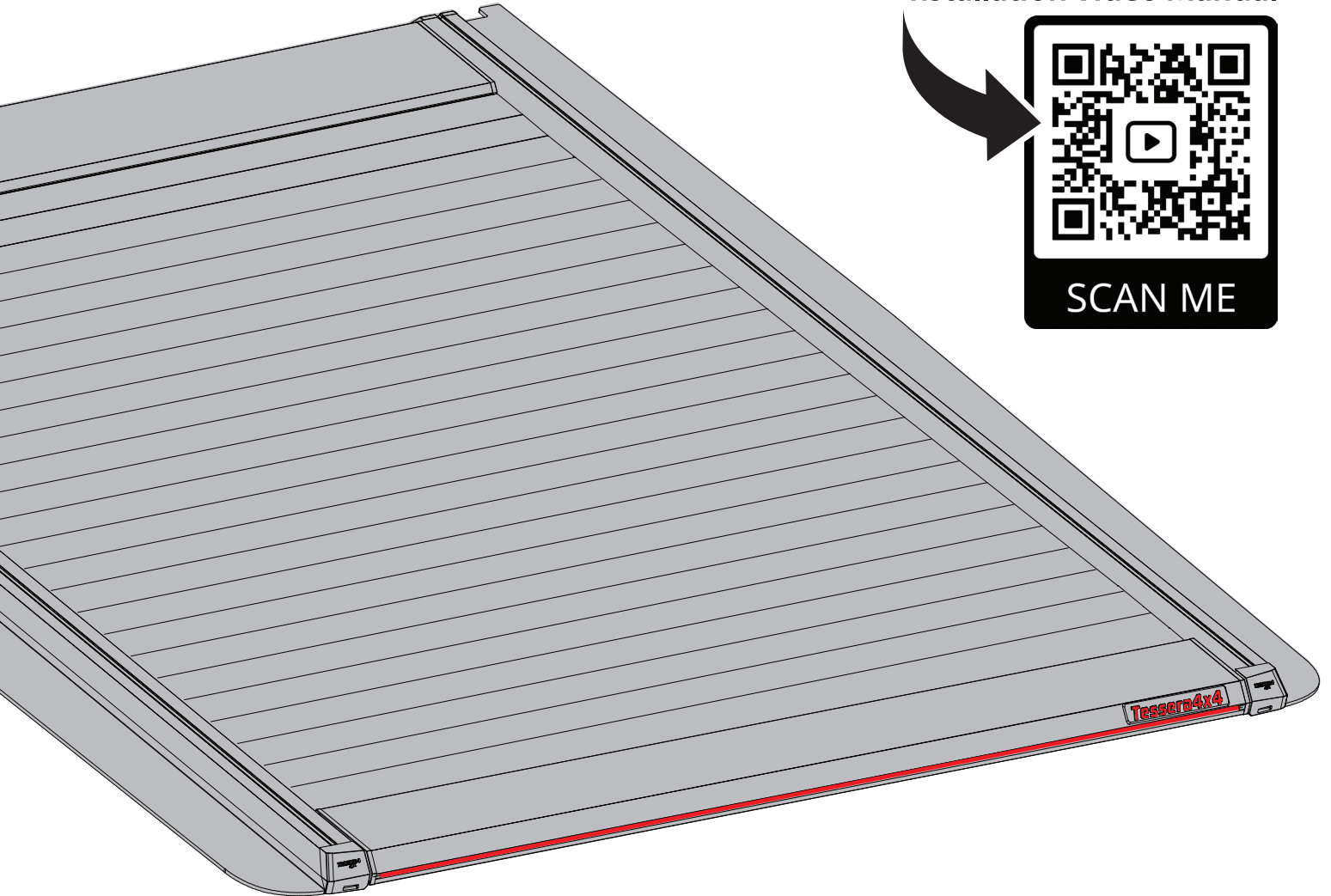


# Tessera Roll+

## Basic Version

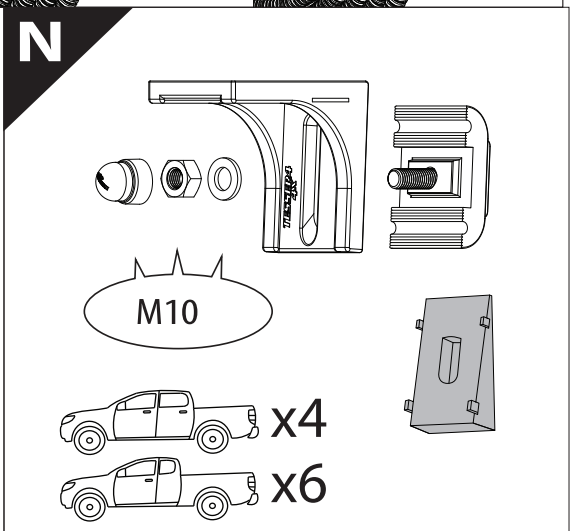
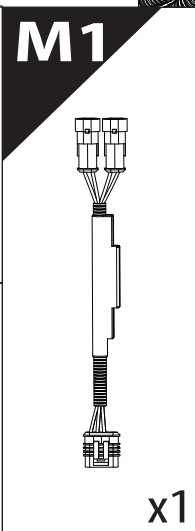
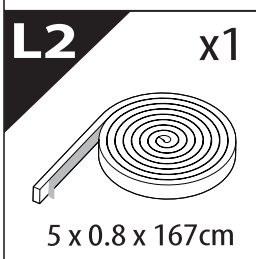
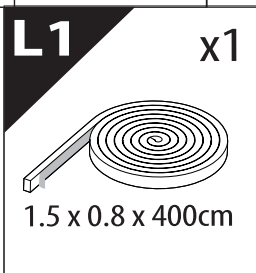
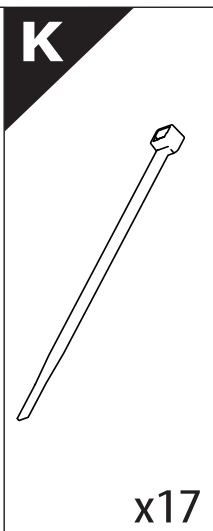
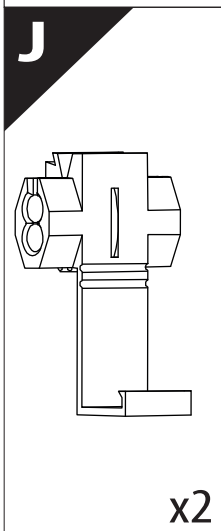
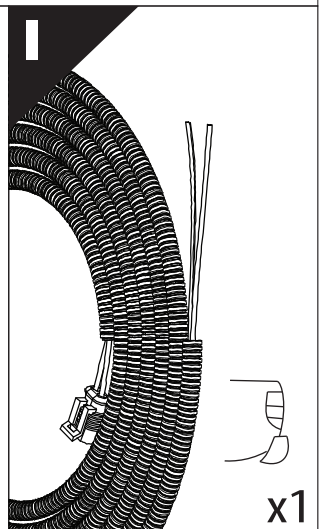
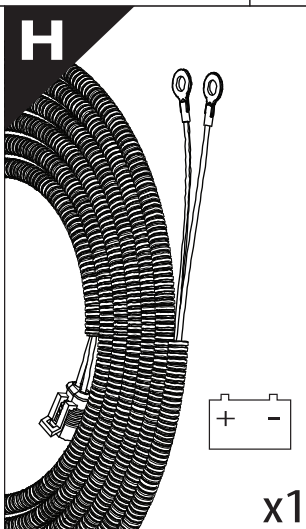
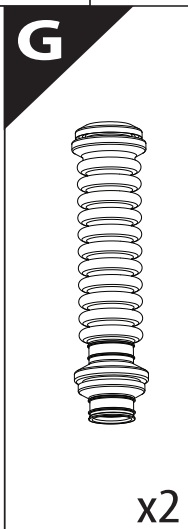
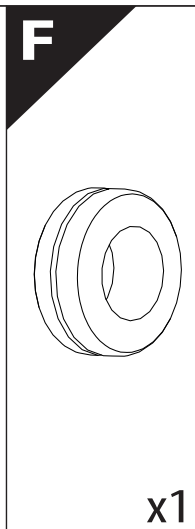
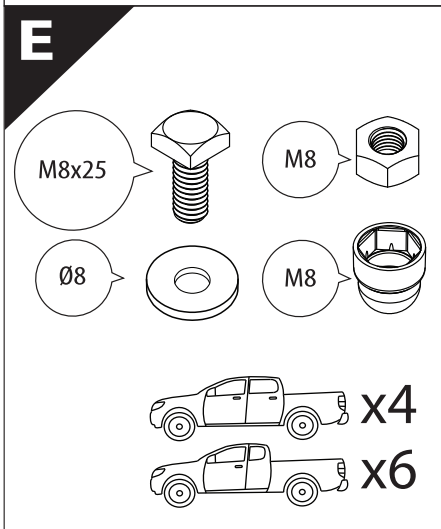
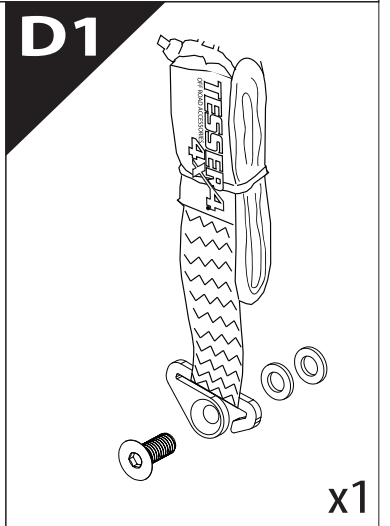
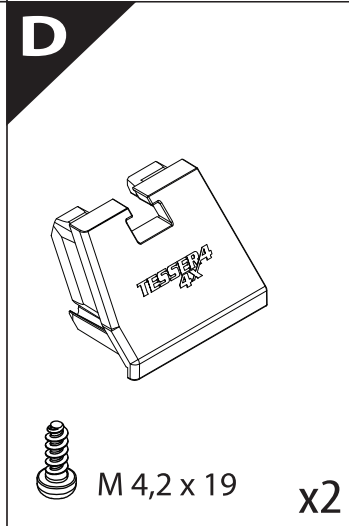
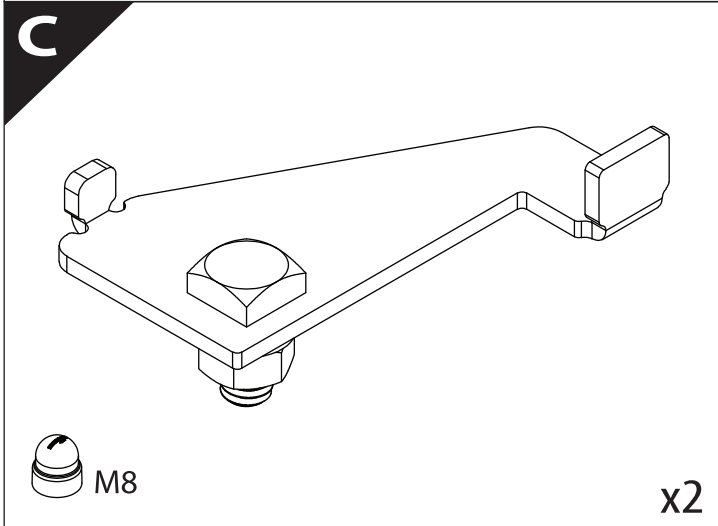
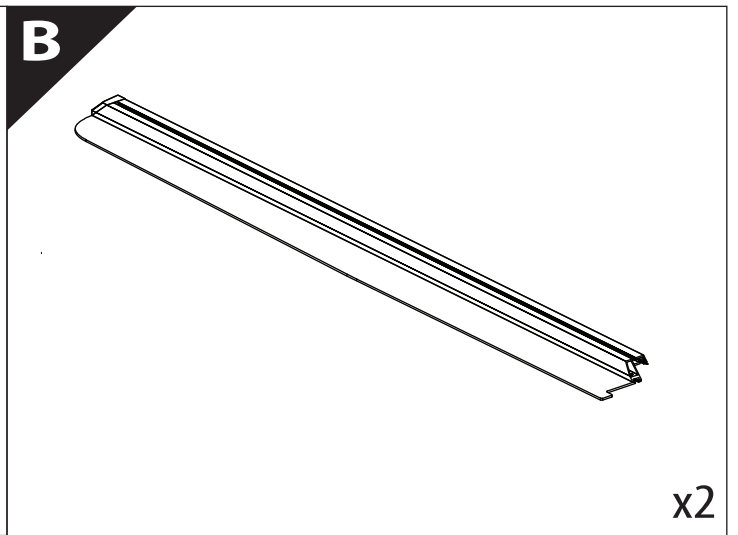
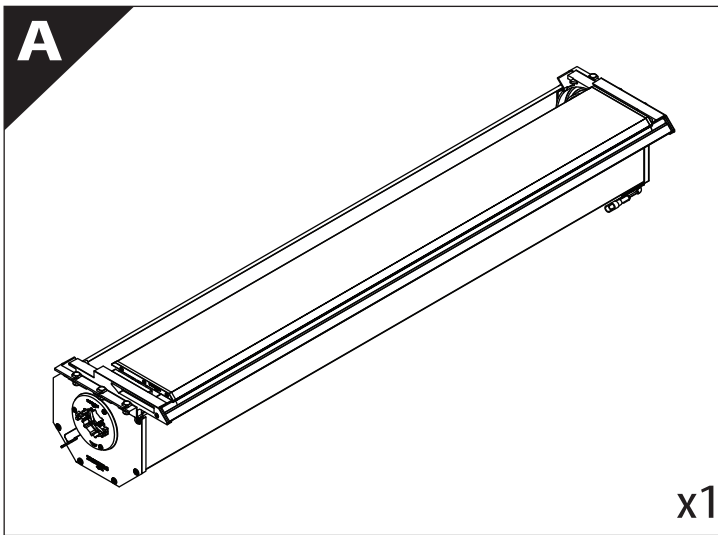
Installation Video Manual

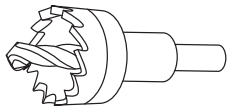


## Installation Manual

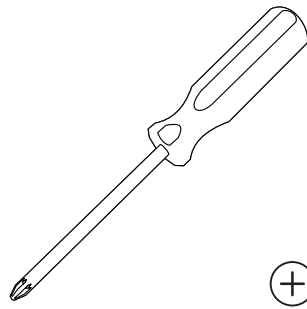
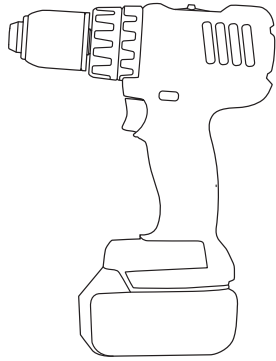
PART NUMBER(S)	Model Year
TESS-14041 ROLL	ISUZU DMAX 2021+
TESS-14051 ROLL	
Cab(s)	Installation Time / Weight
Double Cab & Space cab	40-60 minutes / 53-57 kg



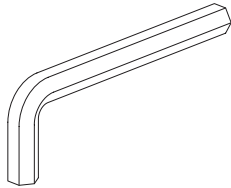
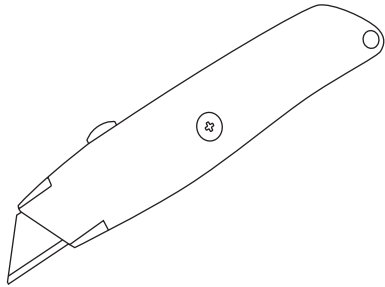
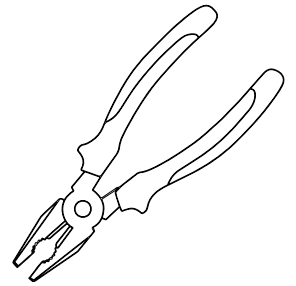




Ø 25 mm / Ø 40 mm

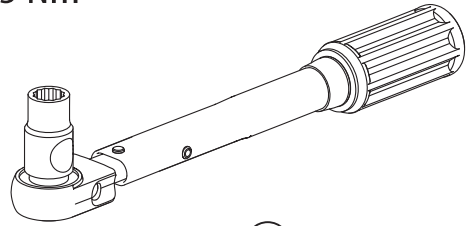


+



4 mm

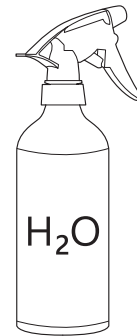
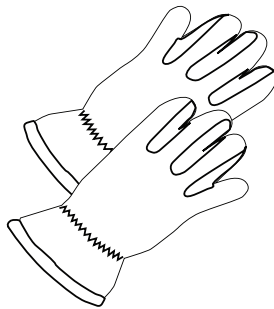
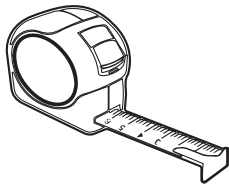
1 - 25 Nm



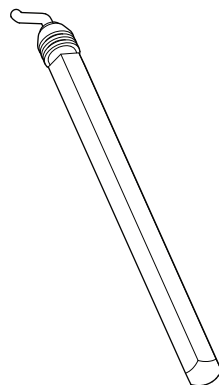
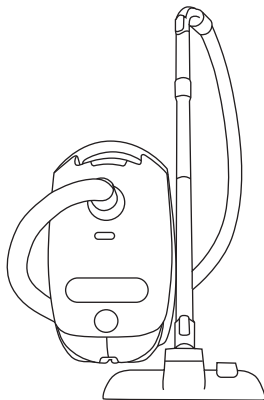
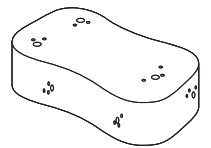
12, 13, 17 mm



ACETONE



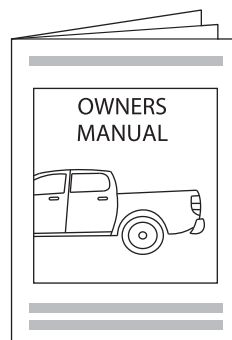
H<sub>2</sub>O



ANTI-RUST

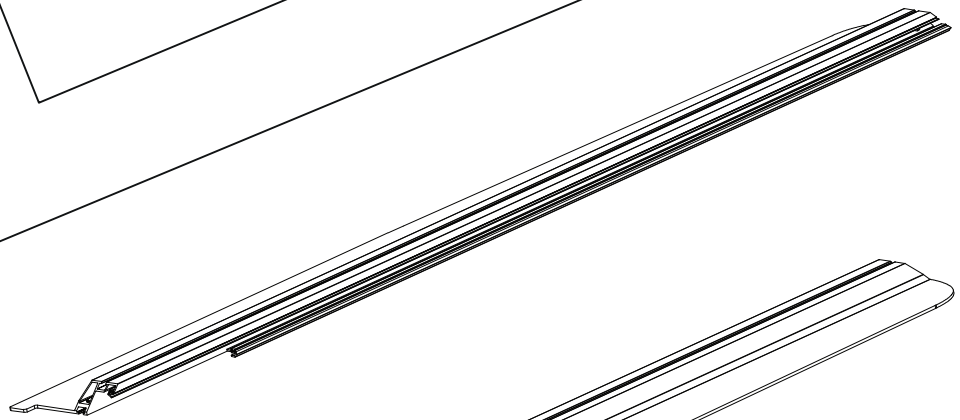
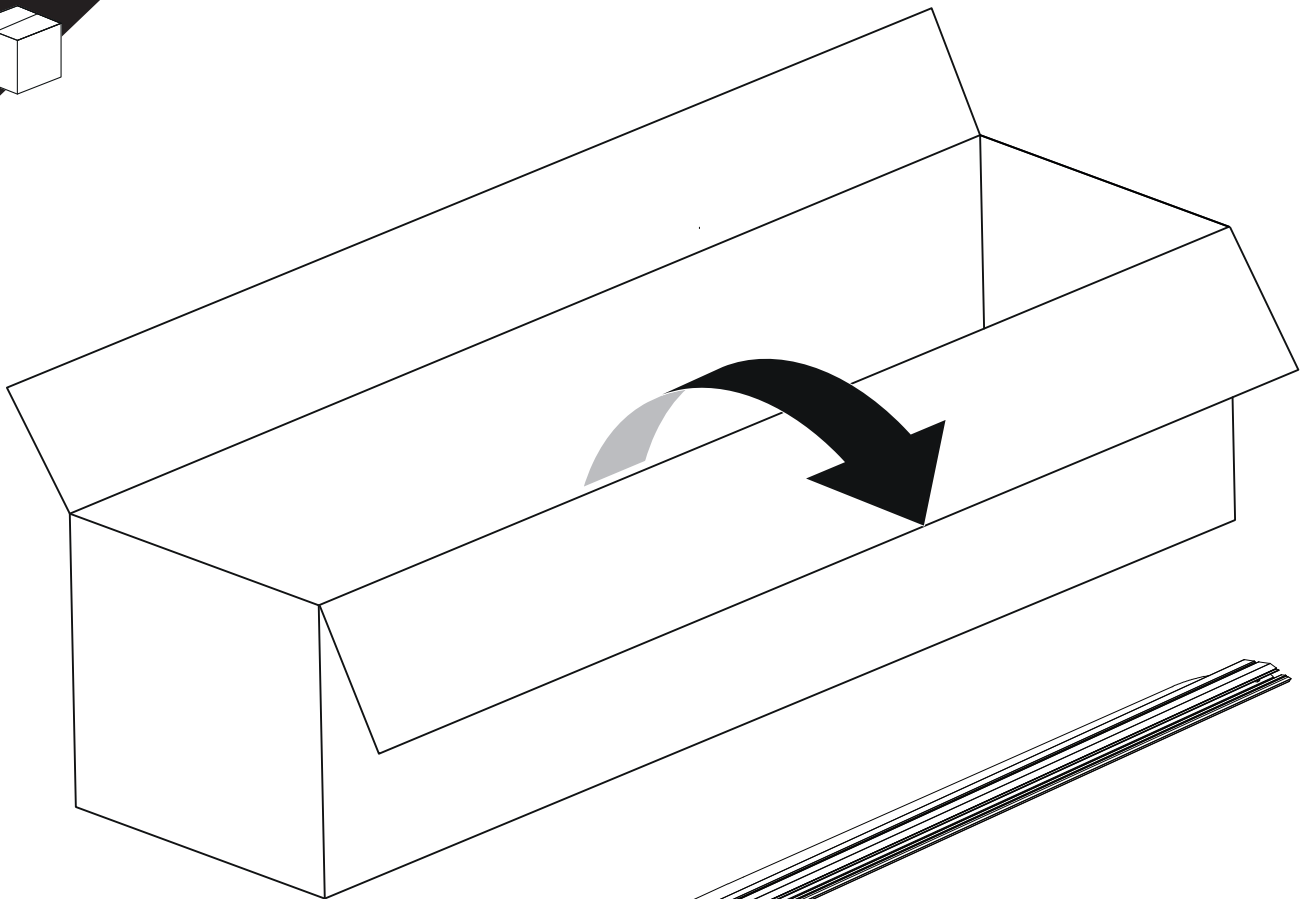


INSTALLATION  
MANUAL

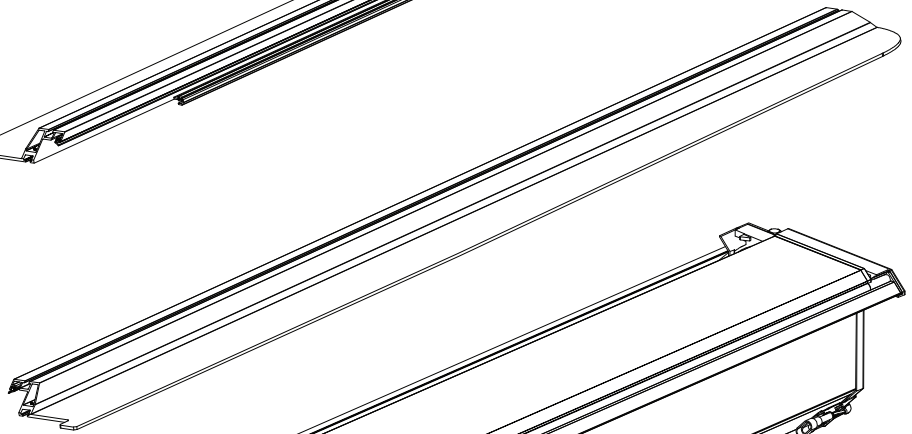


OWNERS  
MANUAL

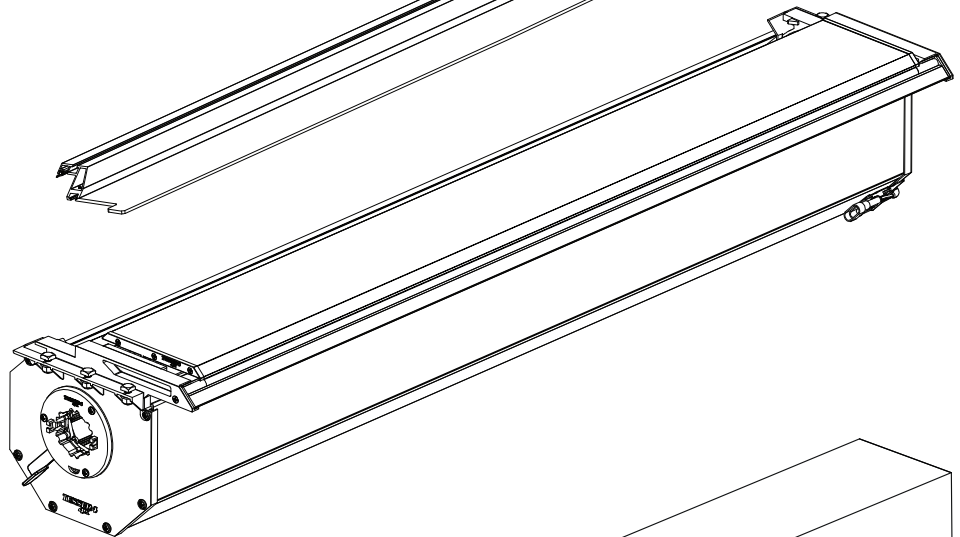
x1



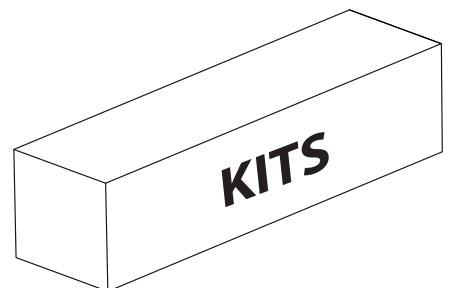
**B**



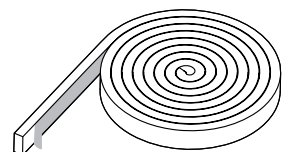
**A**

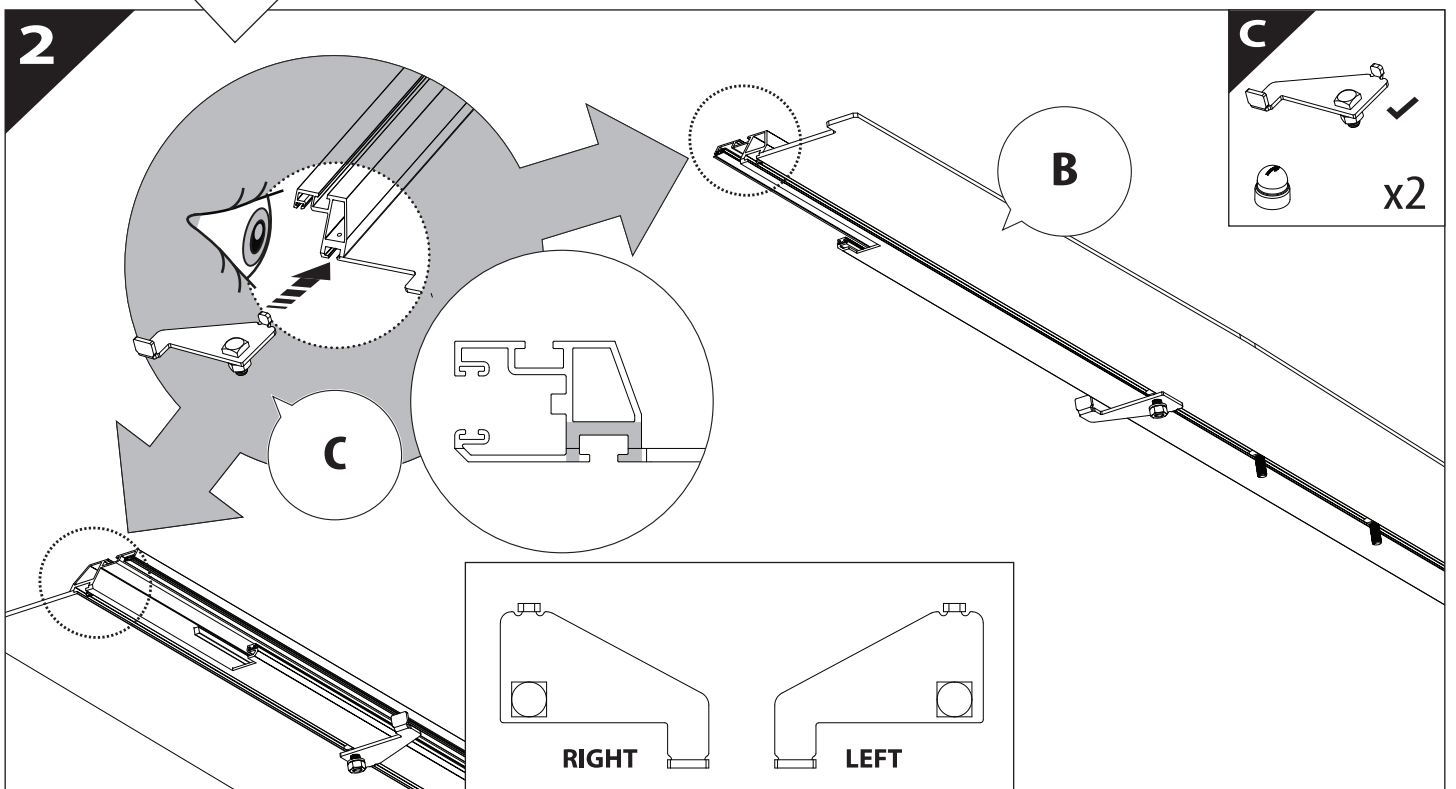
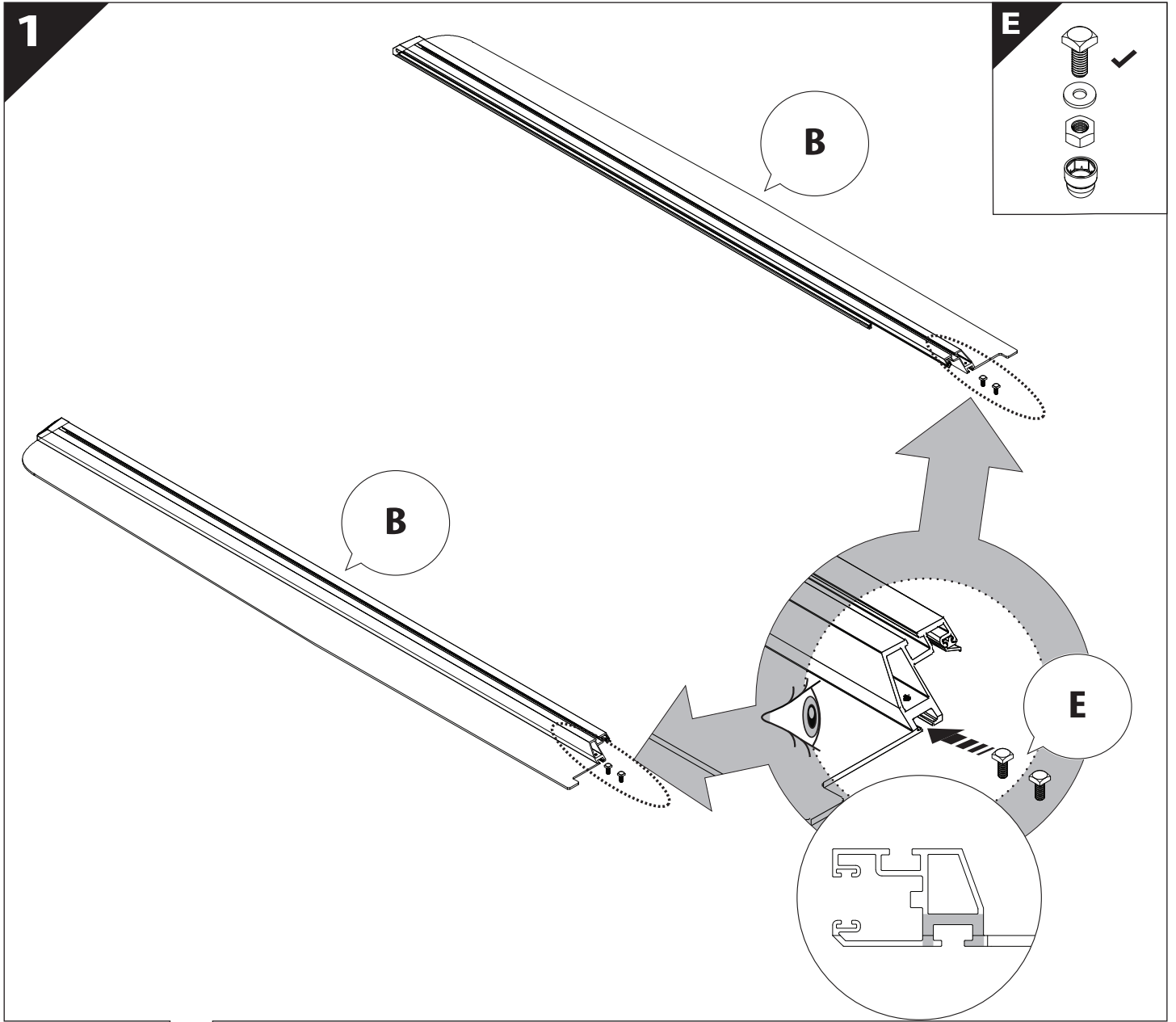


**KITS**

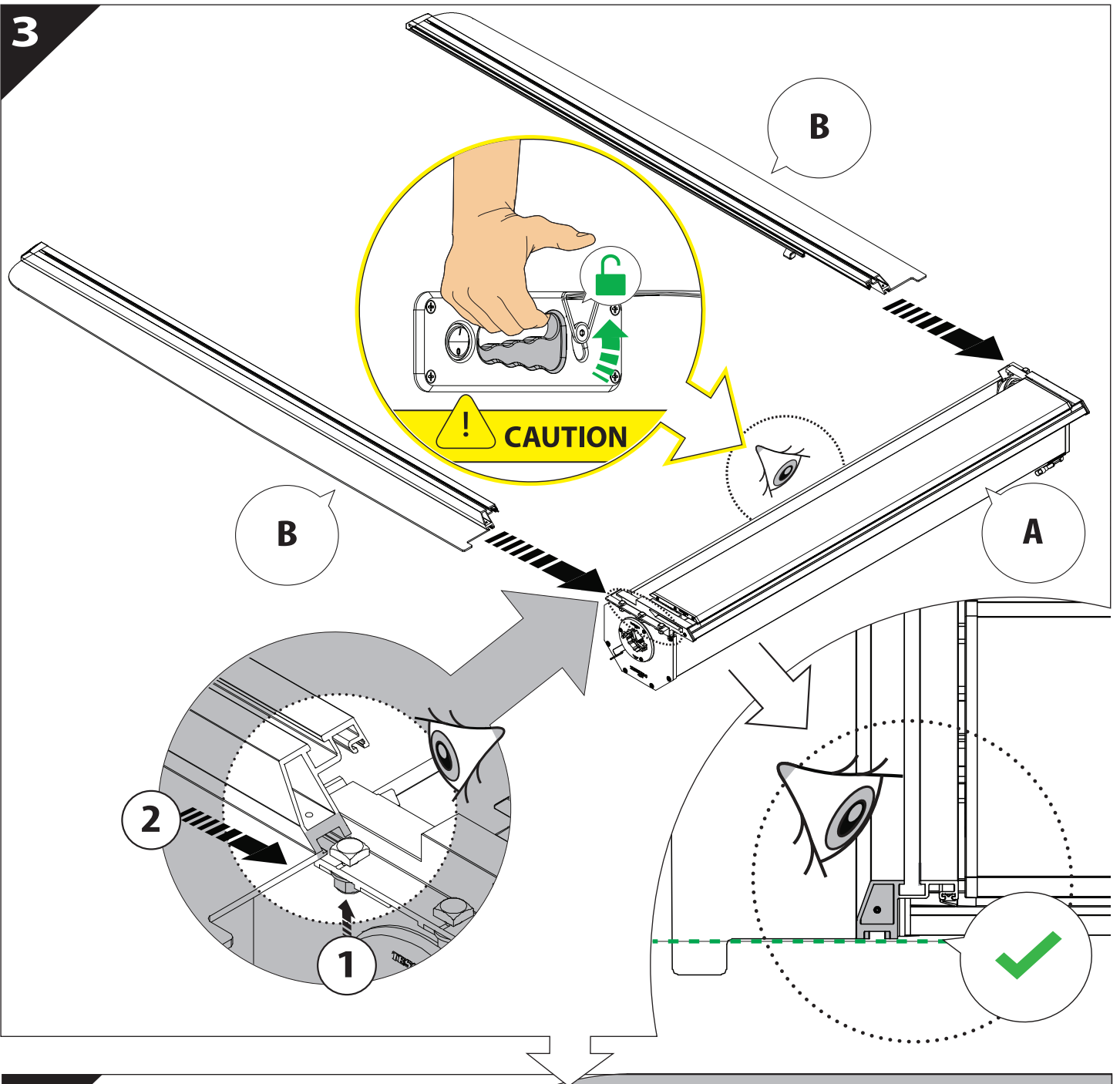


**L**

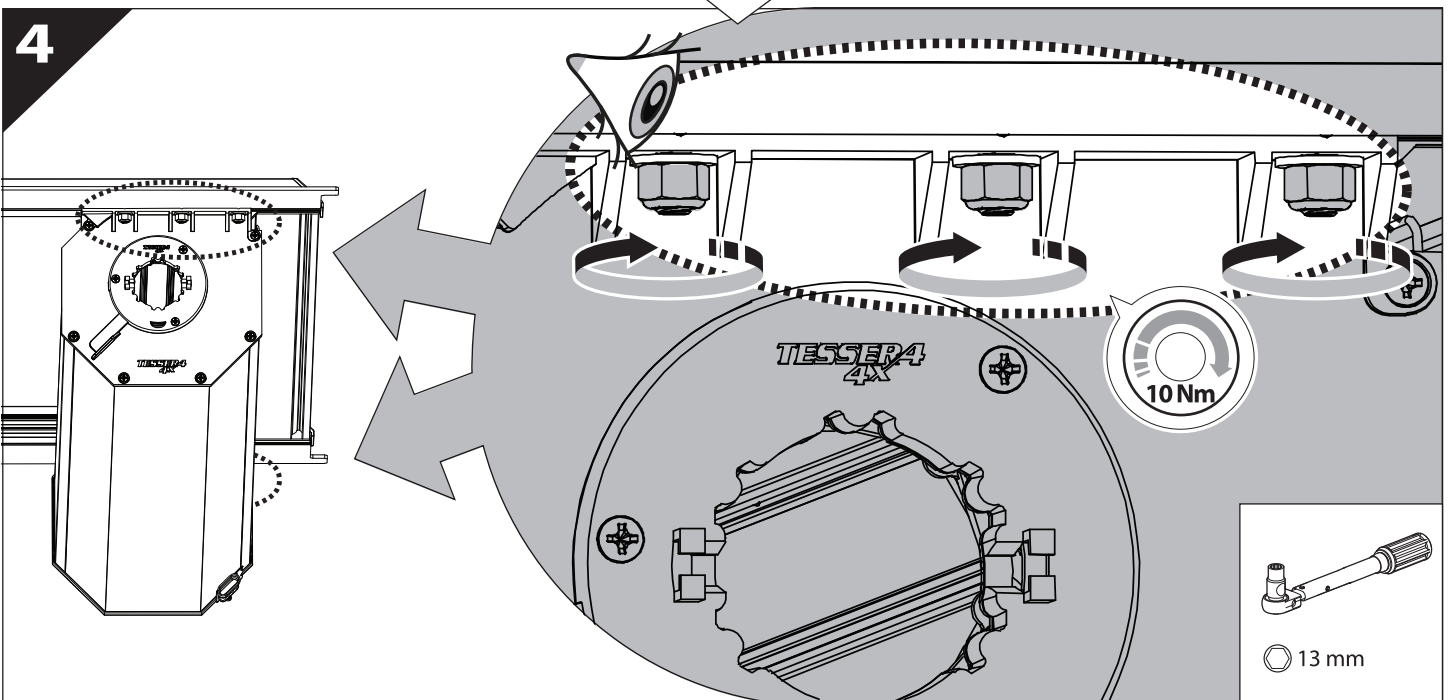


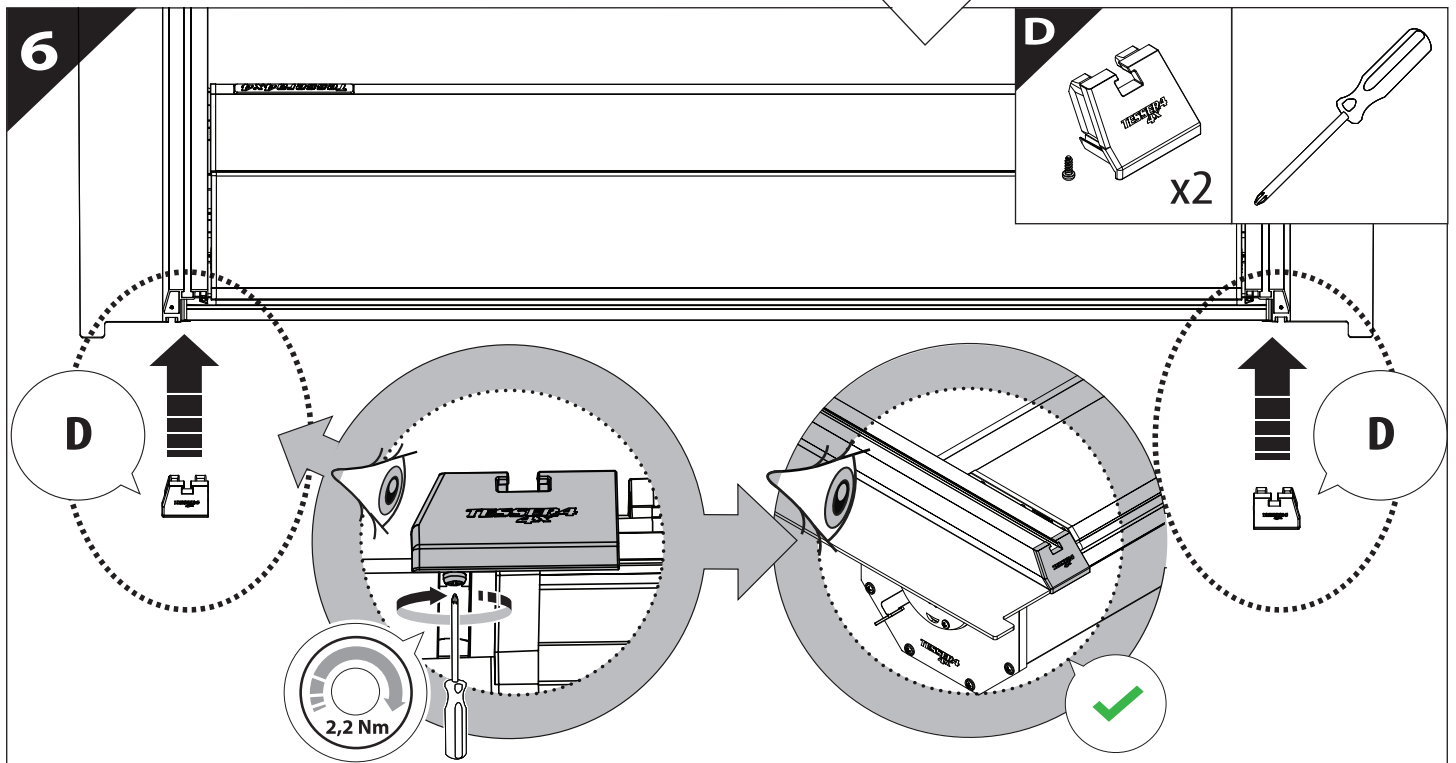
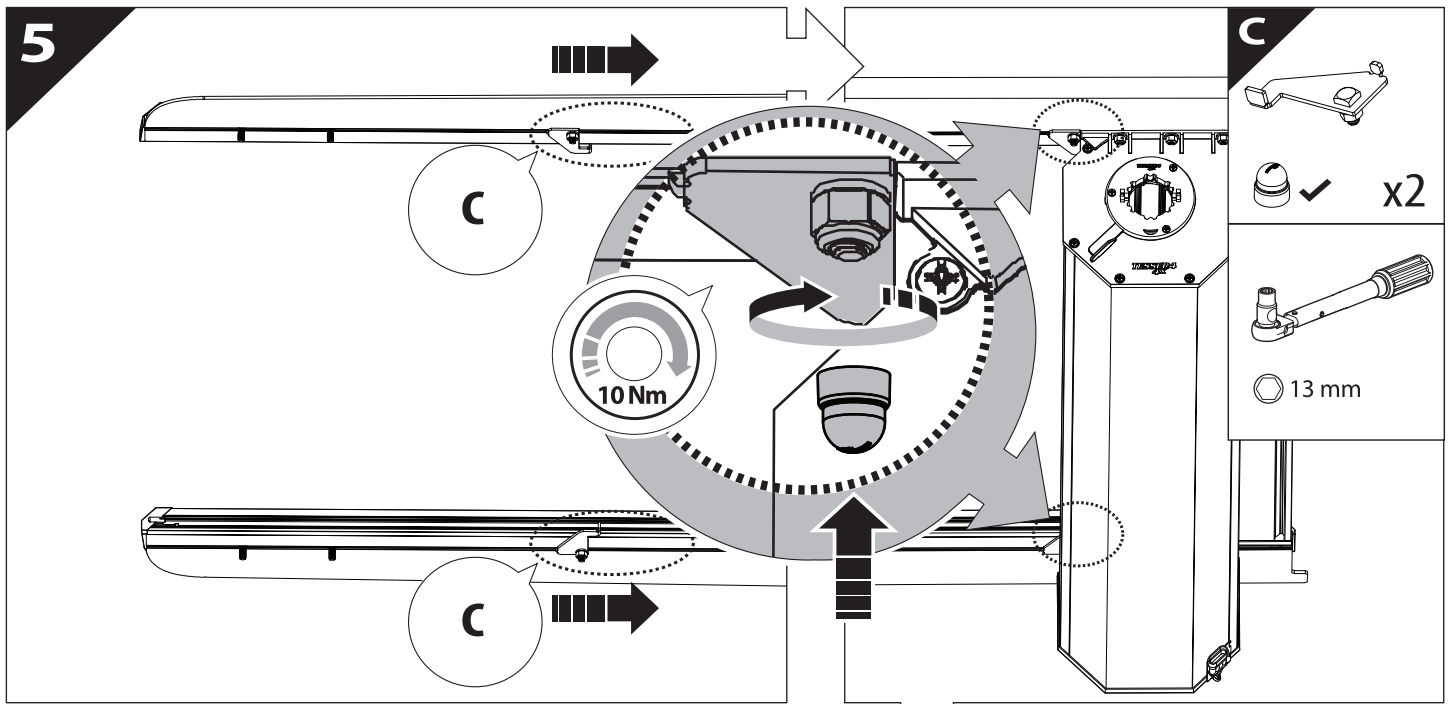


3

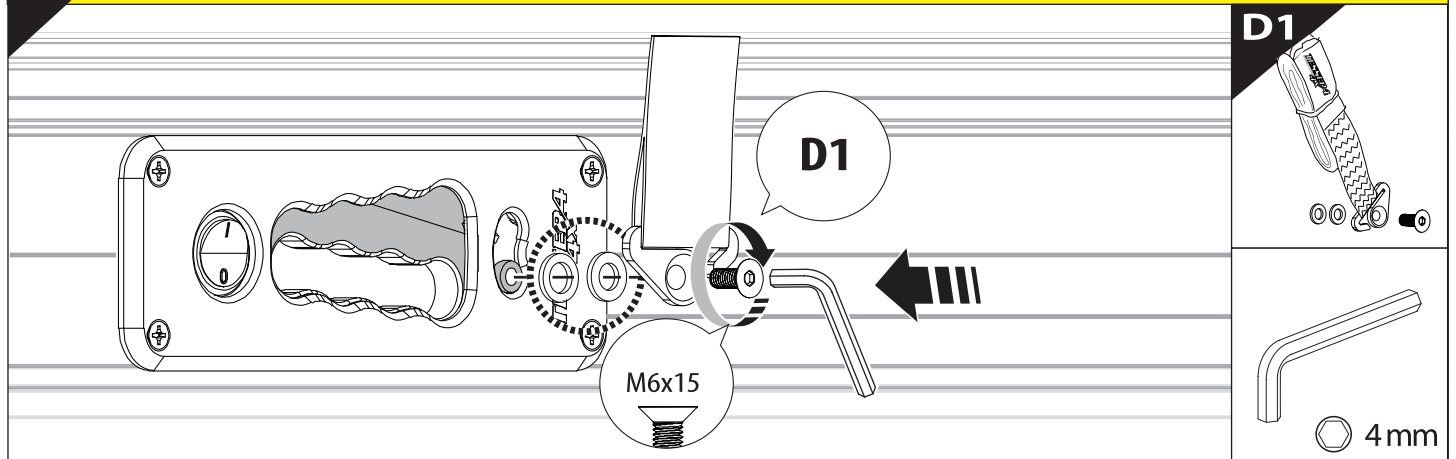


4

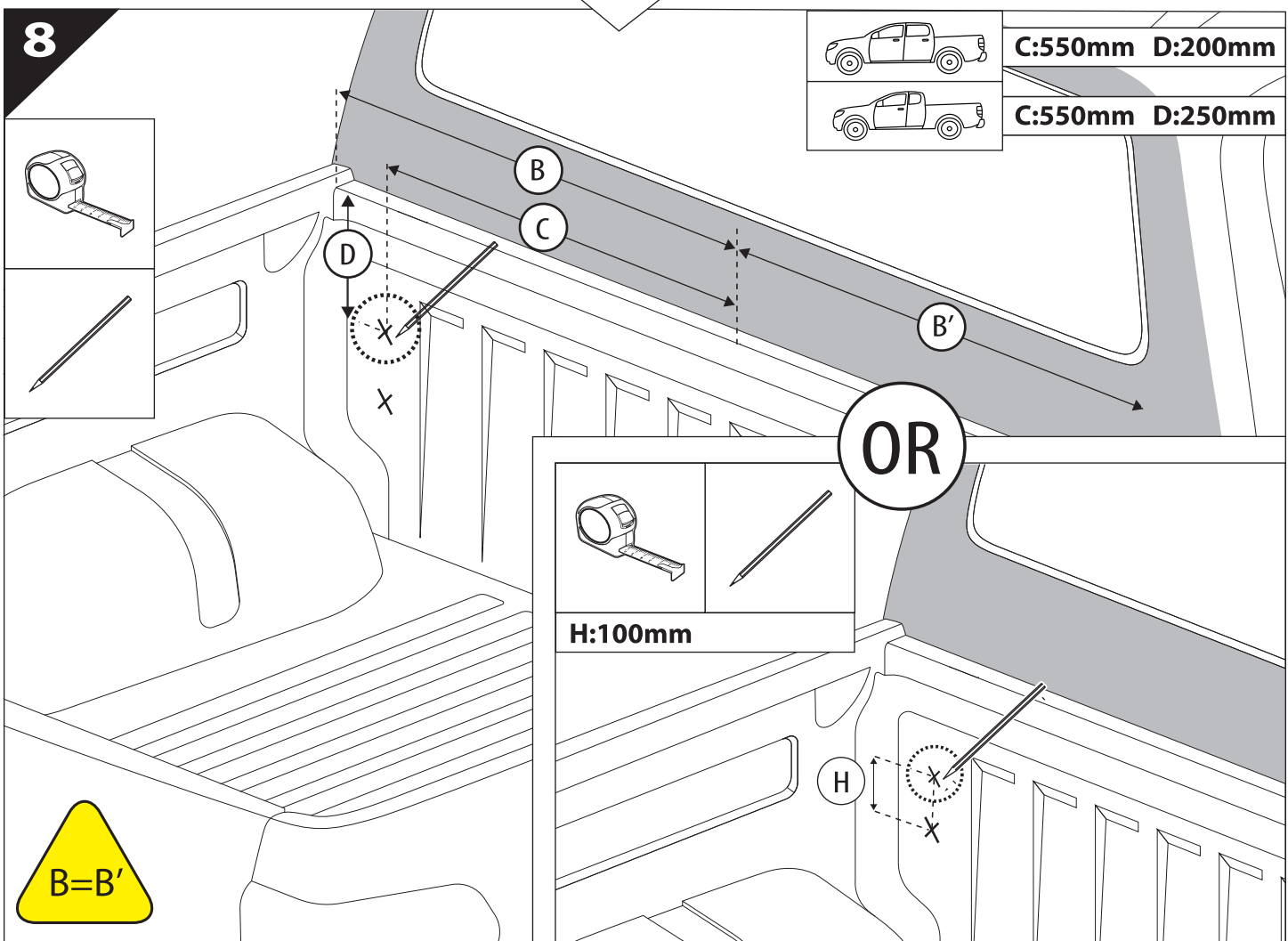
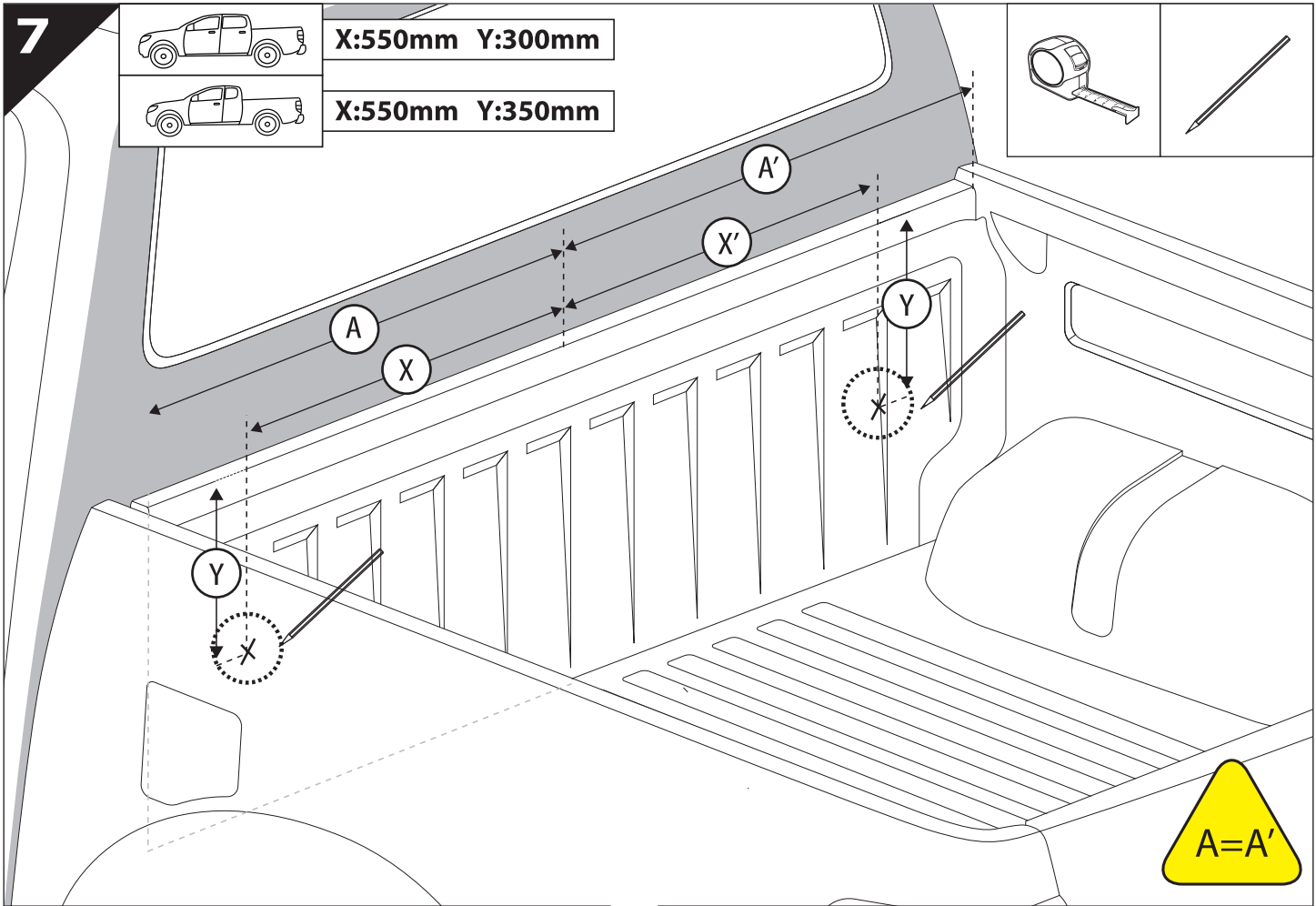




**6.1** **CAUTION** Basic Version ✓ & Basic+S-KIT Version ✓

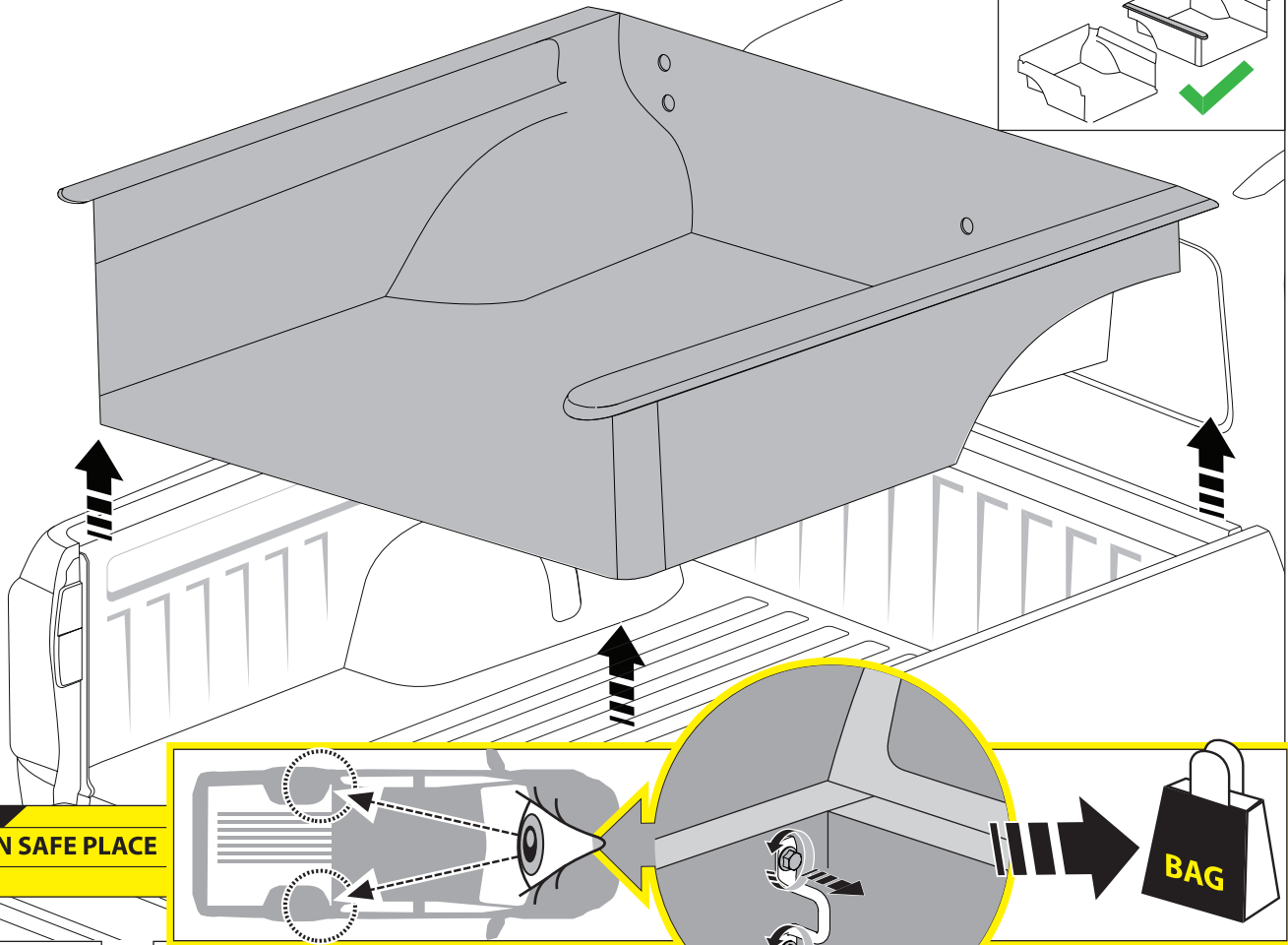
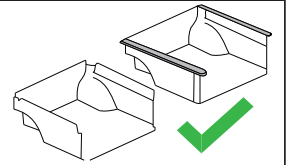








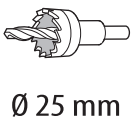
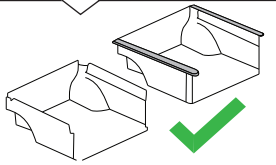
9.2



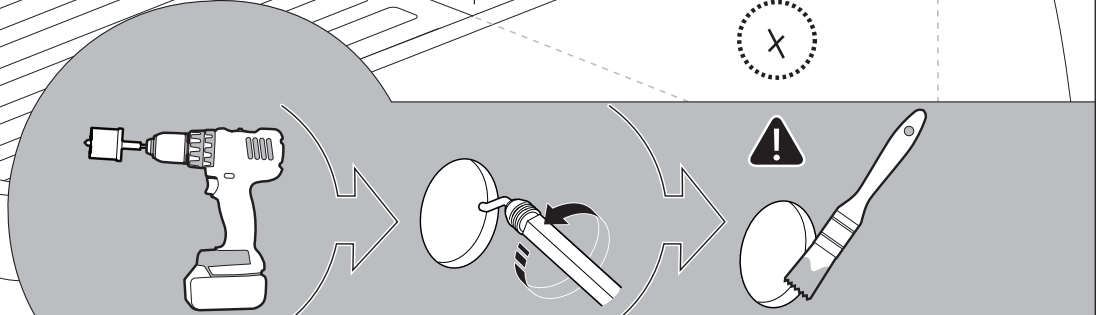
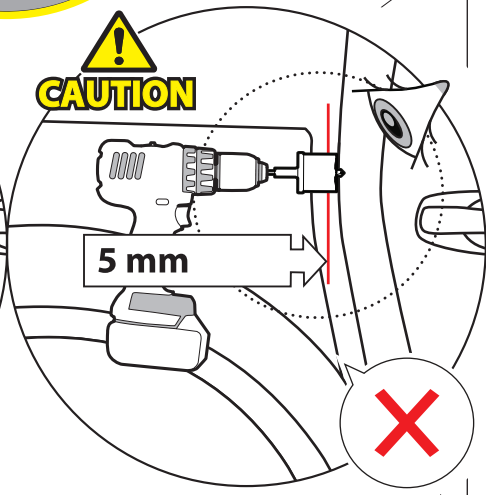
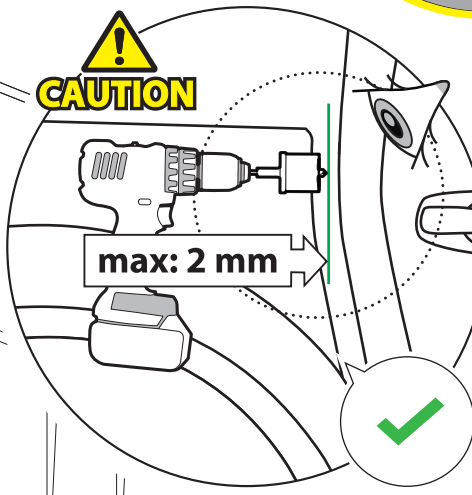
! KEEP IN SAFE PLACE



9.3

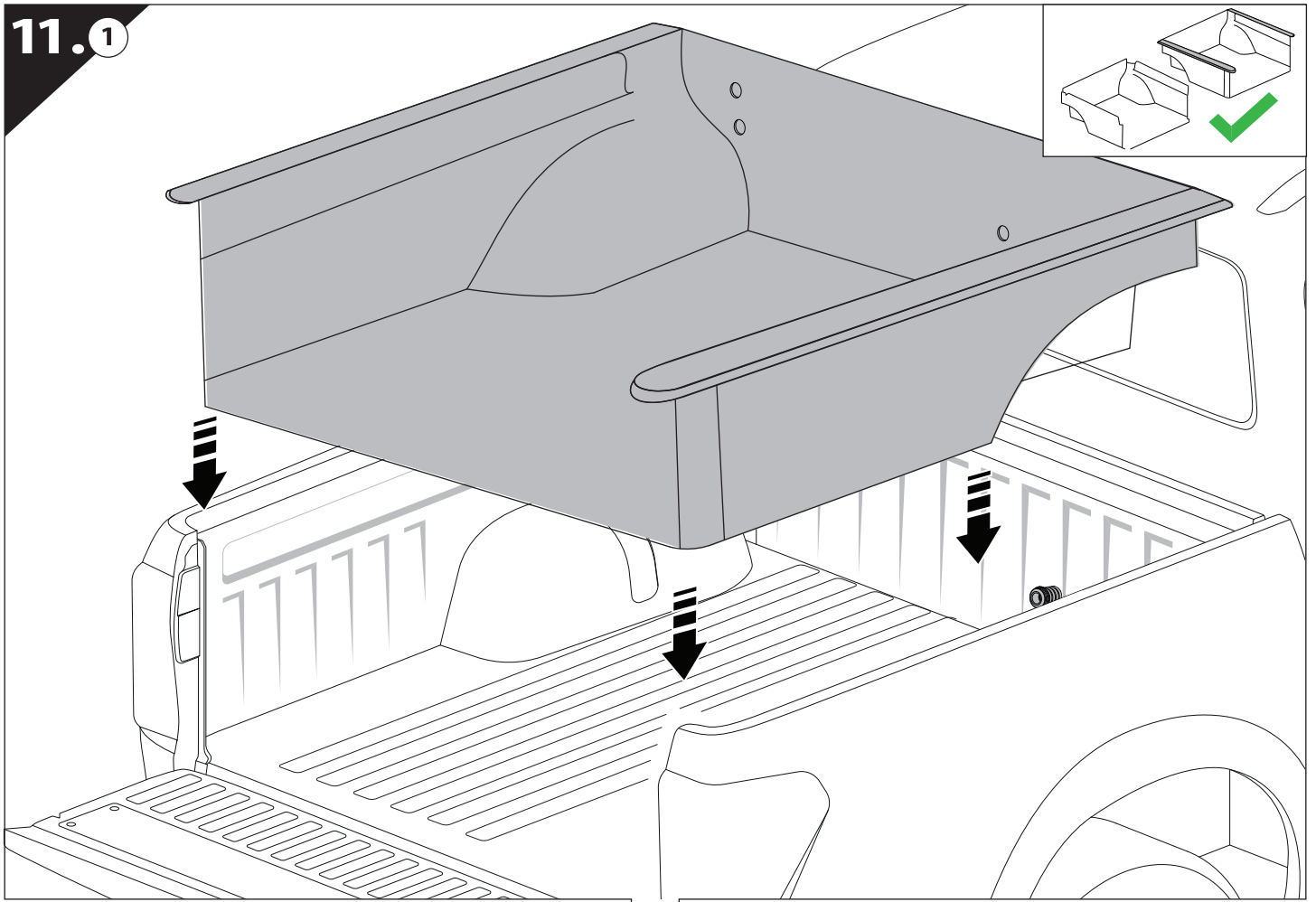


! Rust Protection

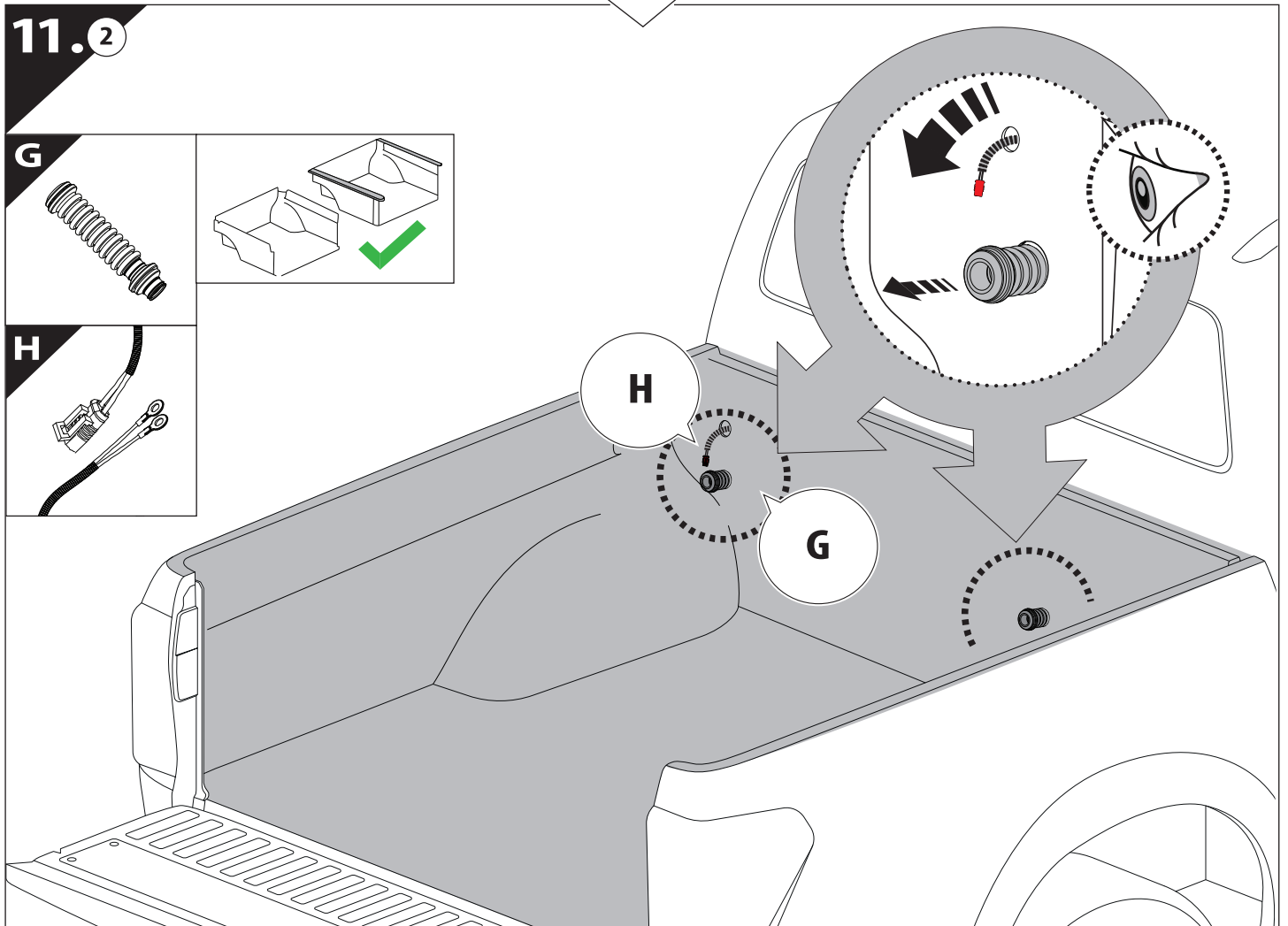


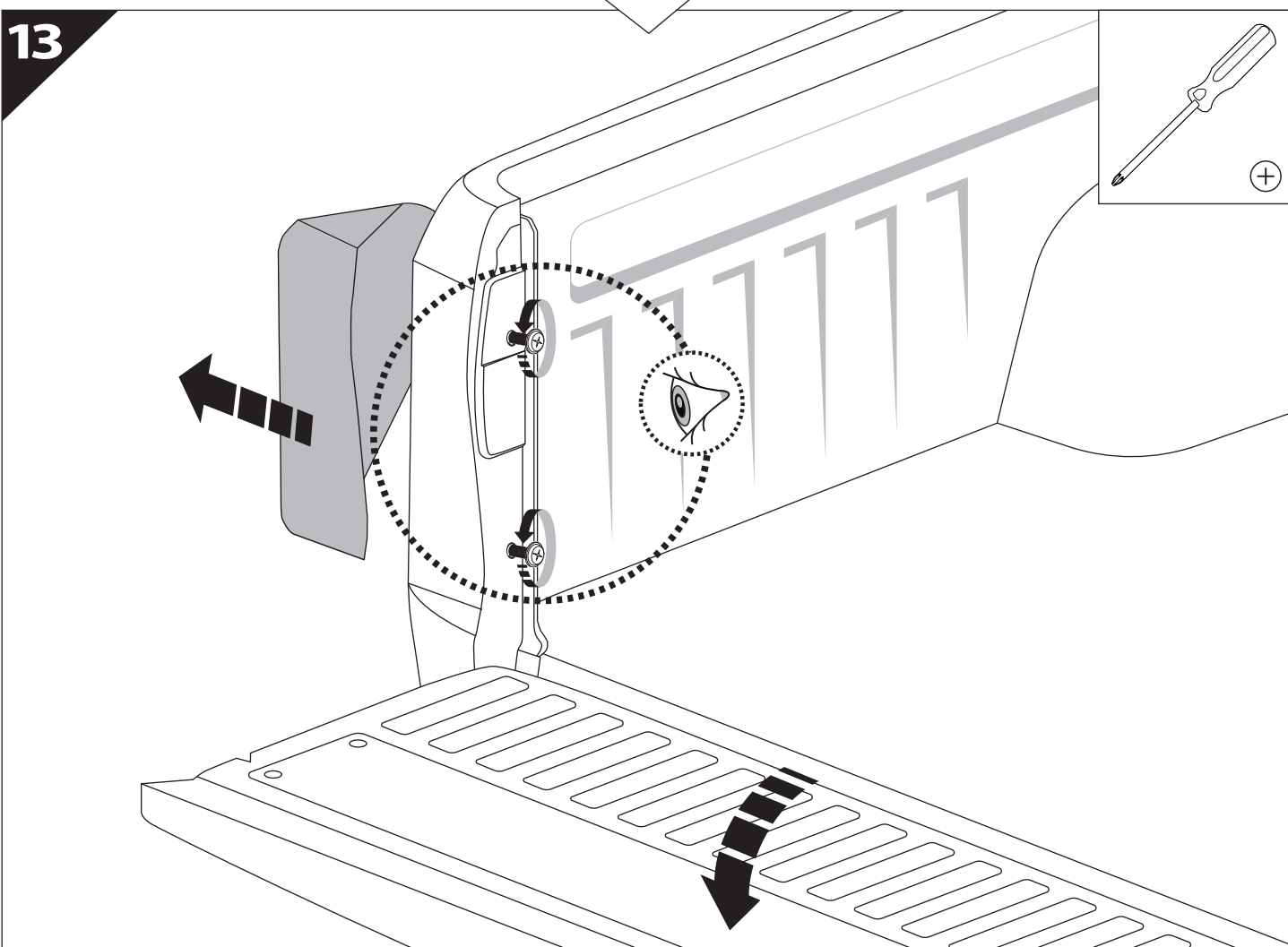
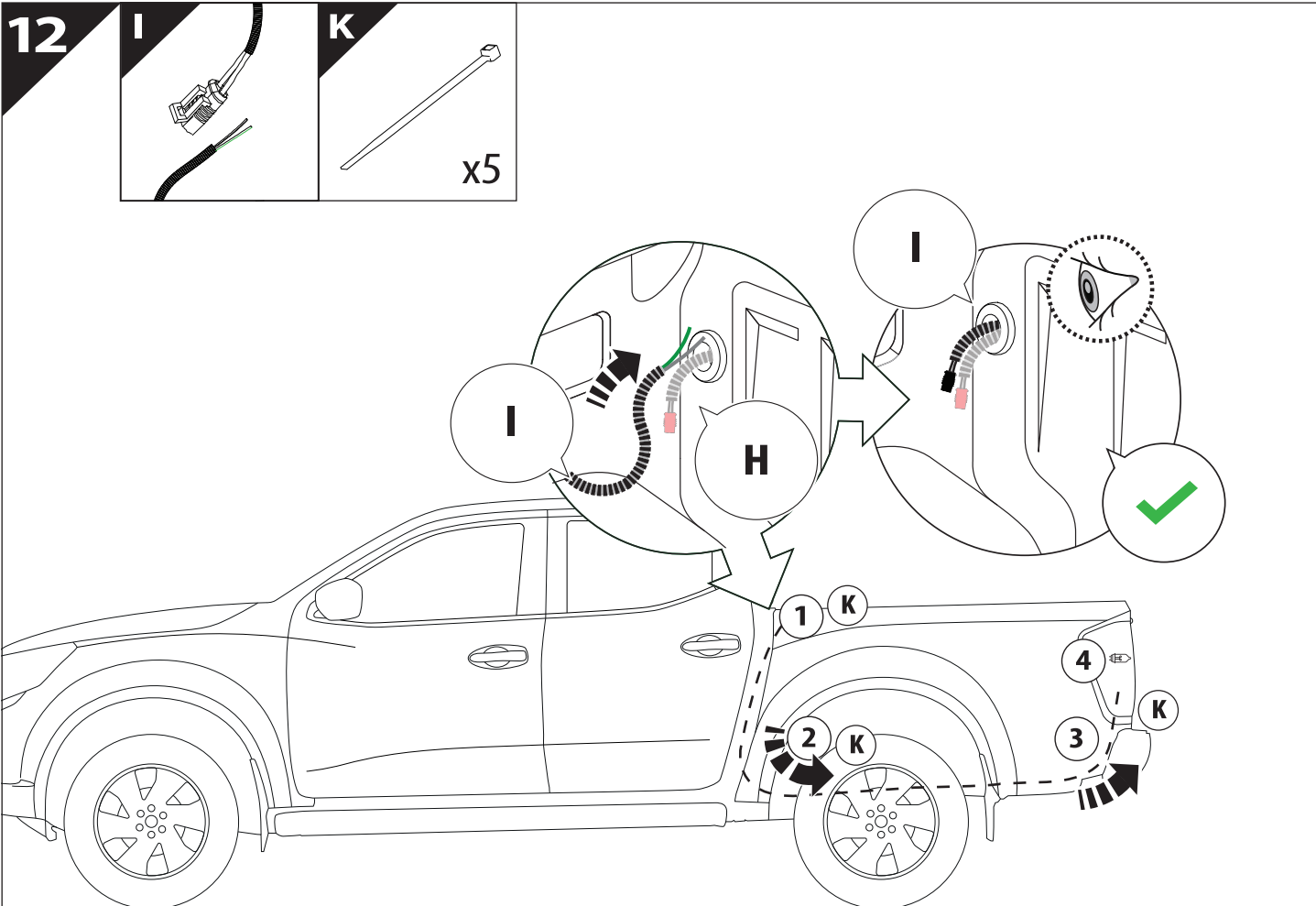


11.1

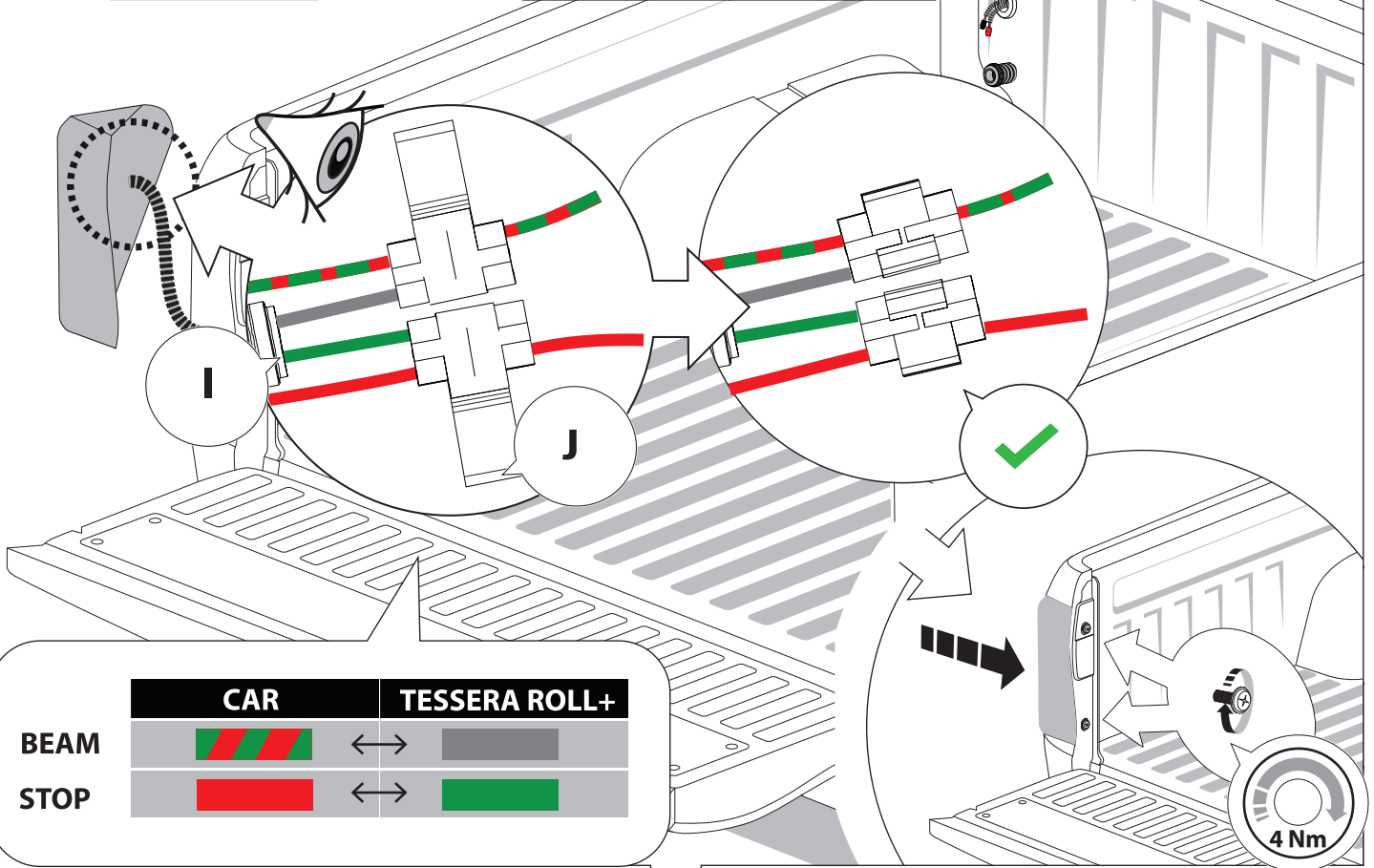
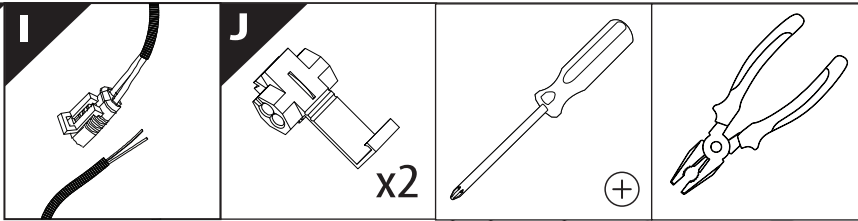


11.2

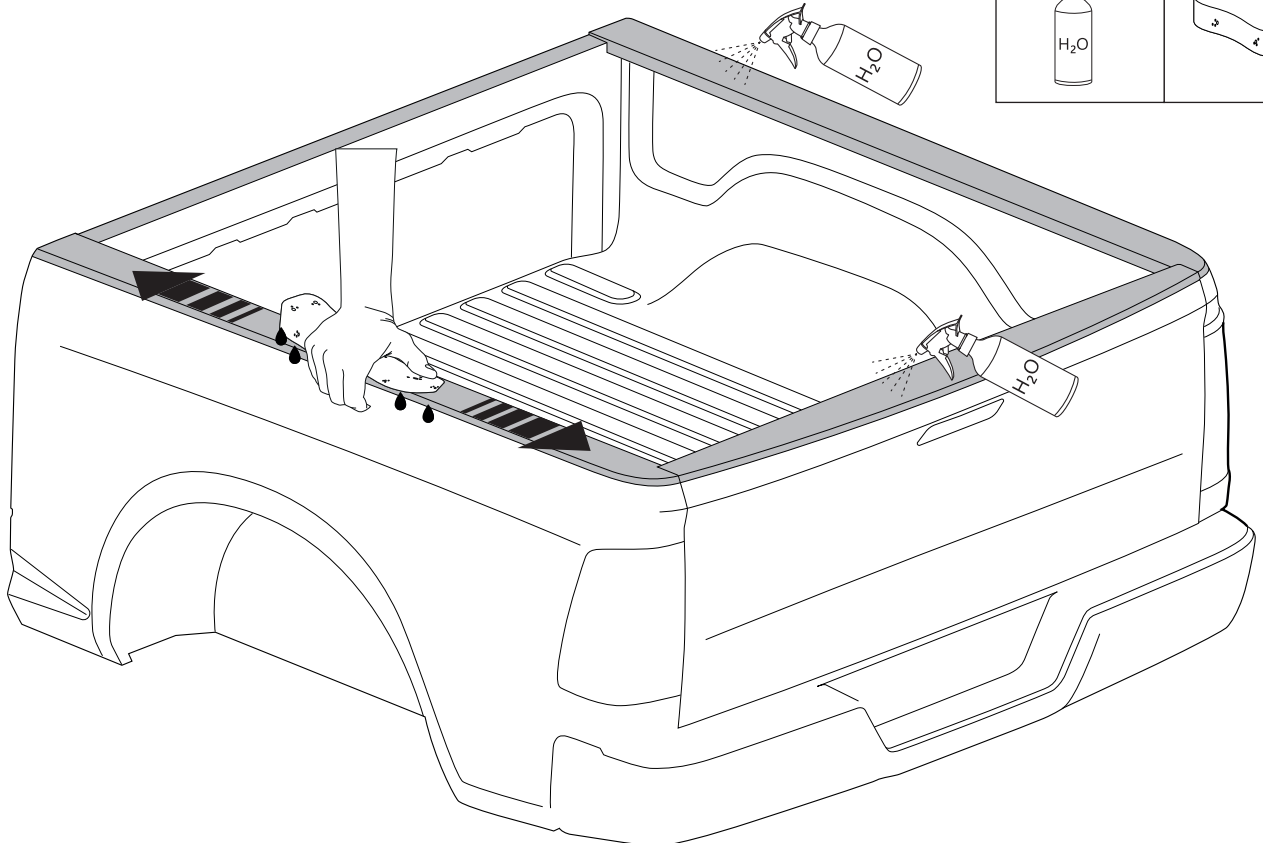
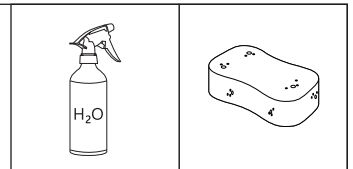




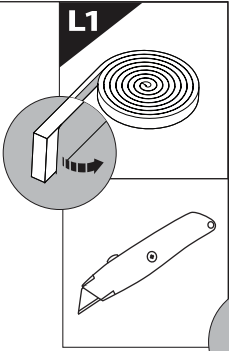
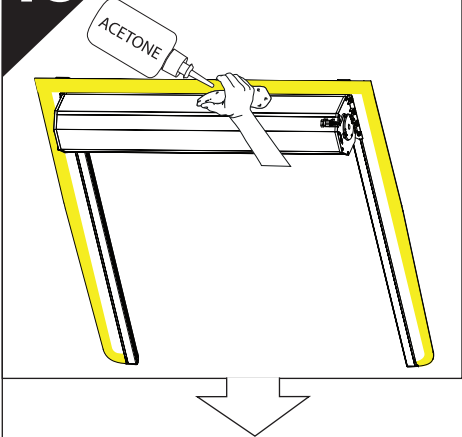
14



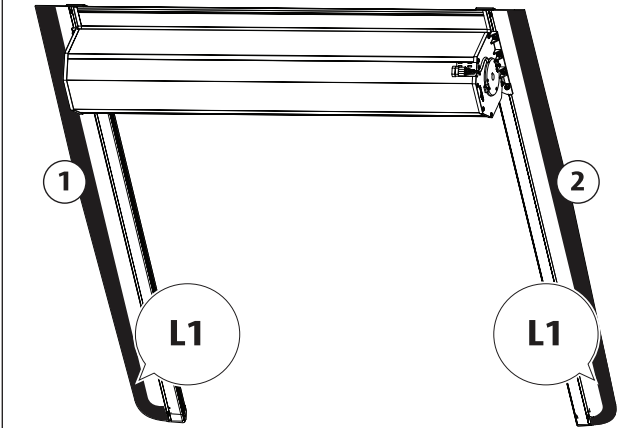
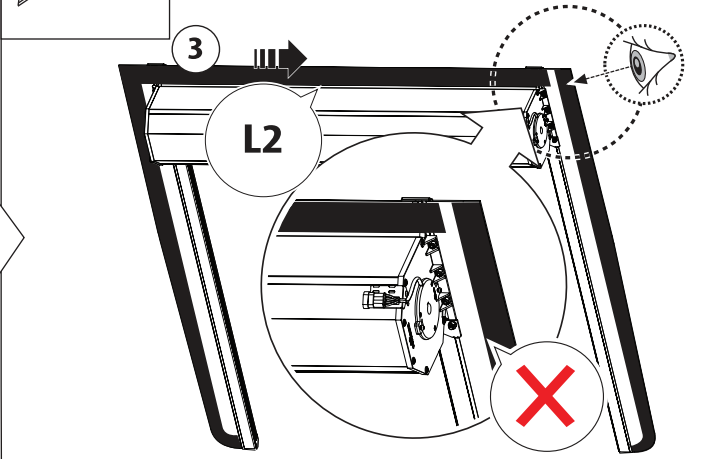
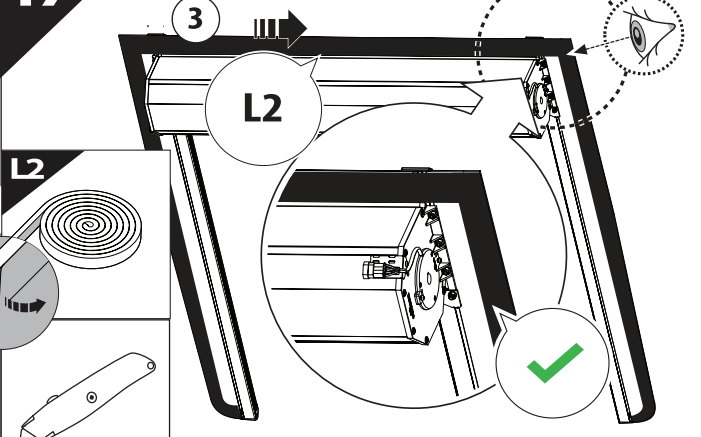
15



16



17



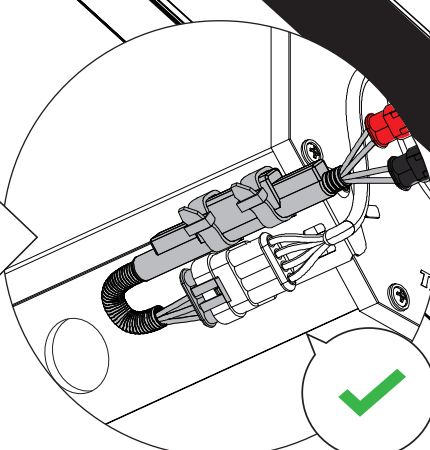
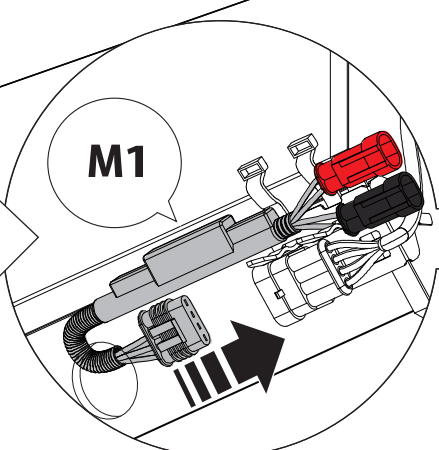
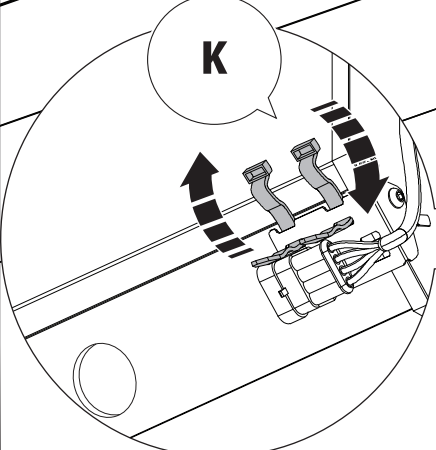
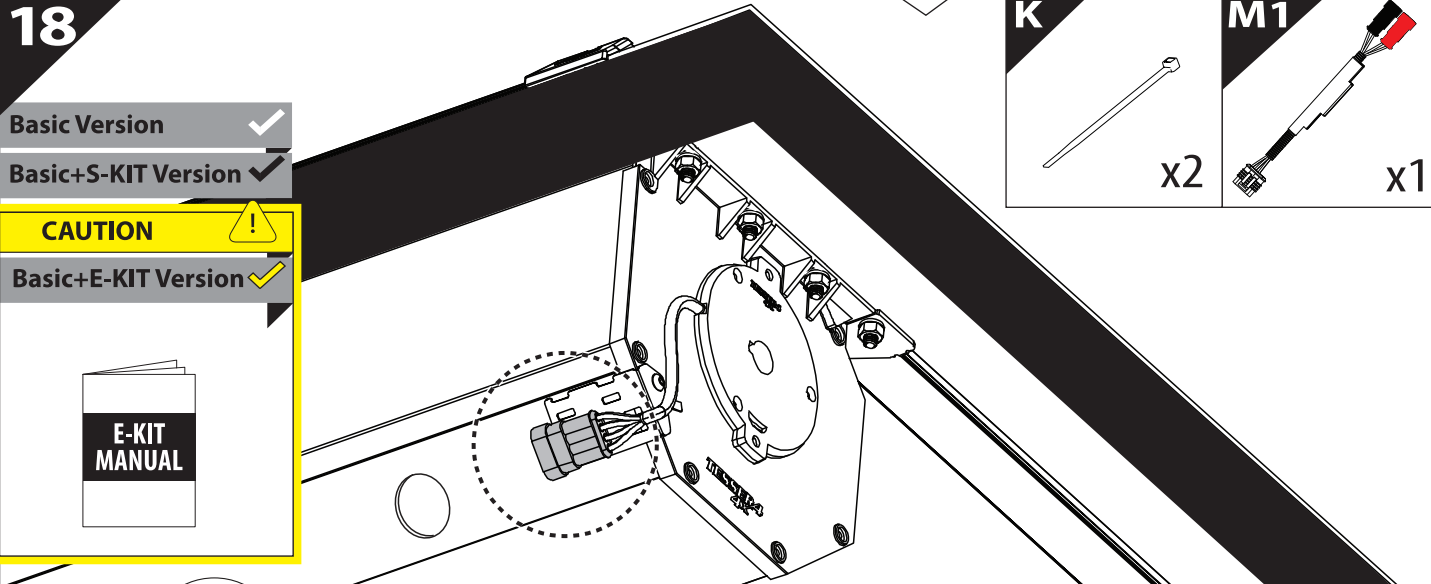
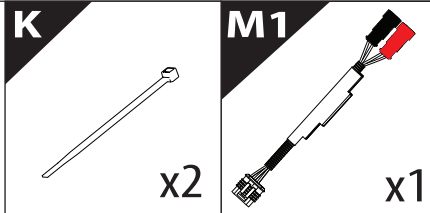
18

Basic Version ✓

Basic+S-KIT Version ✓

**CAUTION** ⚠

Basic+E-KIT Version ✓



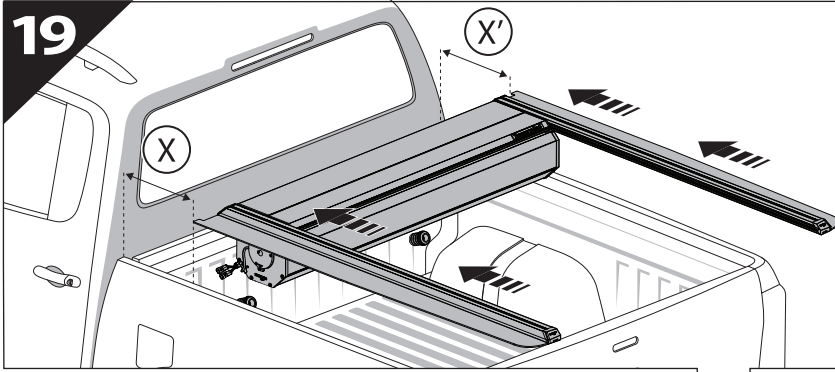


# 18. 1

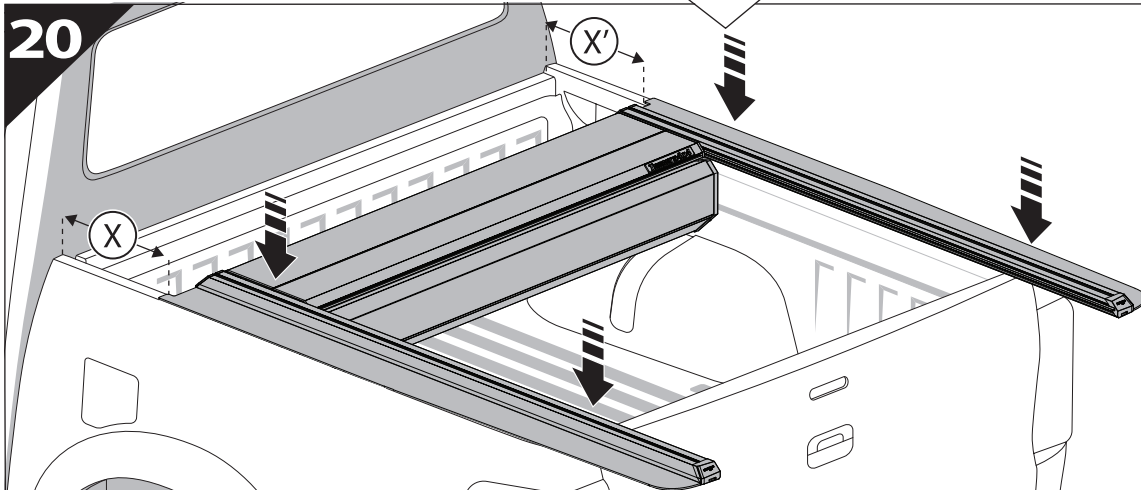
Basic+S-KIT Version

S-KIT  
MANUAL

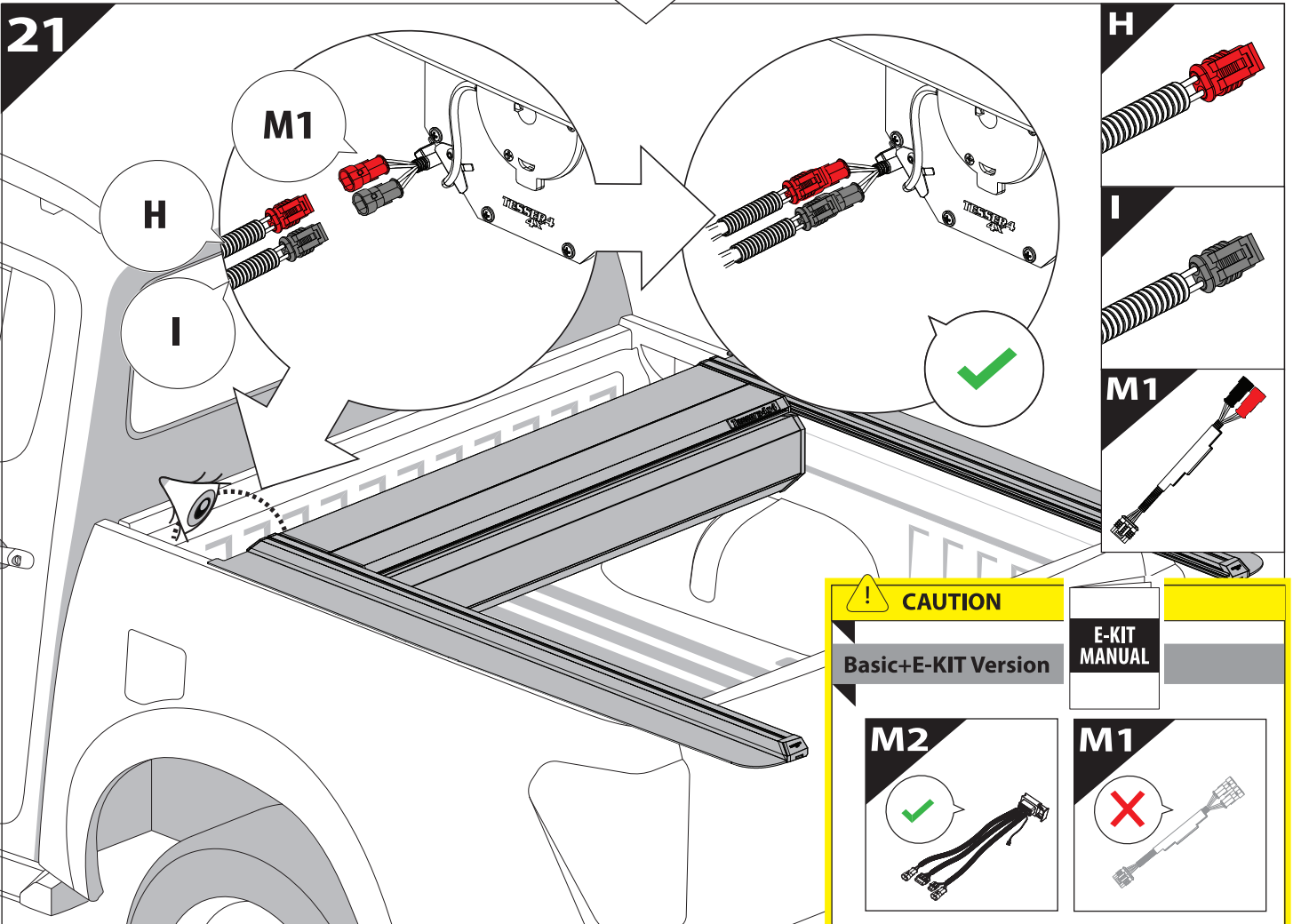
## 19



## 20



## 21



**CAUTION**

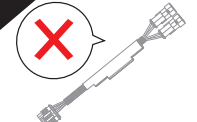
Basic+E-KIT Version

E-KIT  
MANUAL

**M2**

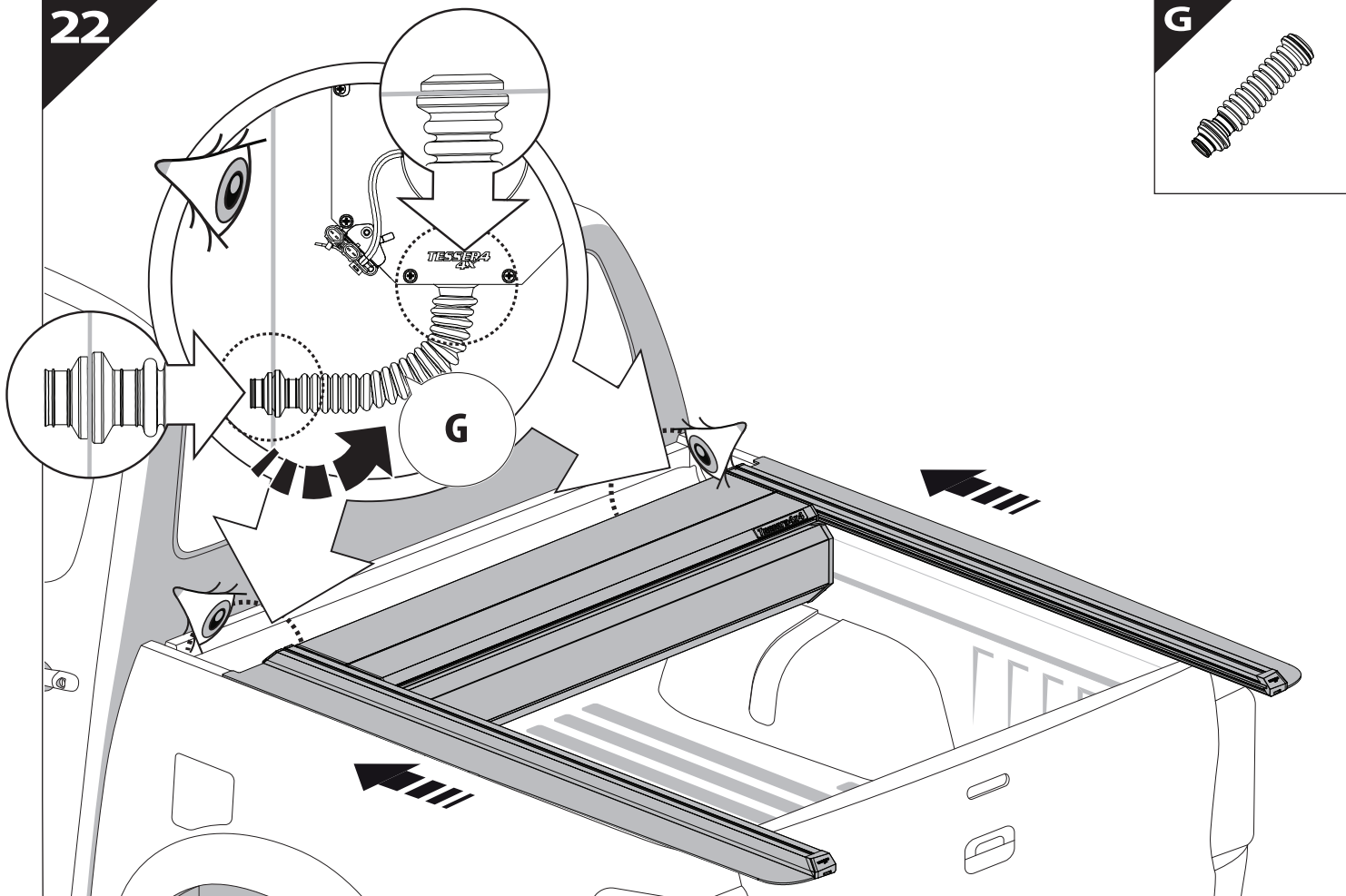


**M1**



22

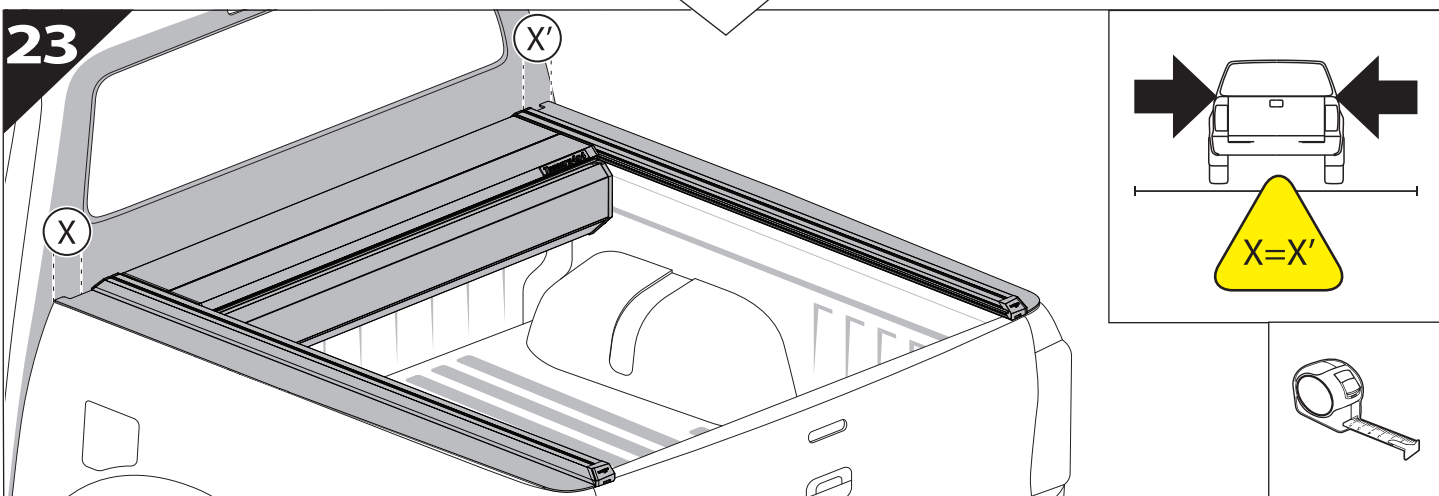
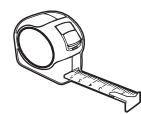
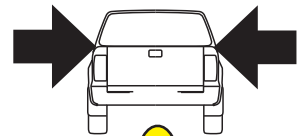
G



23

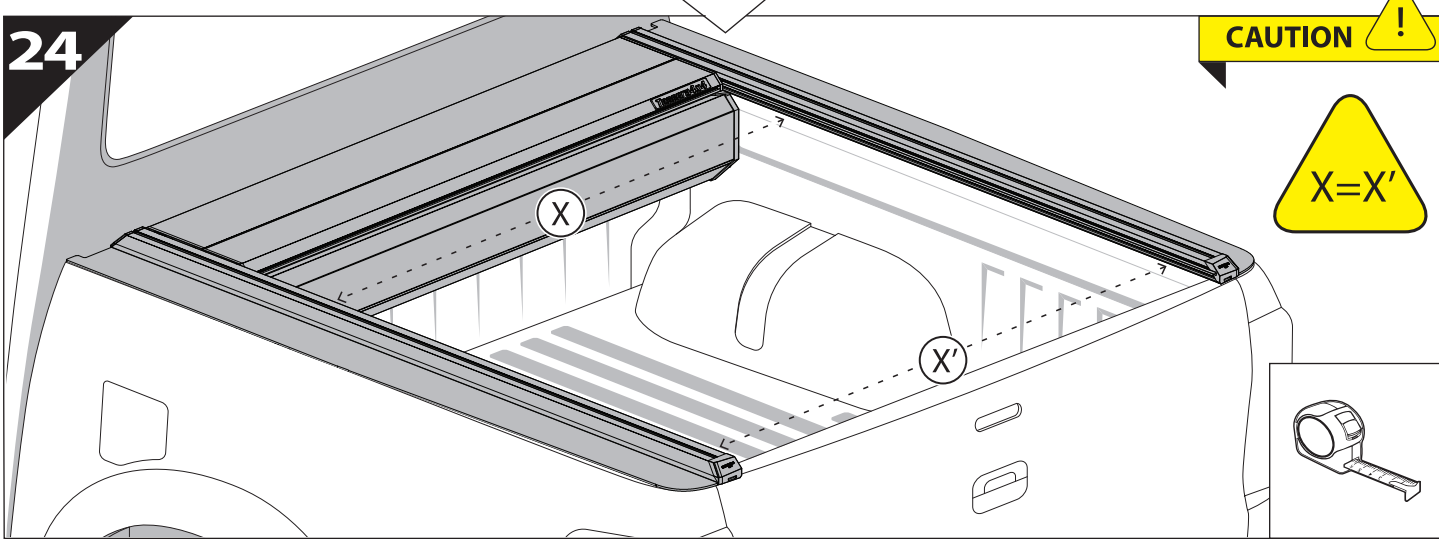
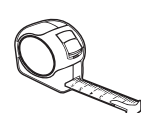
X'

X

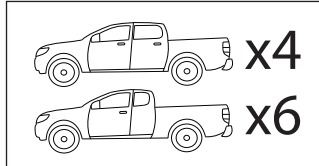
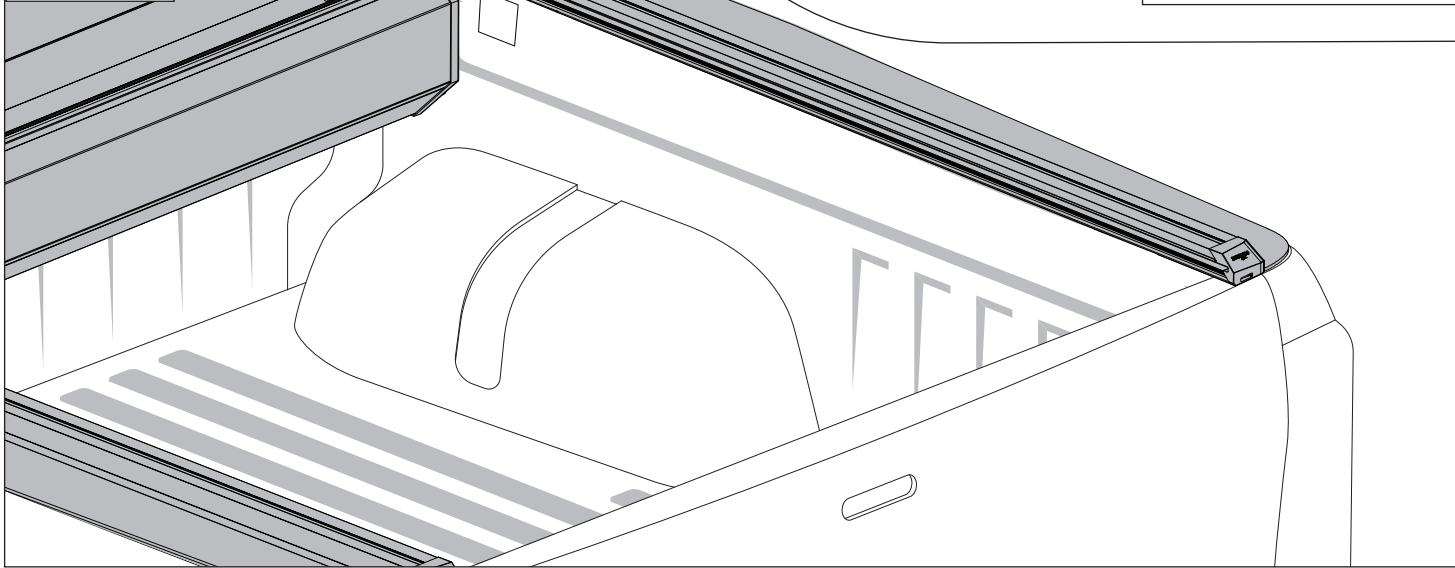
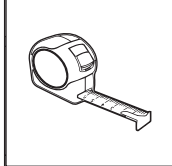
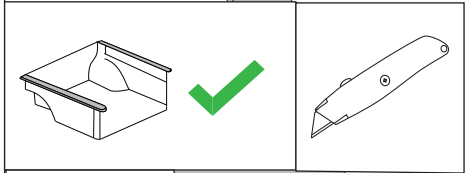


24

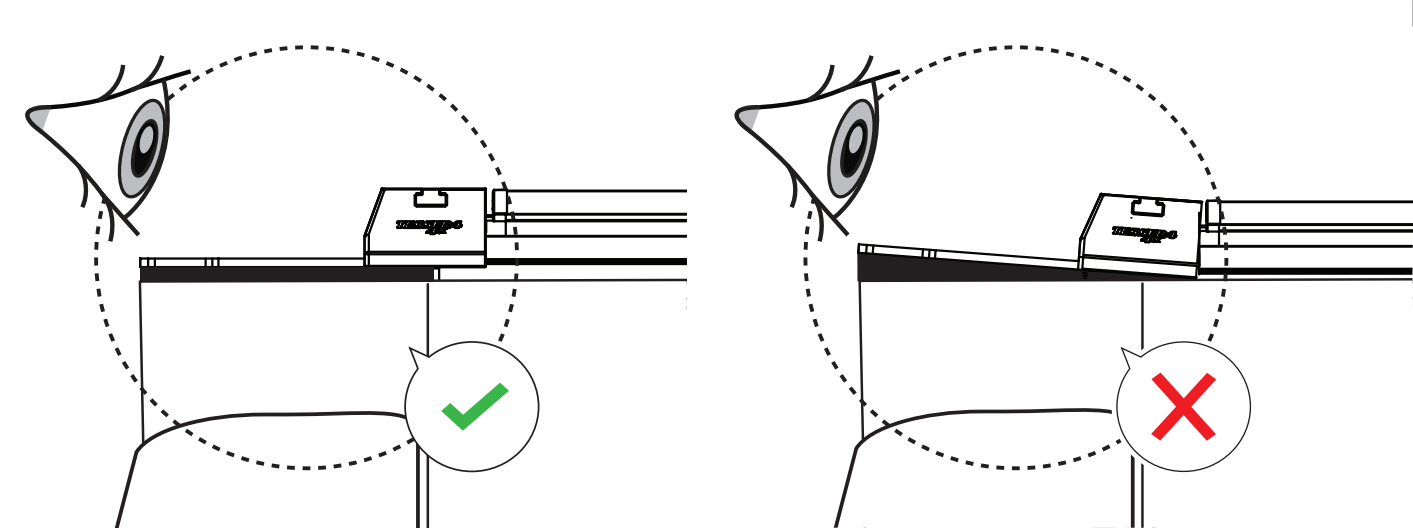
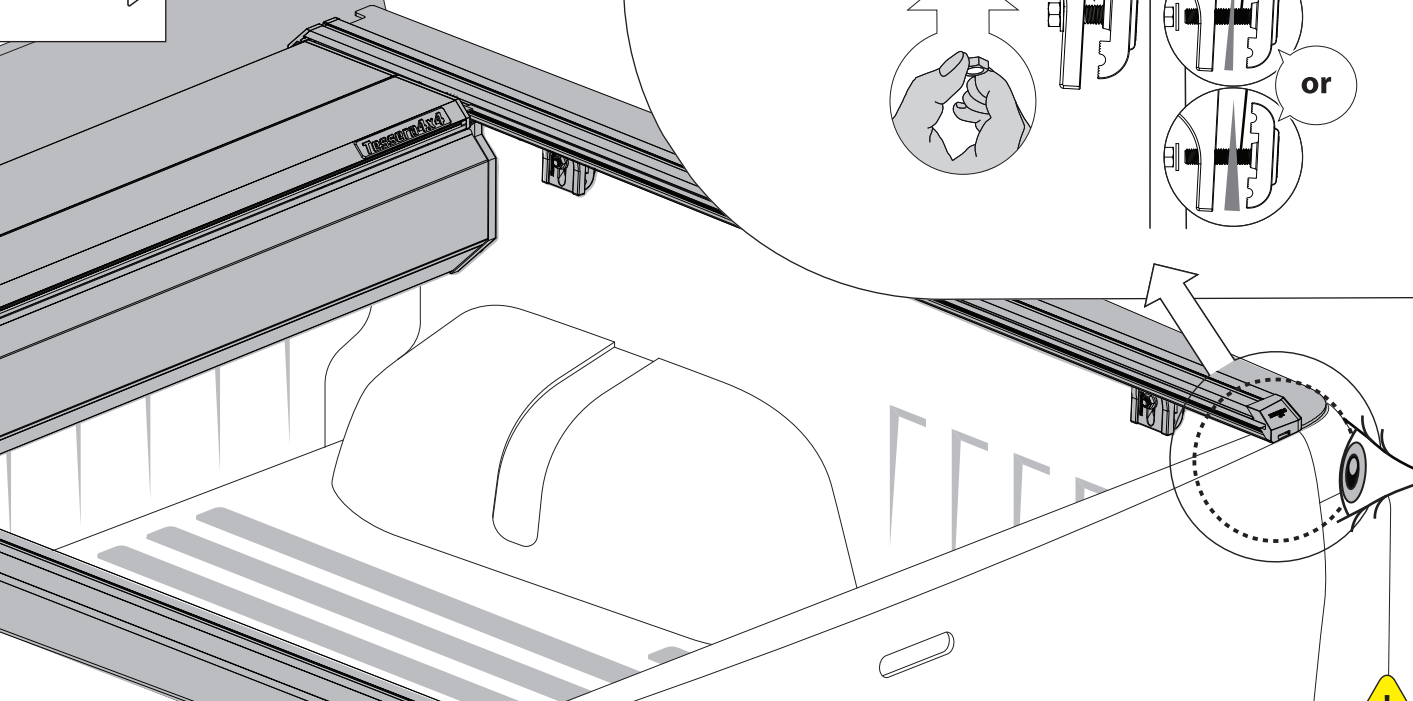
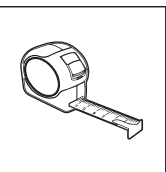
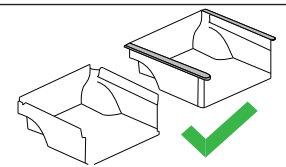
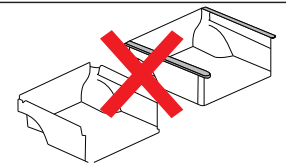
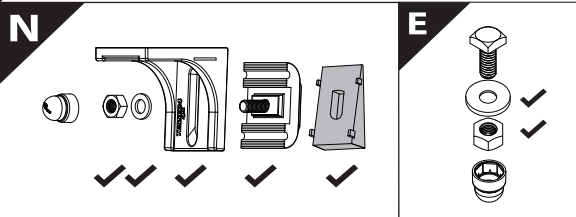
CAUTION !

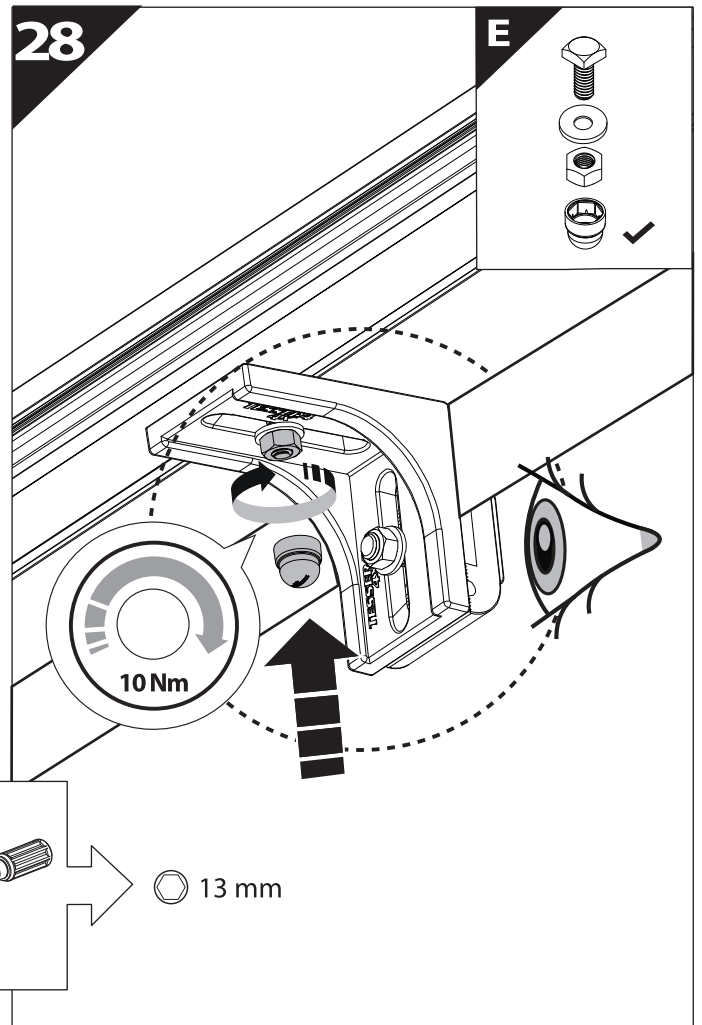
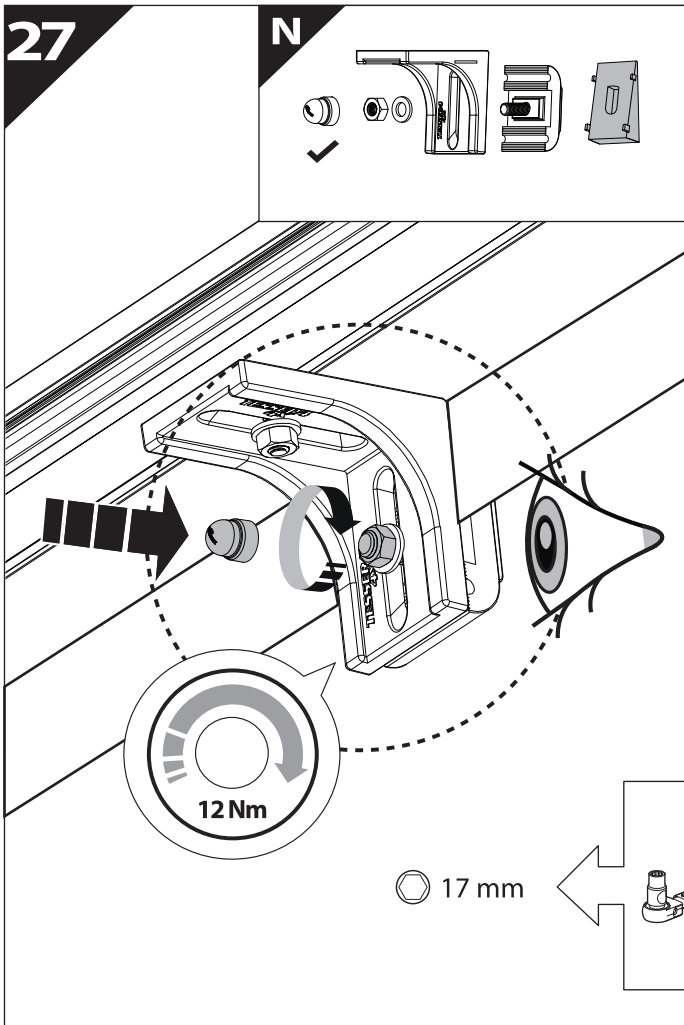


25

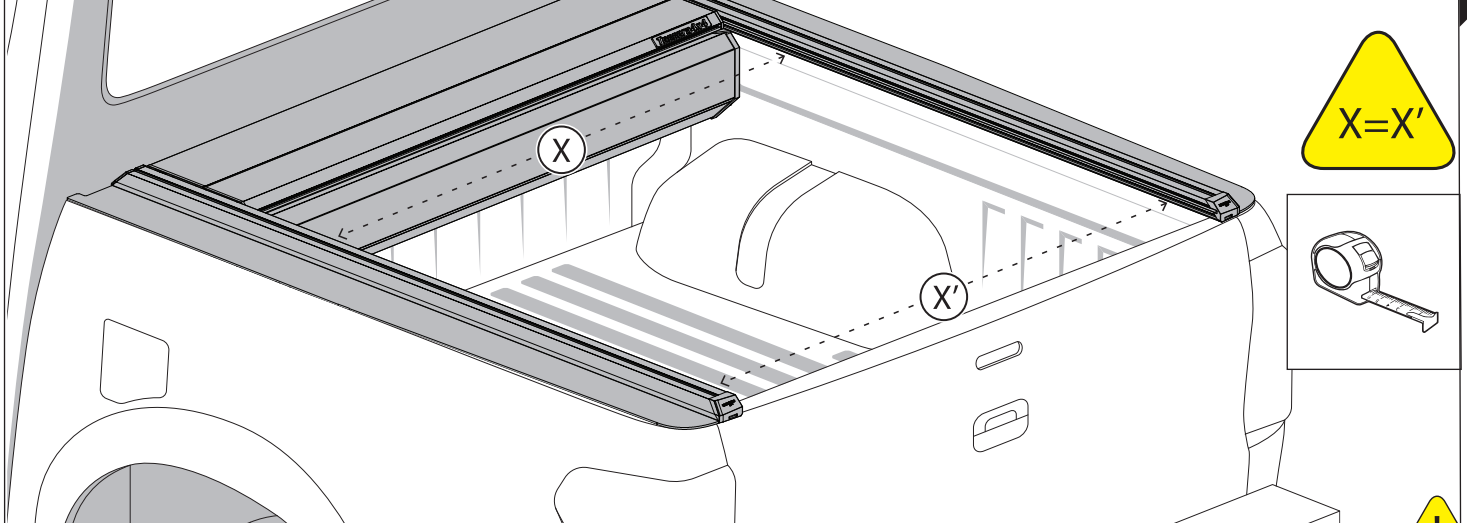


26

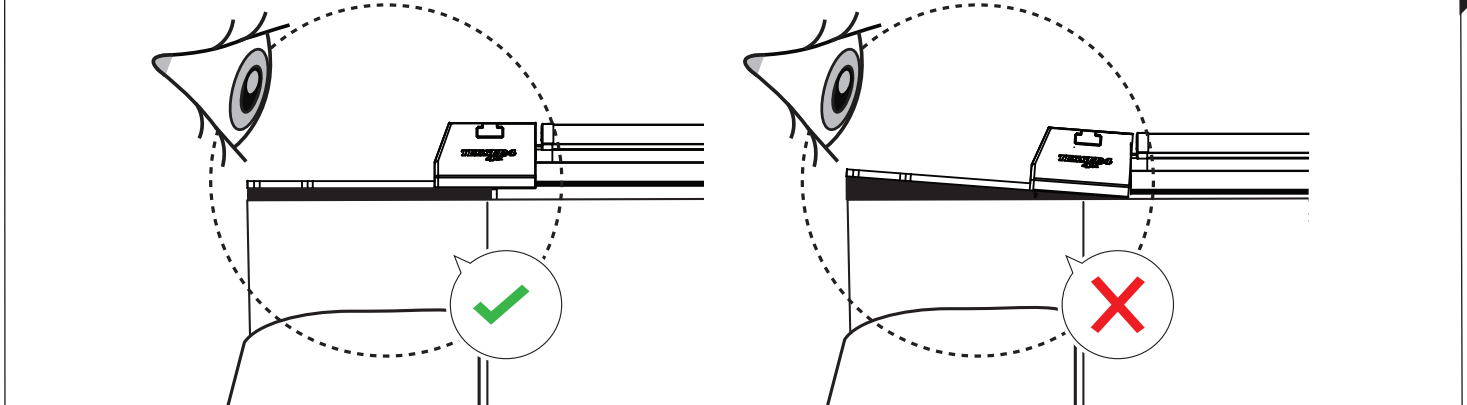




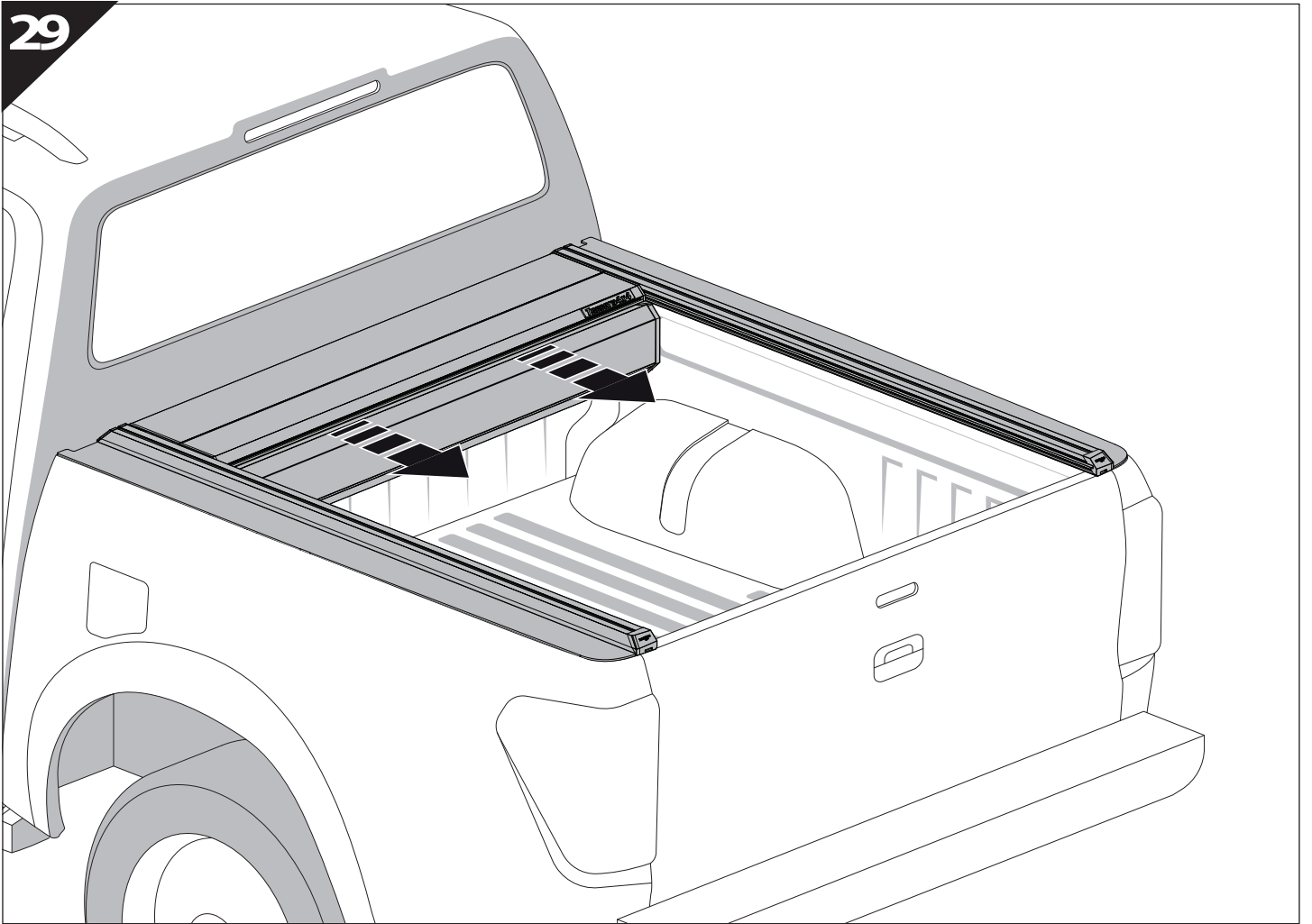
**CAUTION** !



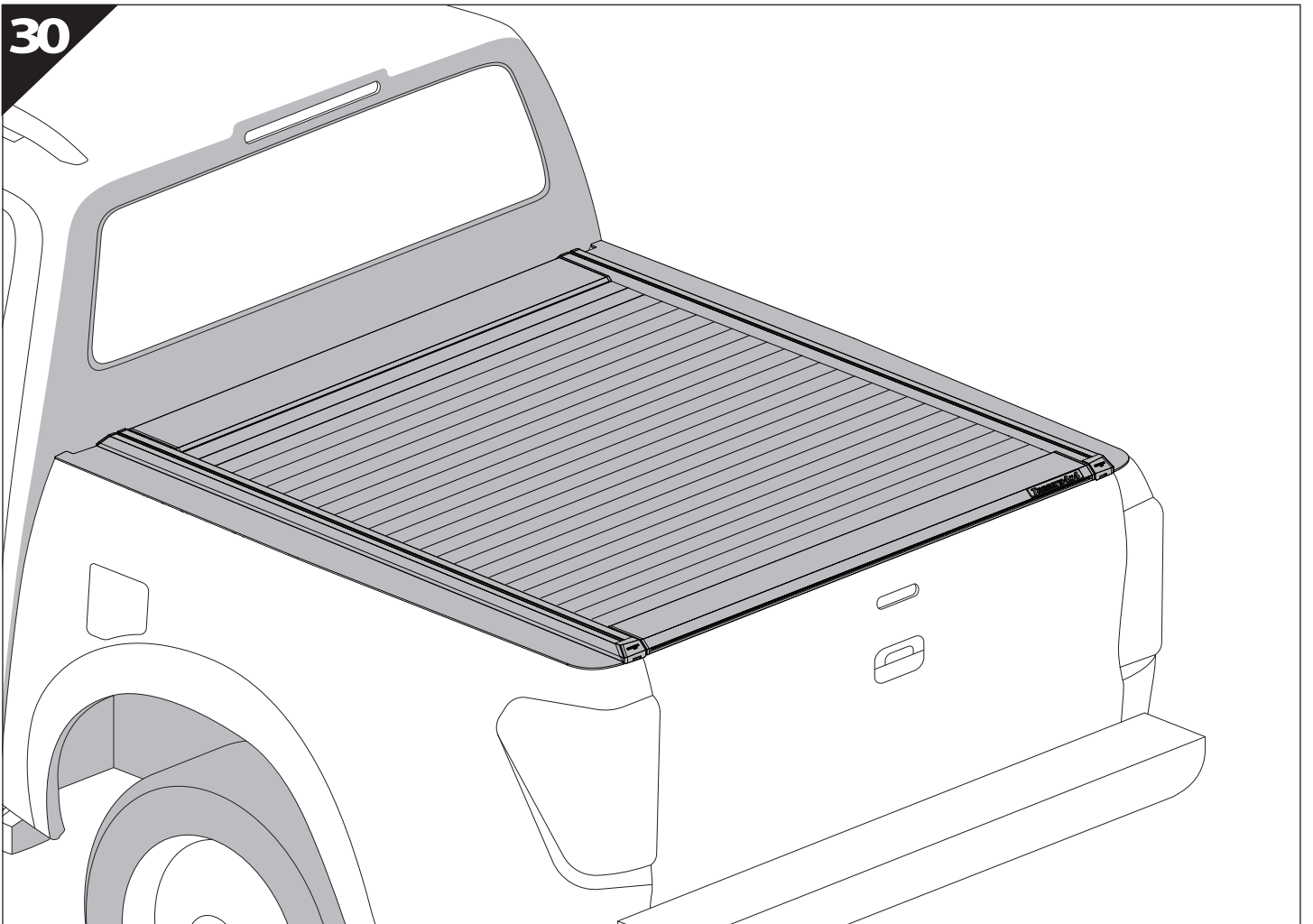
**CAUTION** !



29



30







**GR:** Οδηγίες Εγκατάστασης  
**GB:** Installation manual  
**SF:** Asennusohje  
**F:** Notice de montage  
**PL:** Instrukcja montażu  
**NL:** Installatie-instructies  
**TR:** Montaj Talimatı  
**S:** Monteringsanvisning  
**E:** Instrucciones de montaje

**H:** Szerelési utasítás  
**P:** Instruções de instalação  
**RUS:** Инструкция по установке  
**N:** Monteringsveiledning  
**D:** Einbauanleitung  
**CZ:** Návod k instalaci  
**I:** Istruzioni de montaggio  
**DK:** Monteringsvejledning  
**RO:** Instructiuni de instalare

Customer Service:

+30 (210) 5541161, +30 (210) 5541154 (08:00 - 16:00 EET)

Support department:

[info@gianso.gr](mailto:info@gianso.gr)

Website:

[www.tessera4x4.com](http://www.tessera4x4.com)

Address:

19.5 km of National road Athens-Korinthos (Elefsina) Greece, P.C: 19200