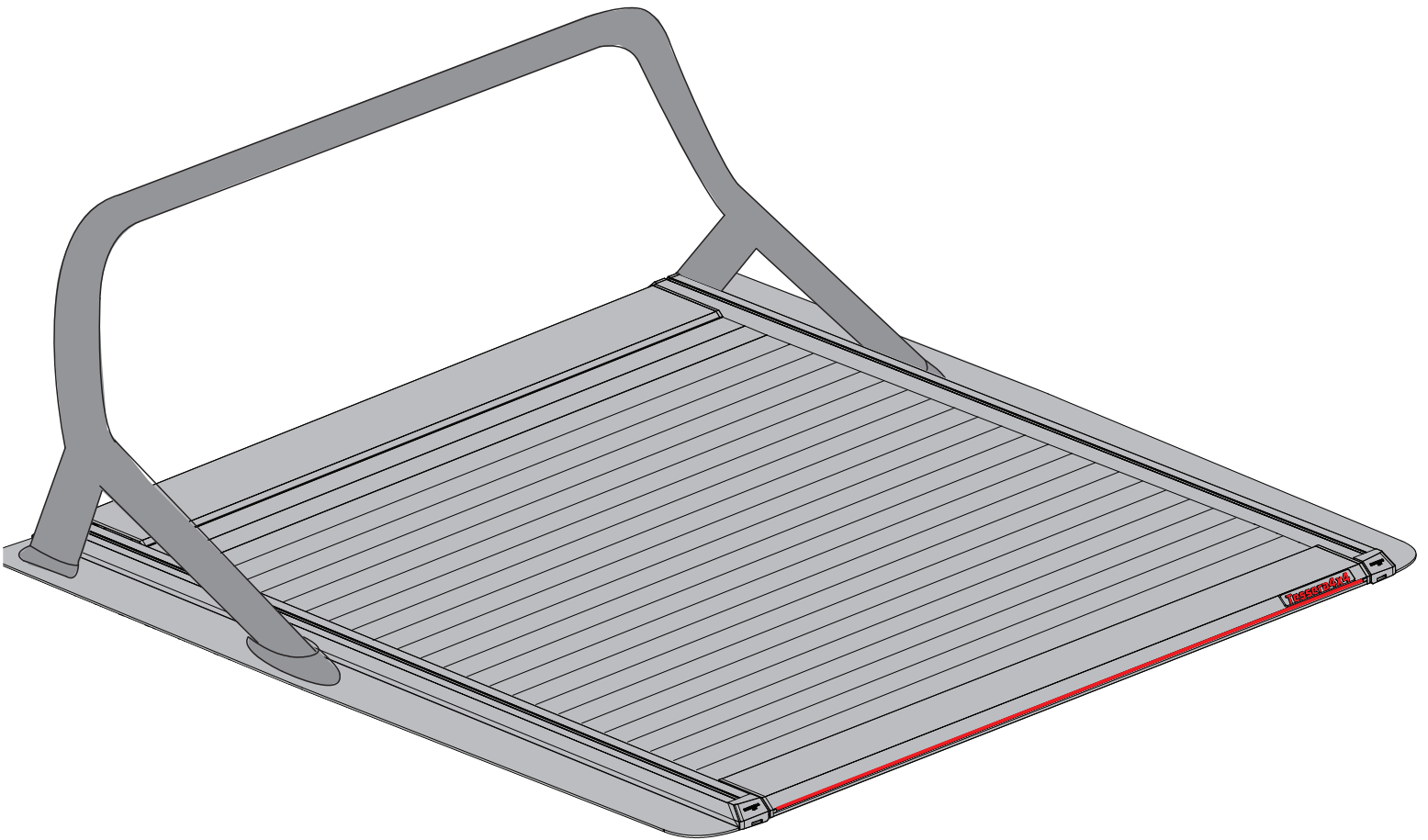


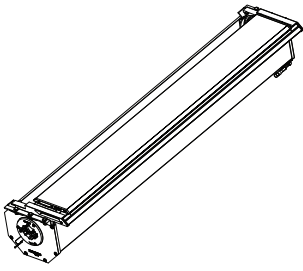
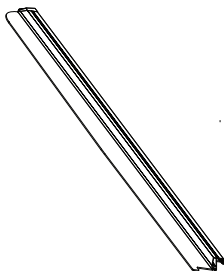
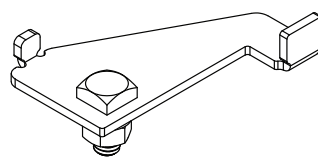
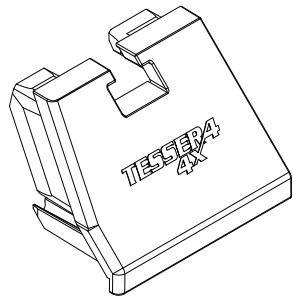
Tessera Roll+

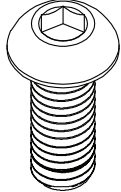
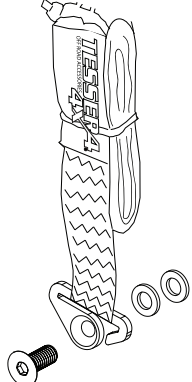
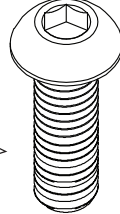
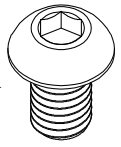
Basic Version + ⚡ E-KIT

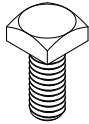

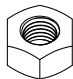

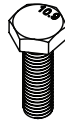
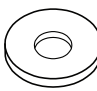
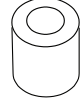



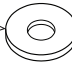

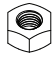




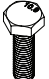
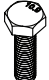


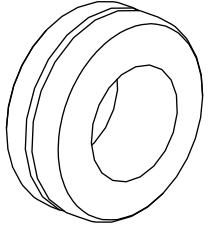
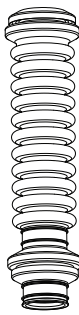
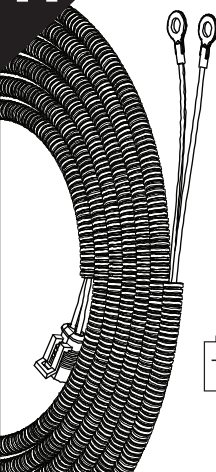
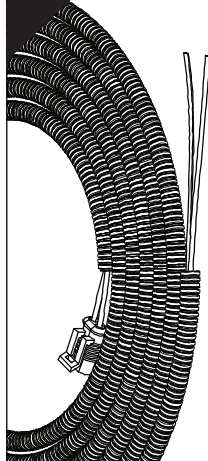
Installation Manual

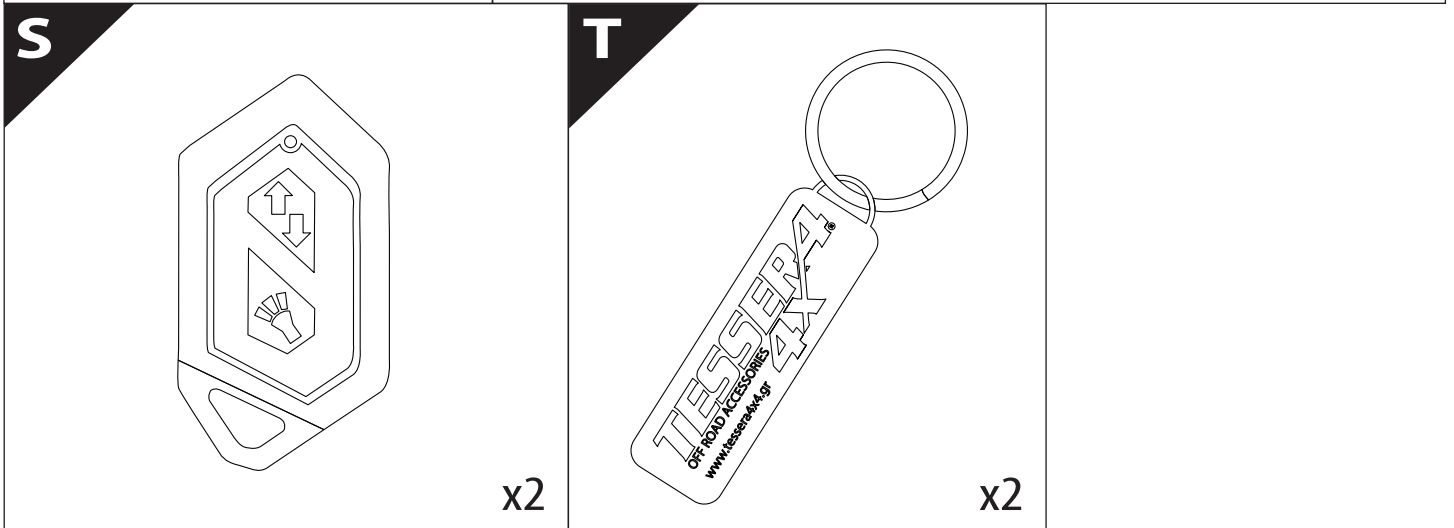
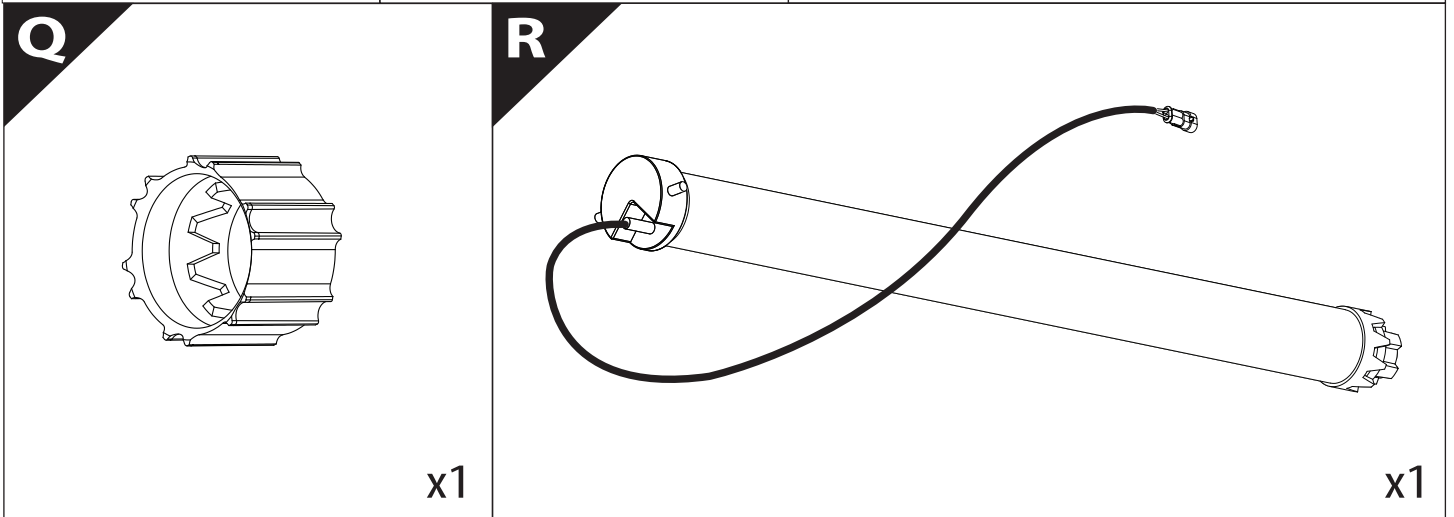
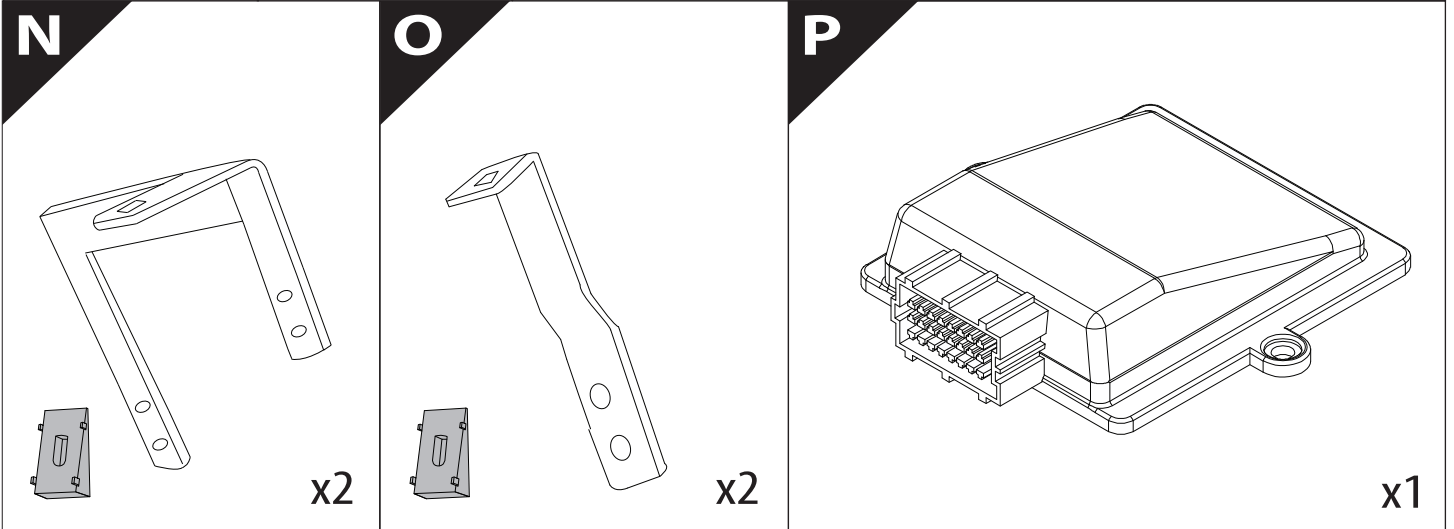
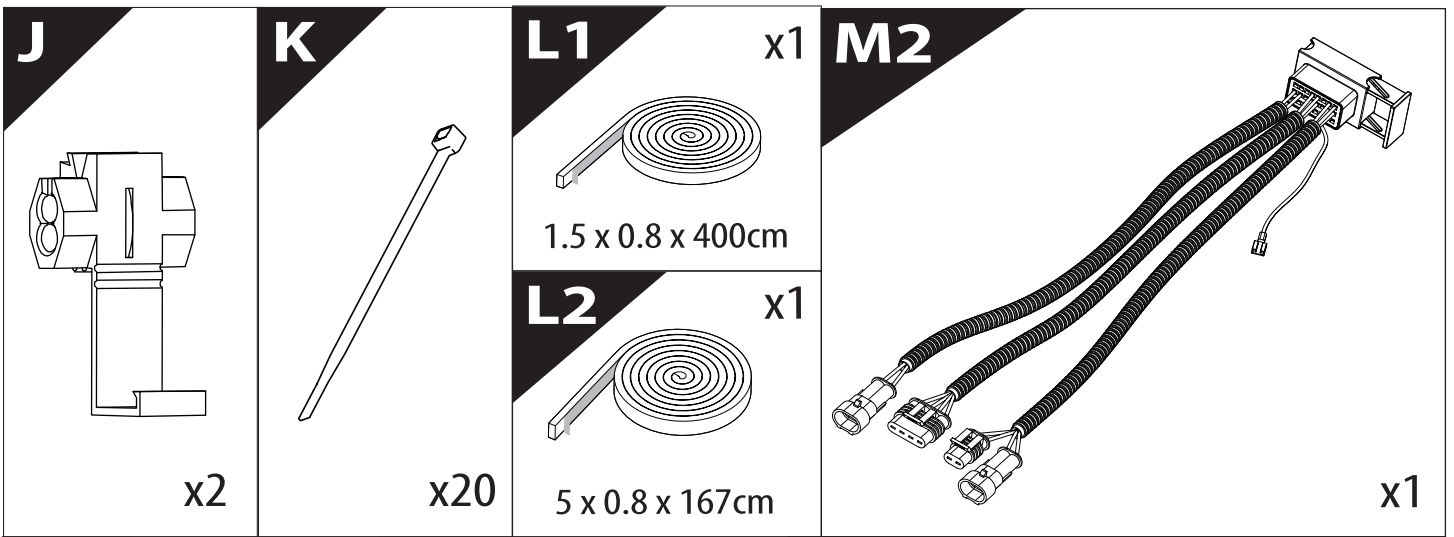
PART NUMBER(S)	Model Year
TESS 14161 ROLL+ E-KIT	Toyota Hilux (Revo) 2016+ WITH OEM ROLL BAR
Cab(s)	Installation Time / Weight
Double Cab	40-60 minutes / 53-57 kg

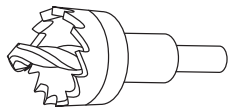
<p>A</p>  <p>x1</p>	<p>B</p>  <p>x2</p>	<p>C</p>  <p>M8</p> <p>x2</p>	<p>D</p>  <p>M 4,2 x 19</p> <p>x2</p>
---	---	--	---

<p>D1</p>  <p>M6x15</p> <p>x2</p>	<p>D2</p>  <p>x1</p>	<p>D3</p>  <p>M6x20</p> <p>x1</p>	<p>D4</p>  <p>M6x10</p> <p>x2</p>
---	--	--	---

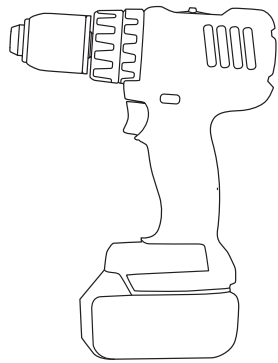
<p>E x4</p>  <p>M8x25</p>  <p>Ø8</p>  <p>M8</p>  <p>M8</p>	<p>E1</p>  <p>4x M10x40</p>  <p>4x Ø10</p>  <p>2x 18mm</p>	<p>E2</p>  <p>8xM8</p>  <p>6x M8x30</p>  <p>2x M8x35</p>  <p>4xØ8</p>  <p>6xØ8</p>  <p>2xM8</p>  <p>x2</p>
---	--	--

<p>E3</p>  <p>6xM8</p>  <p>4x M8x30</p>  <p>2x M8x35</p>  <p>6xØ8</p>  <p>x2</p>	<p>F</p>  <p>x1</p>	<p>G</p>  <p>x2</p>	<p>H</p>  <p>x1</p>	<p>I</p>  <p>x1</p>
--	---	---	--	---





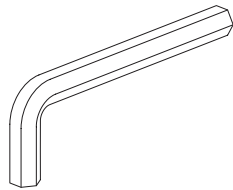
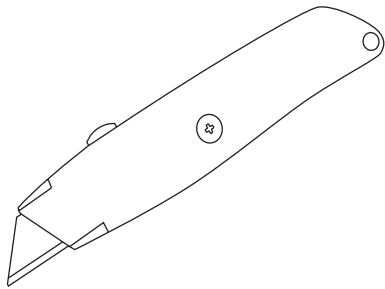
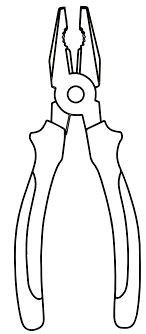
Ø 25 mm / Ø 40 mm



+

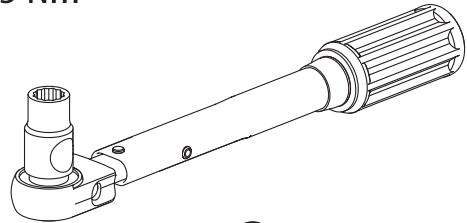


-



4 mm, 5mm

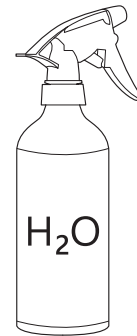
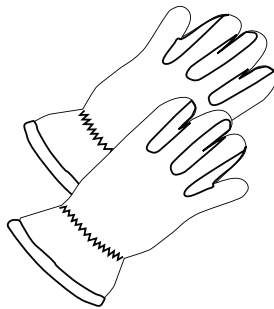
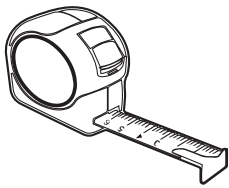
1 - 25 Nm



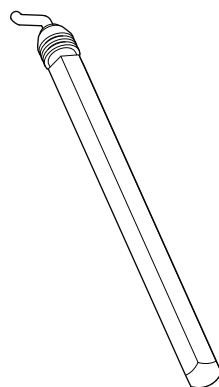
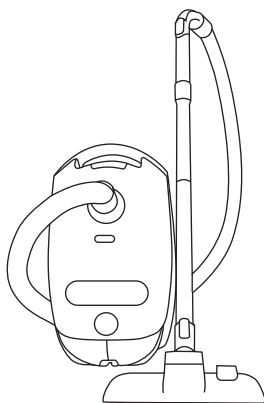
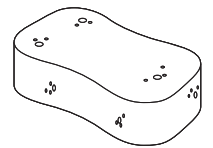
10, 12, 13, 17 mm



ACETONE



H₂O



ANTI-RUST



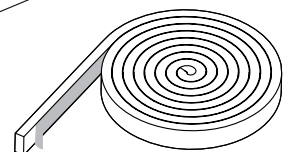
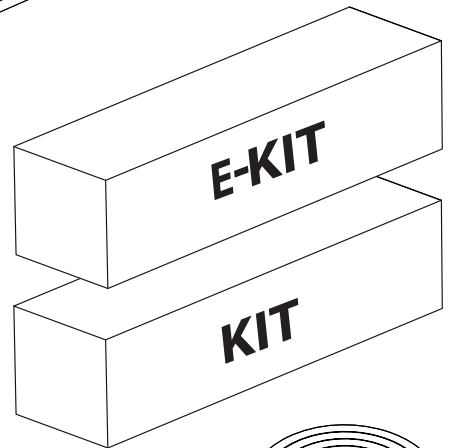
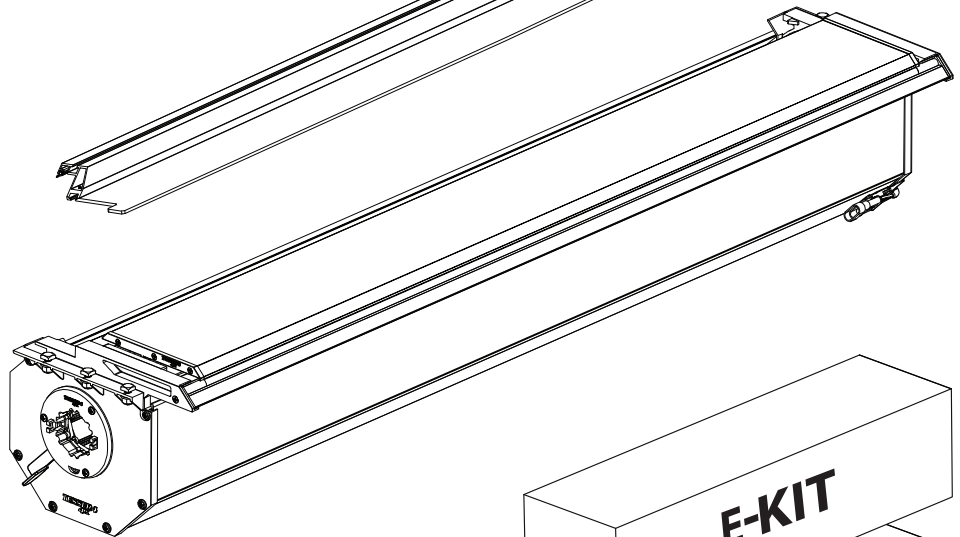
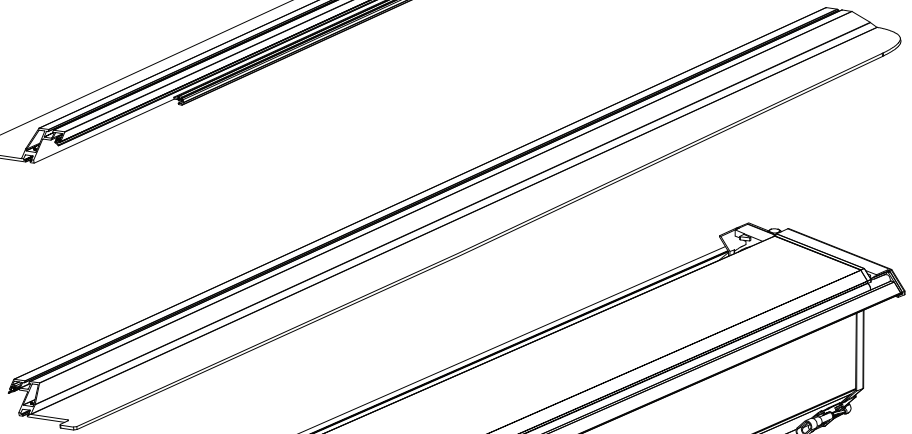
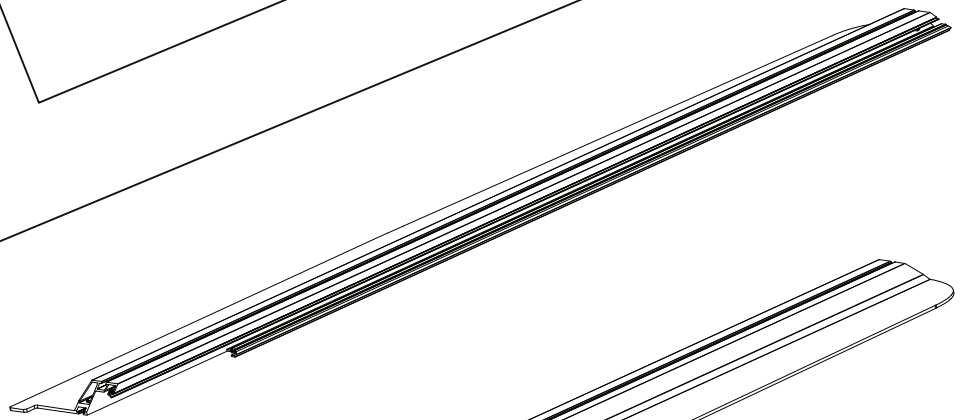
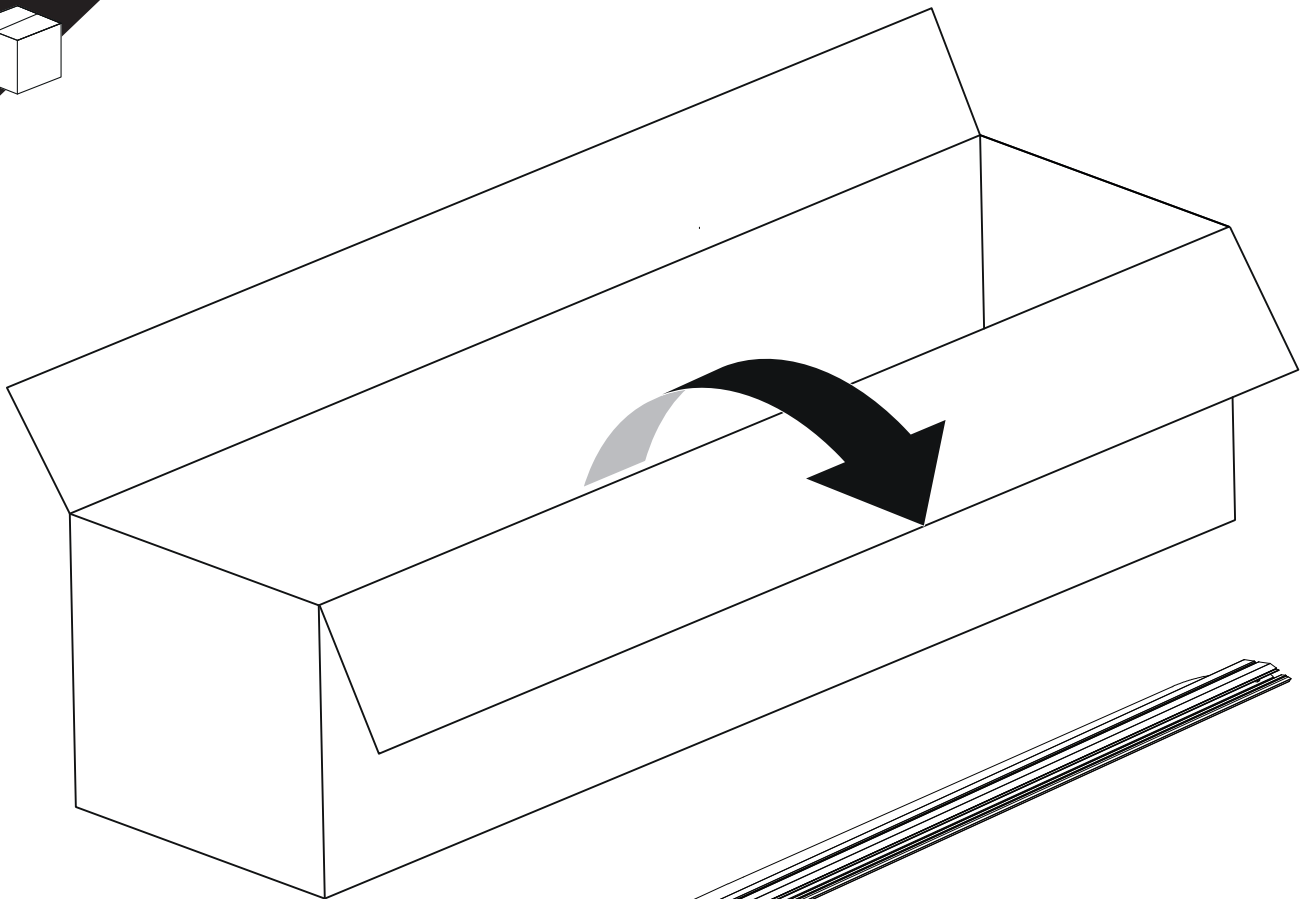
INSTALATION
MANUAL
+E-KIT



OWNERS
MANUAL



x1

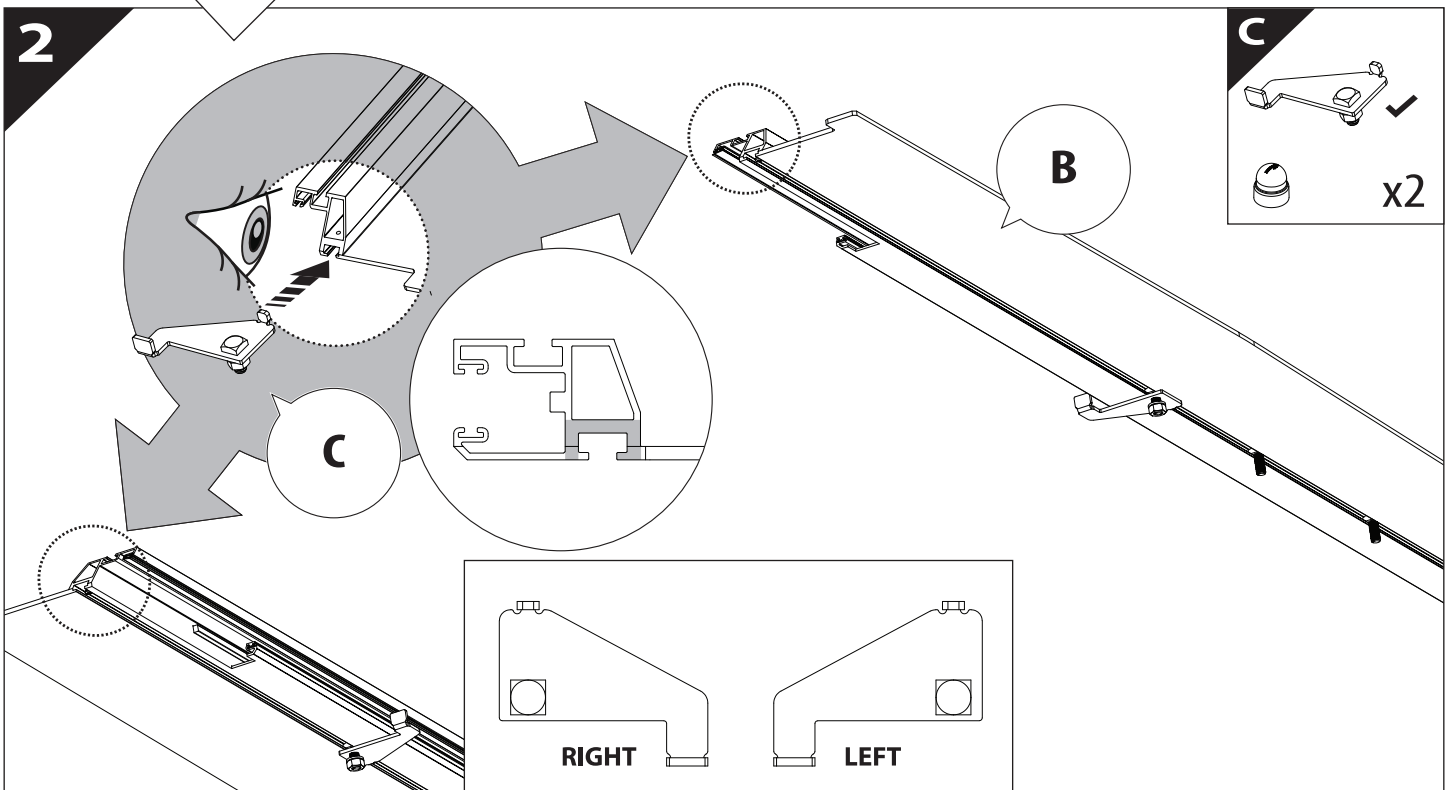
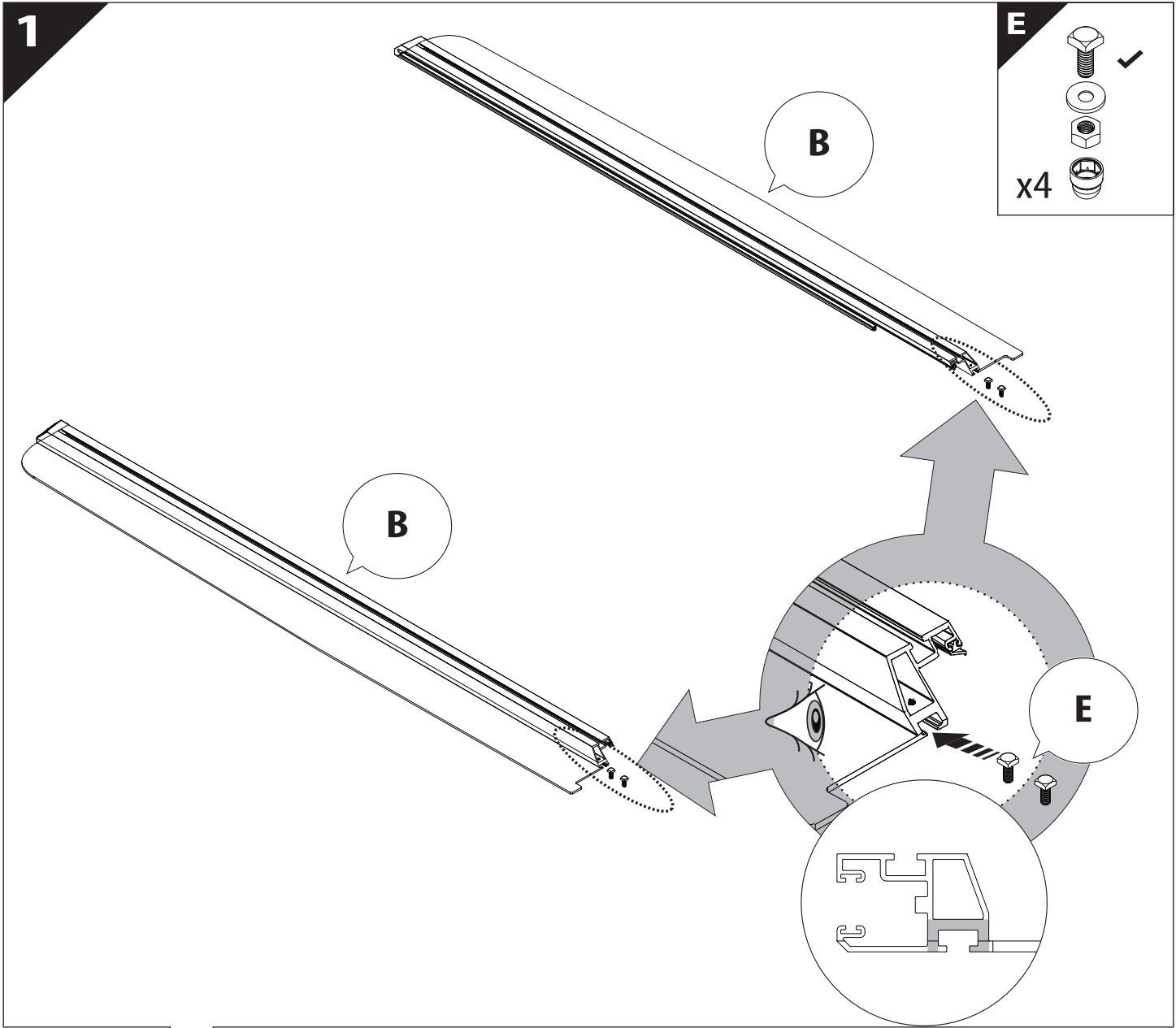


B

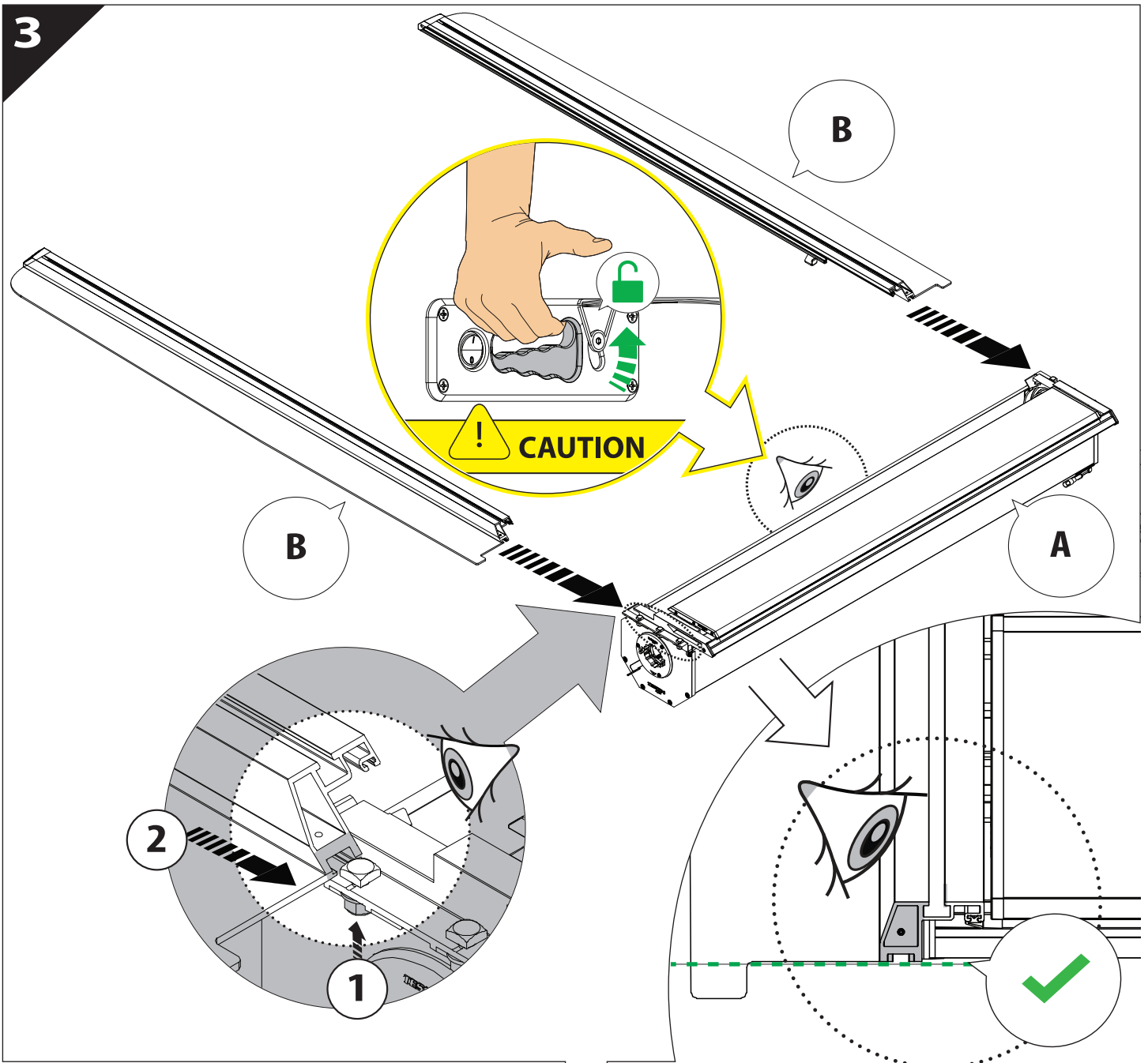
A

KITS

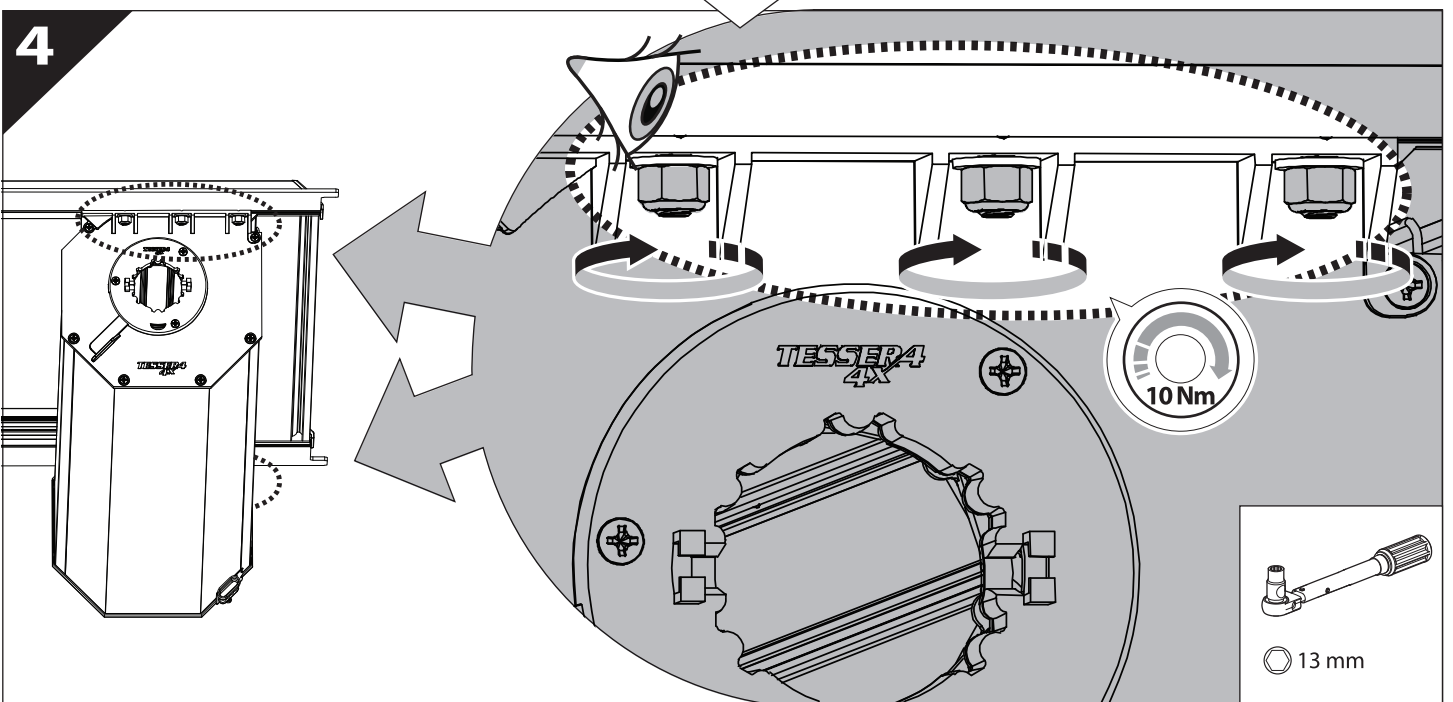
L

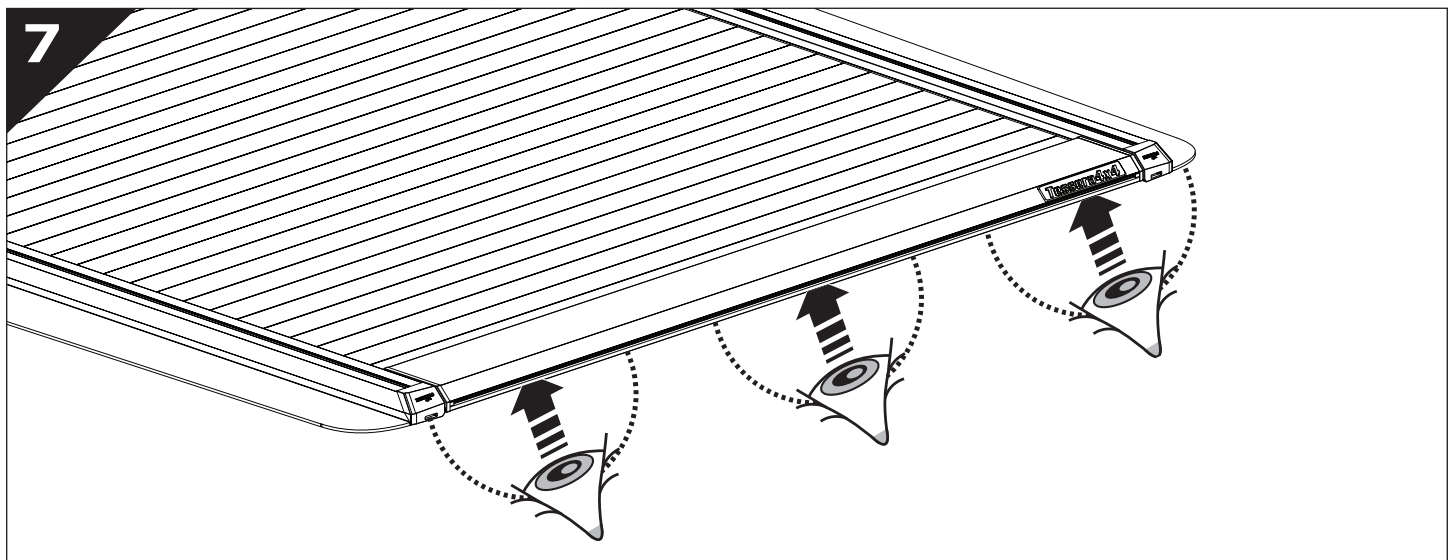
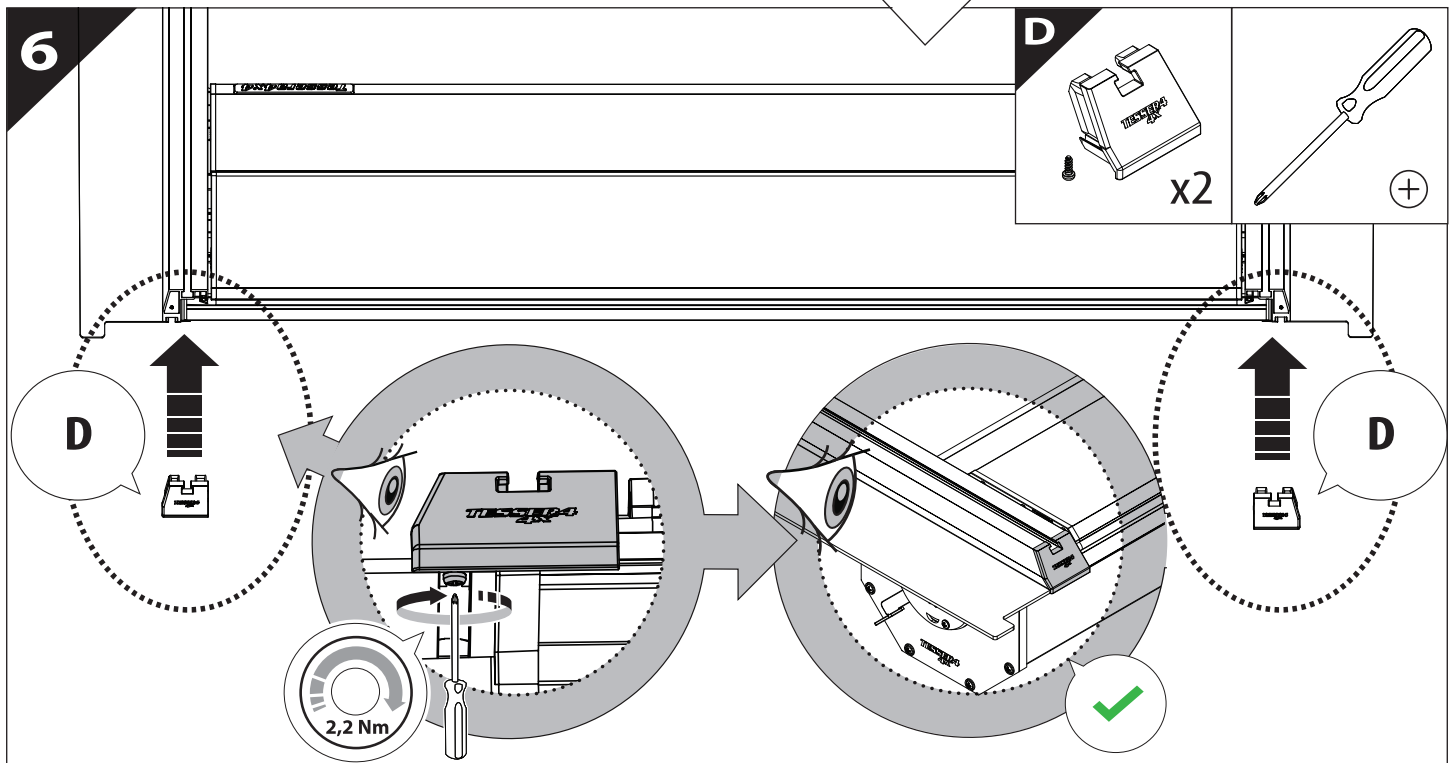
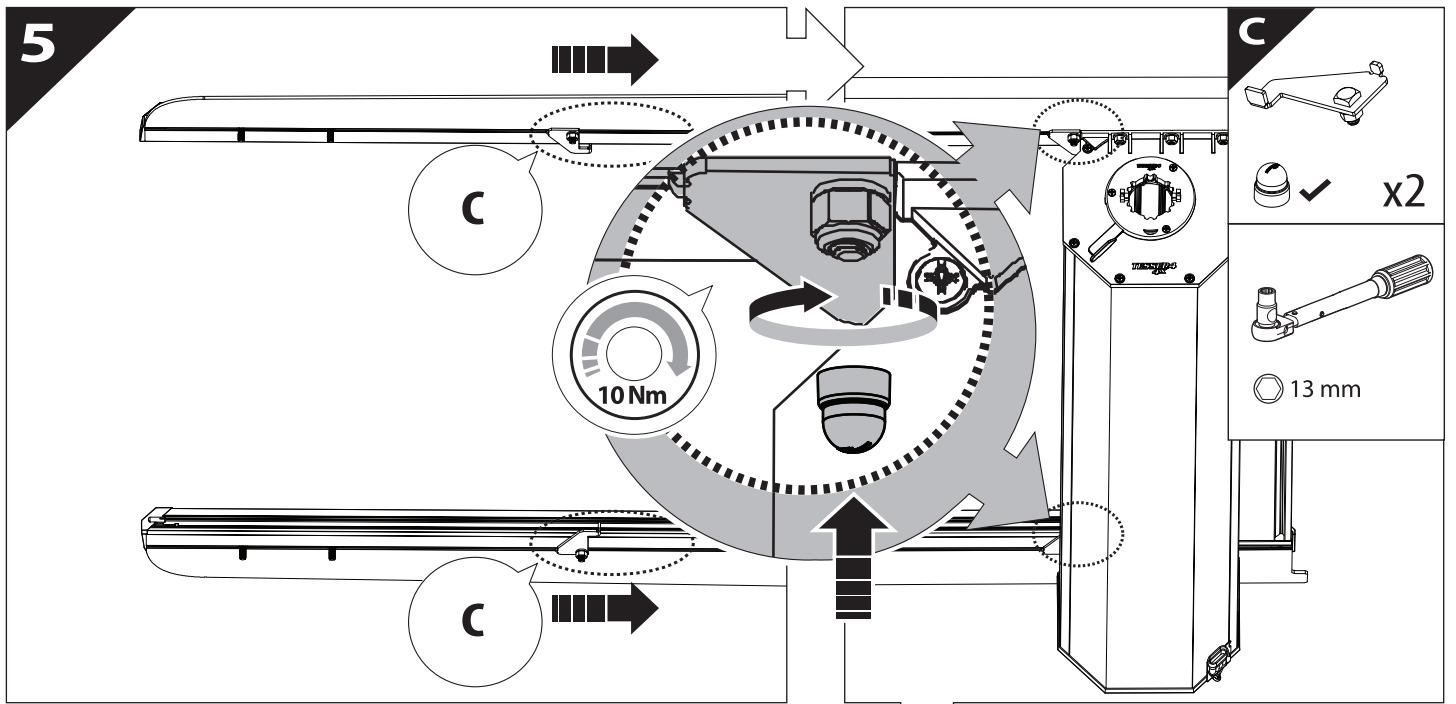


3

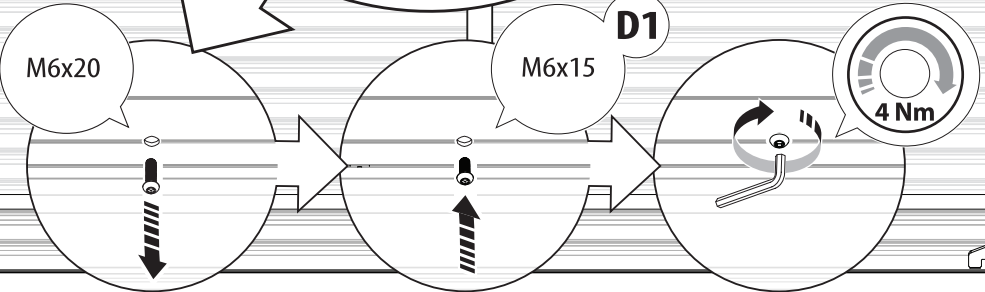
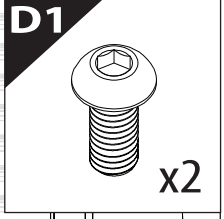
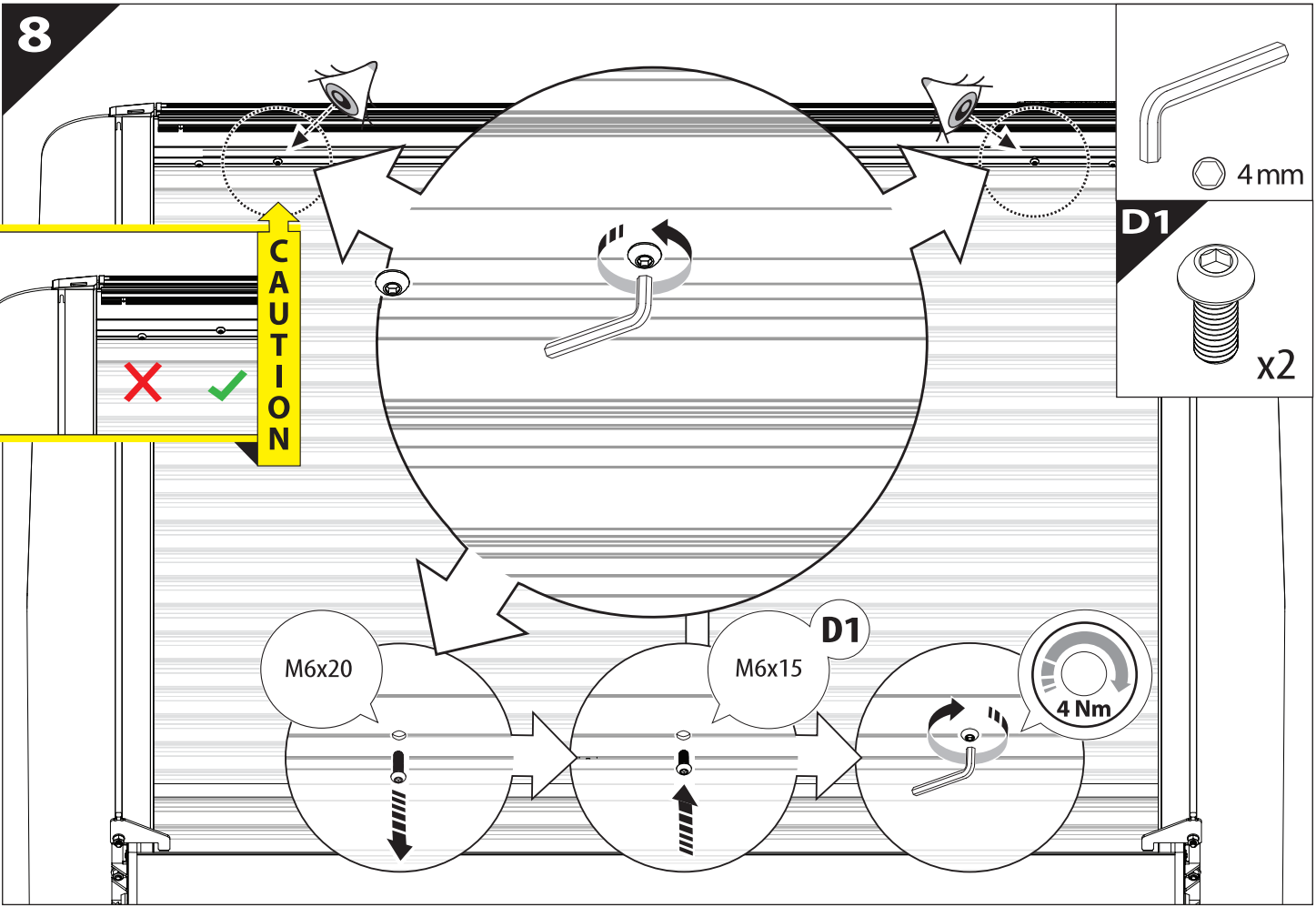
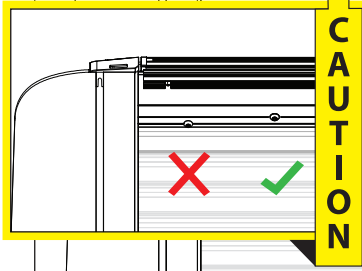


4

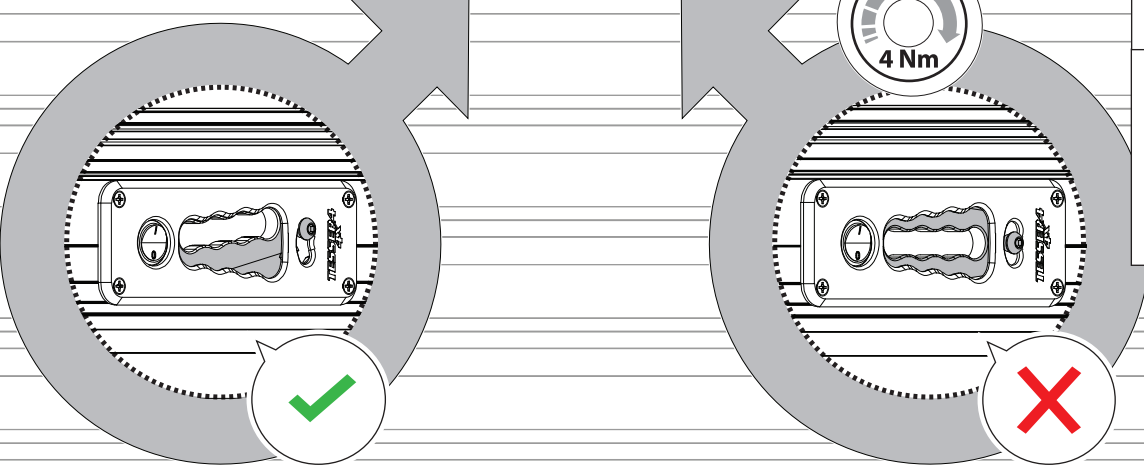
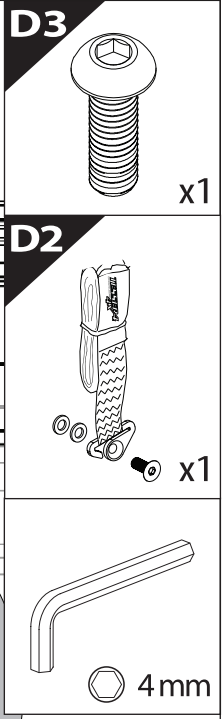
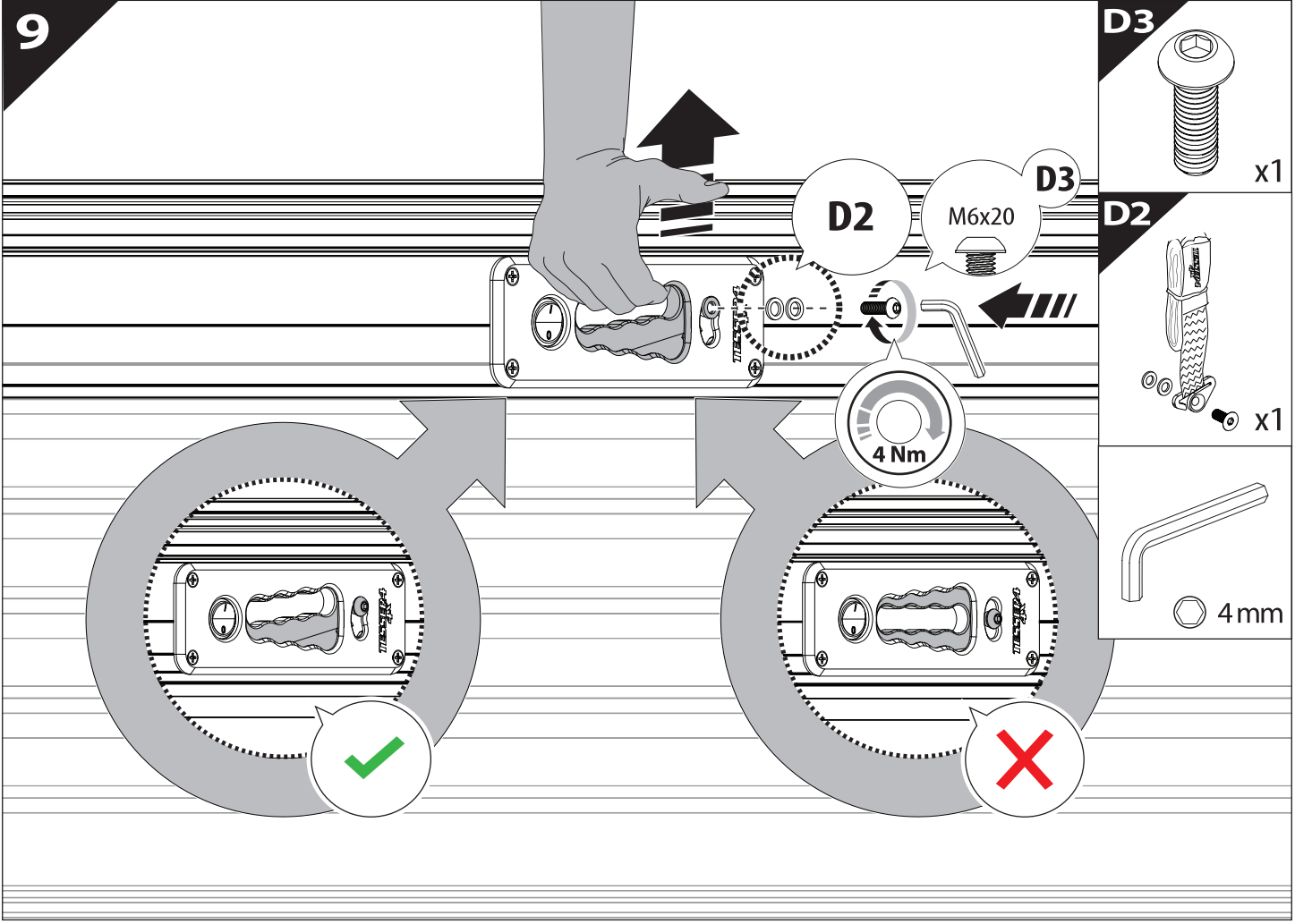


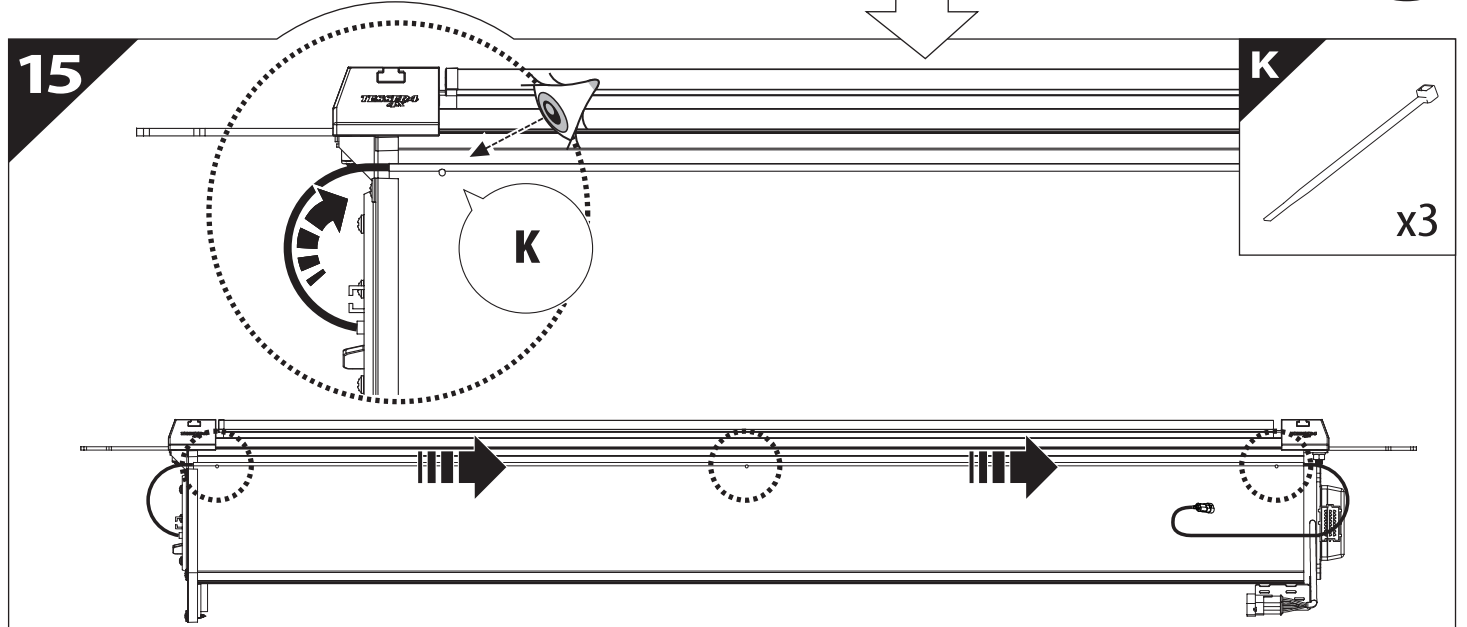
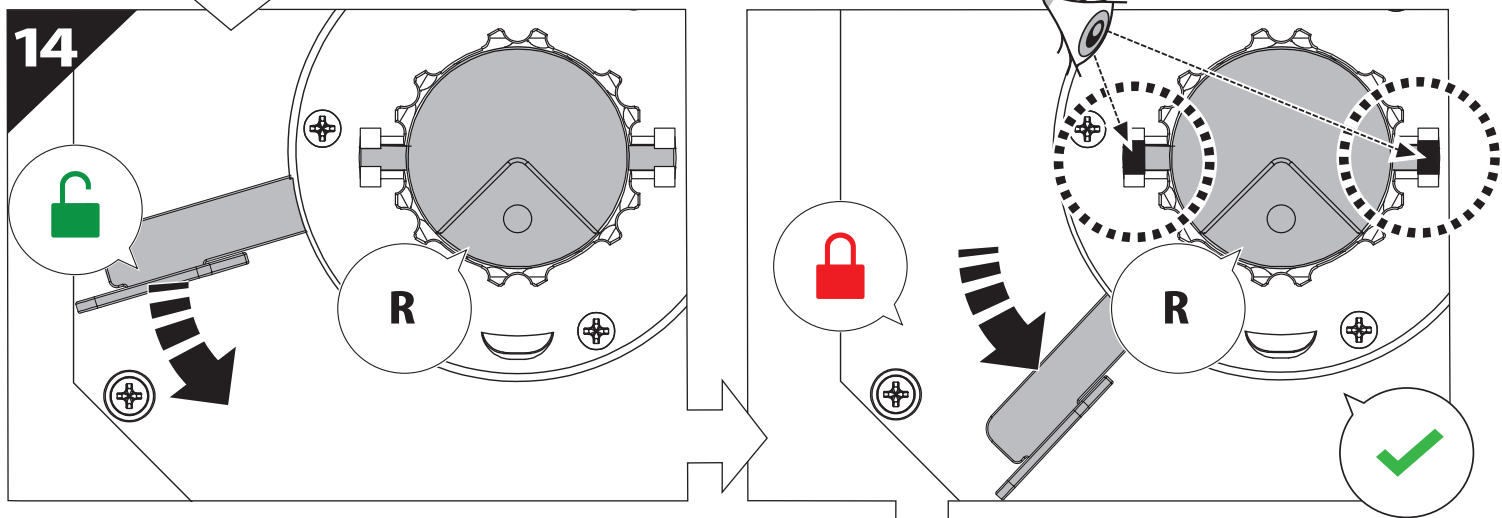
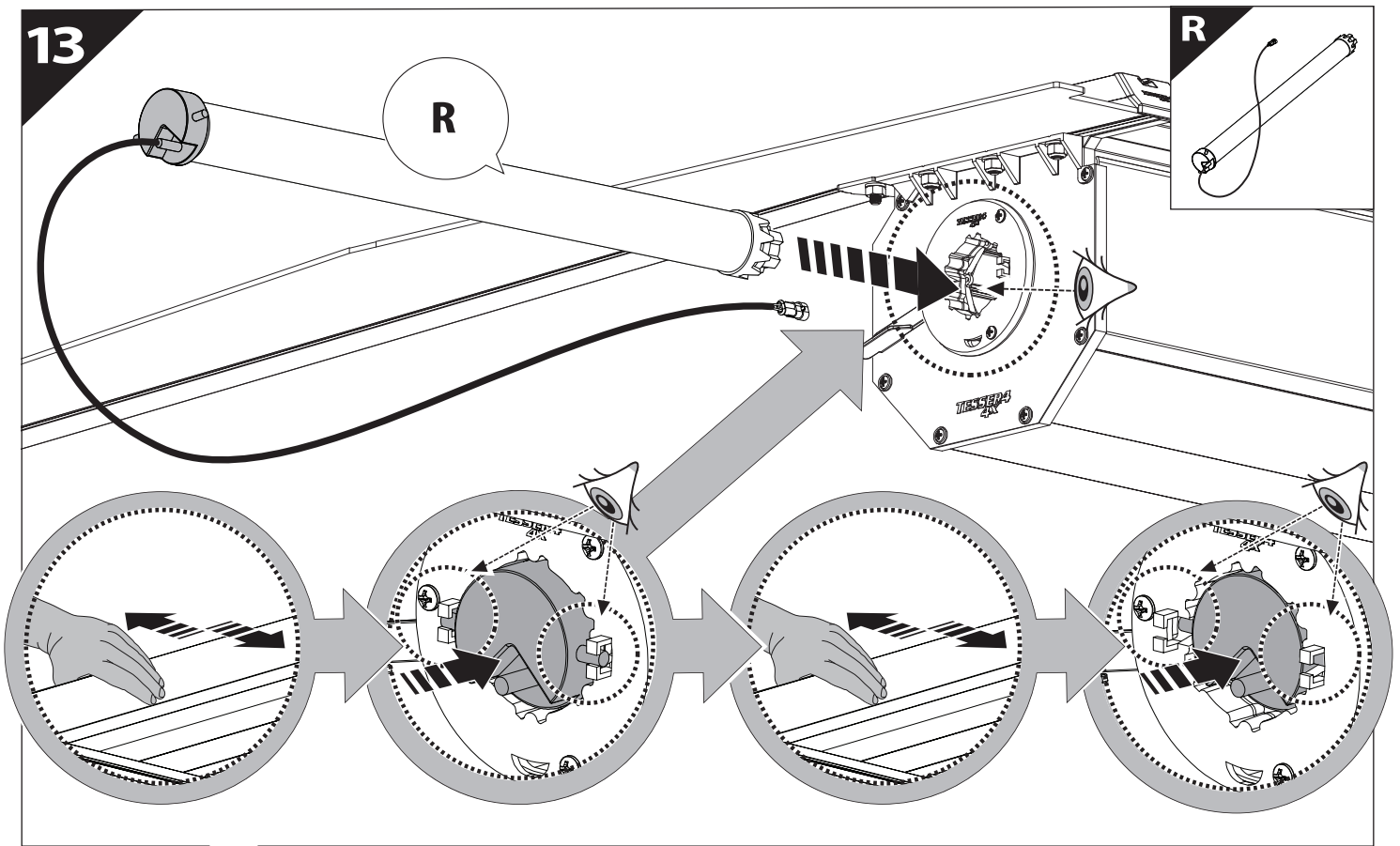


8

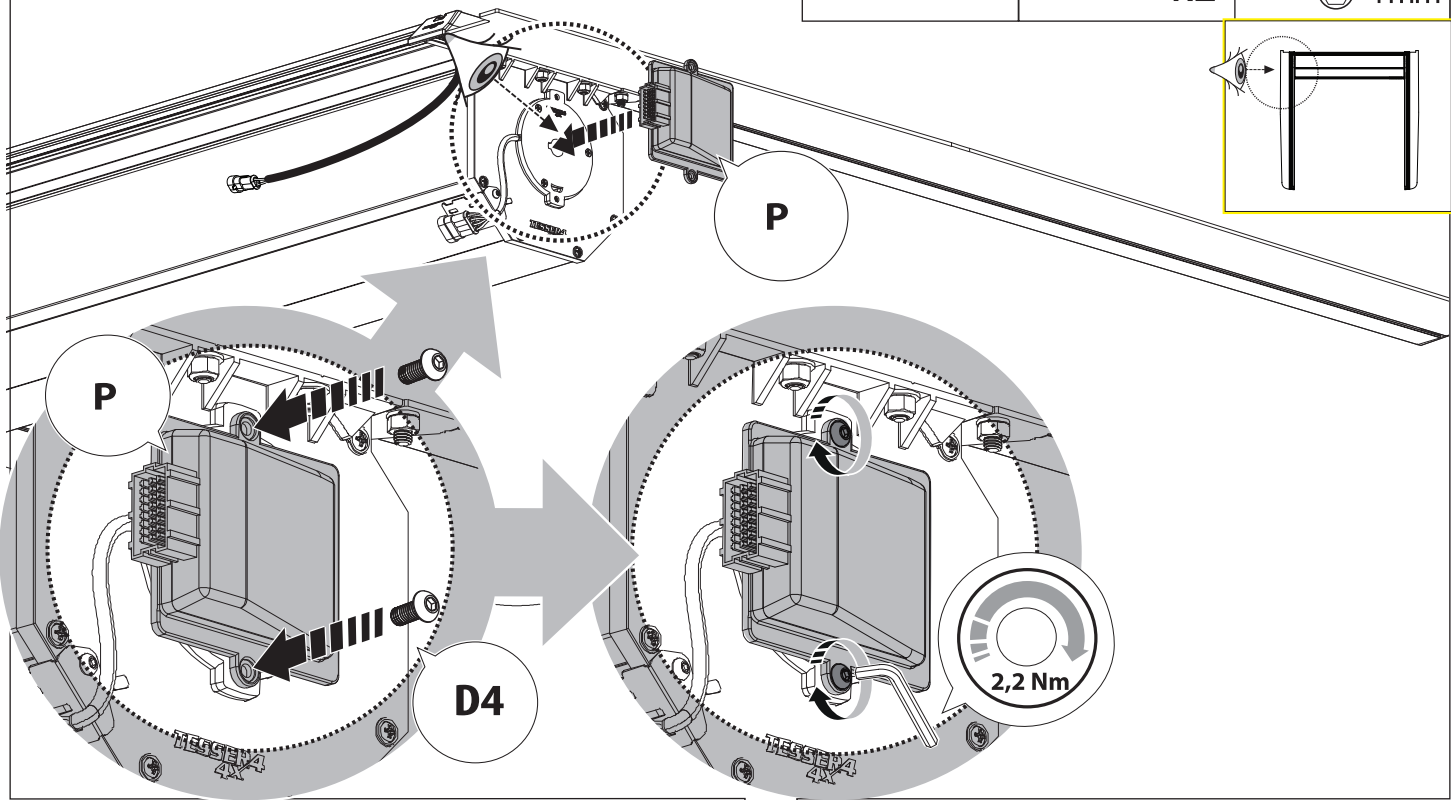
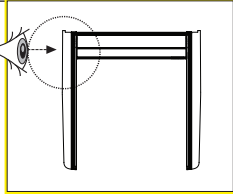
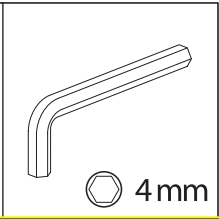
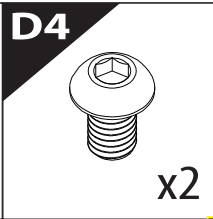
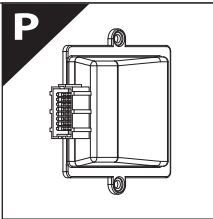


9

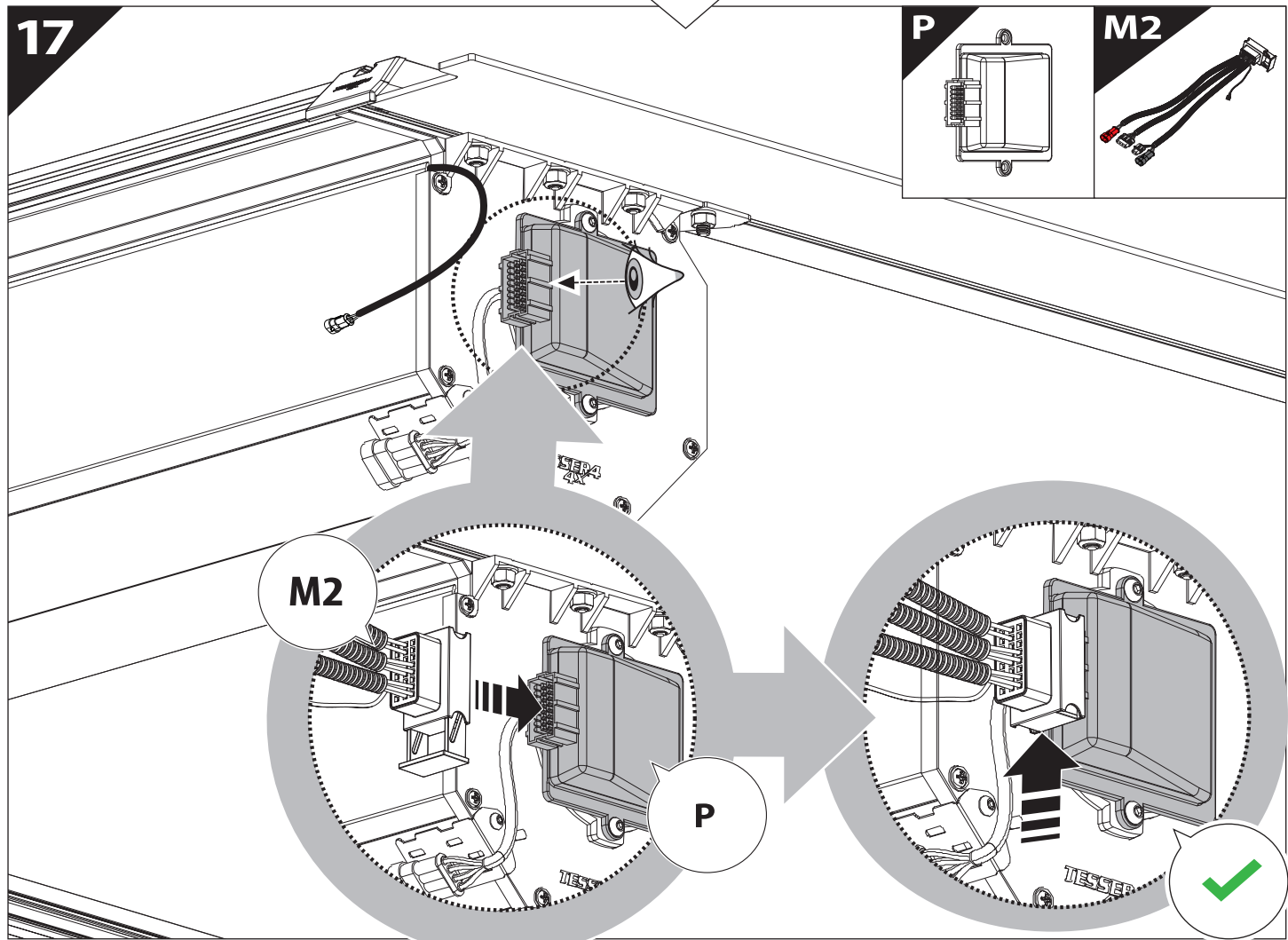
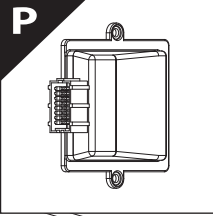




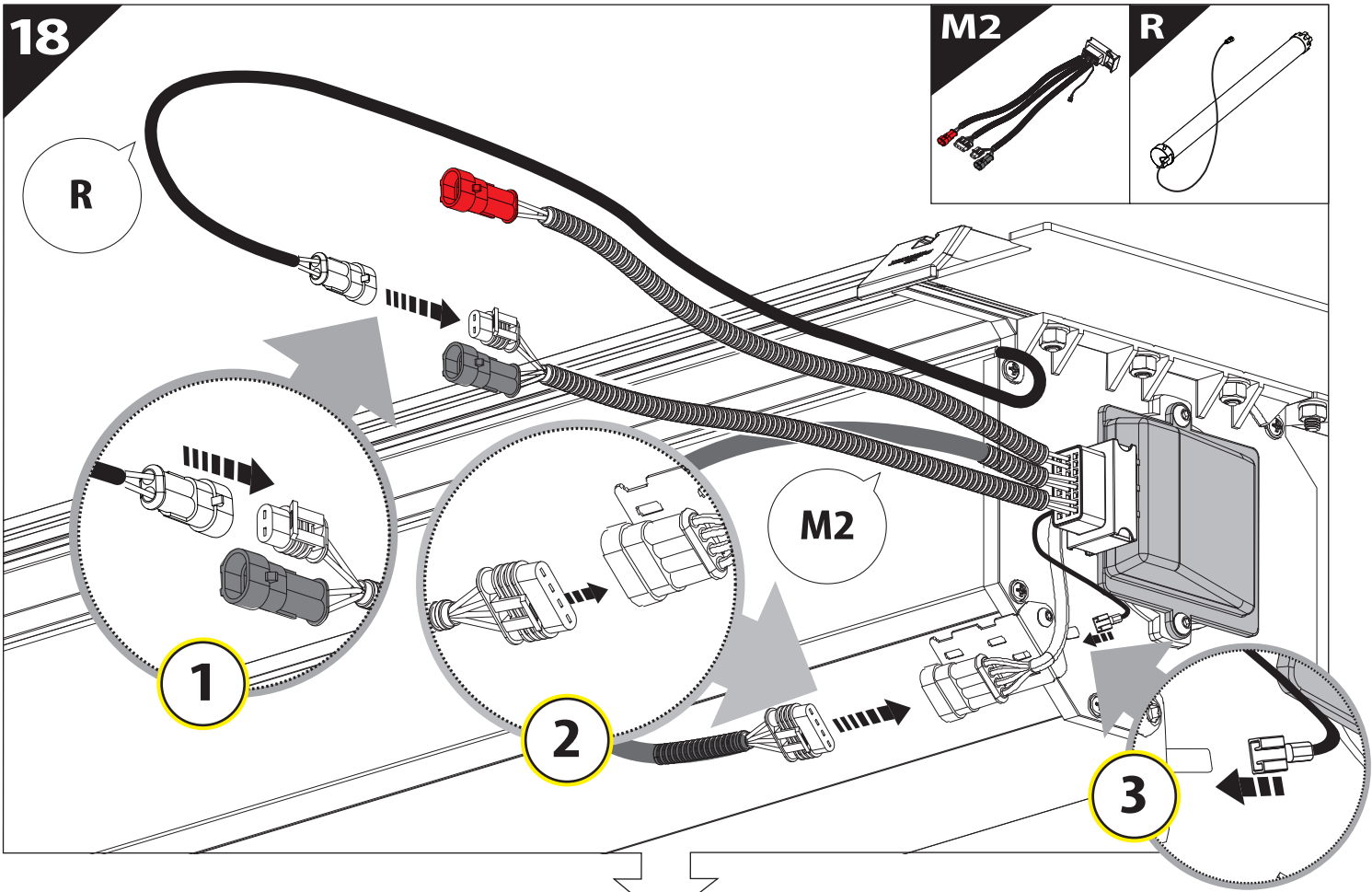
16



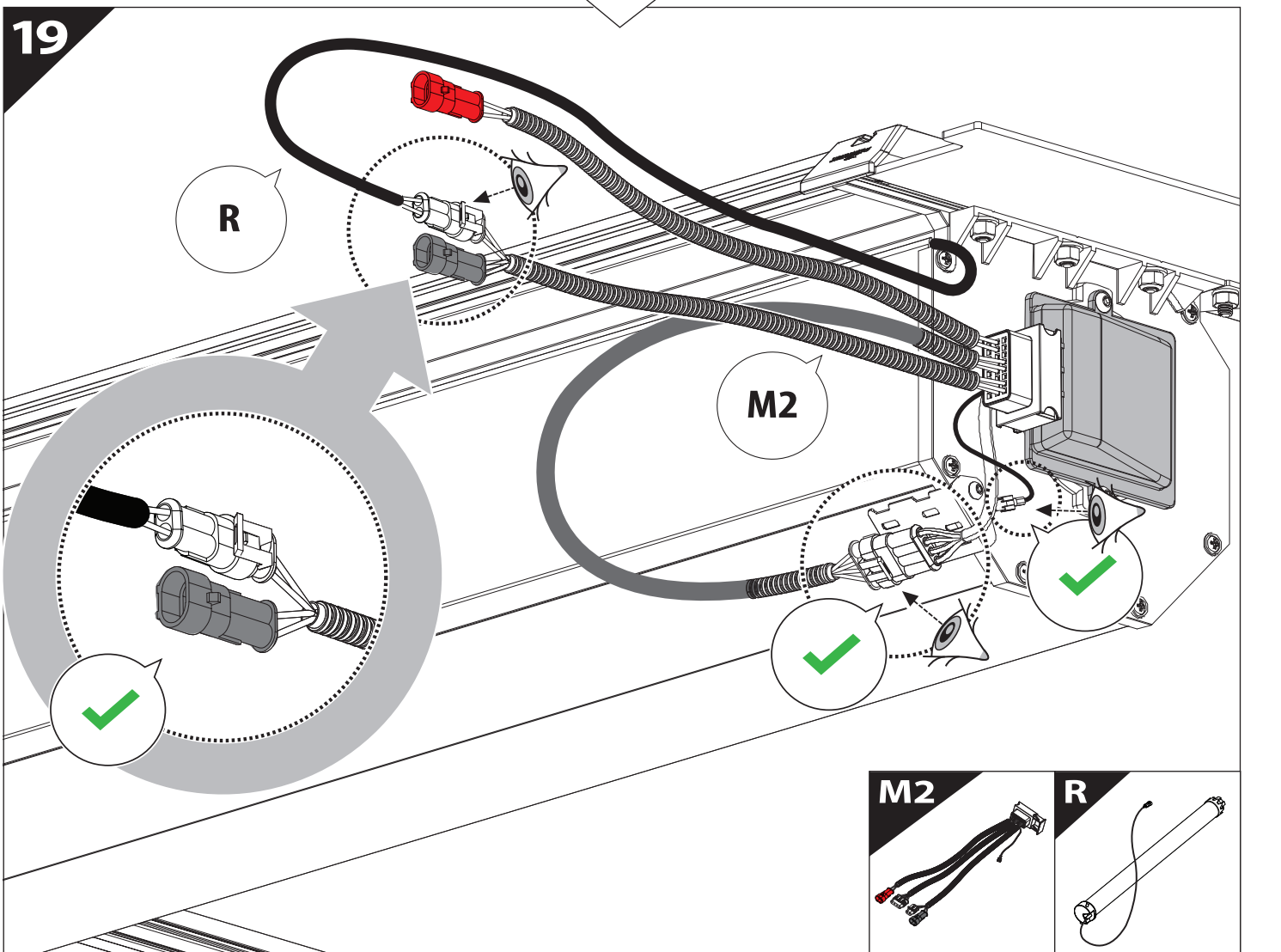
17



18

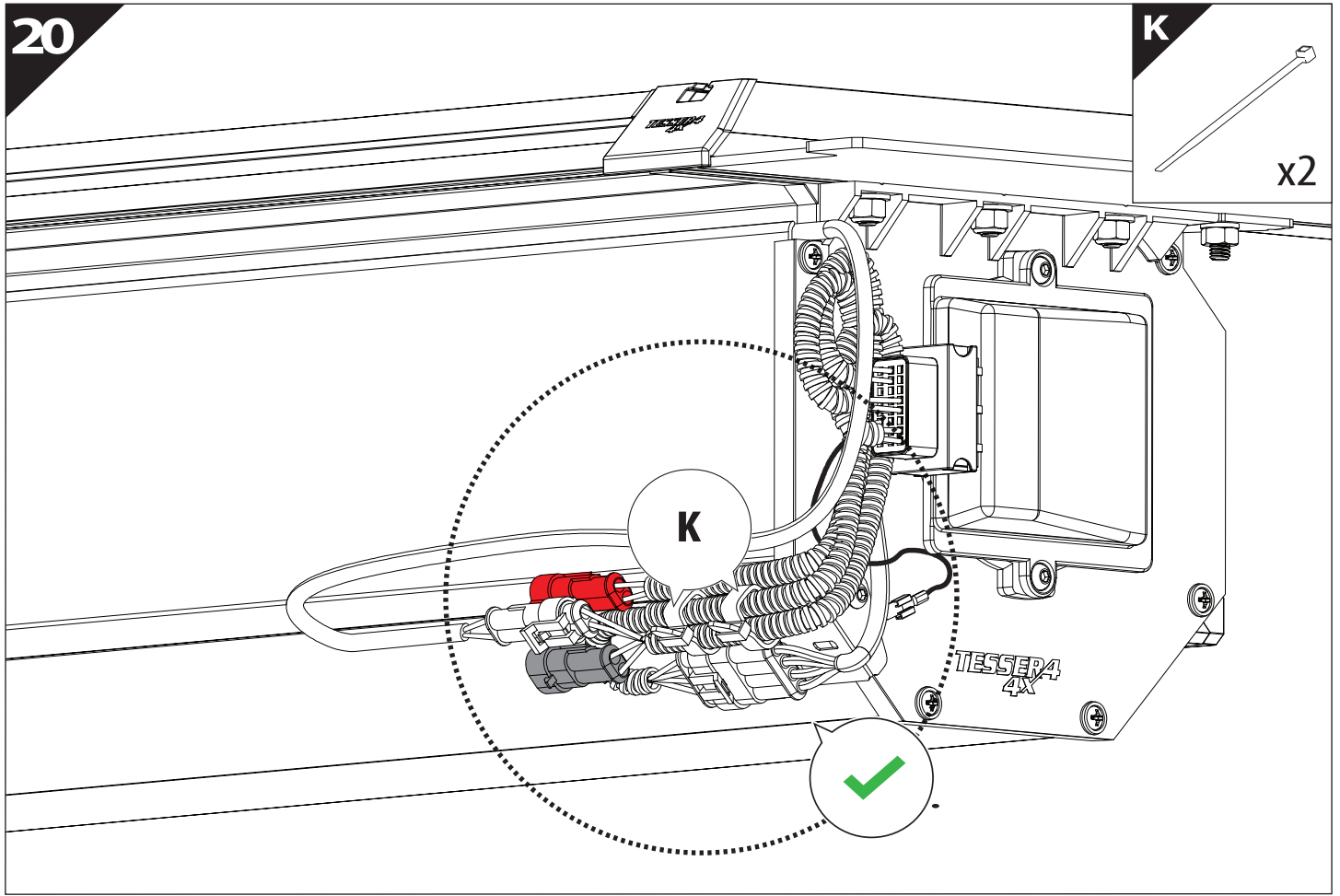


19

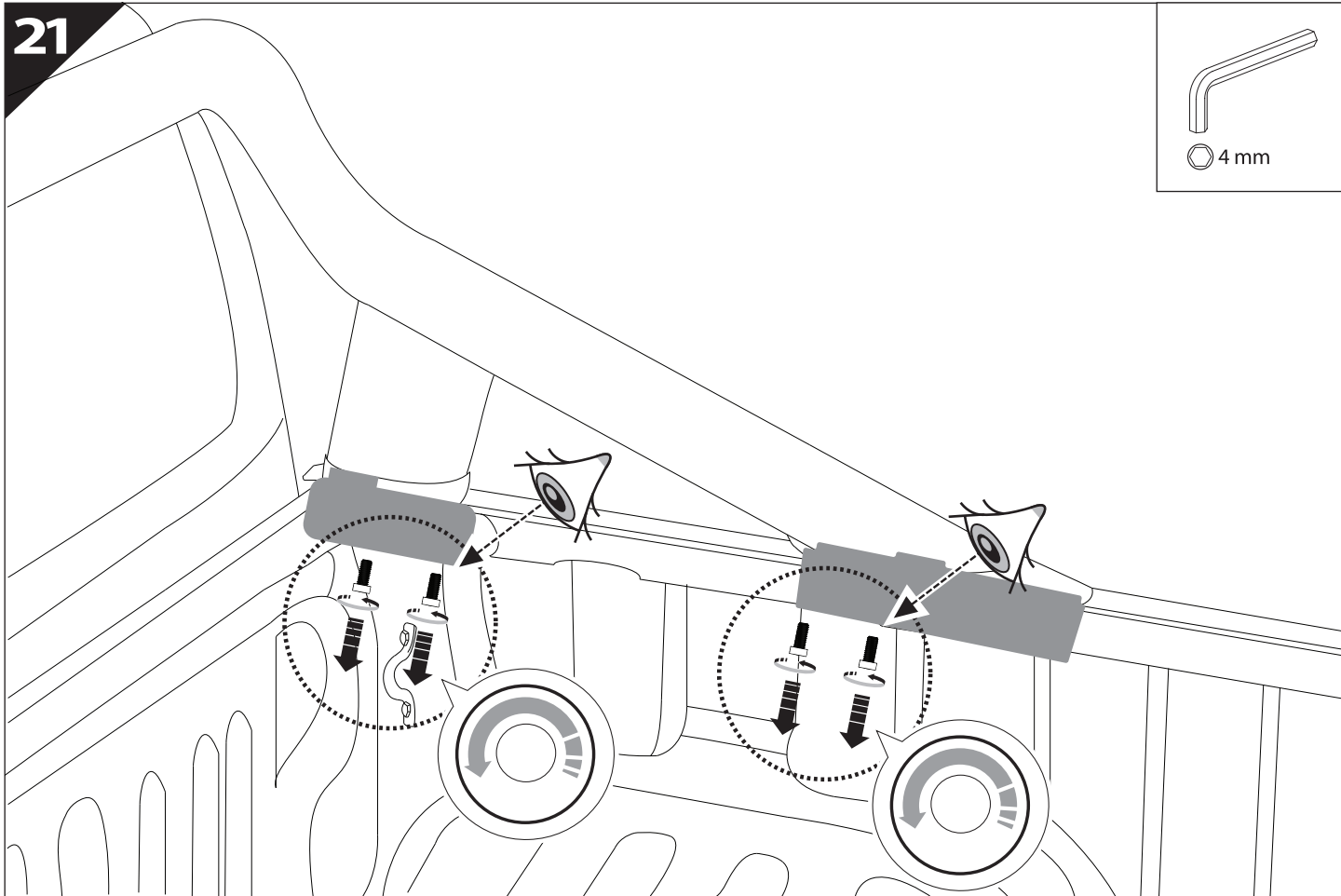
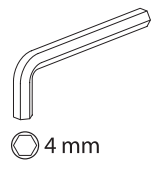


20

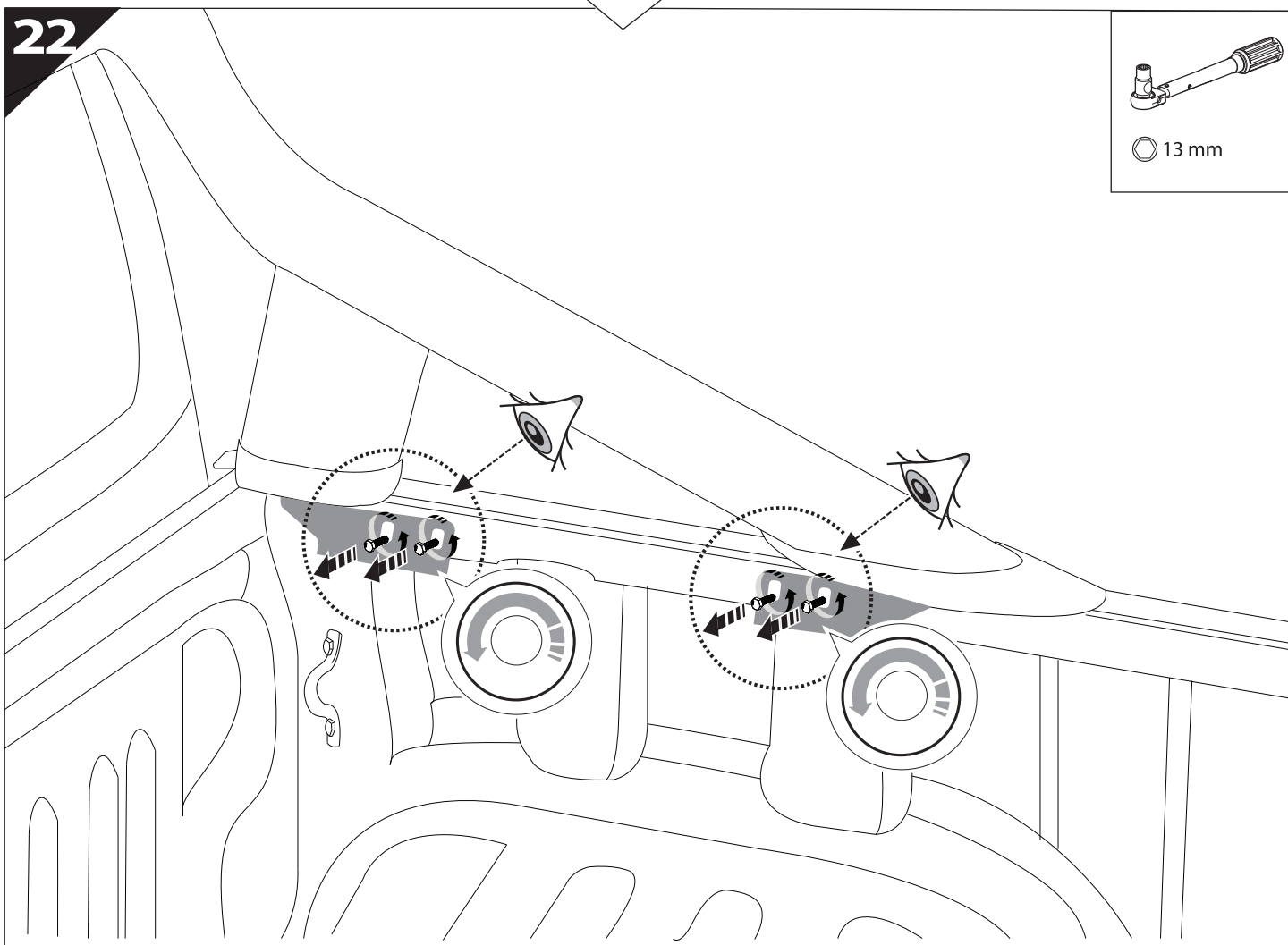
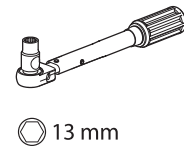
K



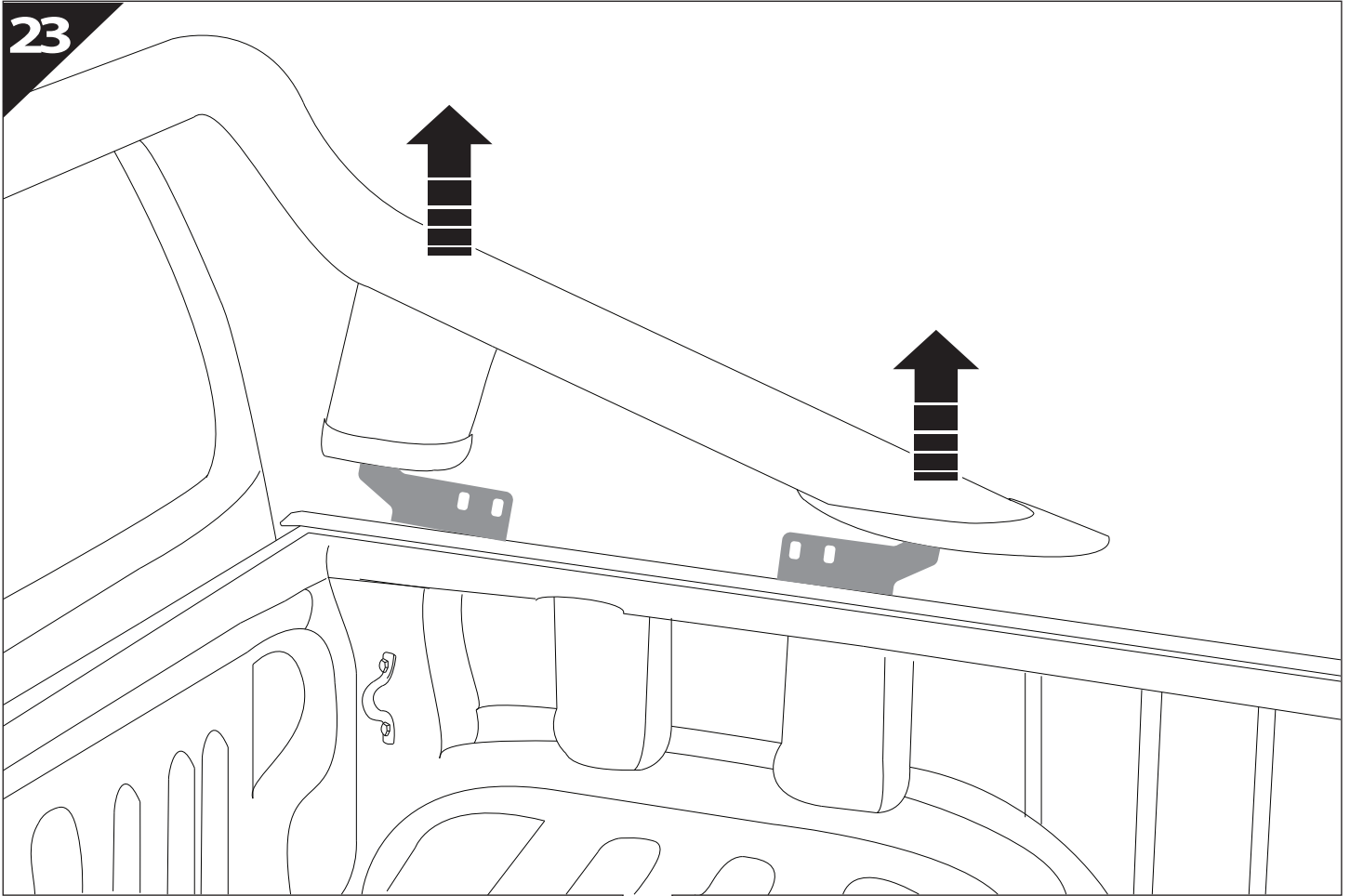
21



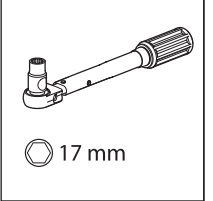
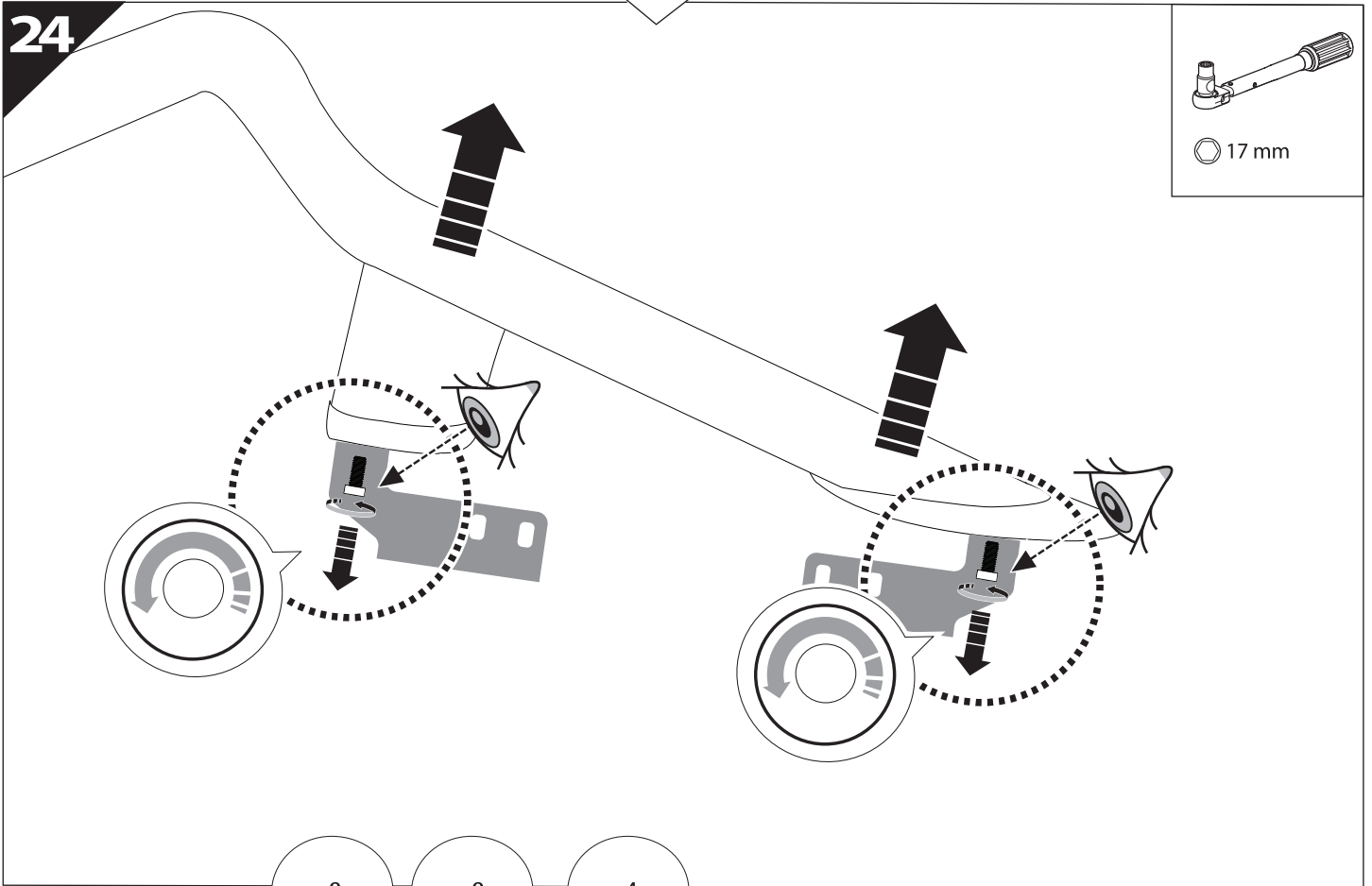
22



23



24

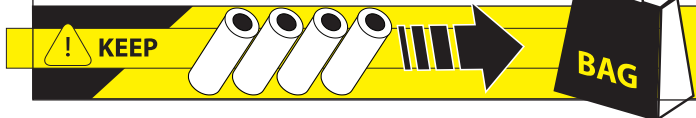
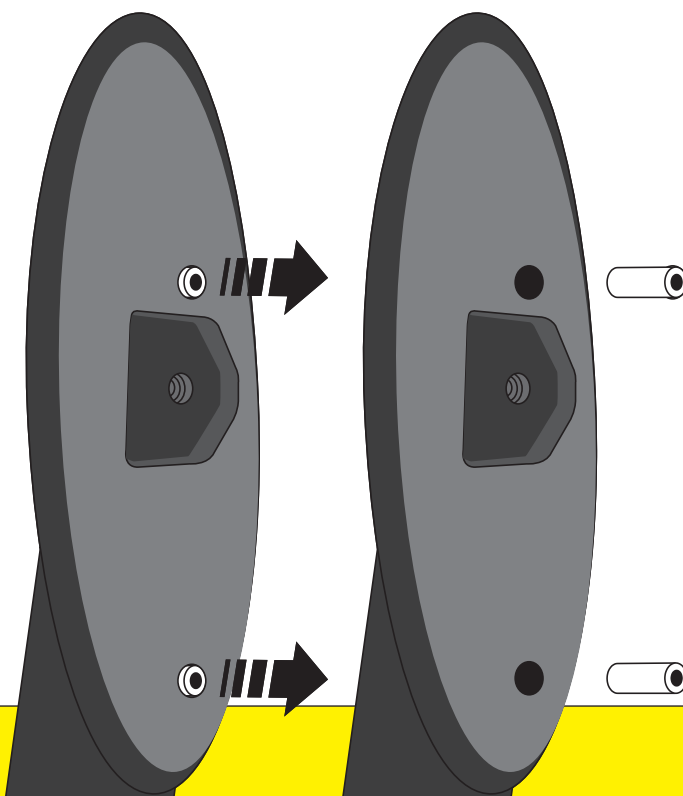
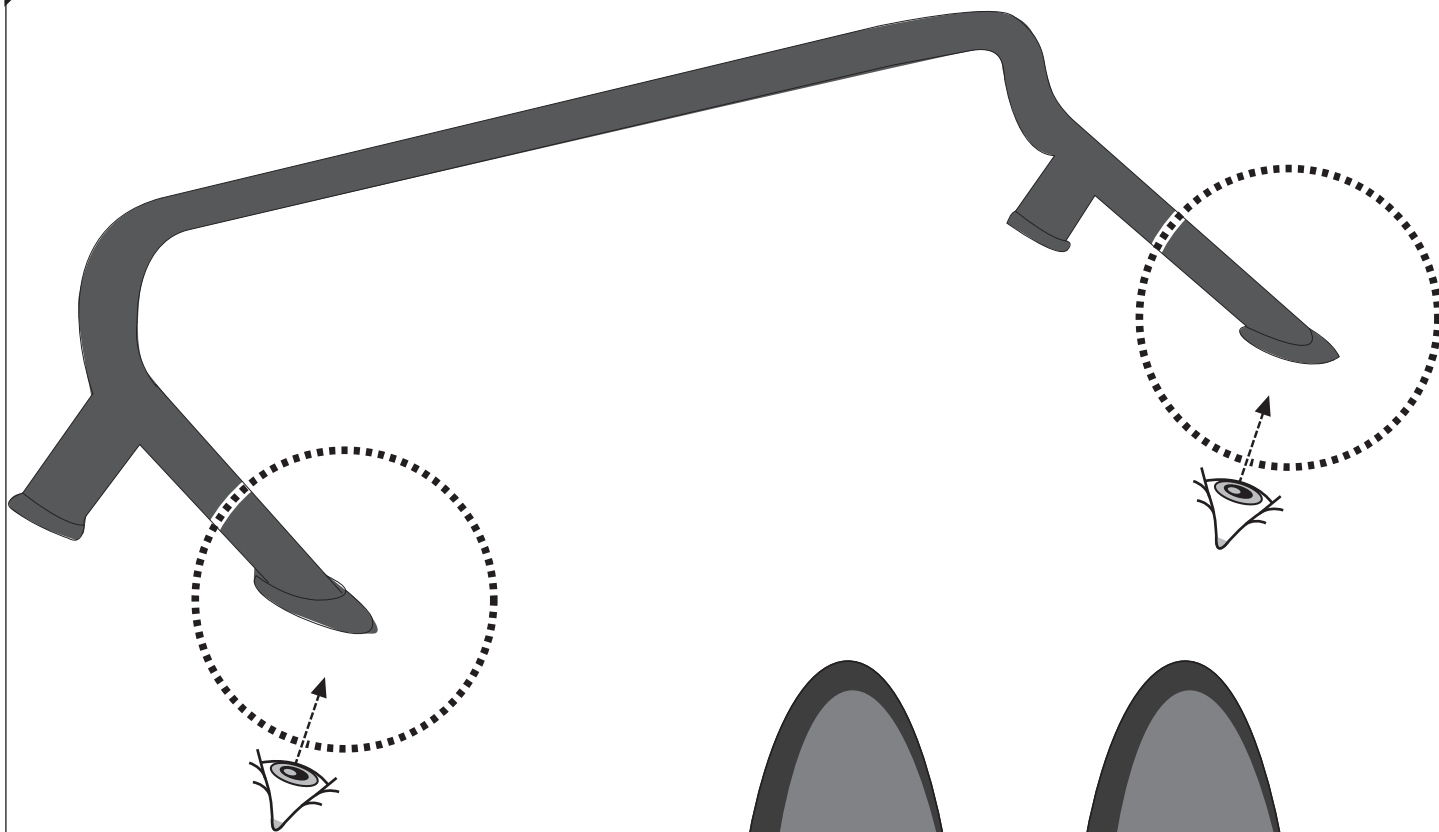


x8

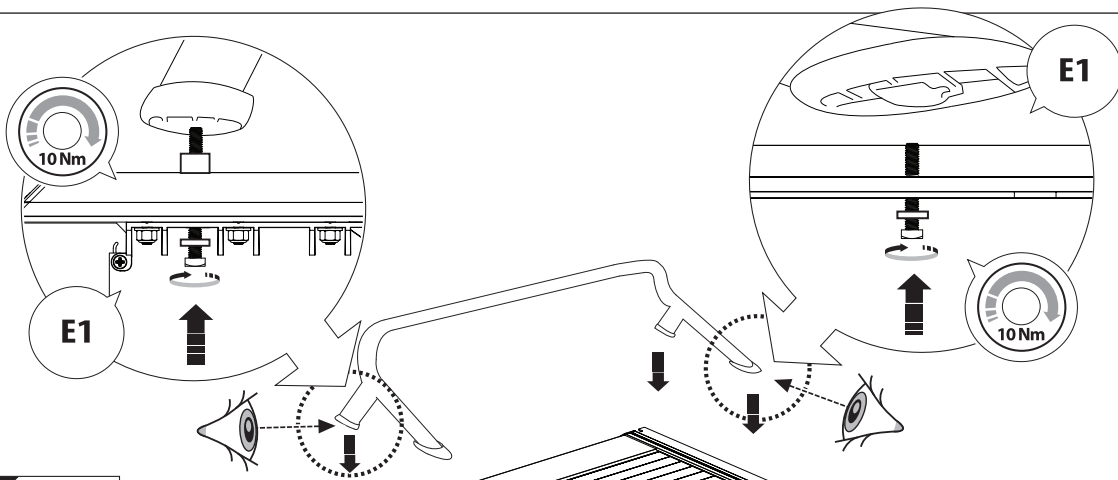
x8

x4



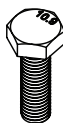


25

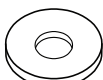


E1

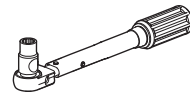
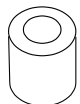
4x
M10x40



4x
Ø10



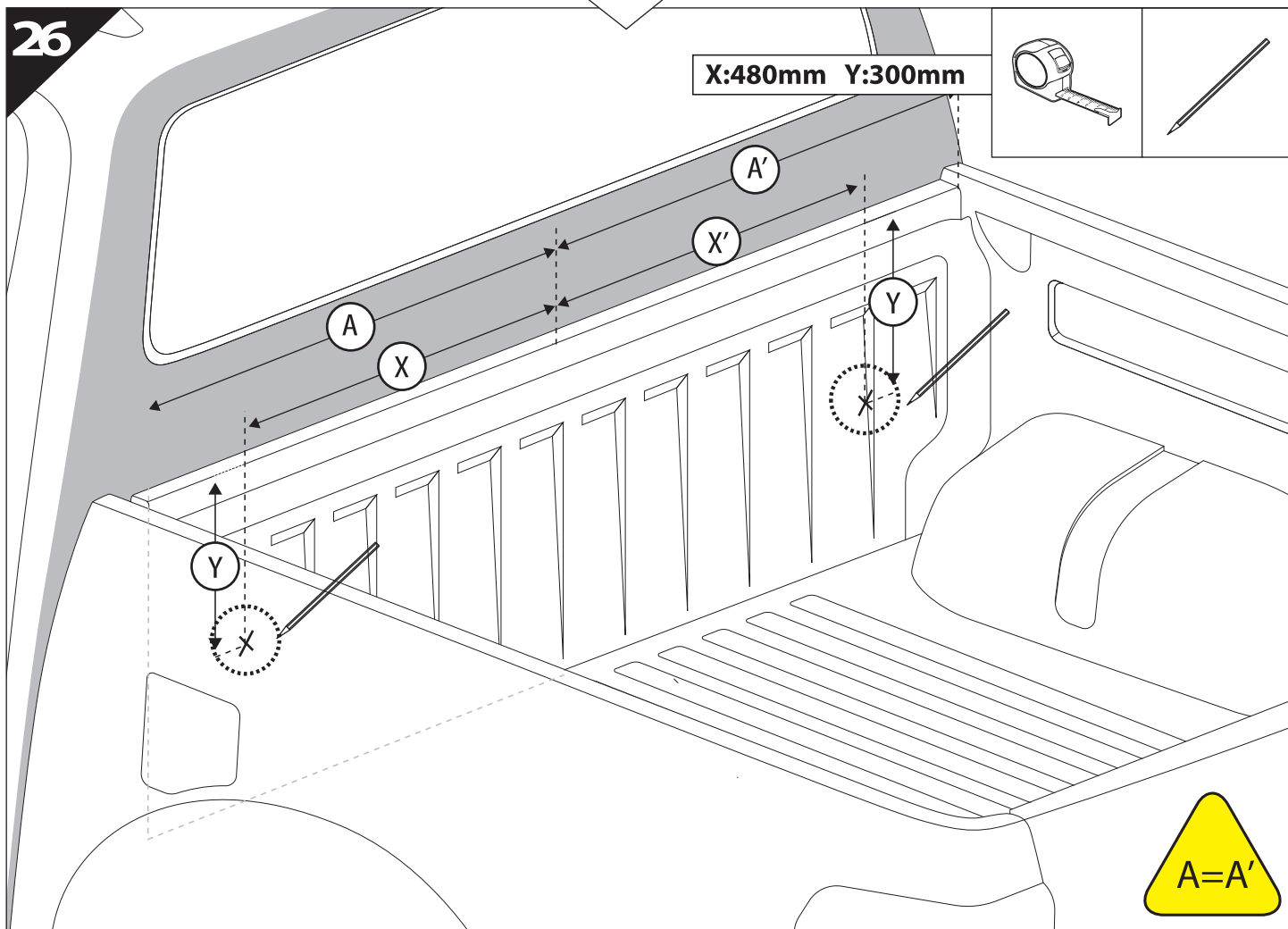
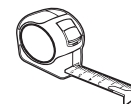
2x
18mm



17 mm

26

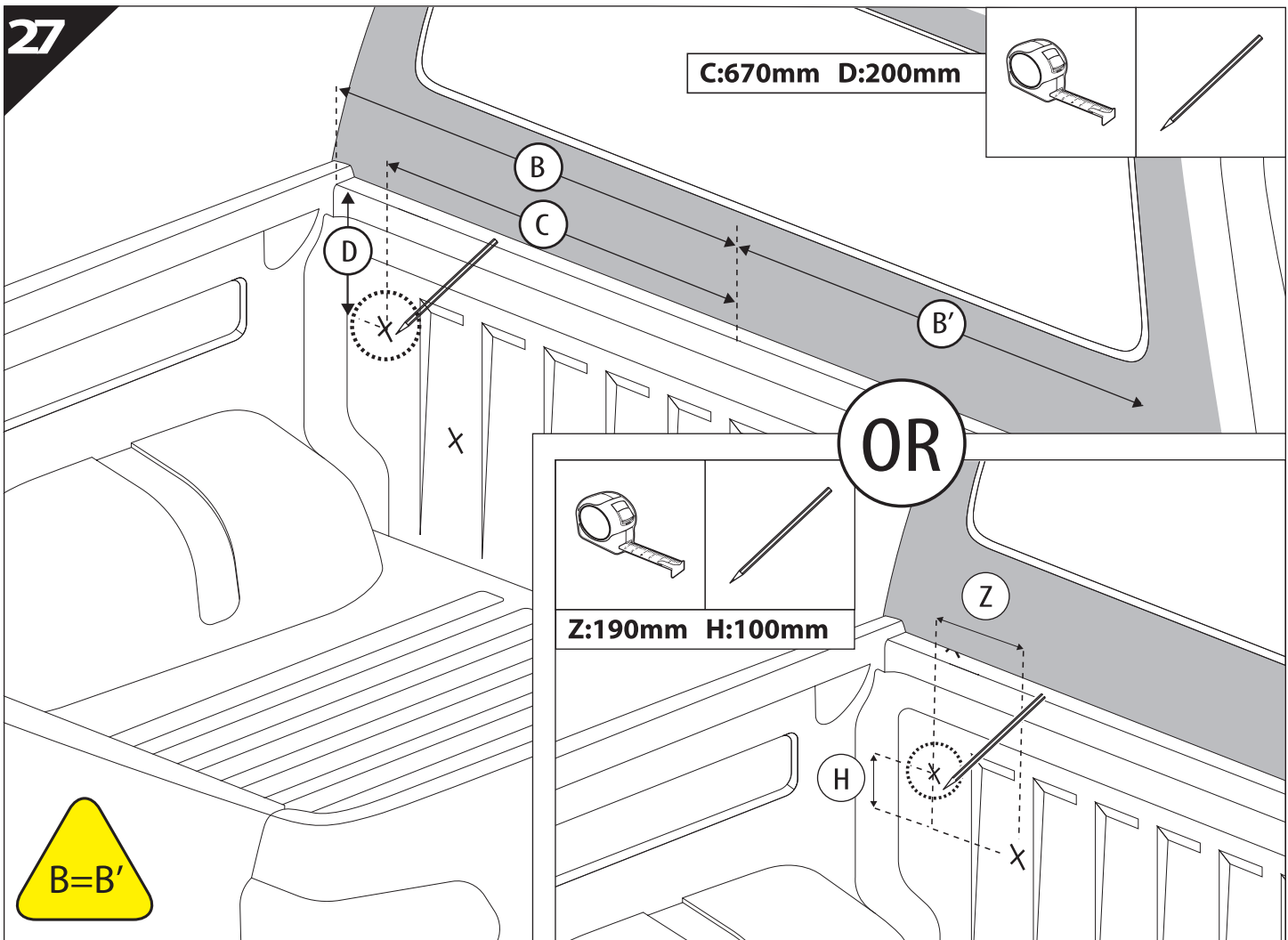
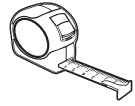
X:480mm Y:300mm



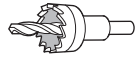
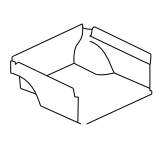
A=A'

27

C:670mm D:200mm

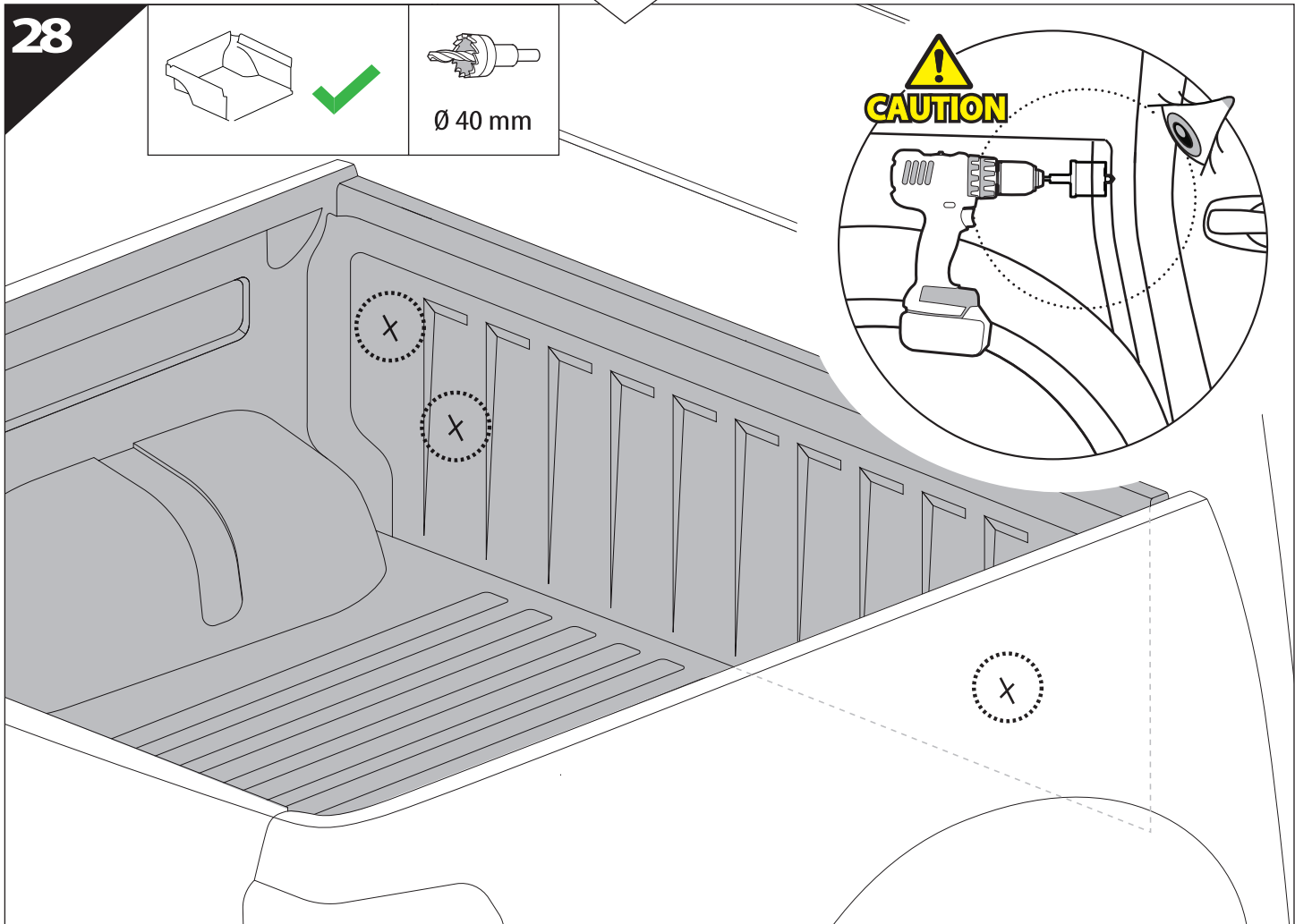
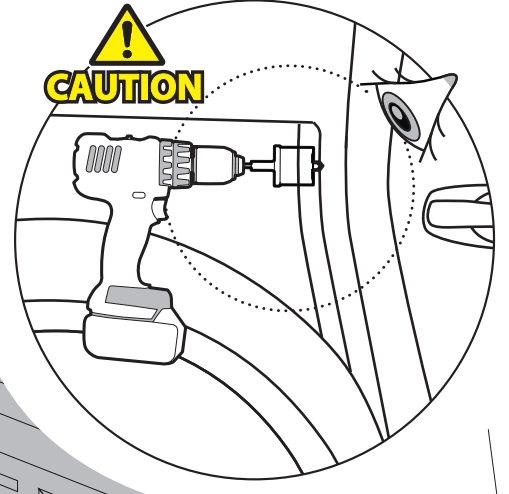


28

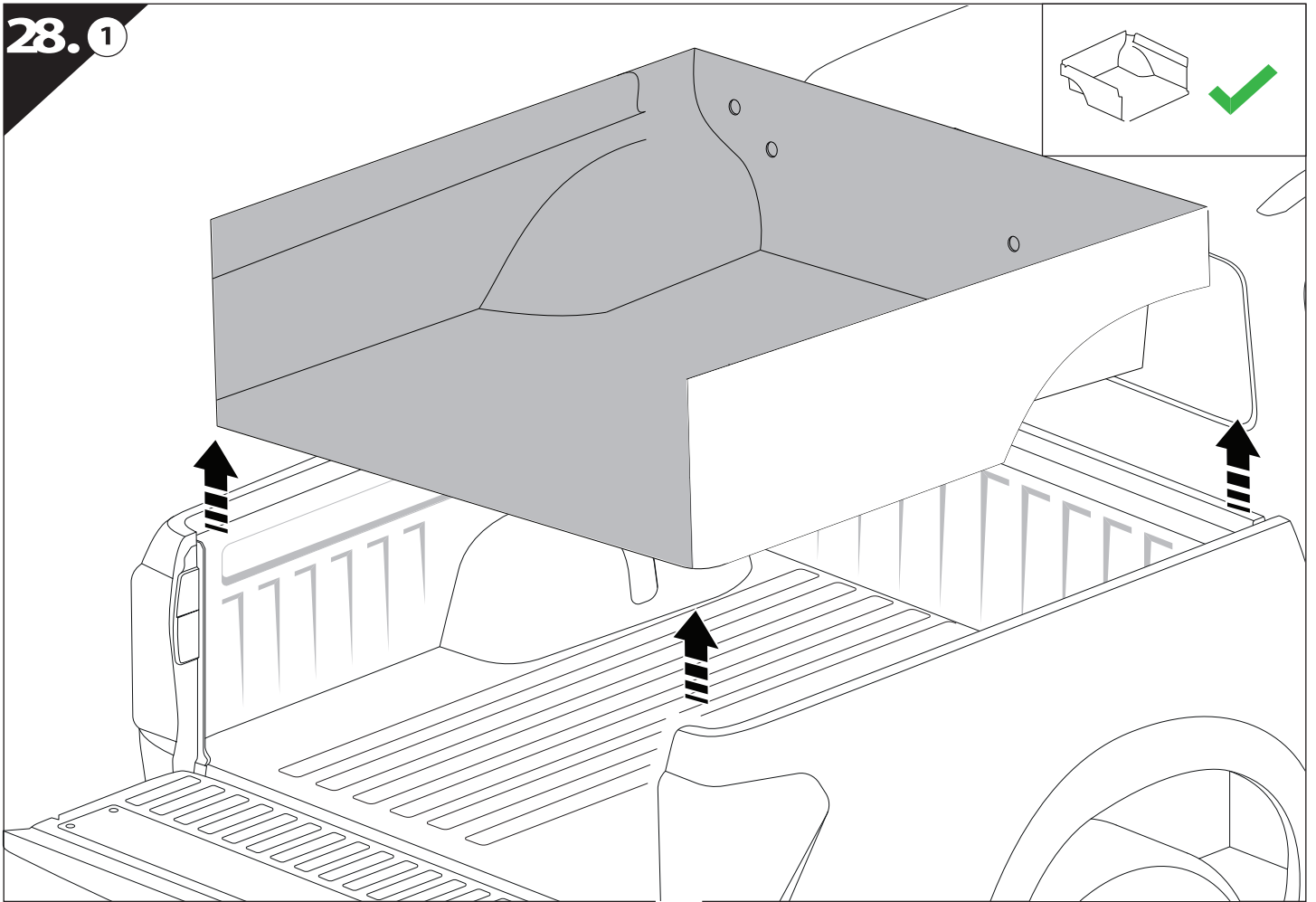


Ø 40 mm

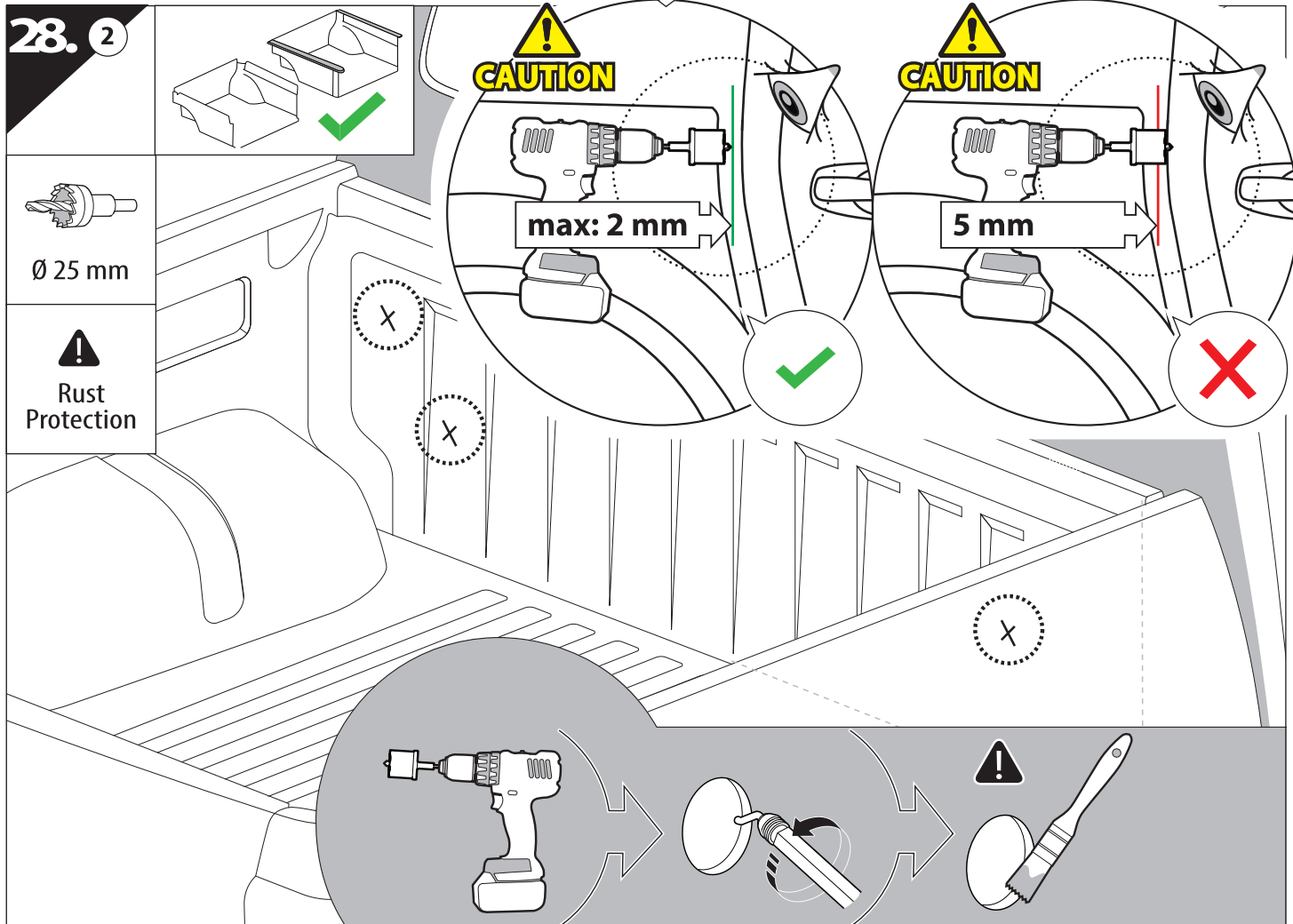
CAUTION

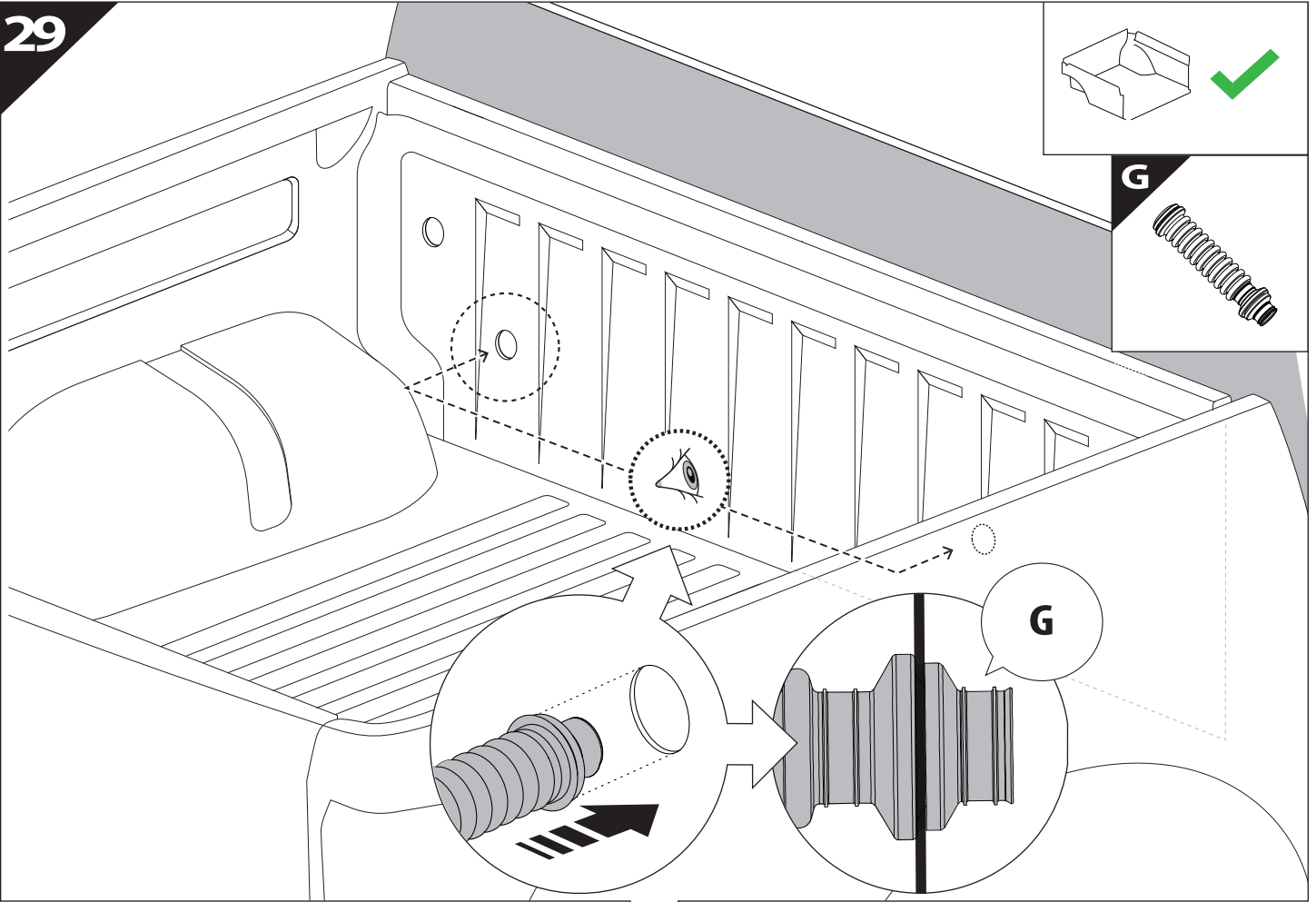


28. 1

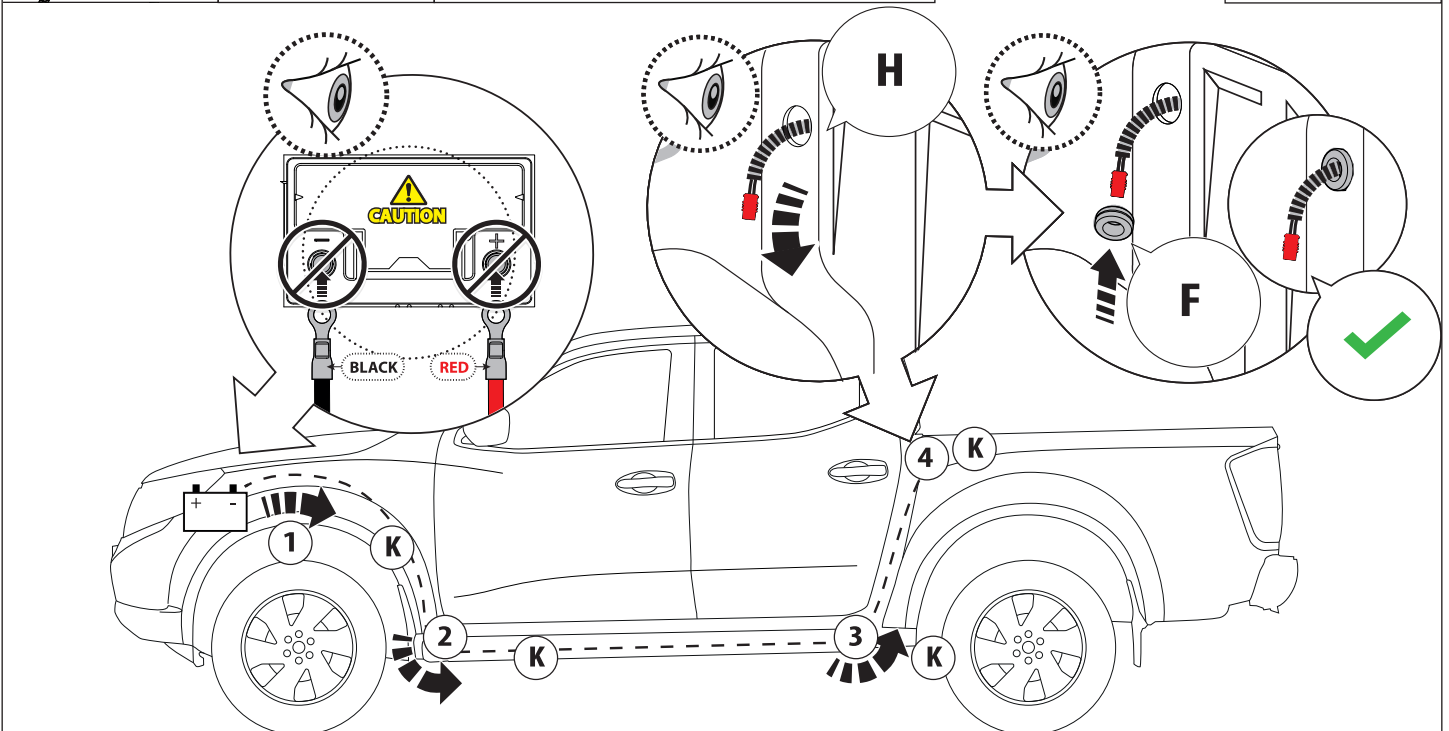
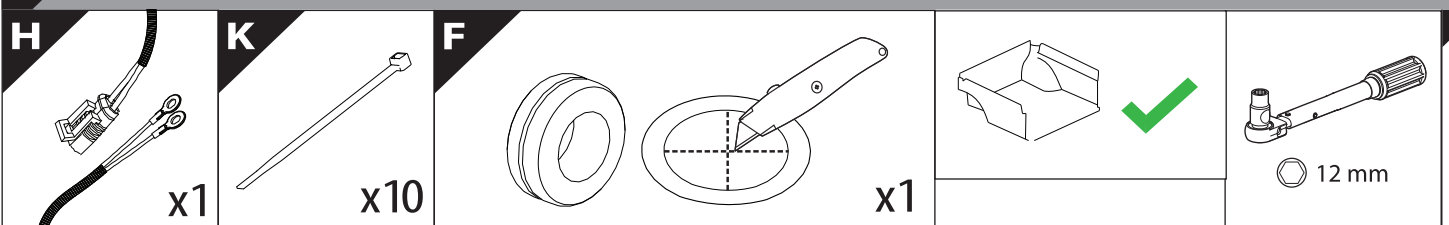


28. 2

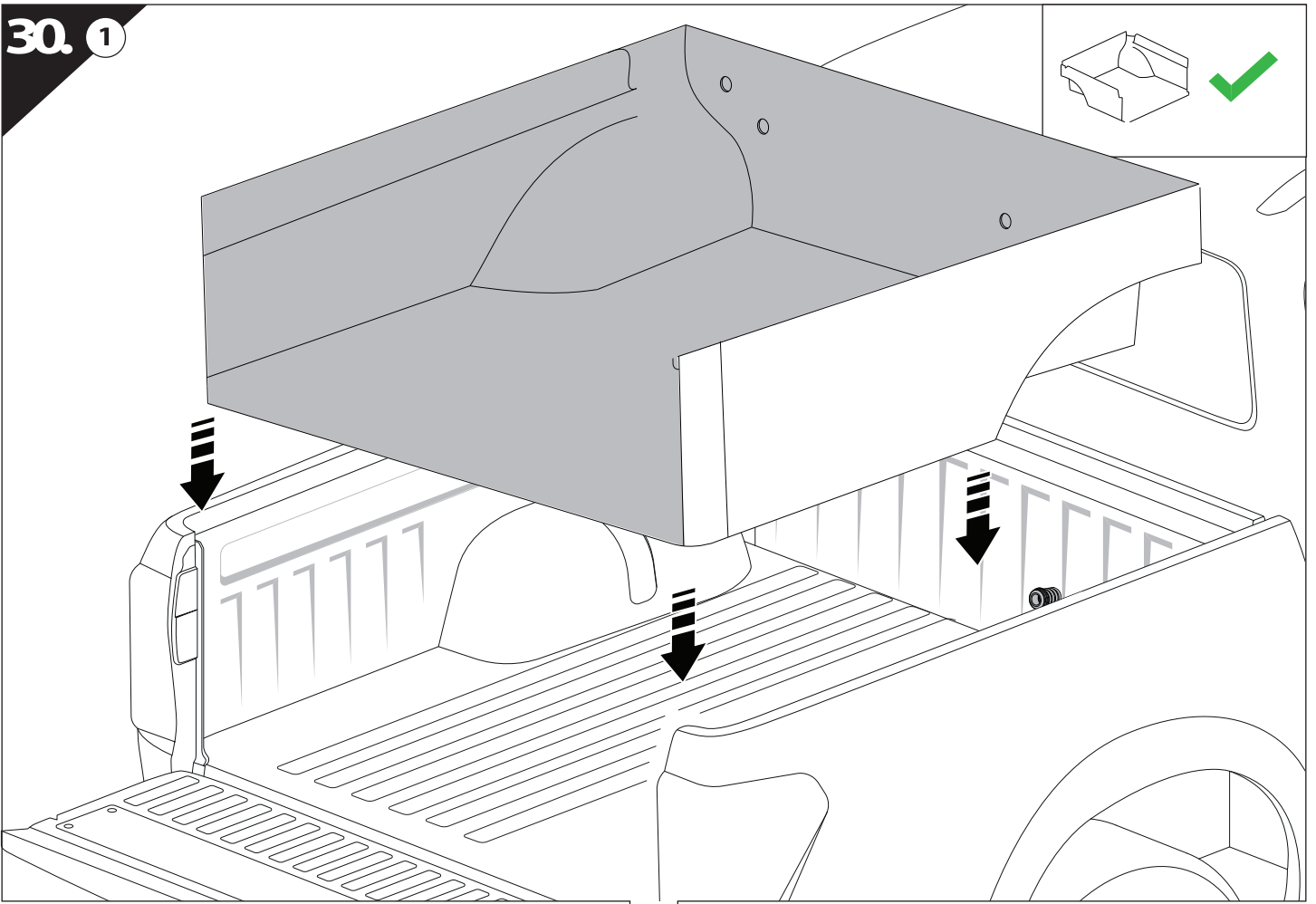




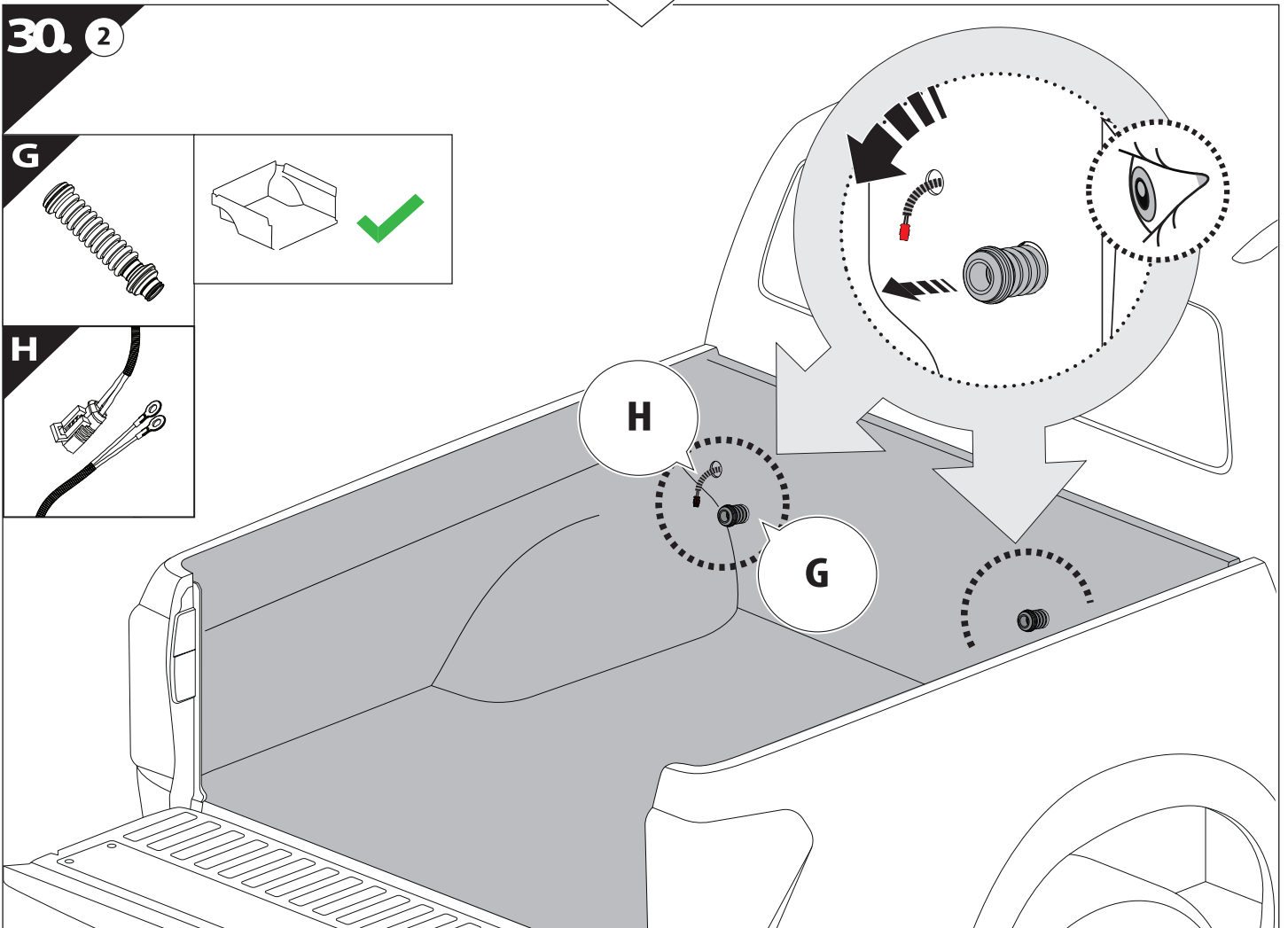
30 Only to be installed by authorized personnel



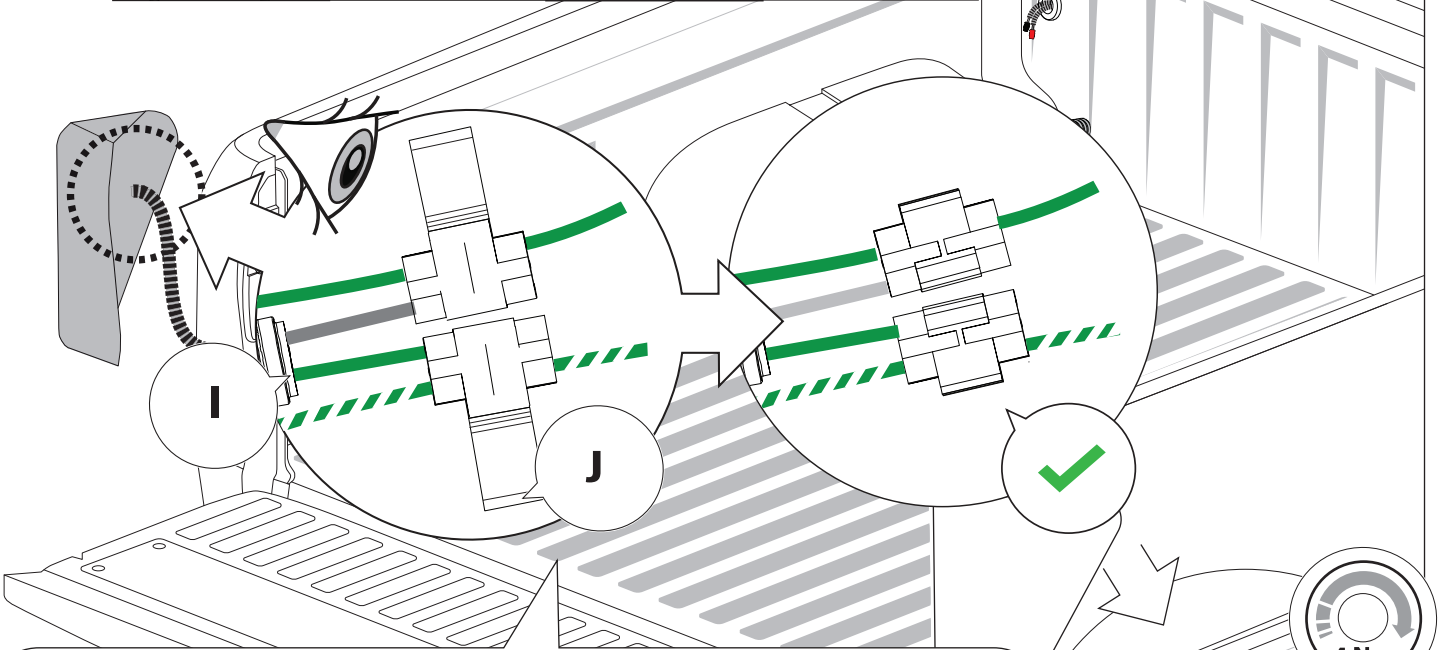
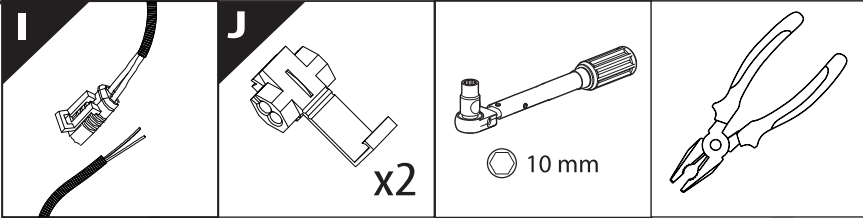
30. ①



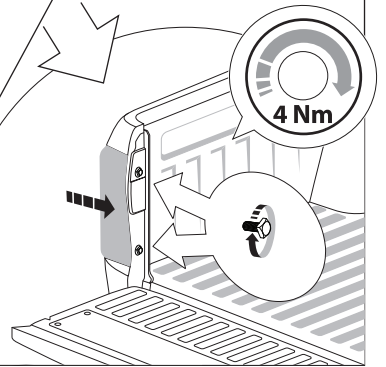
30. ②



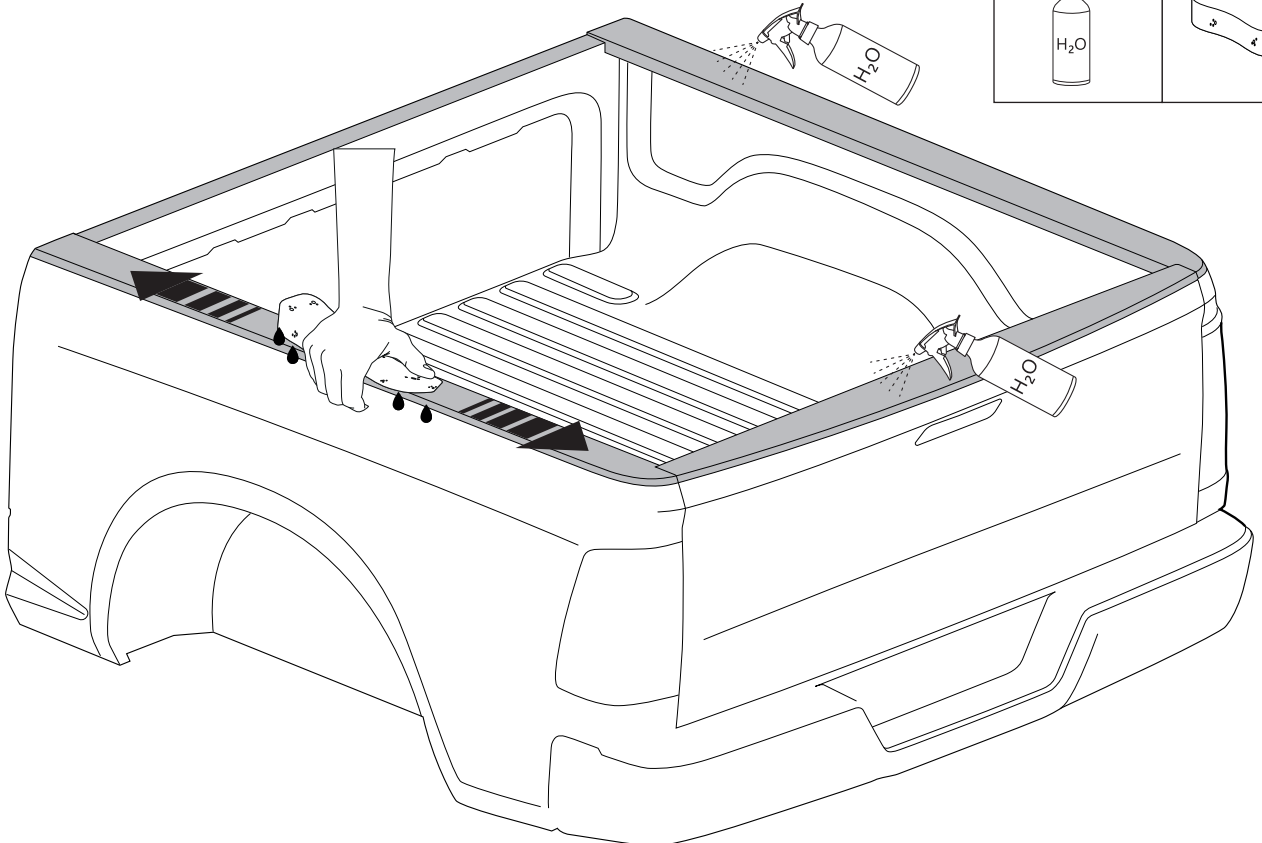
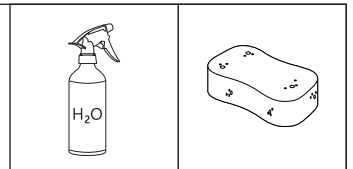
33

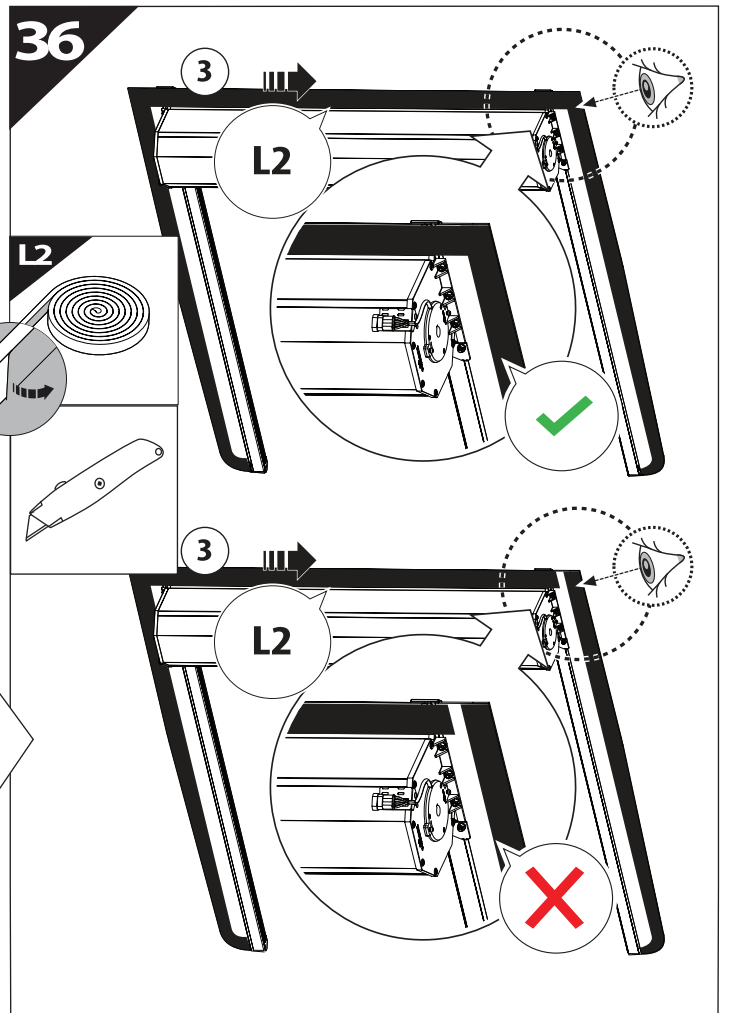
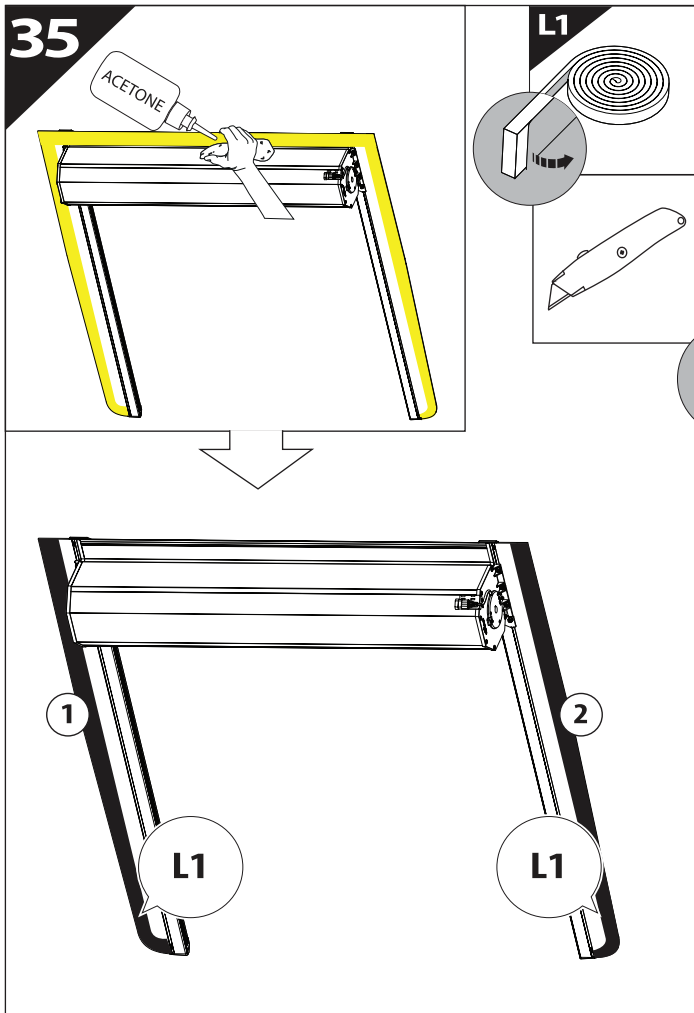


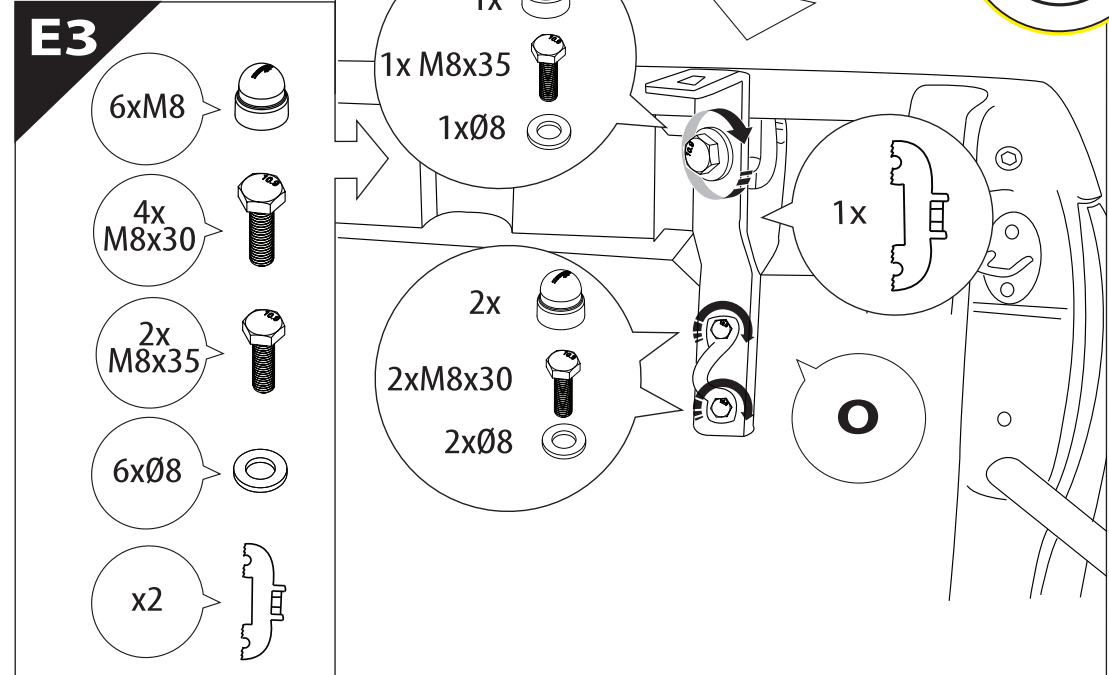
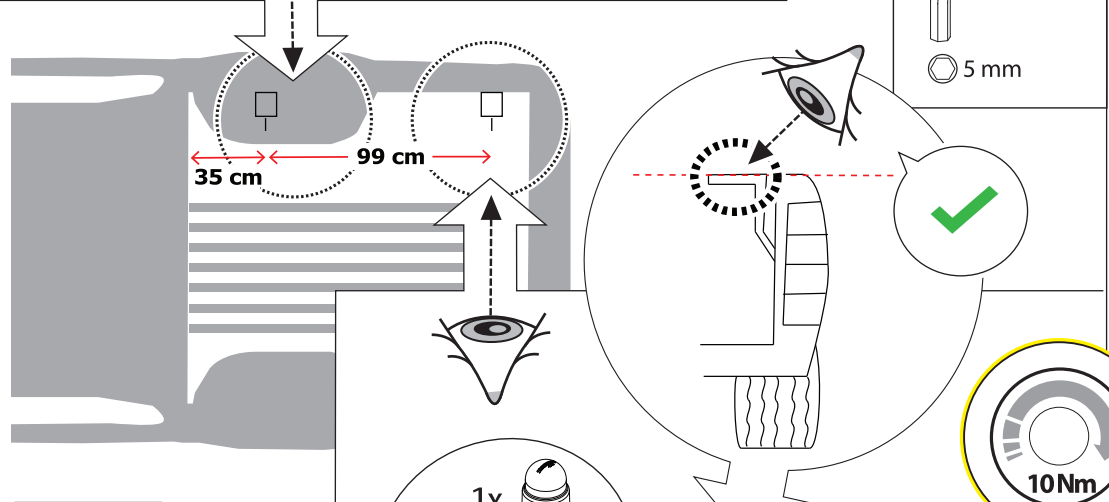
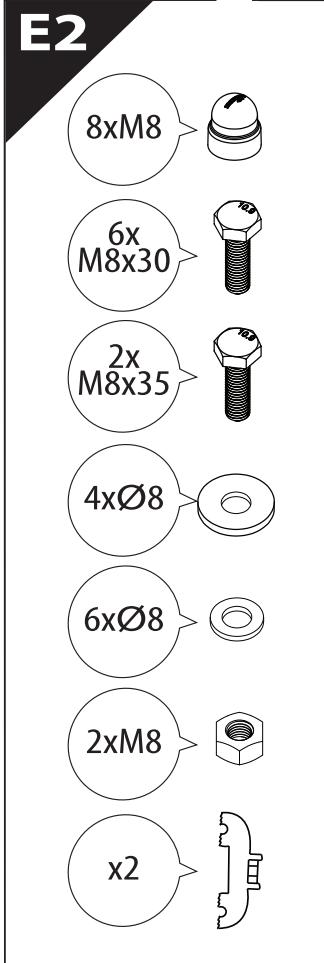
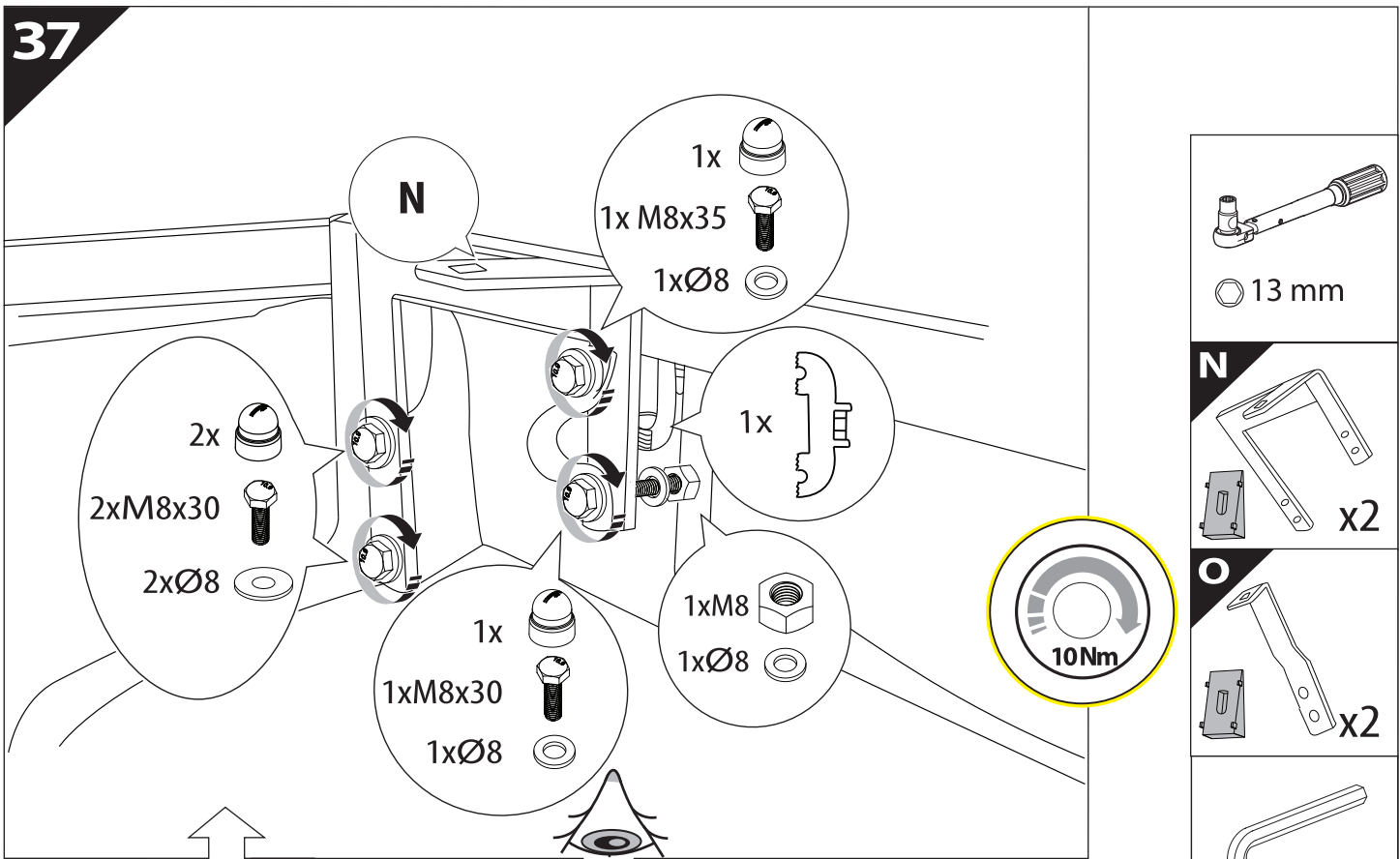
MODEL YEAR	LIGHTS	CAR	TESSERA ROLL+
HILUX 2016+/2021+	BEAM		
HILUX 2016+	STOP		
HILUX 2021+	STOP		

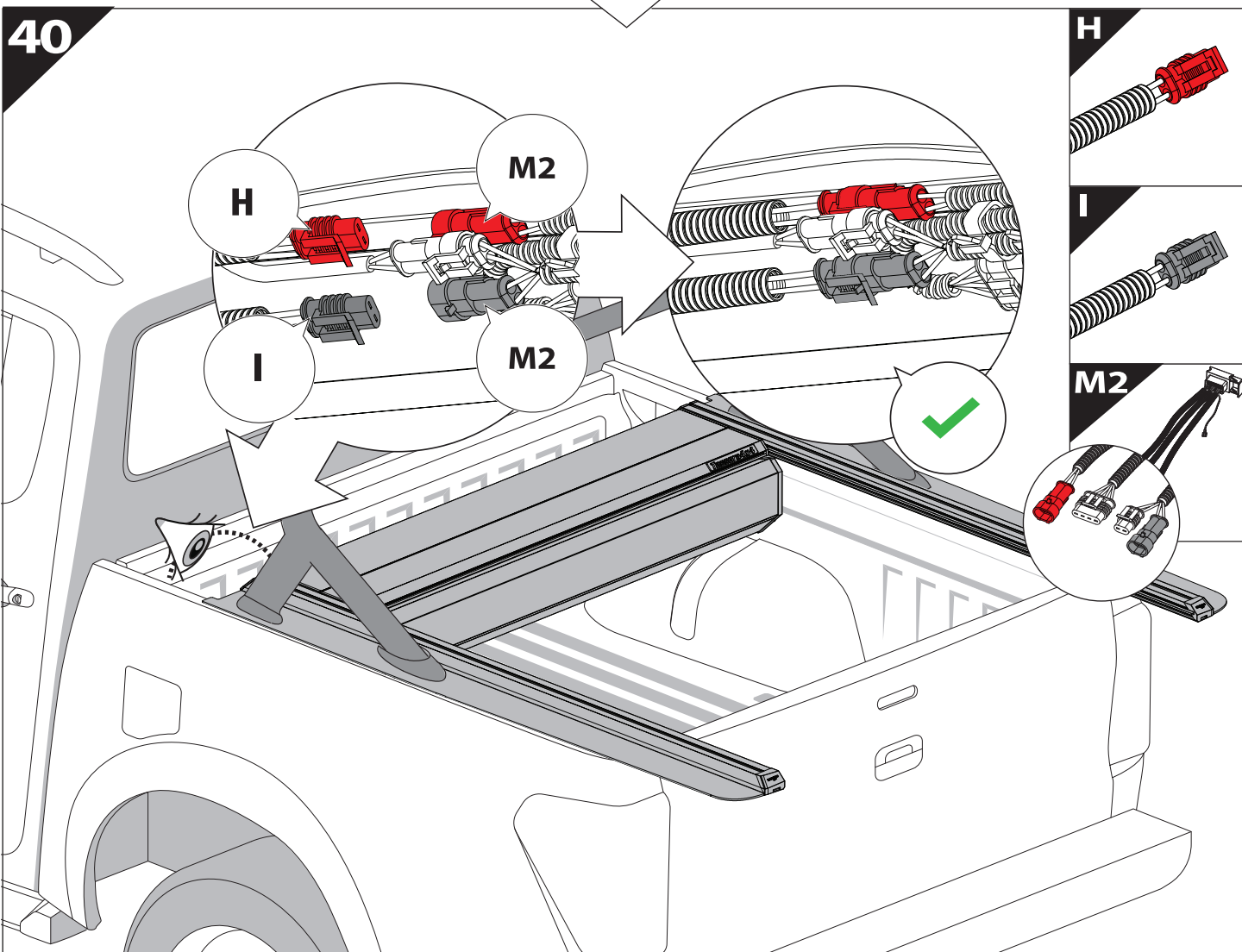
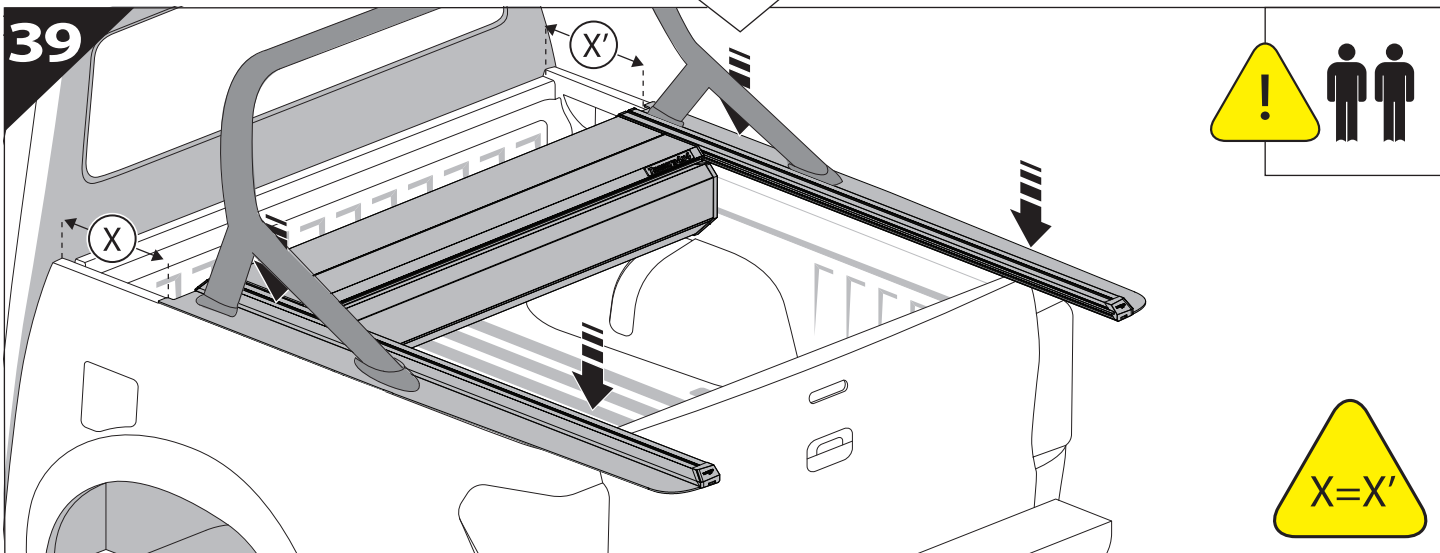
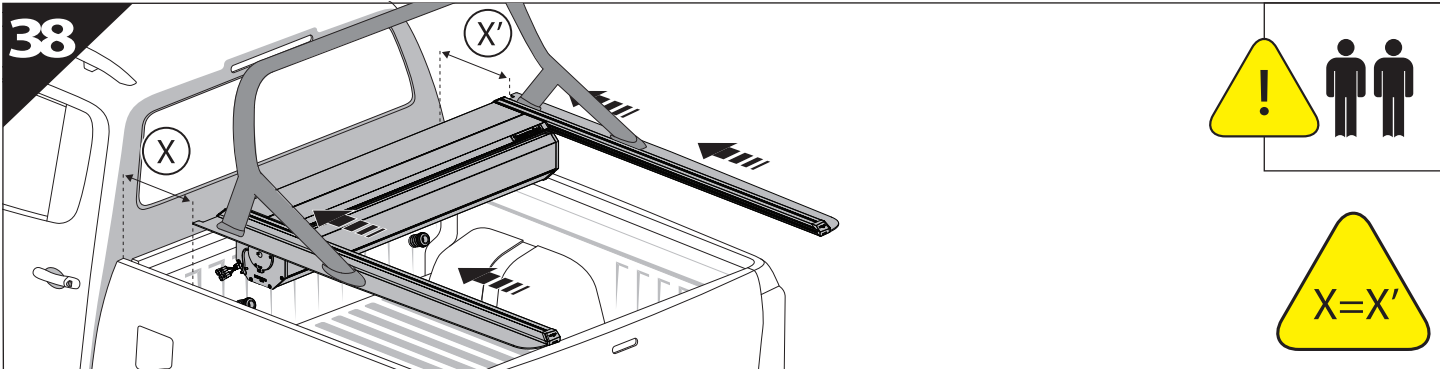


34



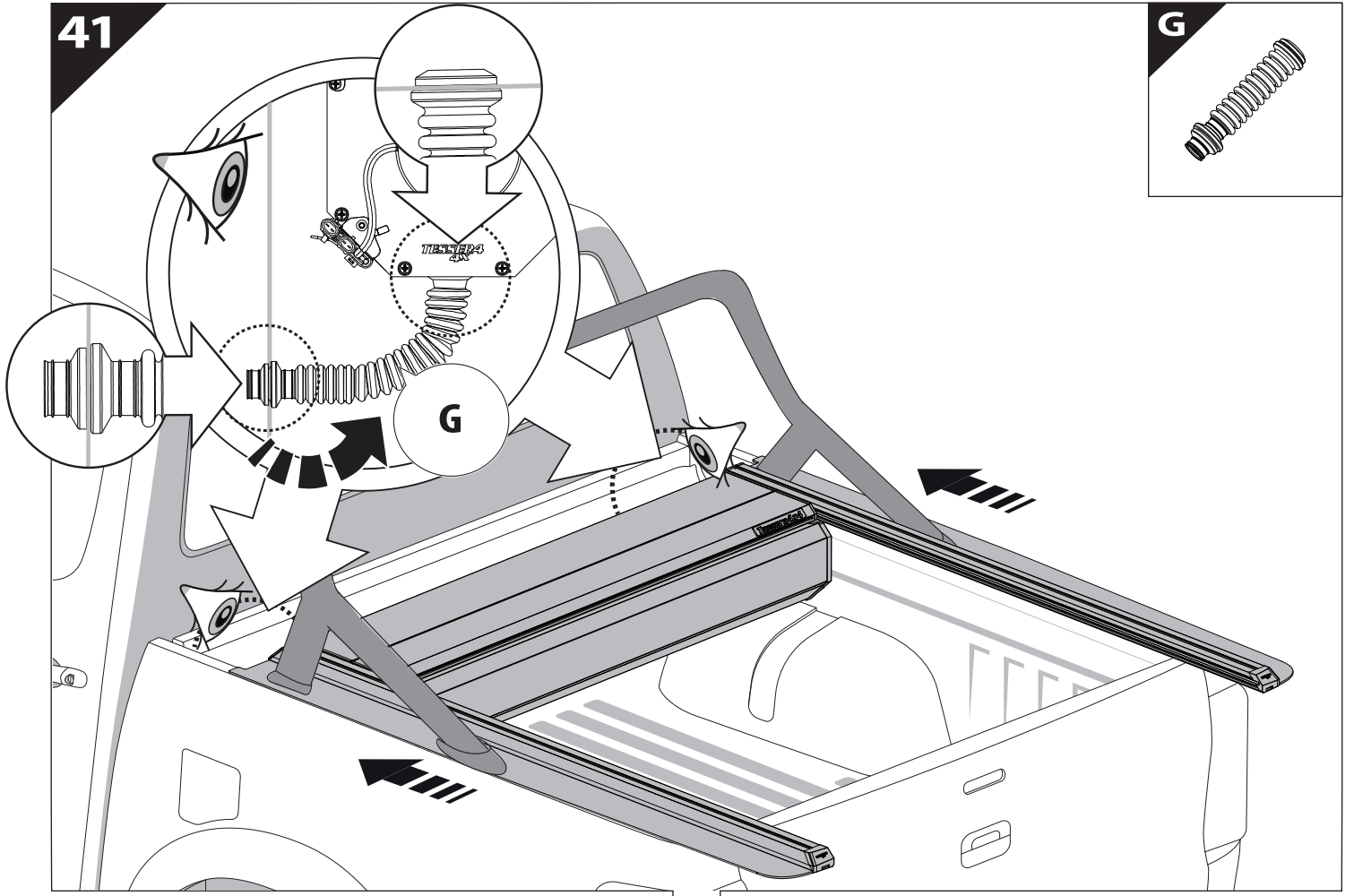




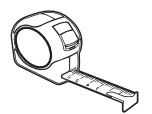
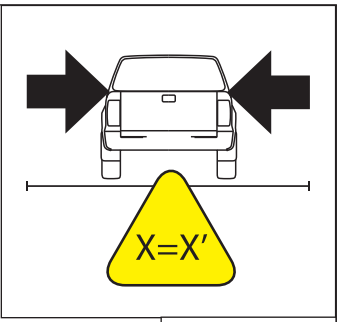
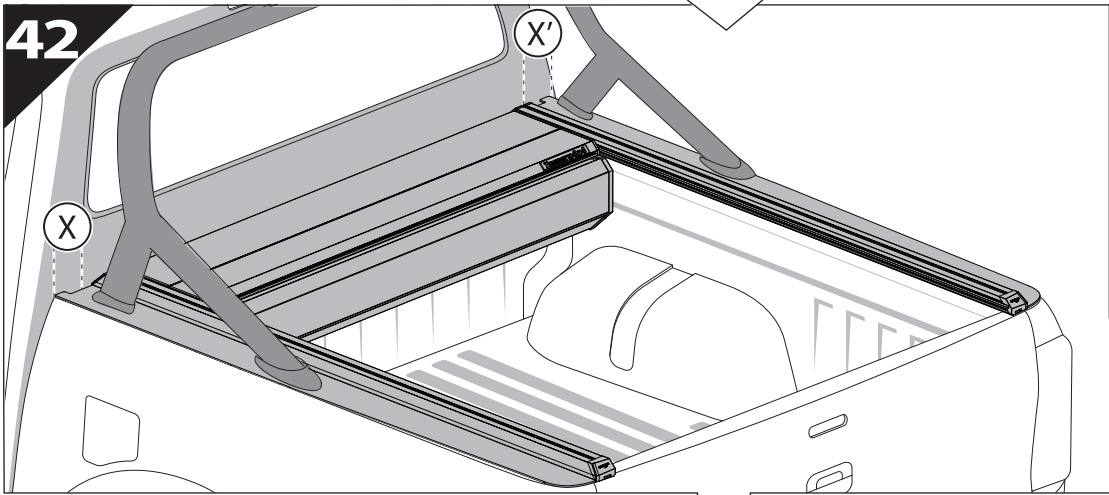


41

G

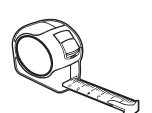
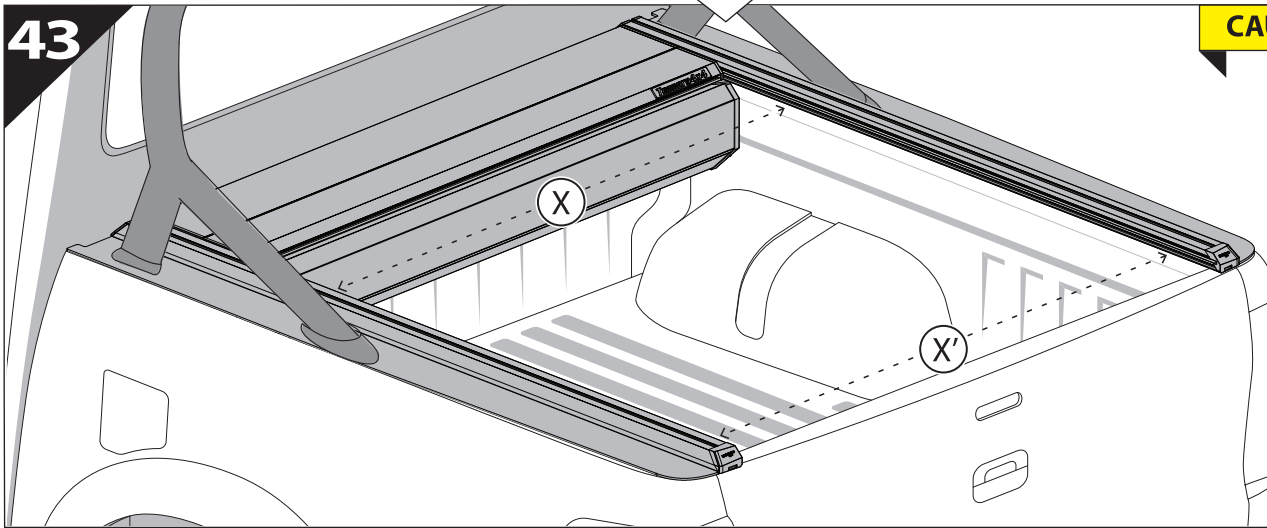


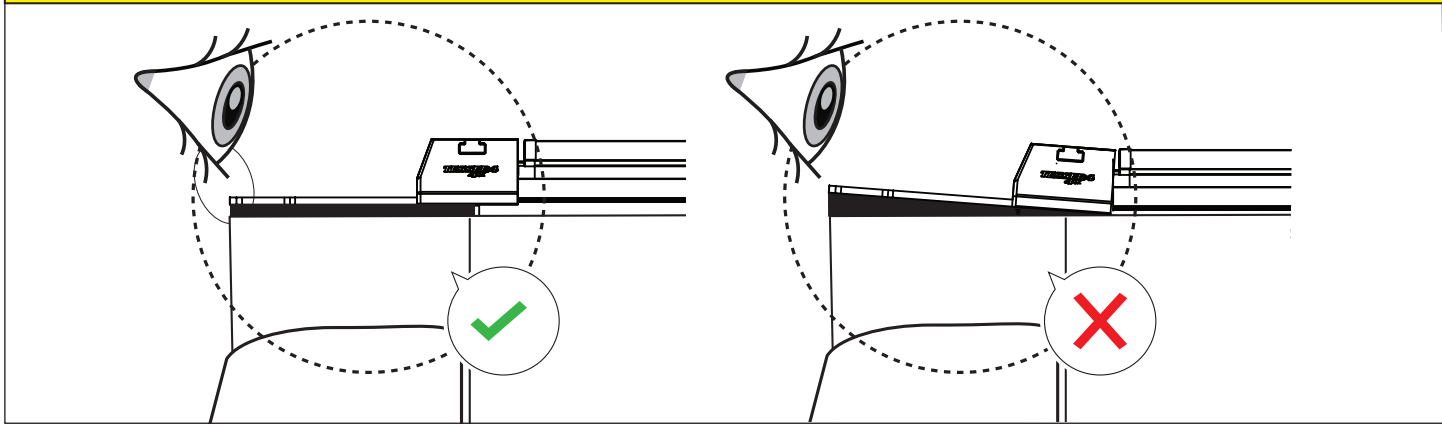
42



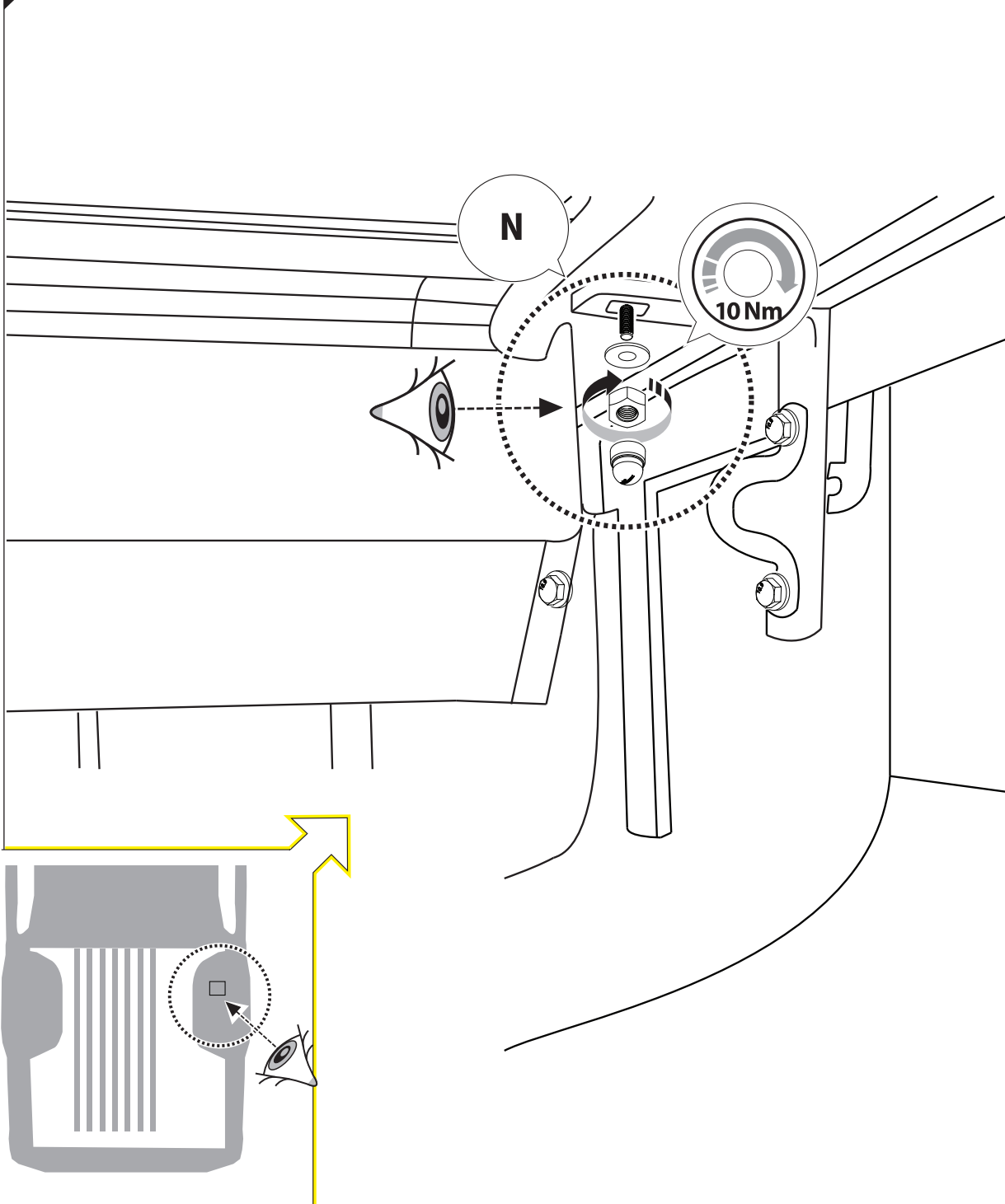
43

CAUTION !





44



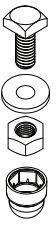
- E**
- 1 bolt
 - 1 washer
 - 1 nut
 - 1 sleeve
- x2

- 1 torque wrench
- 13 mm

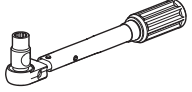
- N**
- 1 square plate
 - 1 metal plate
- x2

45

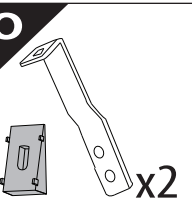
E



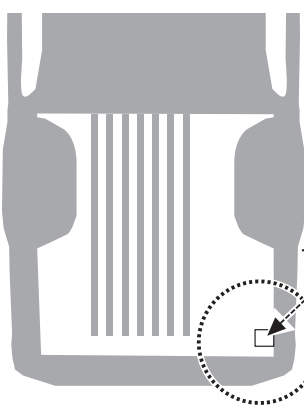
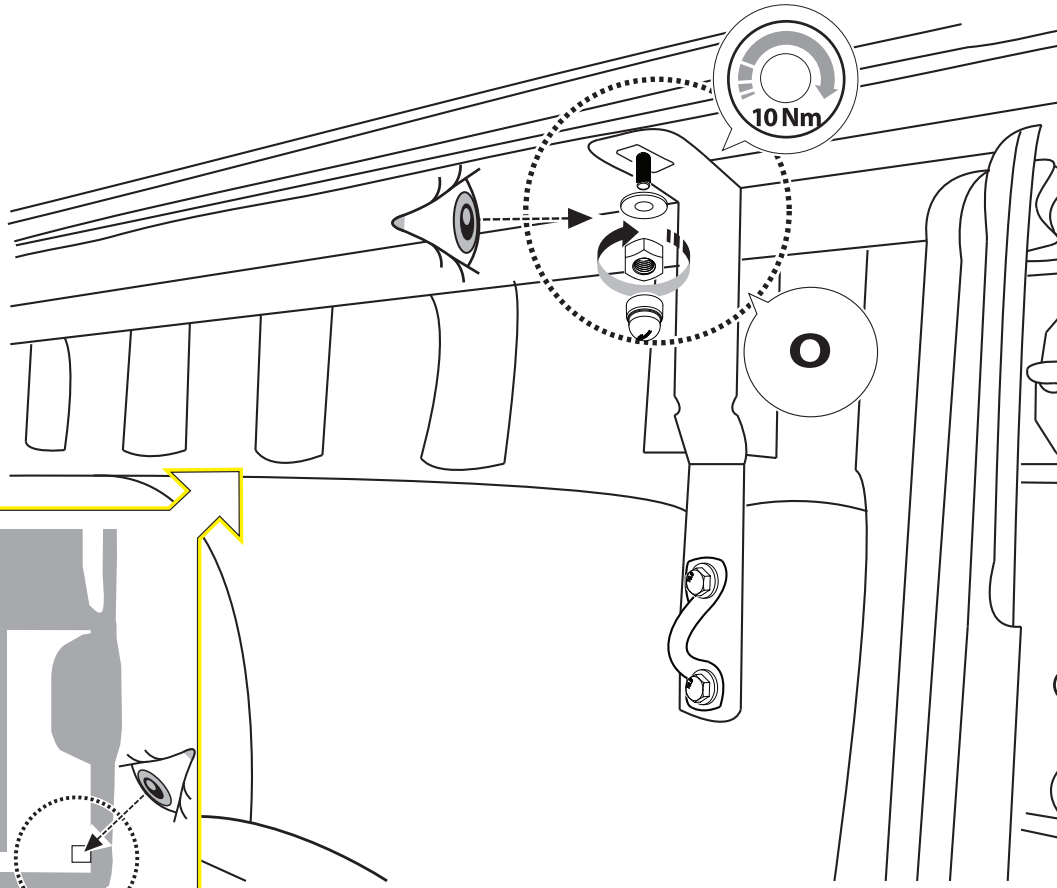
x2



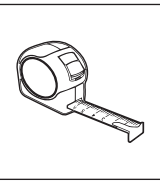
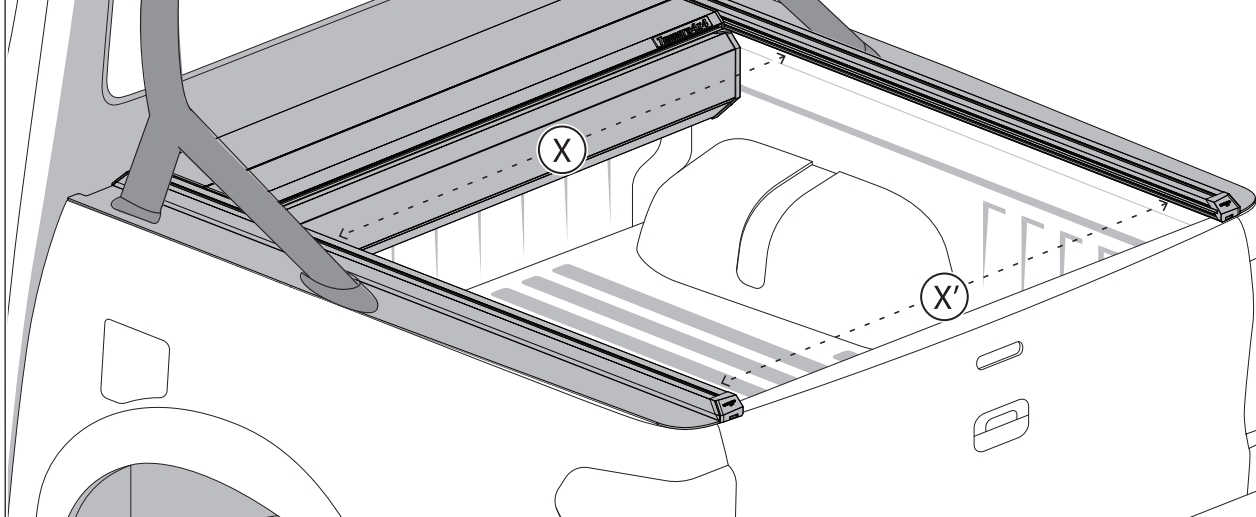
13 mm



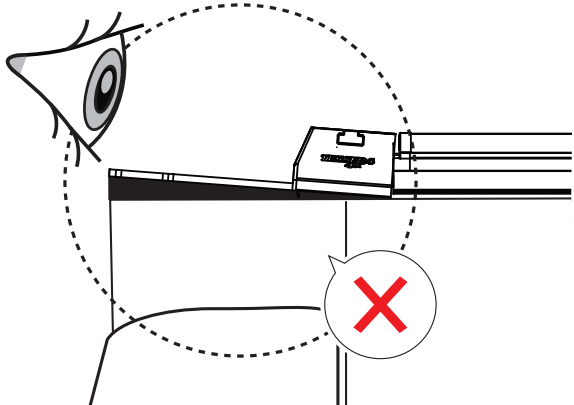
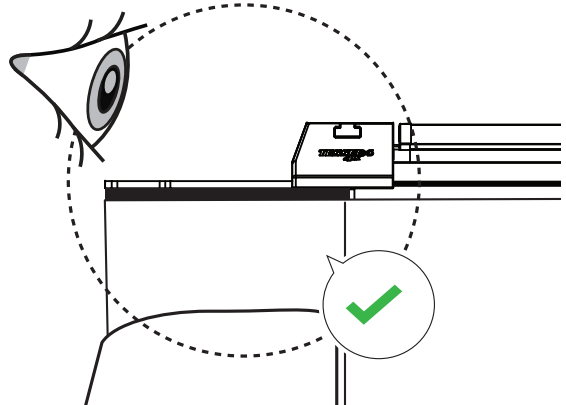
x2

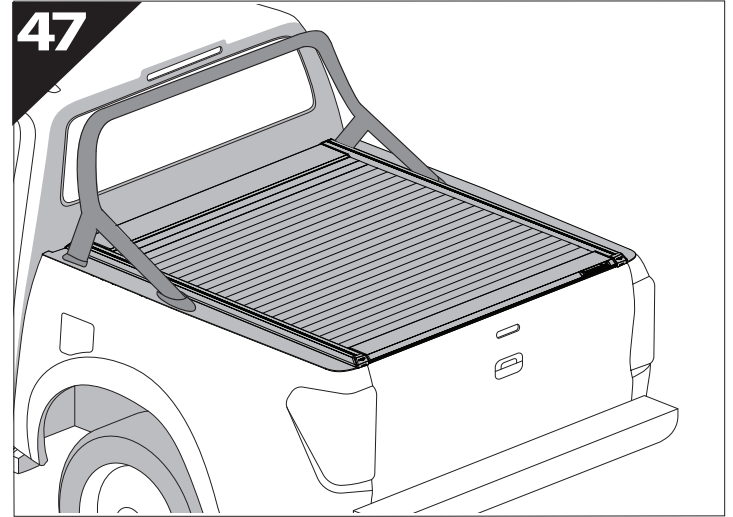
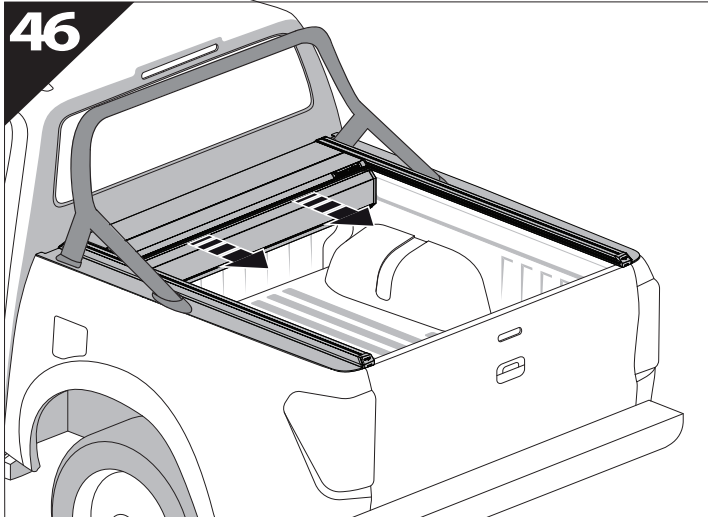


CAUTION !



CAUTION !





GR: Οδηγίες Εγκατάστασης
GB: Installation manual
SF: Asennusohje
F: Notice de montage
PL: Instrukcja montażu
NL: Installatie-instructies
TR: Montaj Talimatı
S: Monteringsanvisning
E: Instrucciones de montaje

H: Szerelési utasítás
P: Instruções de instalação
RUS: Инструкция по установке
N: Monteringsveiledning
D: Einbauanleitung
CZ: Návod k instalaci
I: Istruzioni de montaggio
DK: Monteringsvejledning
RO: Instructiuni de instalare

Customer Service:

+30 (210) 5541161, +30 (210) 5541154 (08:00 - 16:00 EET)

Support department:

info@gianso.gr

Website:

www.tessera4x4.com

Address:

19.5 km of National road Athens-Korinthos (Elefsina) Greece, P.C: 19200