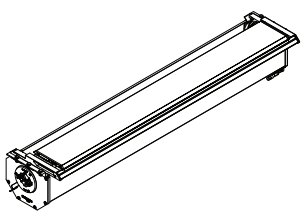
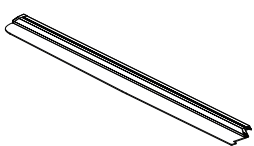
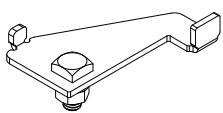
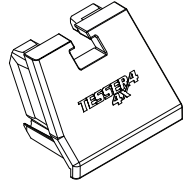
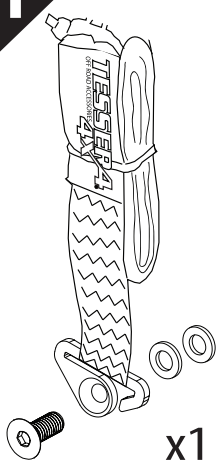


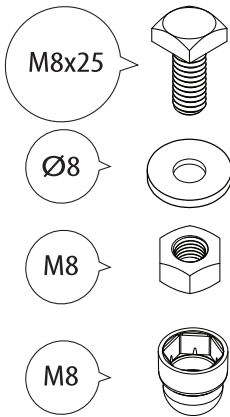
## Installation Manual

<b>PART NUMBER(S)</b>	<b>Model Year</b>
<b>TESS 14161 ROLL</b>	<b>Toyota Hilux (Revo) 2016+ WITH OEM ROLL BAR</b>
<b>Cab(s)</b>	<b>Installation Time / Weight</b>
<b>Double Cab</b>	<b>40-60 minutes / 53-57 kg</b>

<p><b>A</b></p>  <p>x1</p>	<p><b>B</b></p>  <p>x2</p>	<p><b>C</b></p>  <p>M8 x2</p>	<p><b>D</b></p>  <p>M 4,2 x 19 x2</p>	<p><b>D1</b></p>  <p>x1</p>
--	---	--	---	--

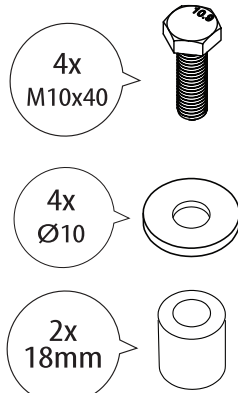
**E**  
x4

- M8x25
- Ø8
- M8
- M8



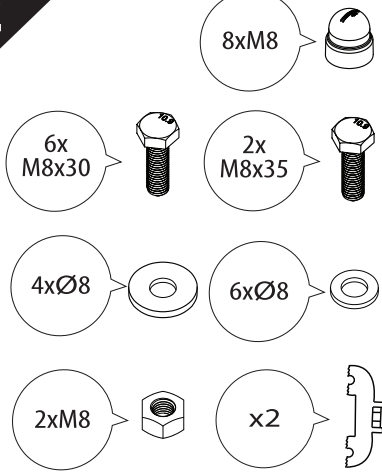
**E1**

- 4x M10x40
- 4x Ø10
- 2x 18mm



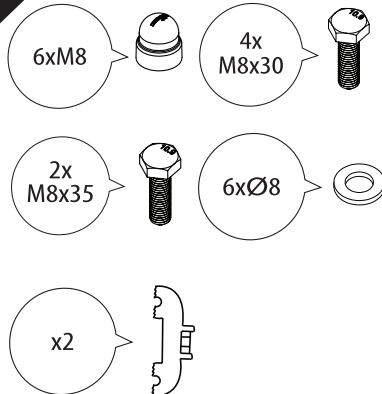
**E2**

- 8xM8
- 6x M8x30
- 4xØ8
- 2xM8
- 2x M8x35
- 6xØ8
- x2

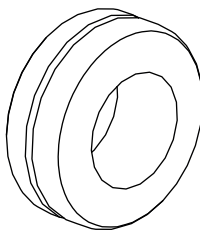


**E3**

- 6xM8
- 2x M8x35
- x2
- 4x M8x30
- 6xØ8




**F**



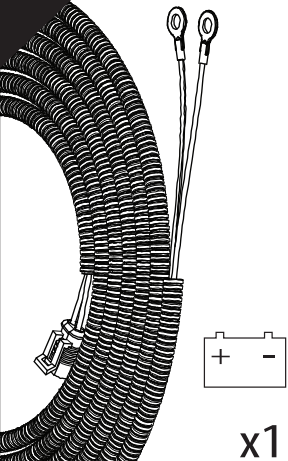
x1

**G**



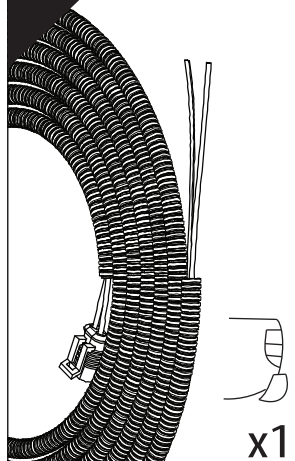
x2

**H**



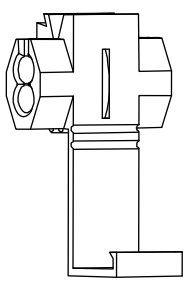
x1

**I**




x1

**J**



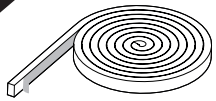
x2

**K**



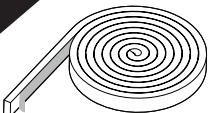
x17

**L1** x1




1.5 x 0.8 x 400cm

**L2** x1



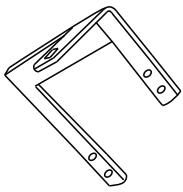
5 x 0.8 x 167cm

**M1**



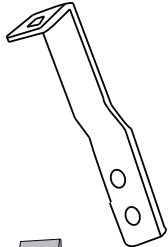
x1

**N**

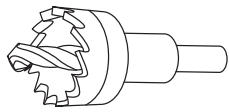


x2

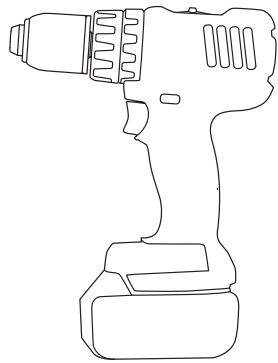
**O**



x2



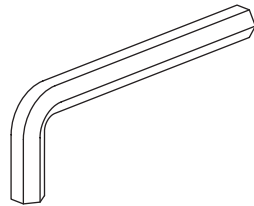
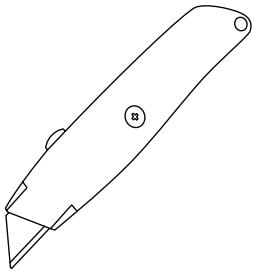
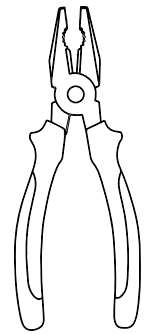
Ø 25 mm / Ø 40 mm



+

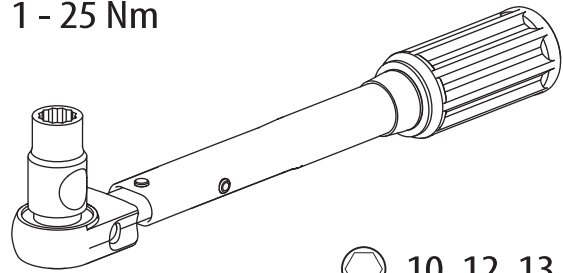


-



○ 4 mm, 5mm

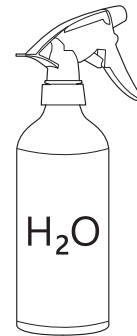
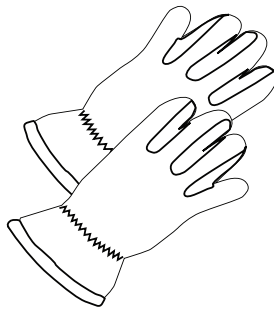
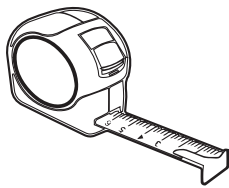
1 - 25 Nm



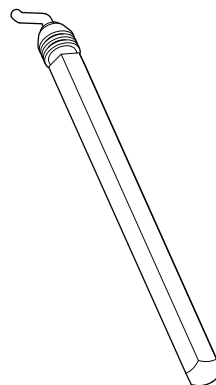
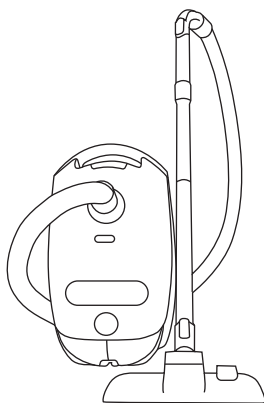
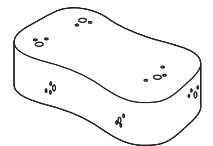
○ 10, 12, 13, 17 mm



ACETONE



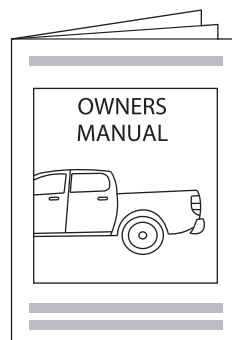
H<sub>2</sub>O



ANTI-RUST

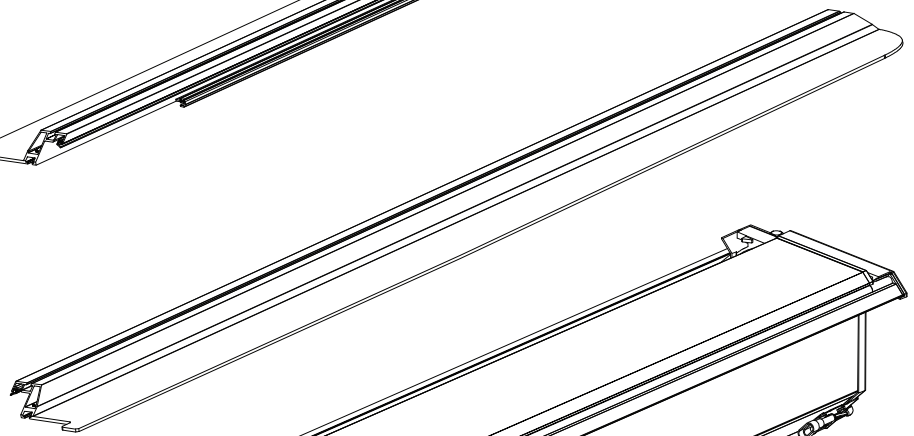
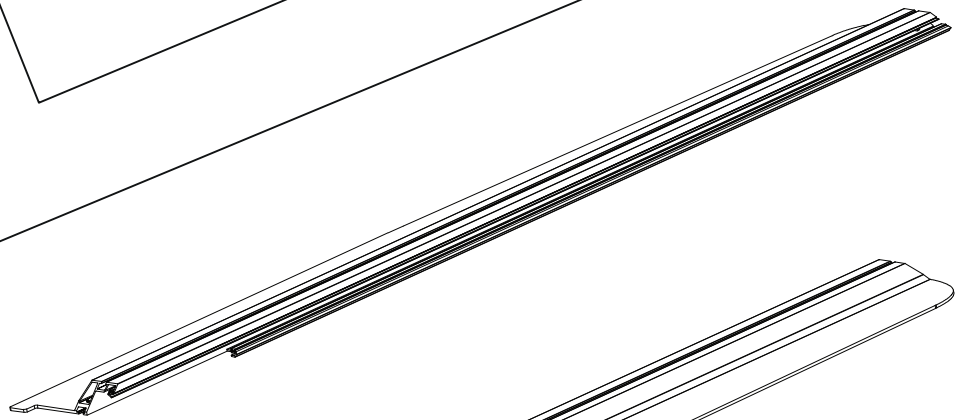
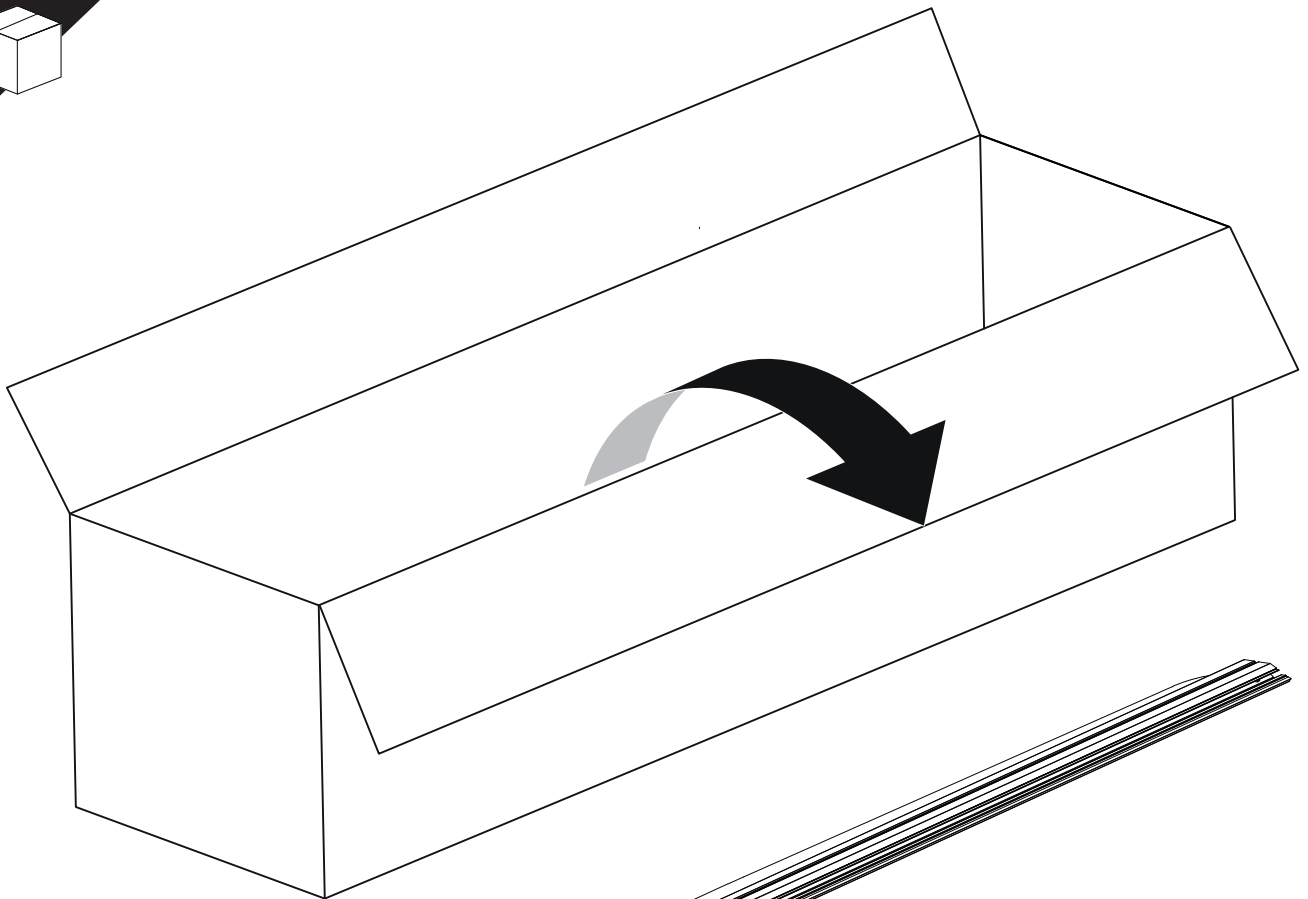


INSTALLATION  
MANUAL

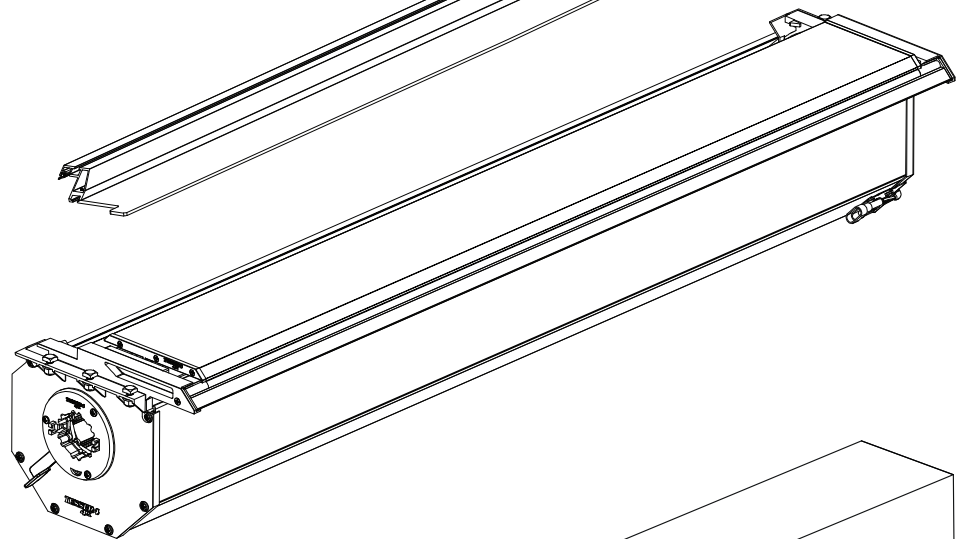


OWNERS  
MANUAL

x1

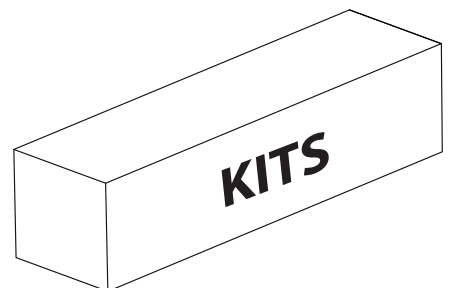


**B**

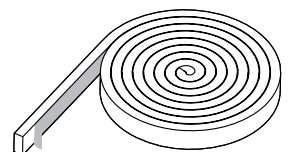


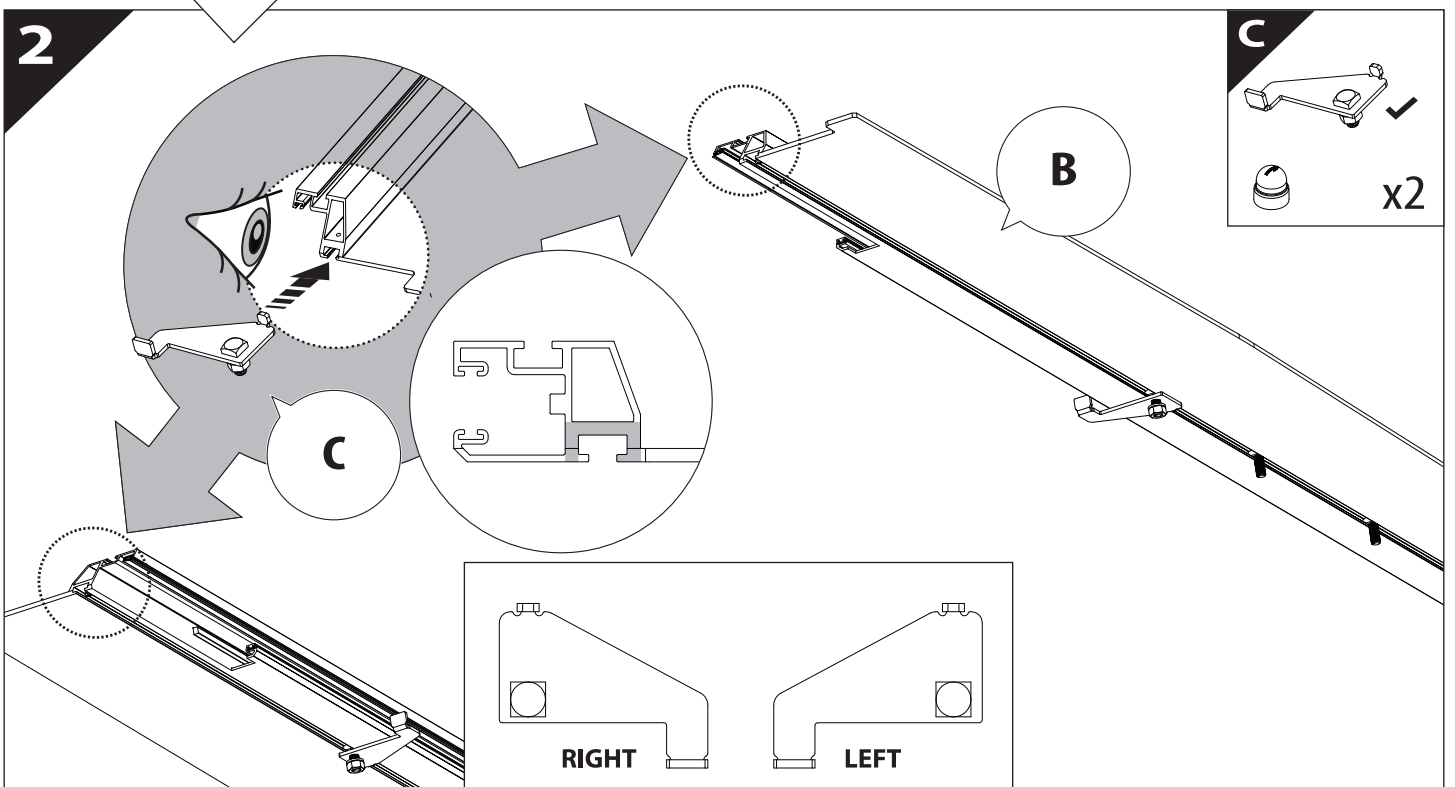
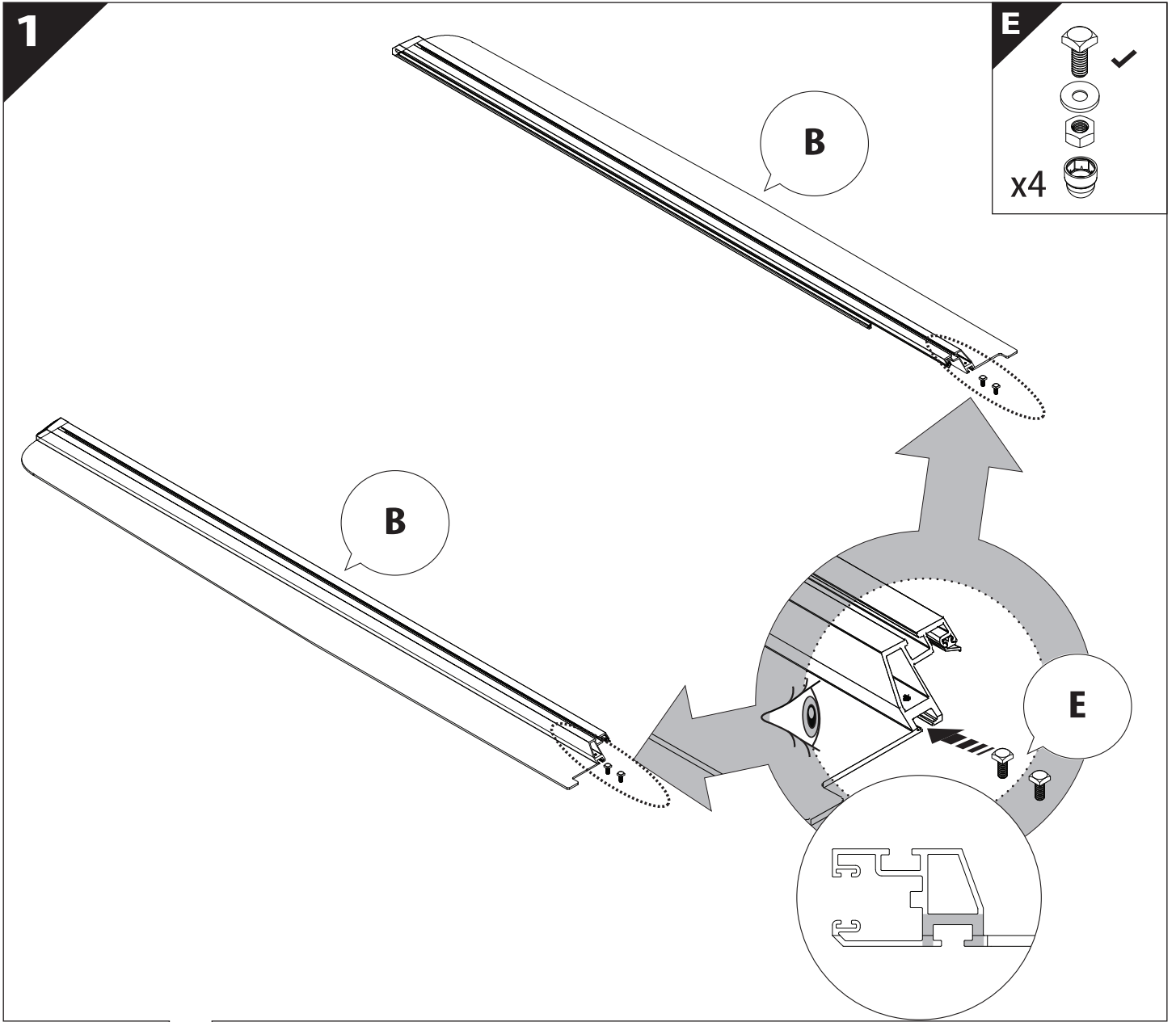
**A**

**KITS**

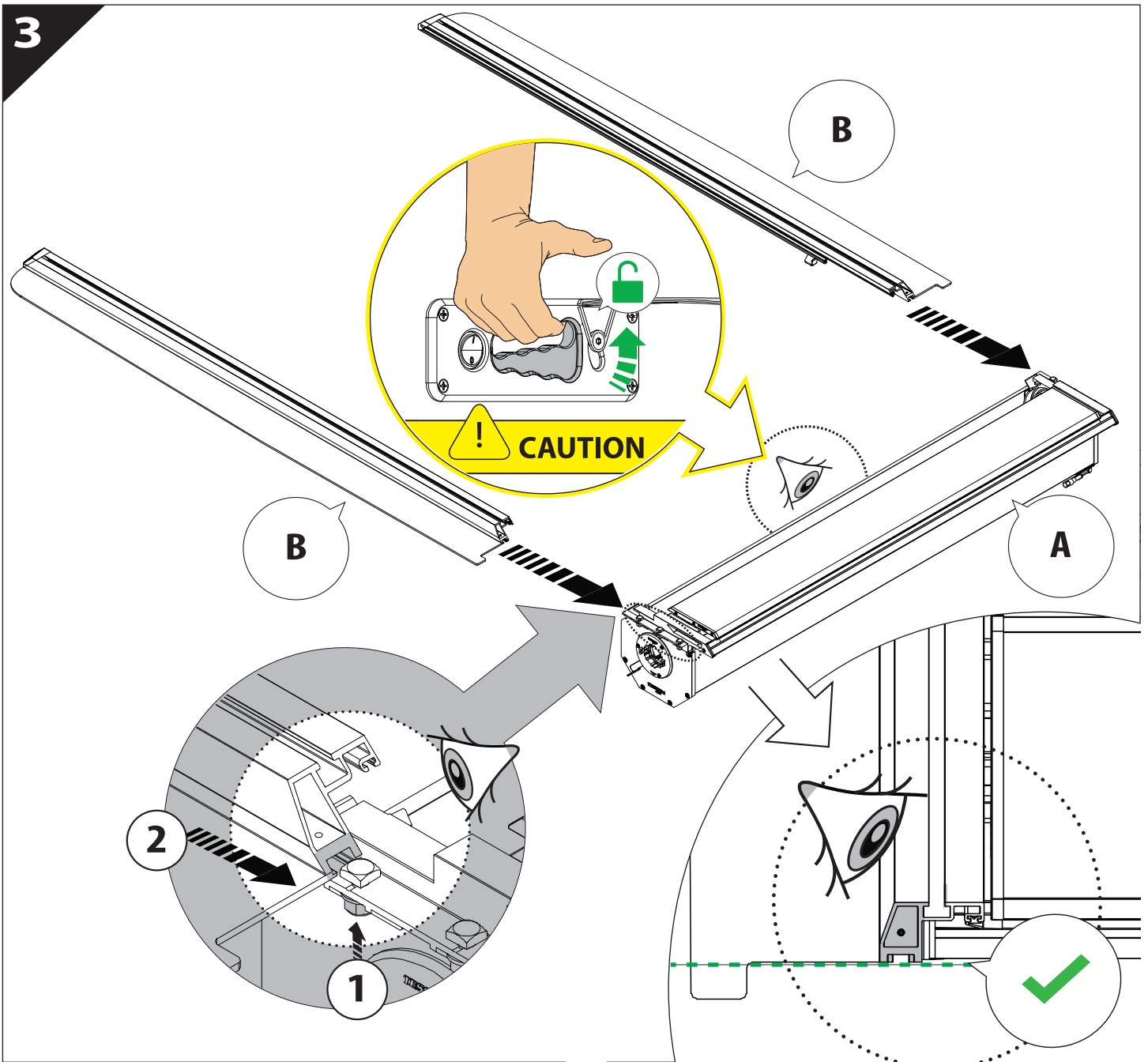


**L**

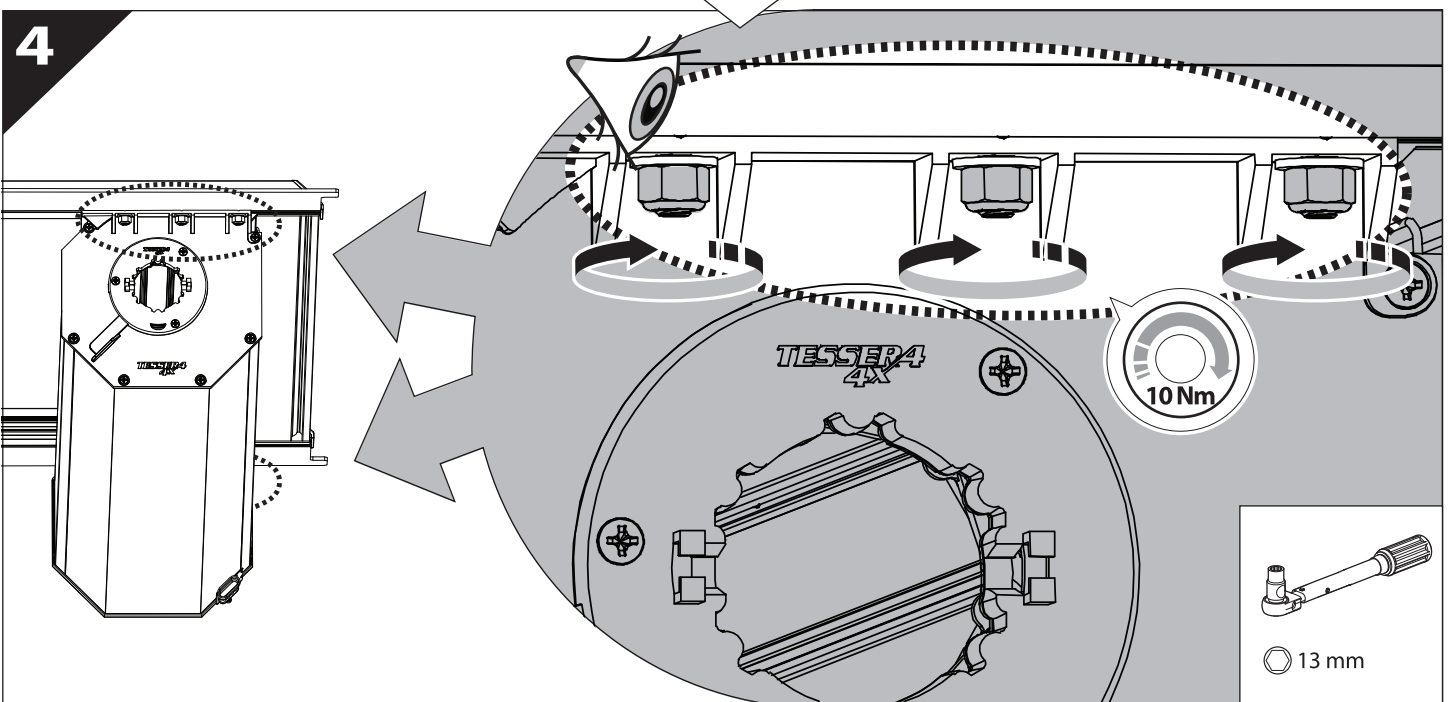


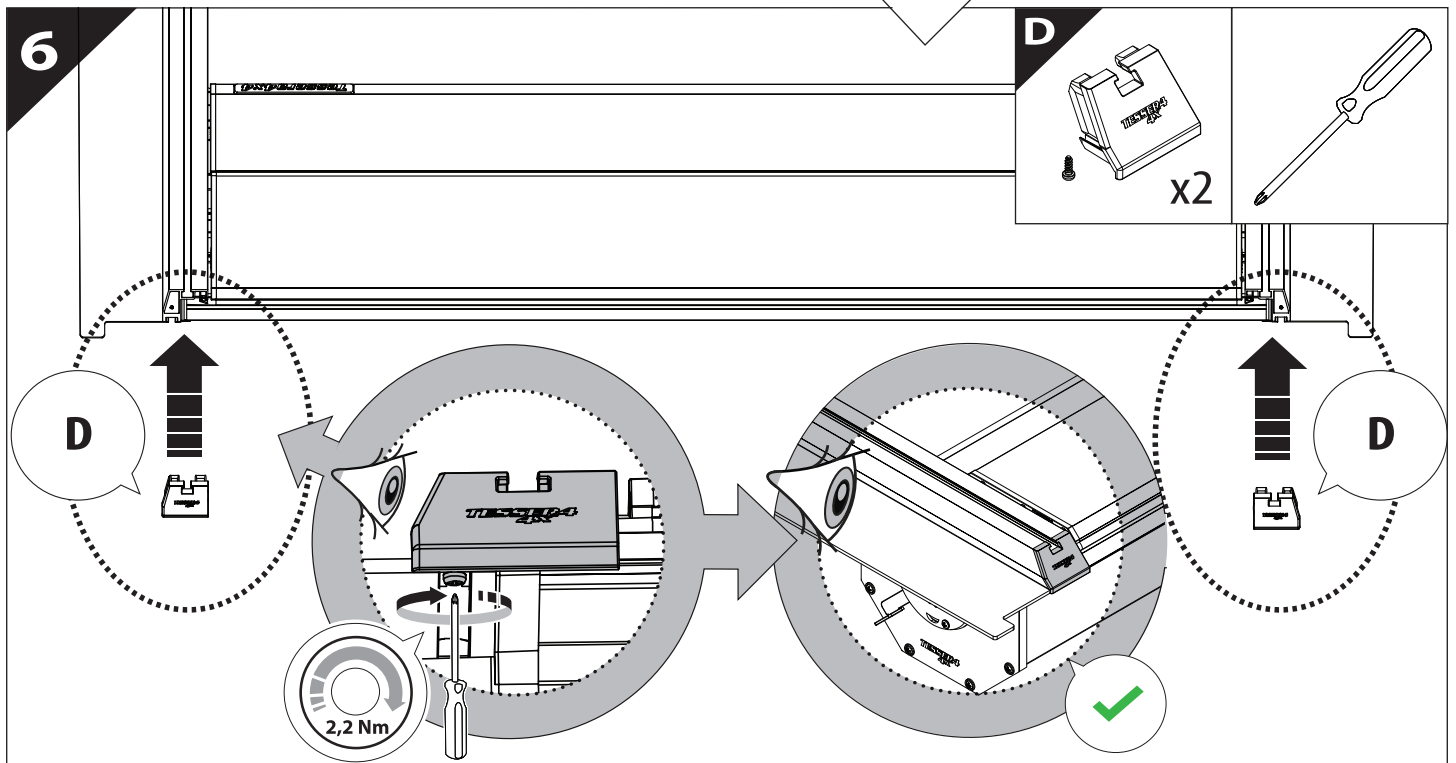
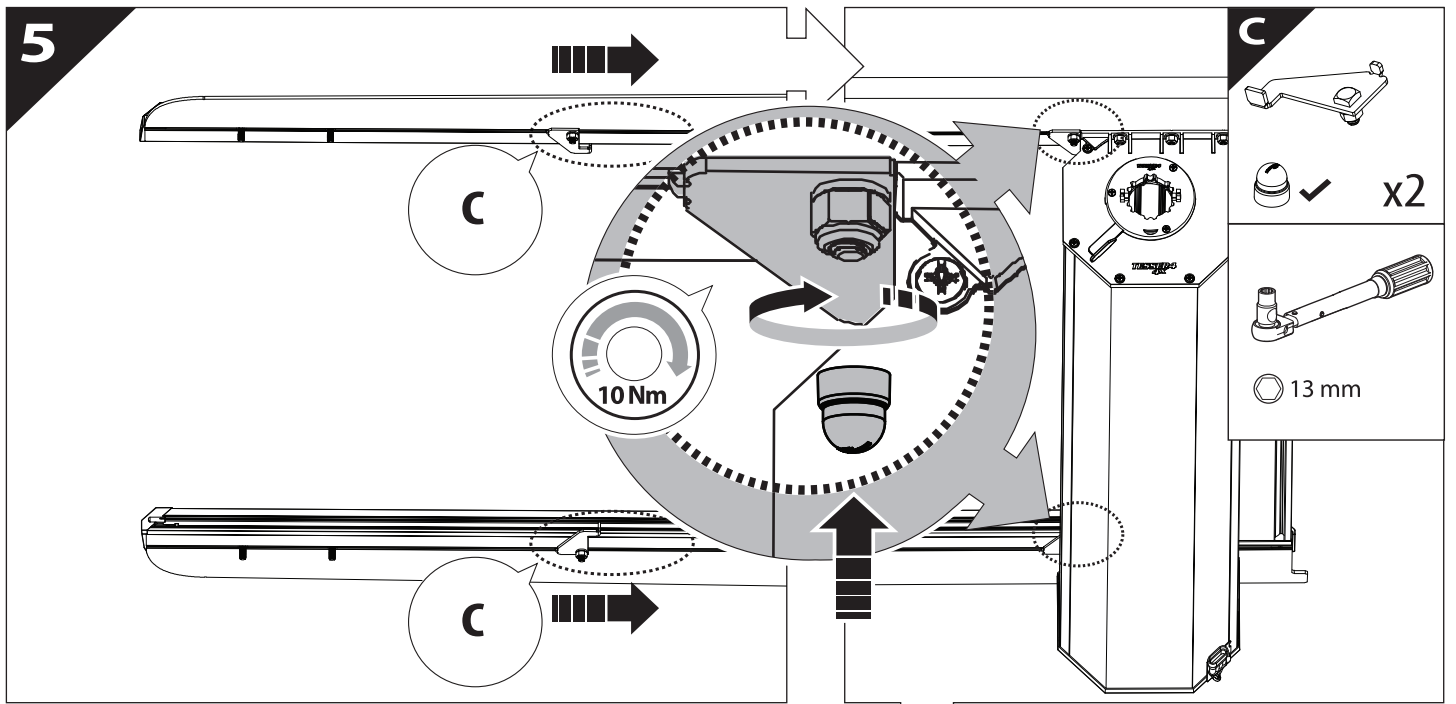


3

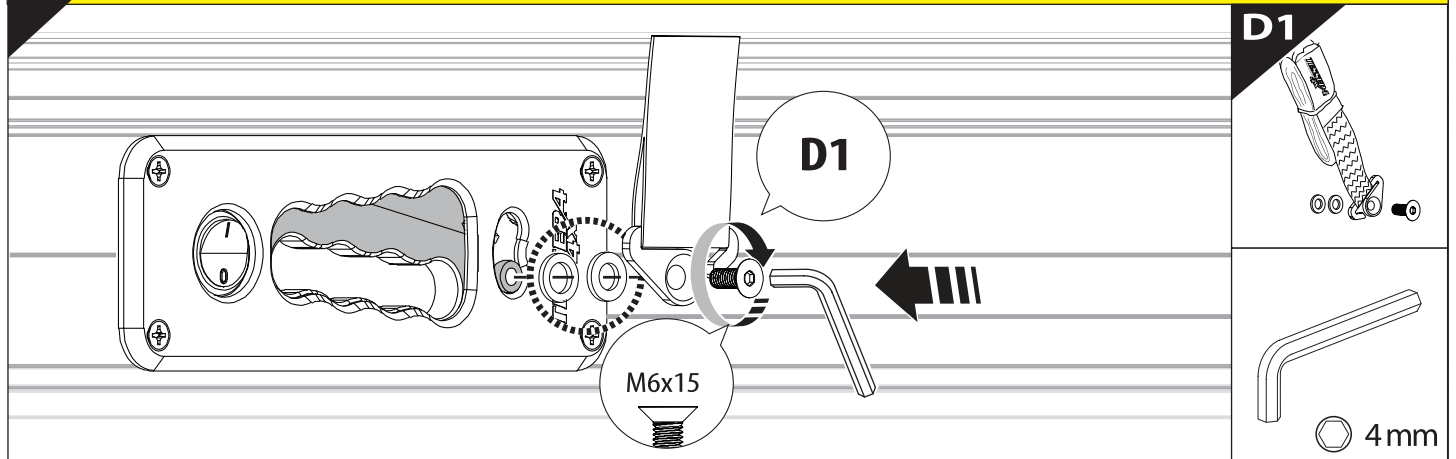


4

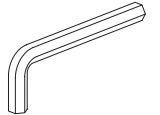




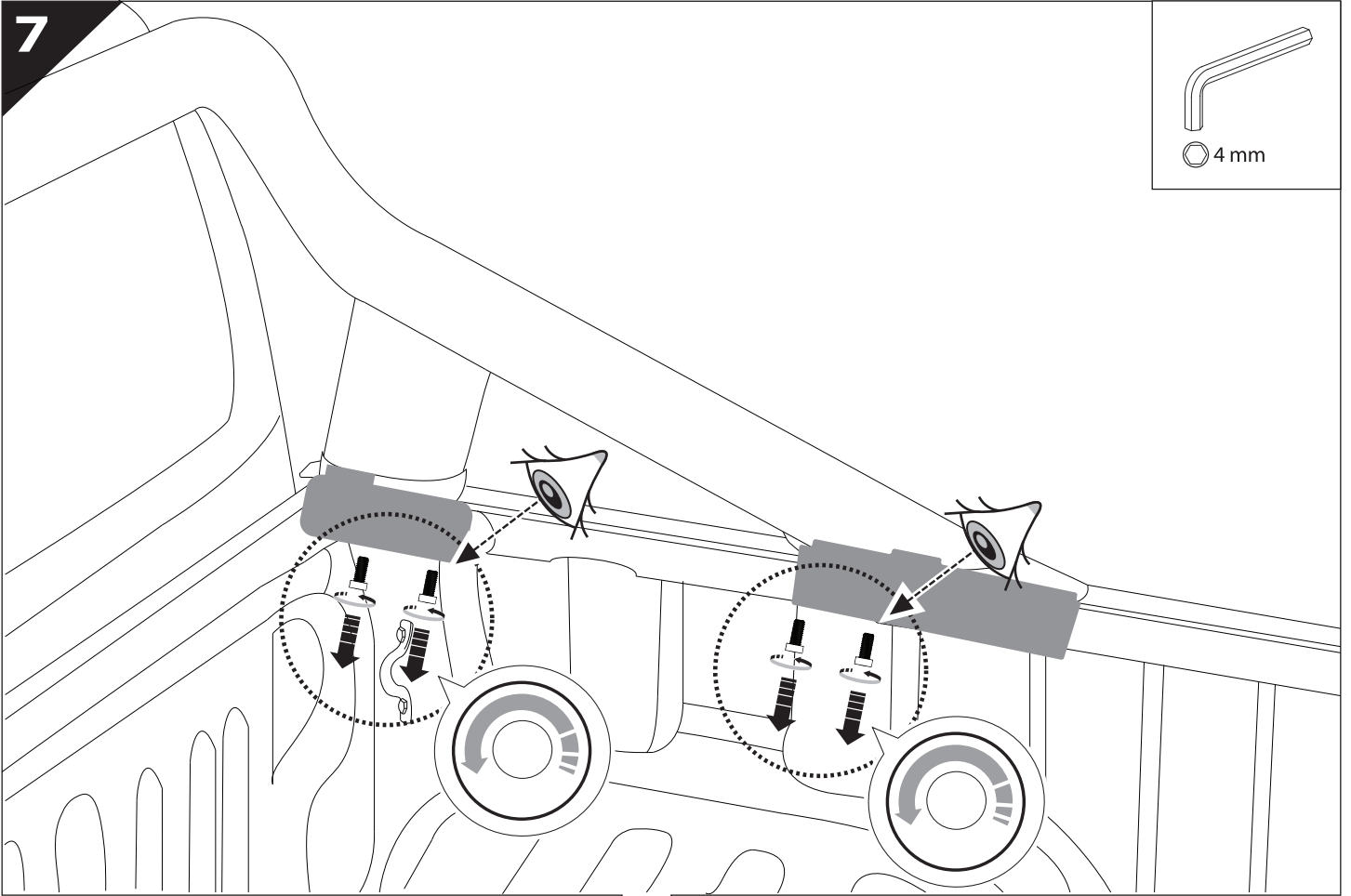
**6.1** **CAUTION** Basic Version ✓ & Basic+S-KIT Version ✓



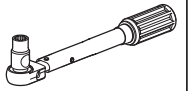
7



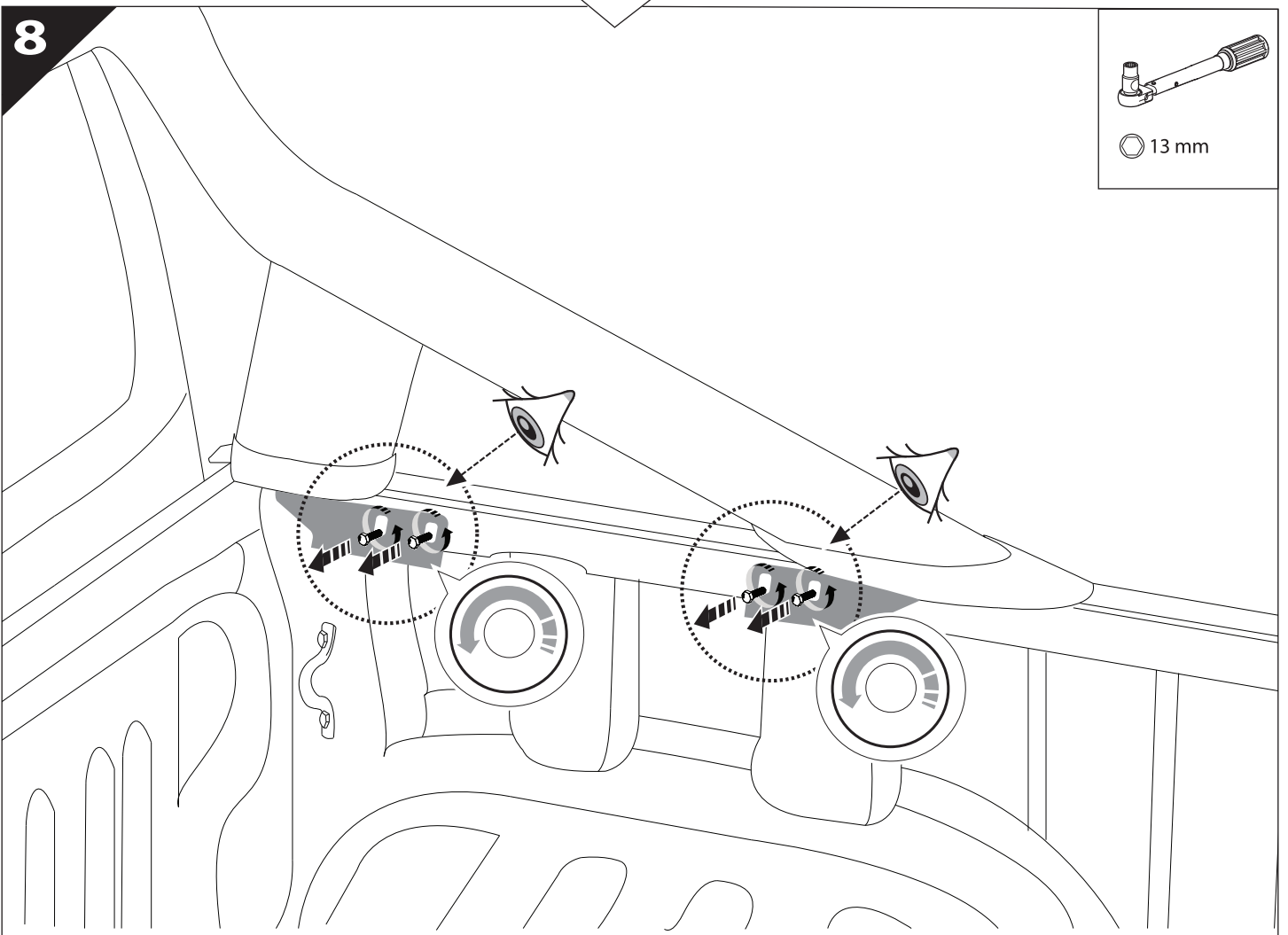
4 mm



8

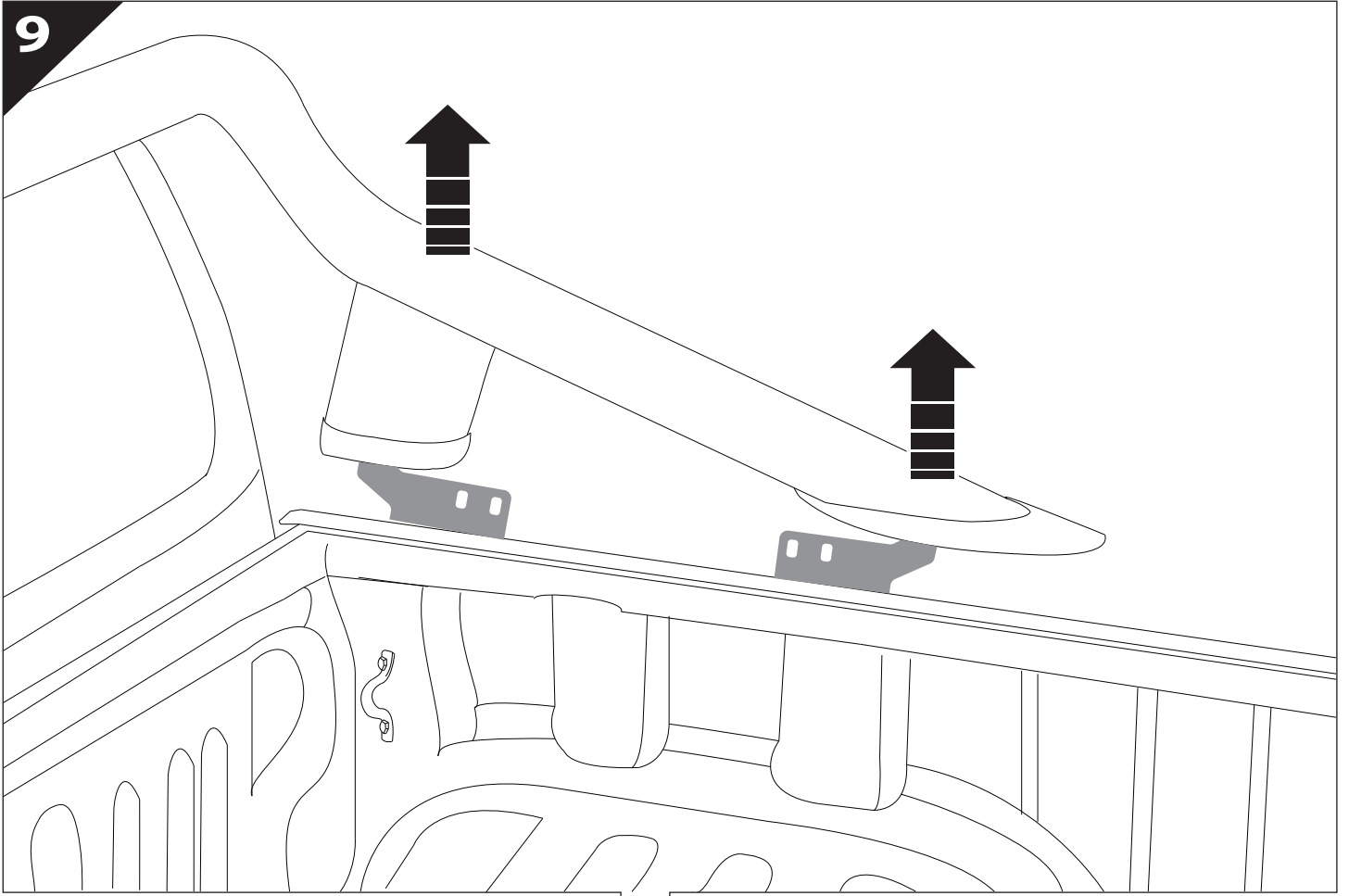


13 mm

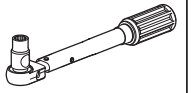
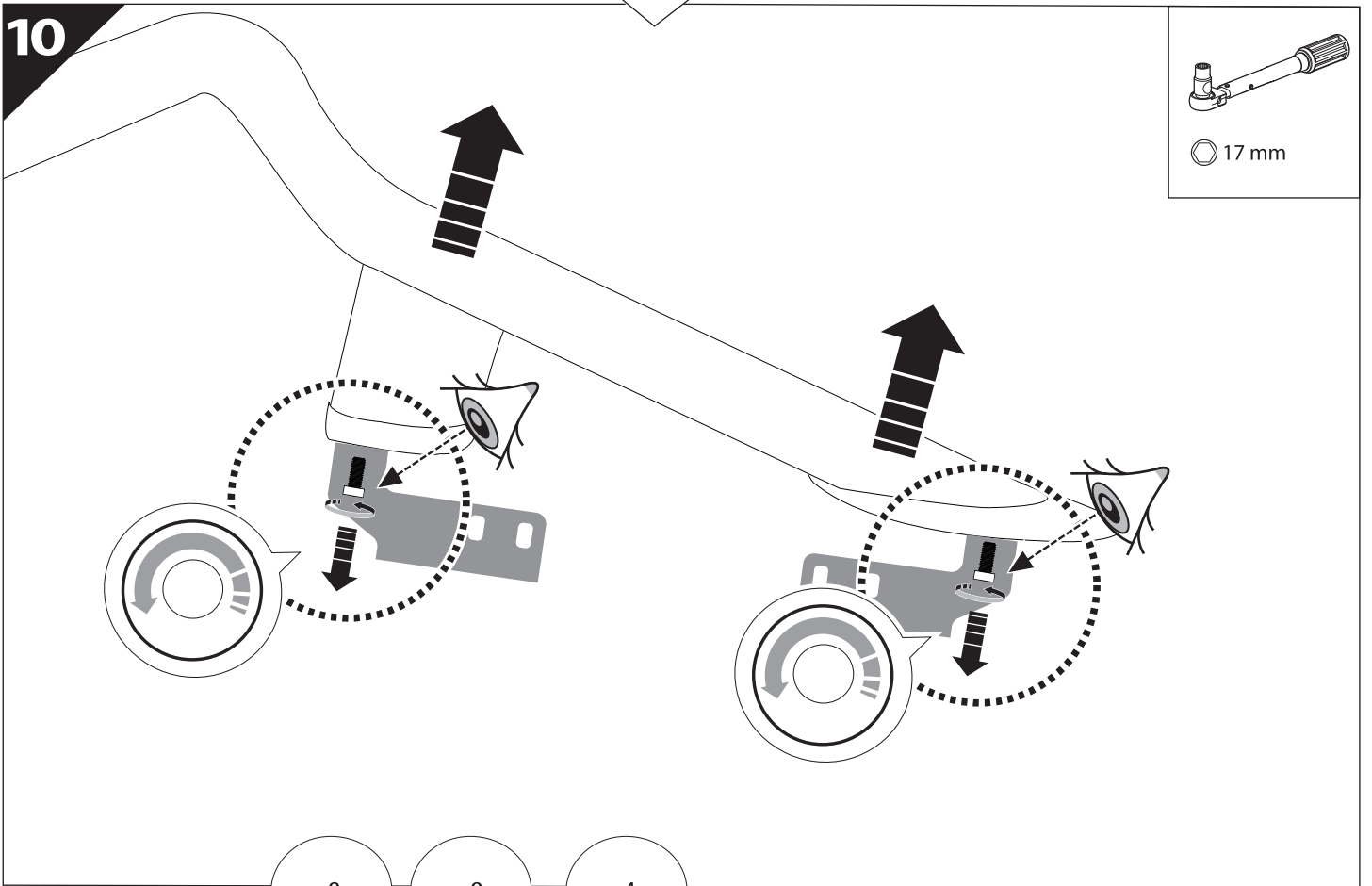




9



10



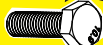
17 mm

x8

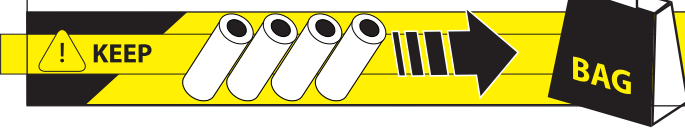
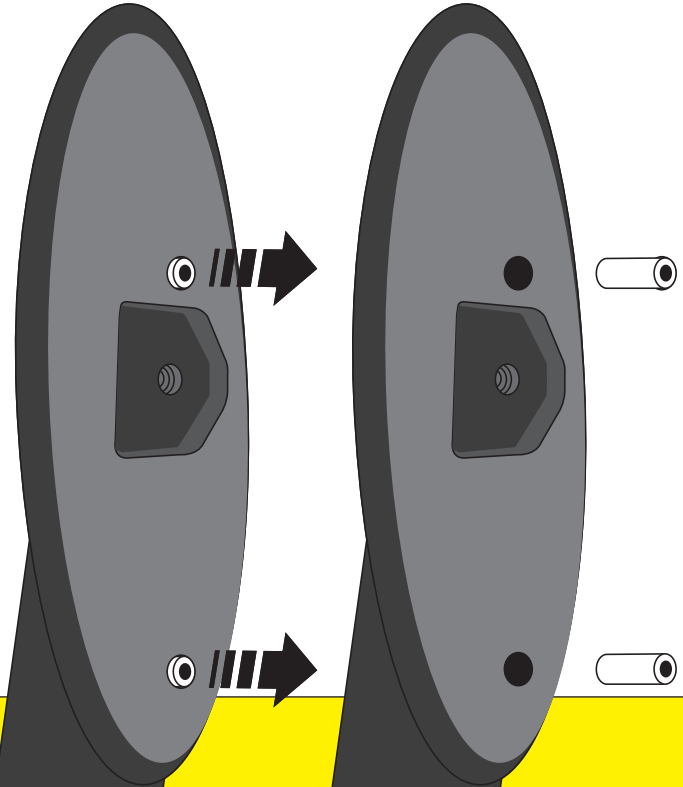
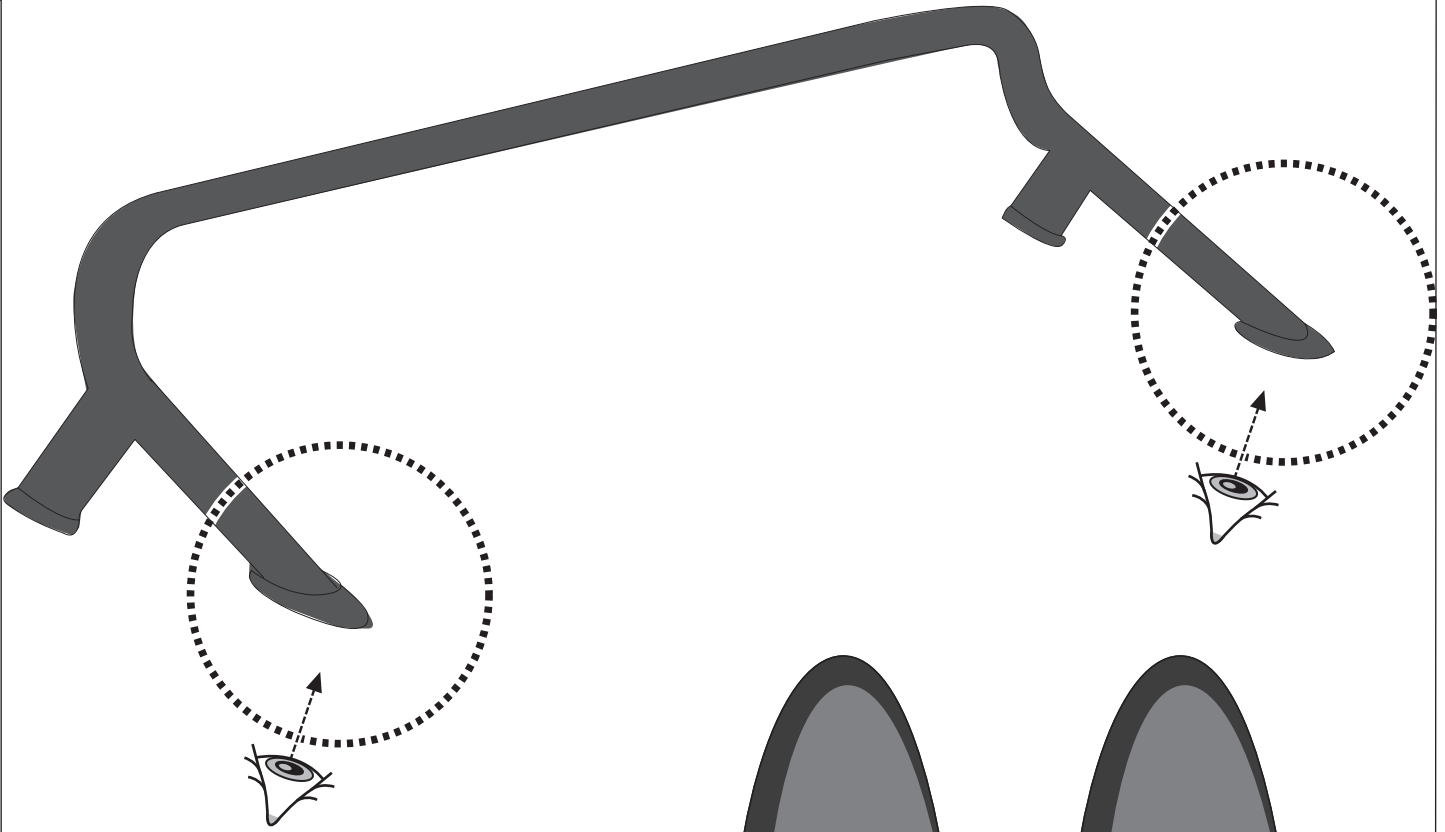
x8

x4

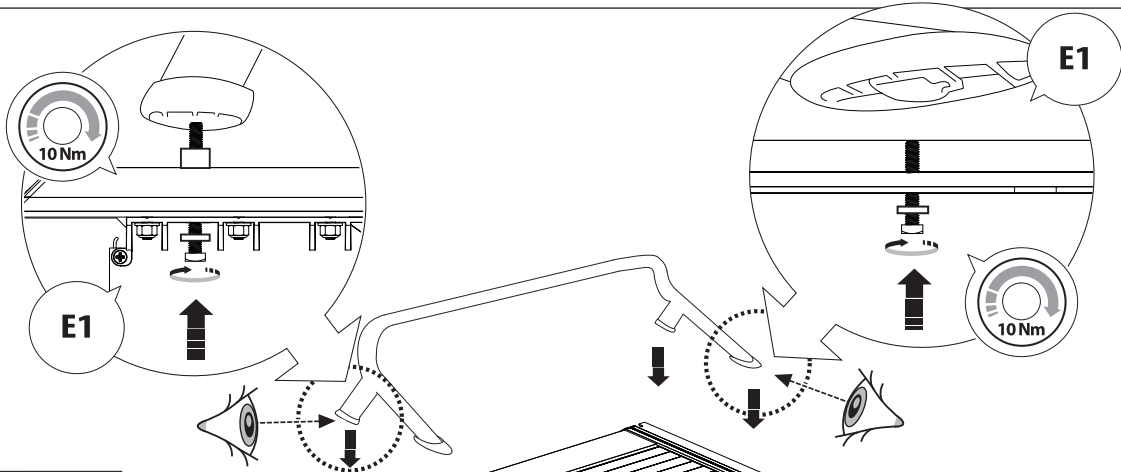
! KEEP



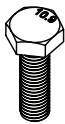
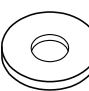
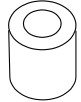
10.0

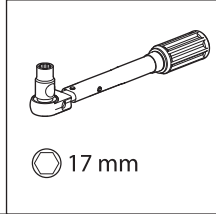


11

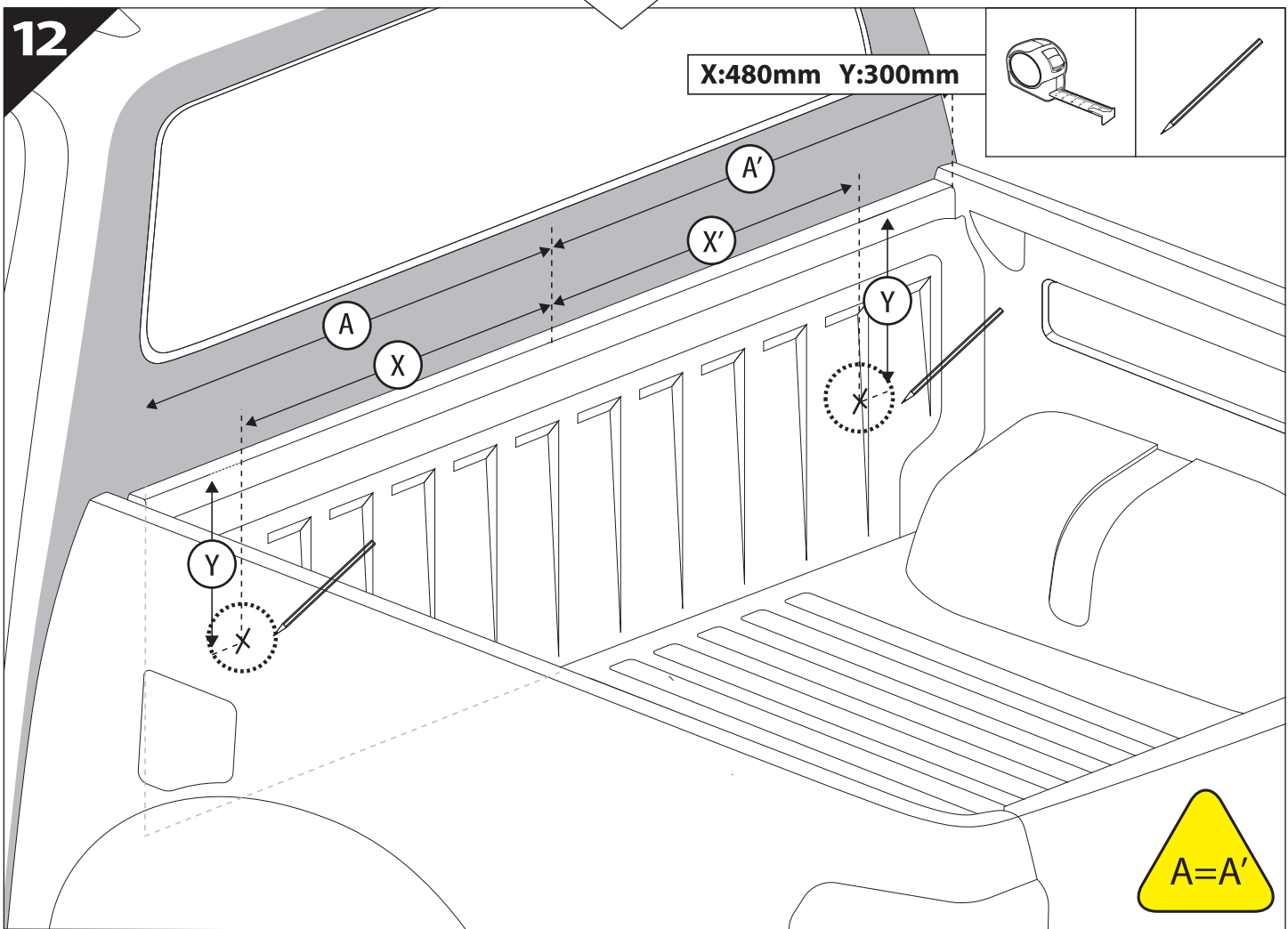


E1

- 4x M10x40 
- 4x Ø10 
- 2x 18mm 

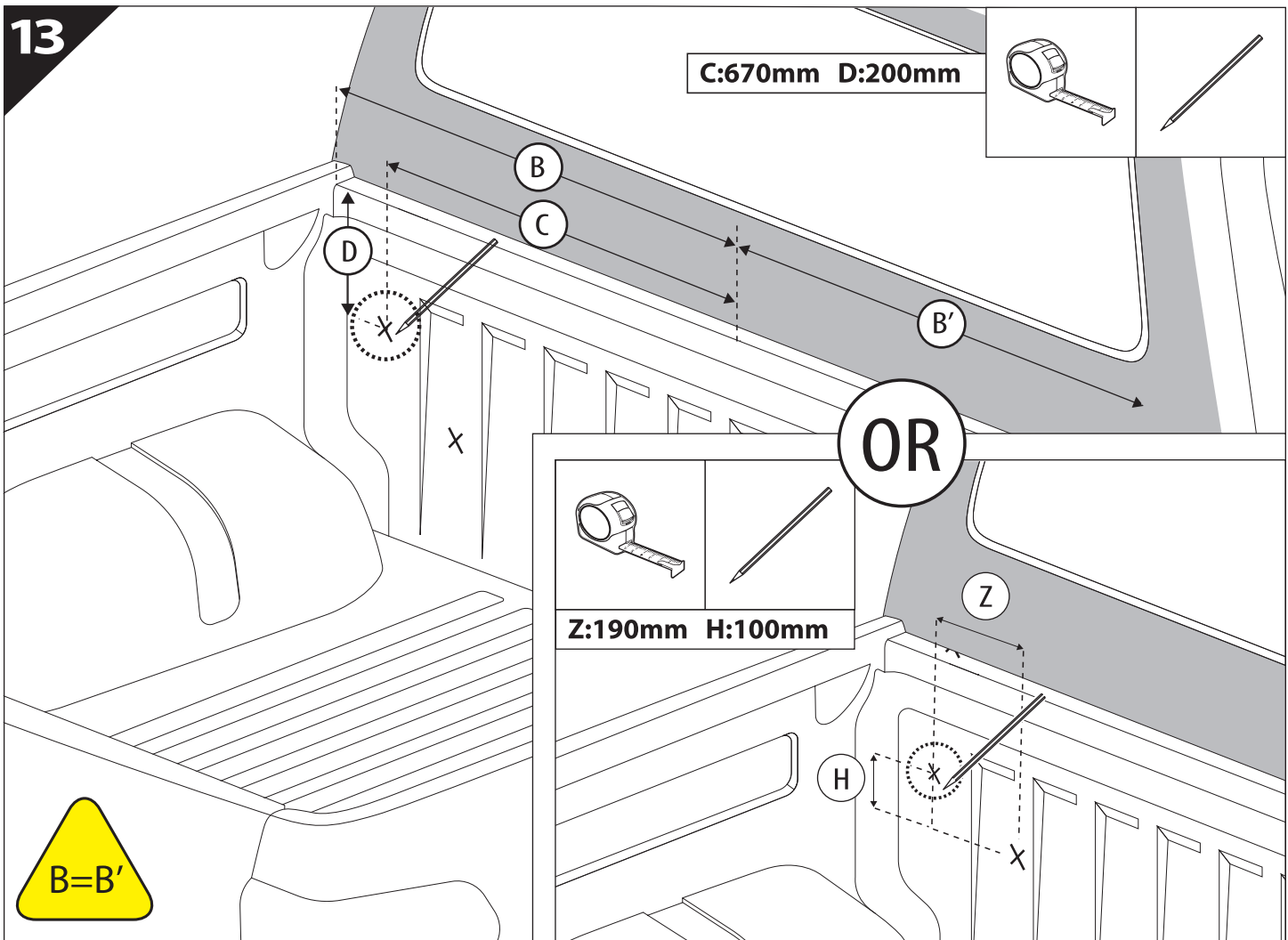
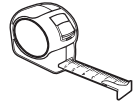


12

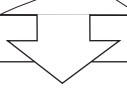


13

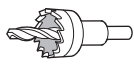
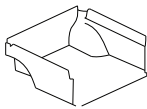
C:670mm D:200mm



B=B'

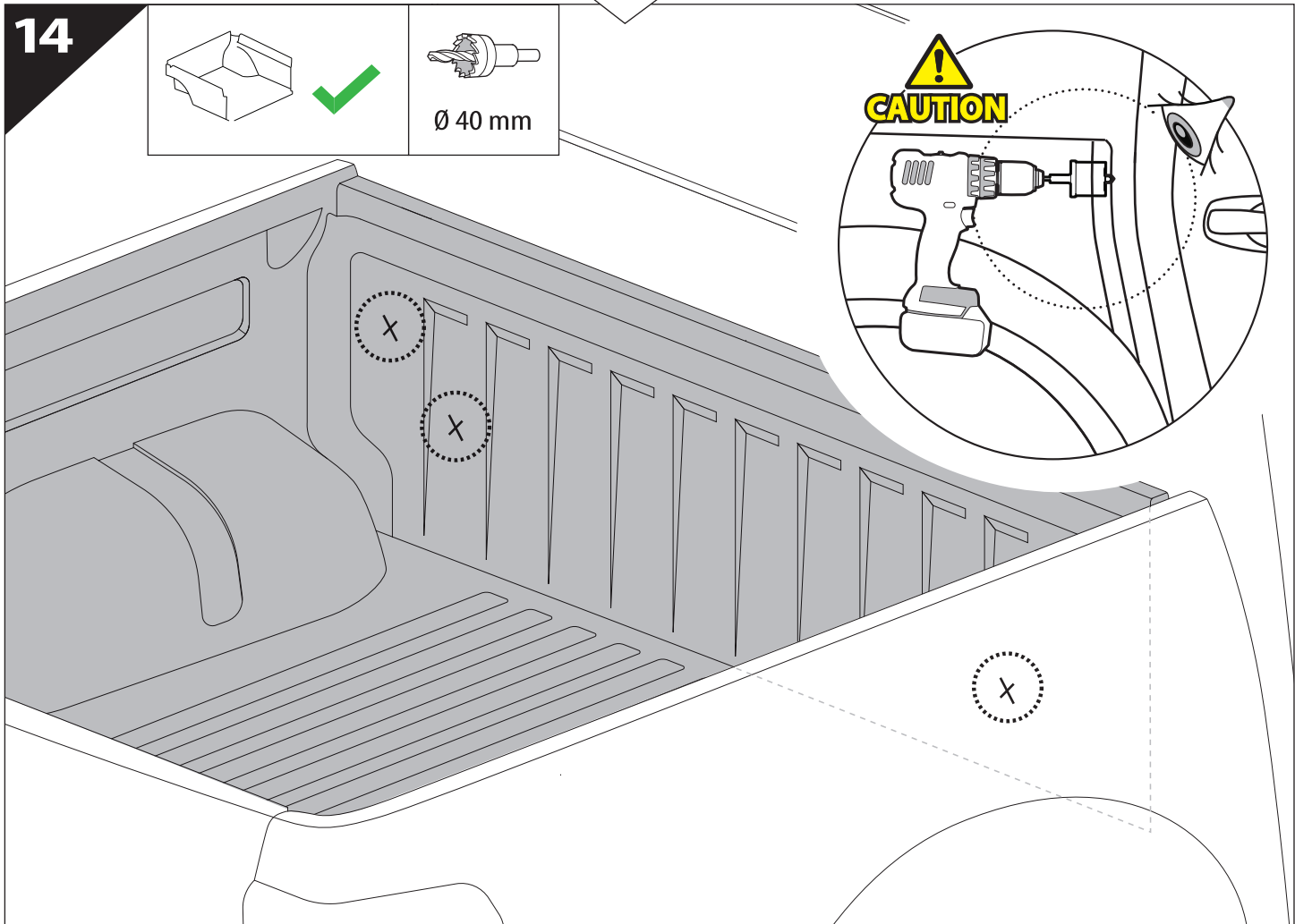
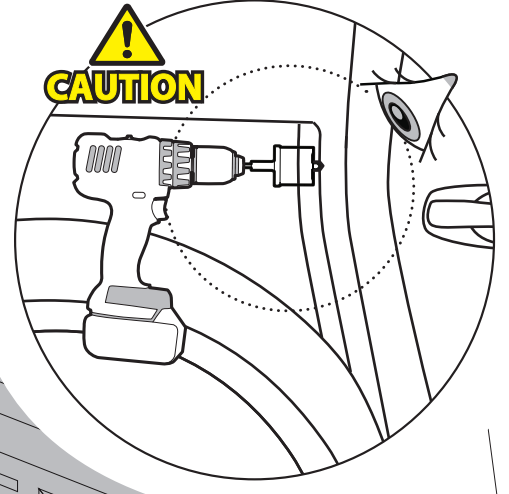


14

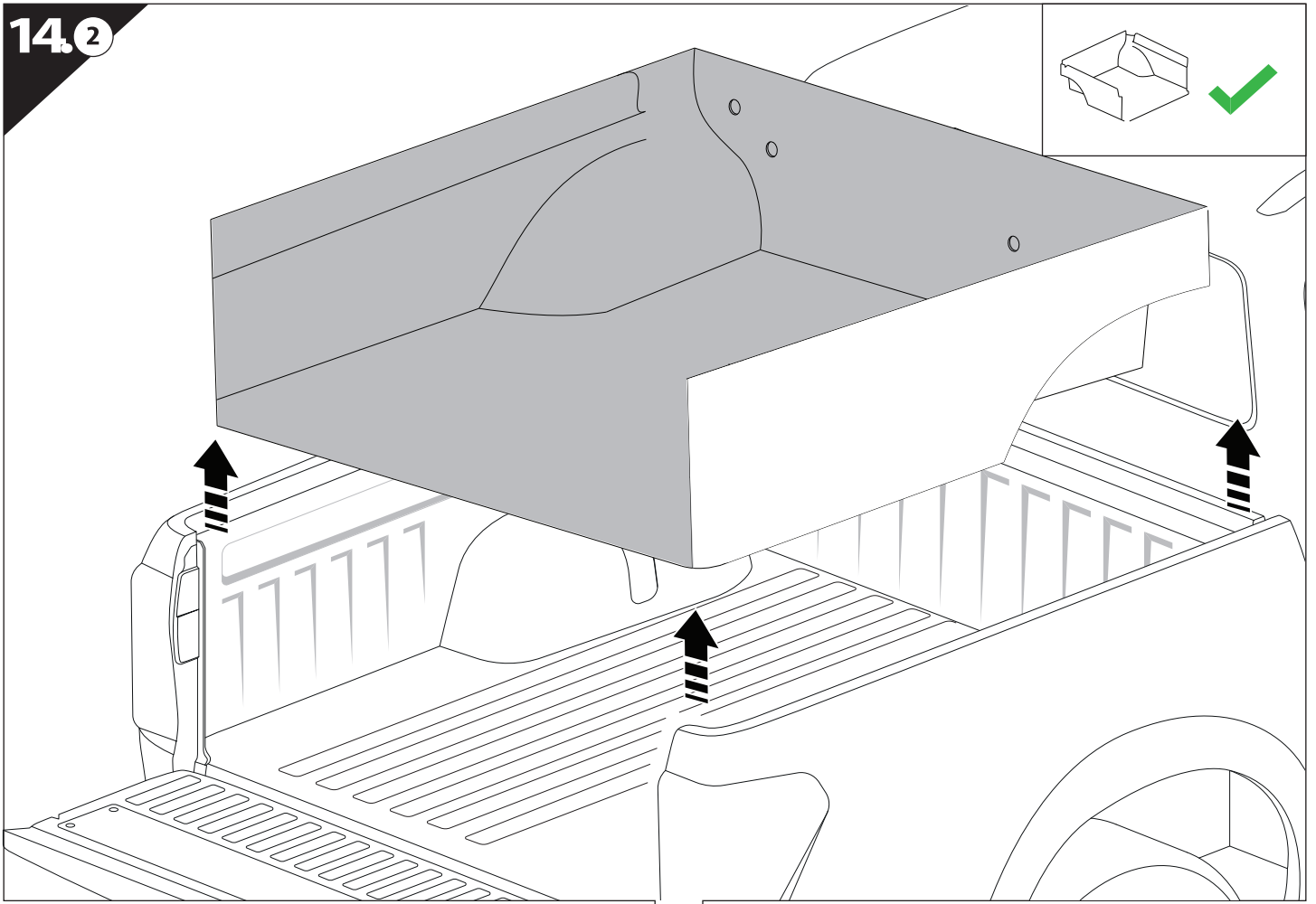


Ø 40 mm

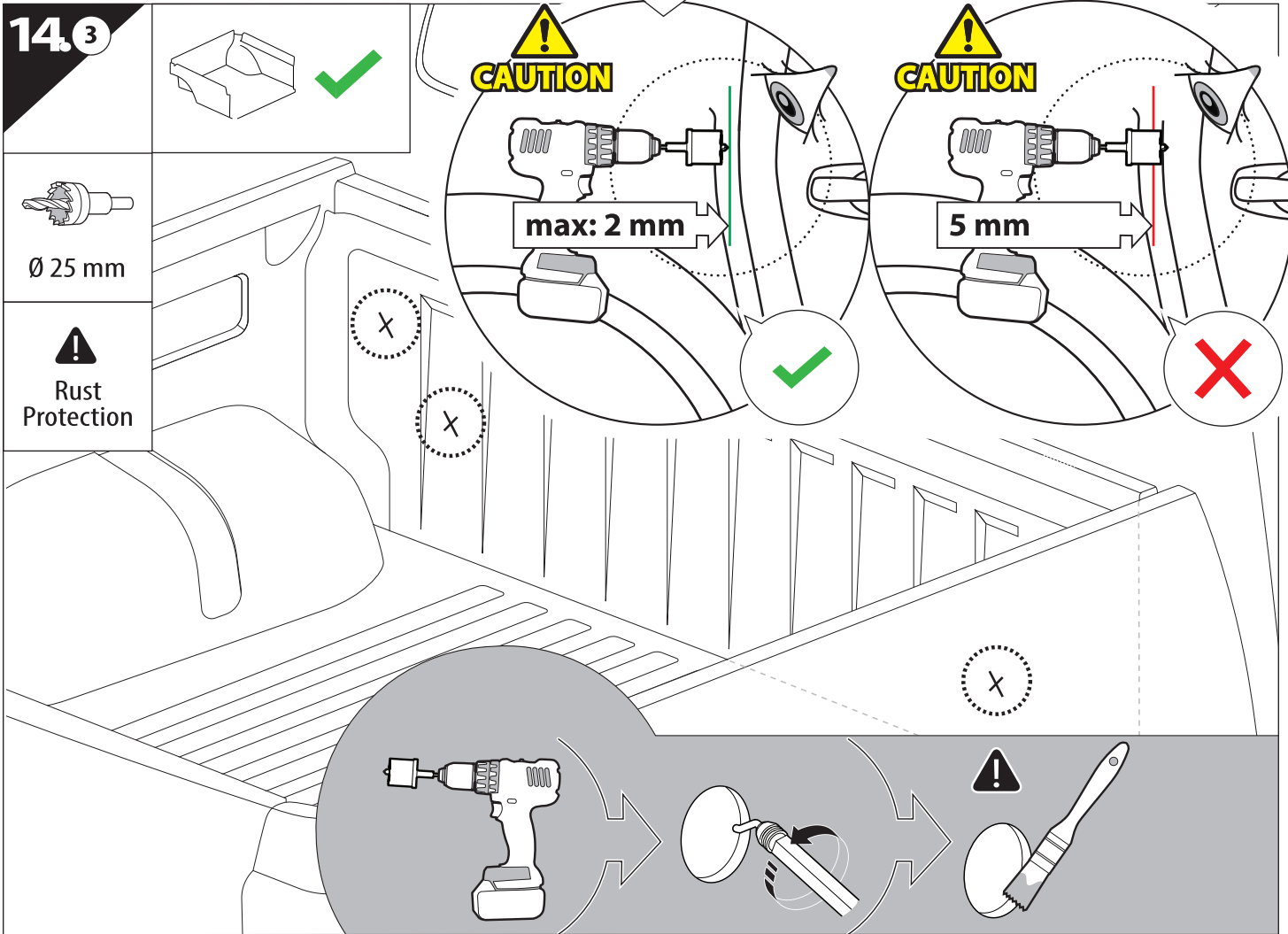
**CAUTION**

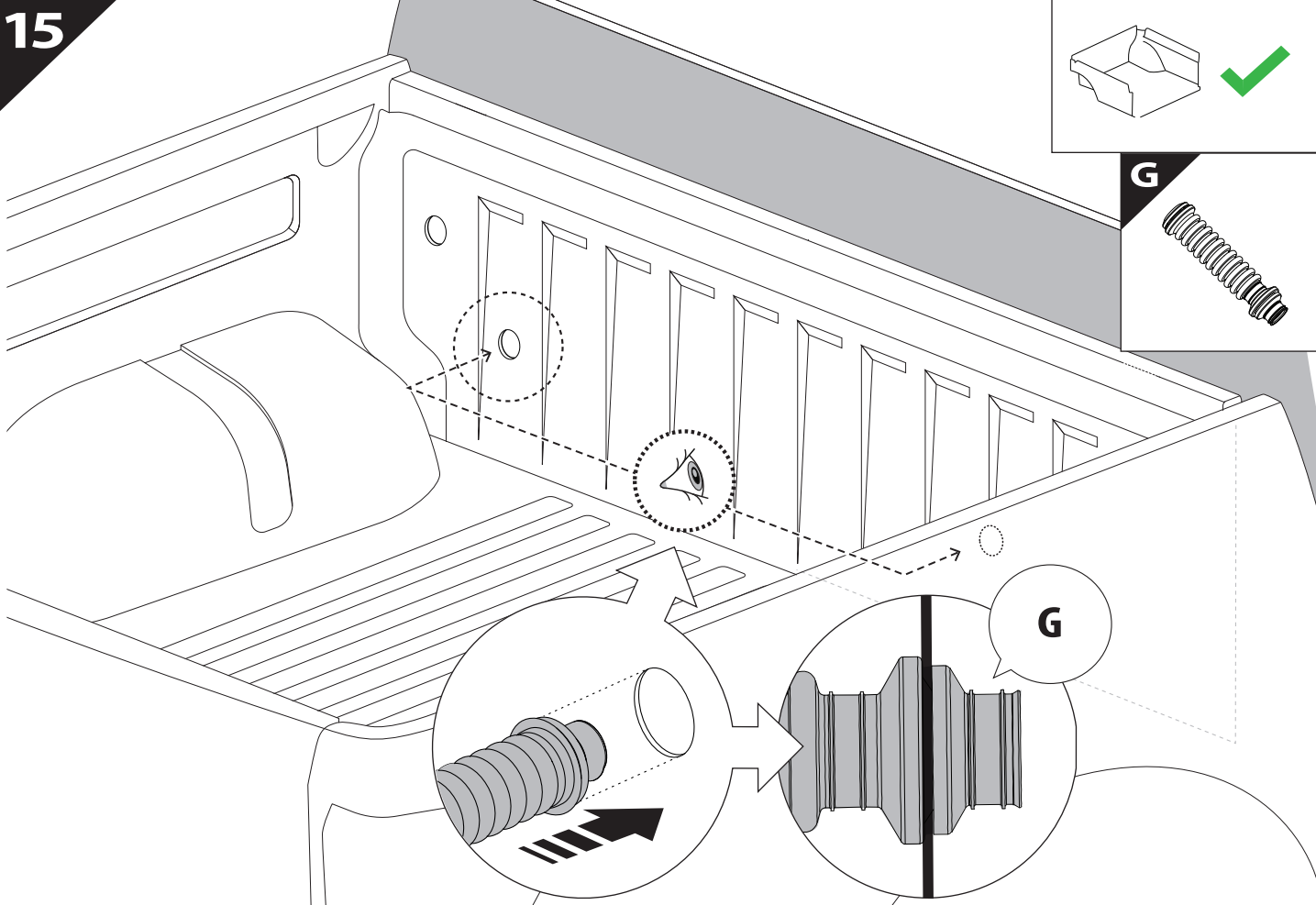


14.2

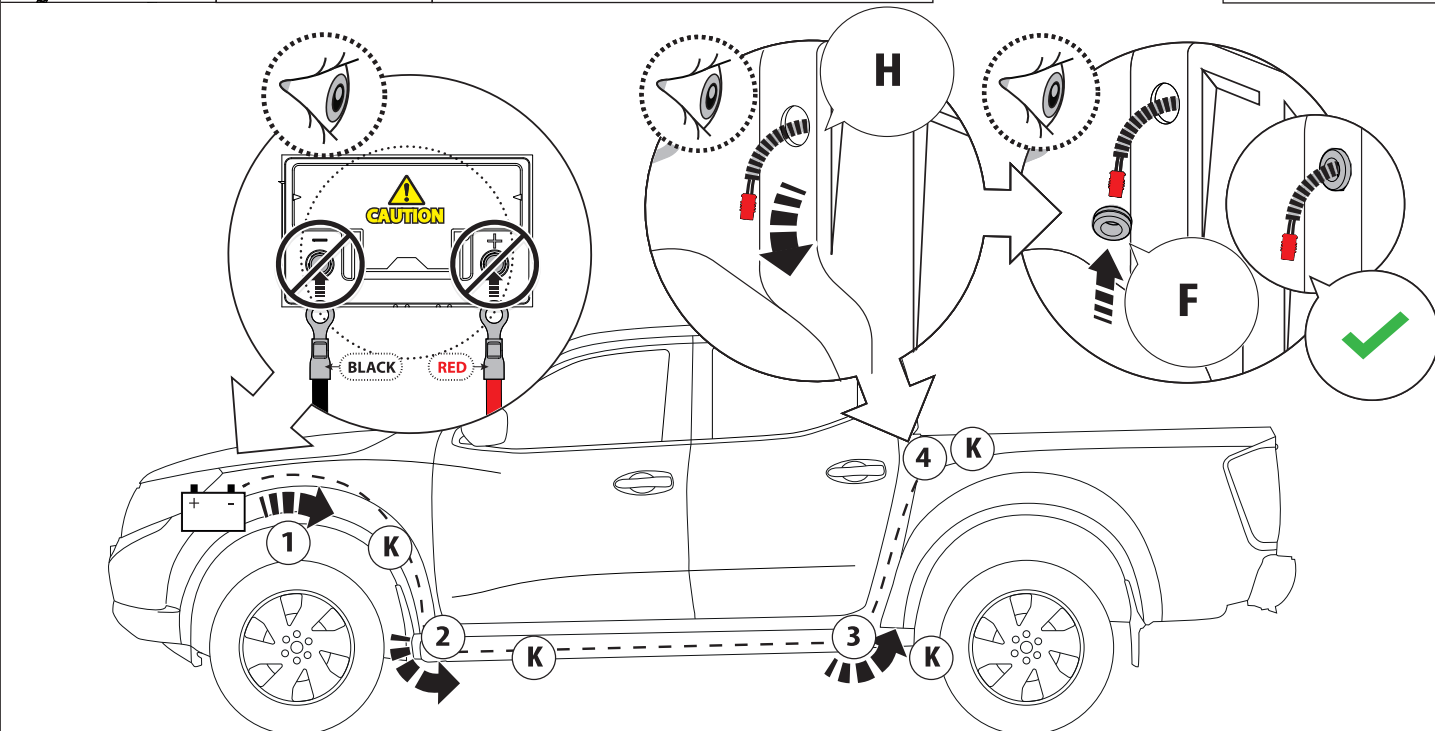
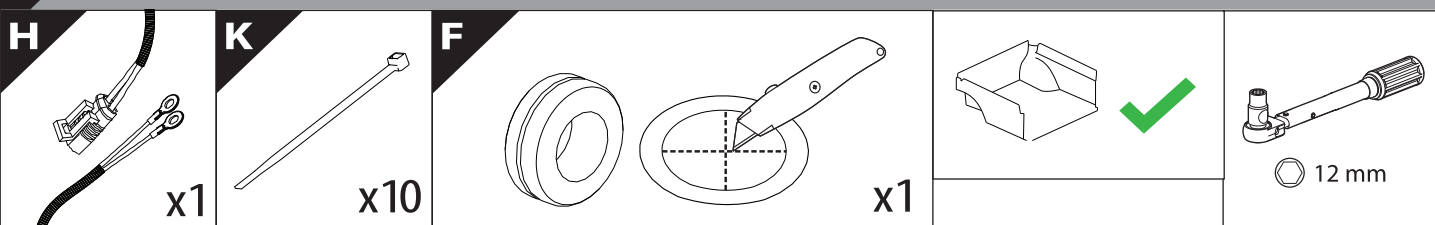


14.3

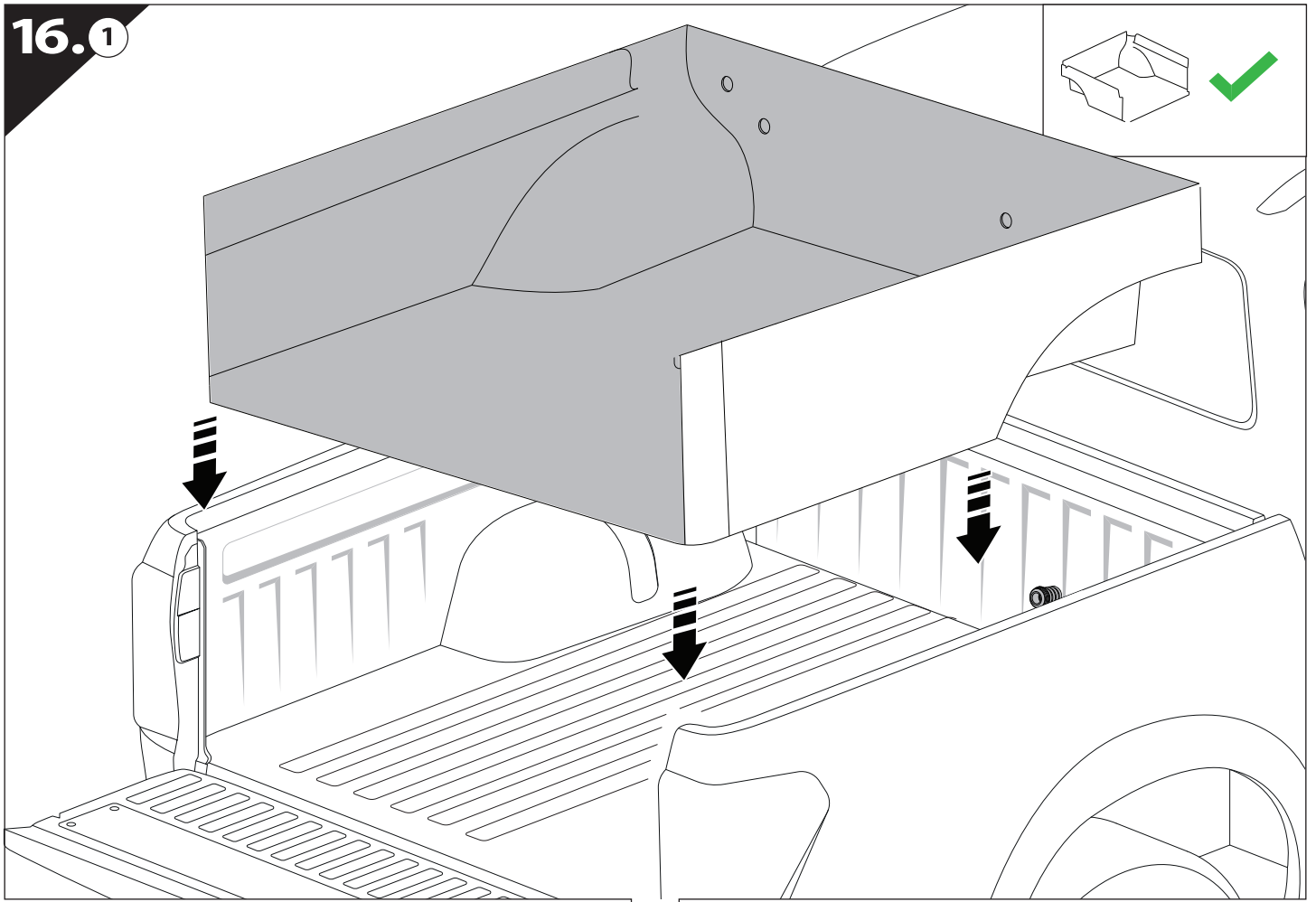




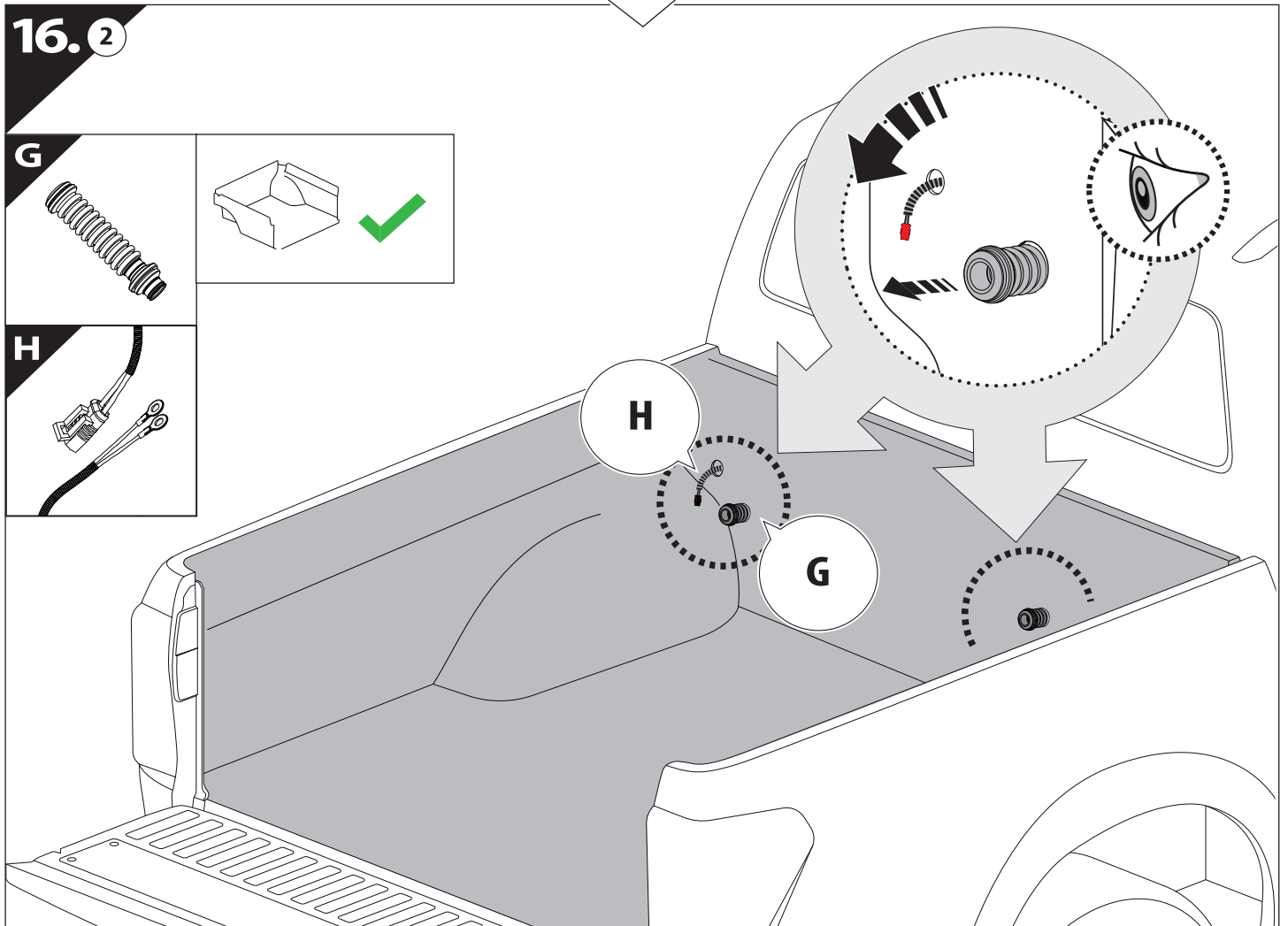
**16** Only to be installed by authorized personnel

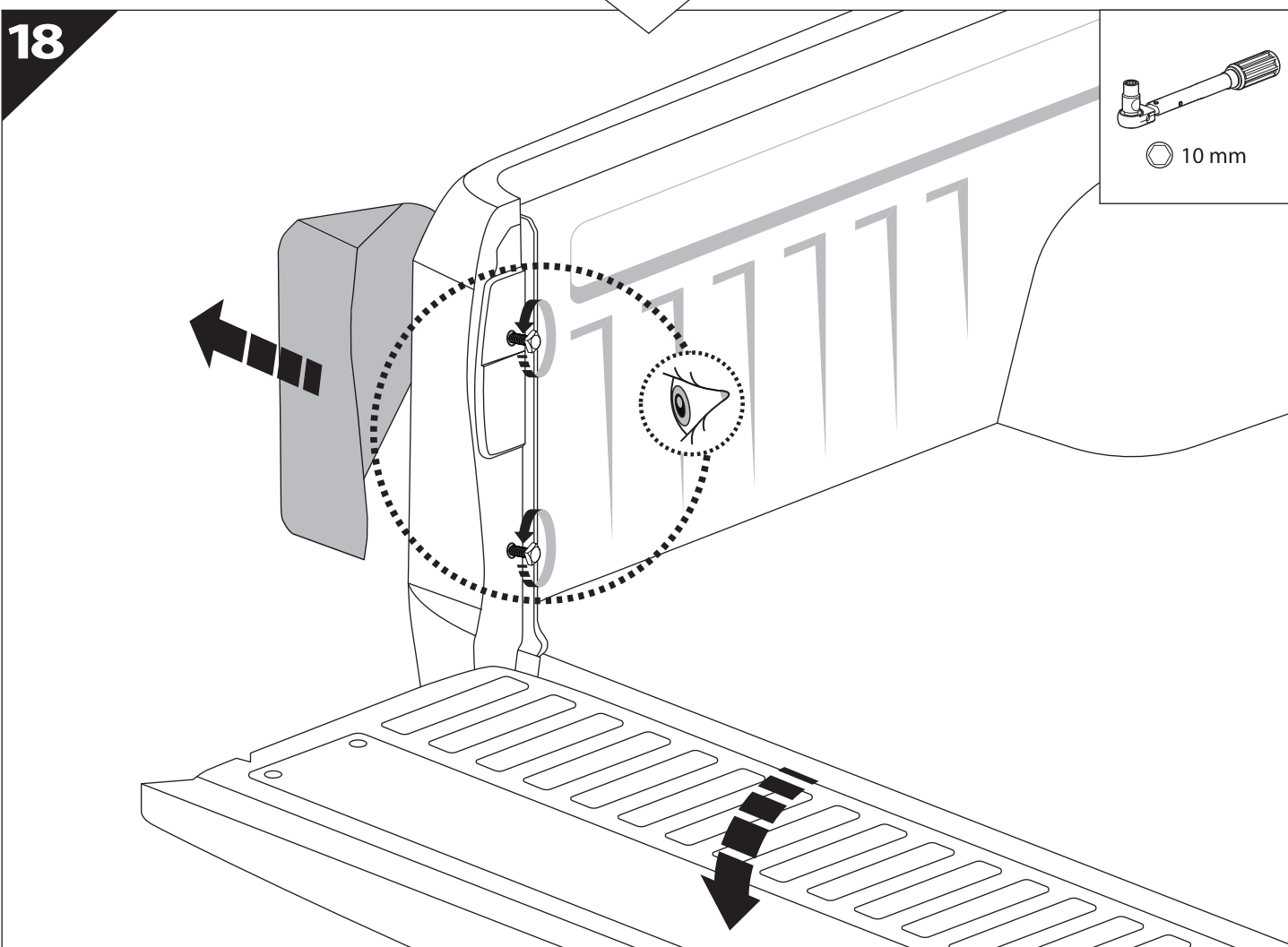
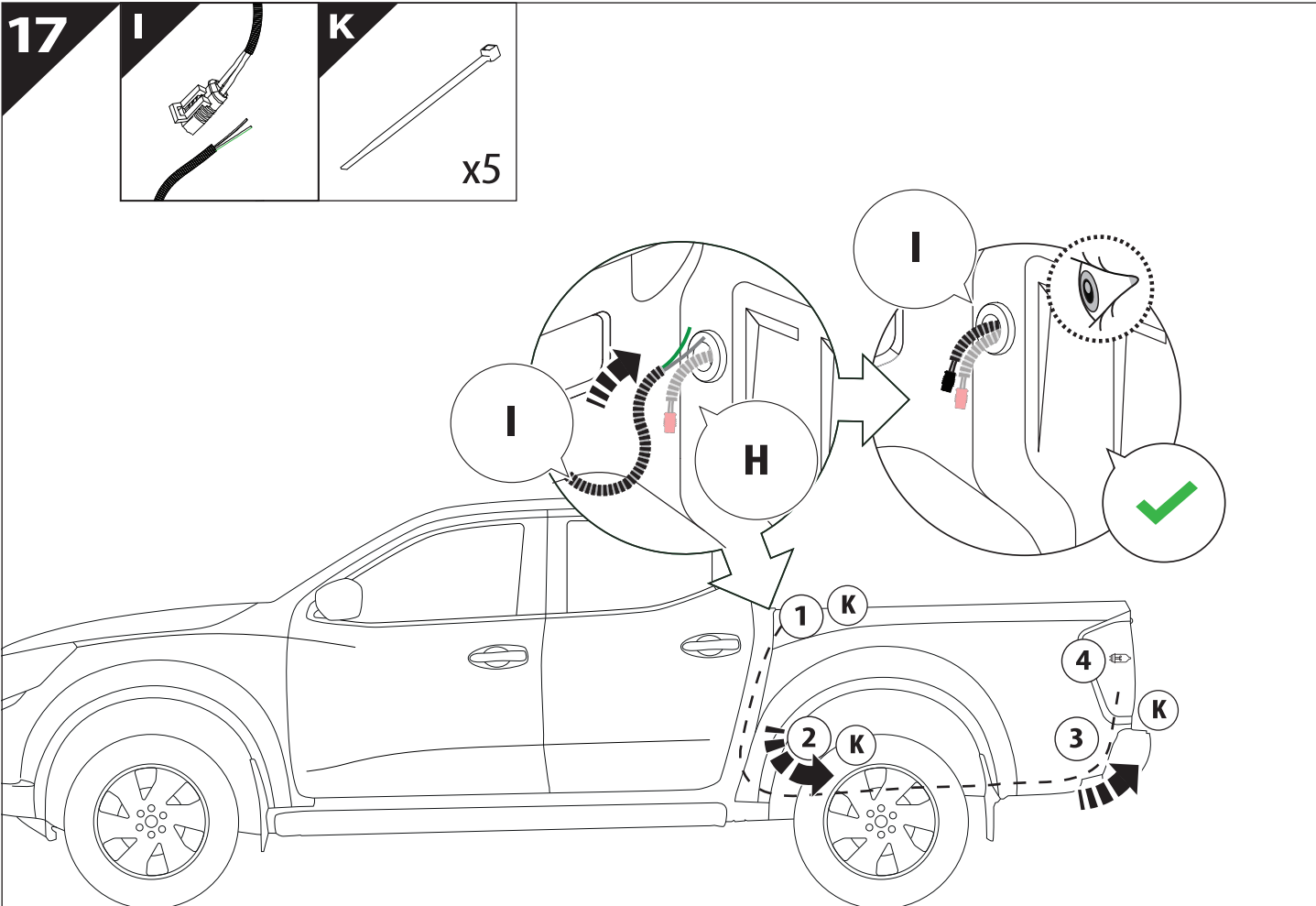


16.1



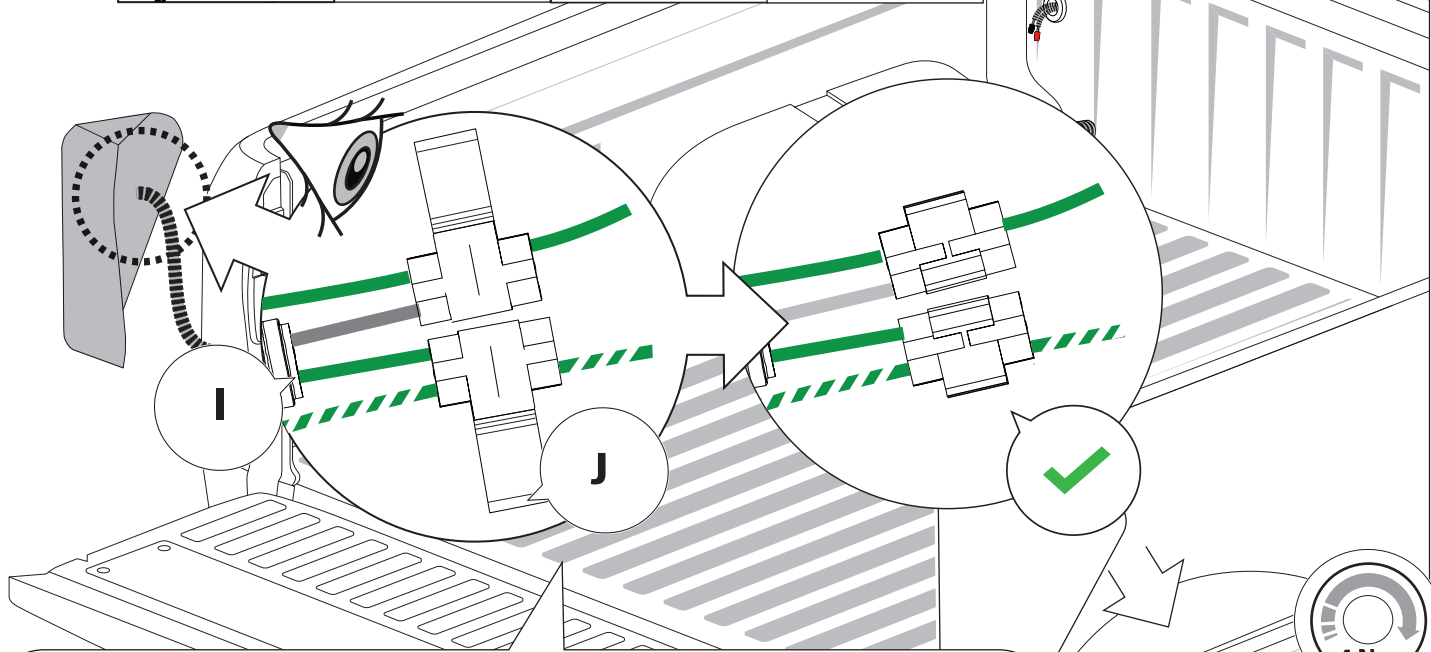
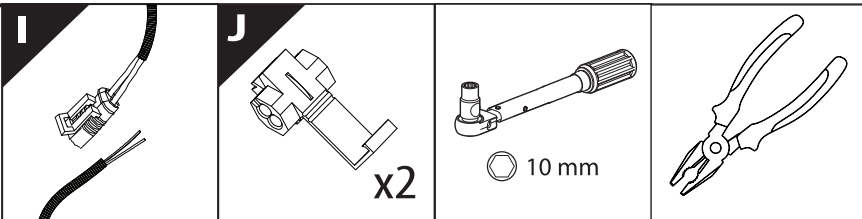
16.2



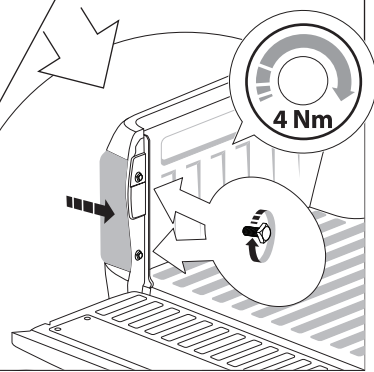




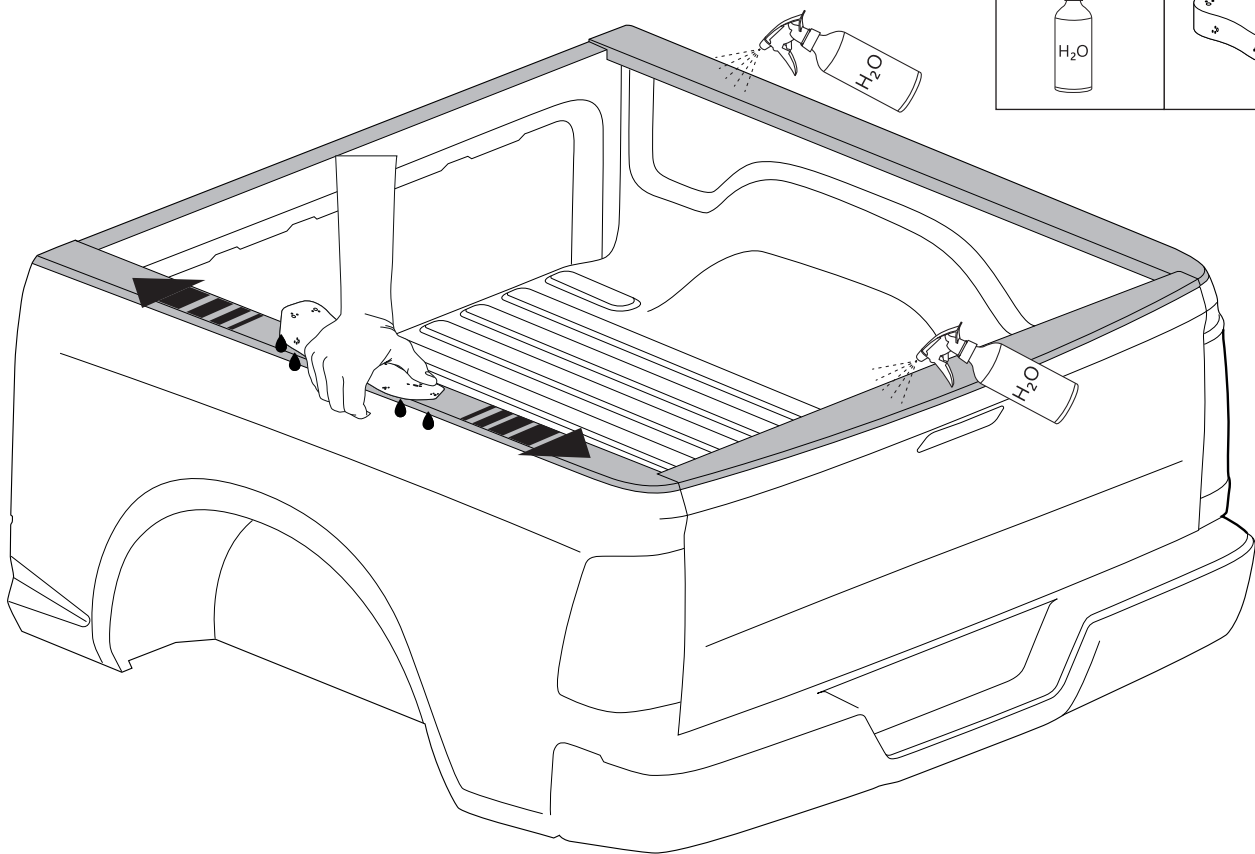
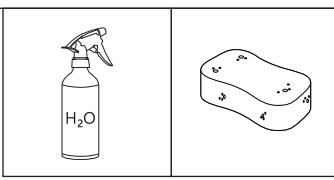
19

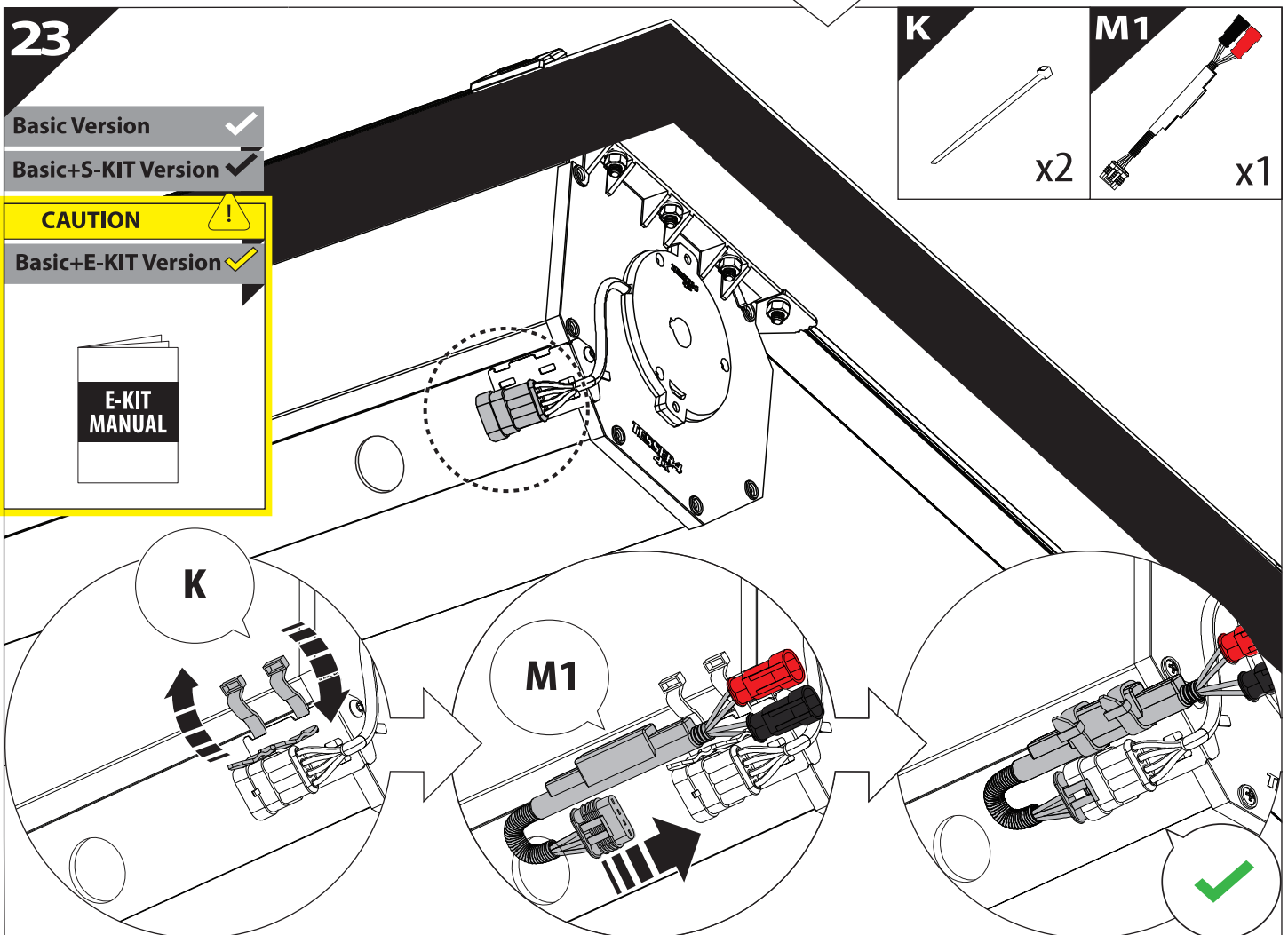
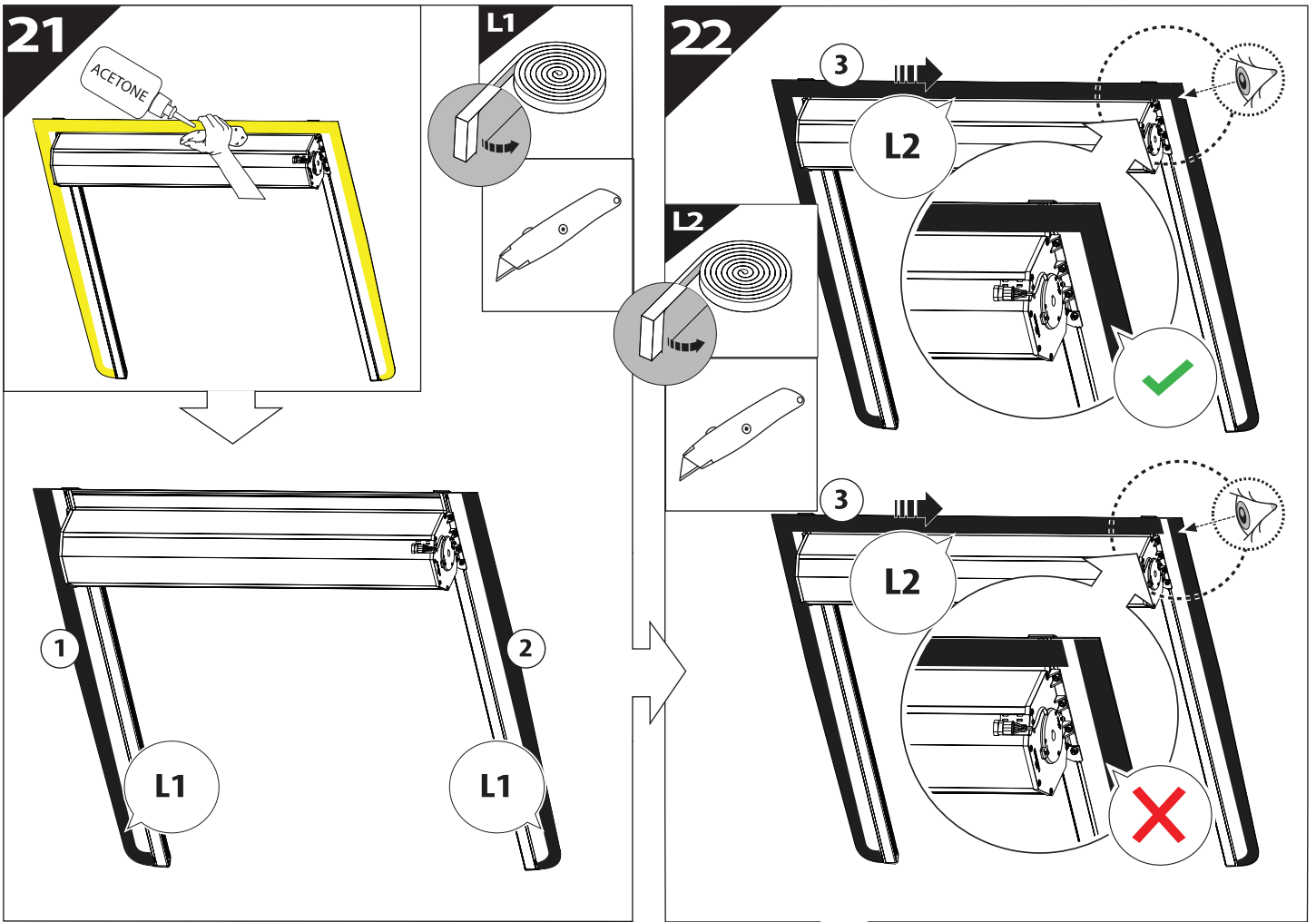


MODEL YEAR	LIGHTS	CAR	TESSERA ROLL+
HILUX 2016+/2021+	BEAM		
HILUX 2016+	STOP		
HILUX 2021+	STOP		

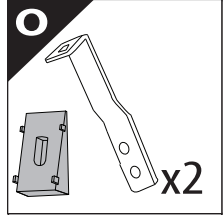
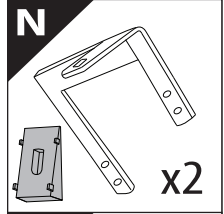
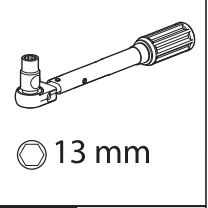
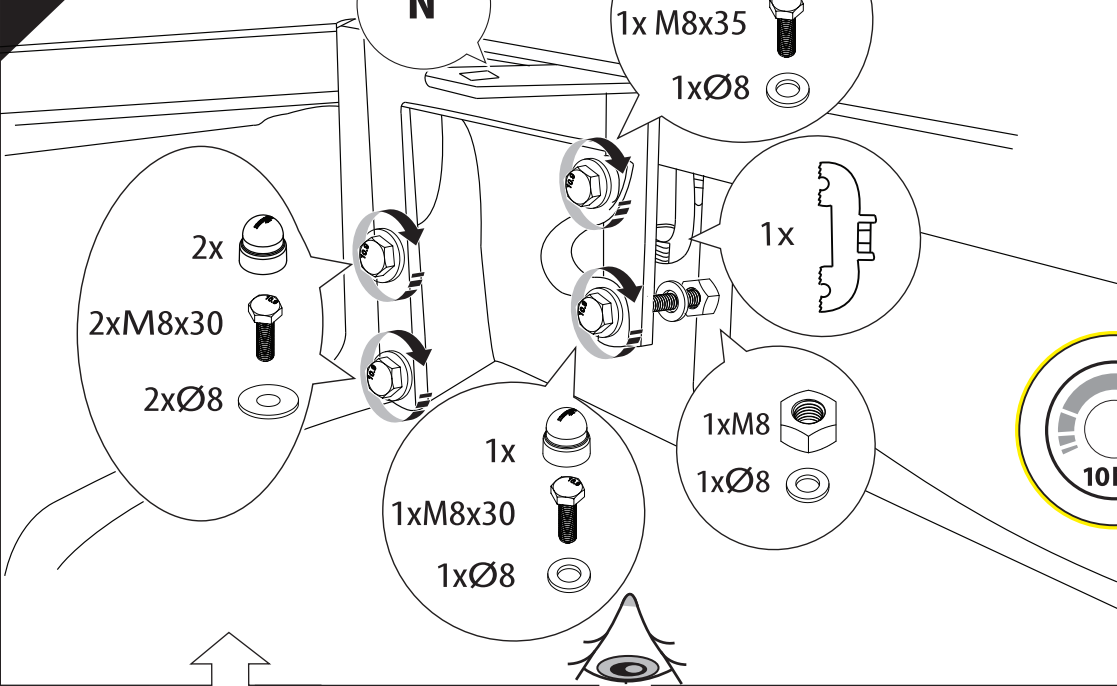


20



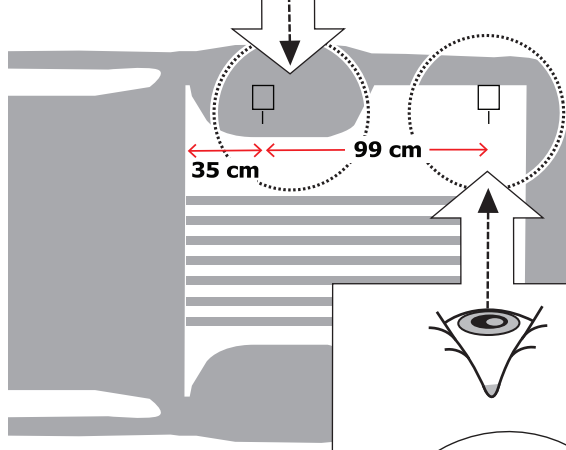


24



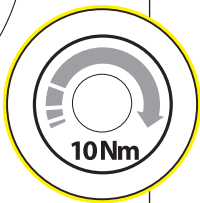
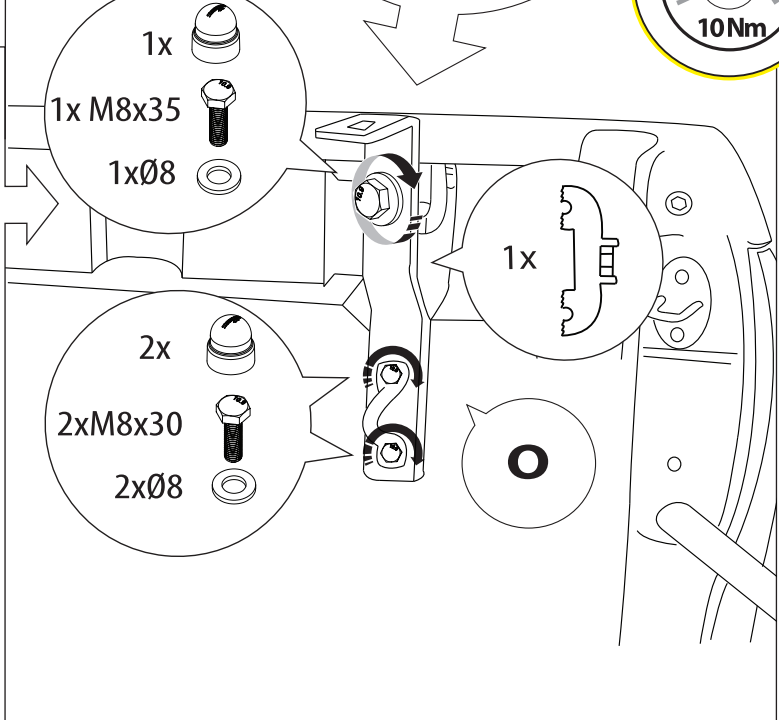
E2

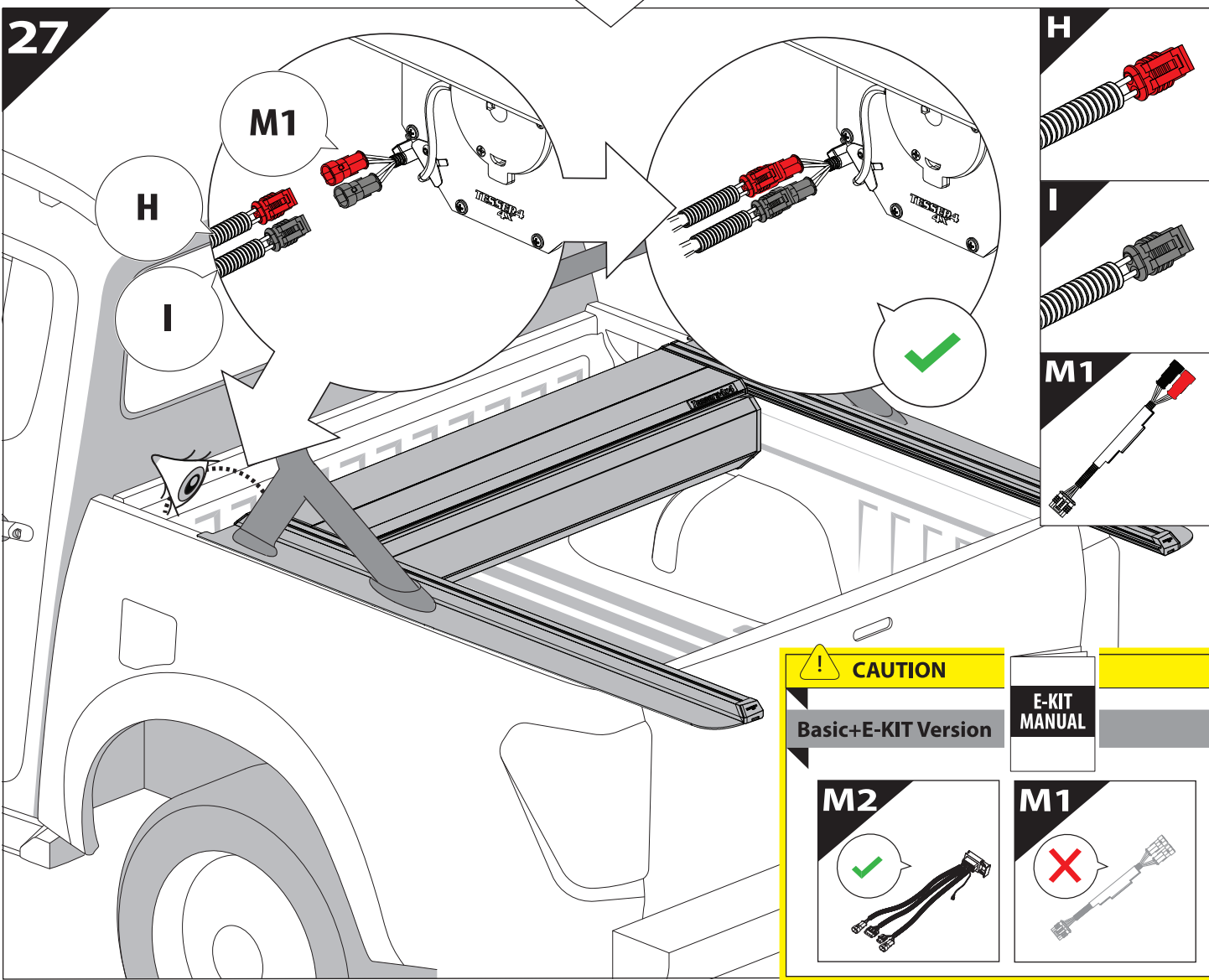
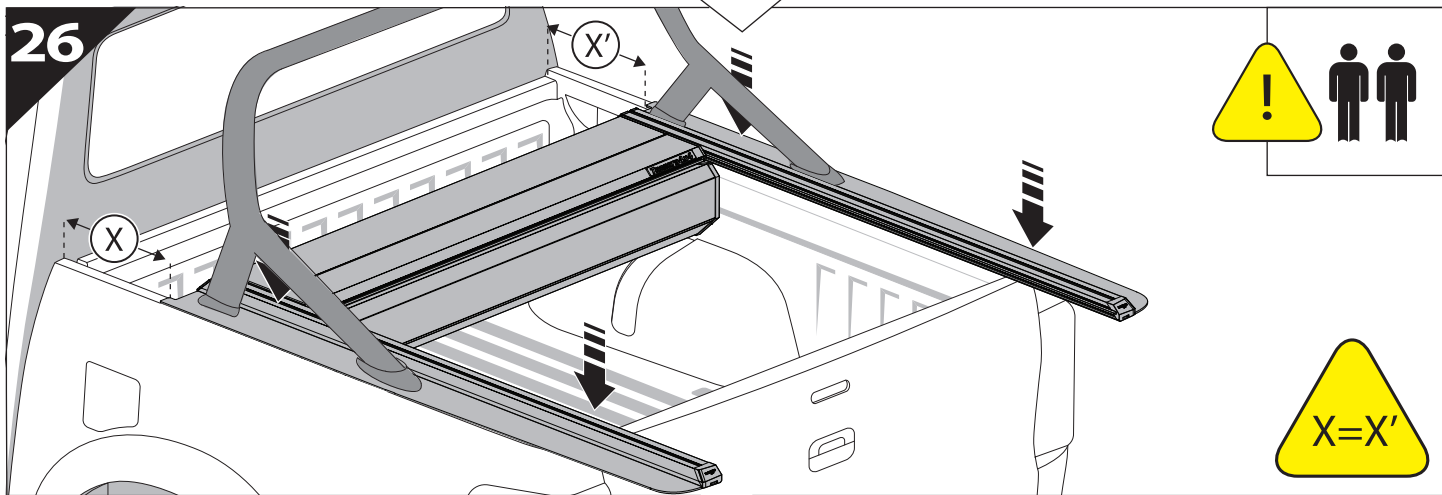
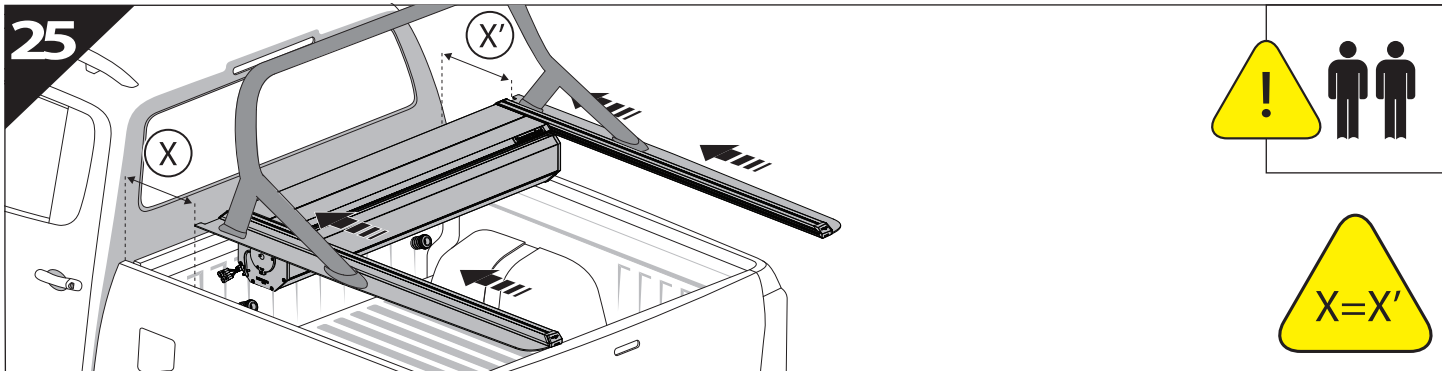
- 8xM8
- 6x M8x30
- 2x M8x35
- 4xØ8
- 6xØ8
- 2xM8
- x2



E3

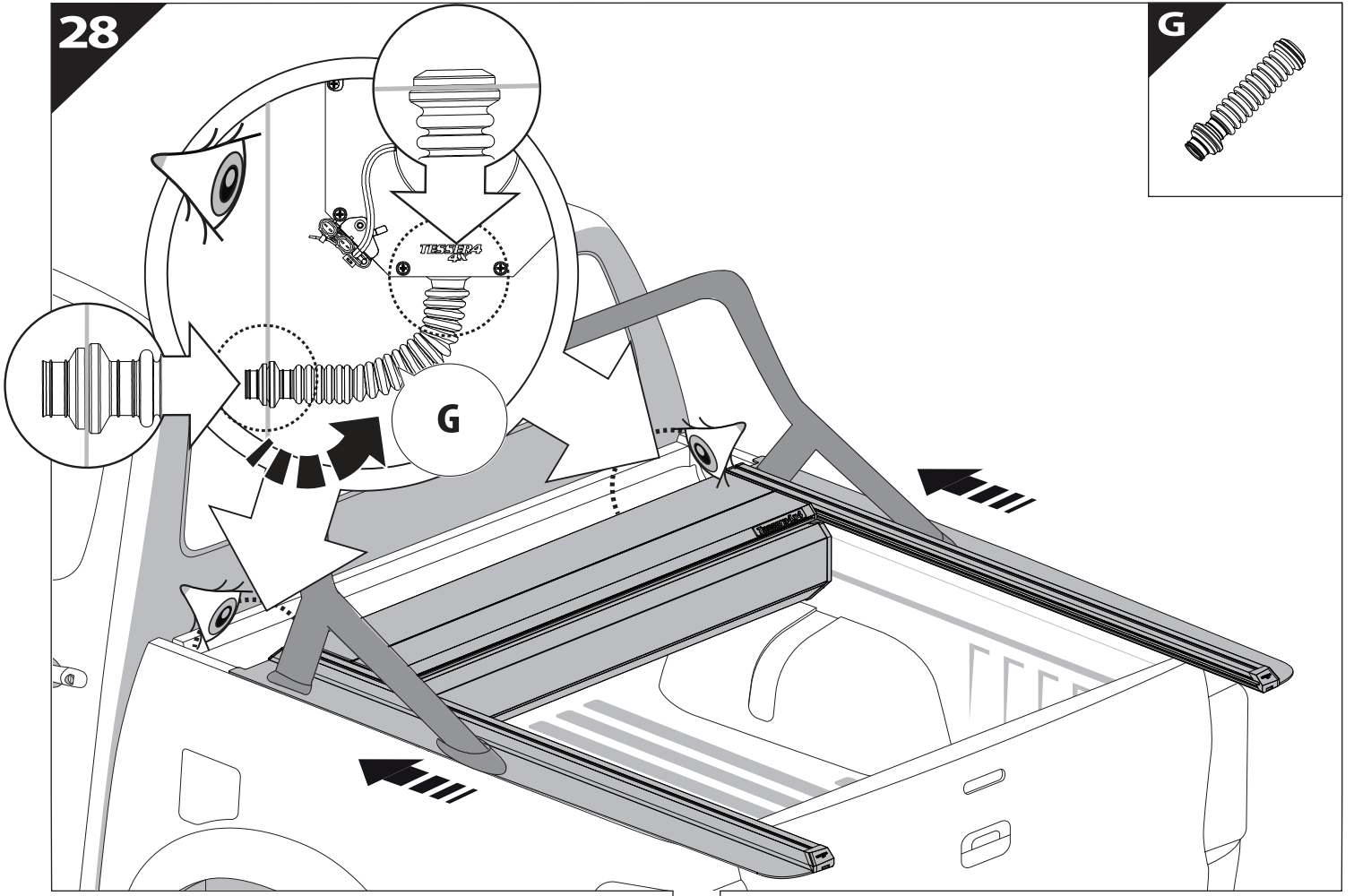
- 6xM8
- 4x M8x30
- 2x M8x35
- 6xØ8
- x2



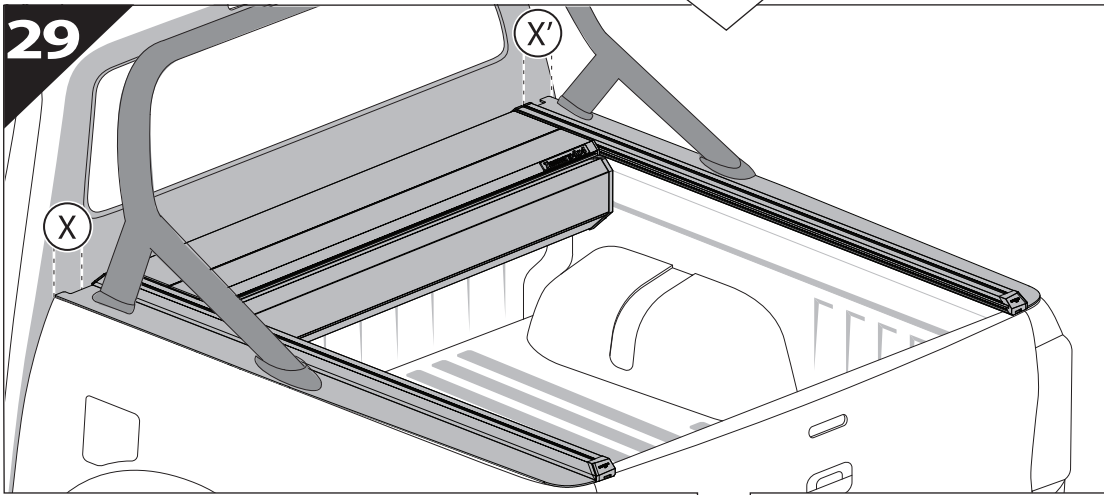
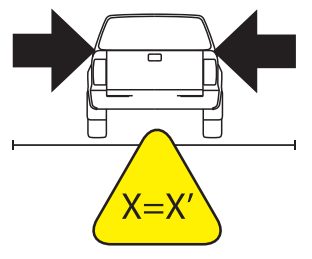


28

G

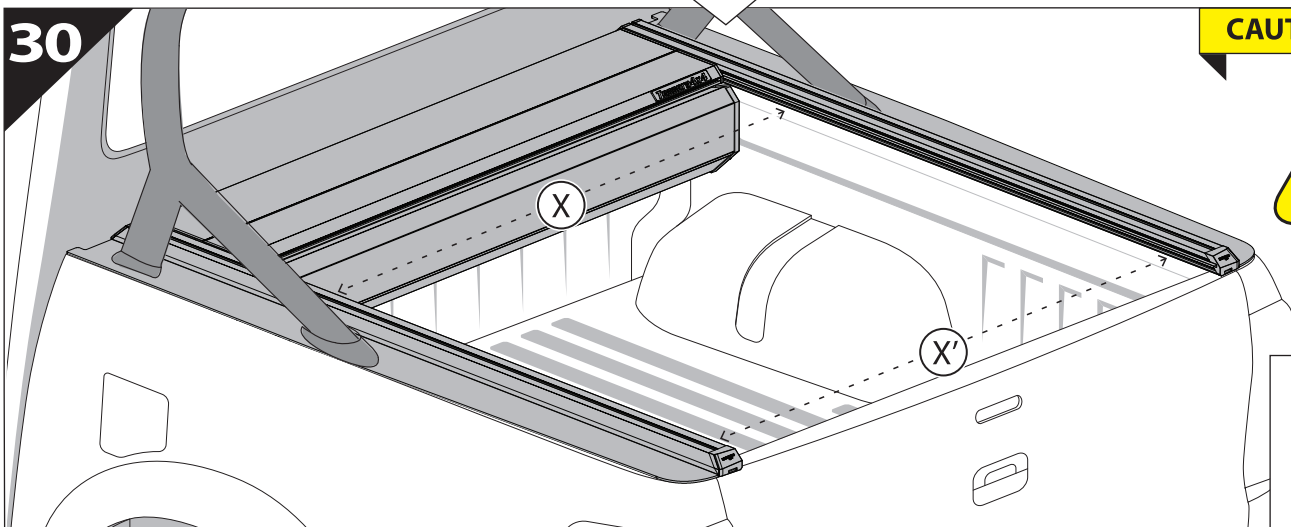
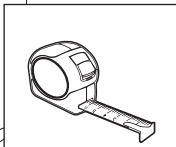


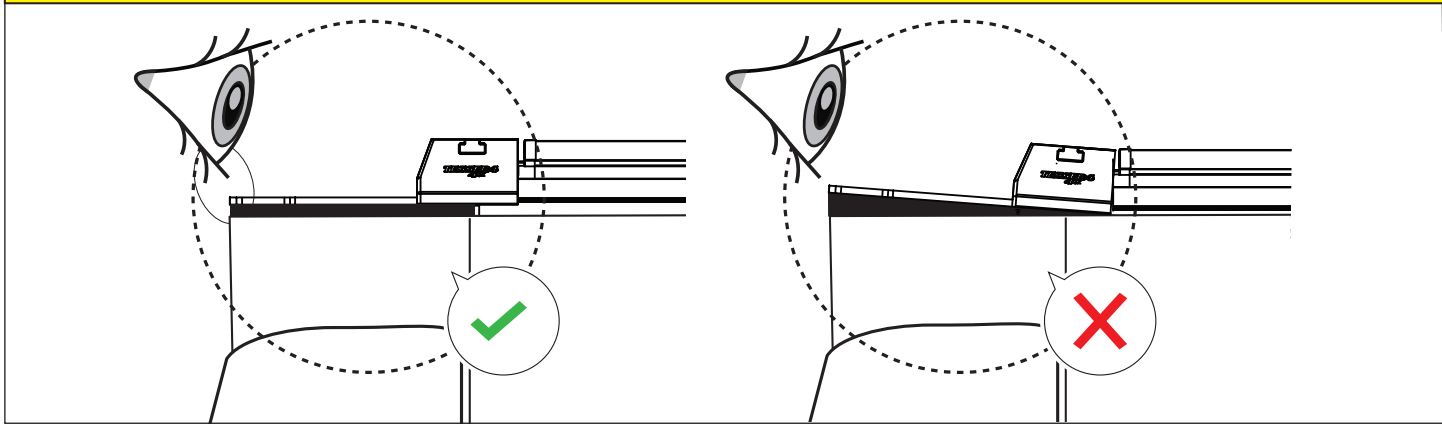
29



30

CAUTION !





**31**

The main diagram shows a person's eye looking at a mechanical assembly. A torque wrench is used to tighten a bolt, with a callout indicating a torque of **10 Nm**. A callout 'N' points to the eye area. A dashed circle highlights the bolt being tightened. An inset diagram at the bottom left shows a close-up of a square hole in a metal plate with an eye looking at it.

**E**

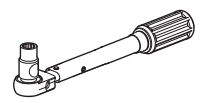
- Hardware list: 1 bolt, 1 washer, 1 nut, 1 sleeve, 2 of each (x2).
- 13 mm torque wrench.

**N**

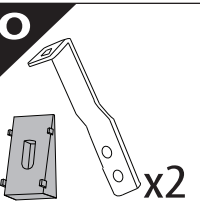
- 2 of each (x2): 1 square hole plate, 1 L-shaped bracket.



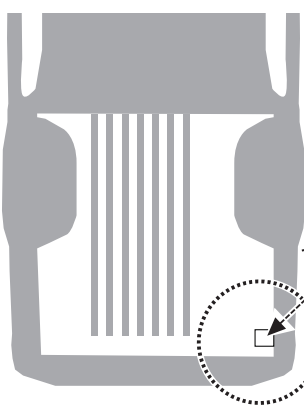
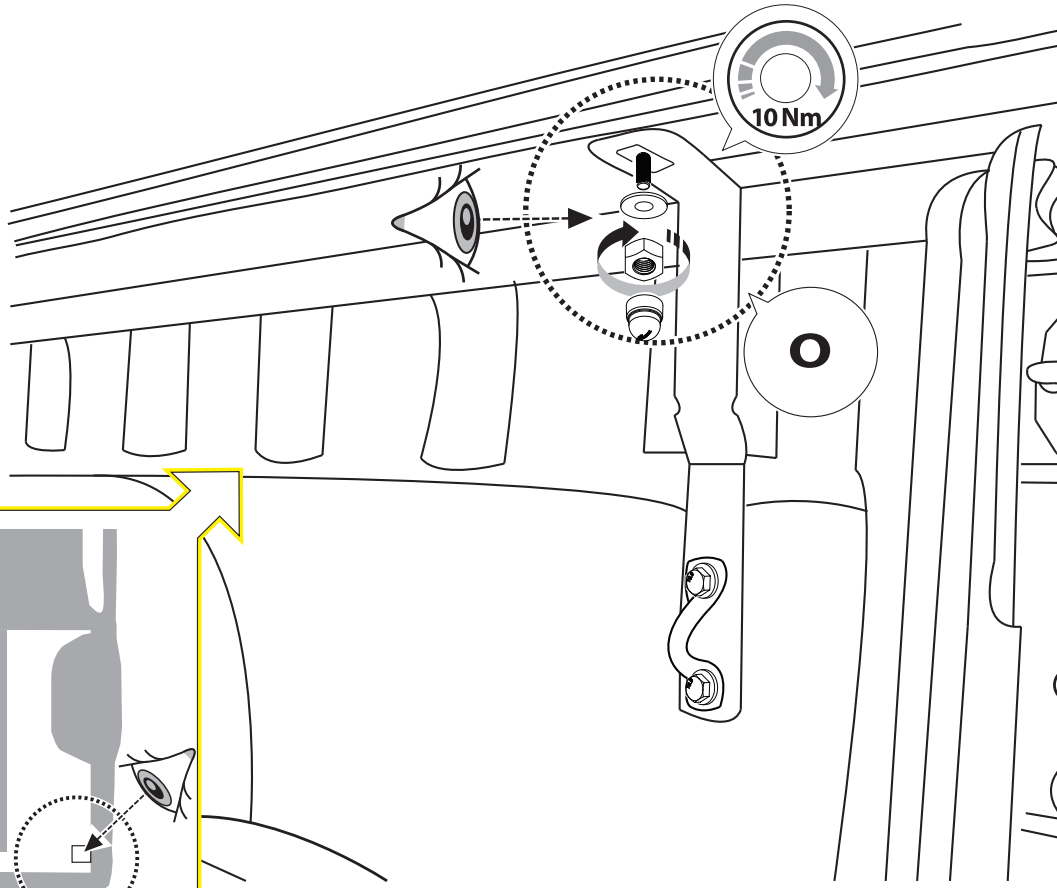
x2



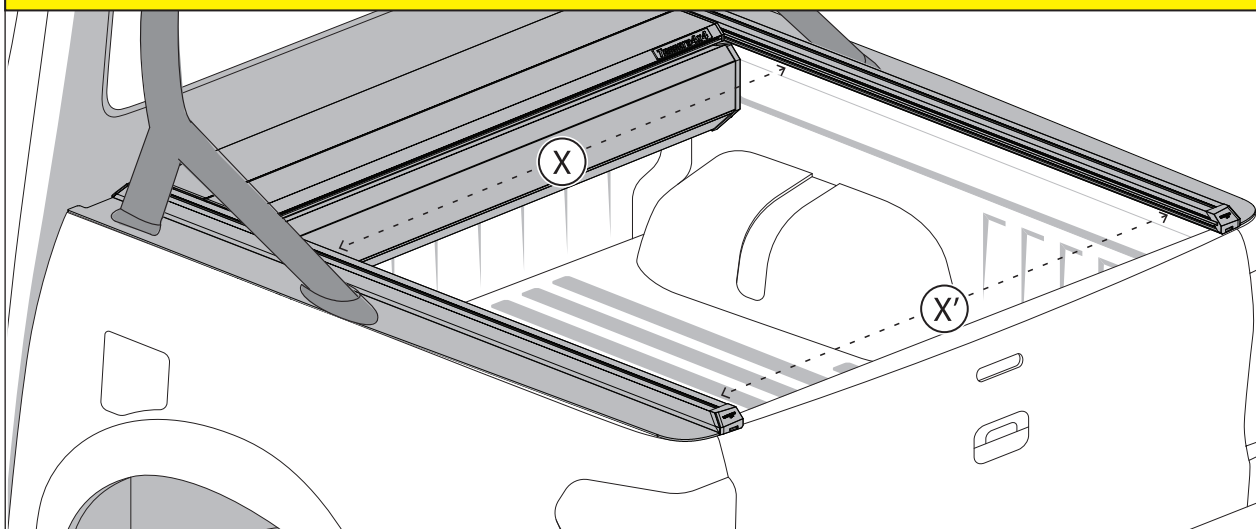
13 mm



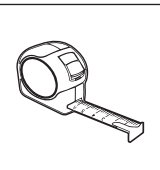
x2



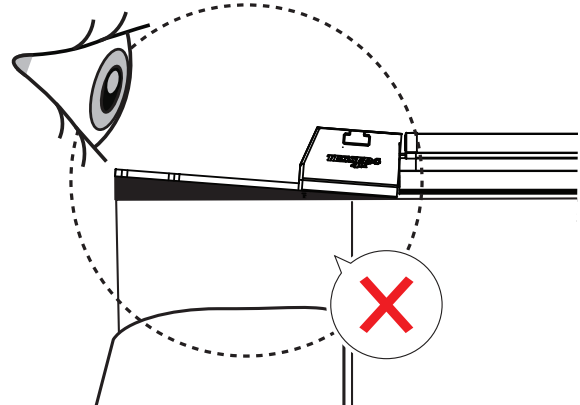
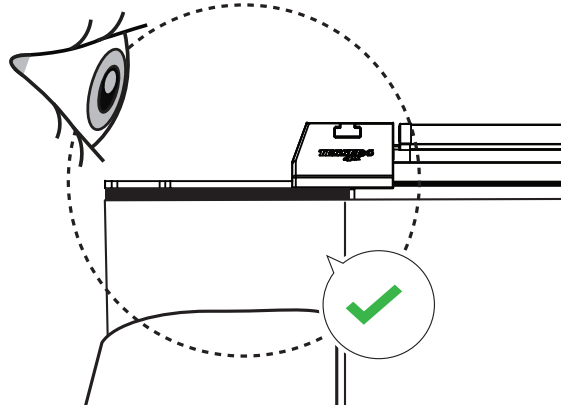
CAUTION !

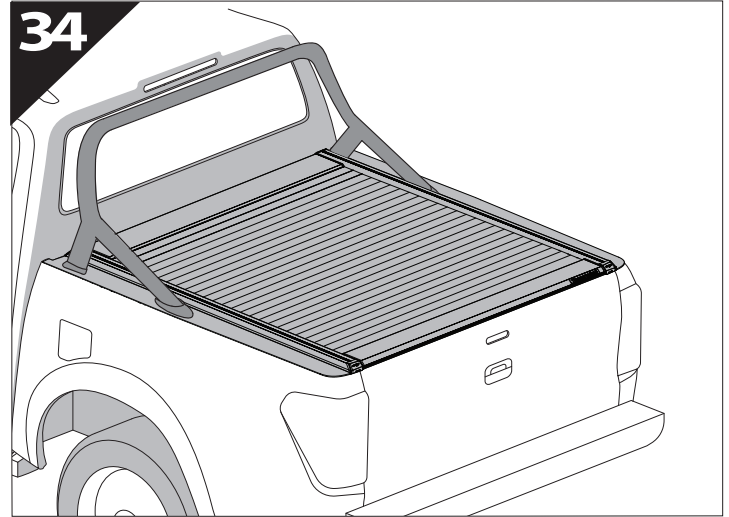
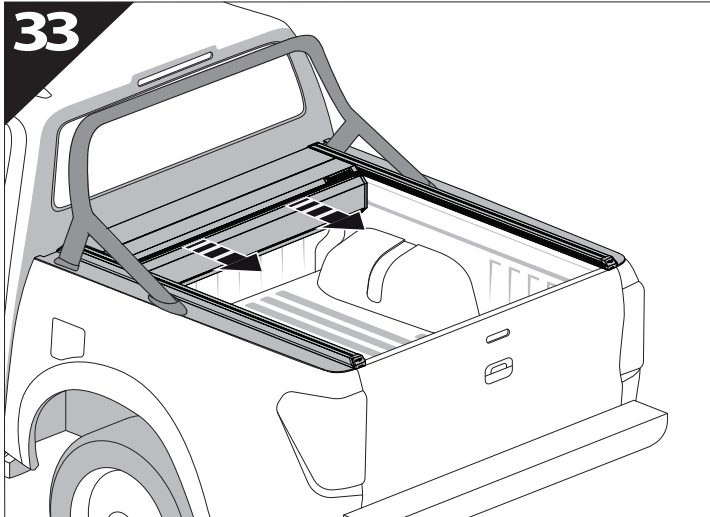


X=X'



CAUTION !





**GR:** Οδηγίες Εγκατάστασης  
**GB:** Installation manual  
**SF:** Asennusohje  
**F:** Notice de montage  
**PL:** Instrukcja montażu  
**NL:** Installatie-instructies  
**TR:** Montaj Talimatı  
**S:** Monteringsanvisning  
**E:** Instrucciones de montaje

**H:** Szerelési utasítás  
**P:** Instruções de instalação  
**RUS:** Инструкция по установке  
**N:** Monteringsveiledning  
**D:** Einbauanleitung  
**CZ:** Návod k instalaci  
**I:** Istruzioni de montaggio  
**DK:** Monteringsvejledning  
**RO:** Instructiuni de instalare

Customer Service:

+30 (210) 5541161, +30 (210) 5541154 (08:00 - 16:00 EET)

Support department:

info@gianso.gr

Website:

www.tessera4x4.com

Address:

19.5 km of National road Athens-Korinthos (Elefsina) Greece, P.C: 19200