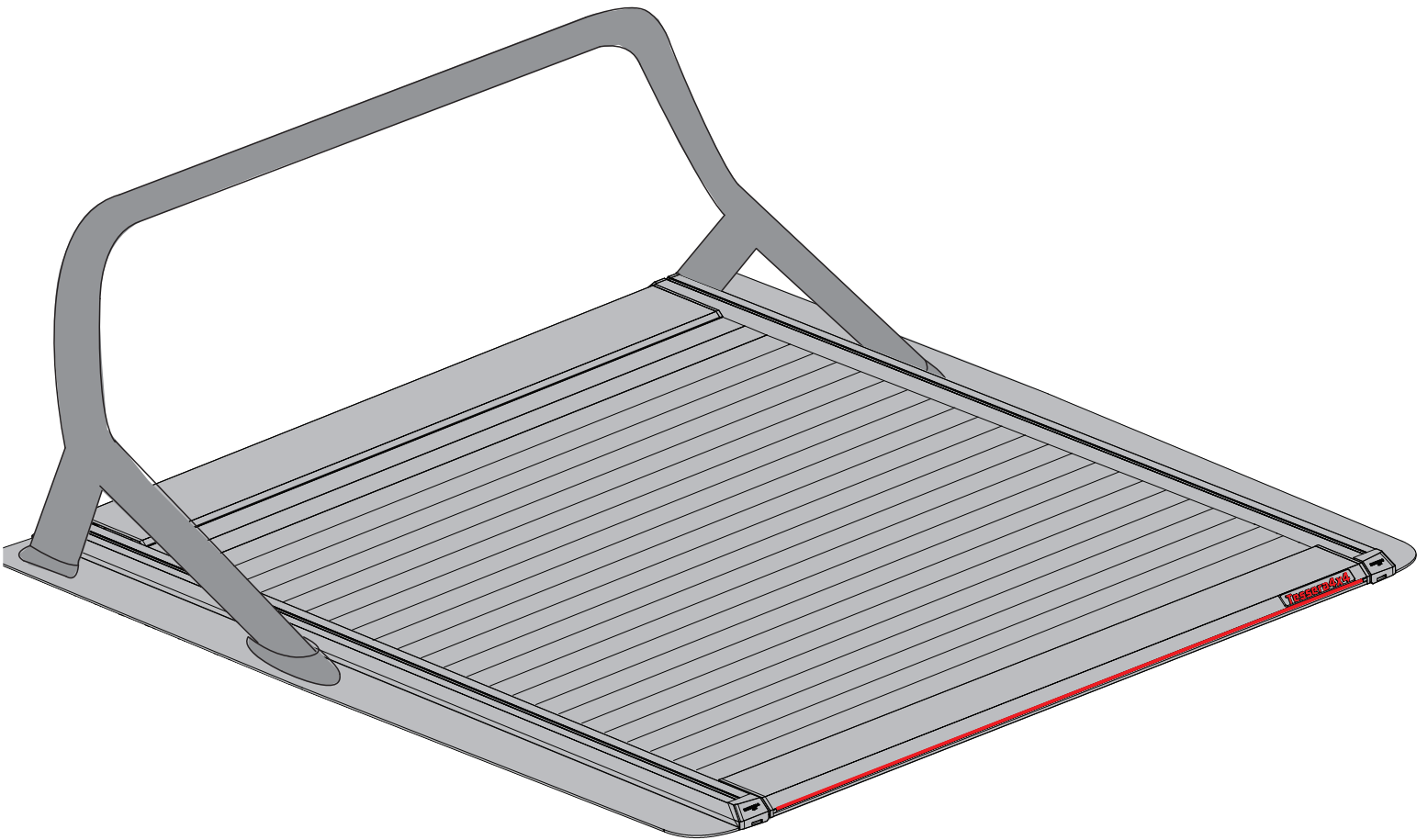


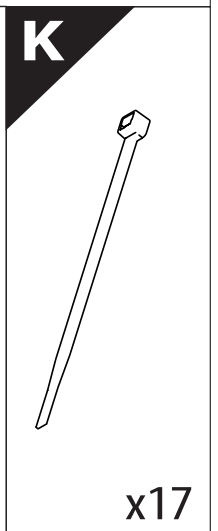
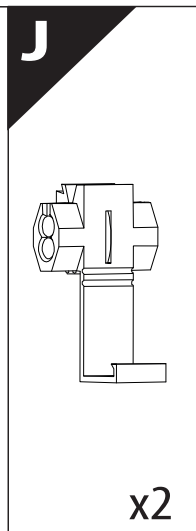
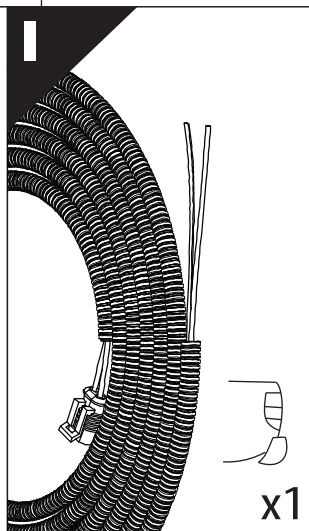
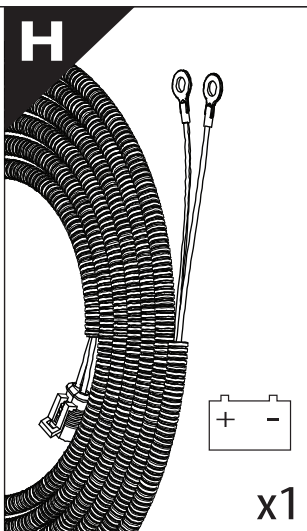
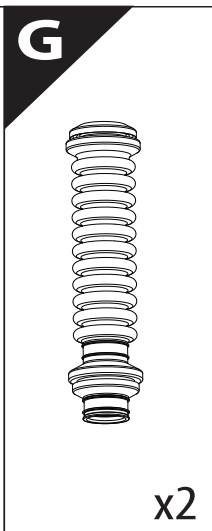
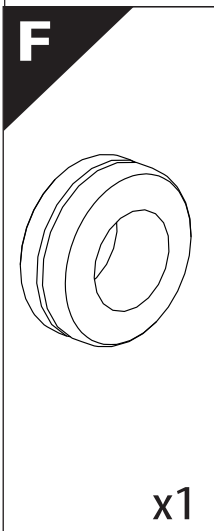
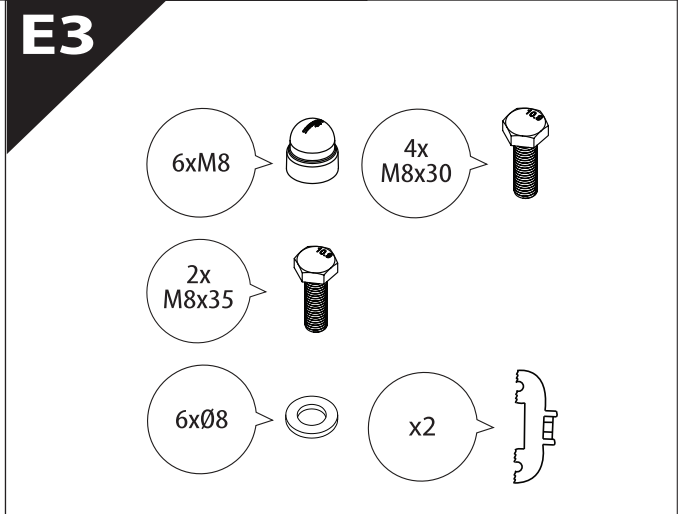
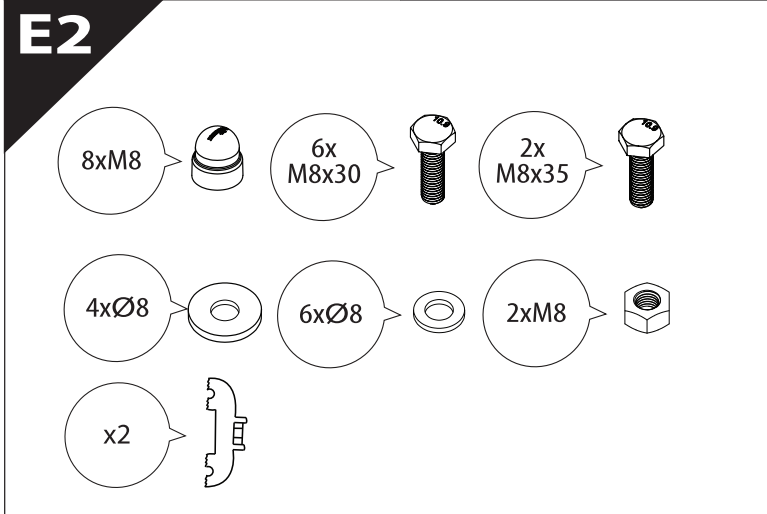
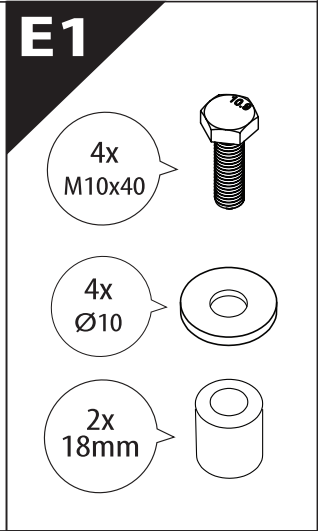
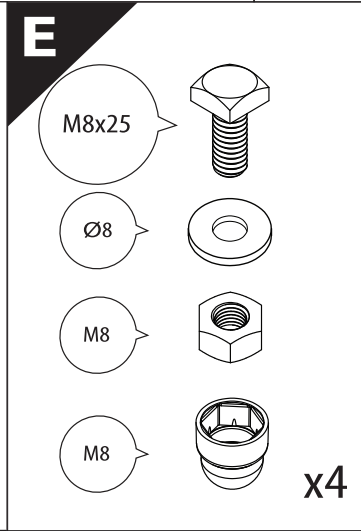
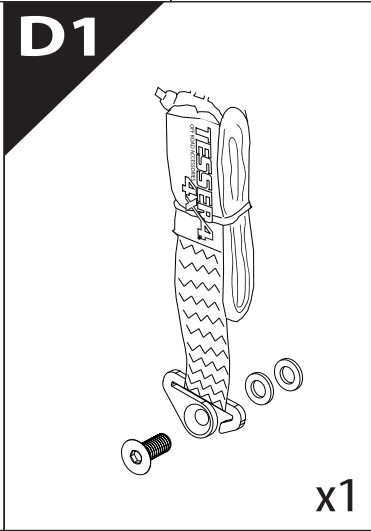
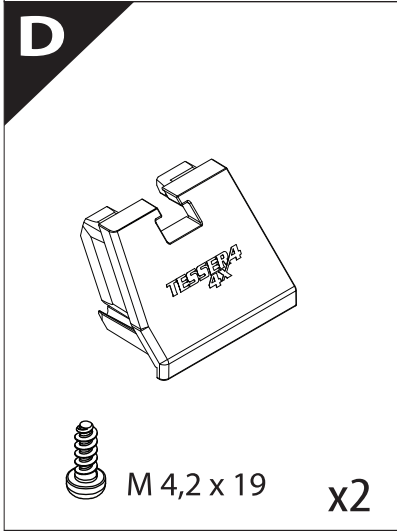
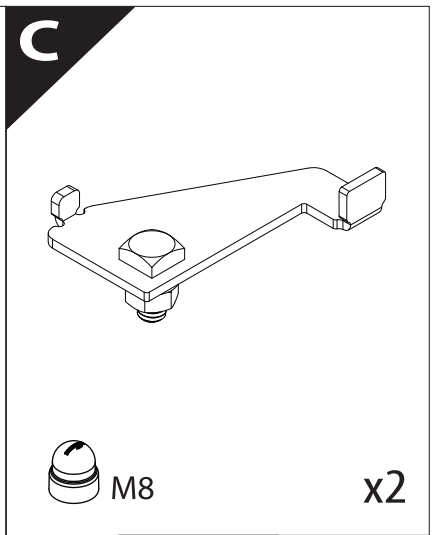
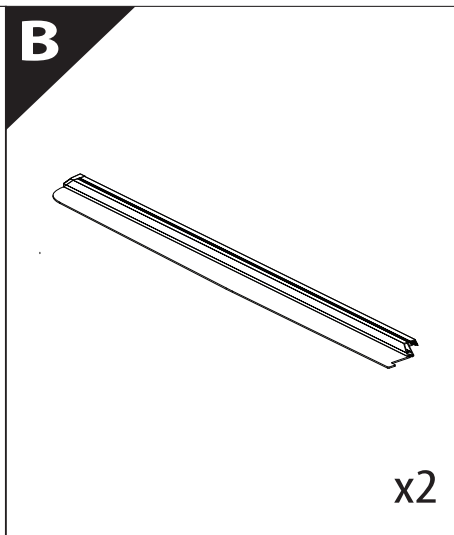
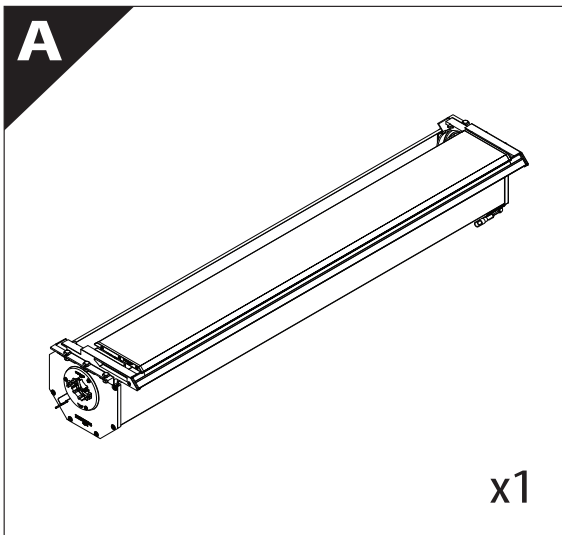
# Tessera Roll+

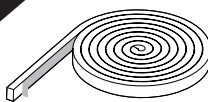
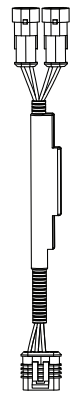
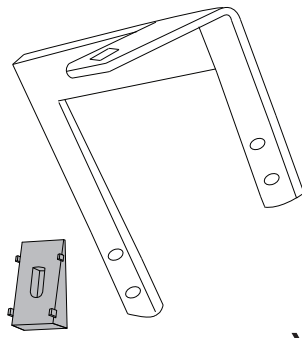
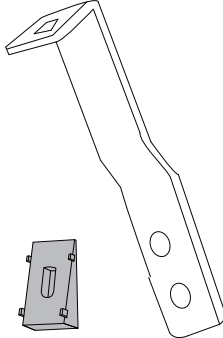
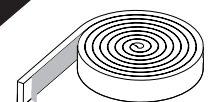
## Basic Version + ⚙️ S-KIT

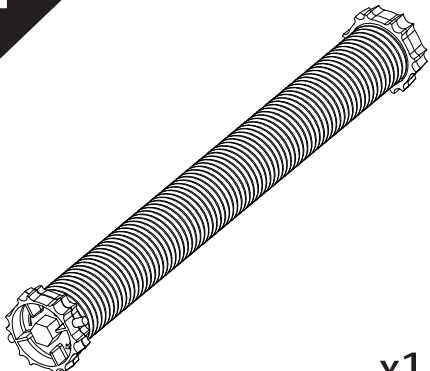

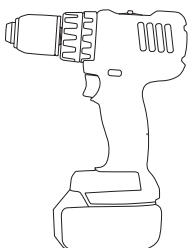

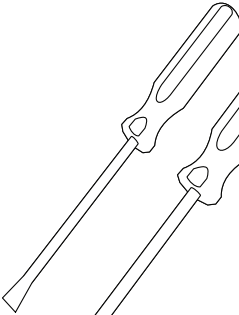
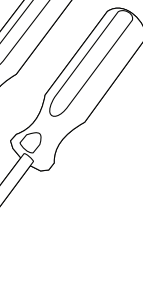
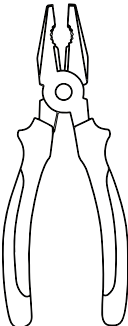


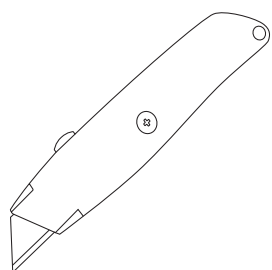
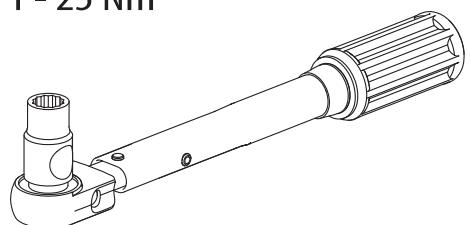
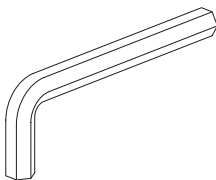
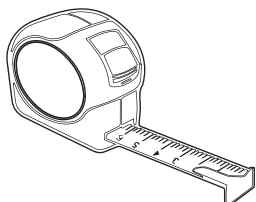
## Installation Manual



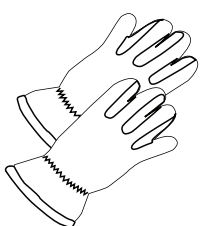
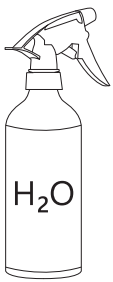

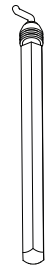
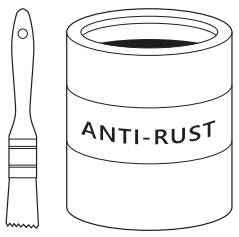
<b>PART NUMBER(S)</b>	<b>Model Year</b>
<b>TESS 14161 ROLL+S-KIT</b>	<b>Toyota Hilux (Revo) 2016+ WITH OEM ROLL BAR</b>
<b>Cab(s)</b>	<b>Installation Time / Weight</b>
<b>Double Cab</b>	<b>40-60 minutes / 53-57 kg</b>


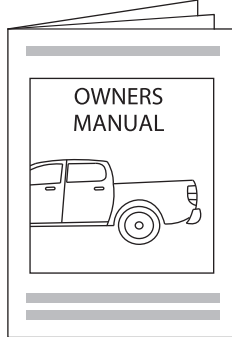


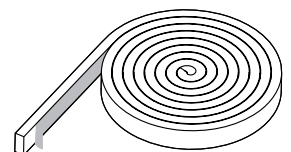
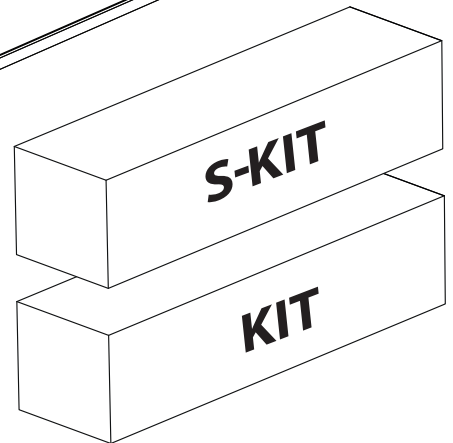
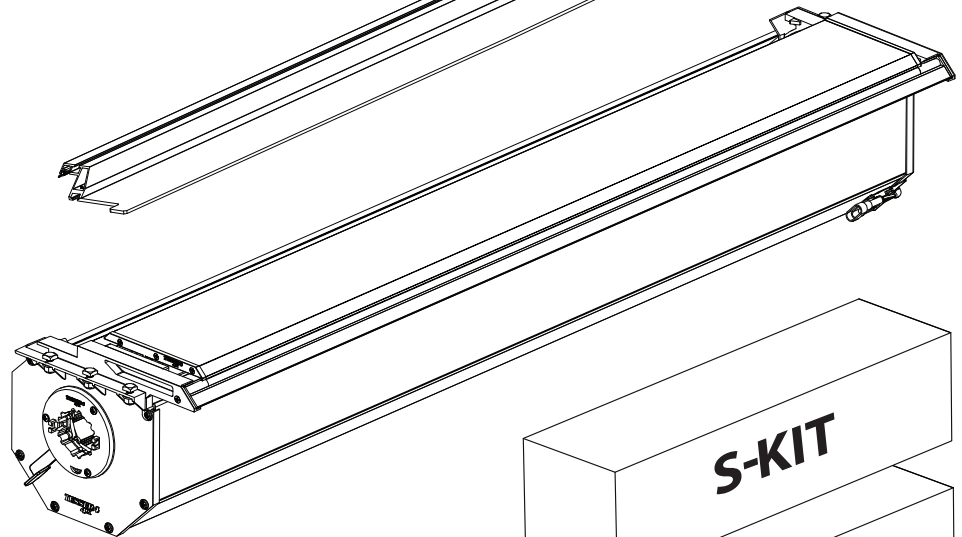
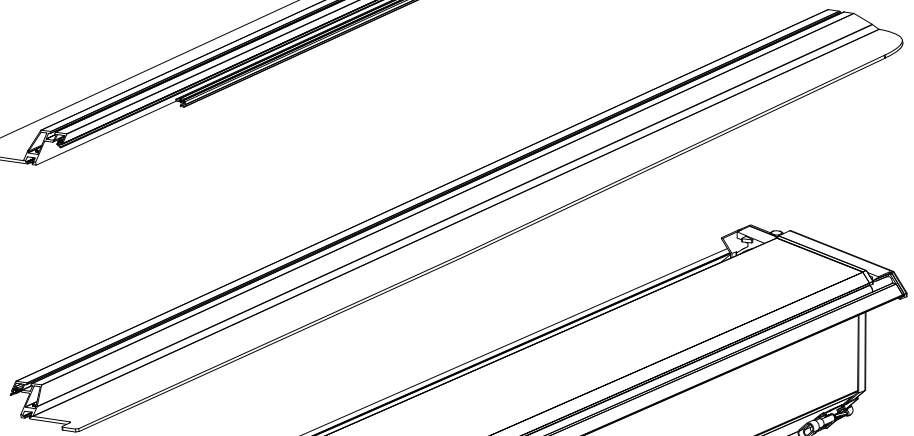
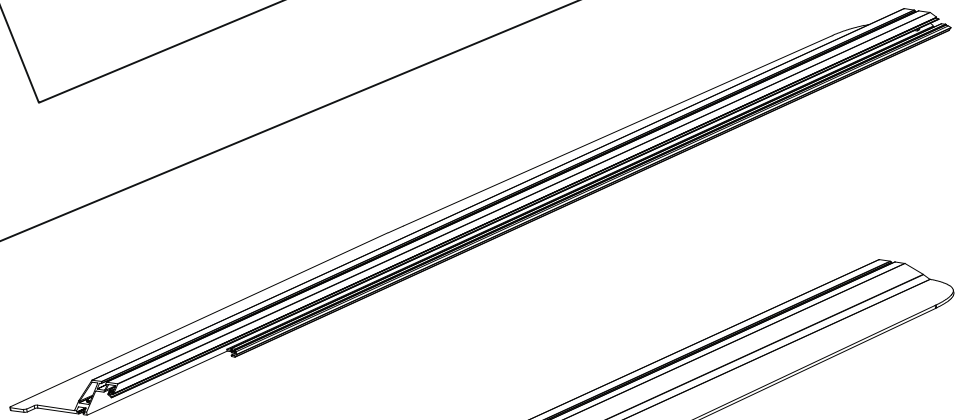
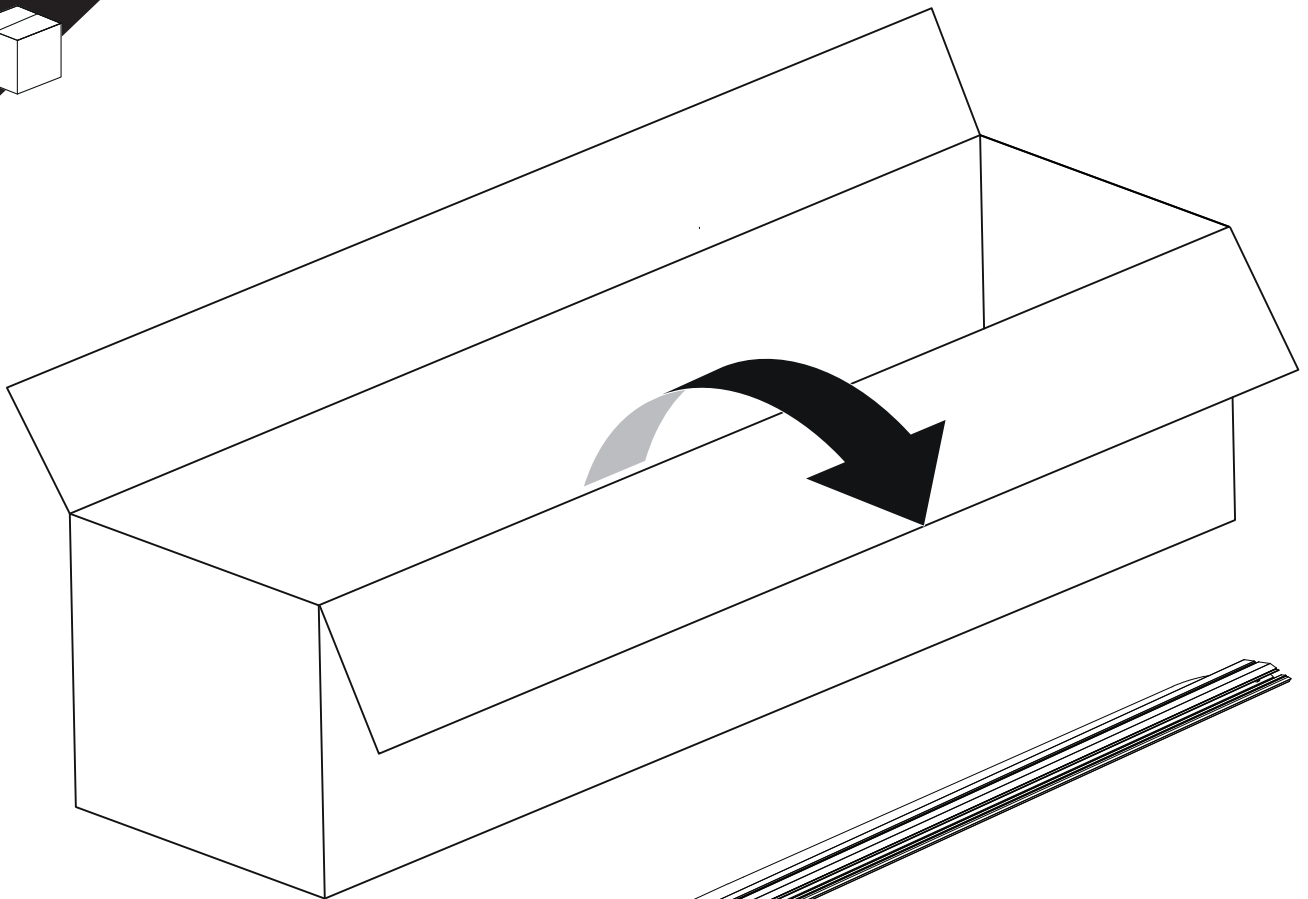
<p><b>L1</b> x1</p>  <p>1.5 x 0.8 x 400cm</p>	<p><b>M1</b></p>  <p>x1</p>	<p><b>N</b></p>  <p>x2</p>	<p><b>O</b></p>  <p>x2</p>
<p><b>L2</b> x1</p>  <p>5 x 0.8 x 167cm</p>			

<p><b>P</b></p>  <p>x1</p>	   <p>Ø 25 mm / Ø 40 mm</p>	  <p>− +</p>	
---	--	---	--

	<p>1 - 25 Nm</p>  <p>⊙ 10, 12, 13, 17 mm</p>	 <p>⊙ 4 mm, 5mm</p>	
--	---	---	---

 <p>ACETONE</p>			 <p>H<sub>2</sub>O</p>				 <p>ANTI-RUST</p>
--	---	---	---	---	--	---	--

 <p>INSTALATION MANUAL +S-KIT</p>	 <p>OWNERS MANUAL</p> <p>x1</p>
--	---



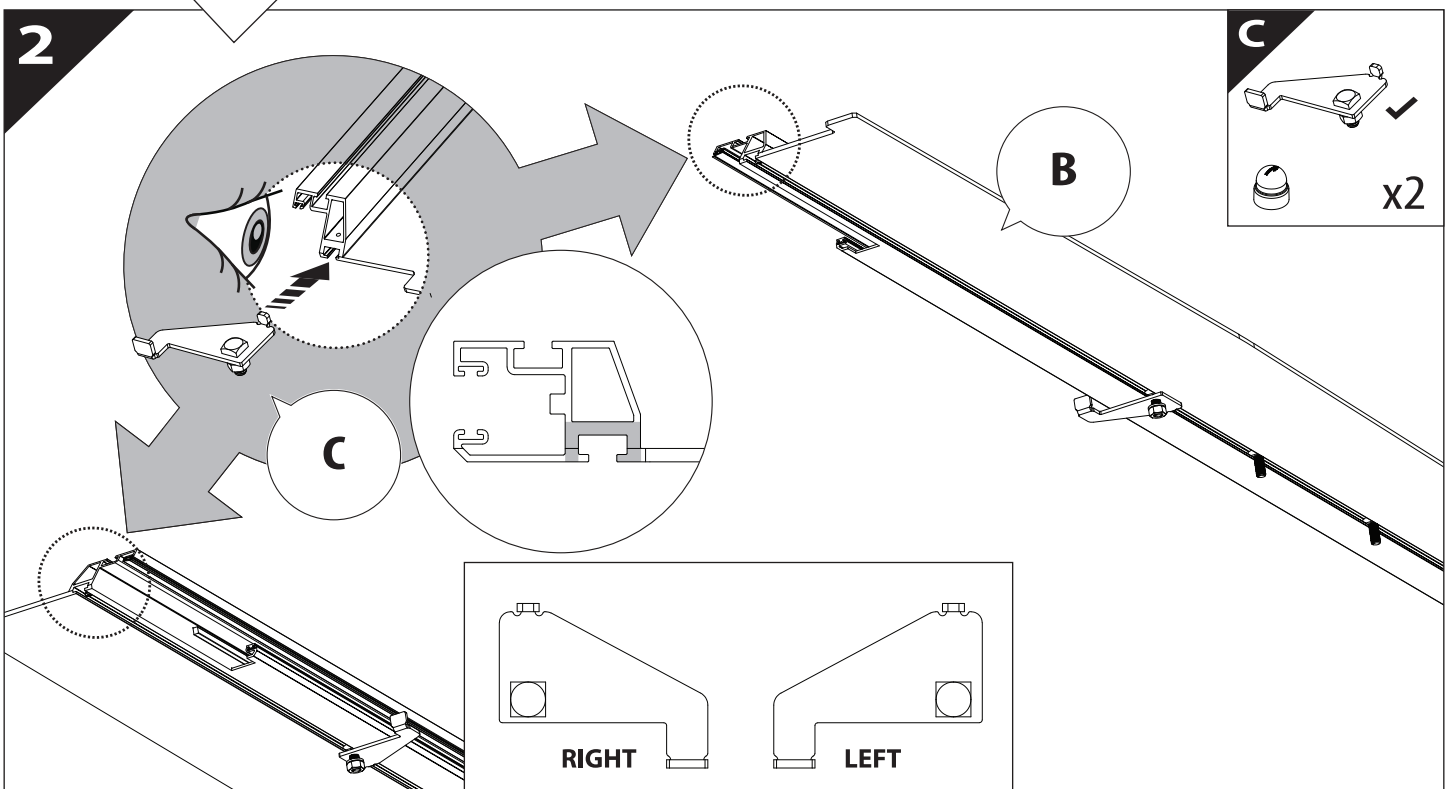
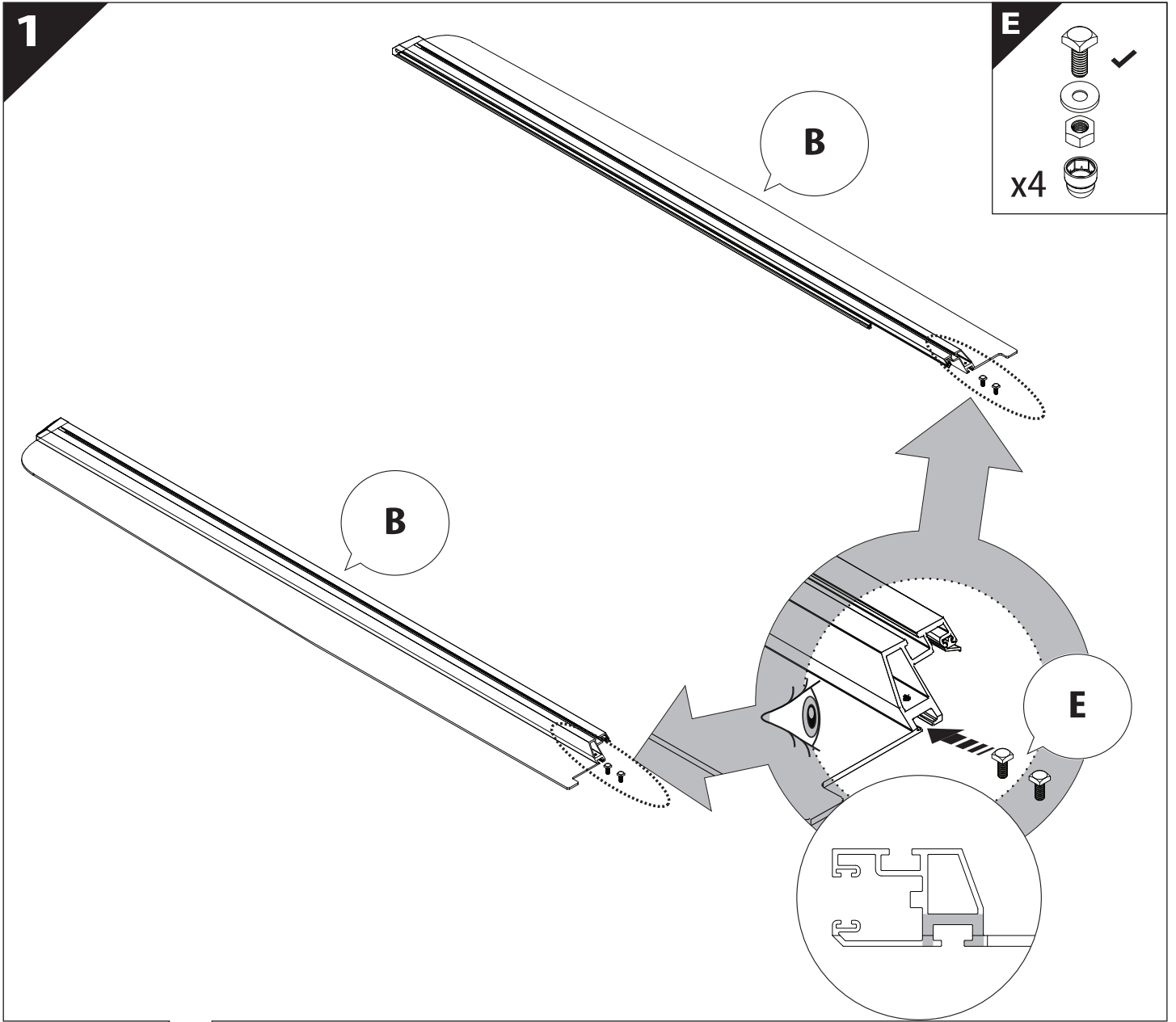
**B**

**A**

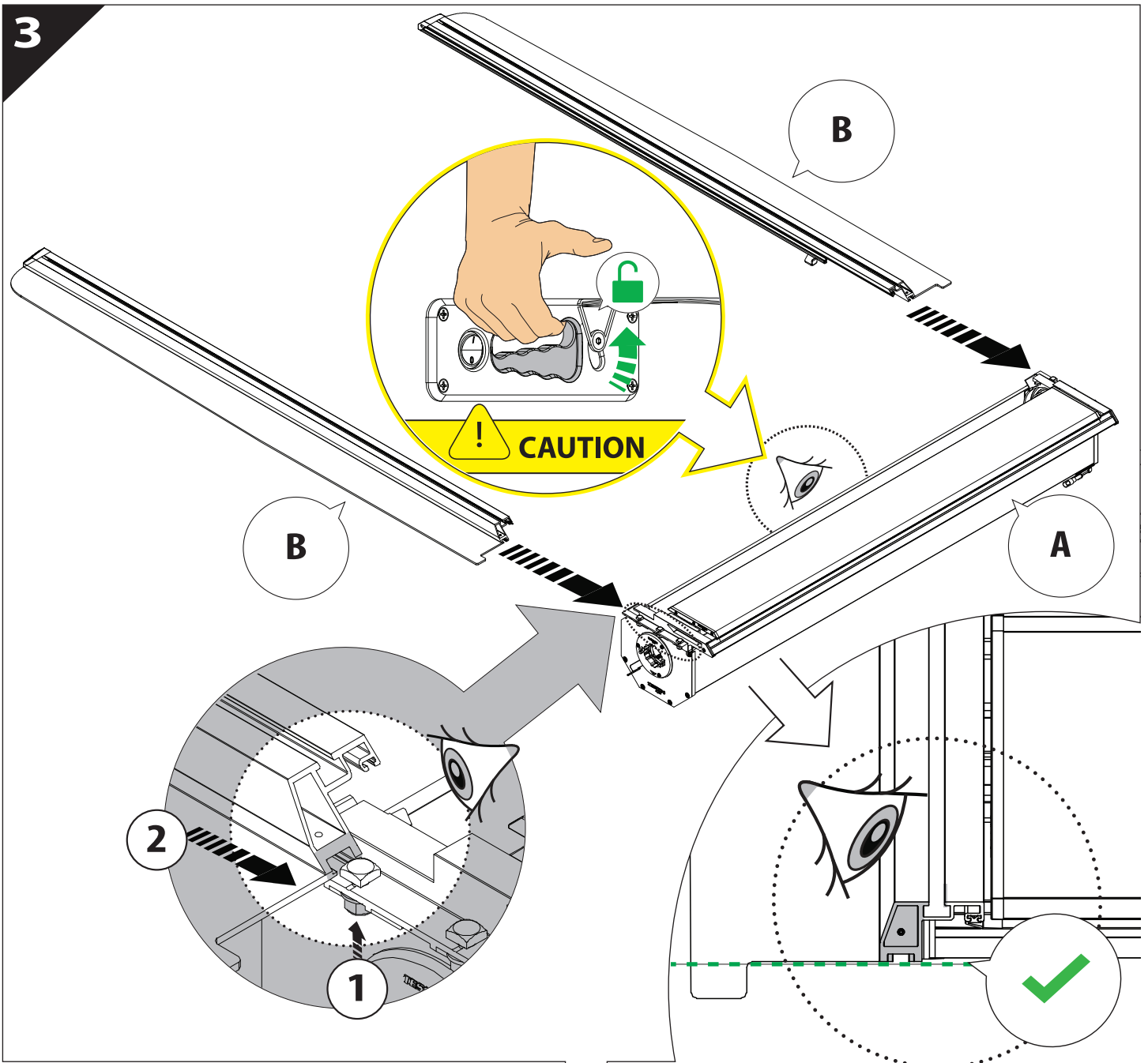
**KITS**

**L**

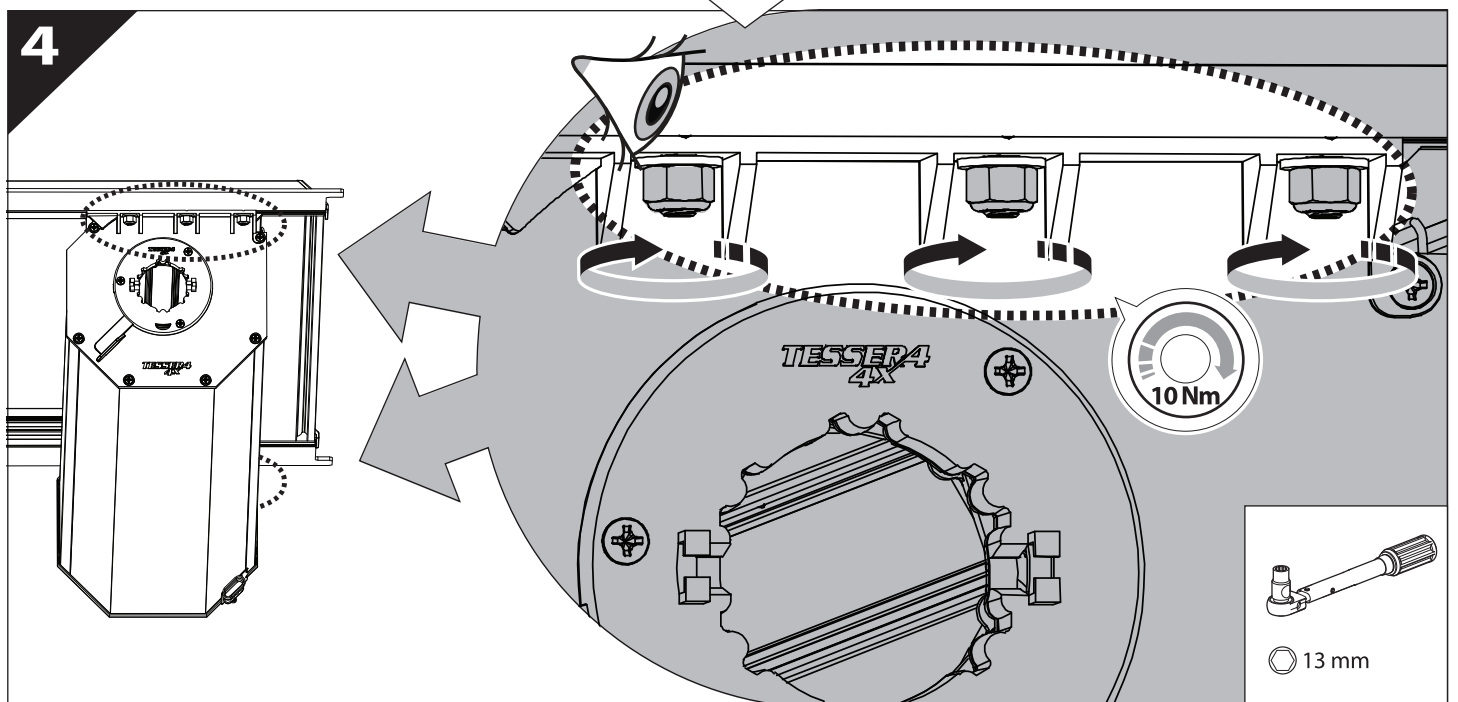


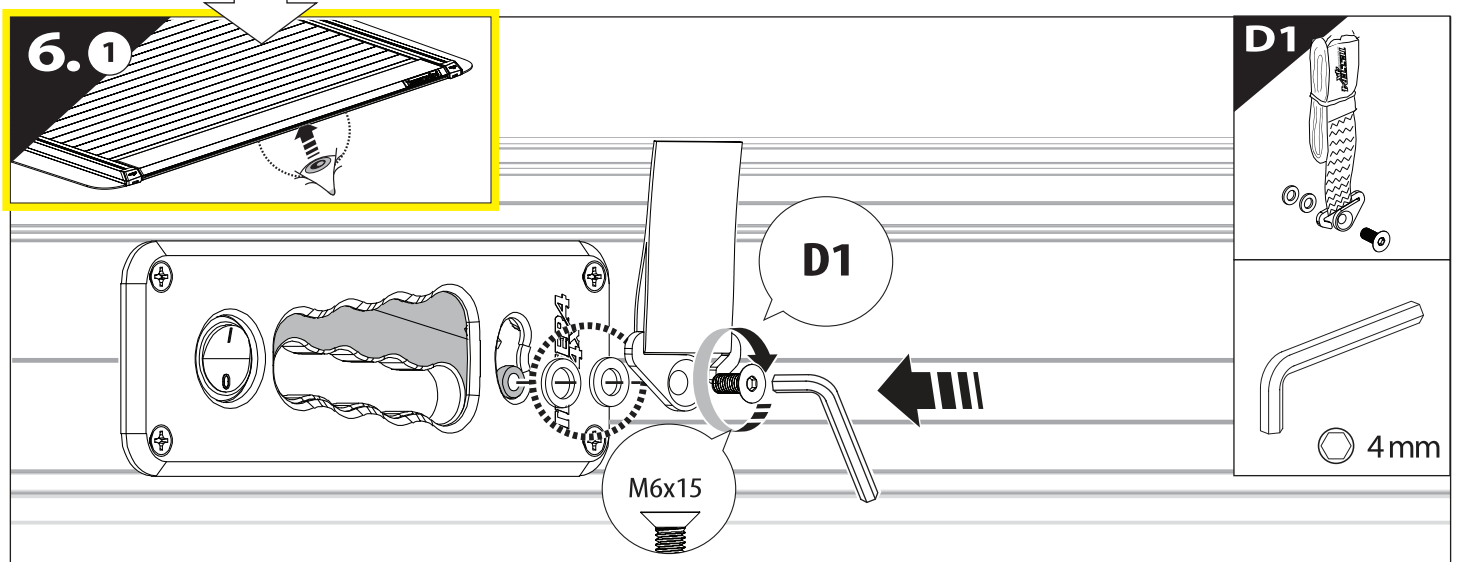
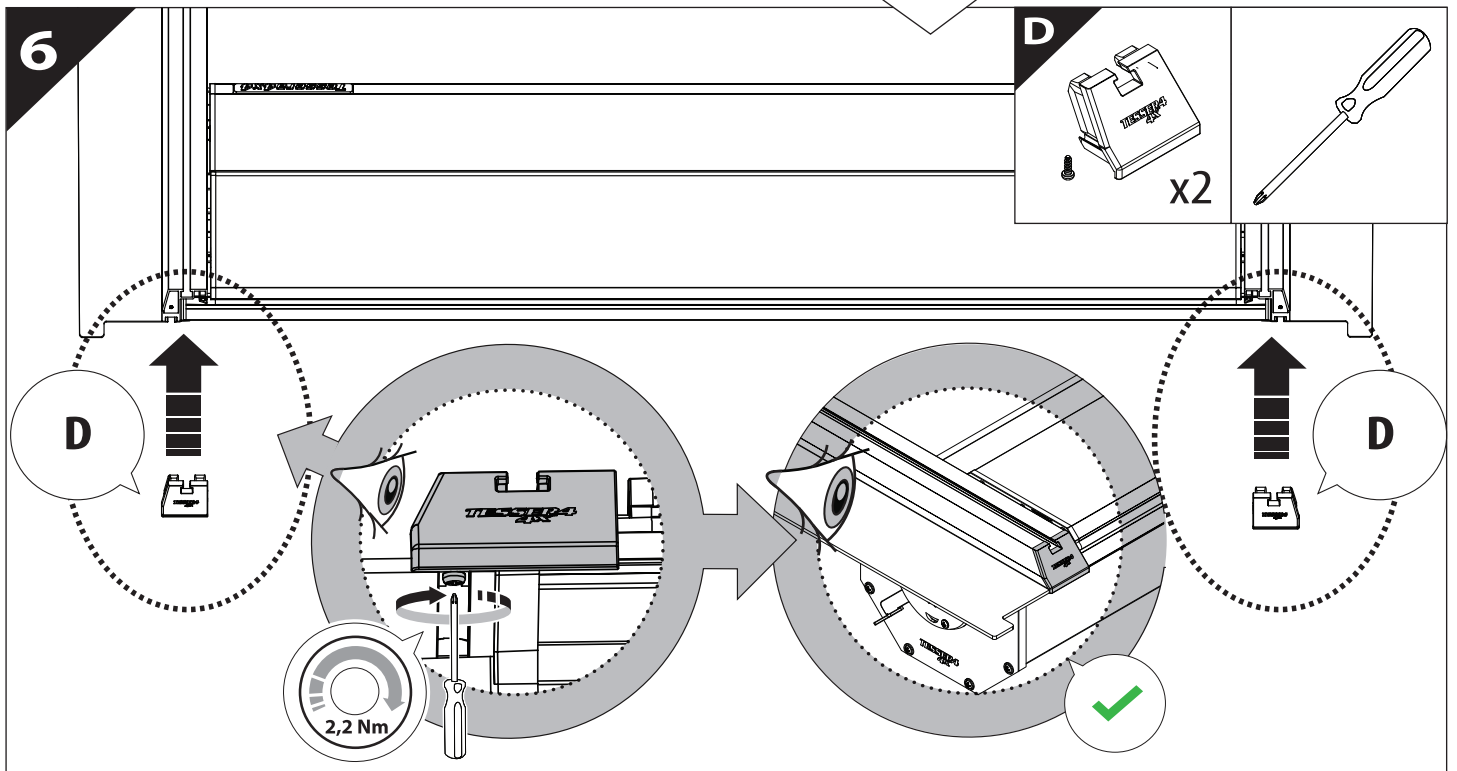
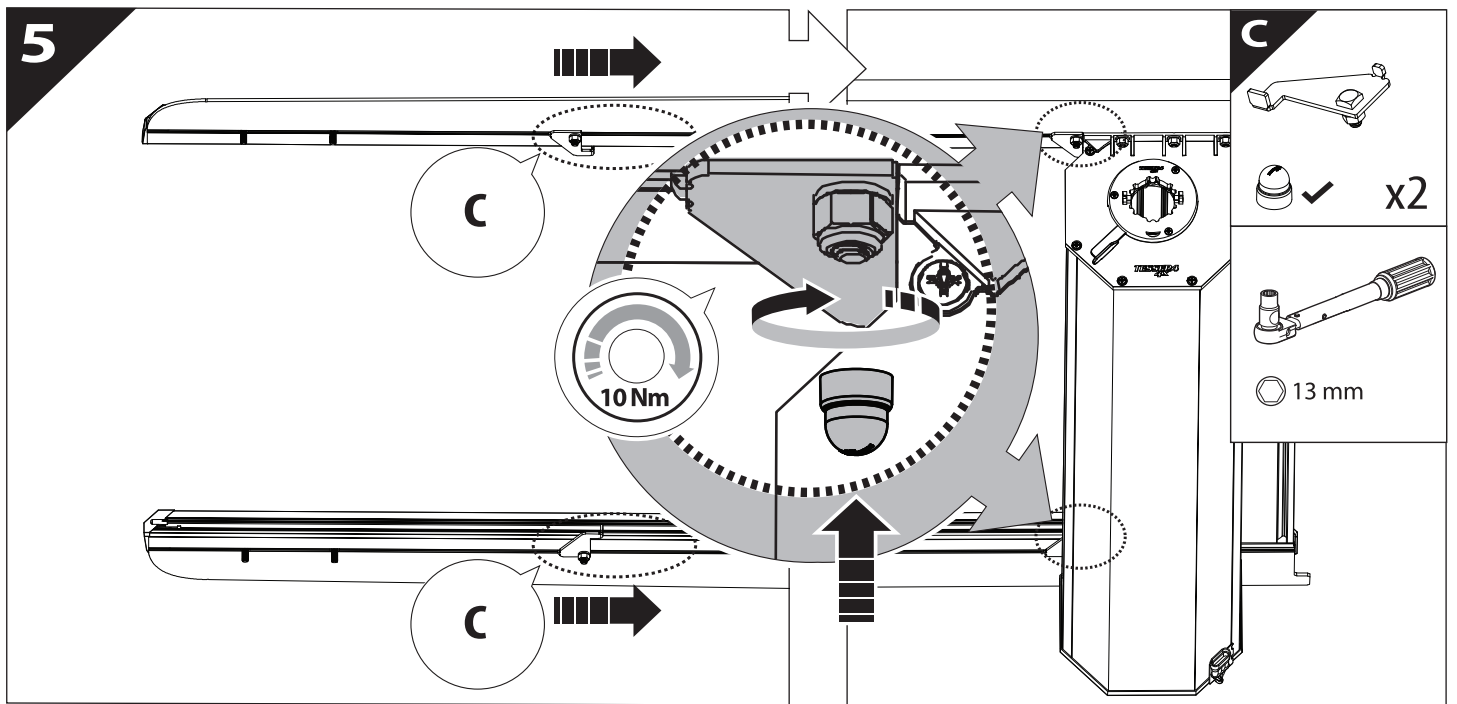


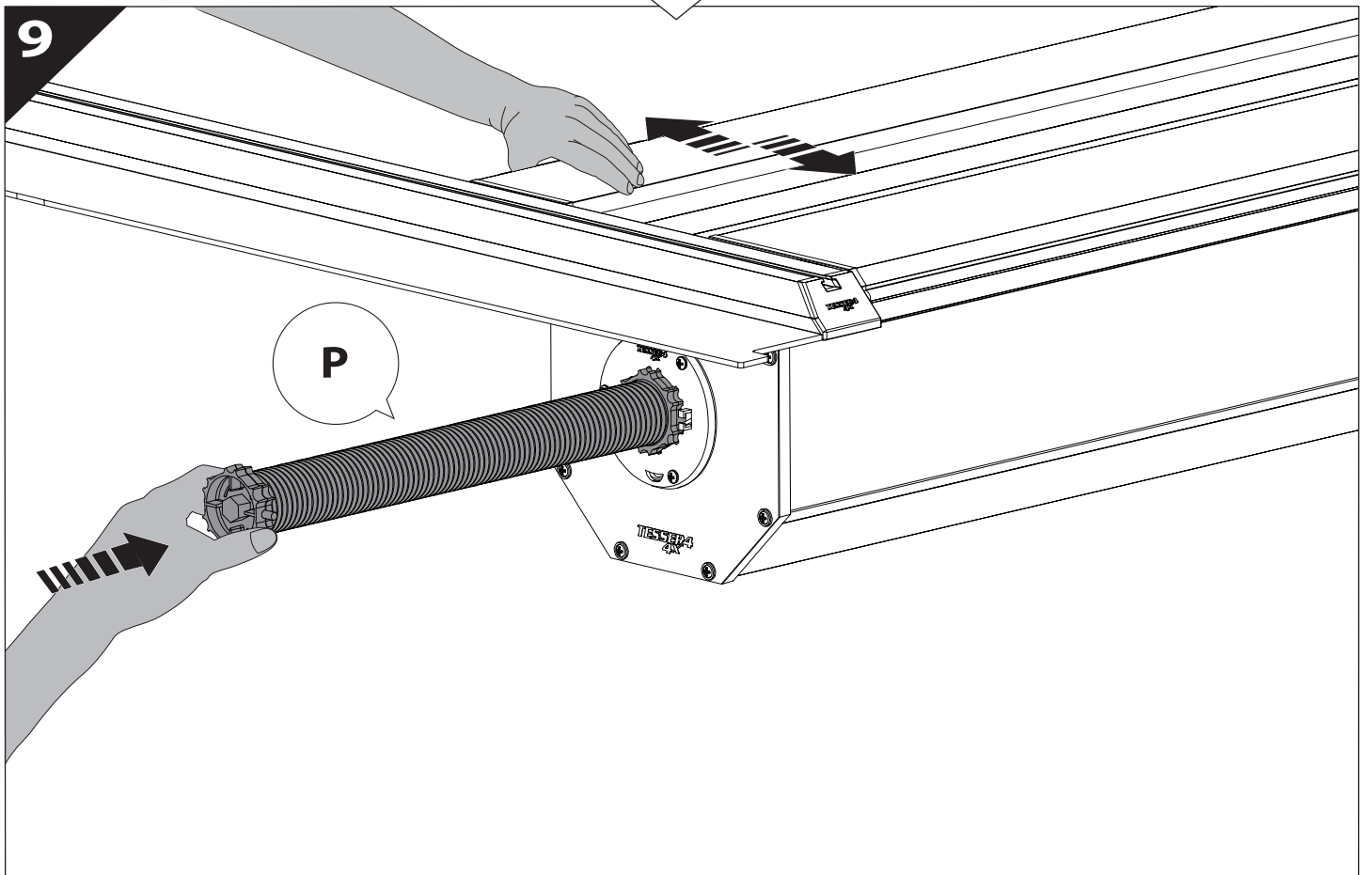
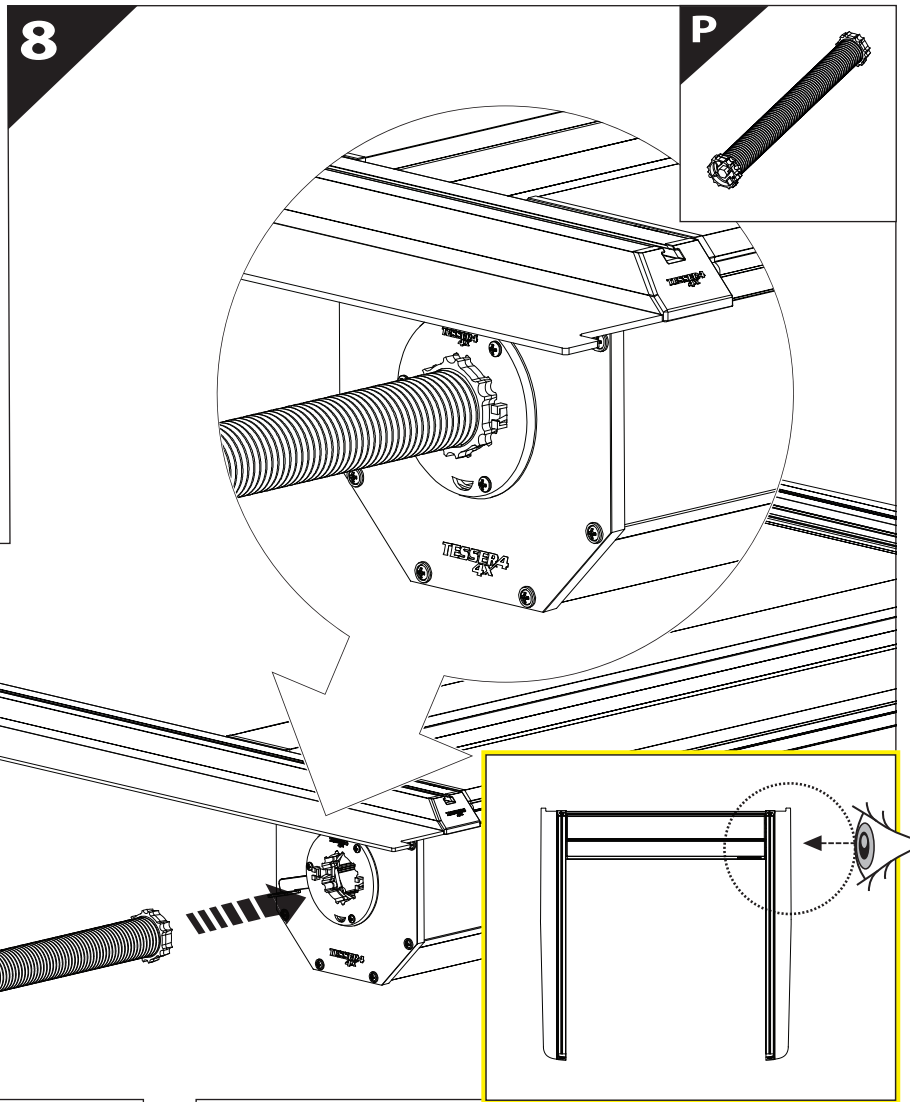
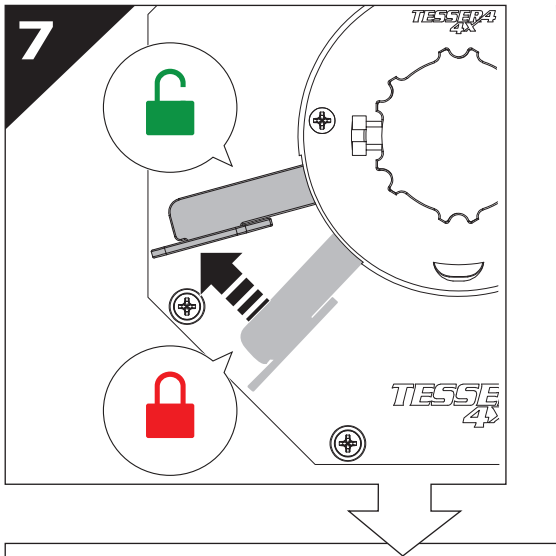
3



4

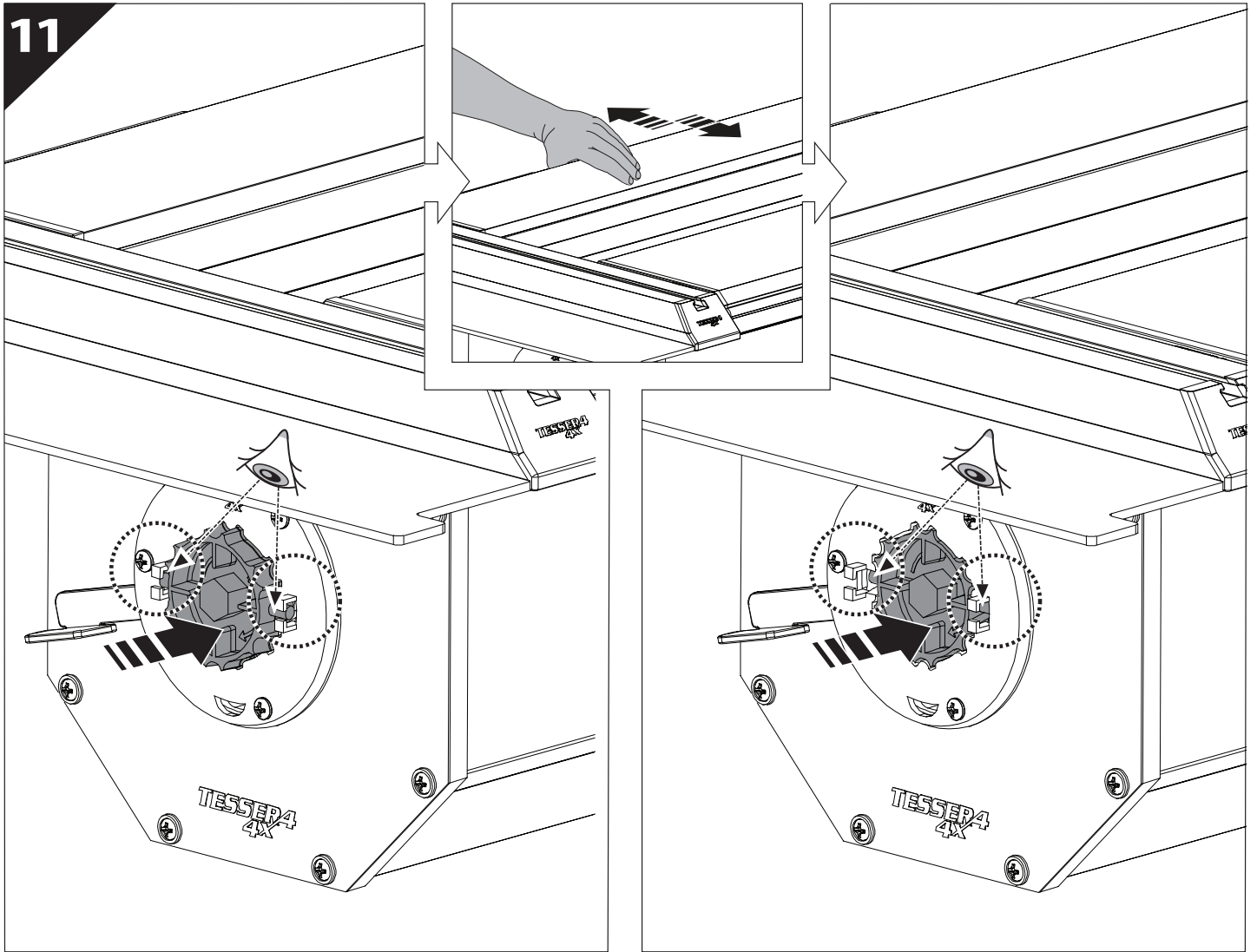




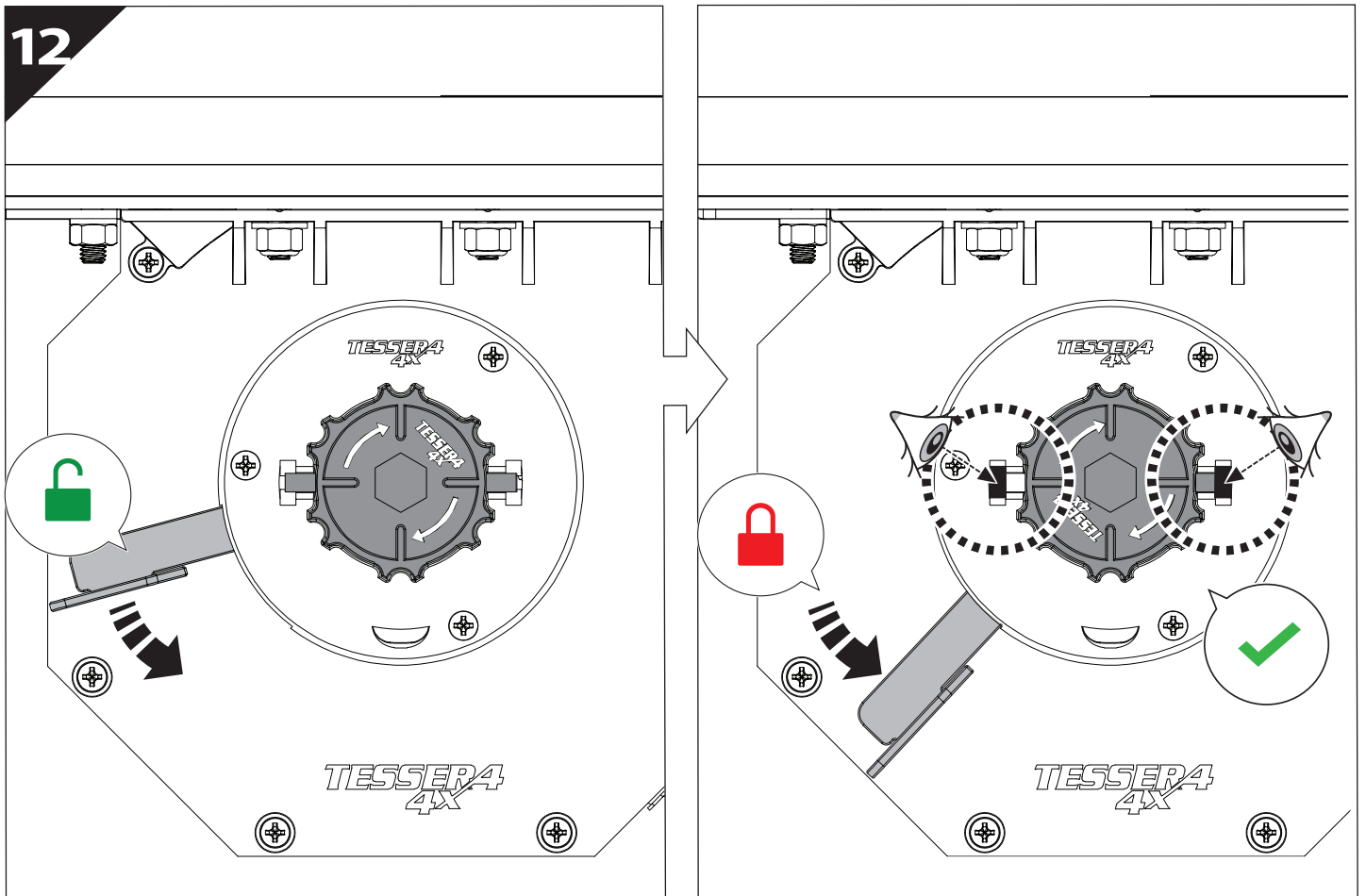




11

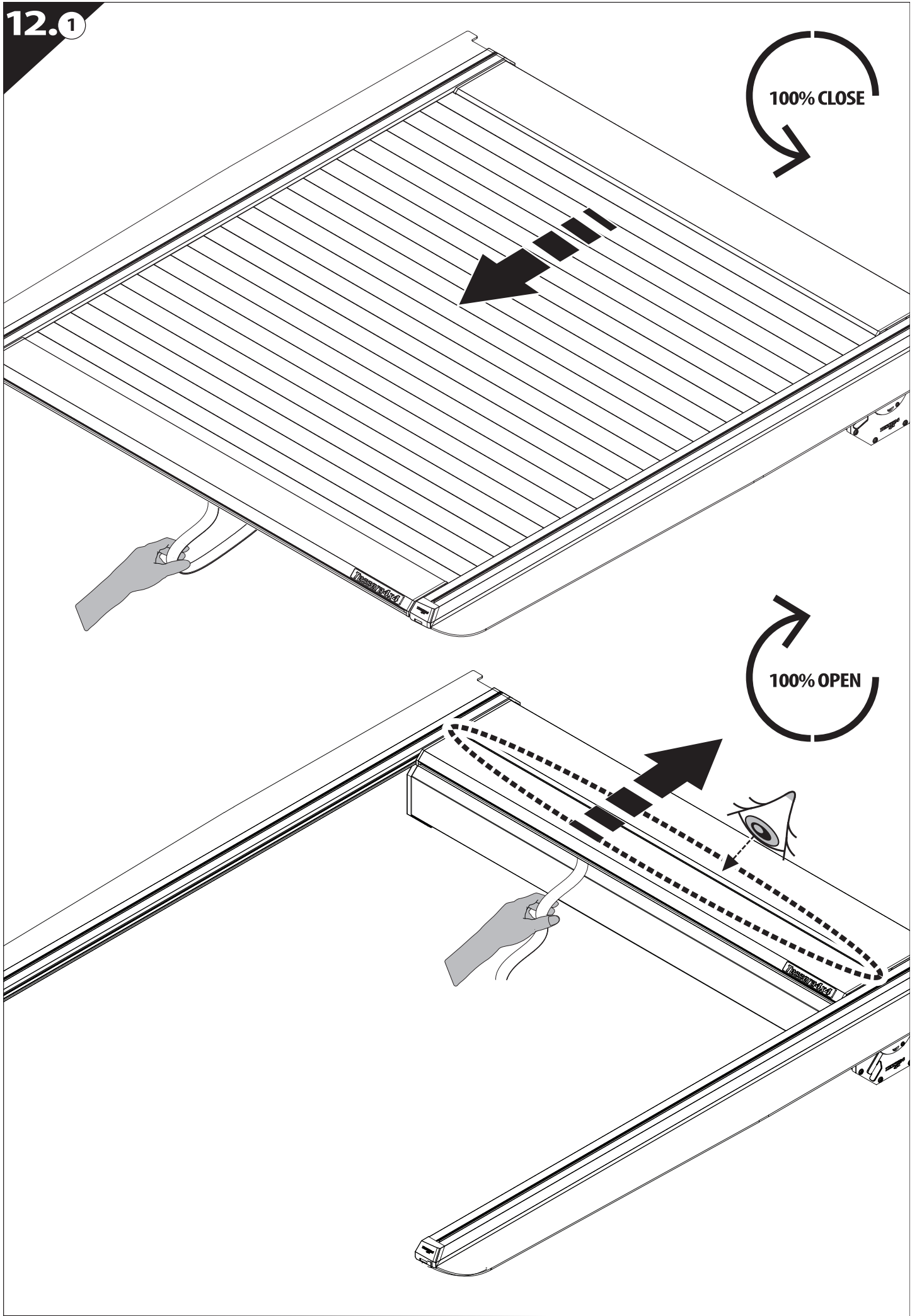


12



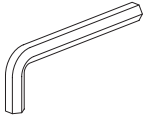


12.0

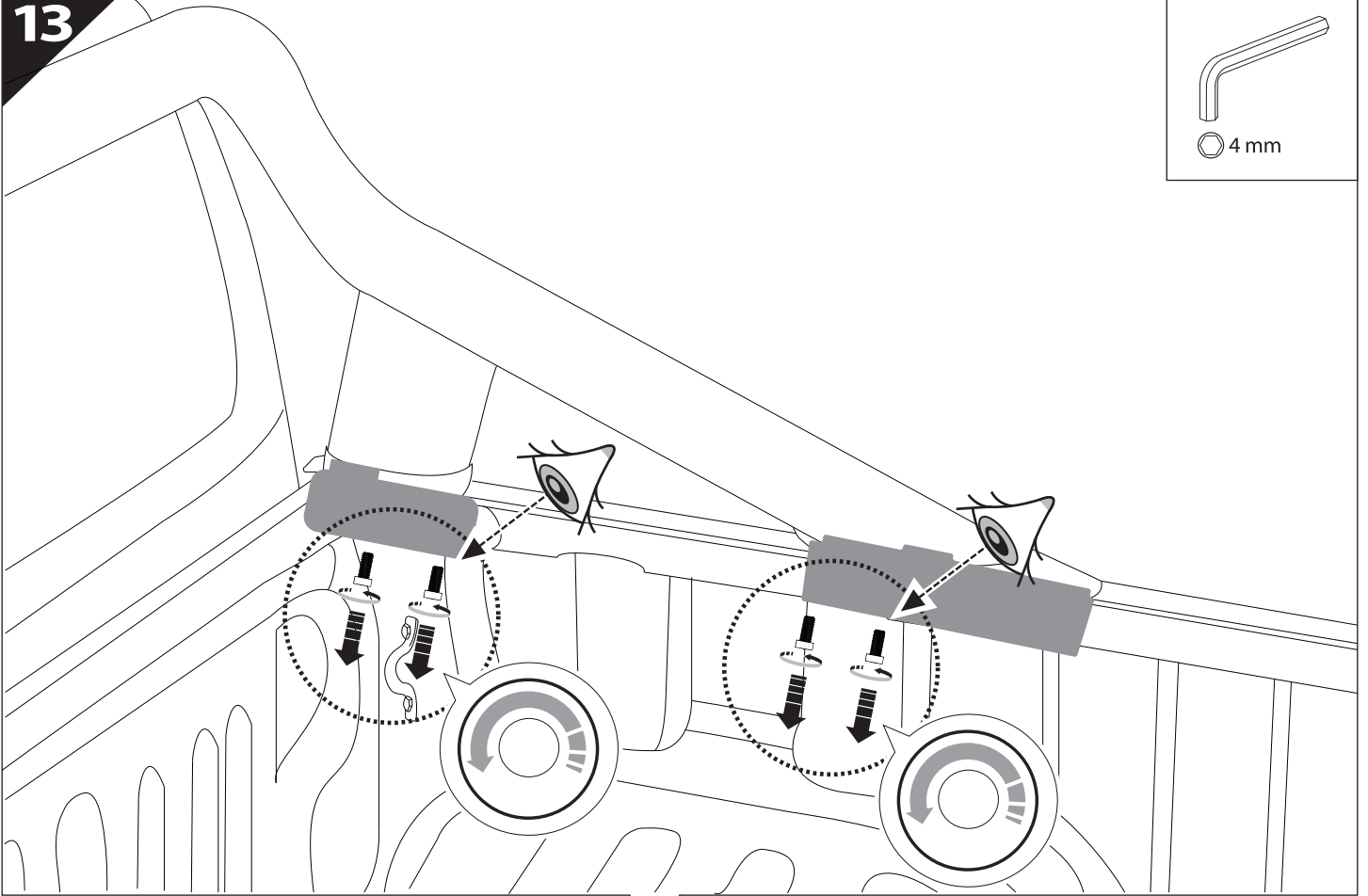




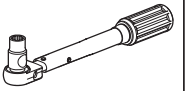
13



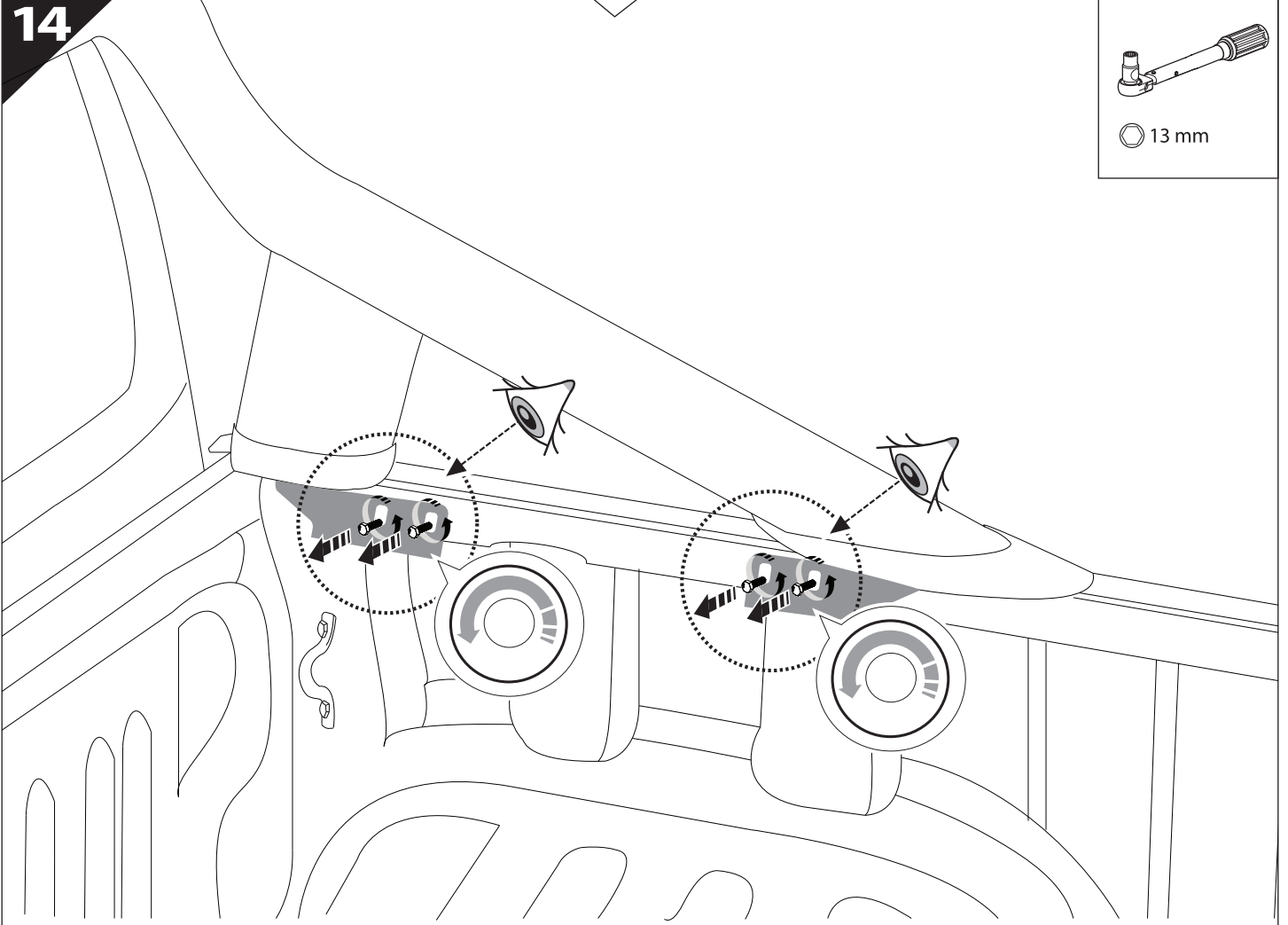
4 mm



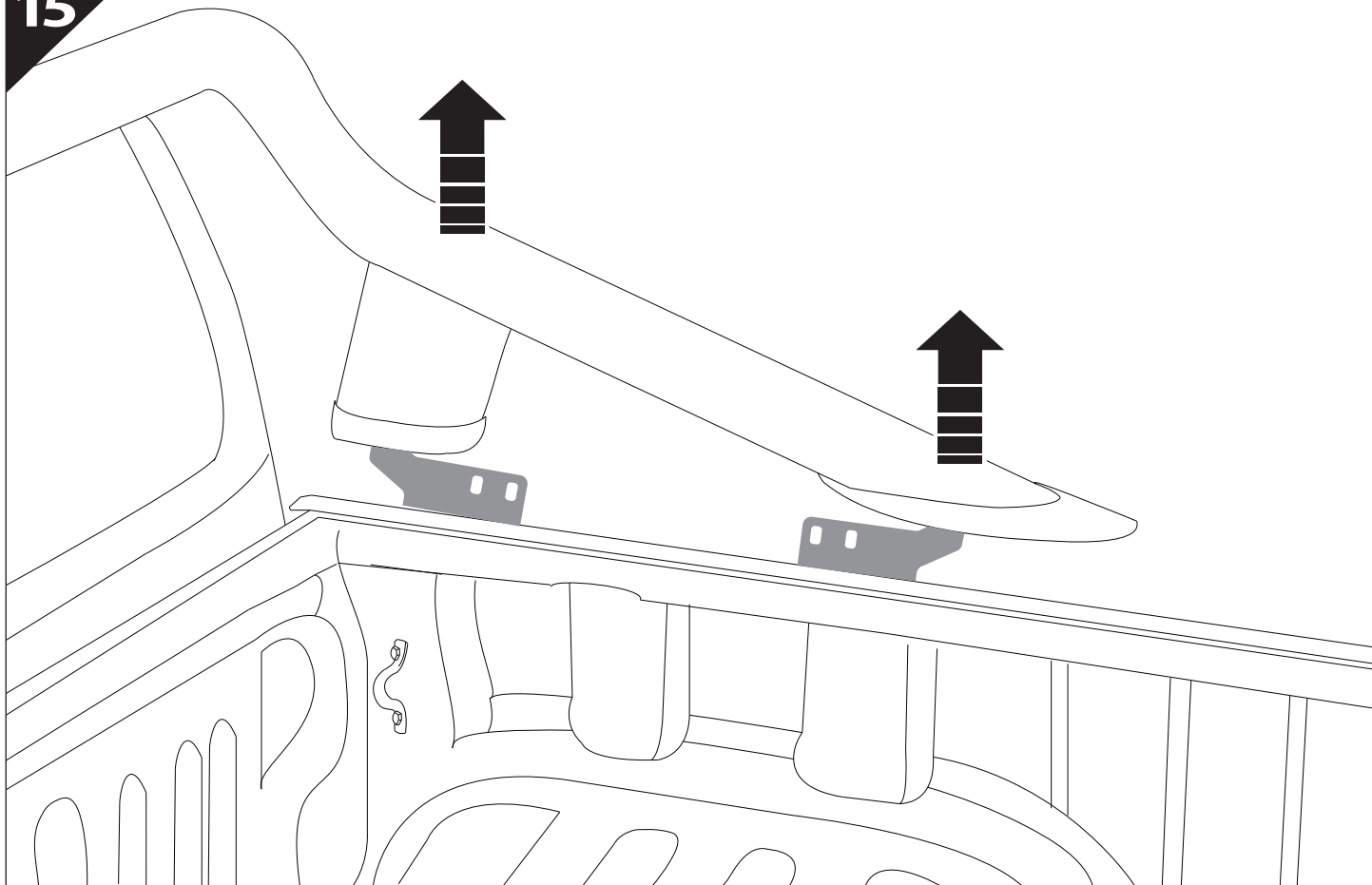
14



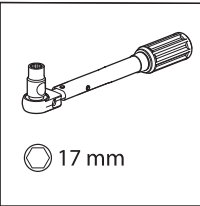
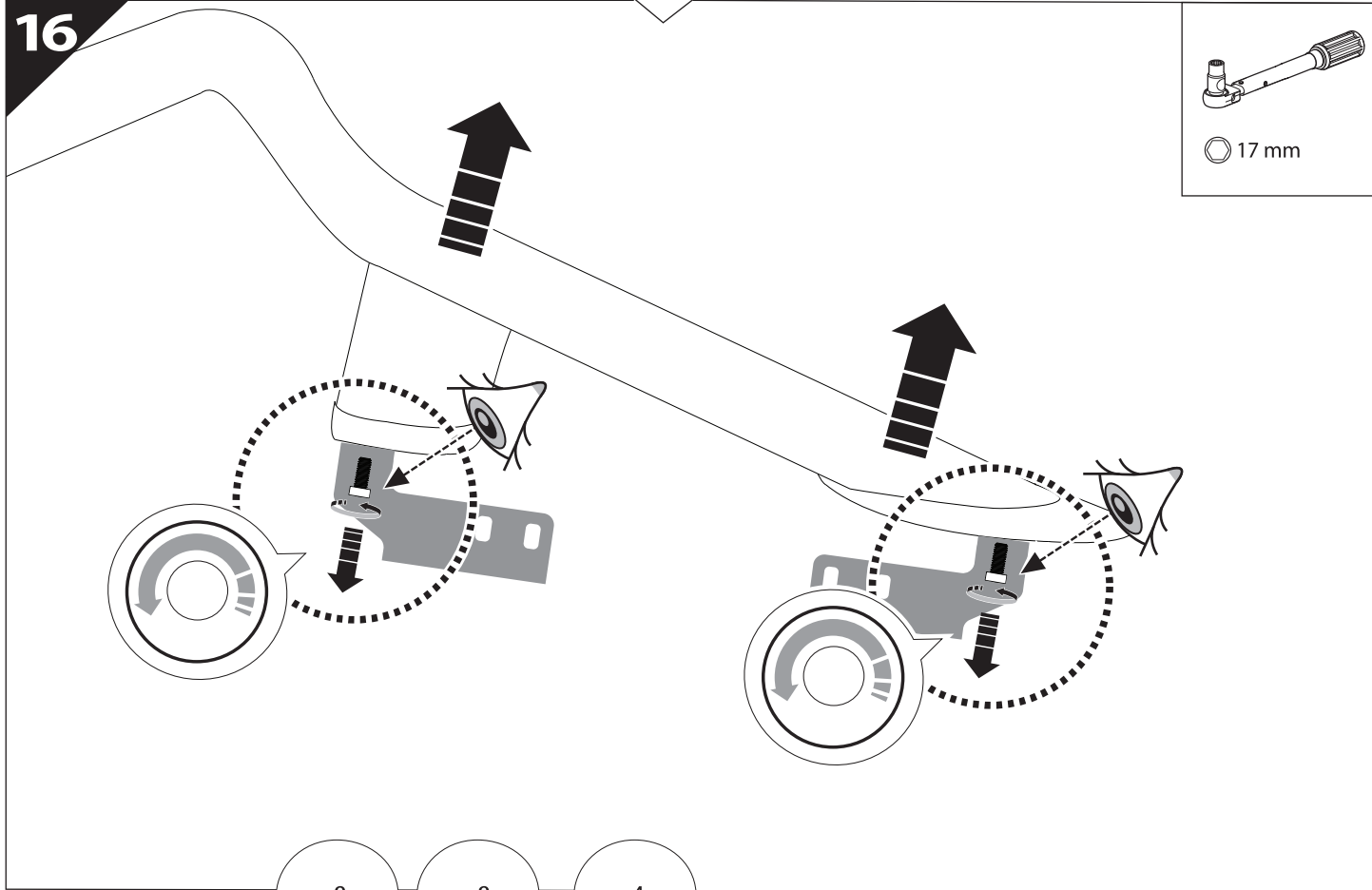
13 mm



15



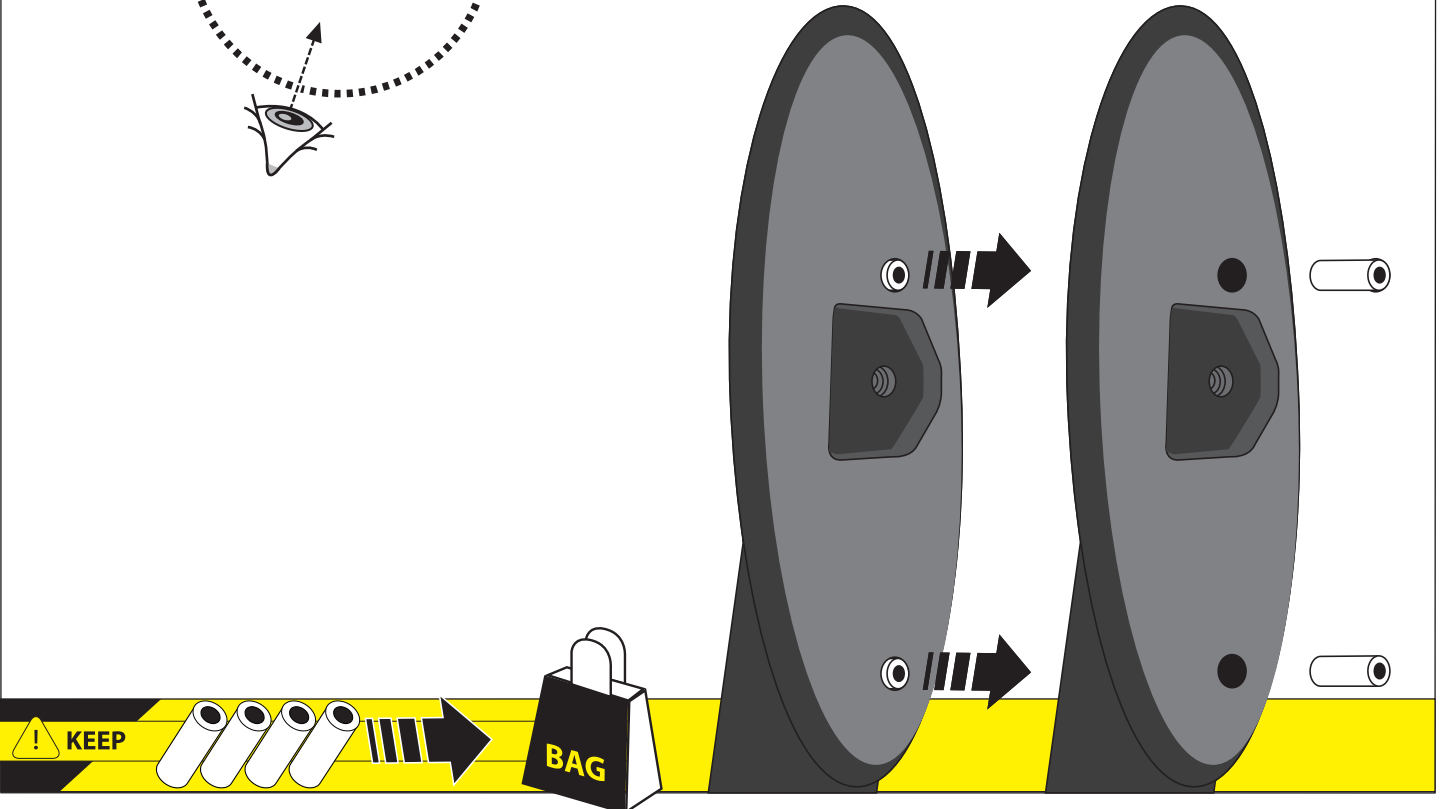
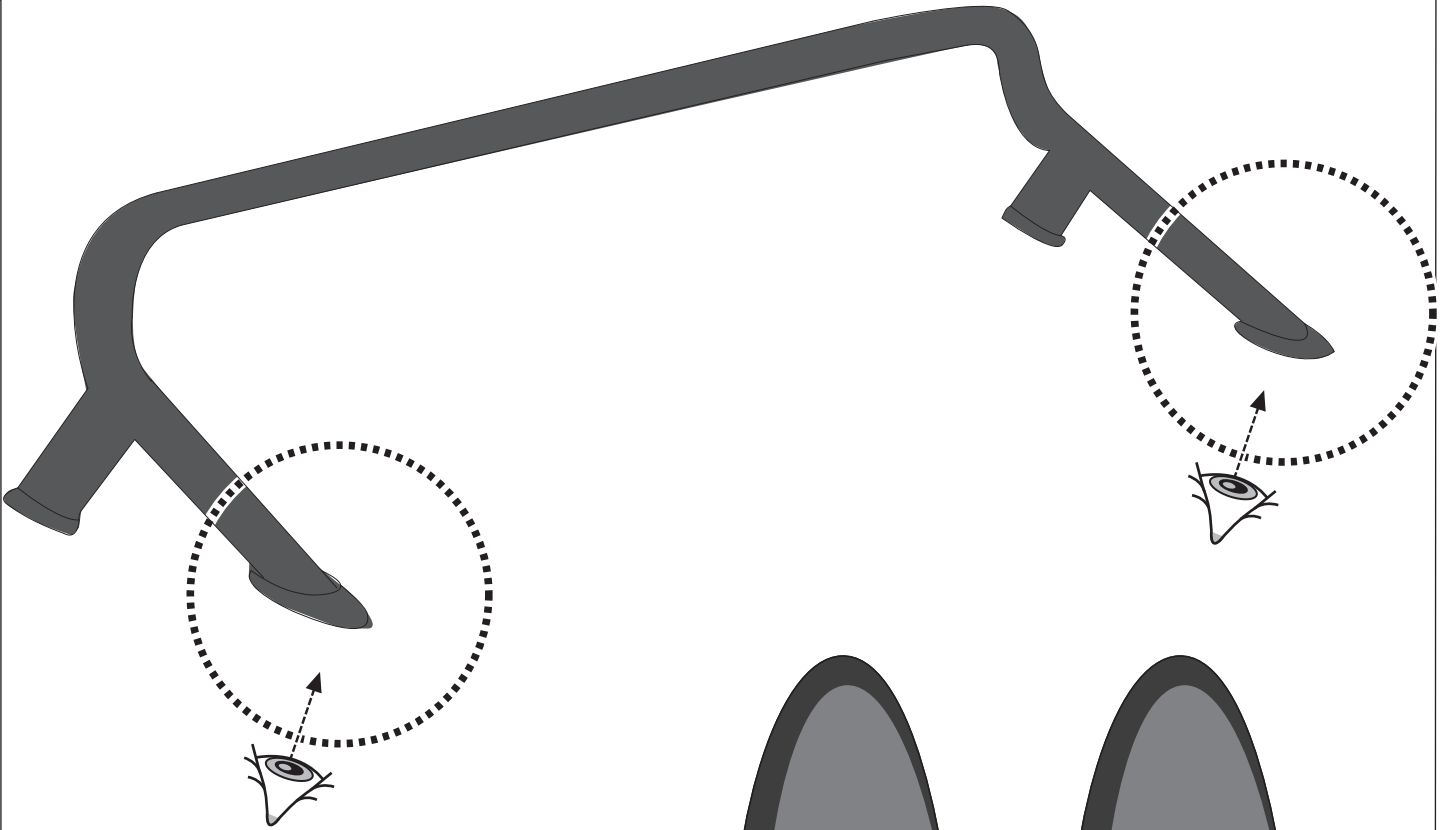
16



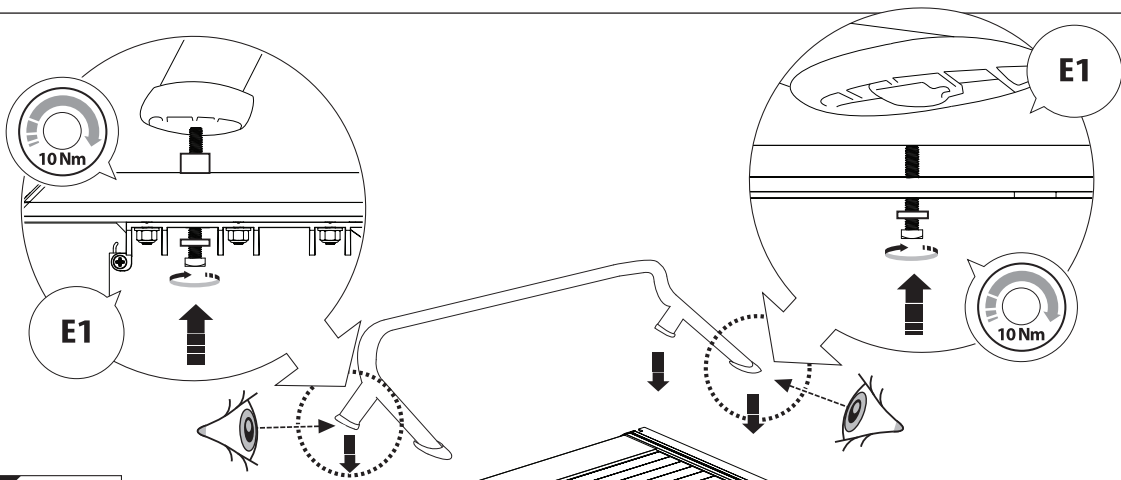
- x8
- x8
- x4



16.0

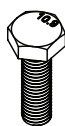


17

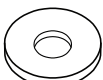


E1

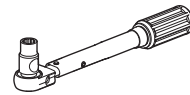
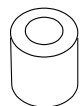
4x  
M10x40



4x  
Ø10



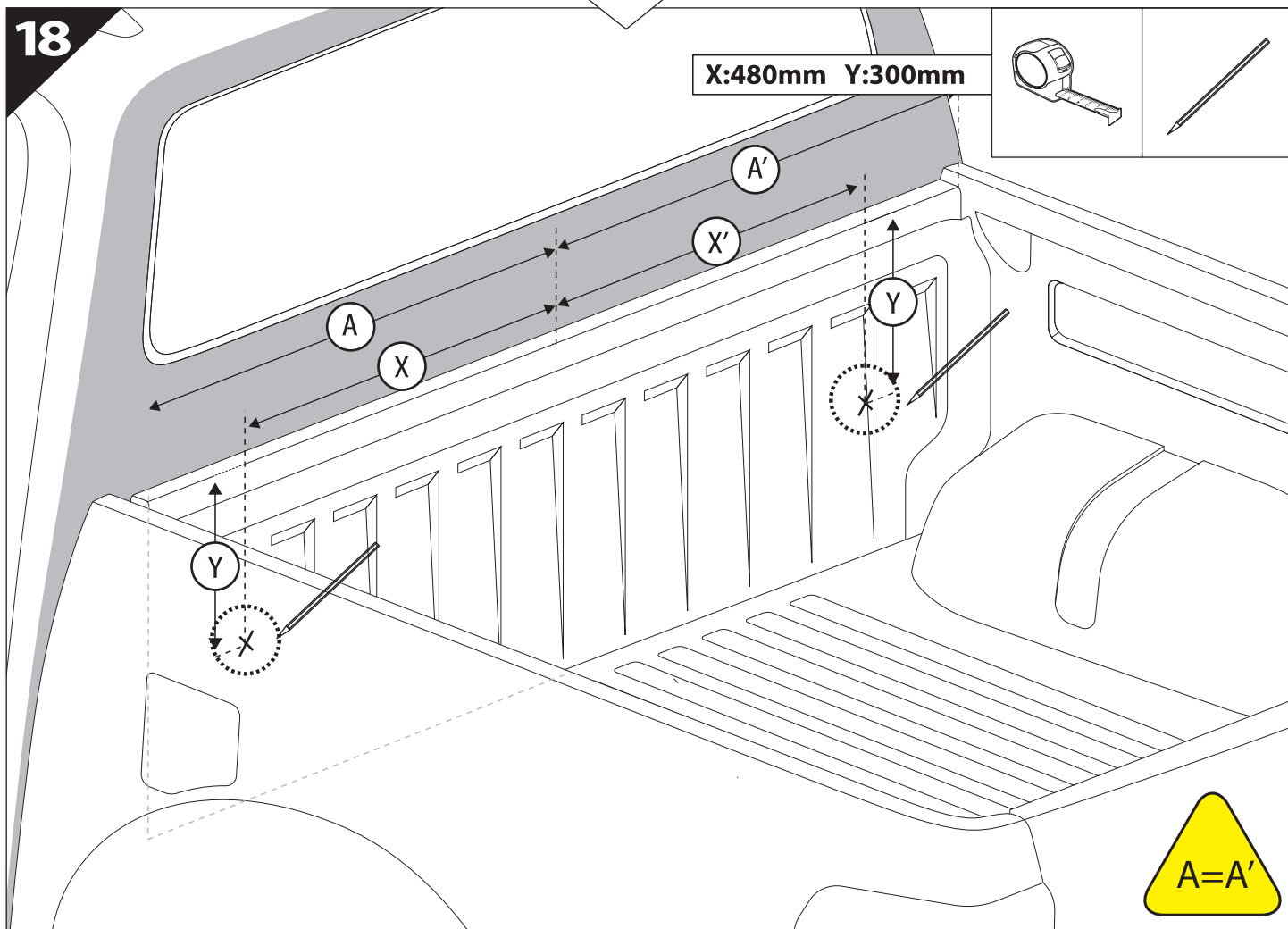
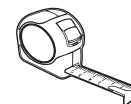
2x  
18mm



17 mm

18

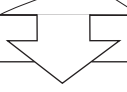
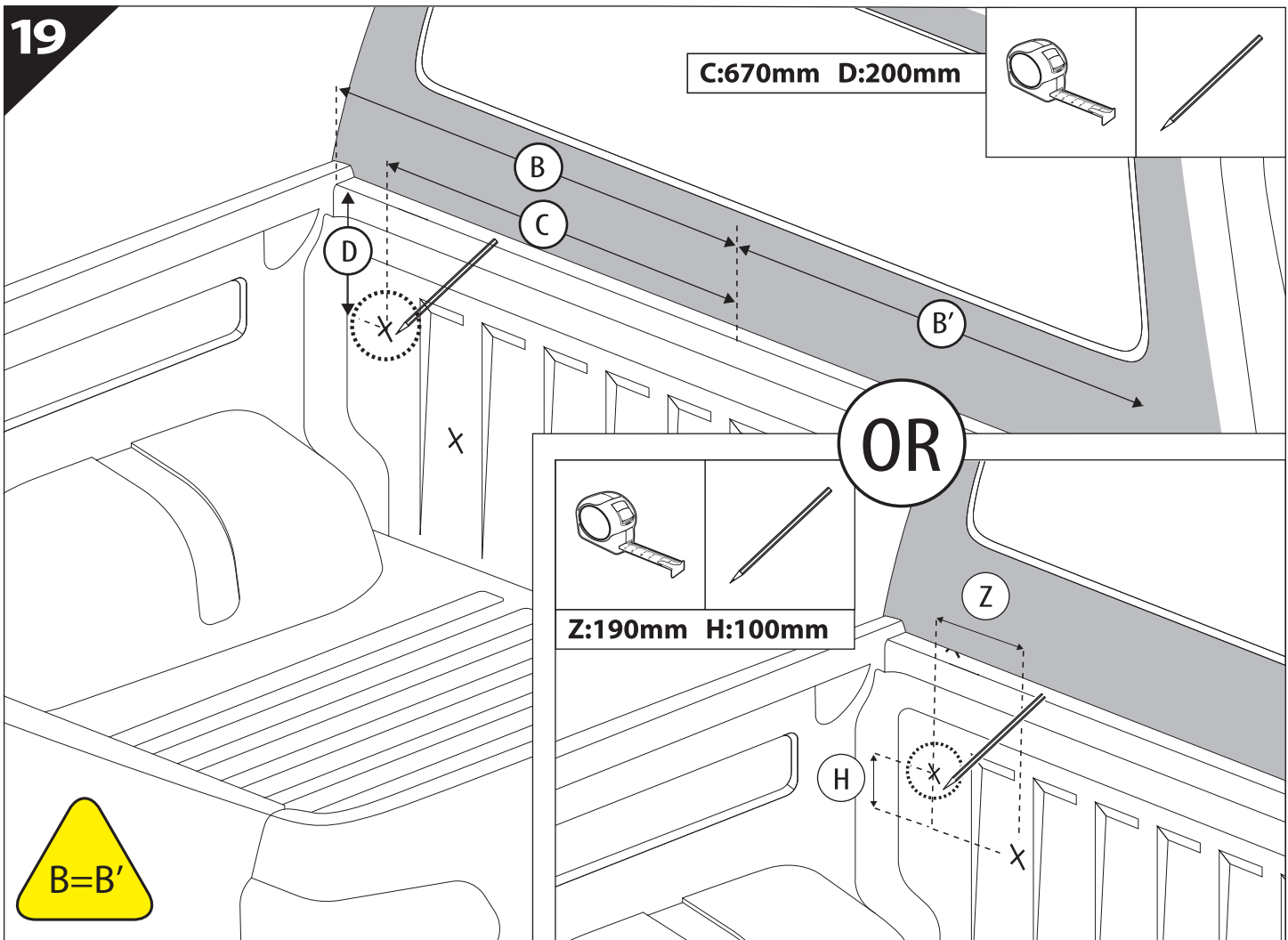
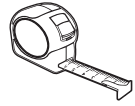
X:480mm Y:300mm



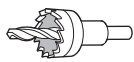
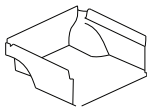
A=A'

19

C:670mm D:200mm

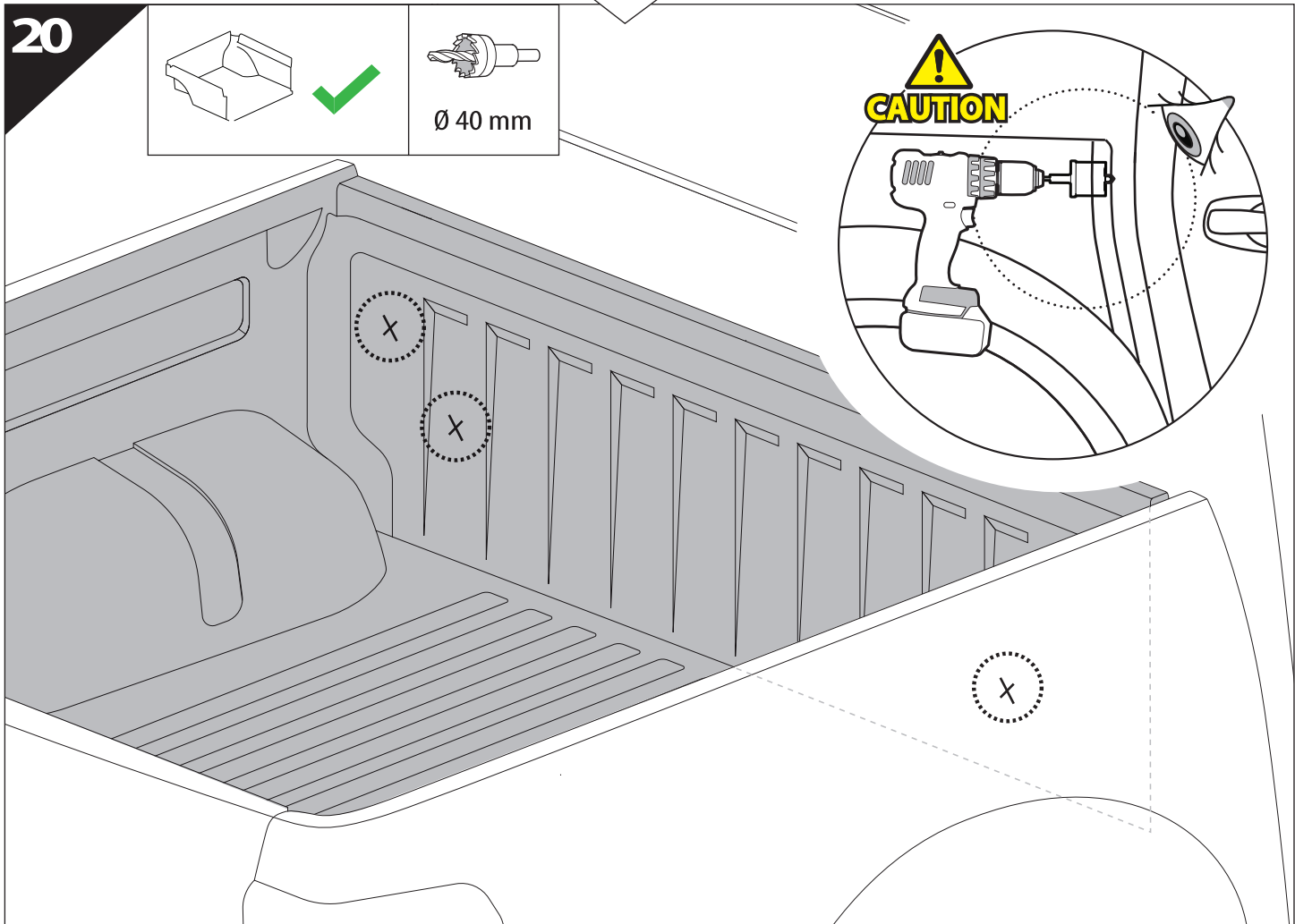
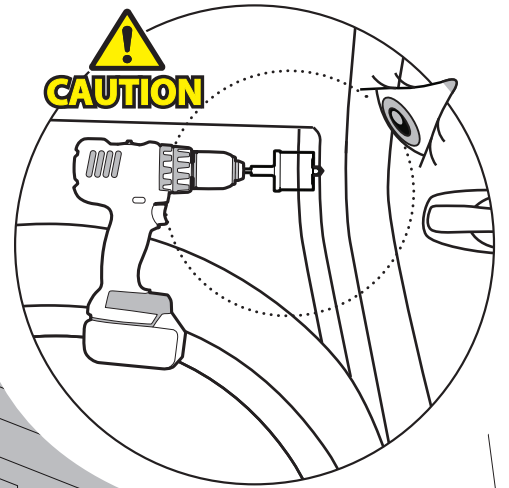


20

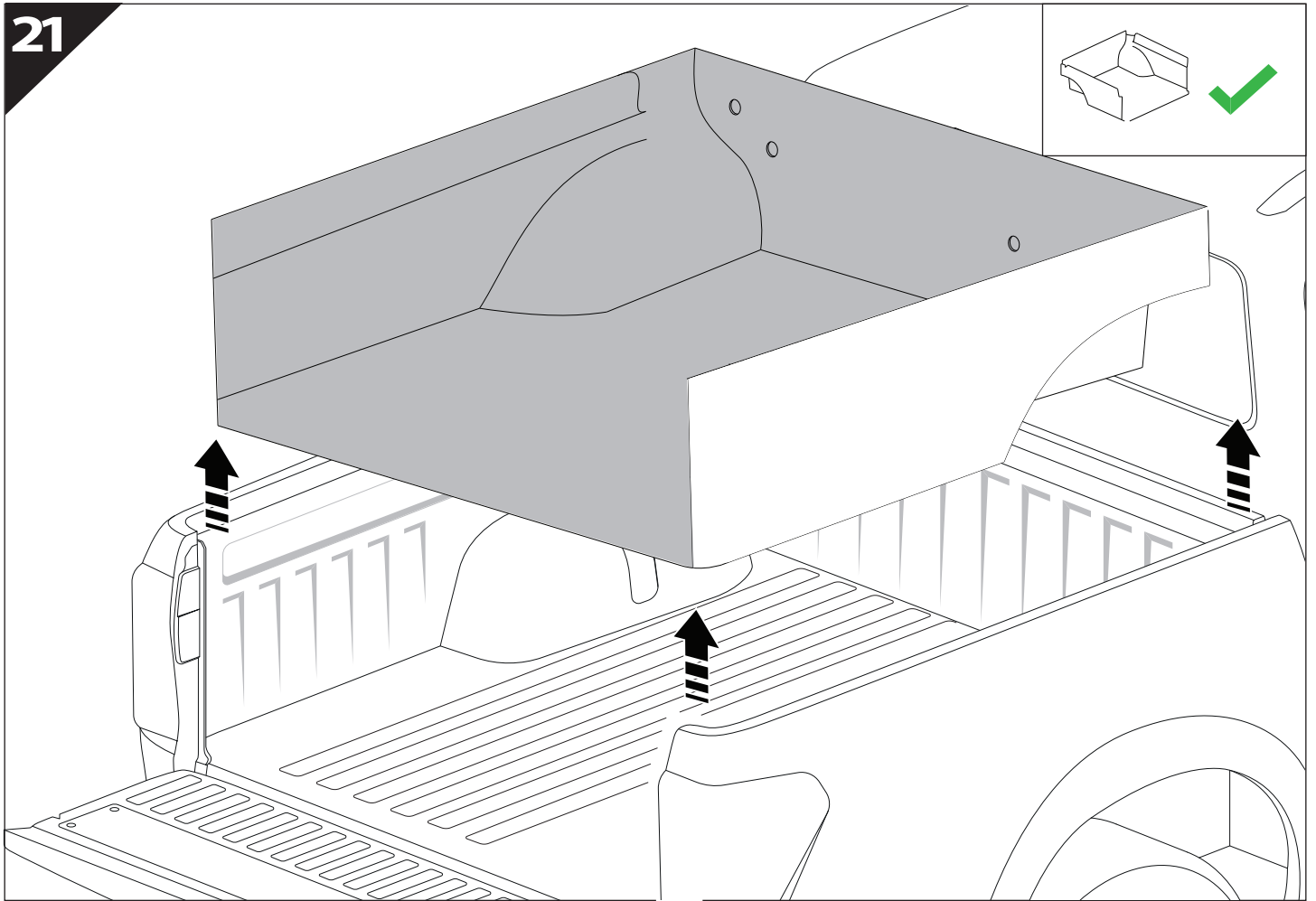


Ø 40 mm

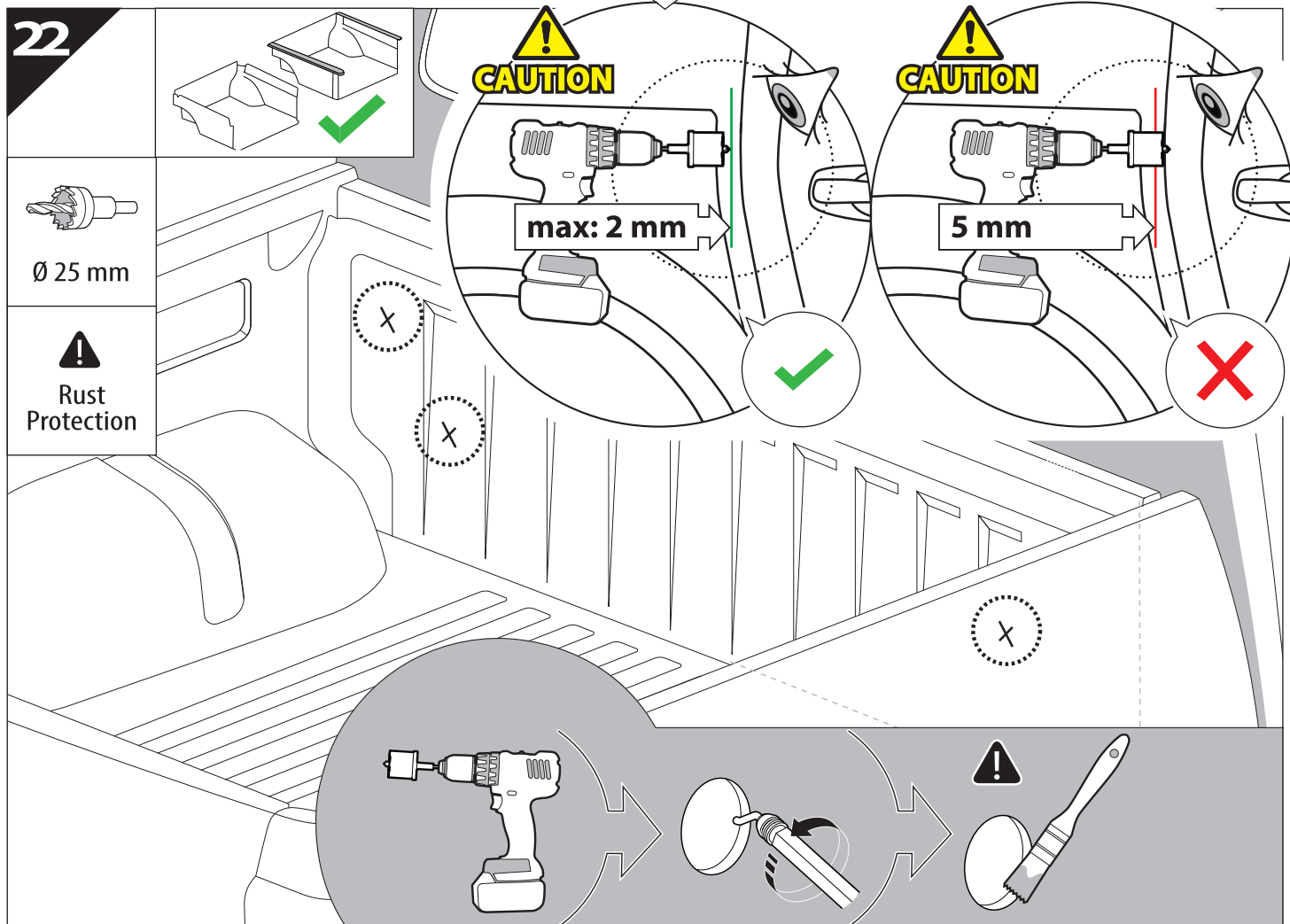
**CAUTION**

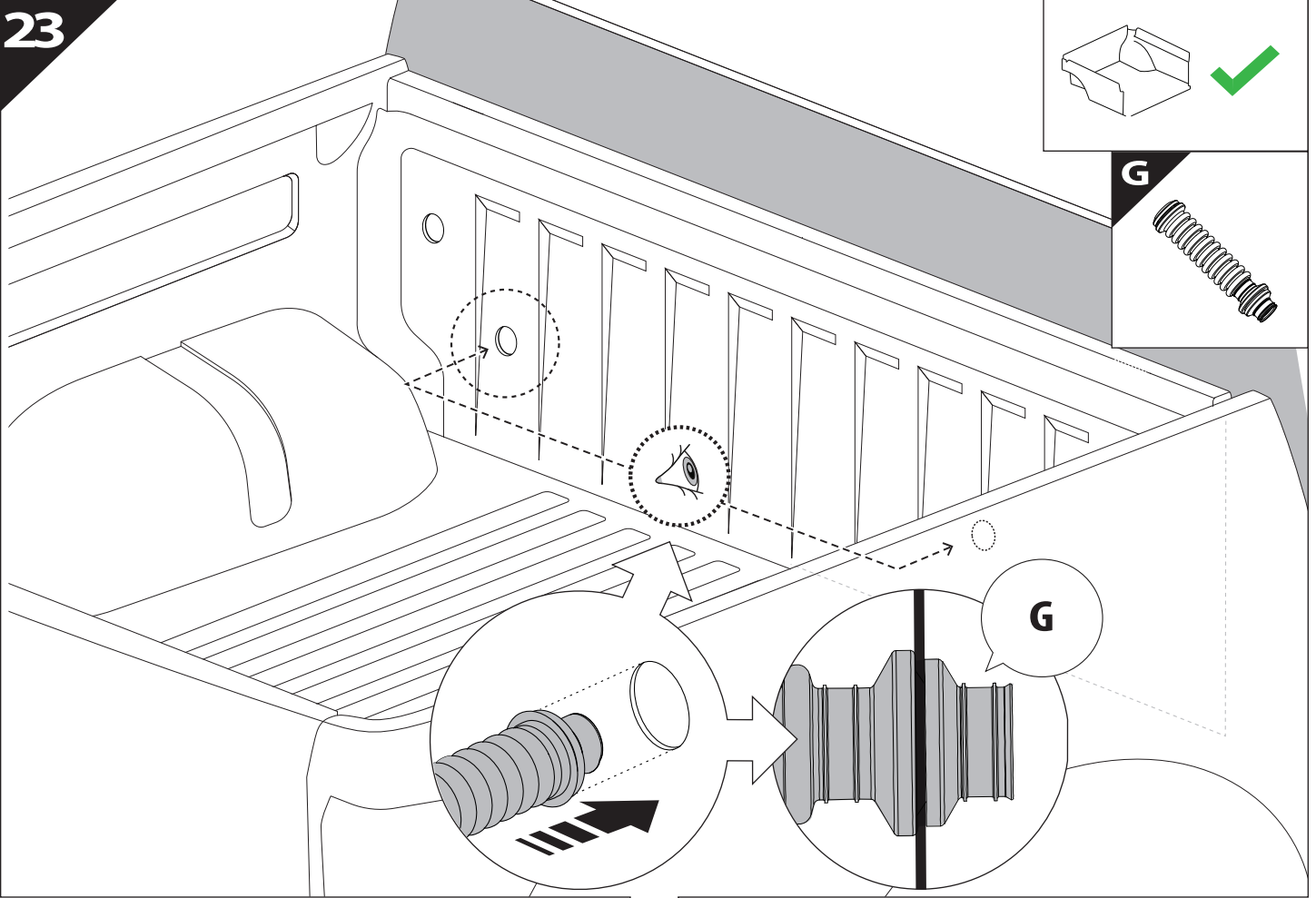


21

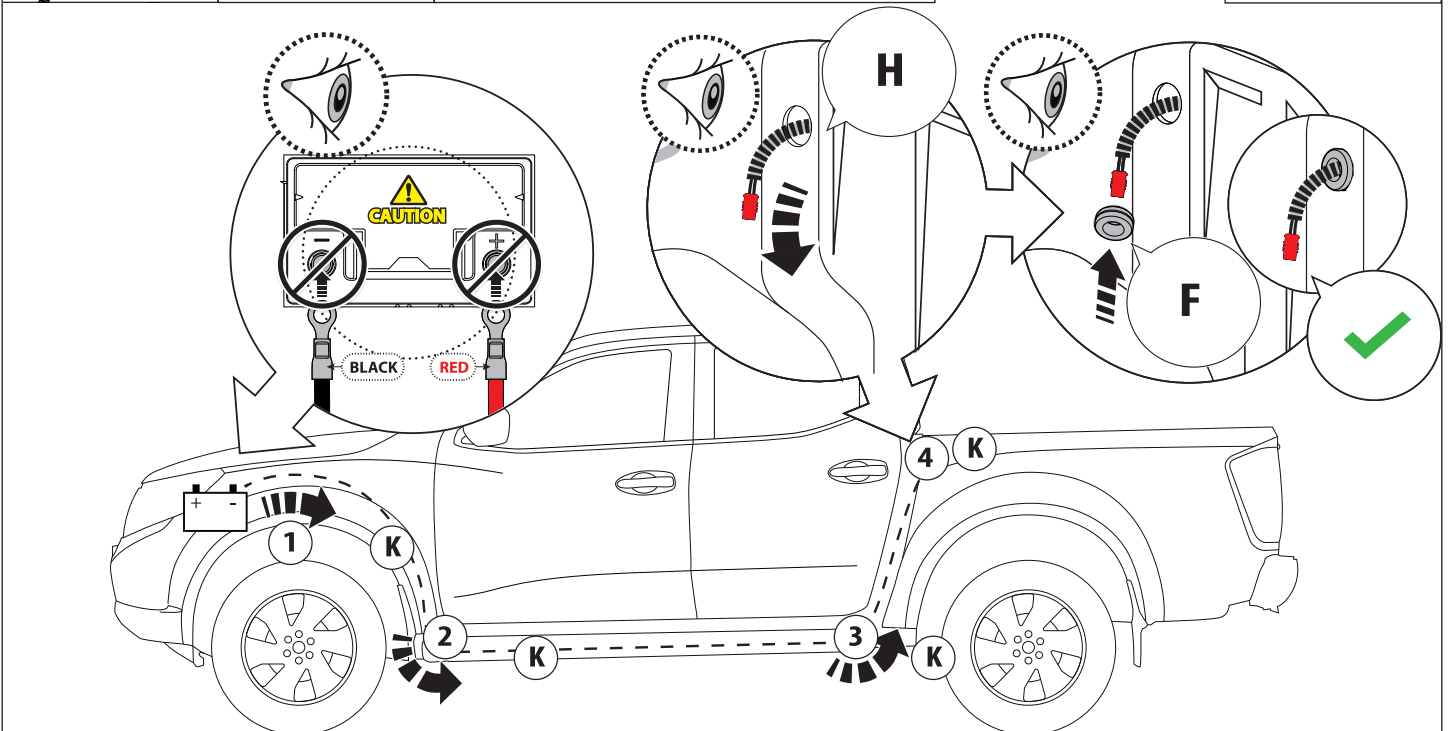
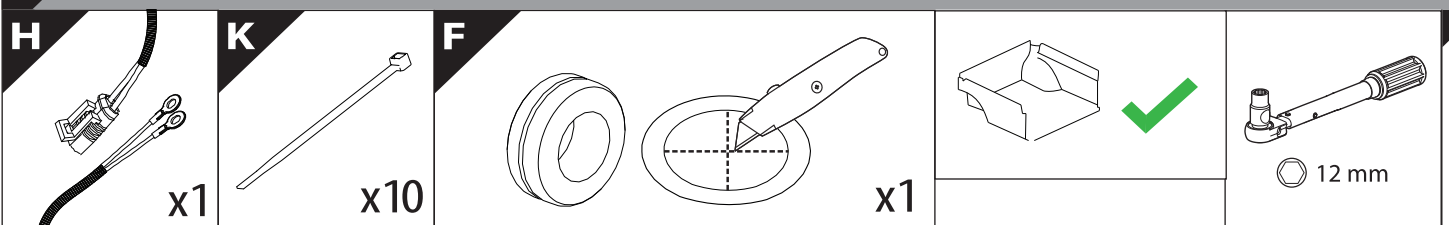


22



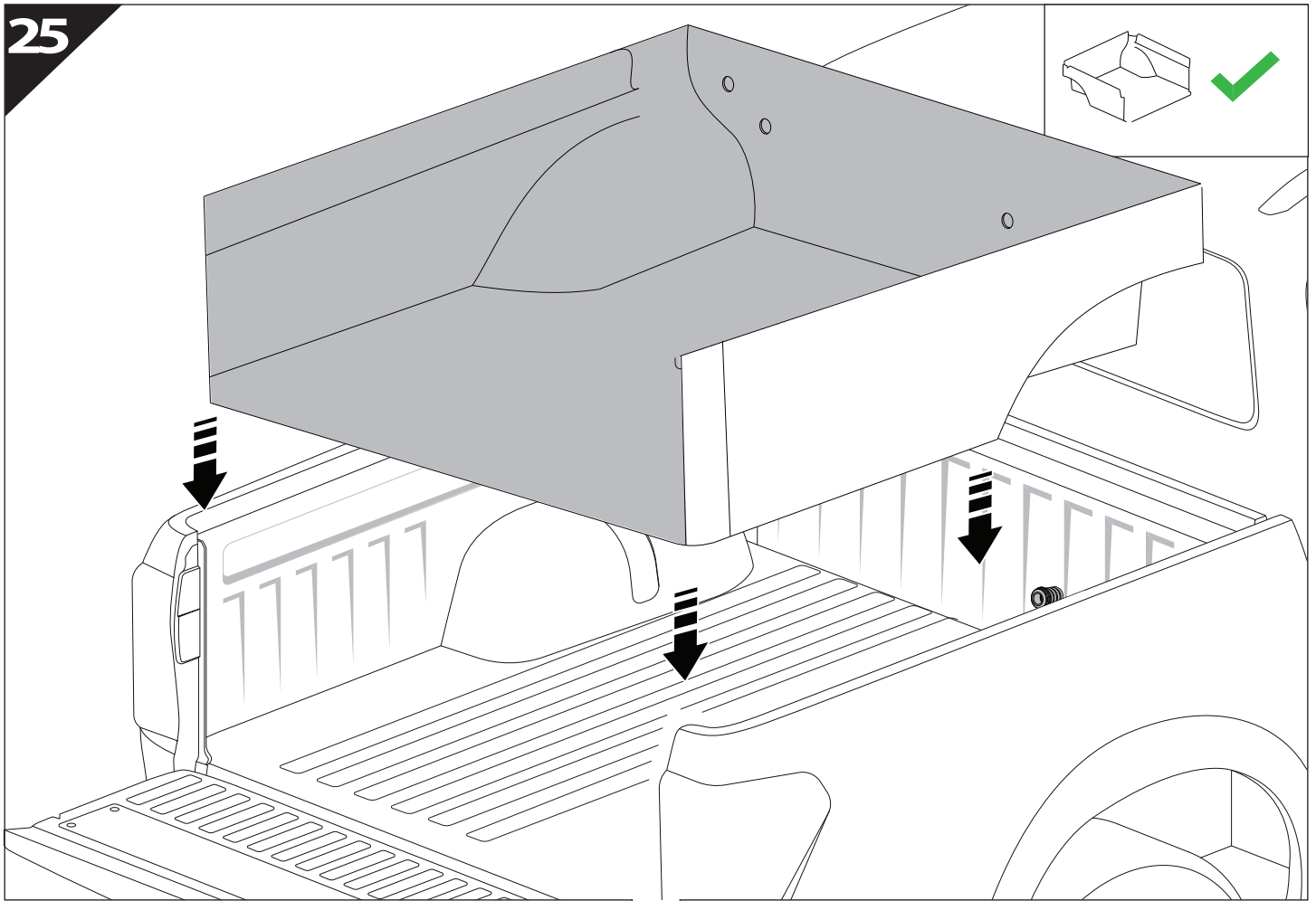


**24** Only to be installed by authorized personnel

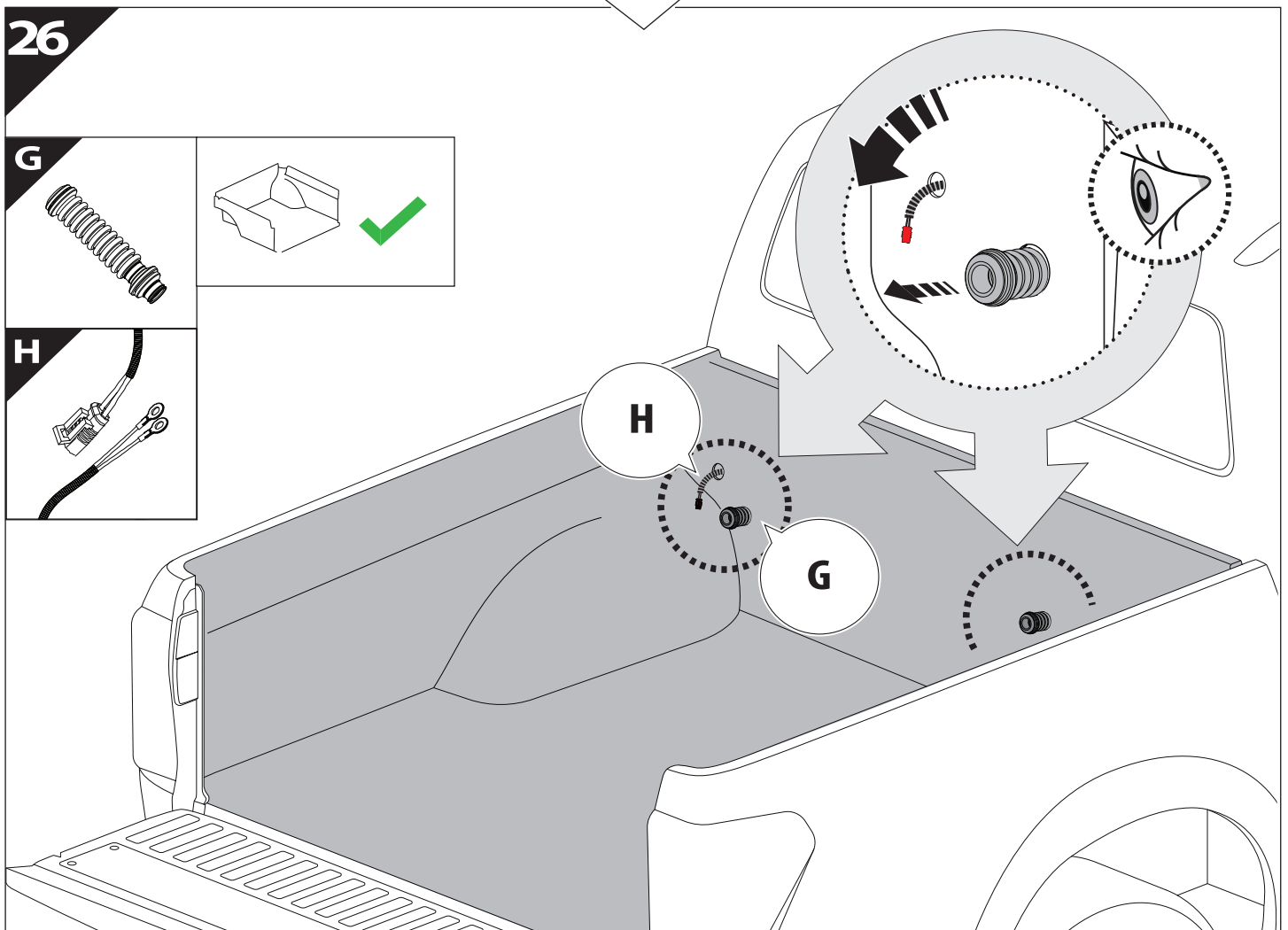




25

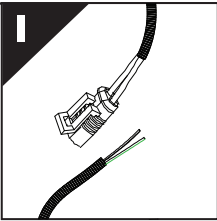


26

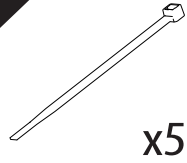


27

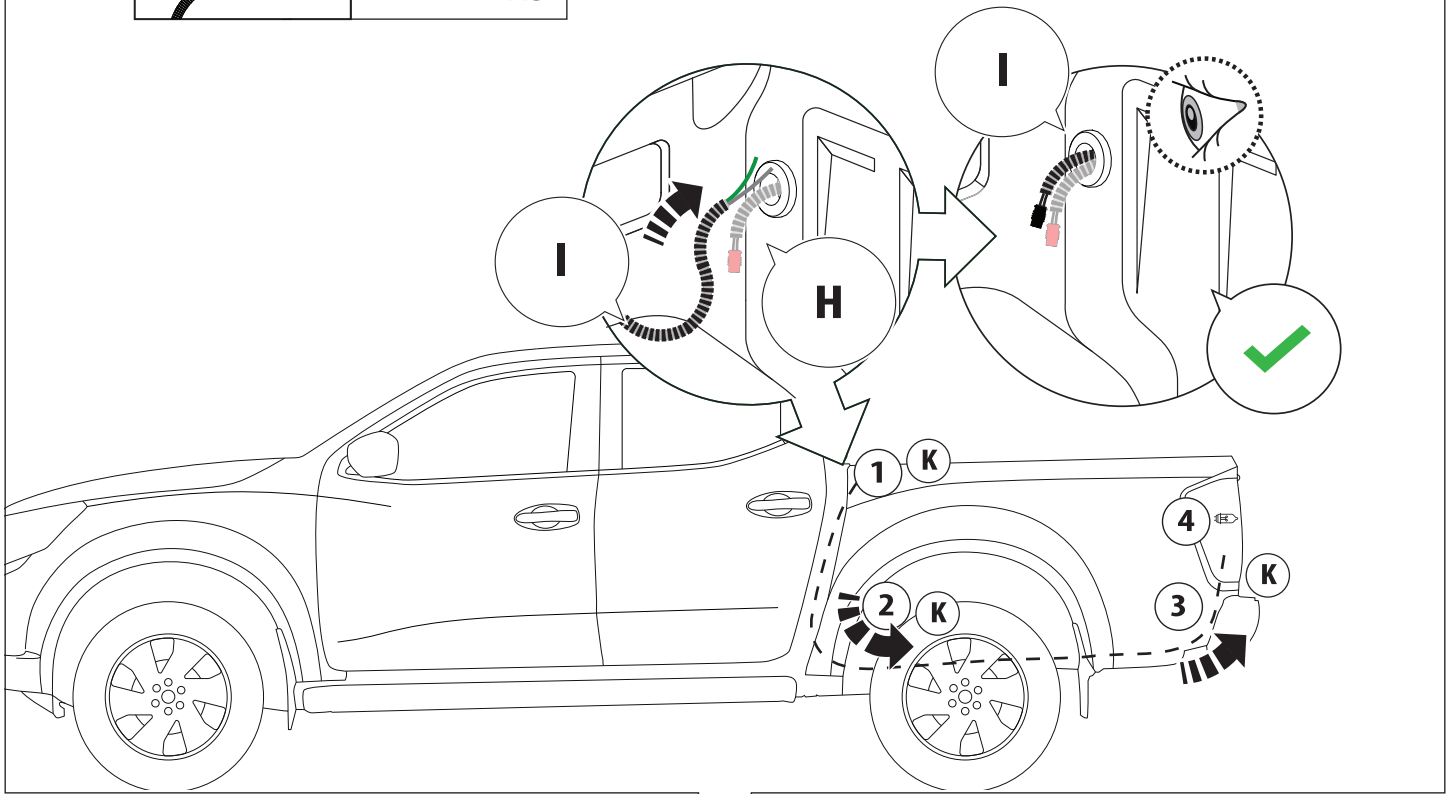
I



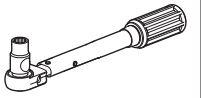
K



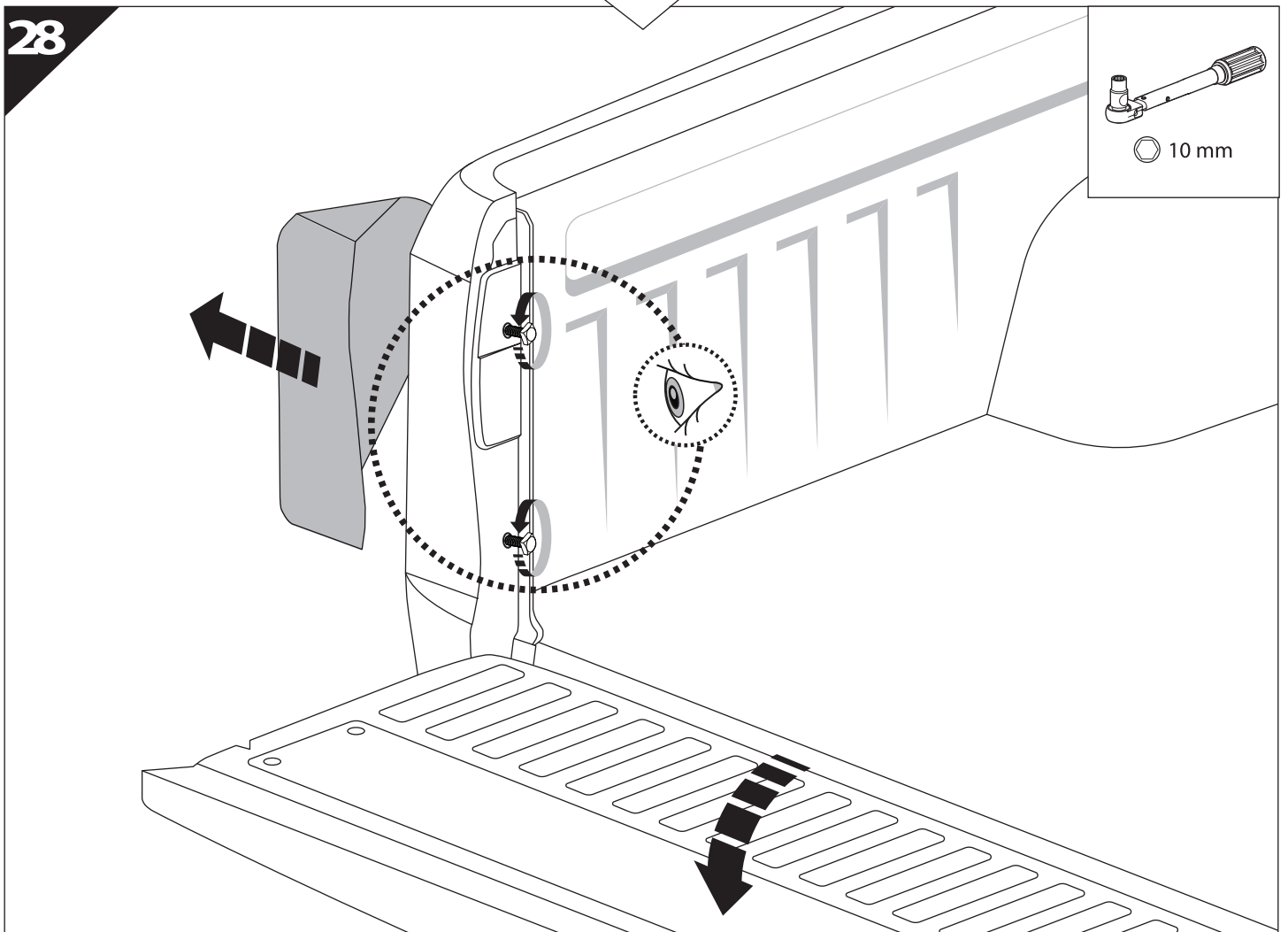
x5



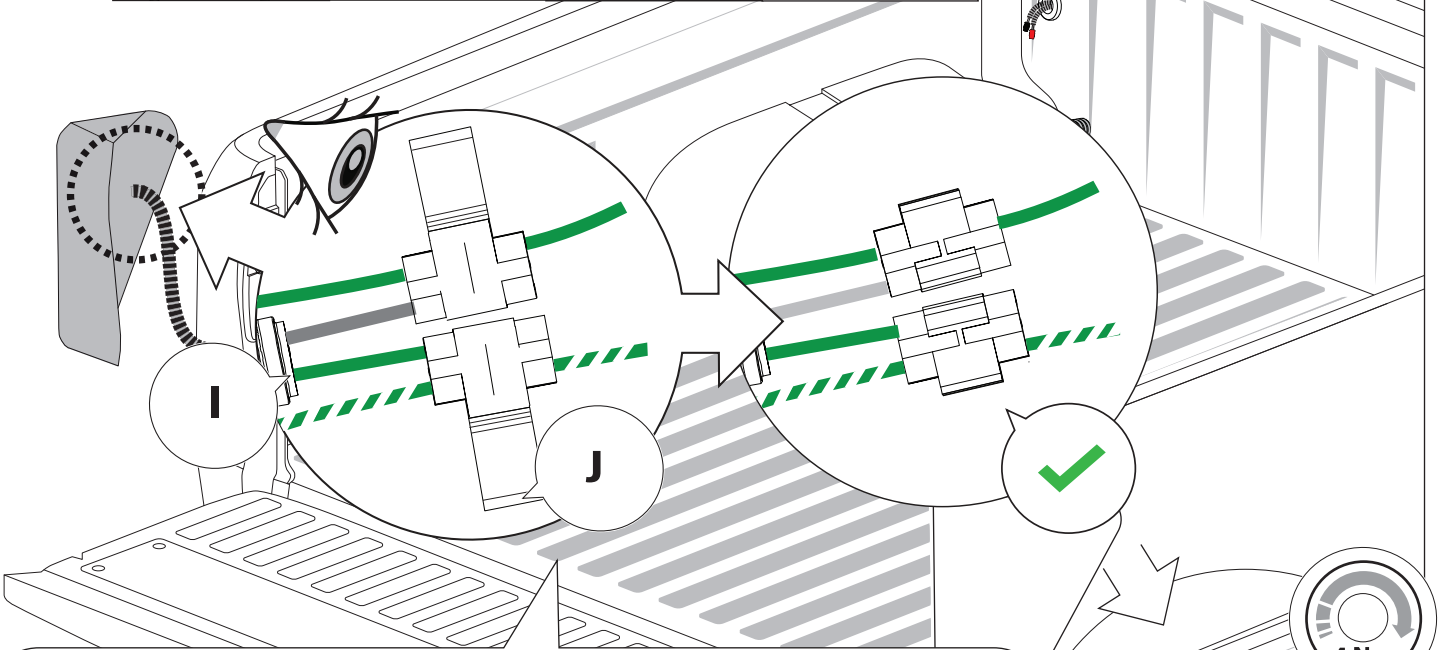
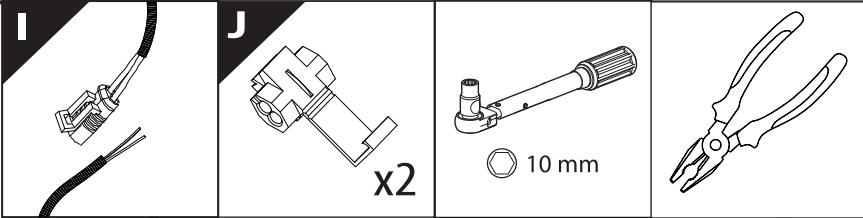
28



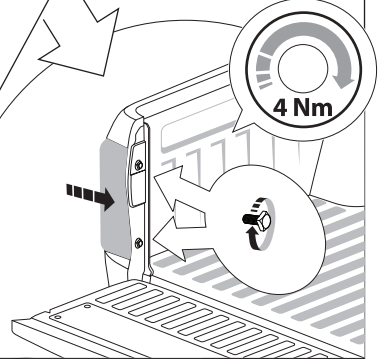
10 mm



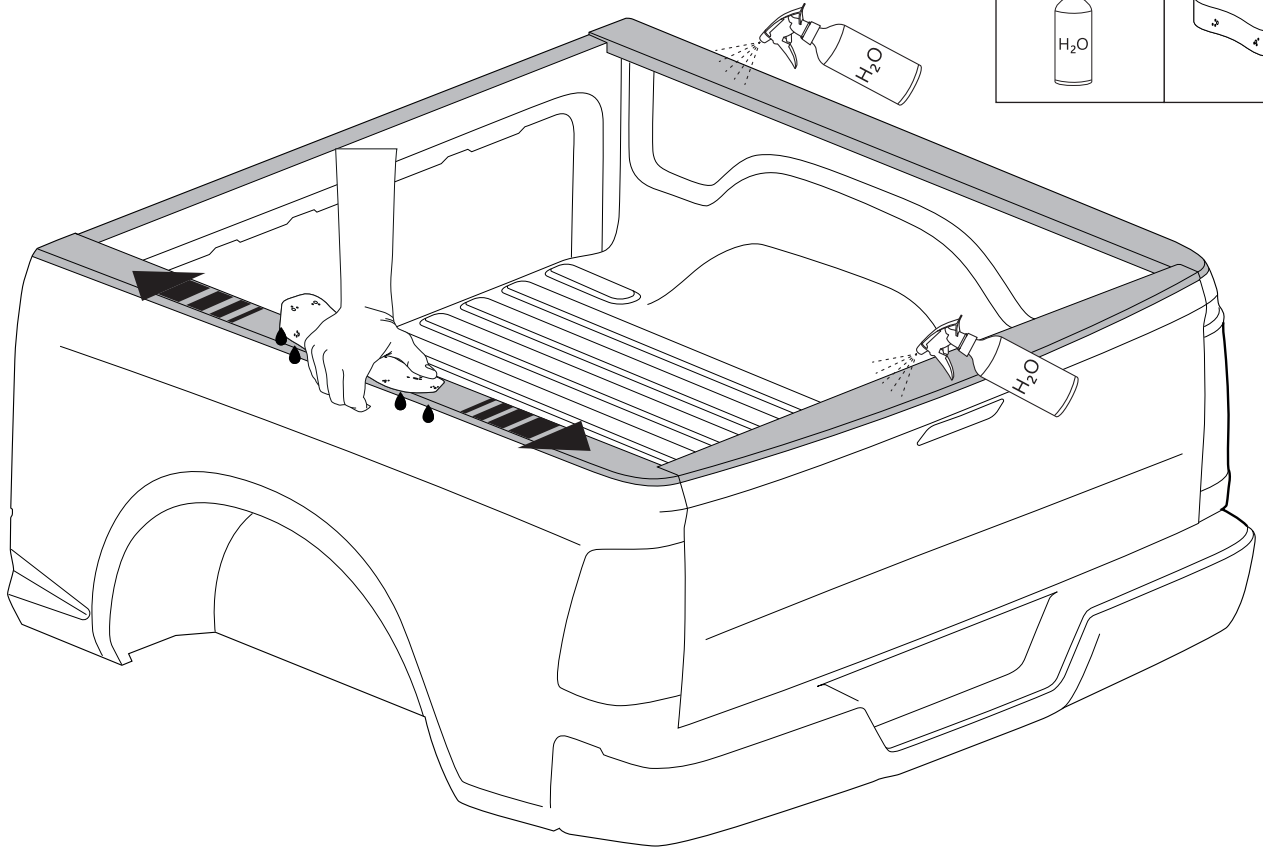
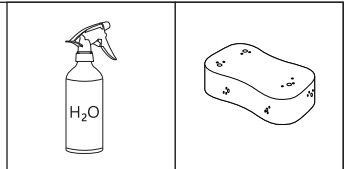
29

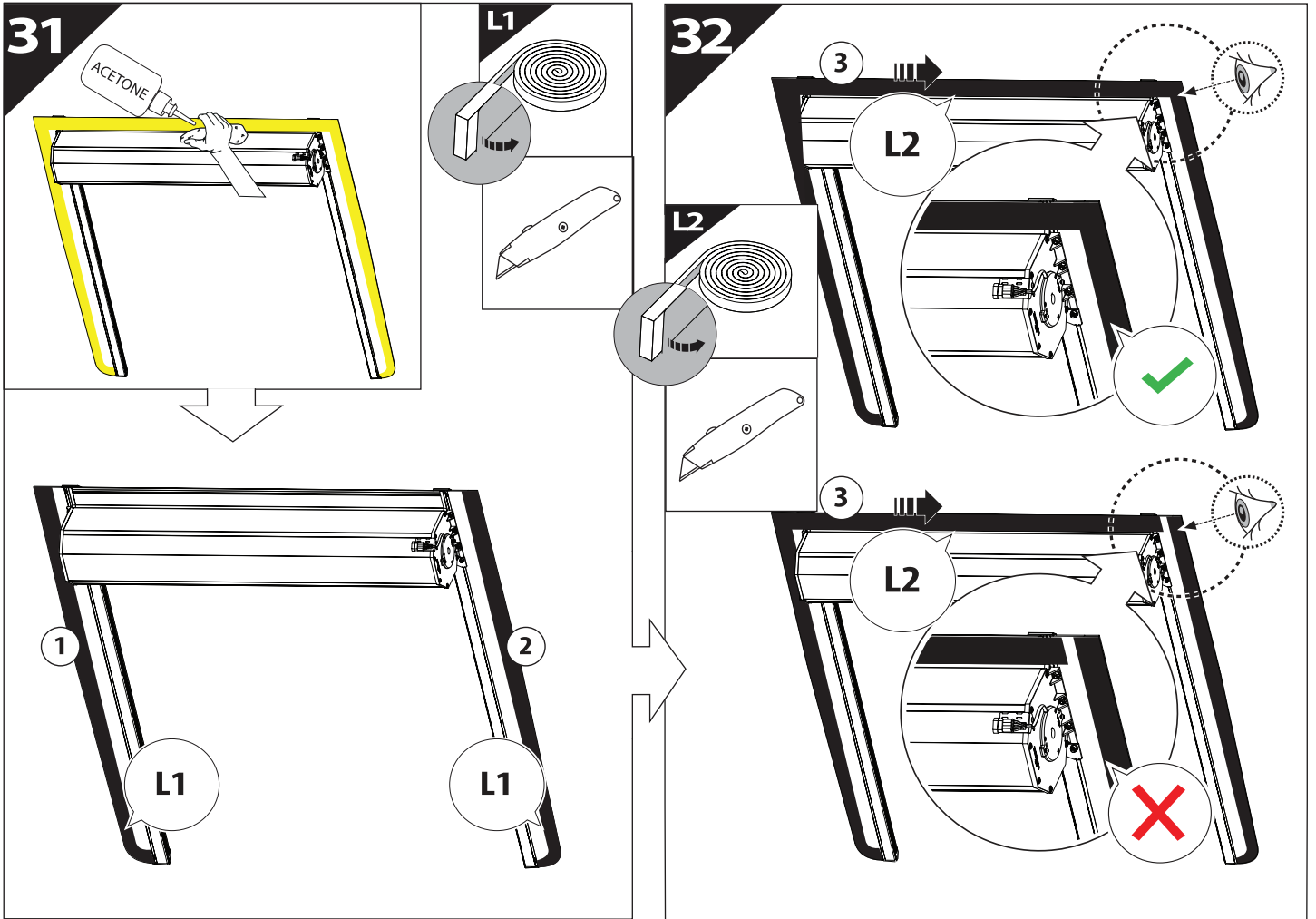


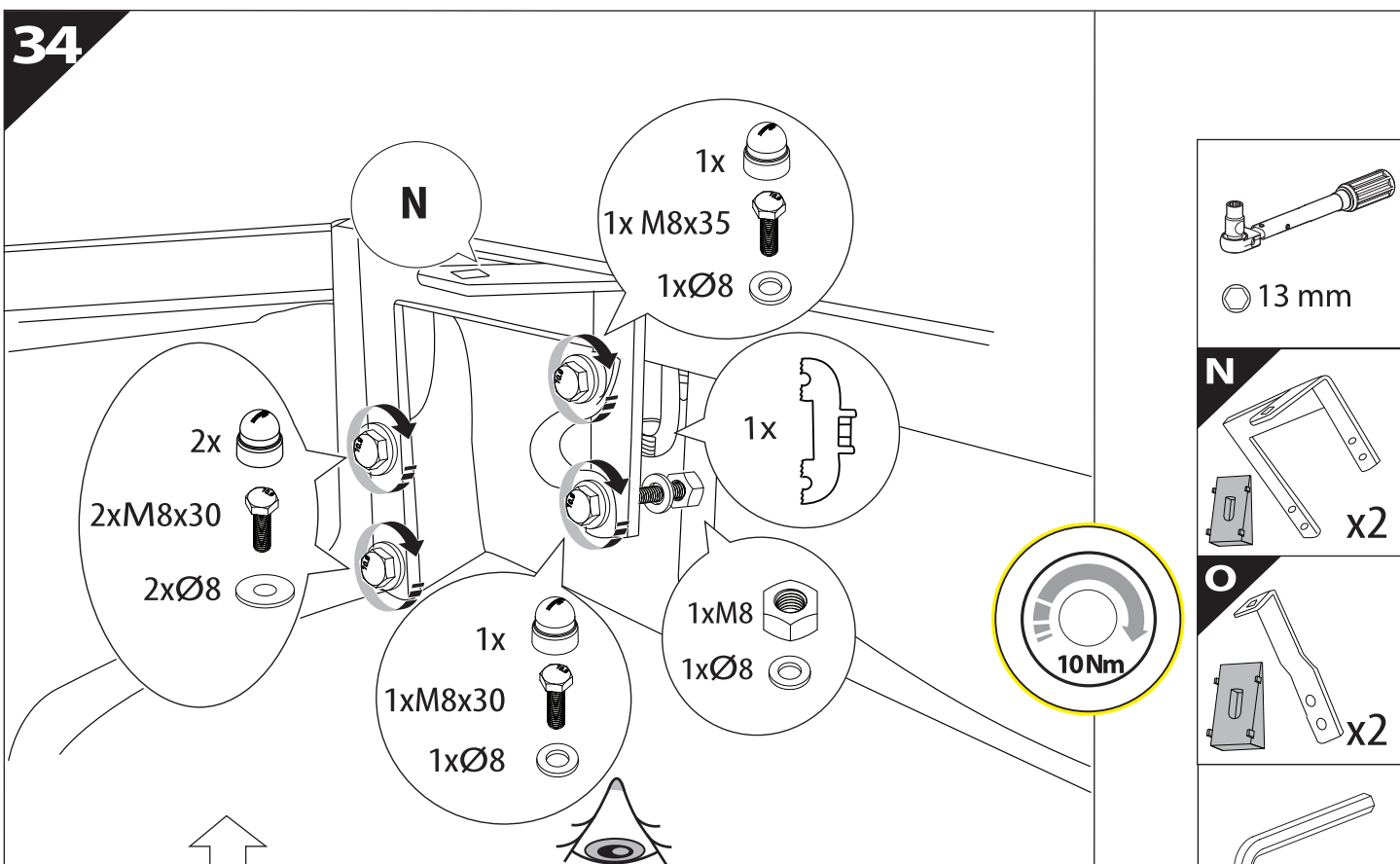
MODEL YEAR	LIGHTS	CAR	TESSERA ROLL+
HILUX 2016+/2021+	BEAM		
HILUX 2016+	STOP		
HILUX 2021+	STOP		



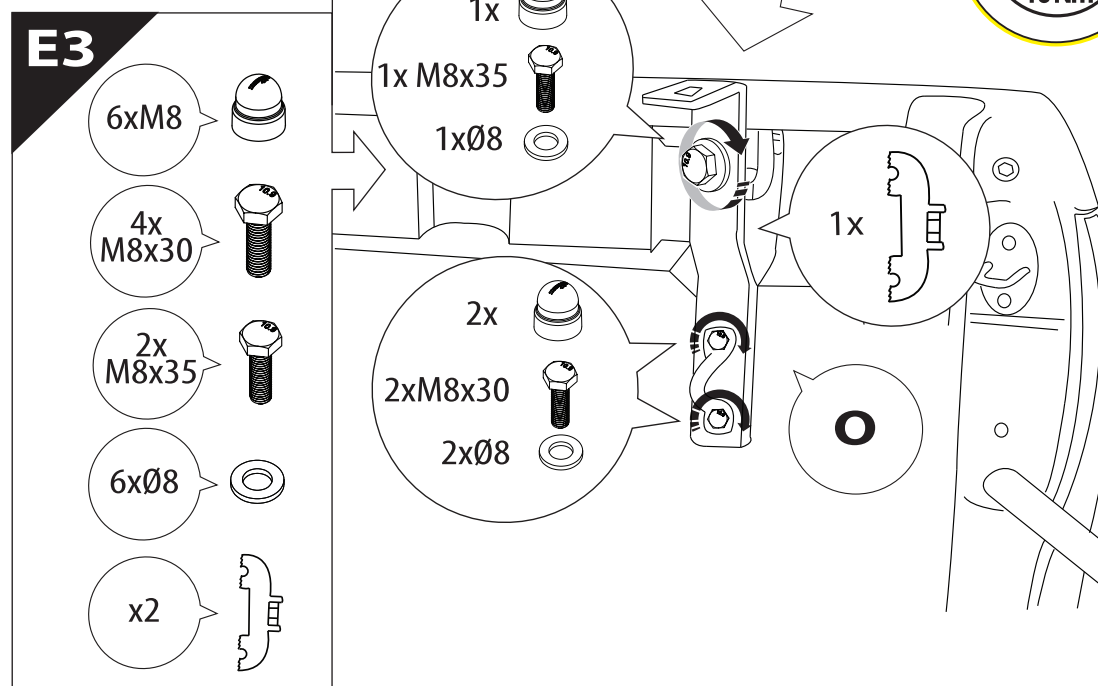
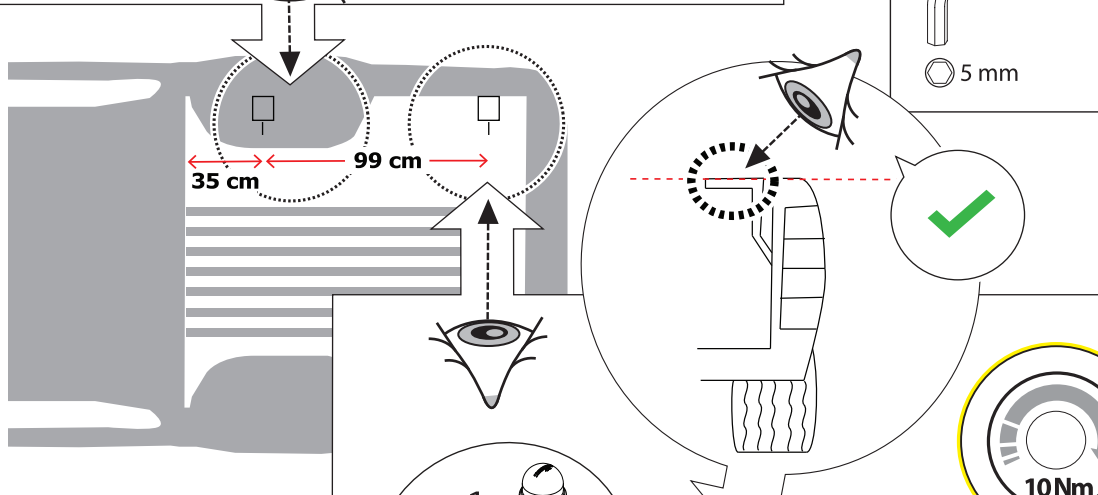
30



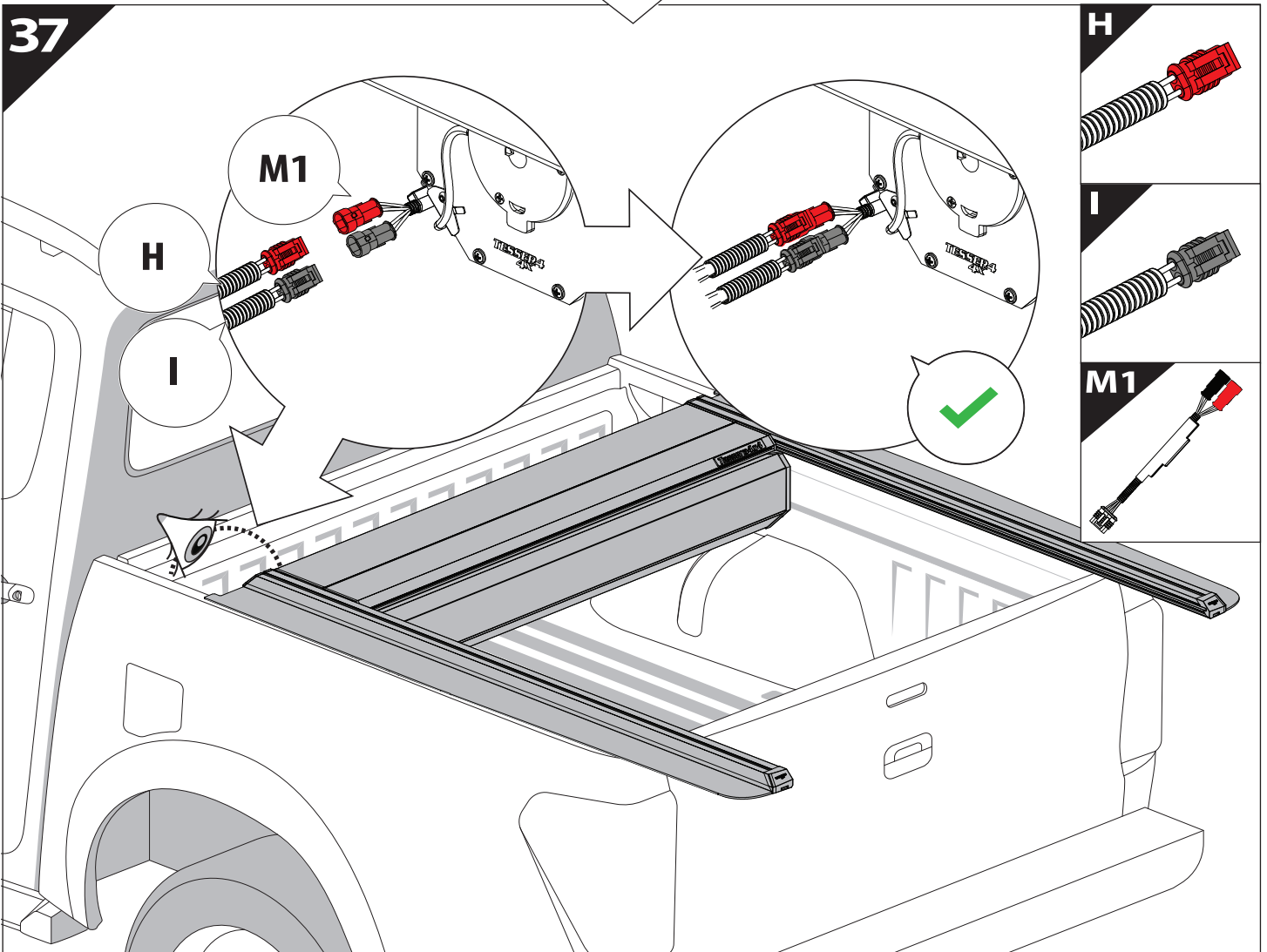
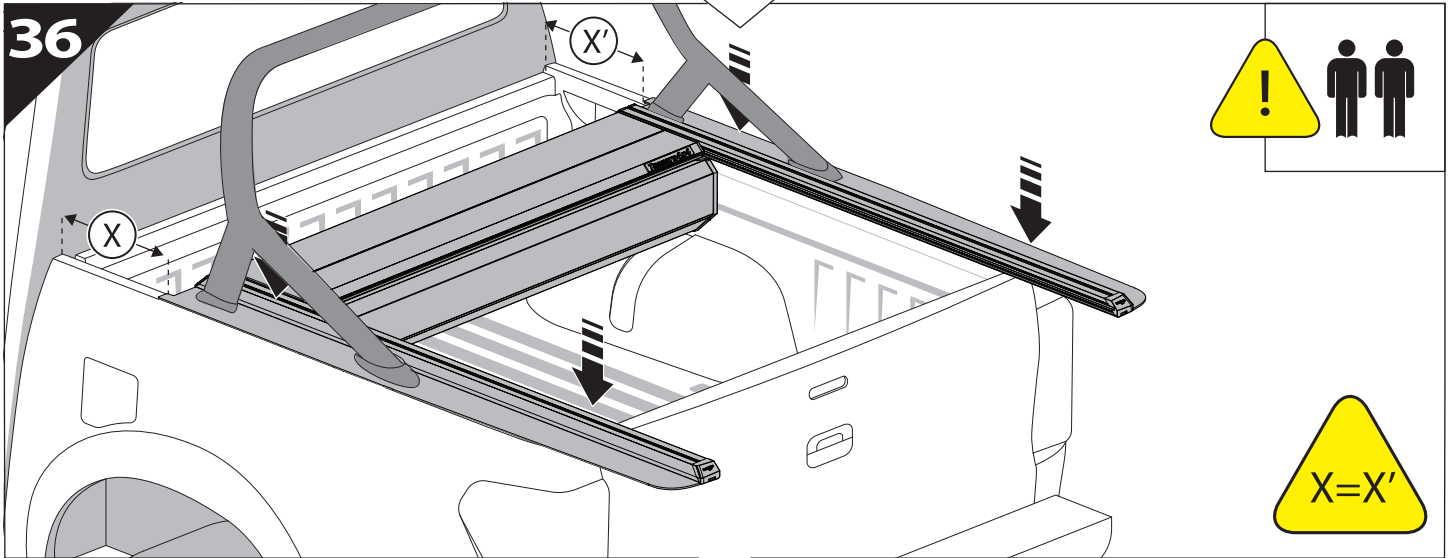
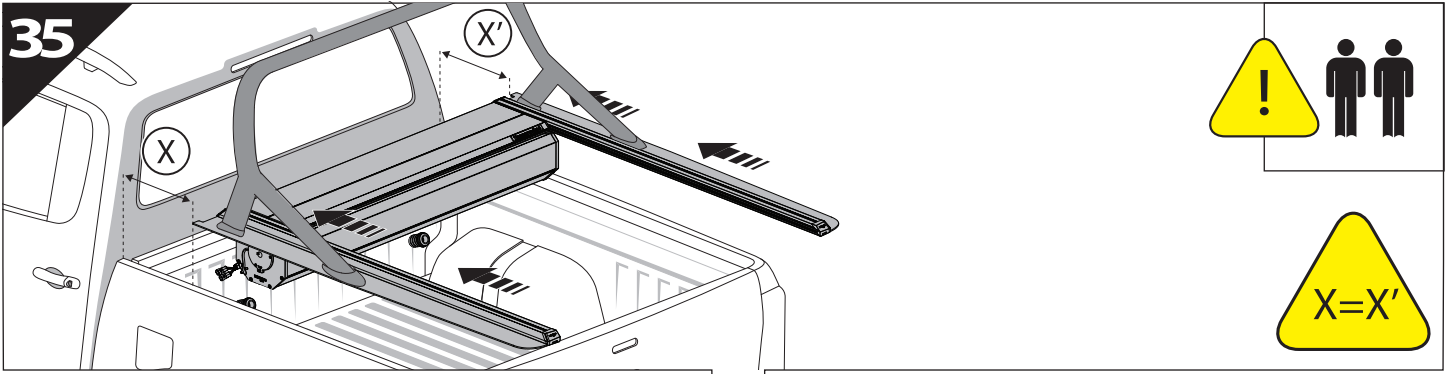




- E2**
- 8xM8
  - 6x M8x30
  - 2x M8x35
  - 4xØ8
  - 6xØ8
  - 2xM8
  - x2

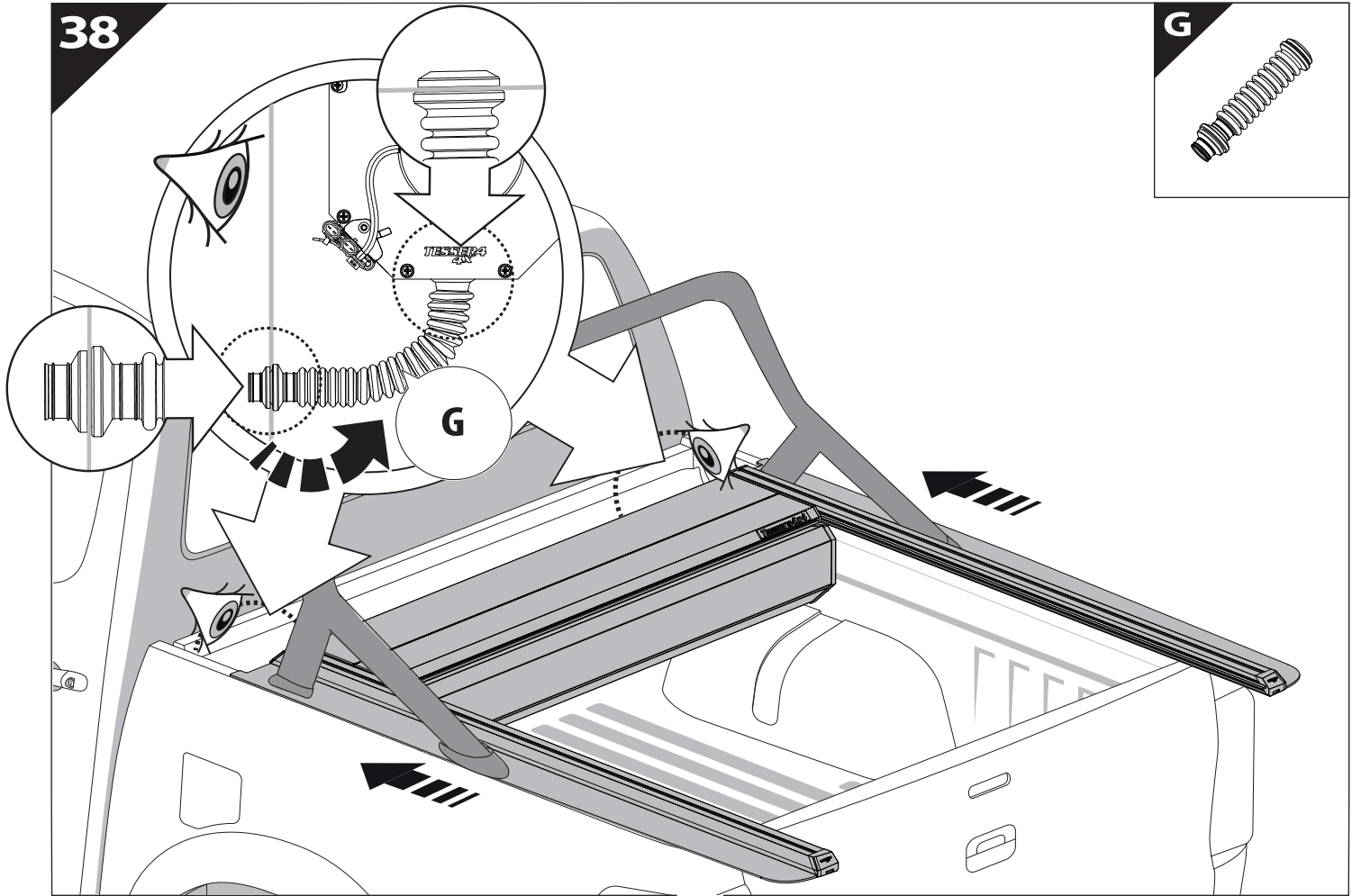




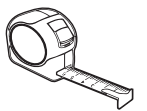
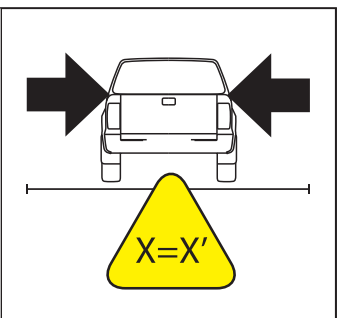
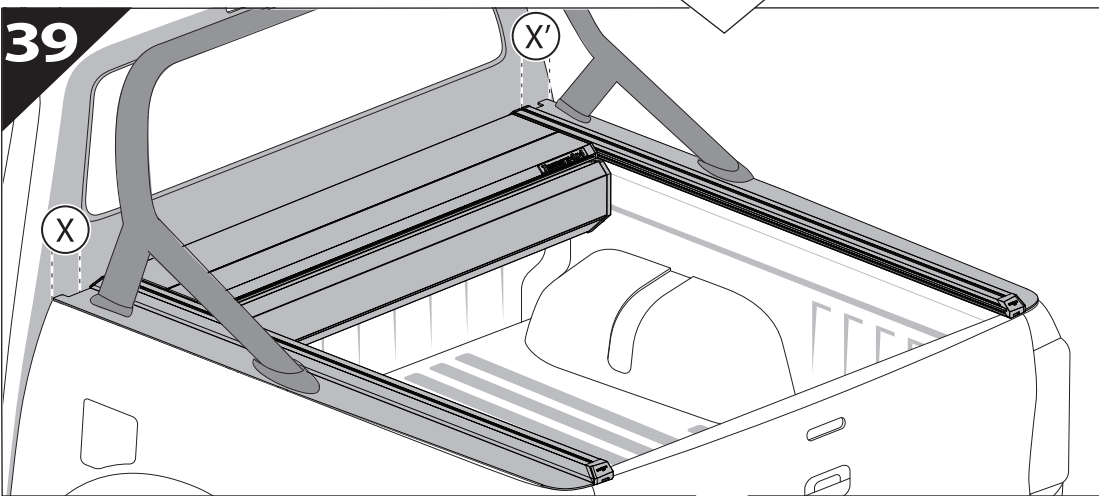


38

G

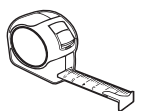
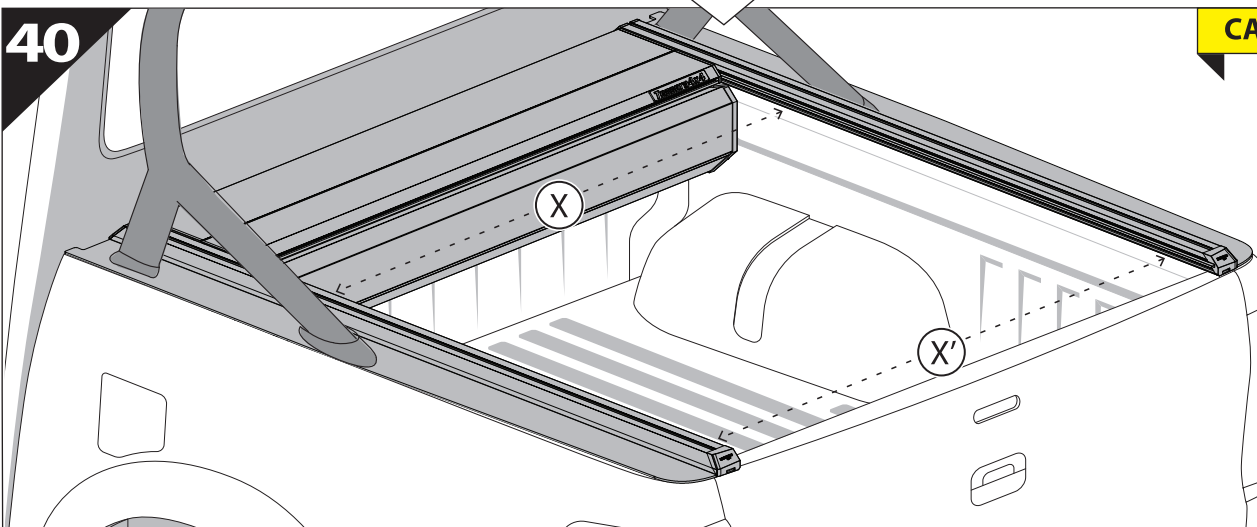


39

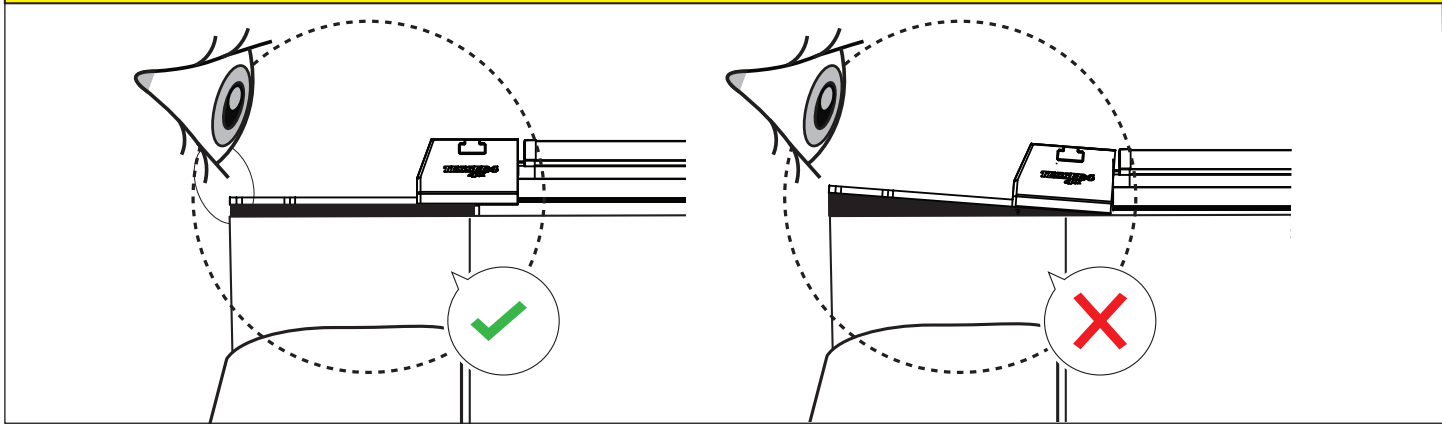


40

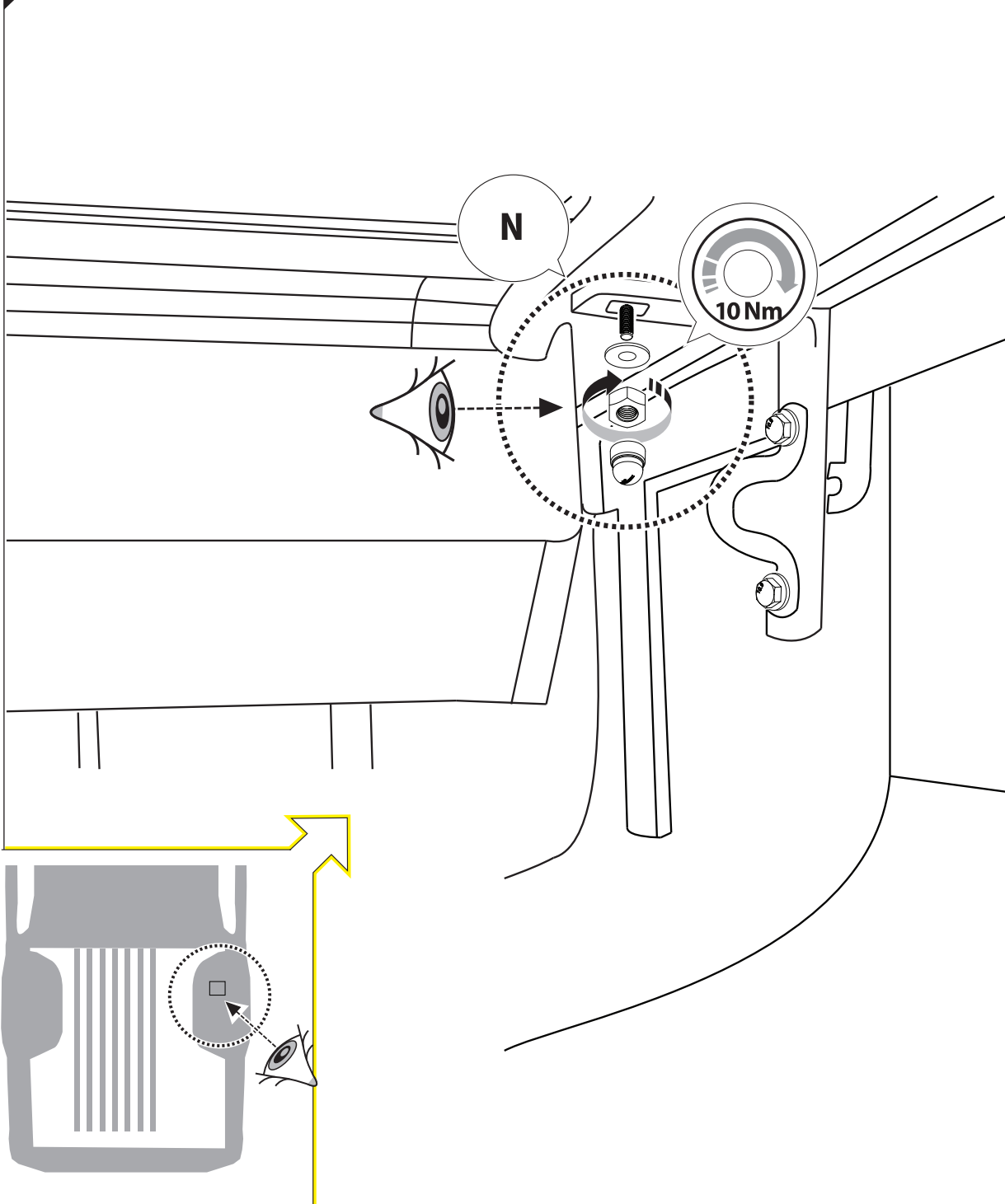
CAUTION !







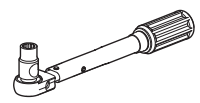
41



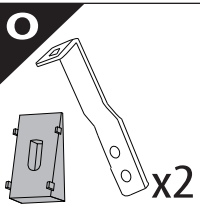
- E**
  - 1 bolt
  - 1 washer
  - 1 nut
  - 1 cap
- x2
- 1 torque wrench
- 13 mm
- N**
  - 1 square
  - 1 L-shaped tool
- x2



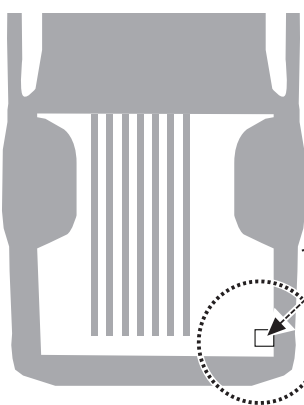
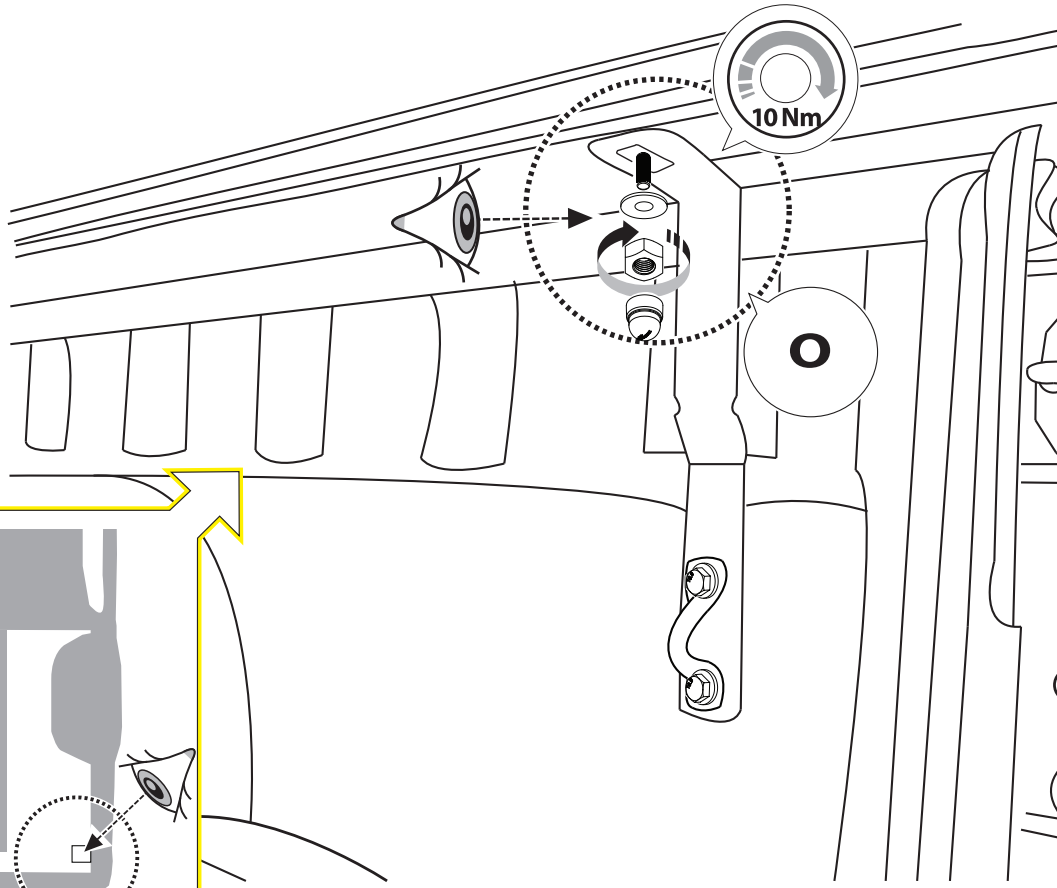
x2



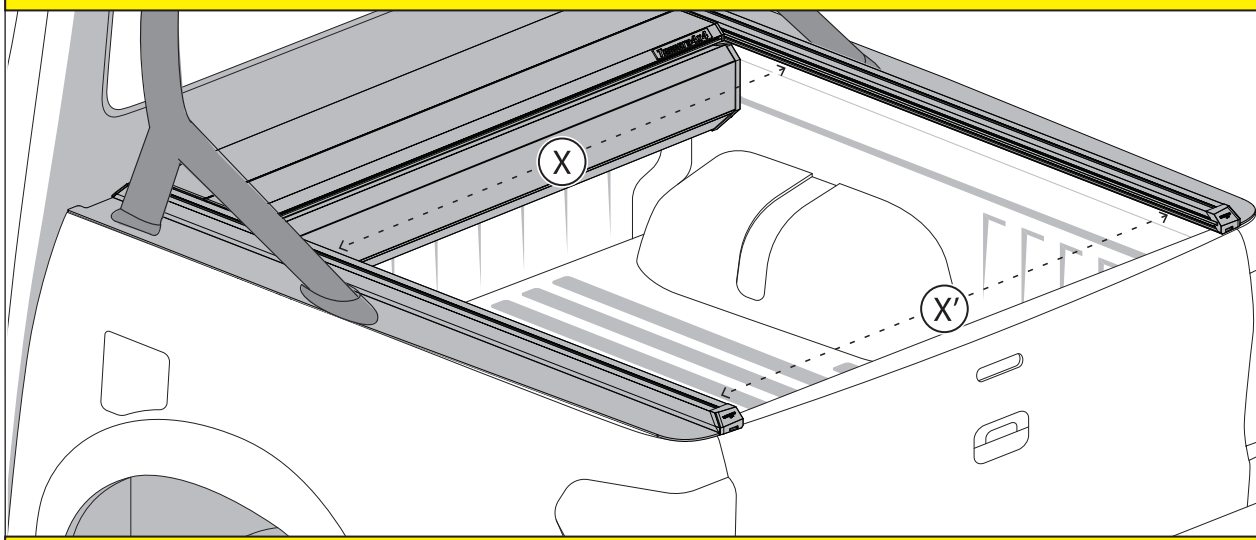
13 mm



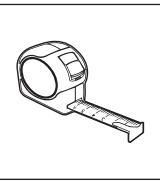
x2



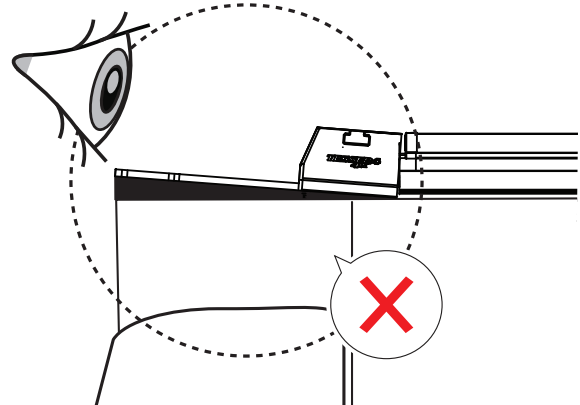
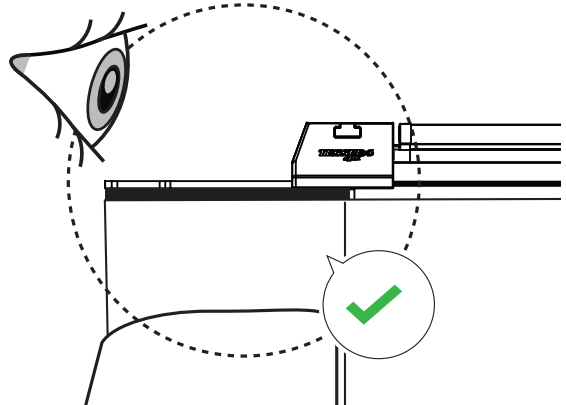
**CAUTION** !

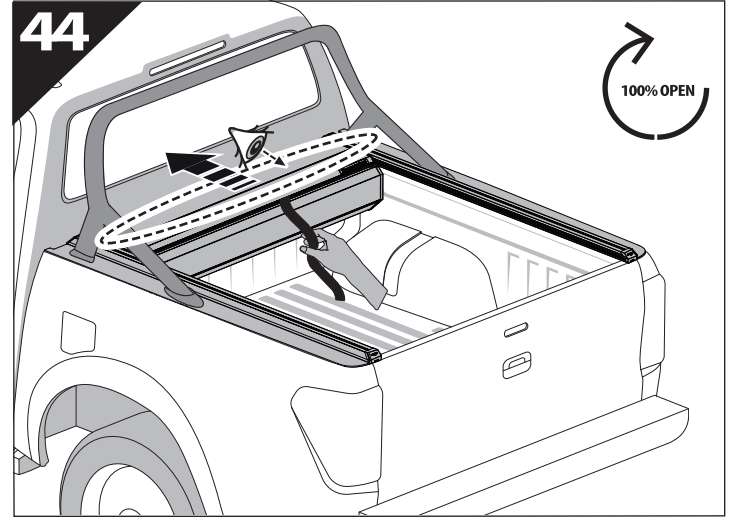
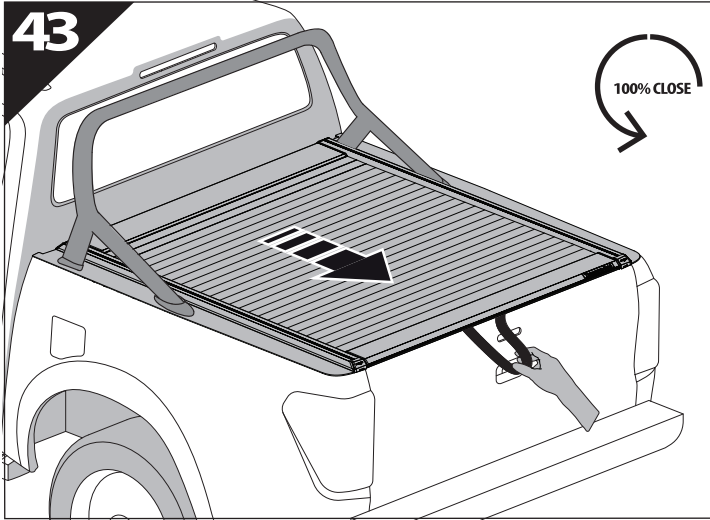


**X=X'**



**CAUTION** !





**GR:** Οδηγίες Εγκατάστασης  
**GB:** Installation manual  
**SF:** Asennusohje  
**F:** Notice de montage  
**PL:** Instrukcja montażu  
**NL:** Installatie-instructies  
**TR:** Montaj Talimatı  
**S:** Monteringsanvisning  
**E:** Instrucciones de montaje

**H:** Szerelési utasítás  
**P:** Instruções de instalação  
**RUS:** Инструкция по установке  
**N:** Monteringsveiledning  
**D:** Einbauanleitung  
**CZ:** Návod k instalaci  
**I:** Istruzioni de montaggio  
**DK:** Monteringsvejledning  
**RO:** Instructiuni de instalare

Customer Service:

+30 (210) 5541161, +30 (210) 5541154 (08:00 - 16:00 EET)

Support department:

info@gianso.gr

Website:

www.tessera4x4.com

Address:

19.5 km of National road Athens-Korinthos (Elefsina) Greece, P.C: 19200