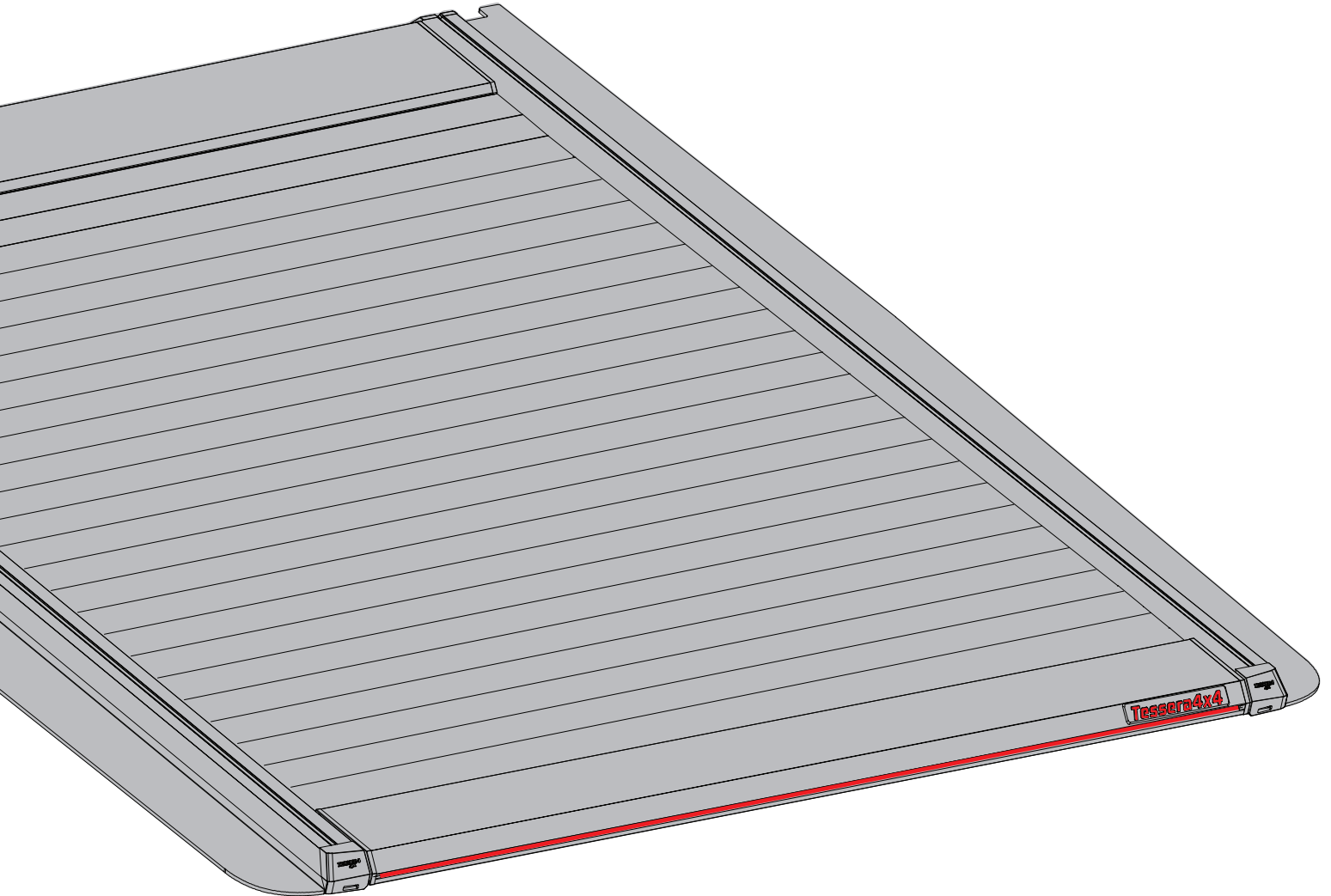


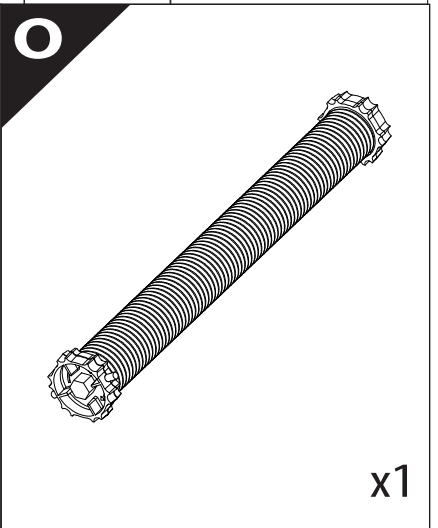
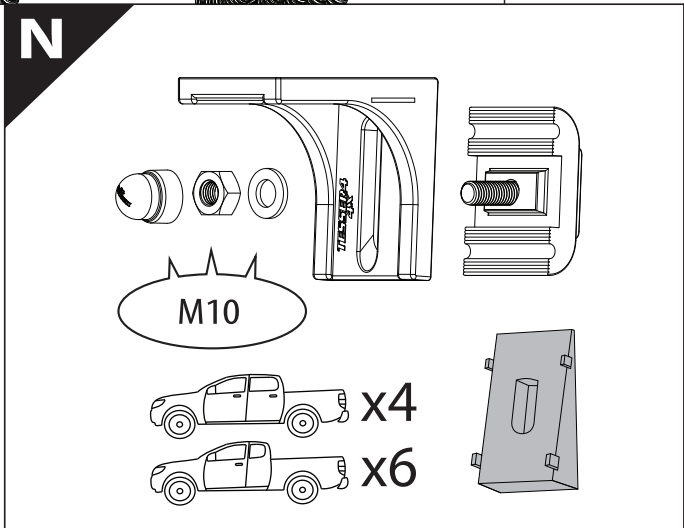
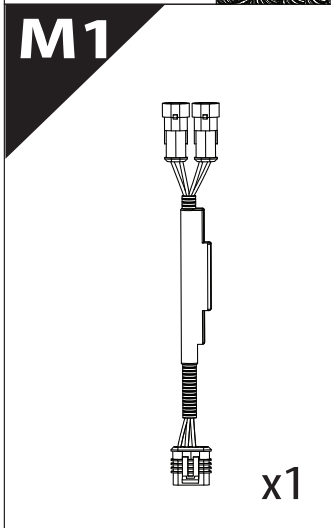
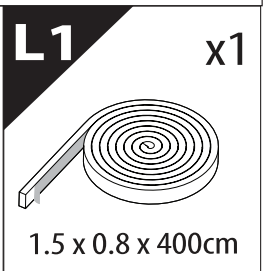
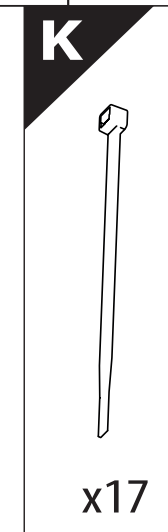
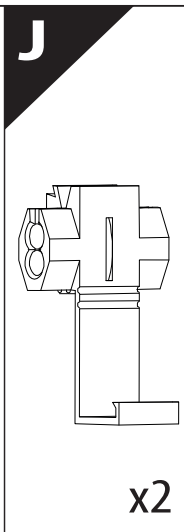
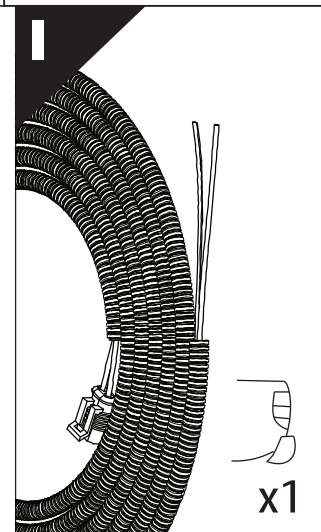
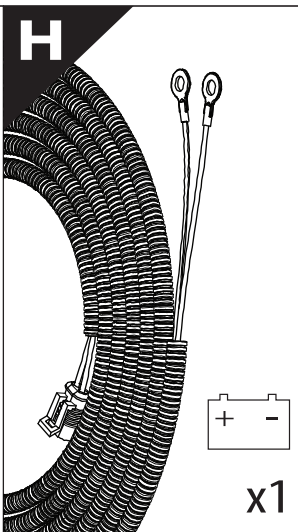
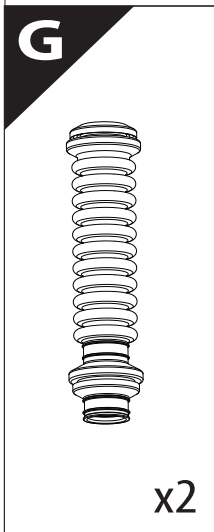
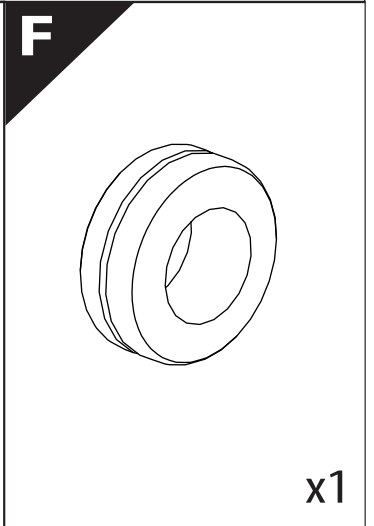
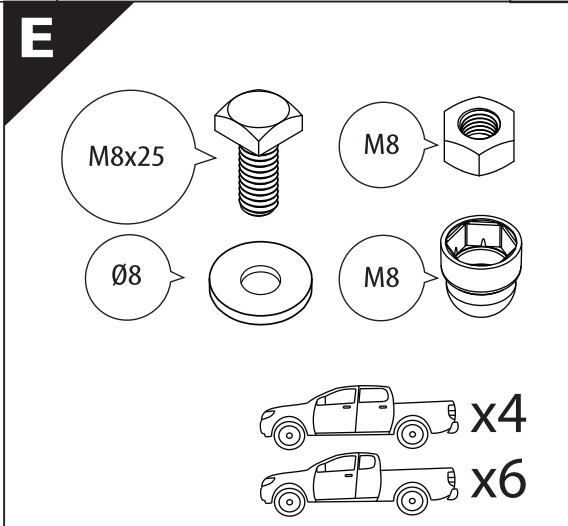
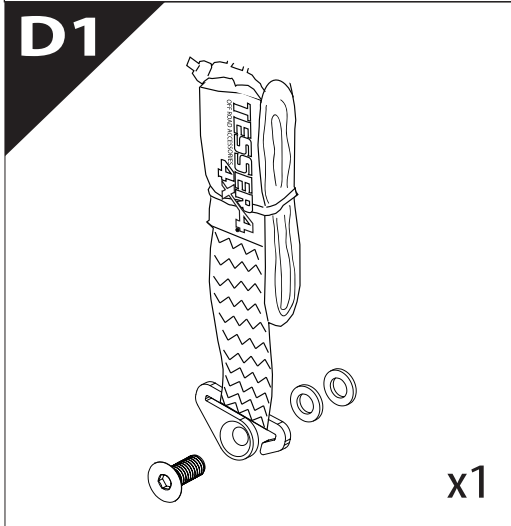
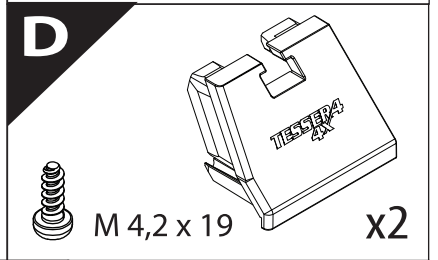
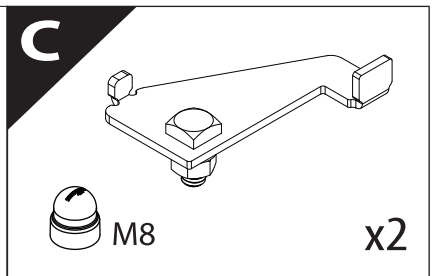
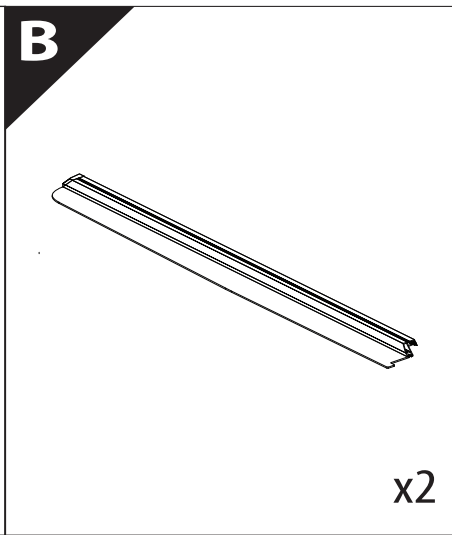
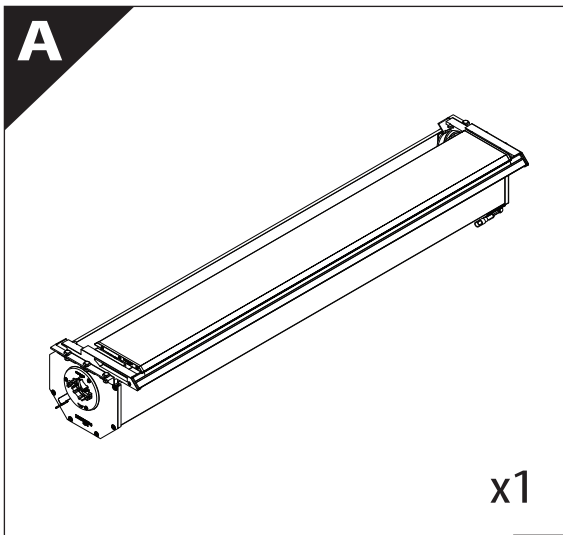
Tessera Roll+

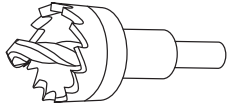
Basic Version + ⚙️ S-KIT



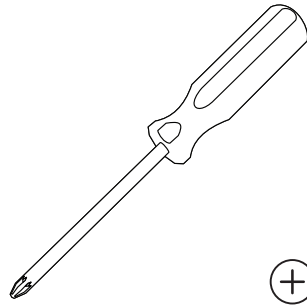
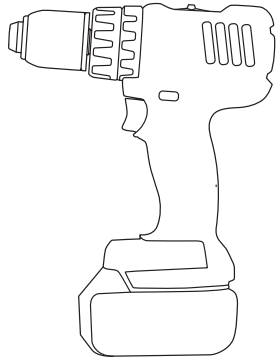
Installation Manual

PART NUMBER(S)	Model Year
TESS 1416 ROLL+ S-KIT	Toyota Hilux (Revo) 2016+
TESS 1417 ROLL+ S-KIT	
Cab(s)	Installation Time / Weight
Double Cab & Space cab	40-60 minutes / 53-57 kg

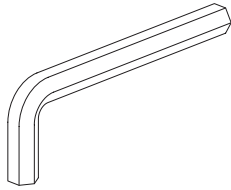
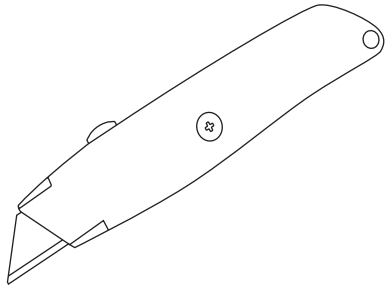
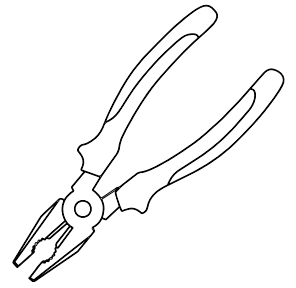




Ø 25 mm / Ø 40 mm

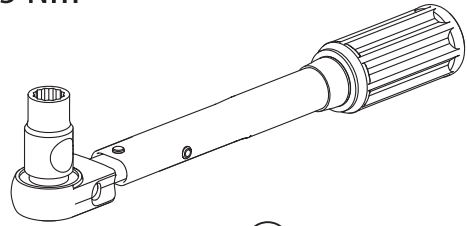


+



4 mm

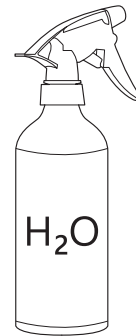
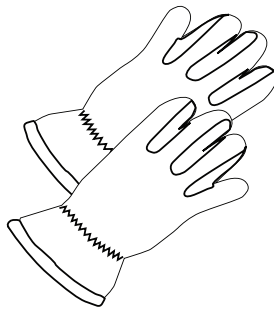
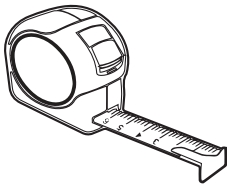
1 - 25 Nm



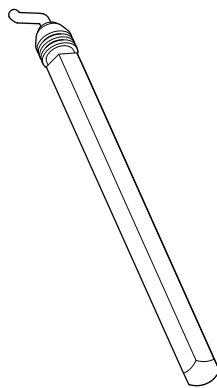
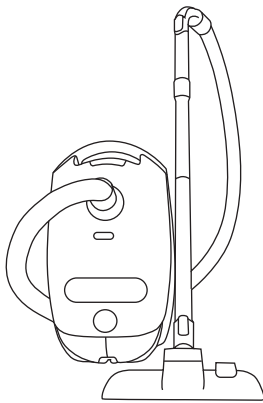
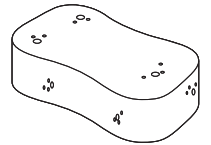
12, 13, 17 mm



ACETONE



H₂O



ANTI-RUST



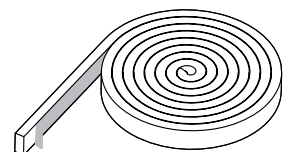
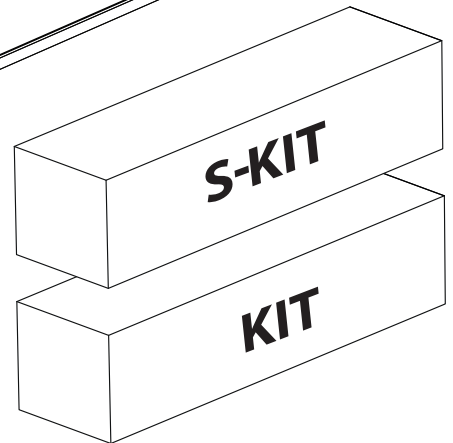
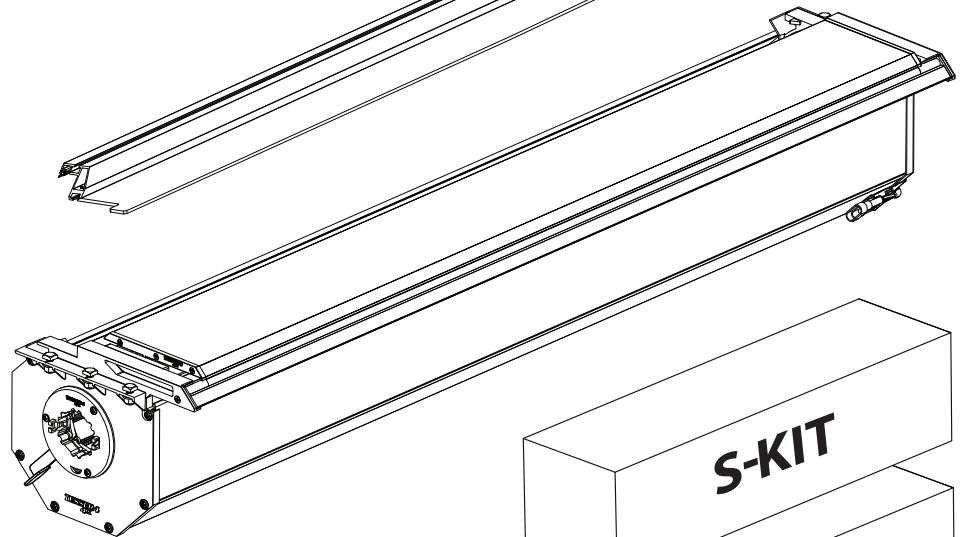
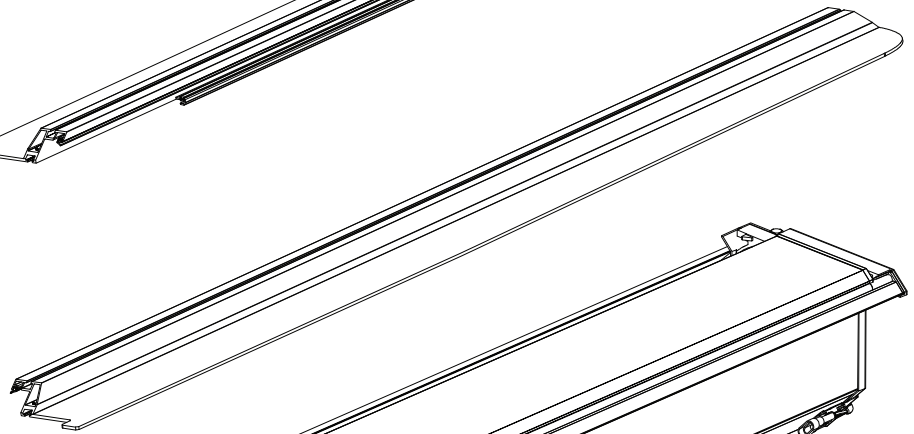
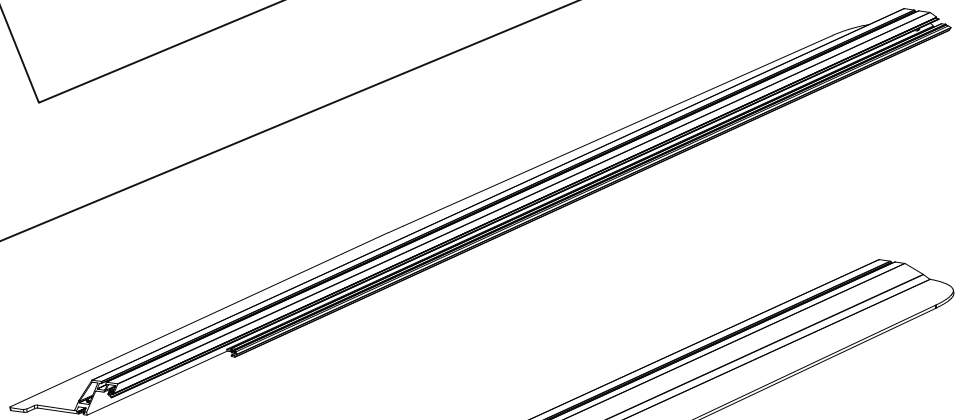
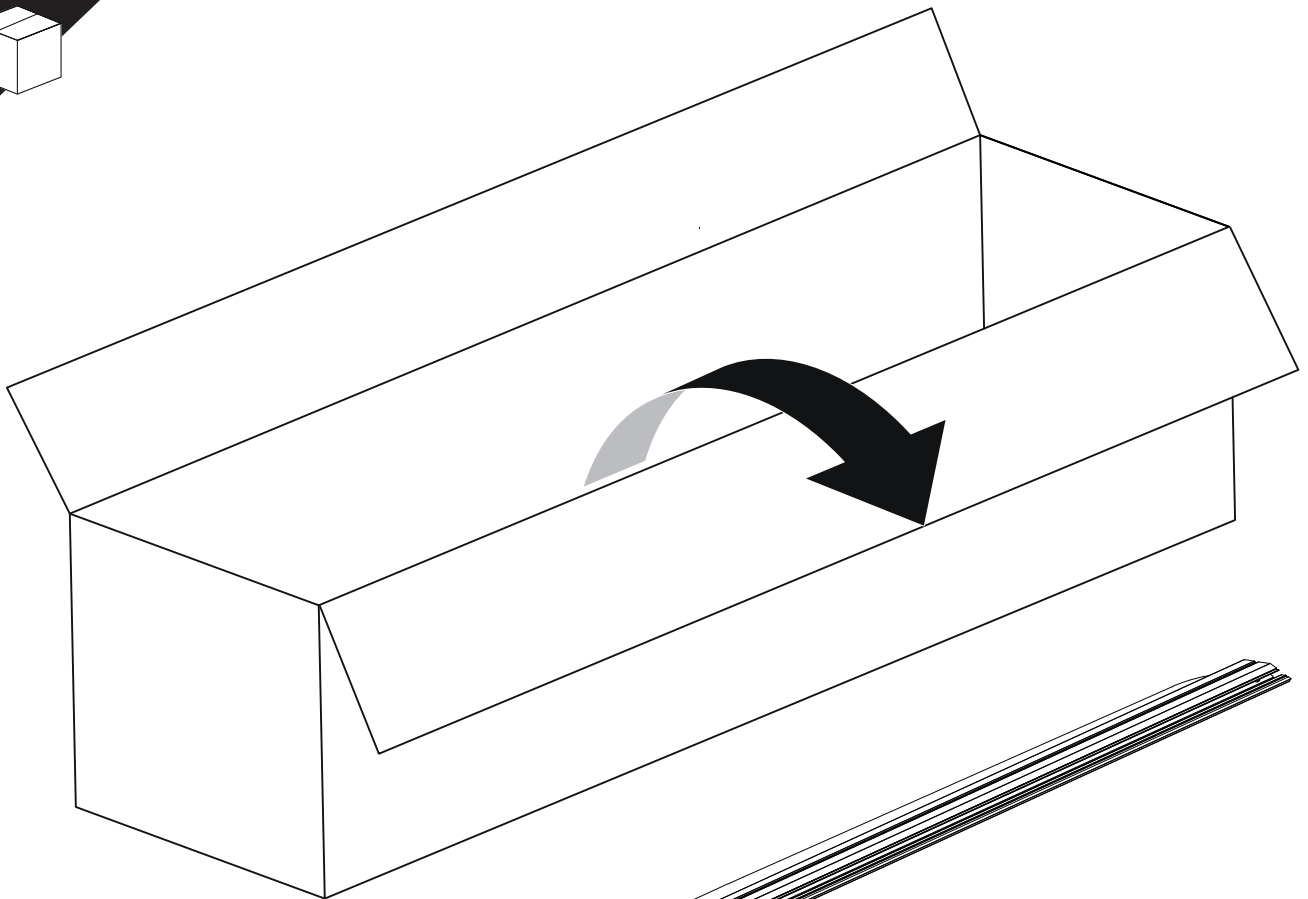
INSTALATION
MANUAL
+S-KIT



OWNERS
MANUAL



x1

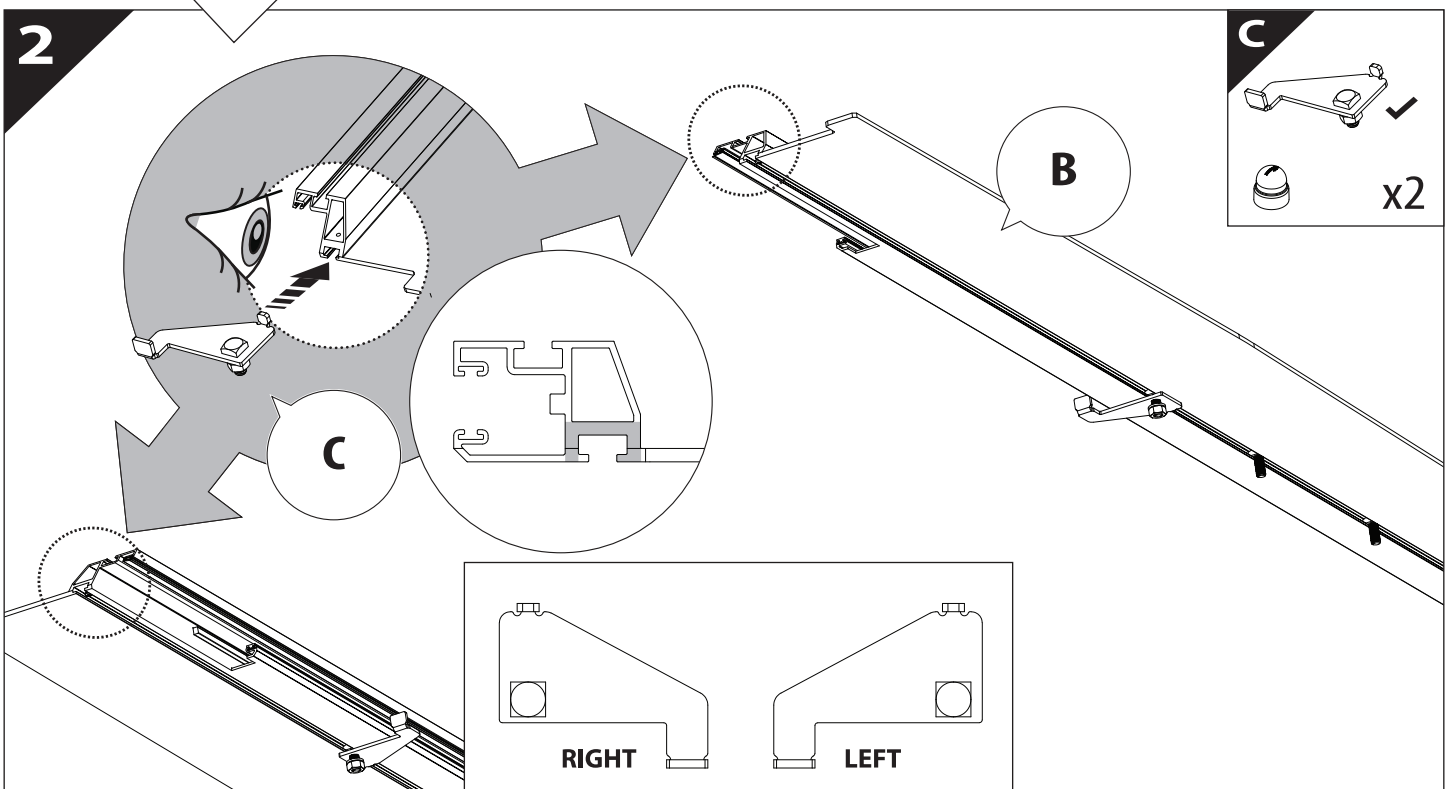
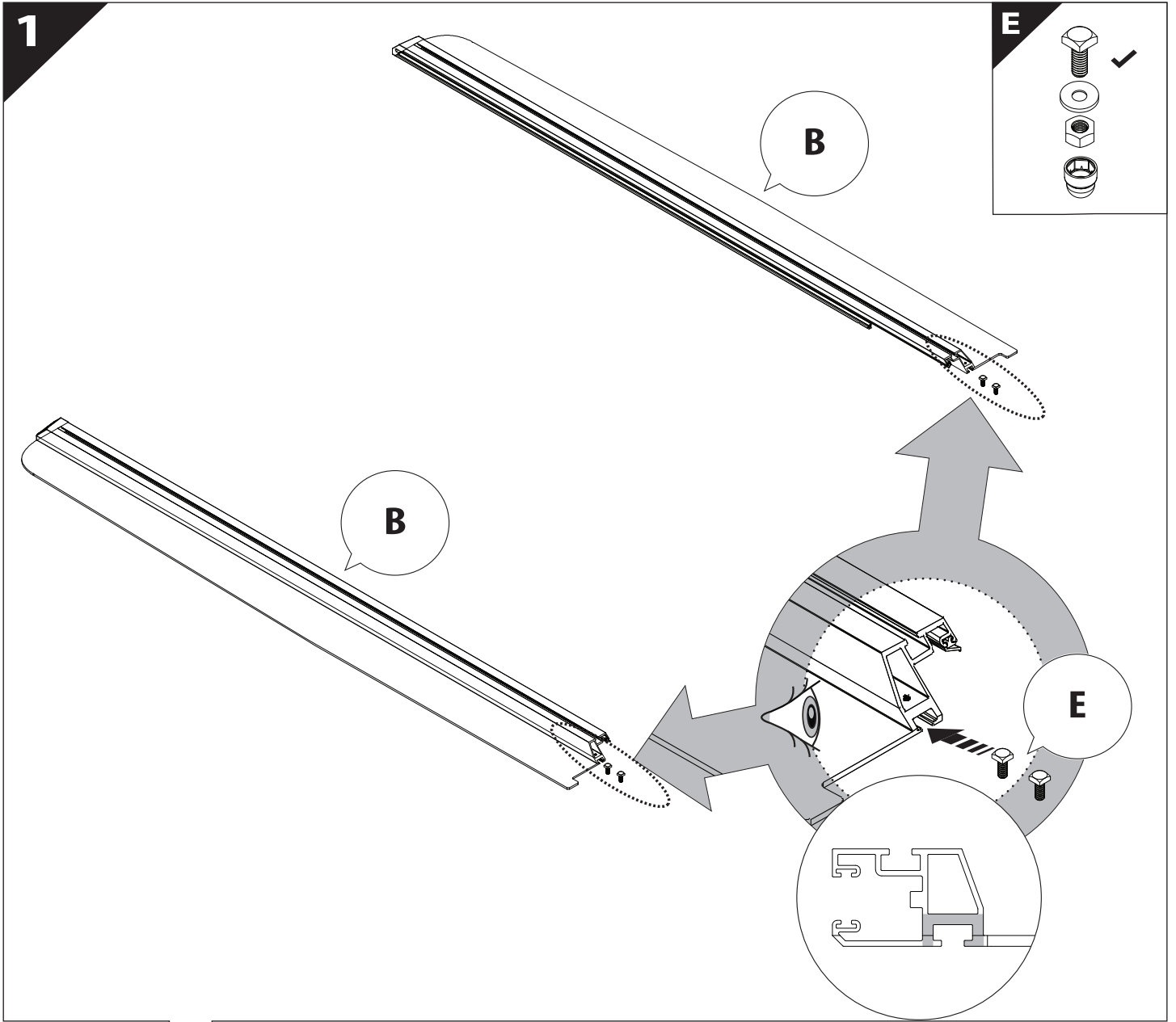


B

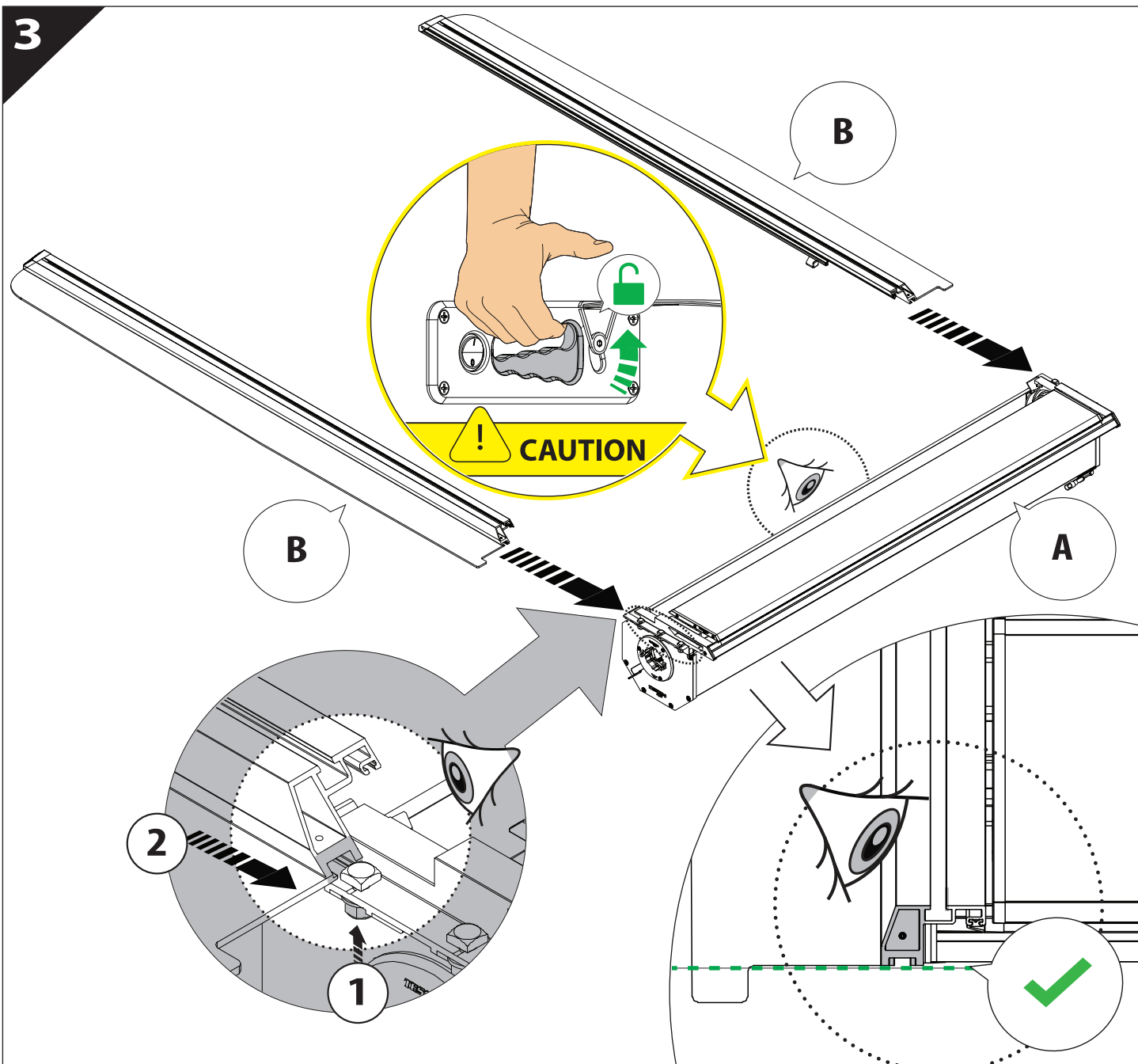
A

KITS

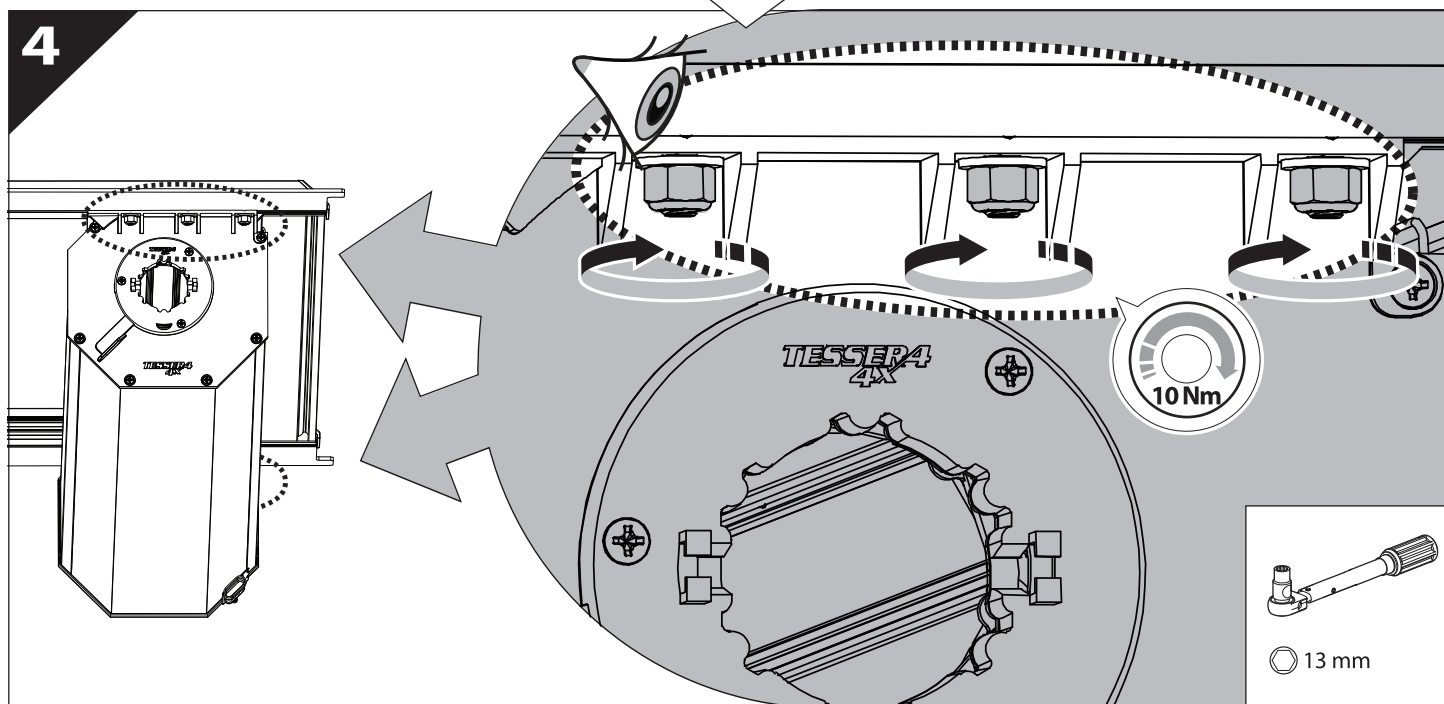
L

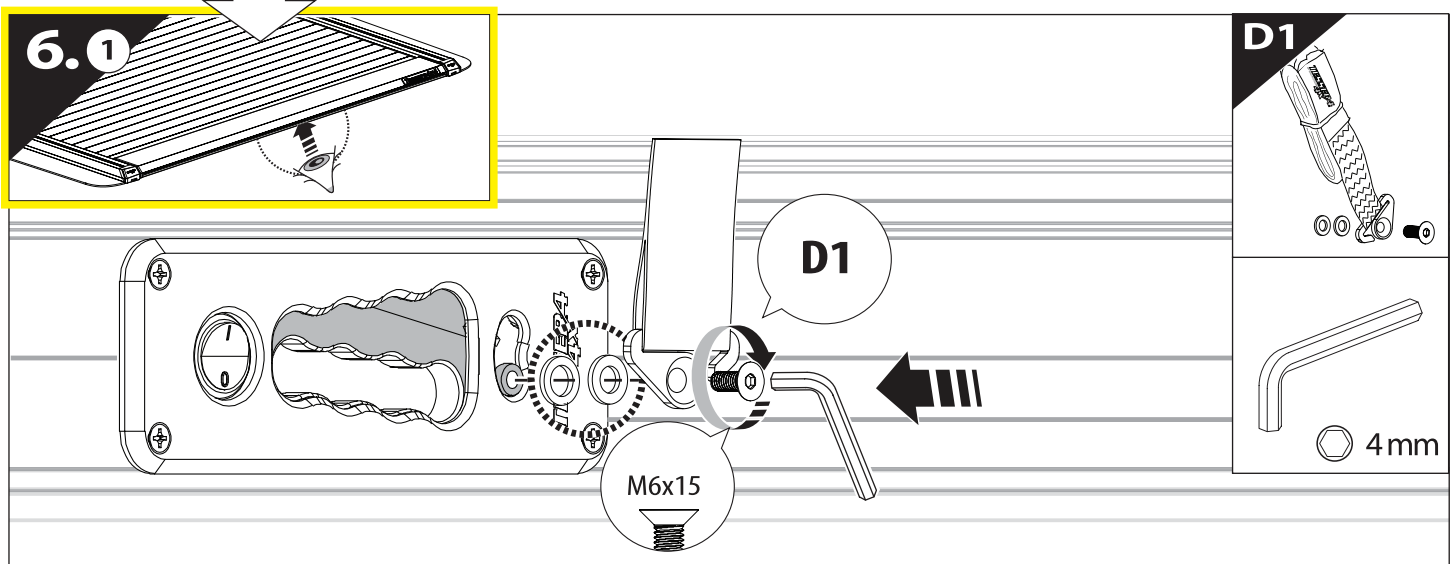
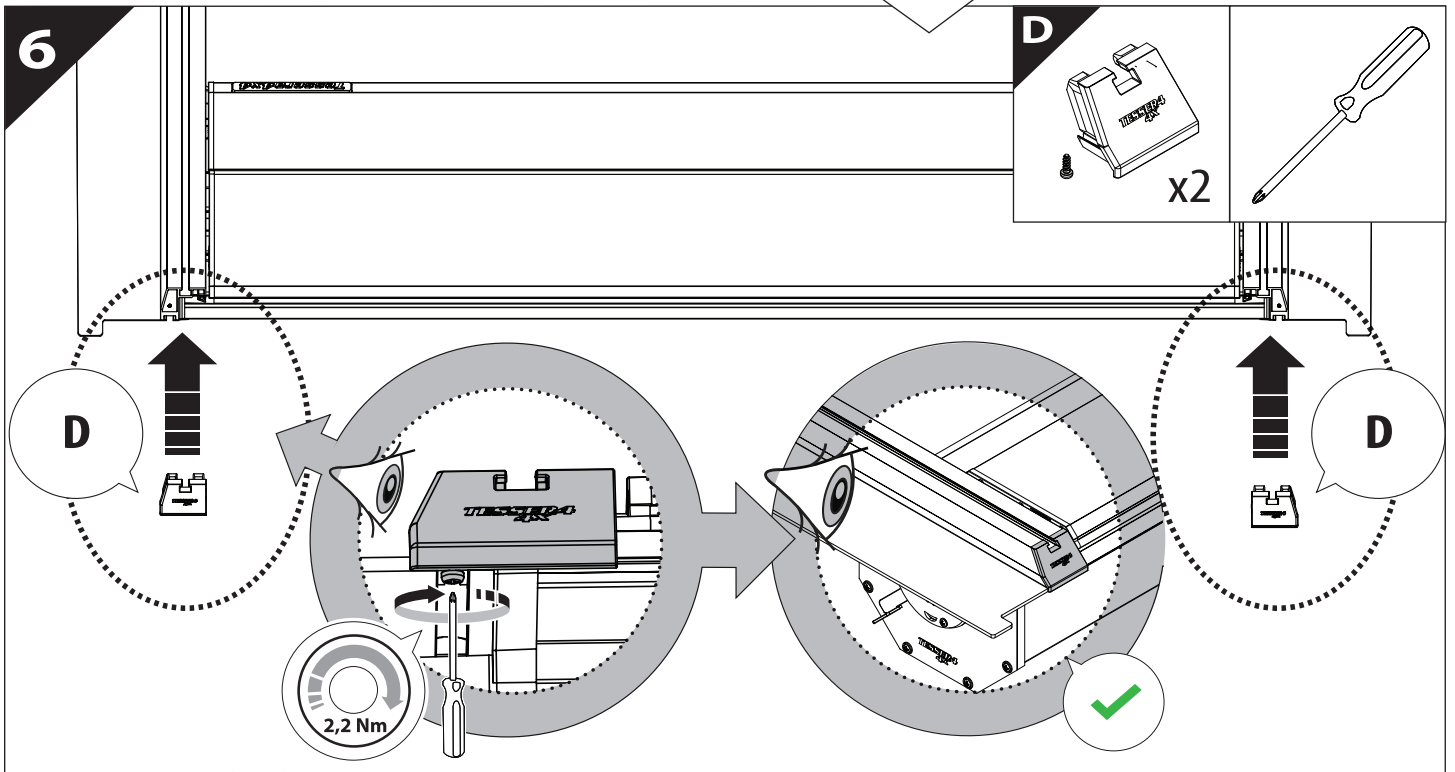
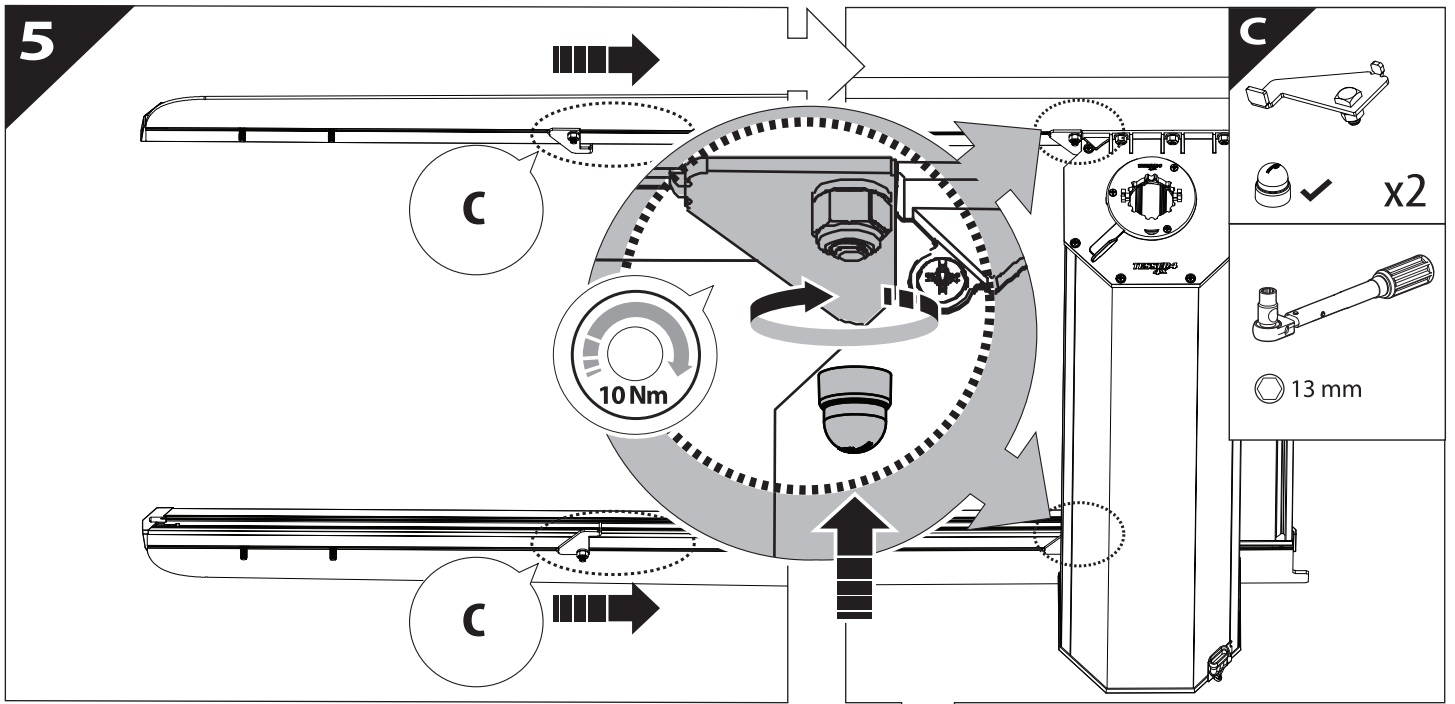


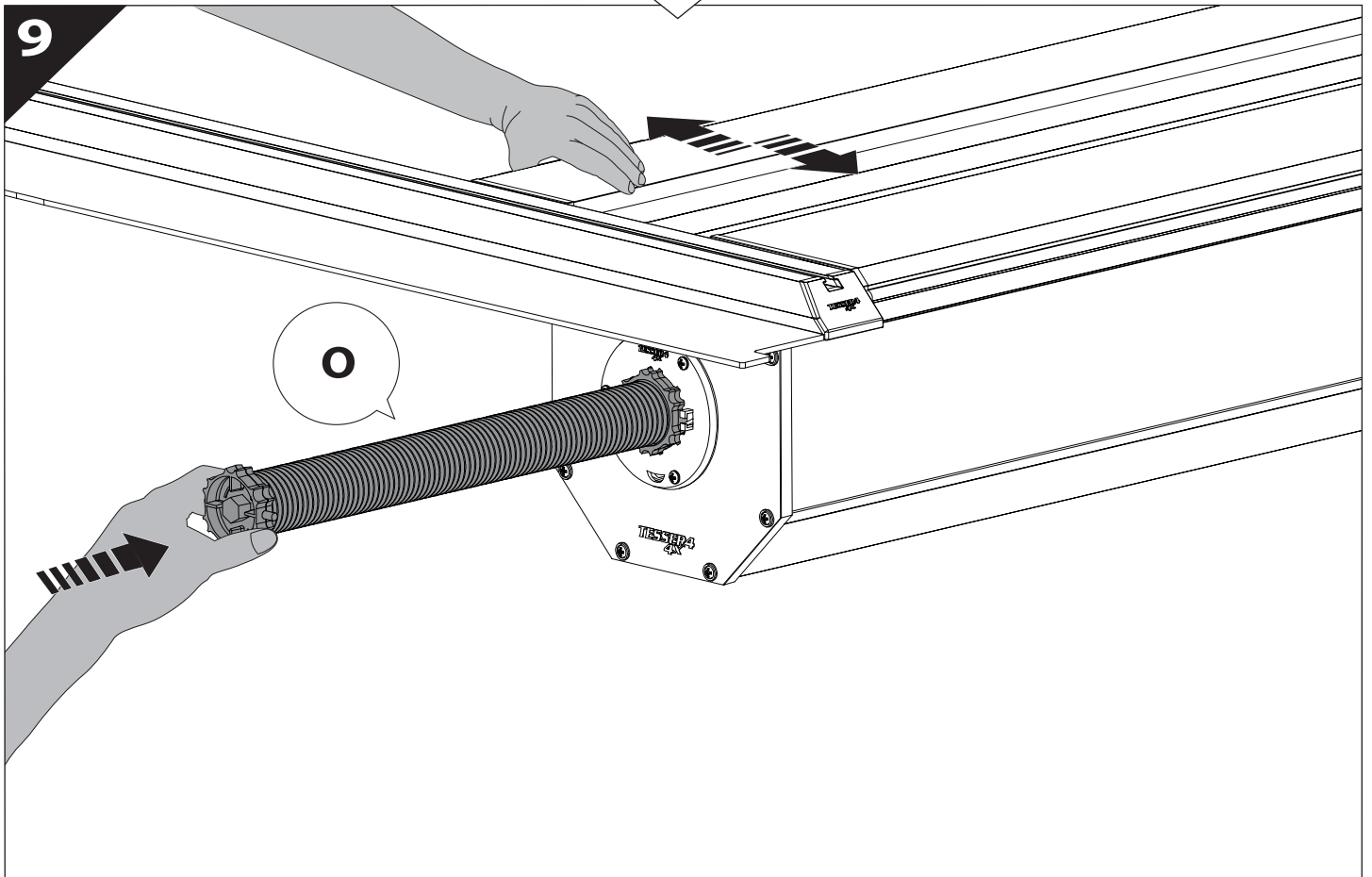
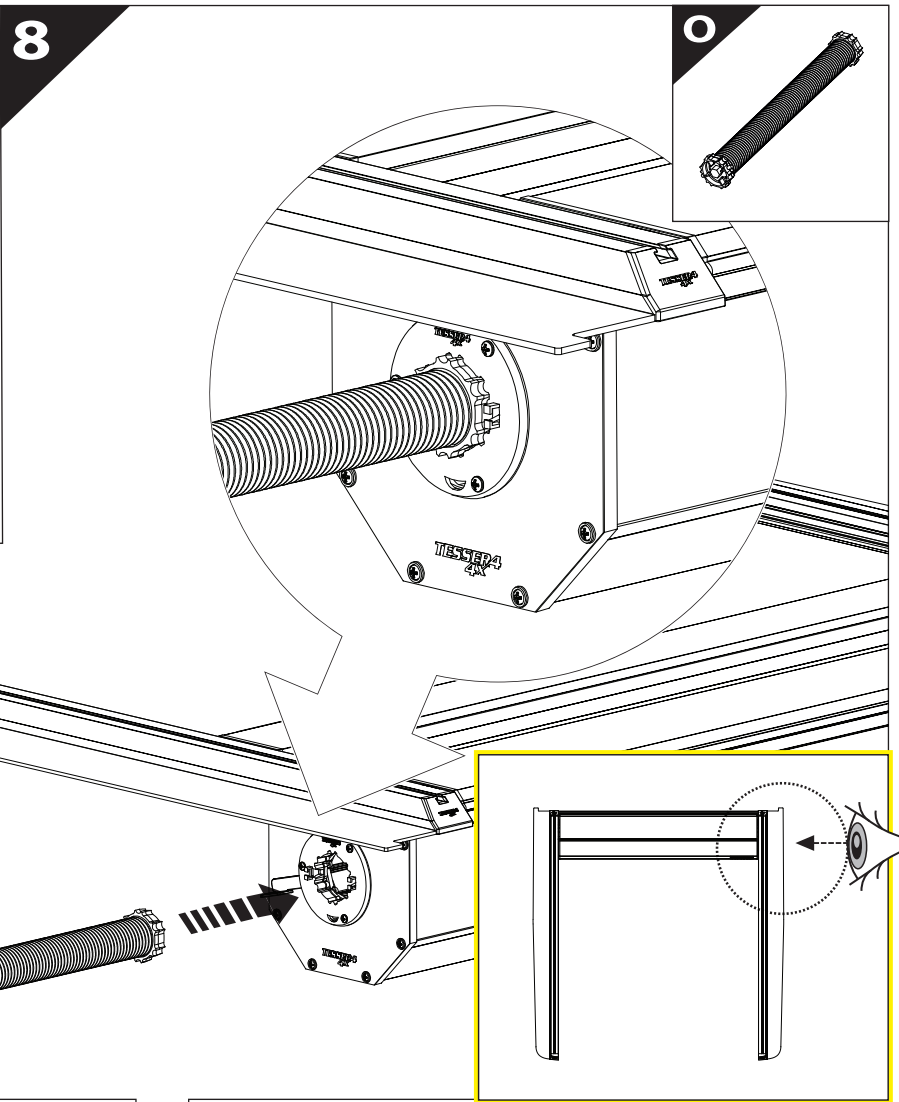
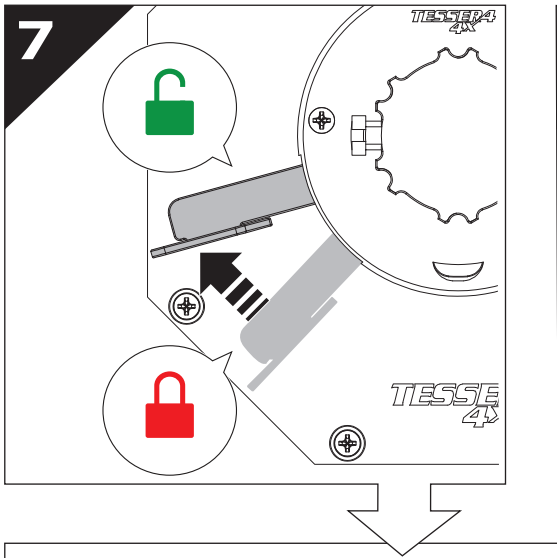
3



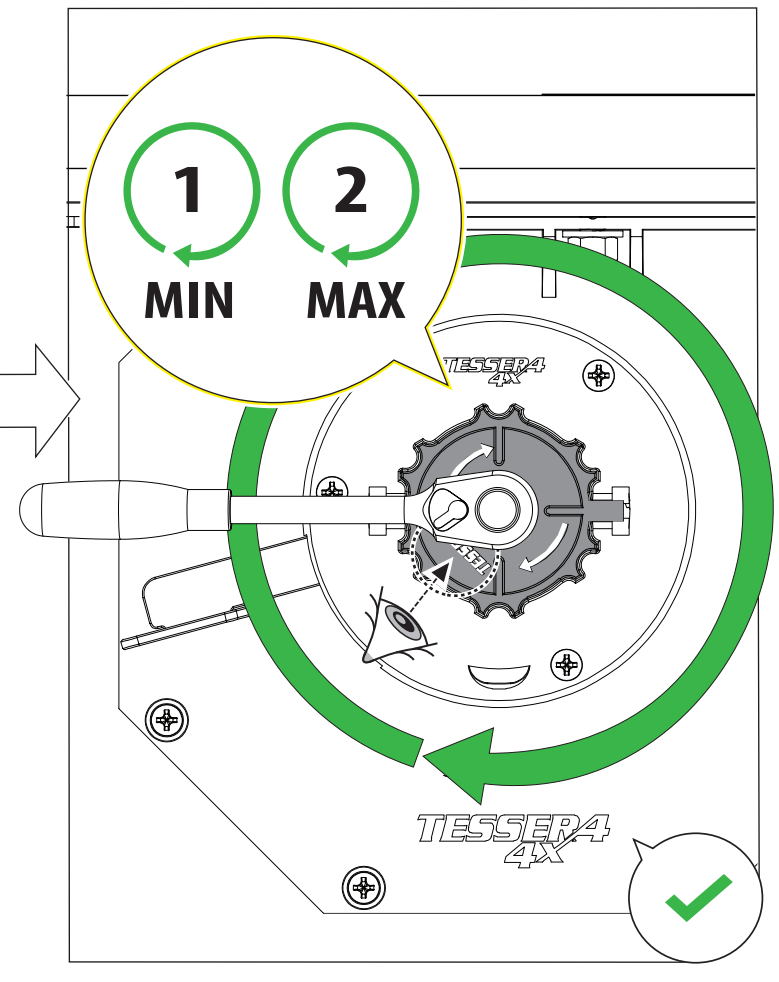
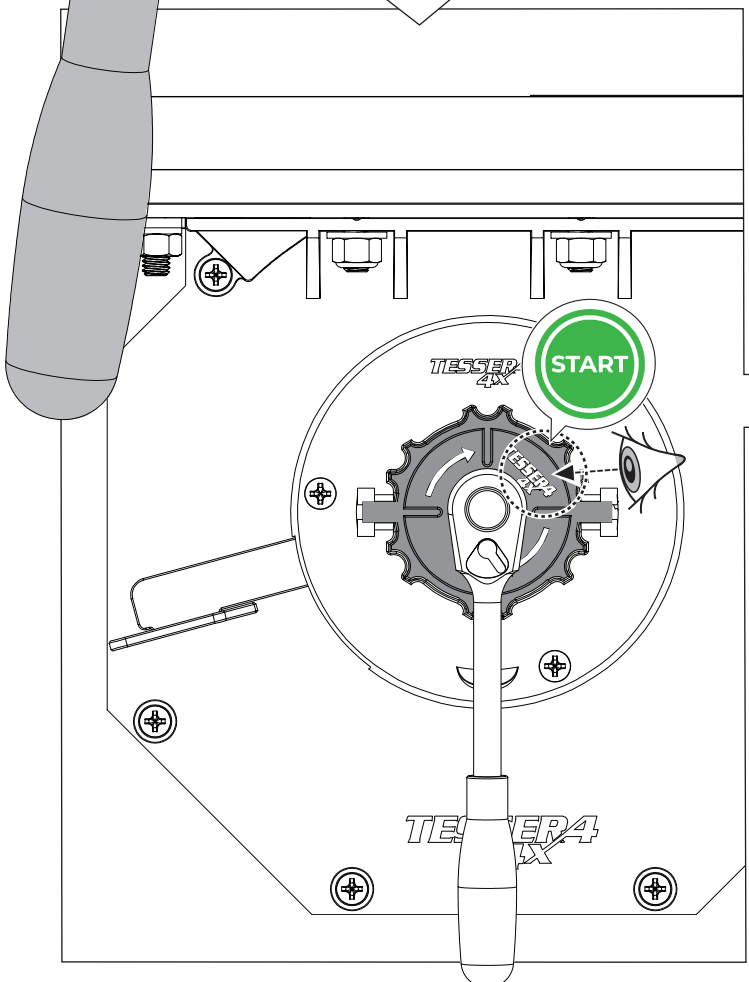
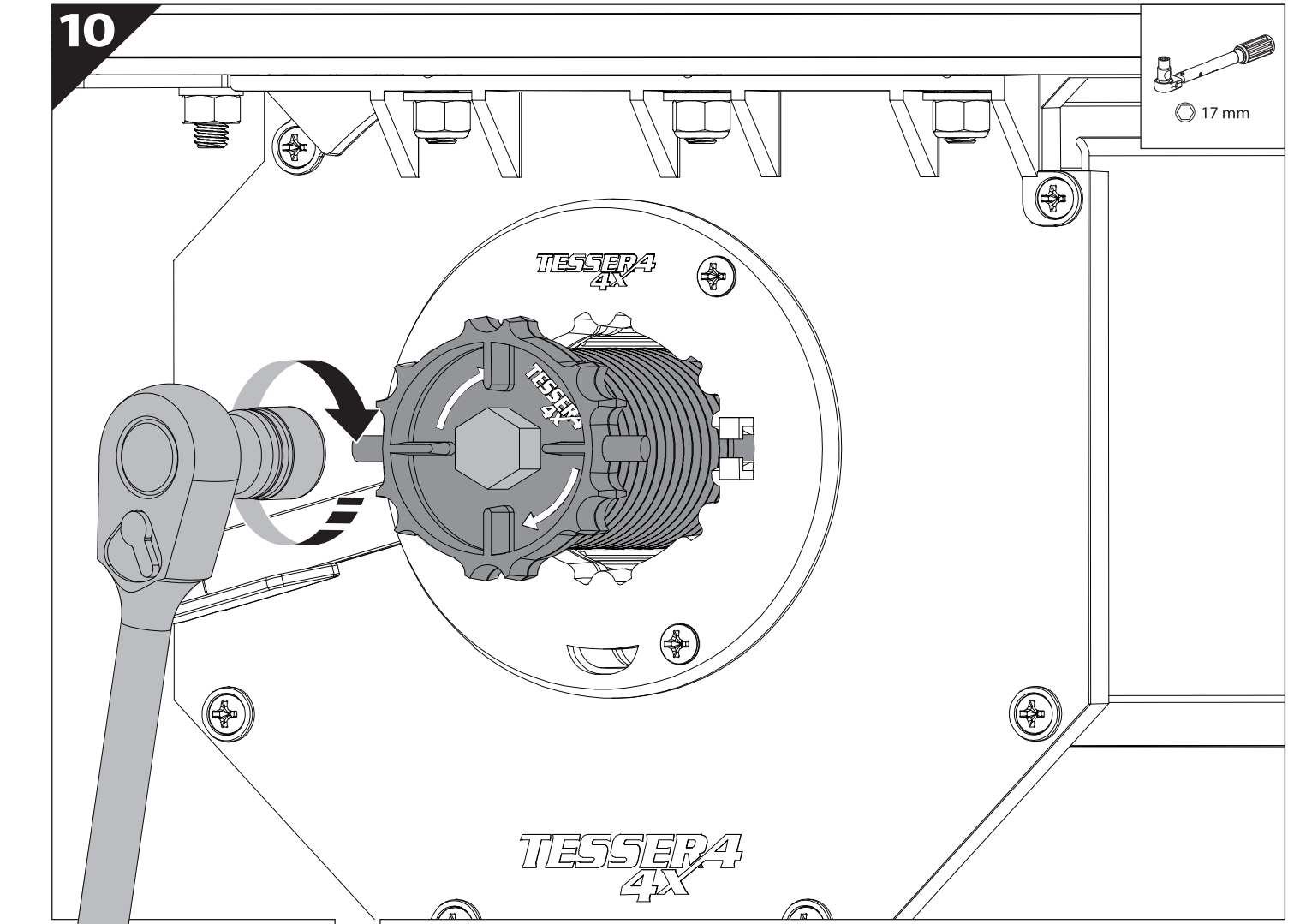
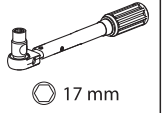
4

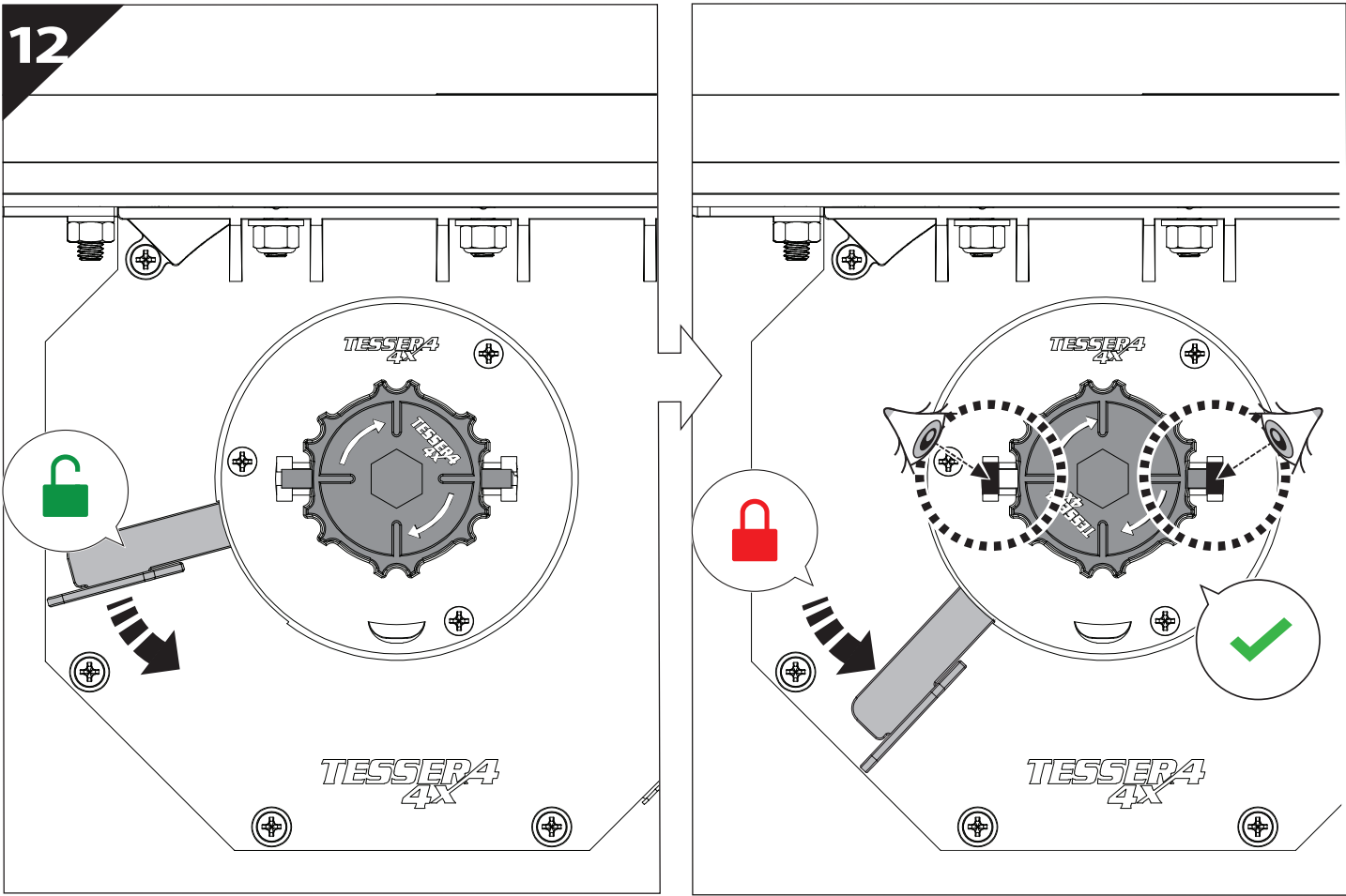
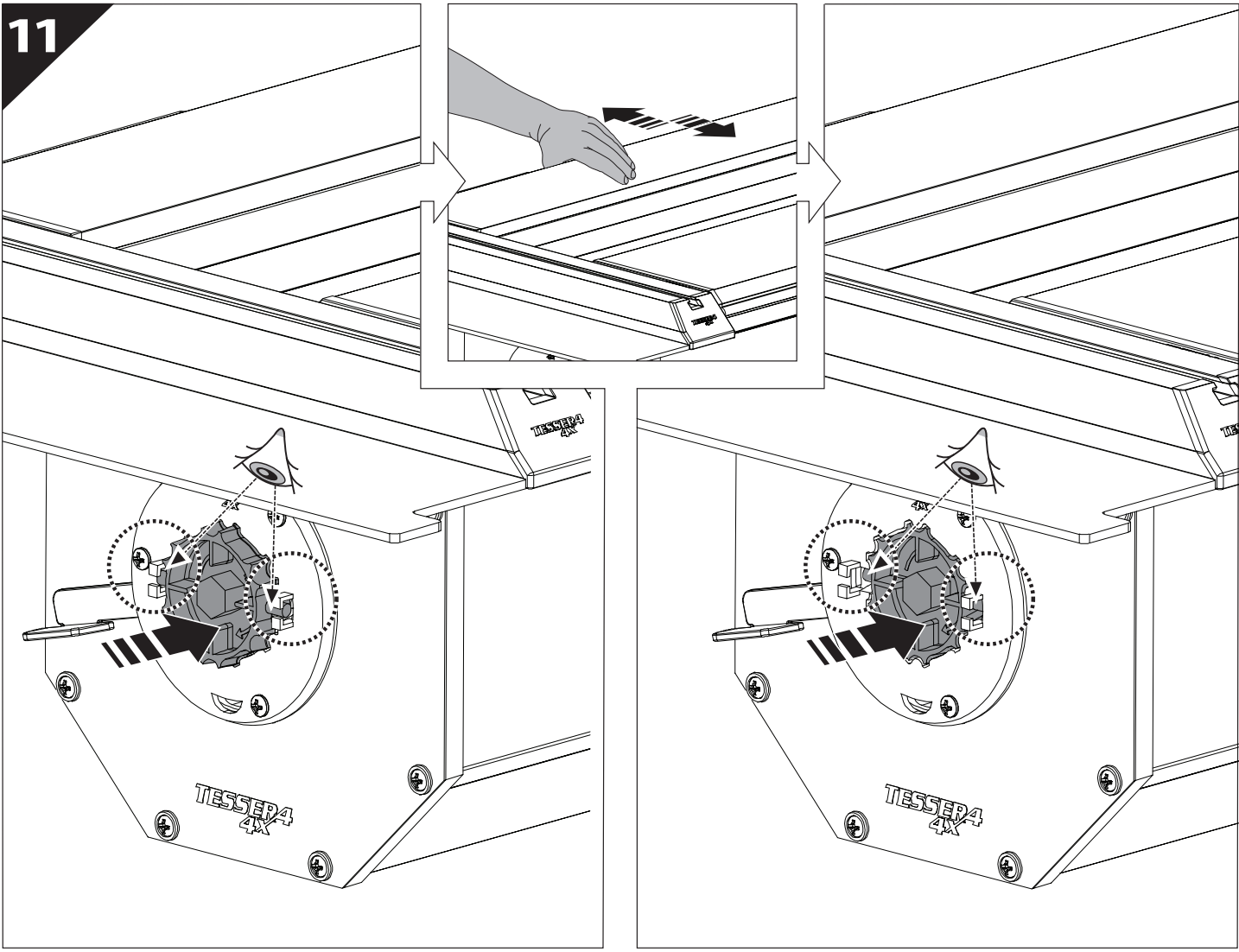




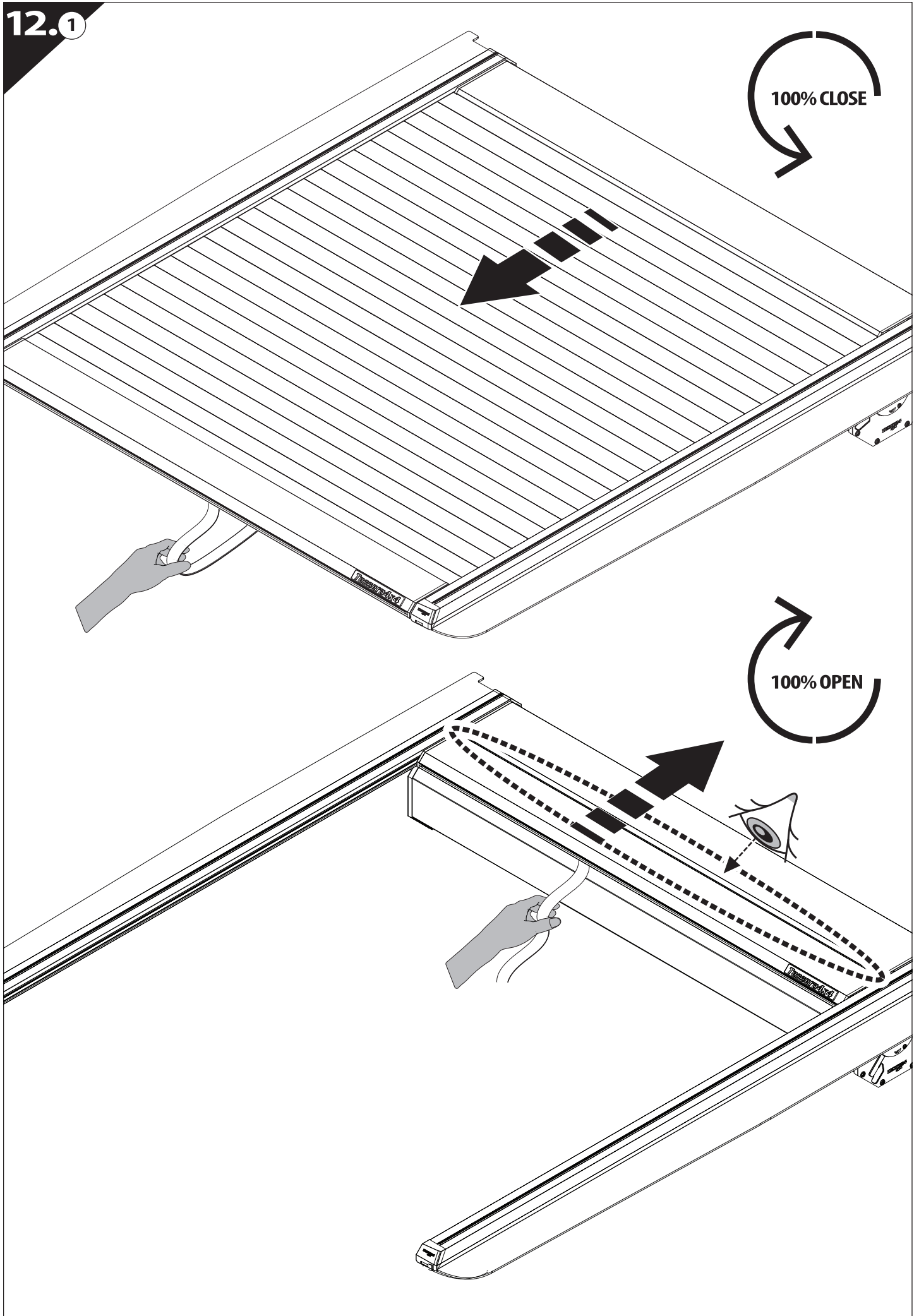


10





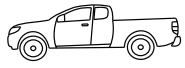
12.0



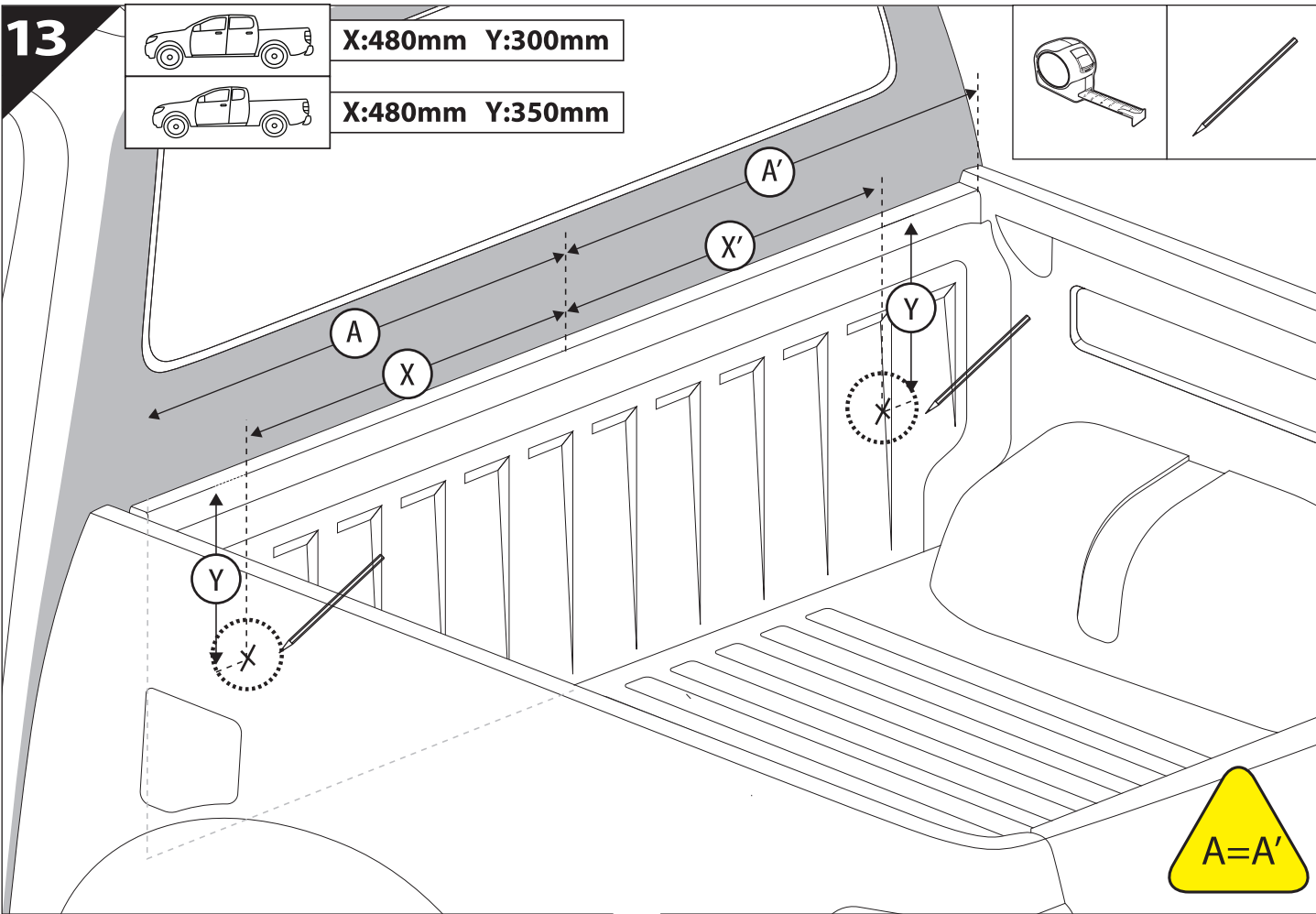
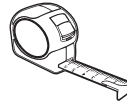
13



X:480mm Y:300mm



X:480mm Y:350mm



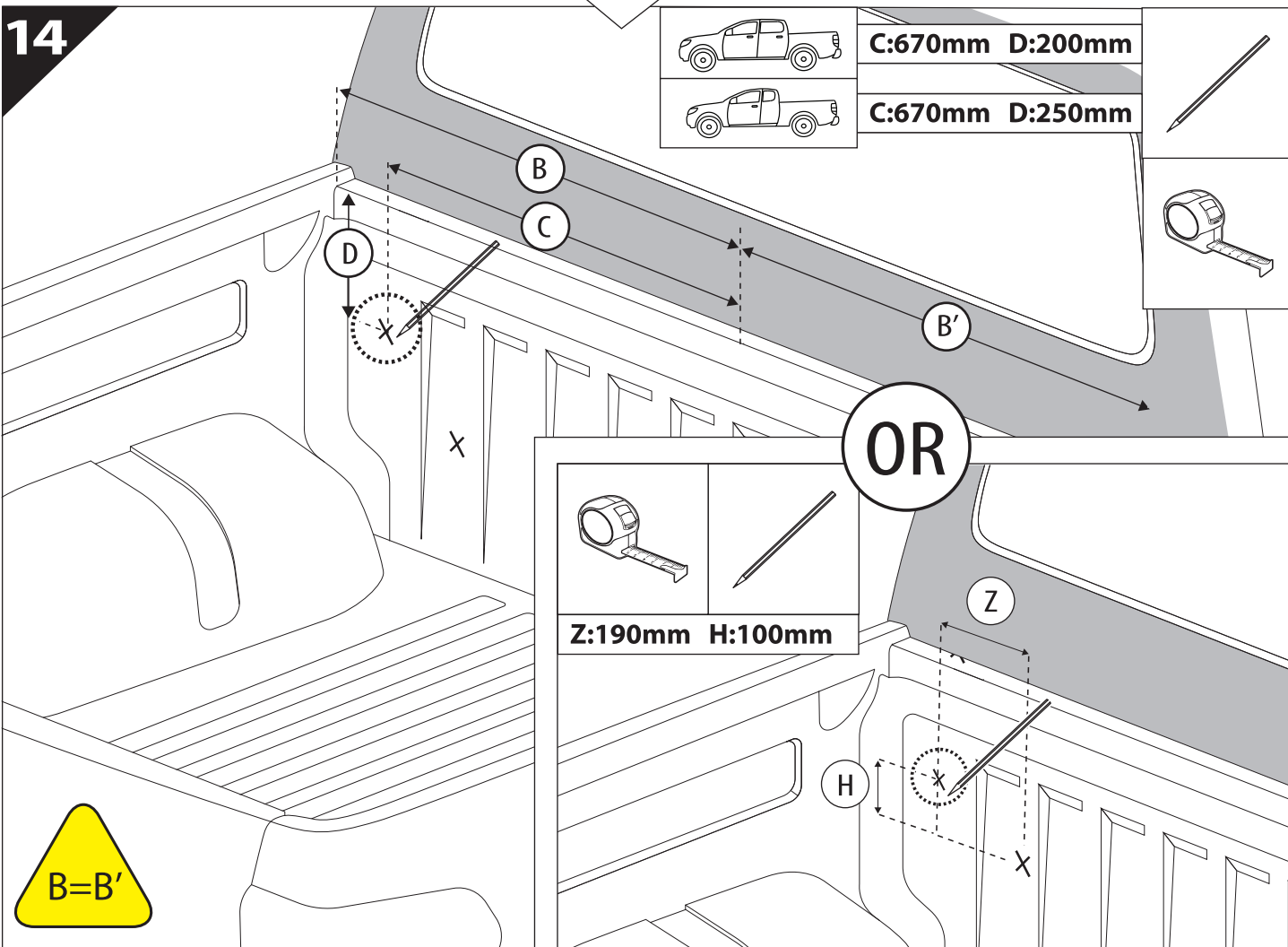
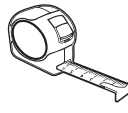
14

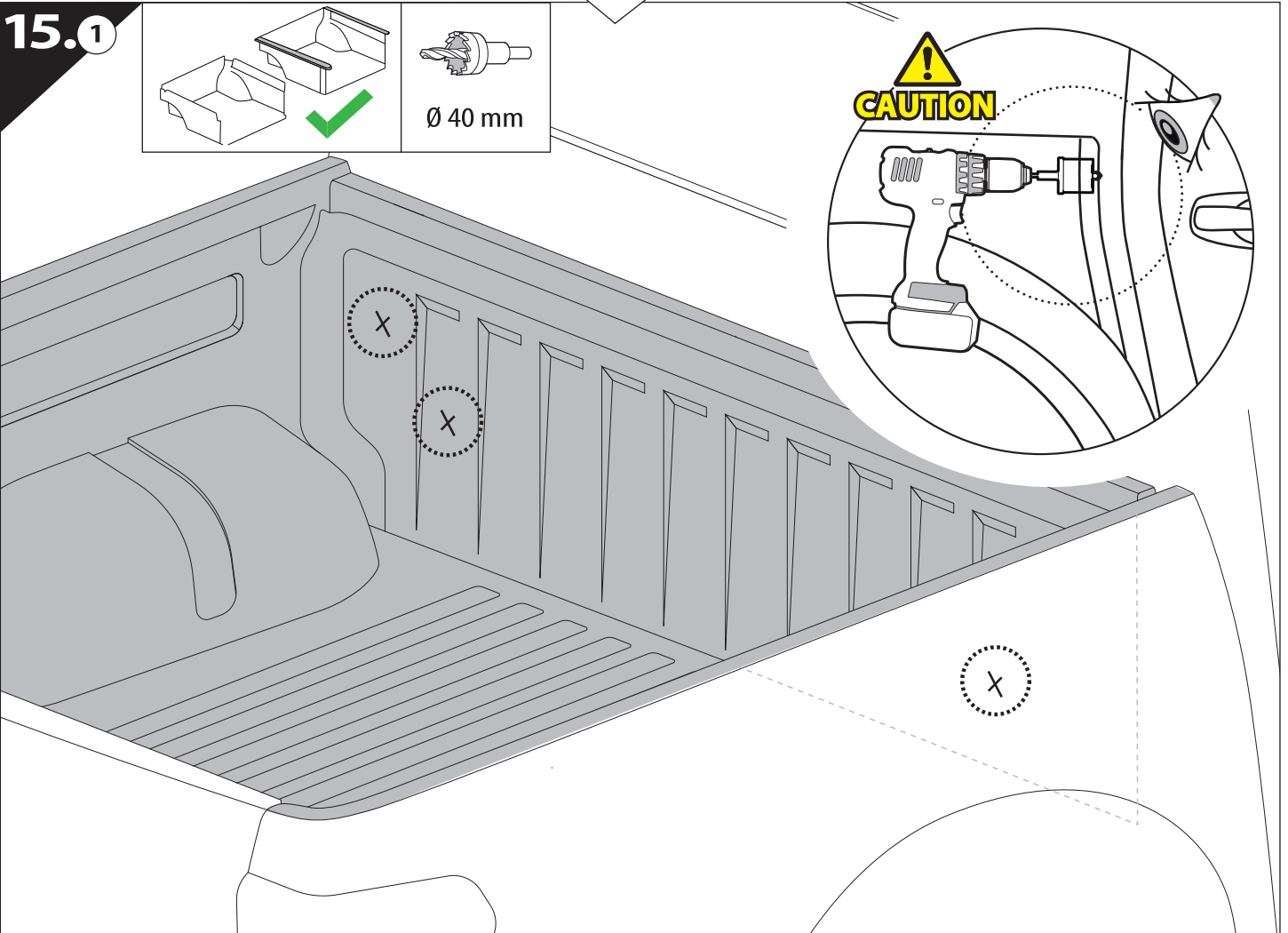
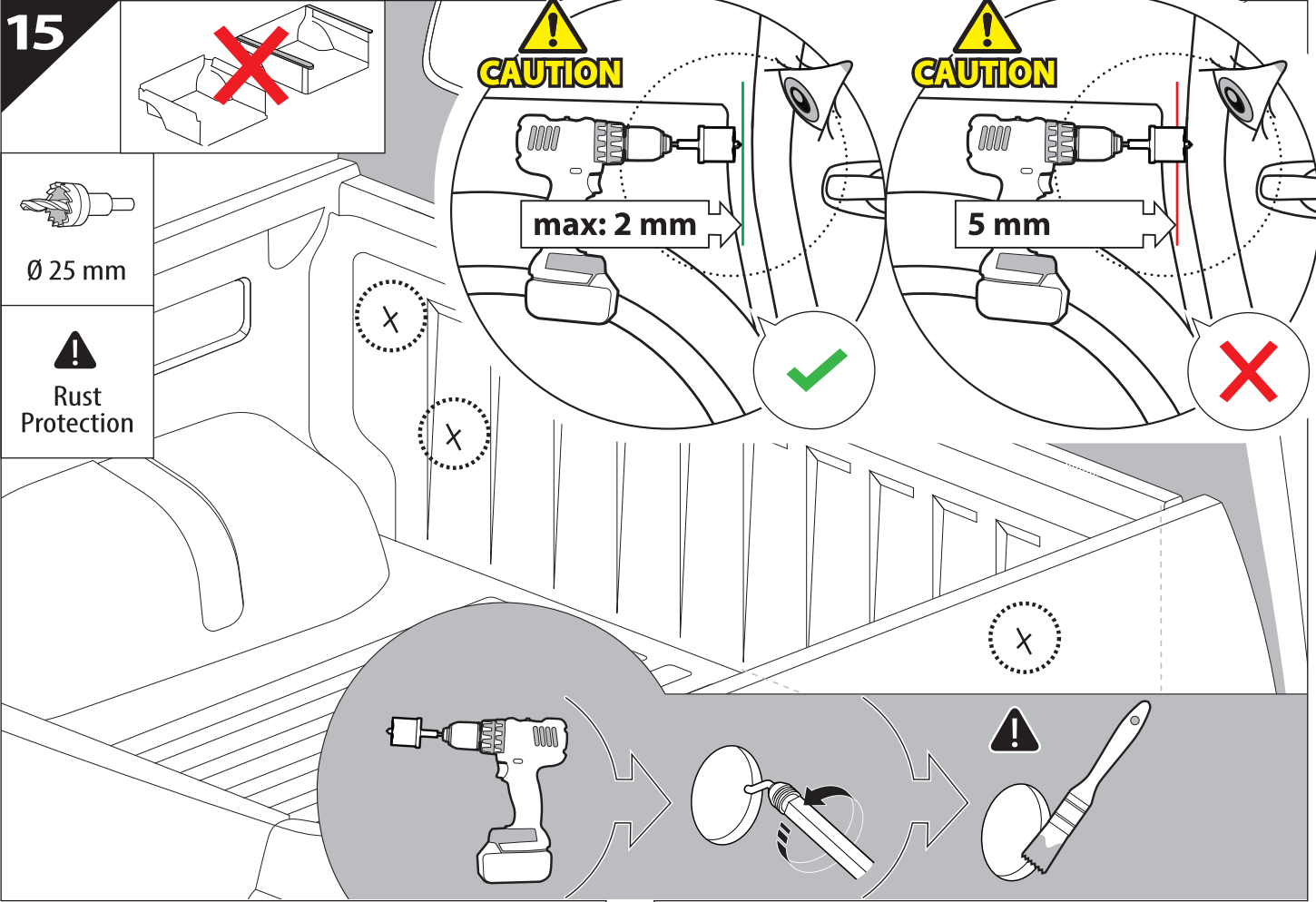


C:670mm D:200mm

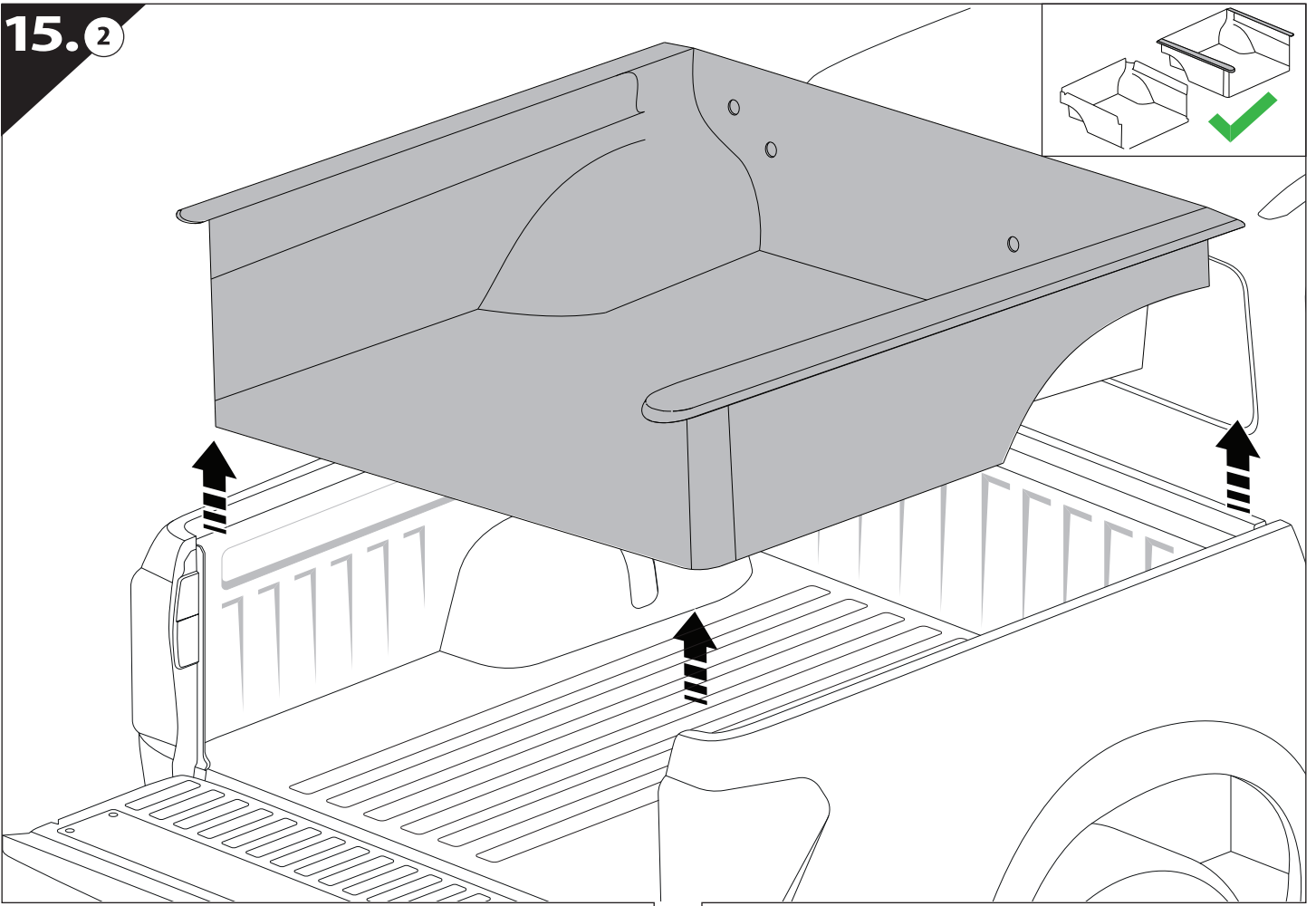


C:670mm D:250mm

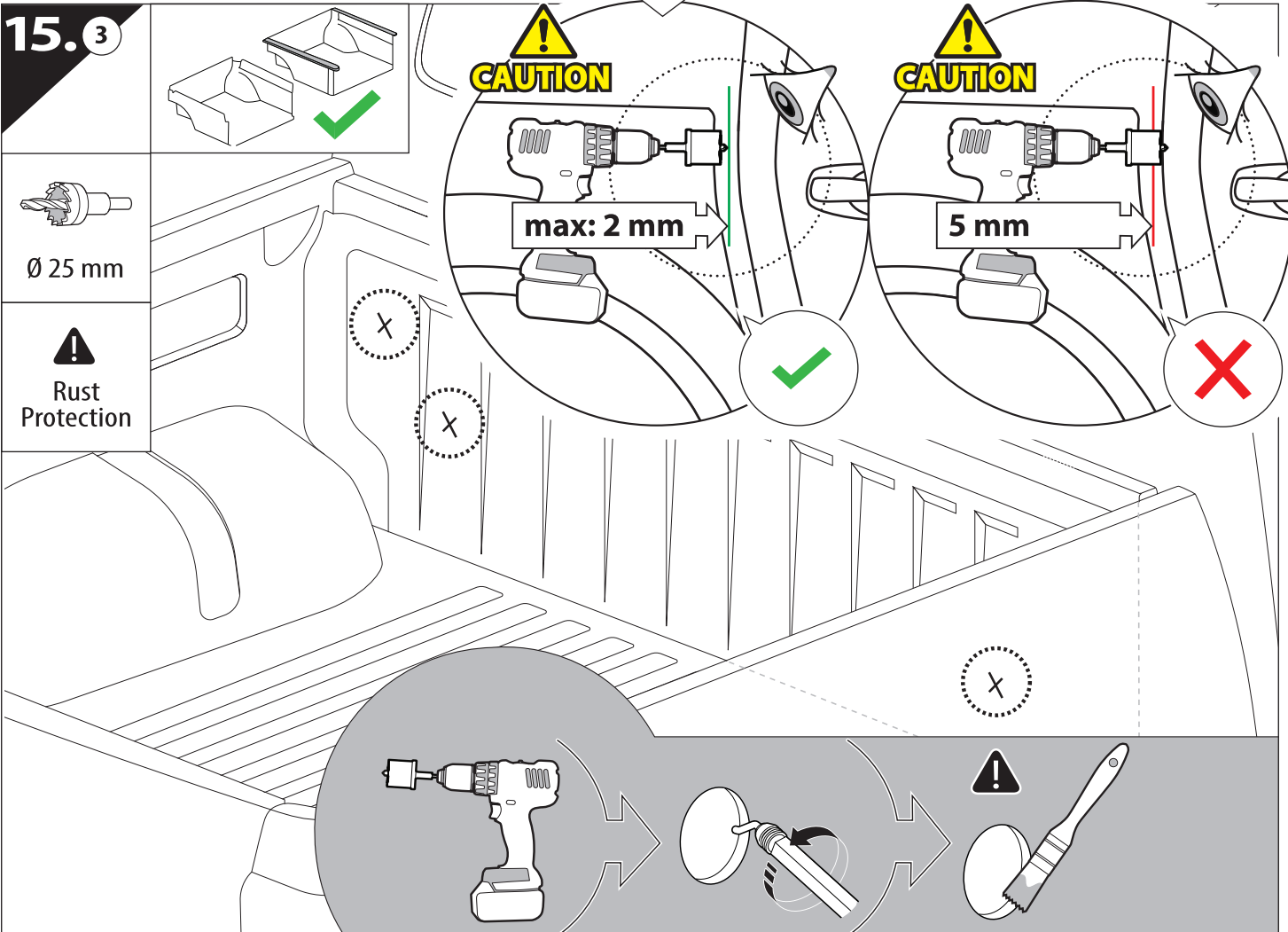




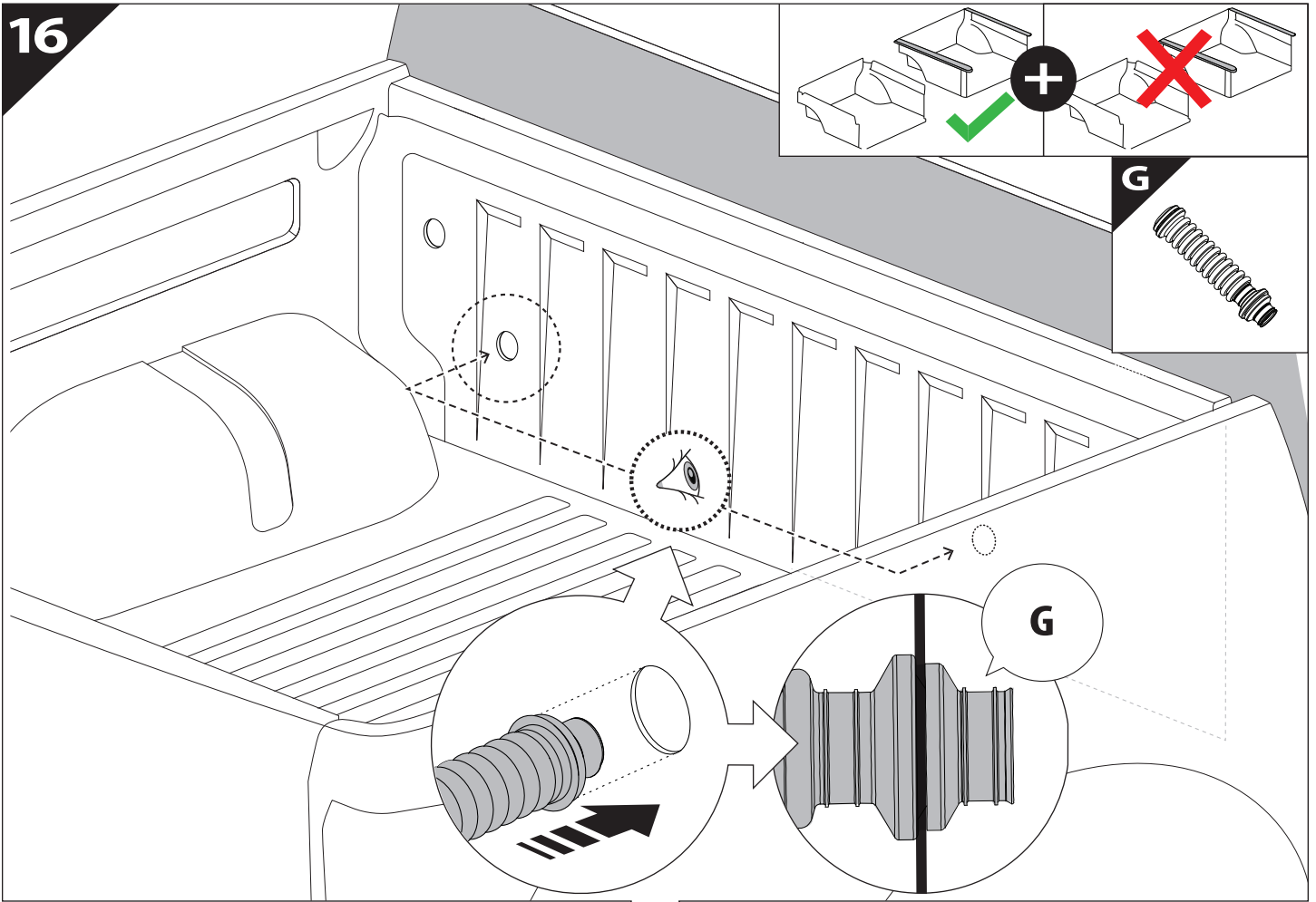
15.2



15.3

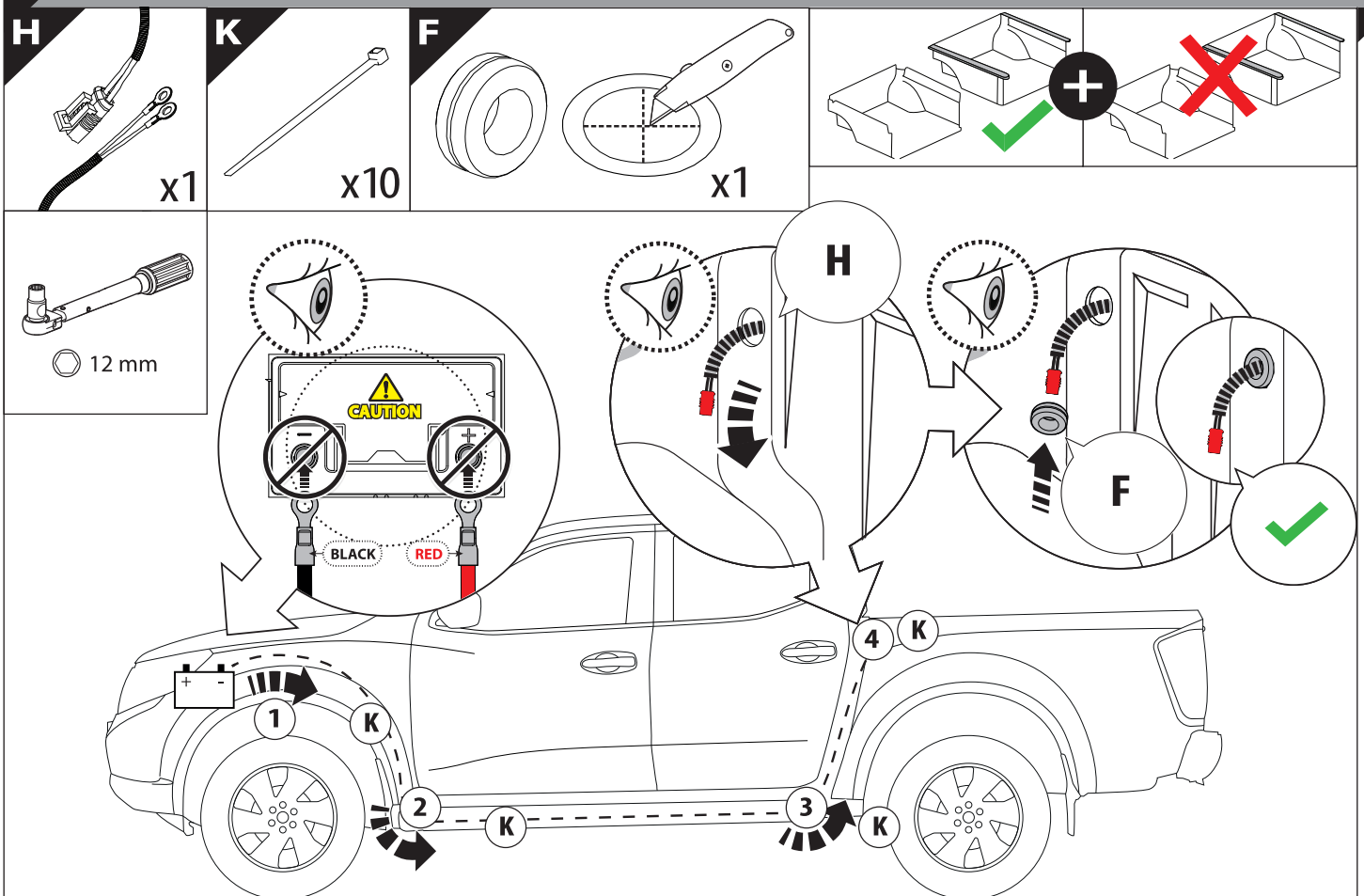


16

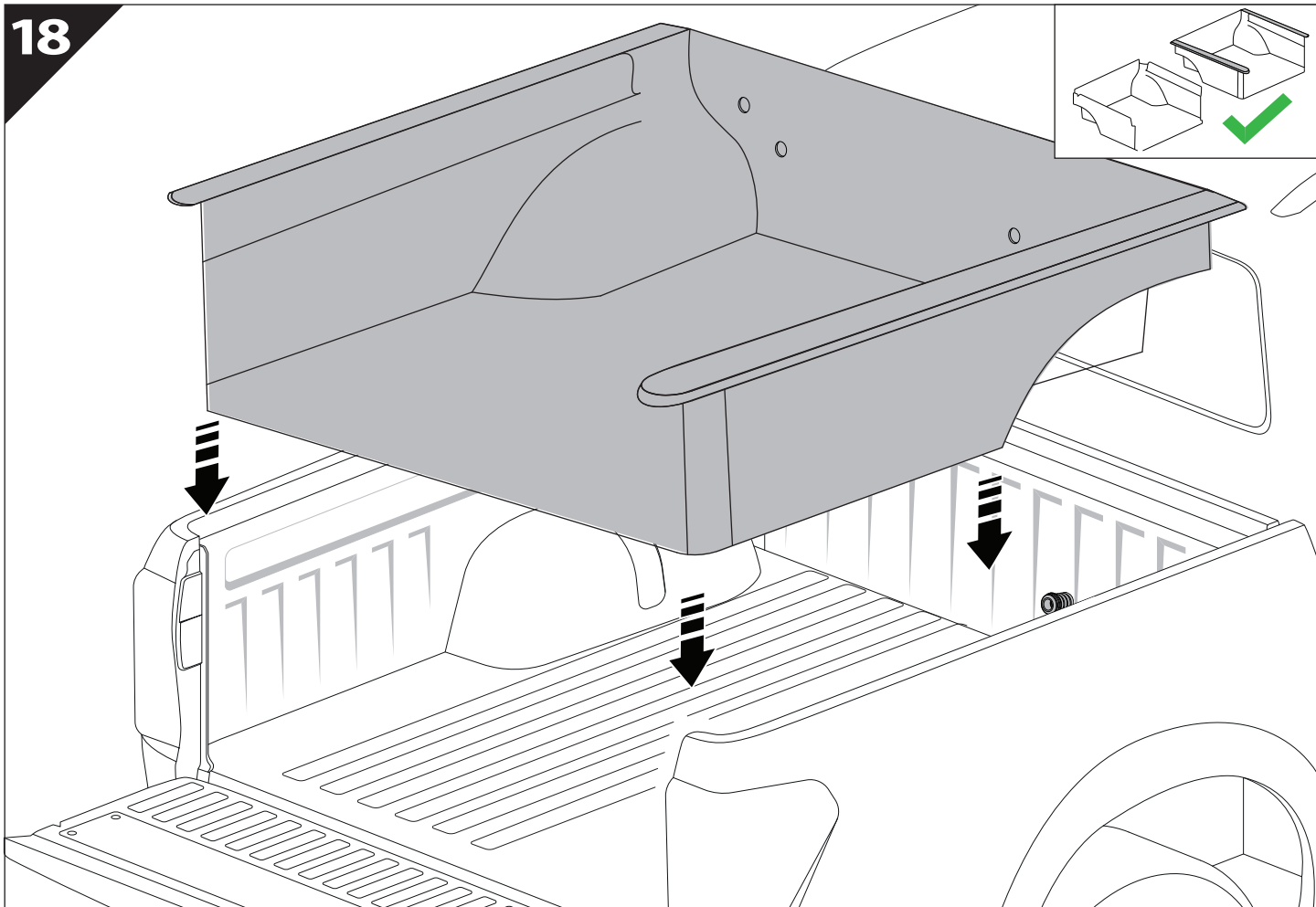


17

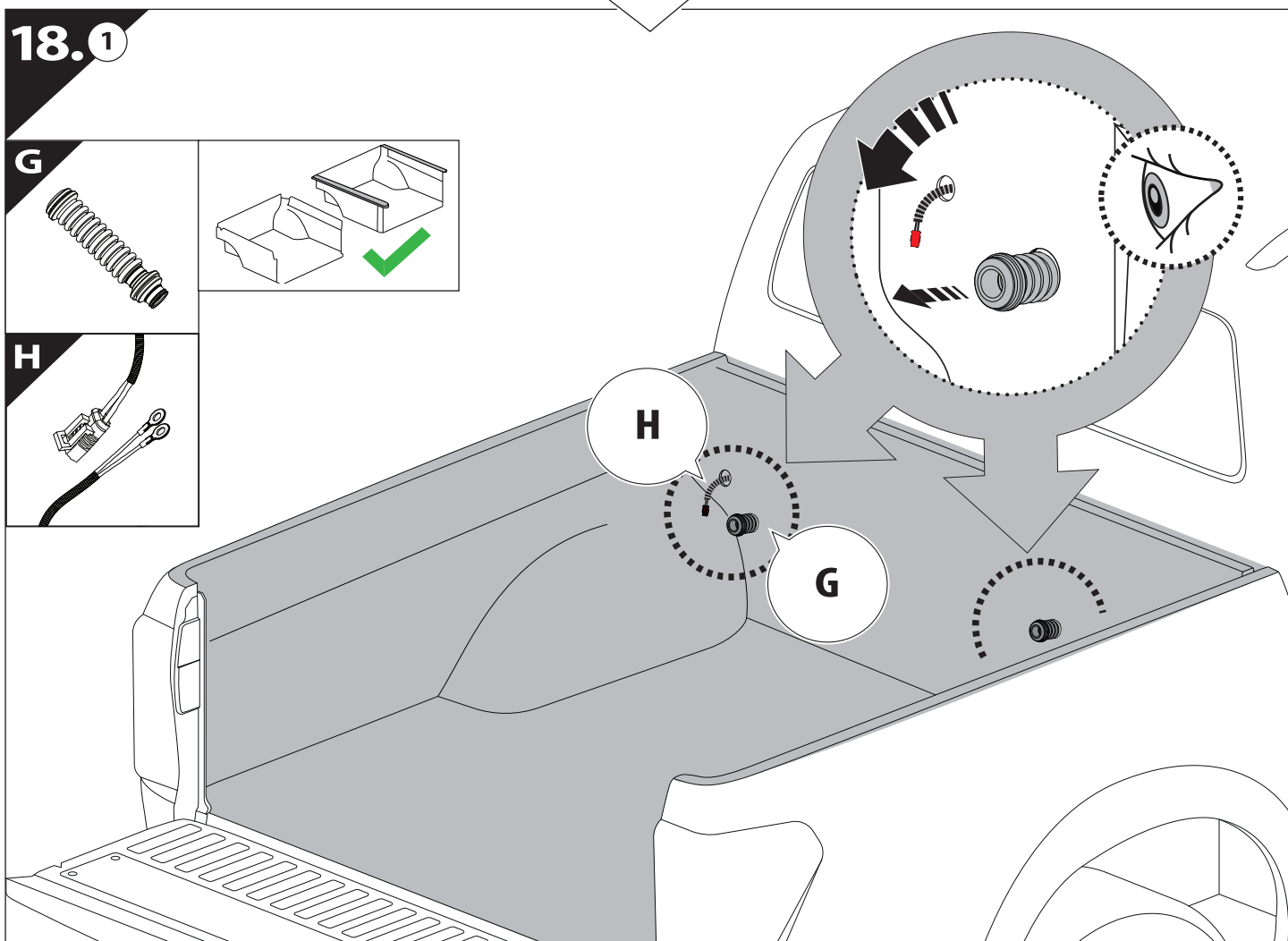
Only to be installed by authorized personnel

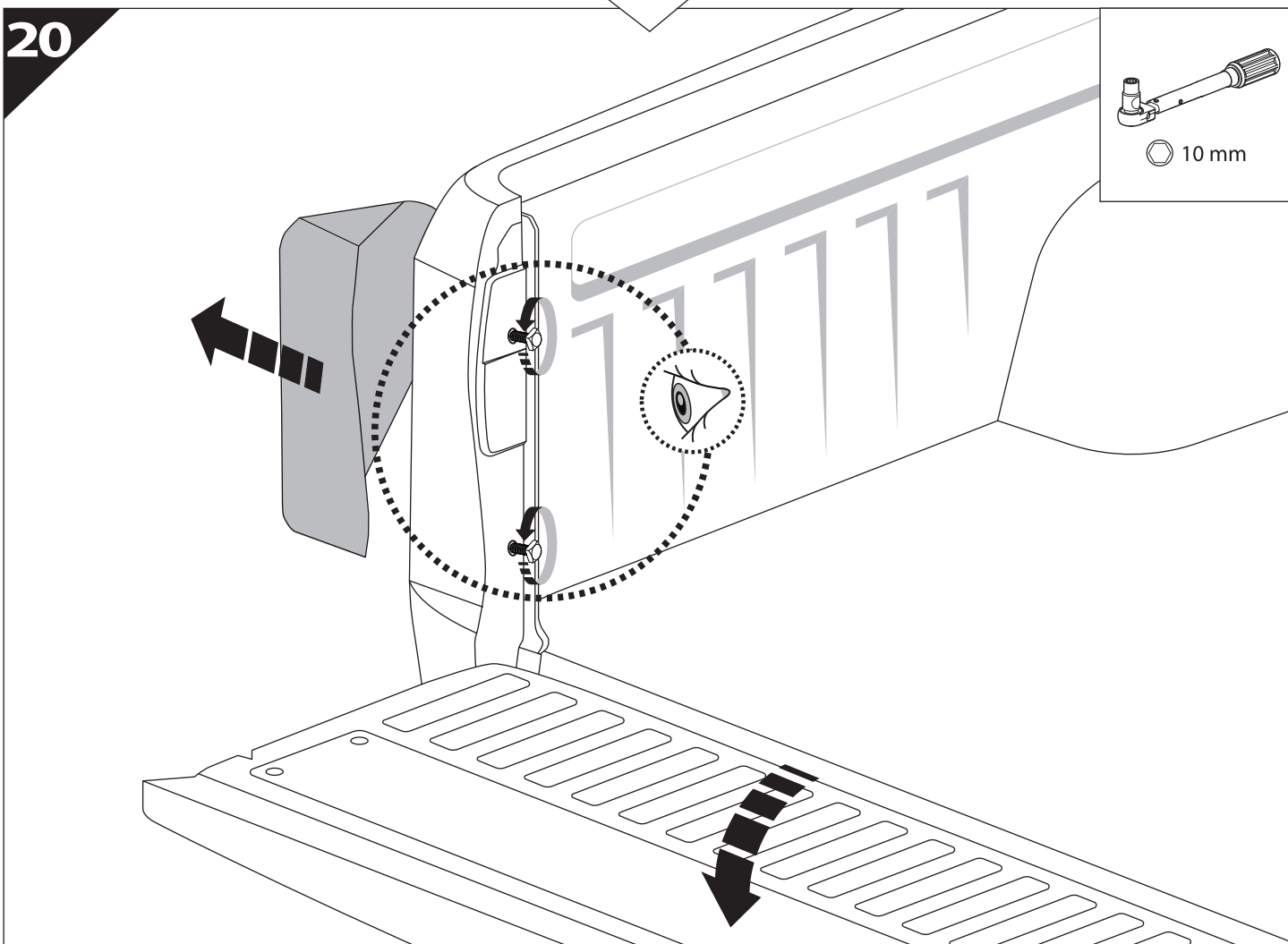
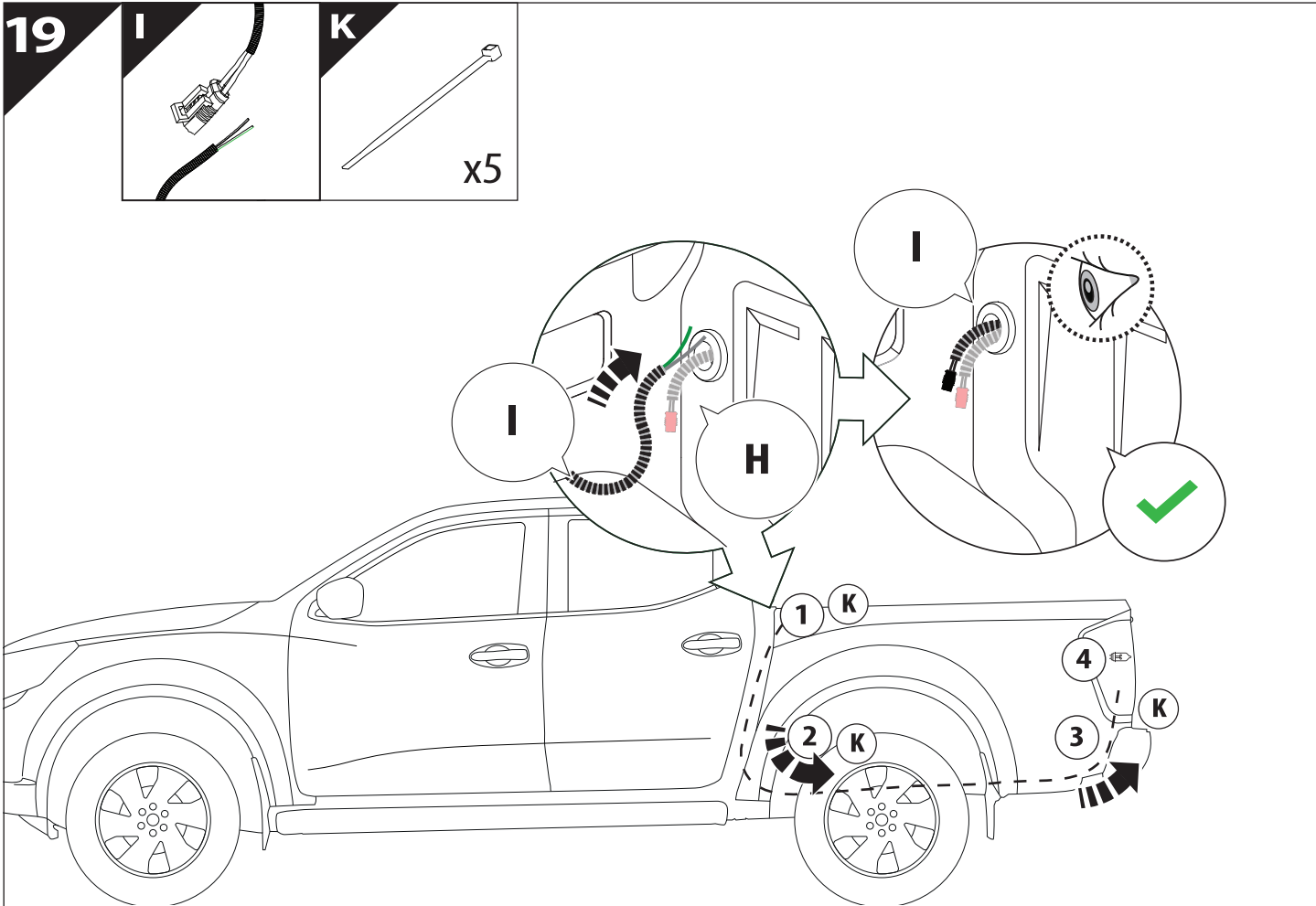


18



18.0





21

I **J** x2

10 mm

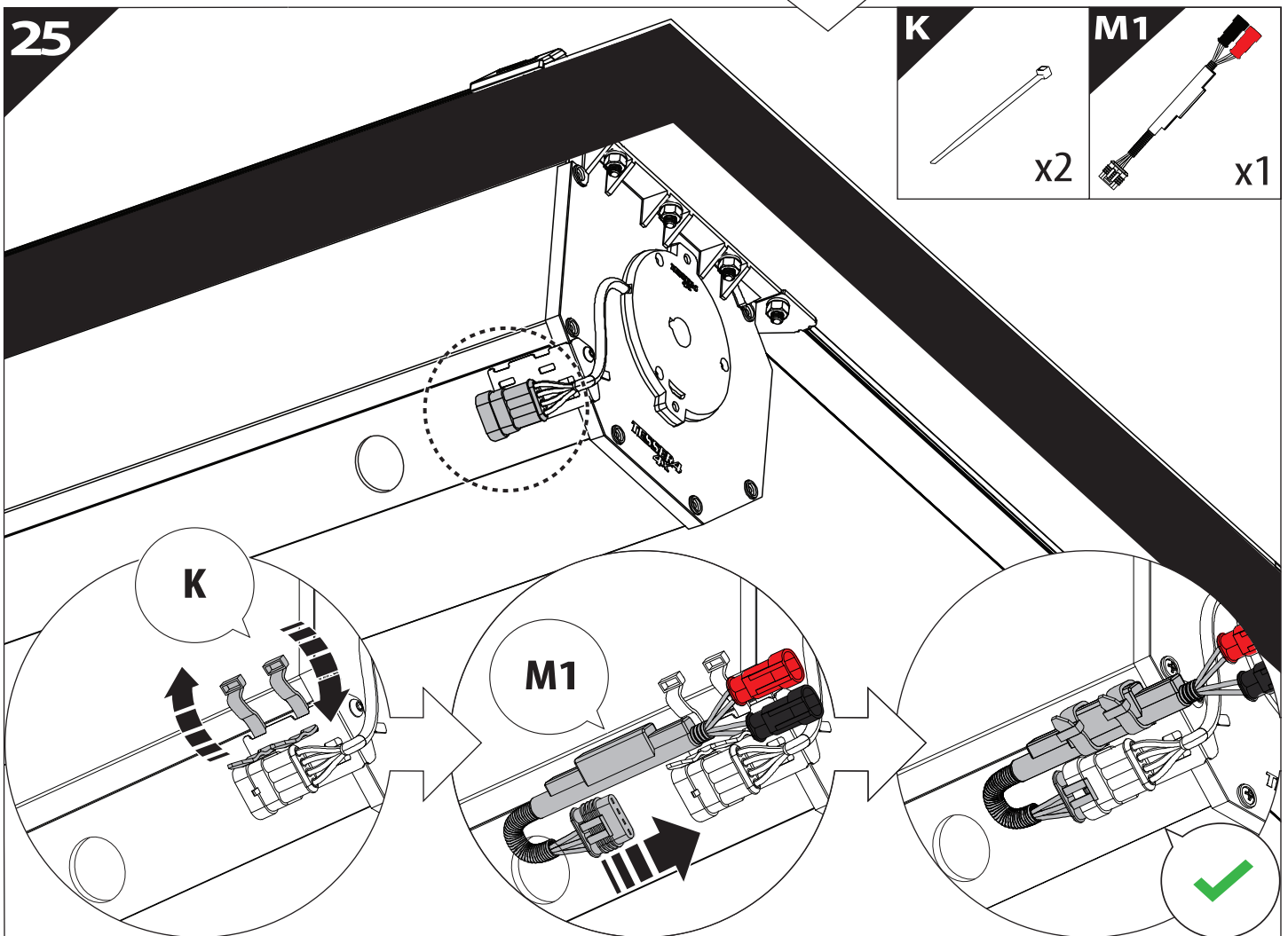
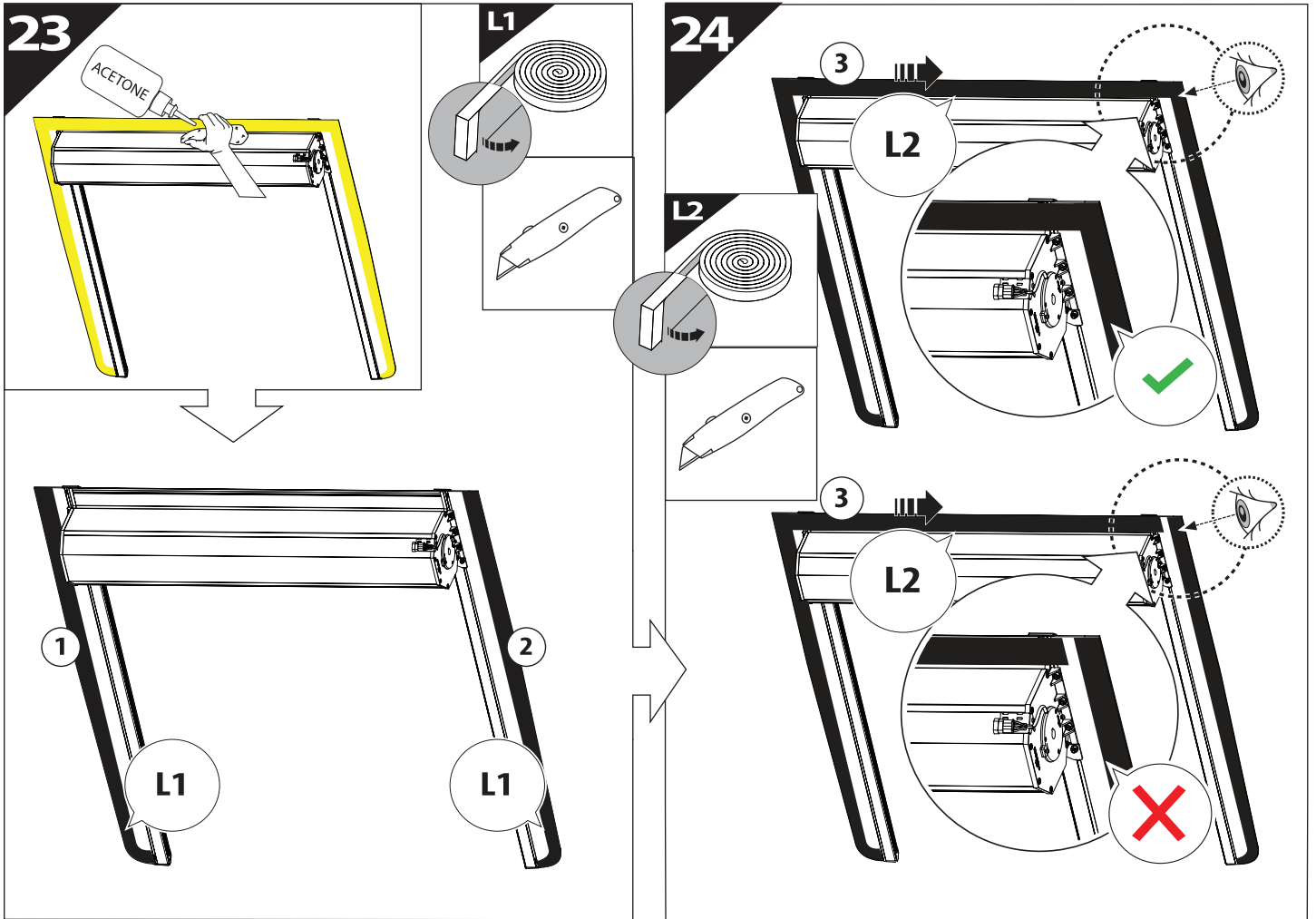
4 Nm

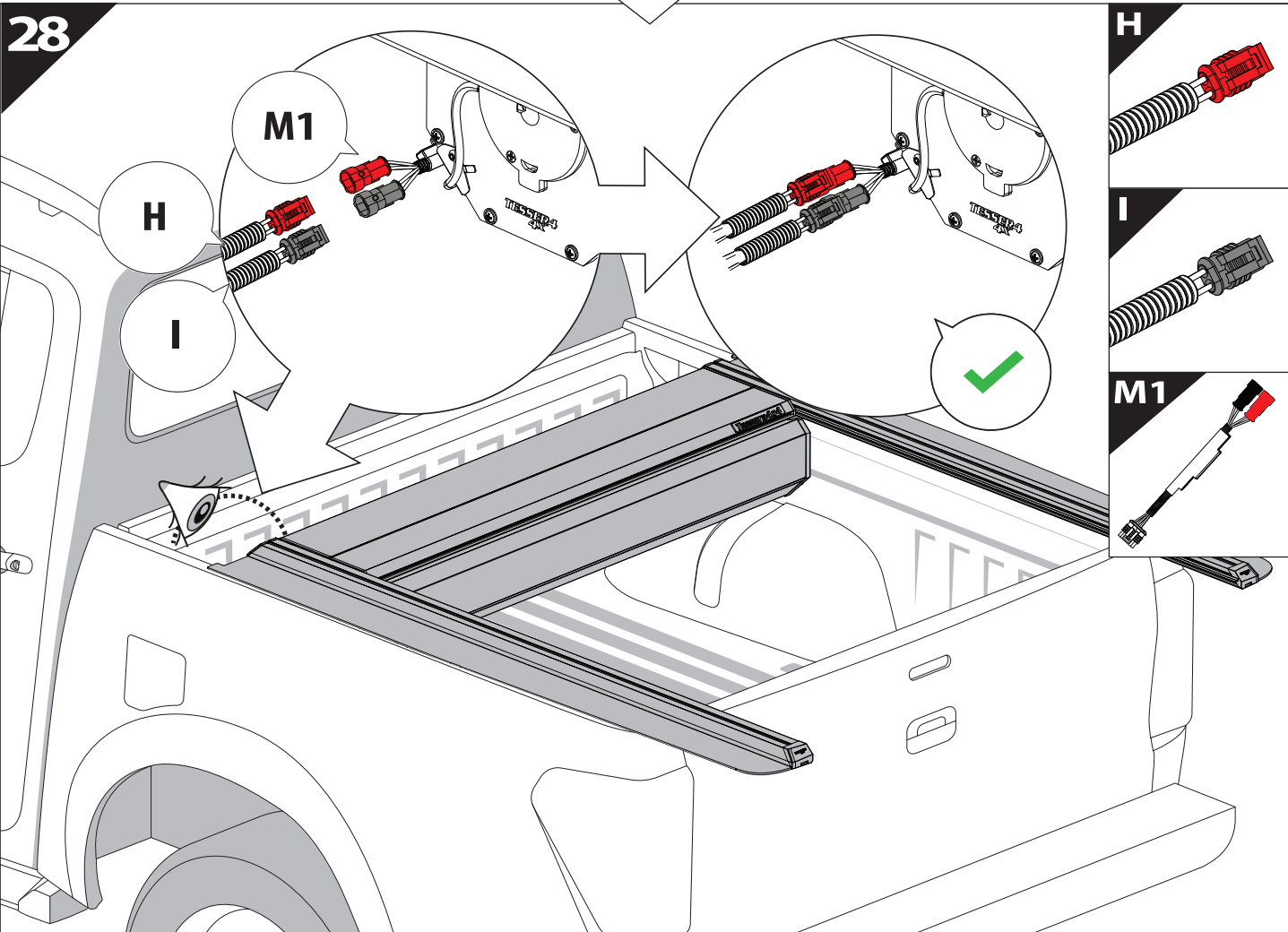
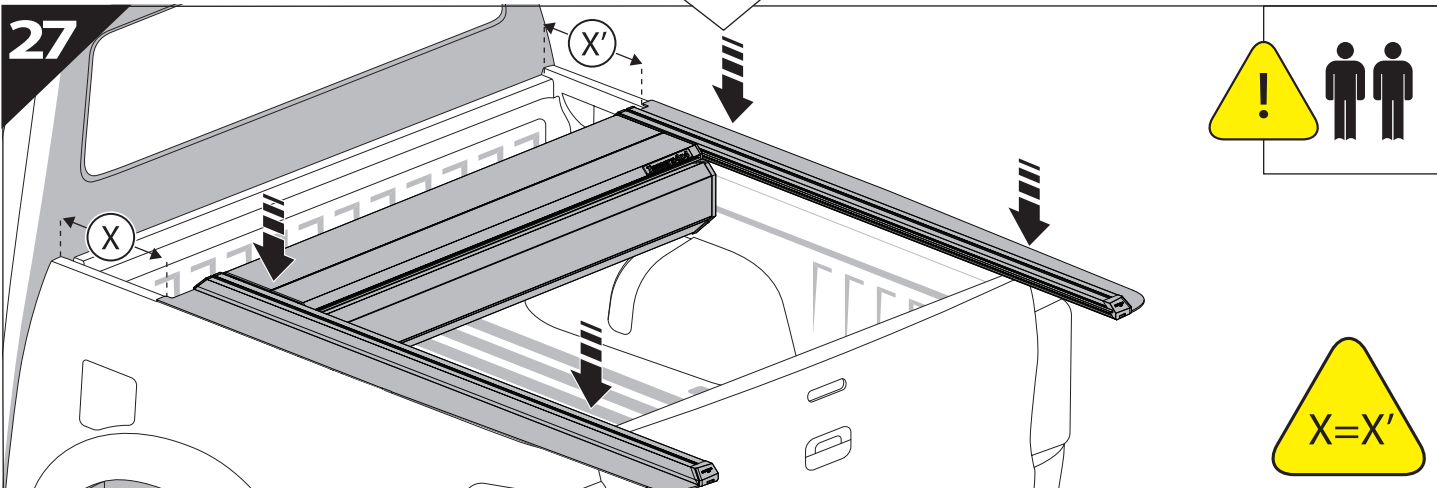
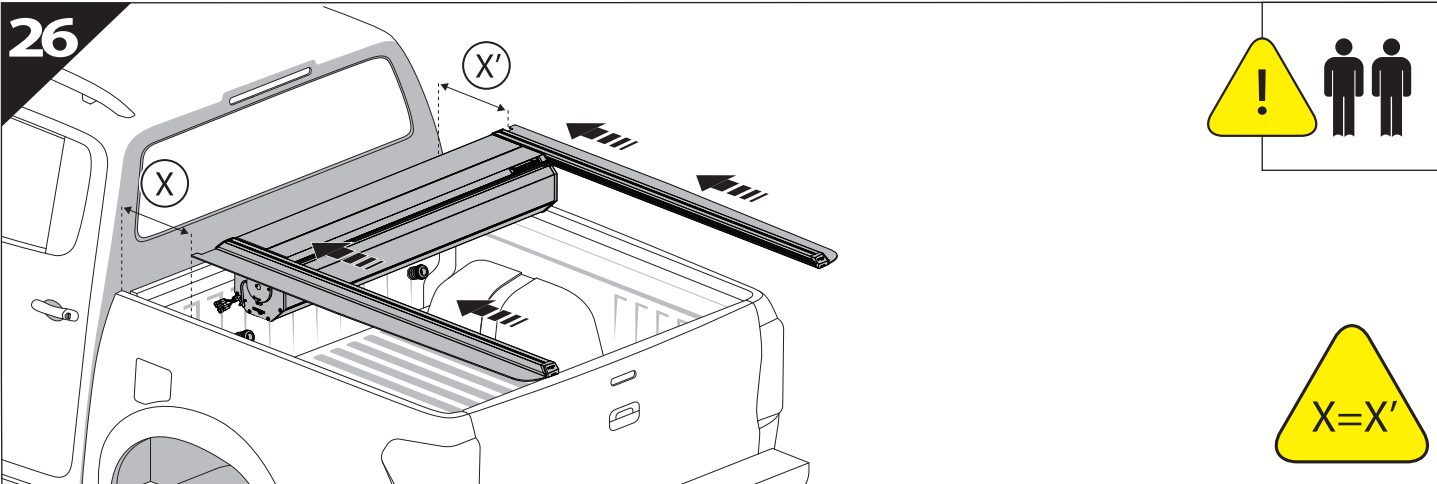
MODEL YEAR	LIGHTS	CAR	TESSERA ROLL+
HILUX 2016+/2021+	BEAM		
HILUX 2016+	STOP		
HILUX 2021+	STOP		

22

H₂O

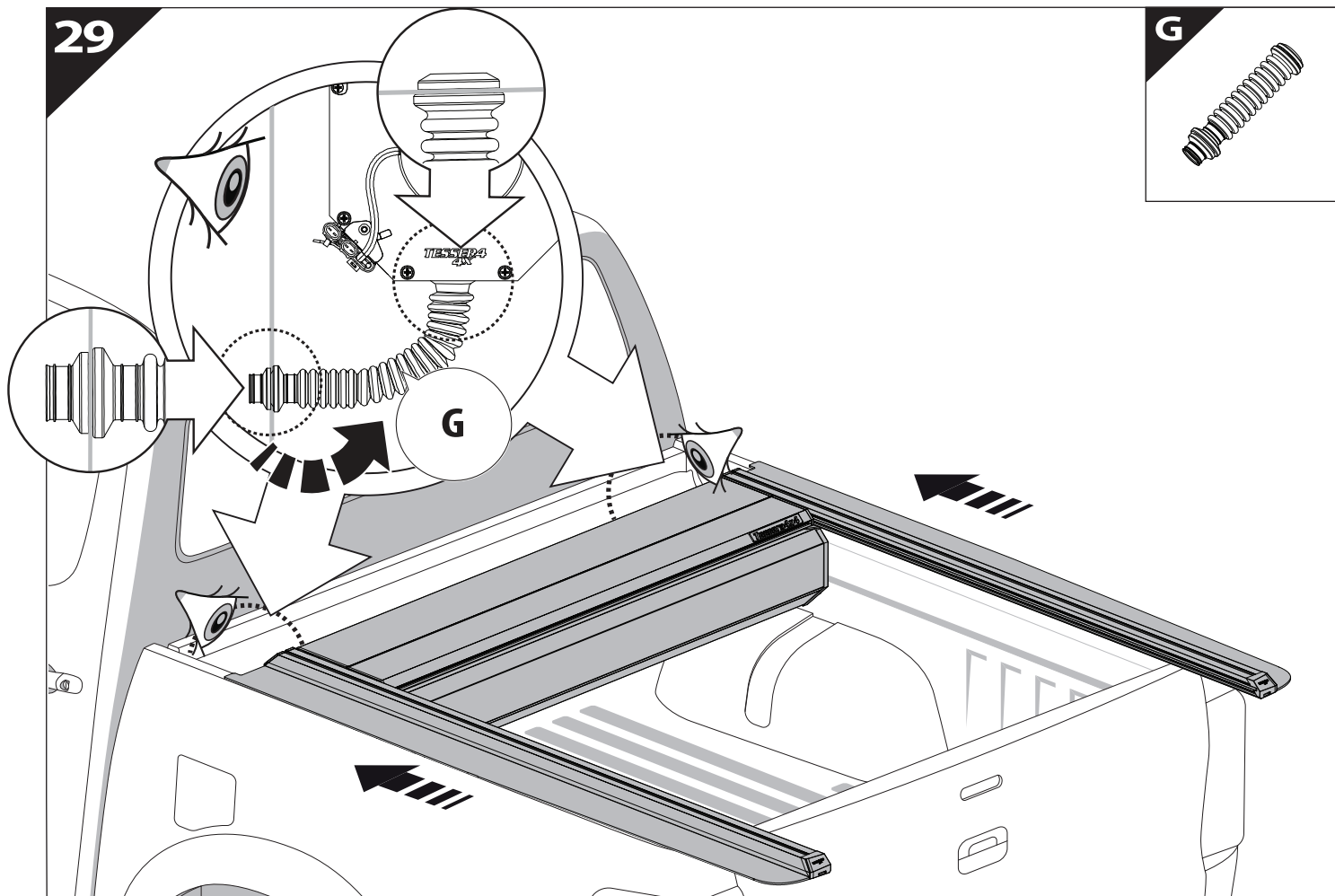
H₂O





29

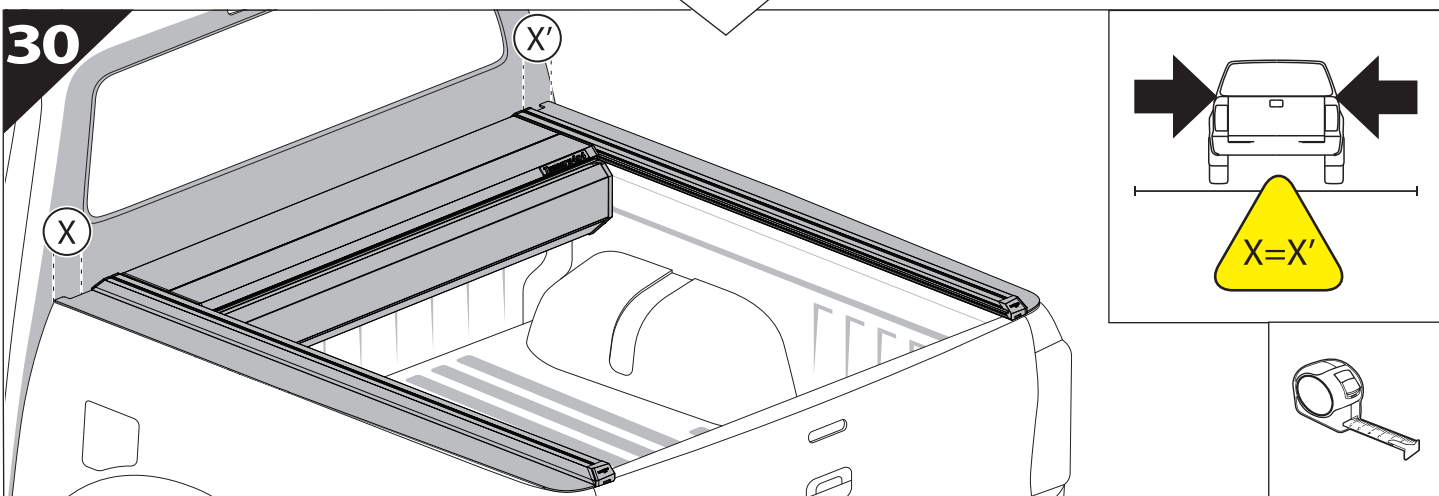
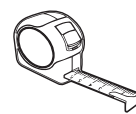
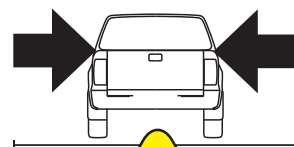
G



30

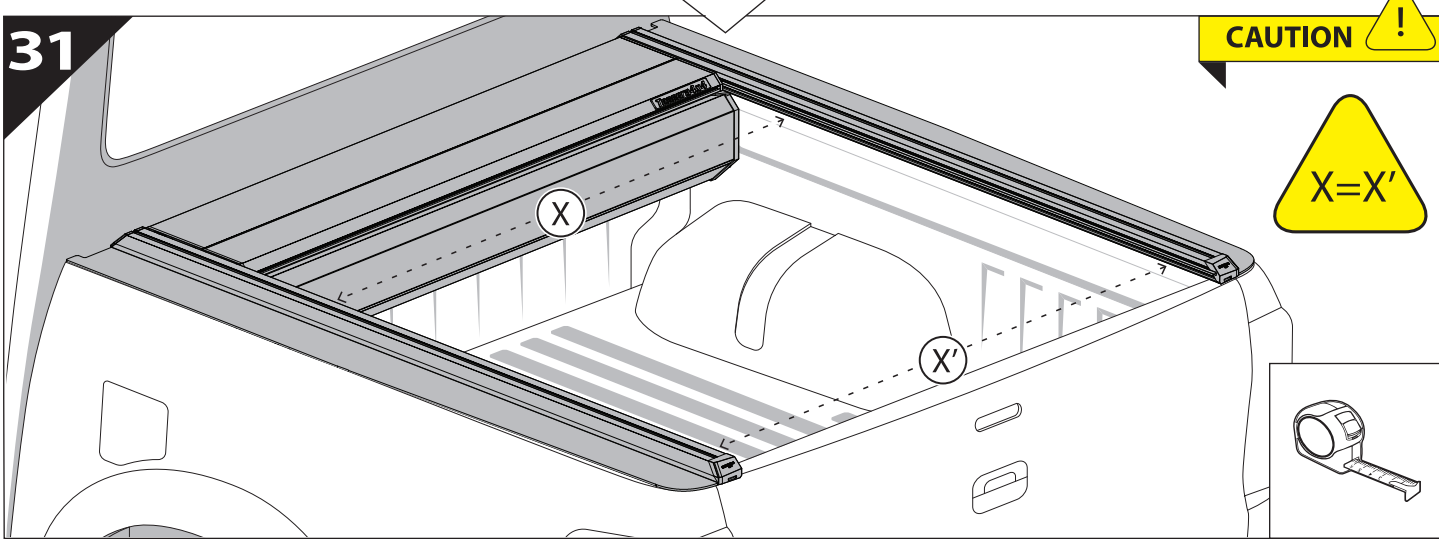
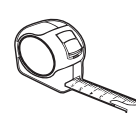
X'

X

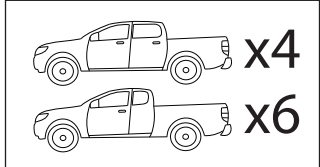
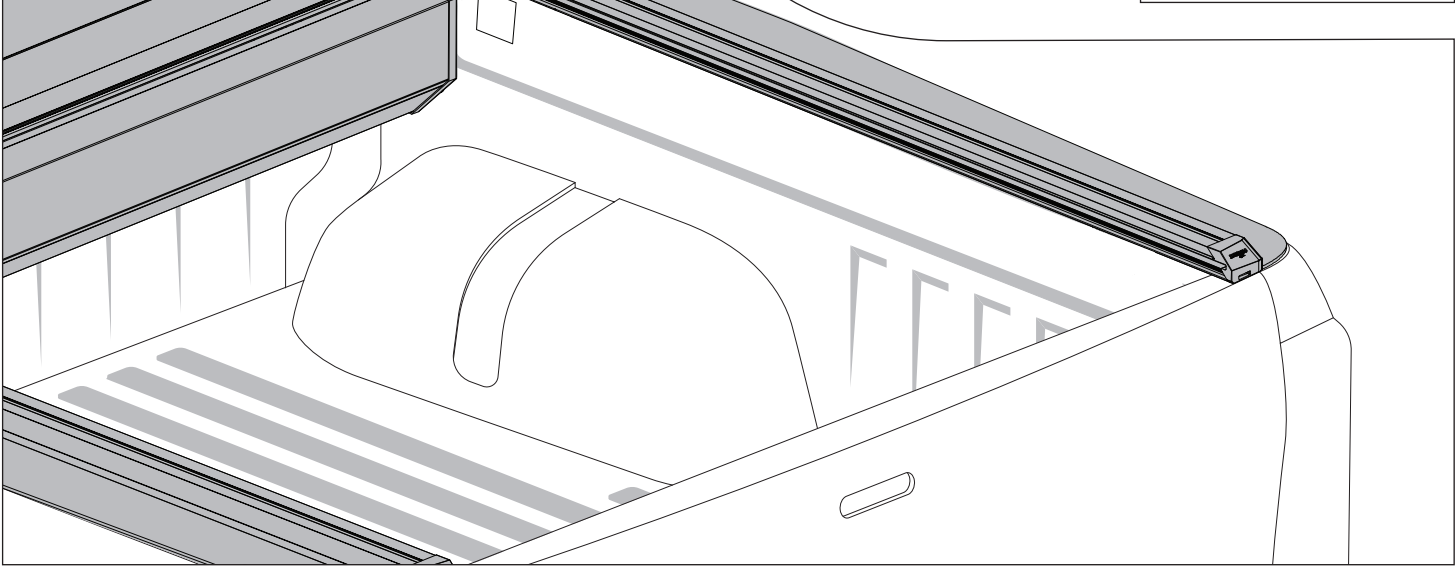
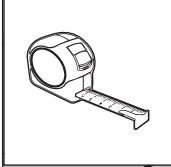
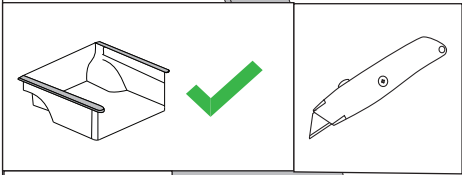


31

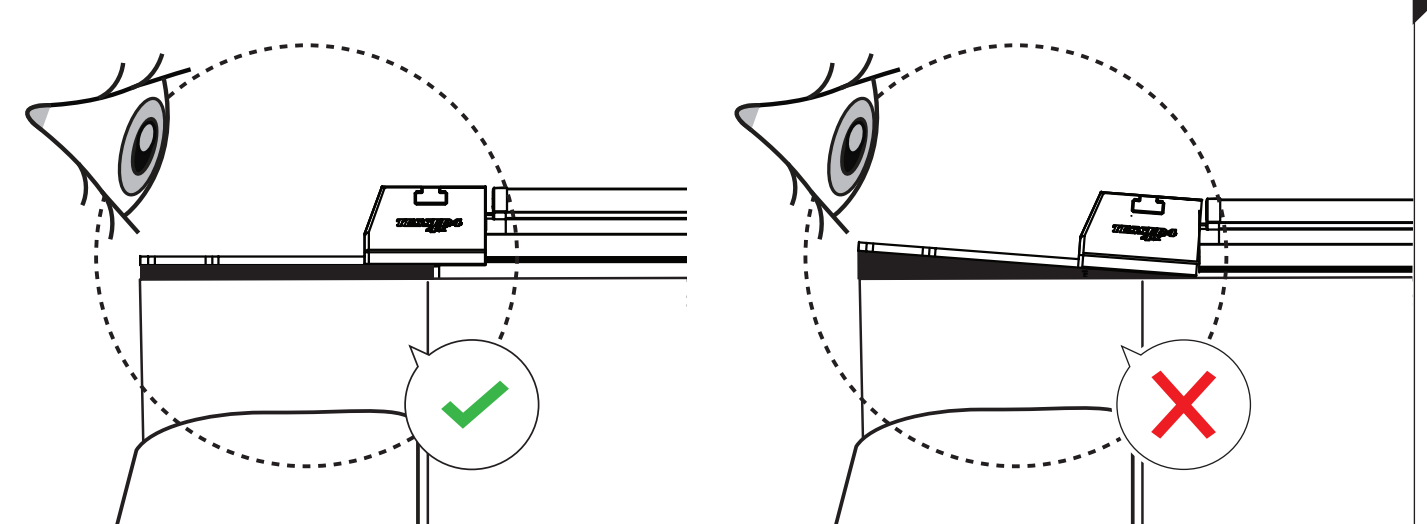
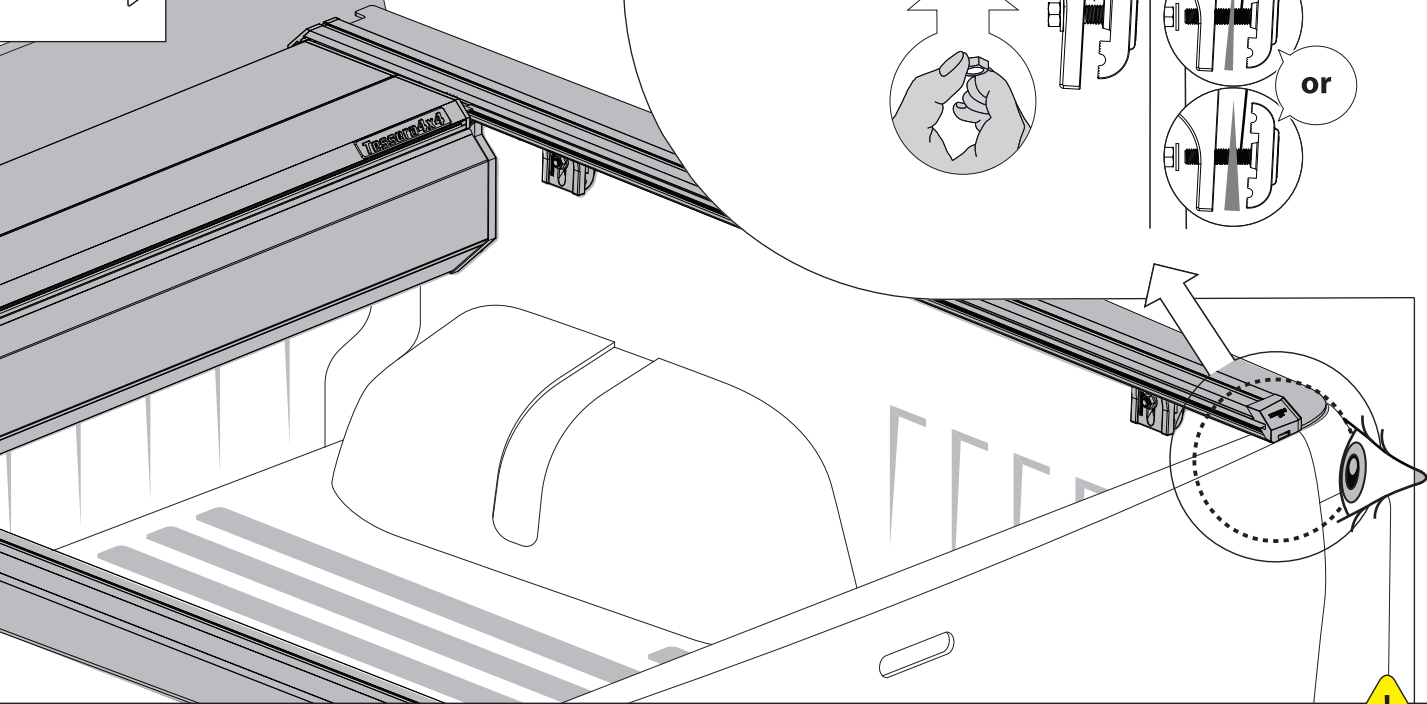
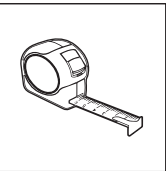
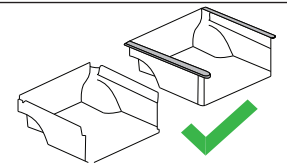
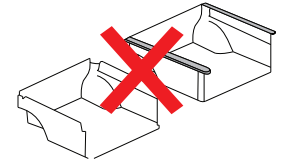
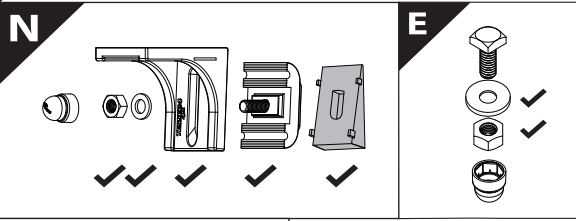
CAUTION !

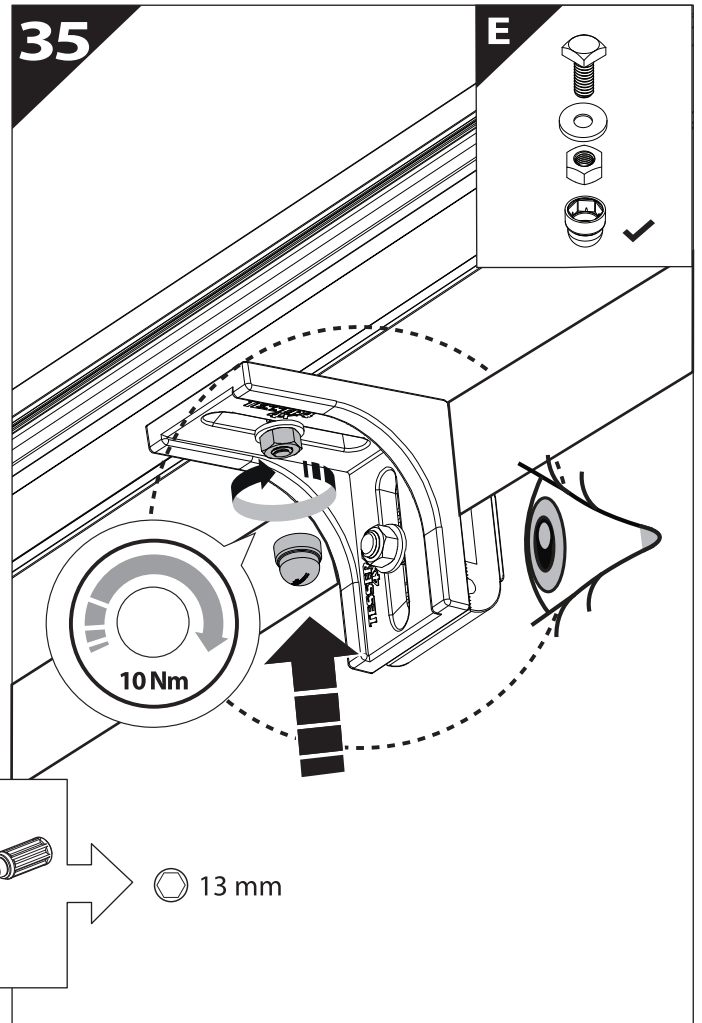
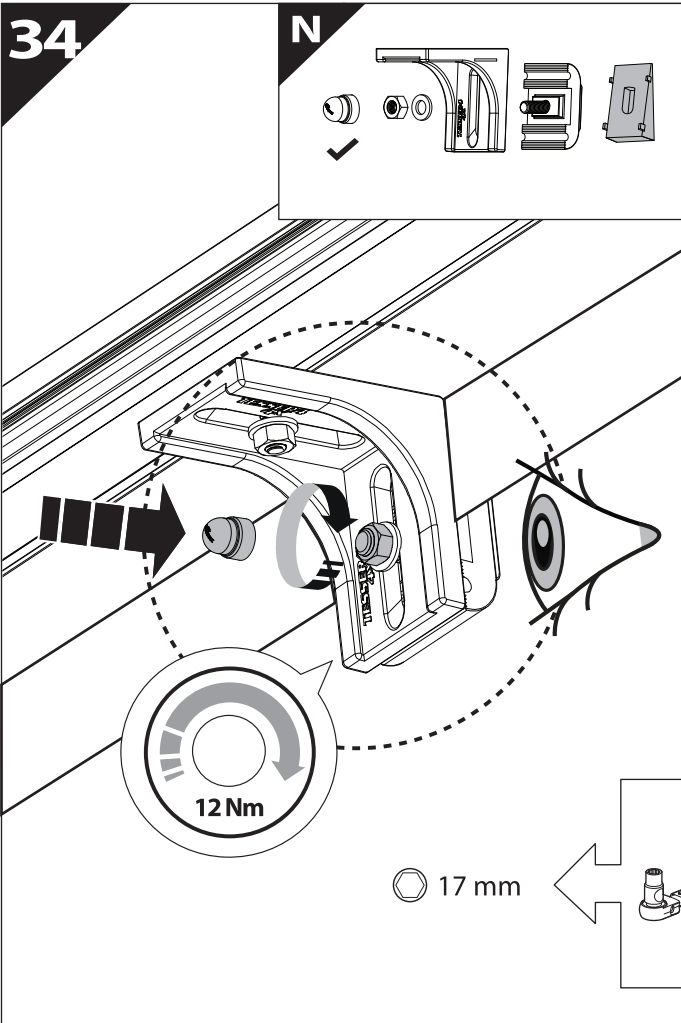


32

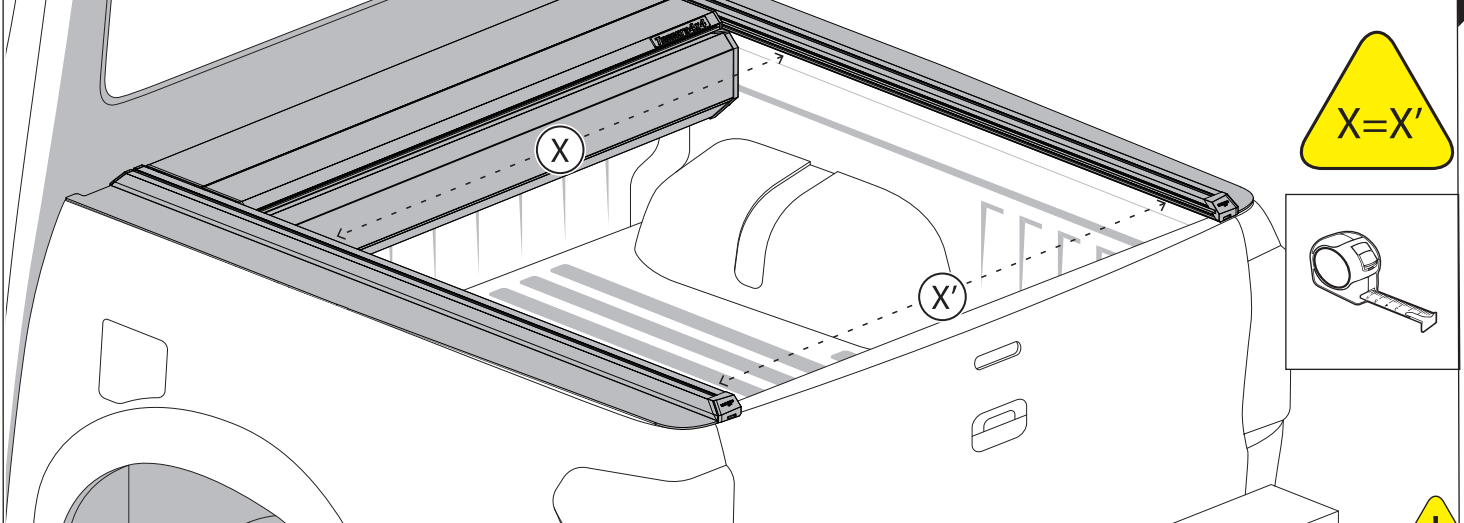


33

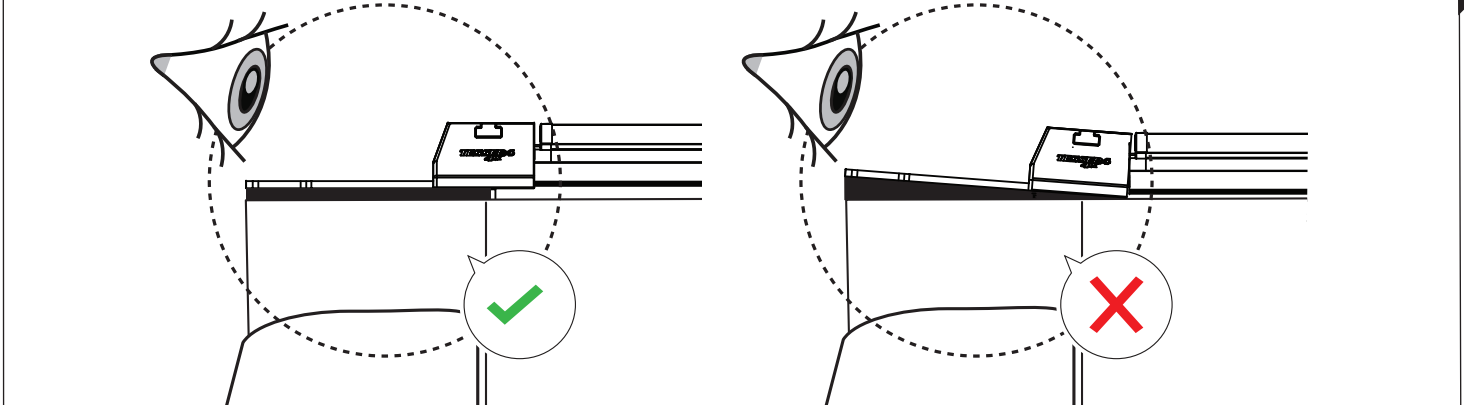




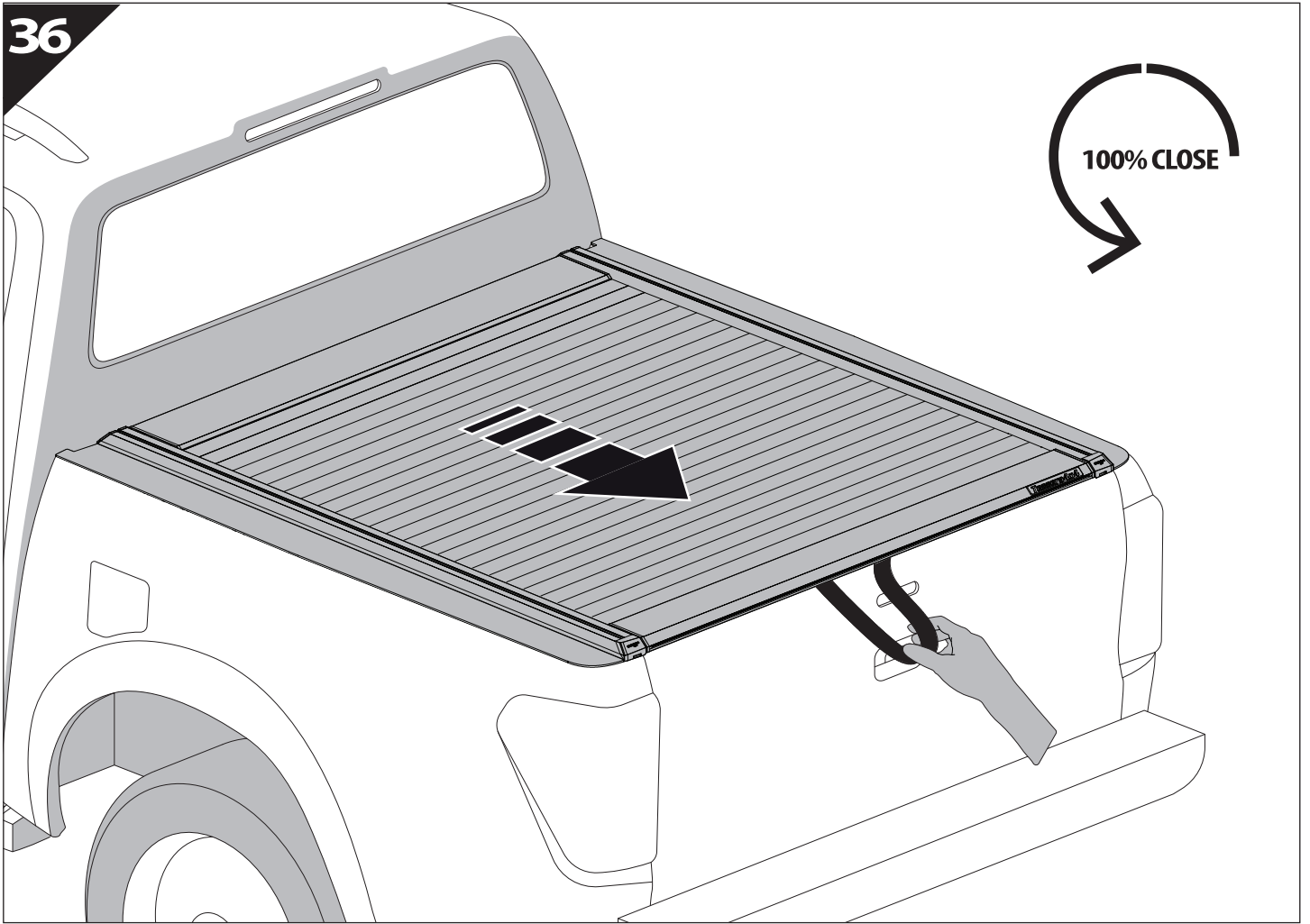
CAUTION !



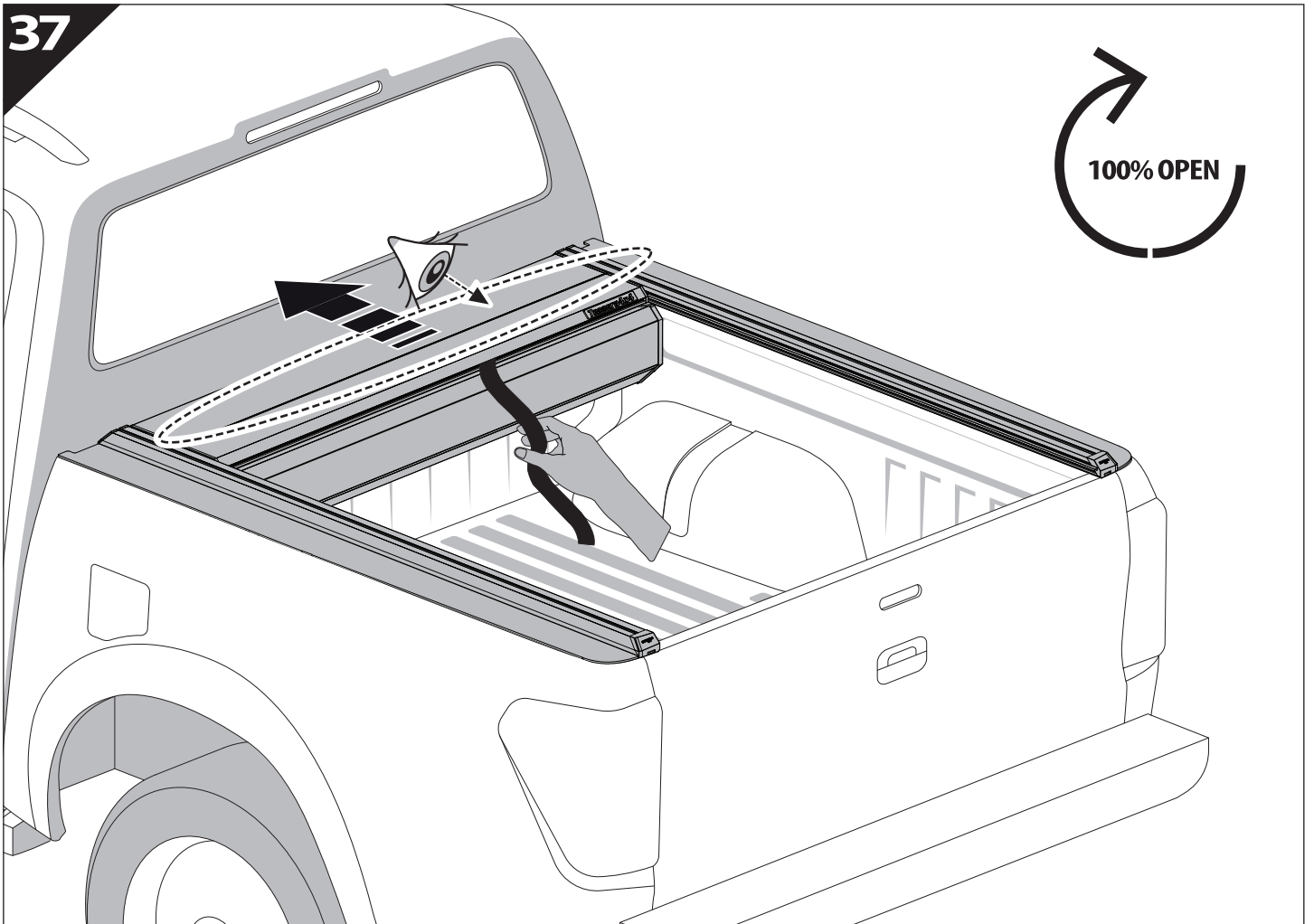
CAUTION !



36



37





GR: Οδηγίες Εγκατάστασης
GB: Installation manual
SF: Asennusohje
F: Notice de montage
PL: Instrukcja montażu
NL: Installatie-instructies
TR: Montaj Talimatı
S: Monteringsanvisning
E: Instrucciones de montaje

H: Szerelési utasítás
P: Instruções de instalação
RUS: Инструкция по установке
N: Monteringsveiledning
D: Einbauanleitung
CZ: Návod k instalaci
I: Istruzioni de montaggio
DK: Monteringsvejledning
RO: Instructiuni de instalare

Customer Service:

+30 (210) 5541161, +30 (210) 5541154 (08:00 - 16:00 EET)

Support department:

info@gianso.gr

Website:

www.tessera4x4.com

Address:

19.5 km of National road Athens-Korinthos (Elefsina) Greece, P.C: 19200