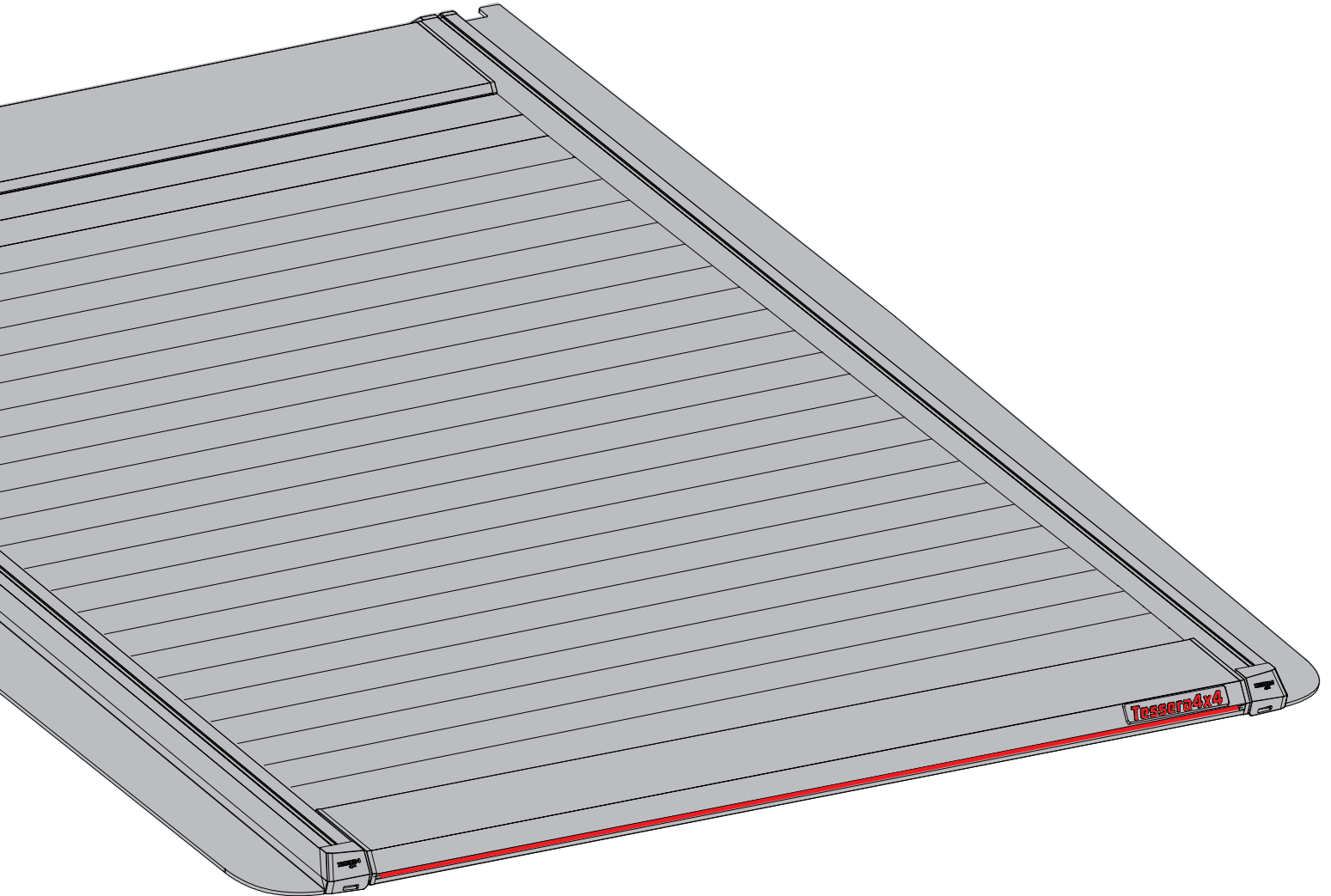


# Tessera Roll+

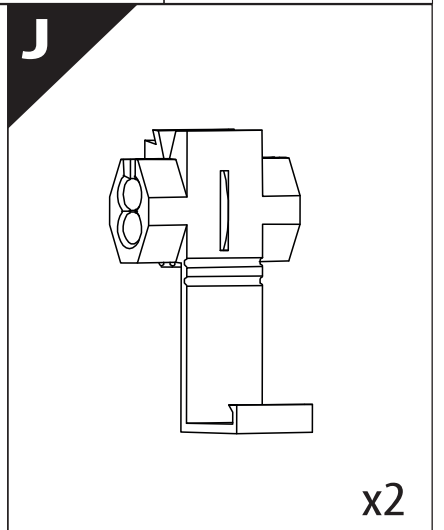
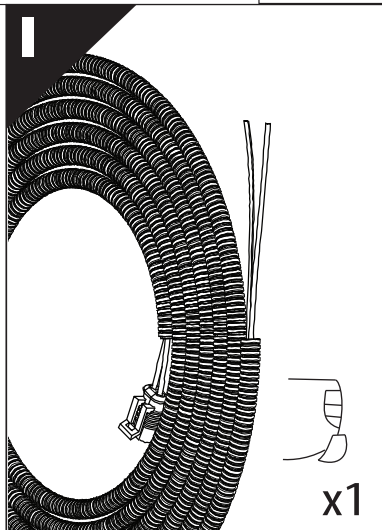
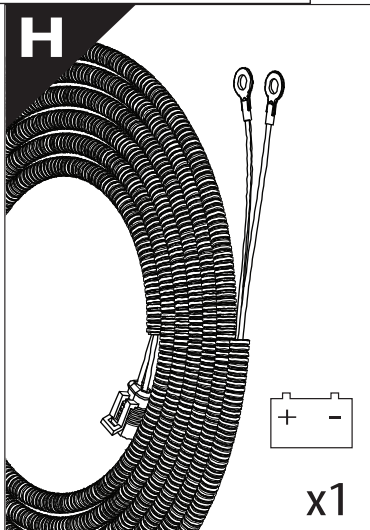
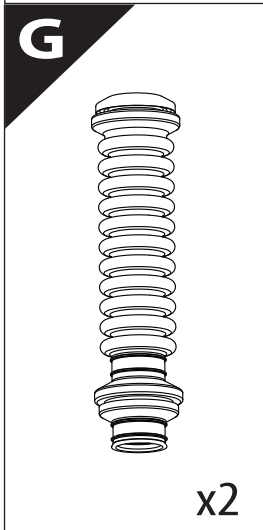
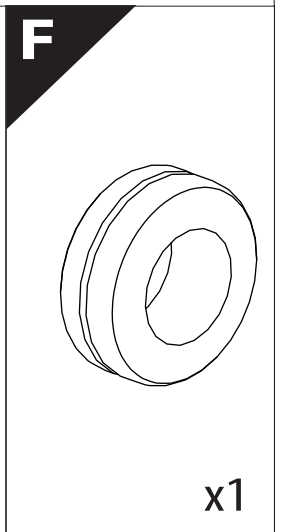
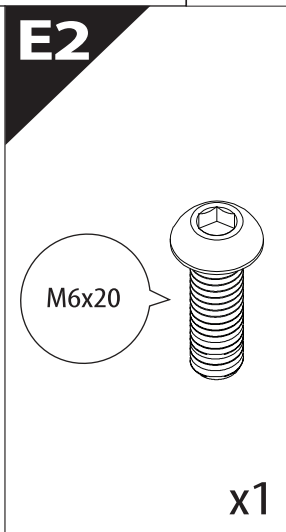
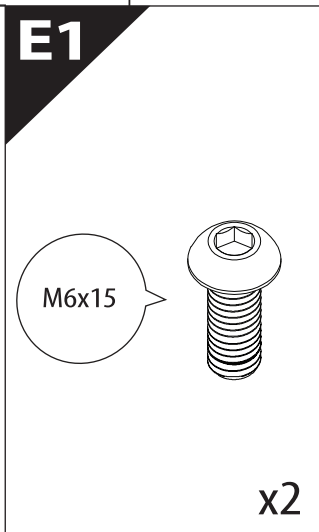
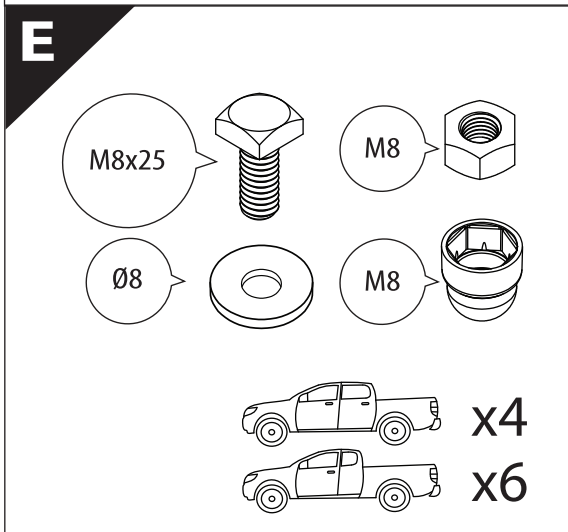
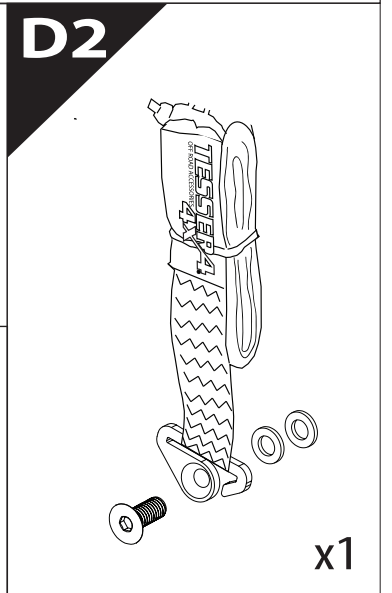
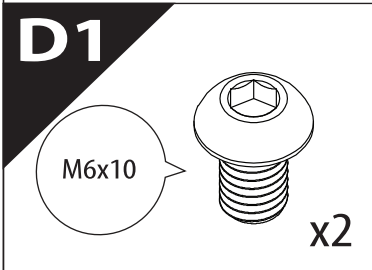
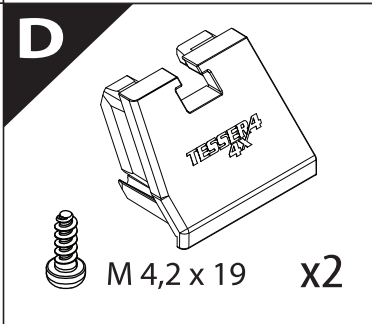
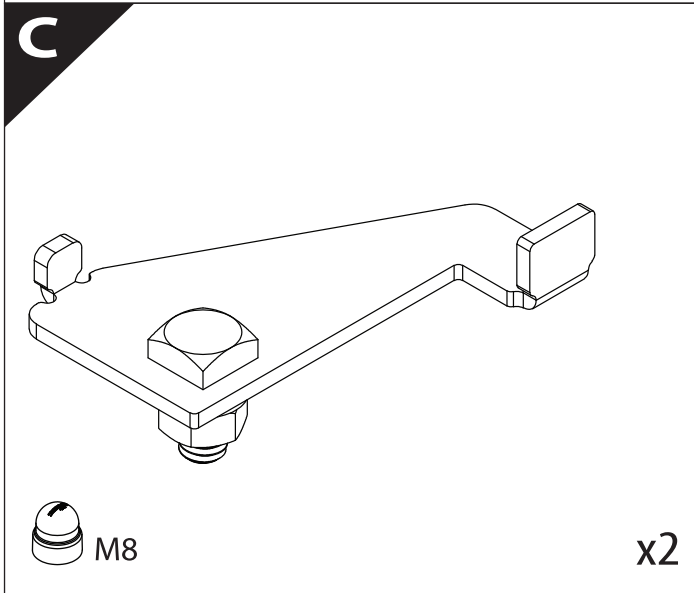
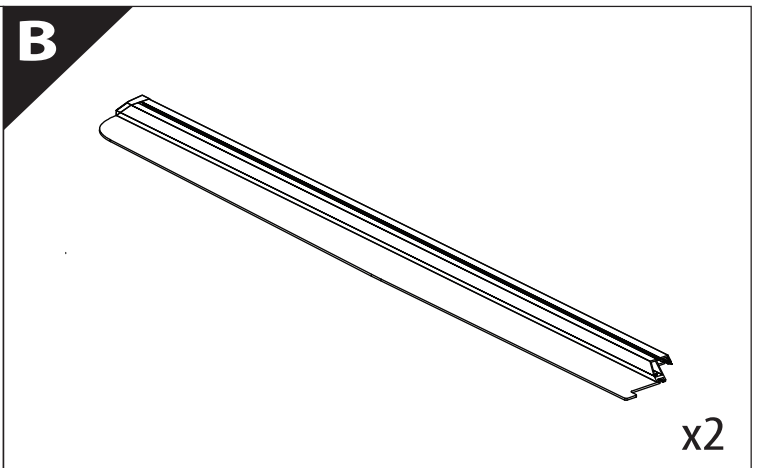
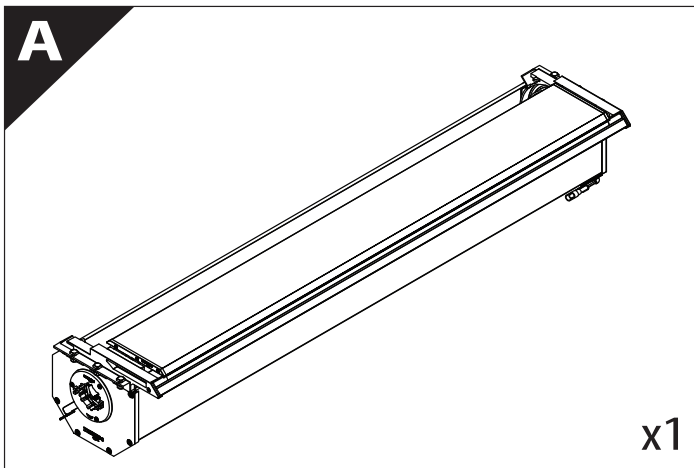
## Basic Version + ⚡ E-KIT

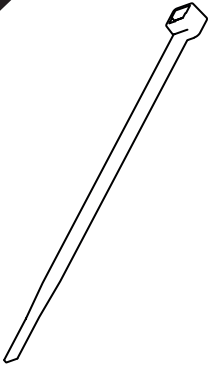


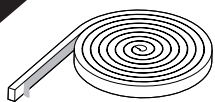
## Installation Manual

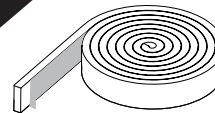
PART NUMBER(S)	Model Year
TESS 1416 ROLL+ E-KIT	Toyota Hilux (Revo) 2016+
TESS 1417 ROLL+ E-KIT	
Cab(s)	Installation Time / Weight
Double Cab & Space cab	40-60 minutes / 53-57 kg

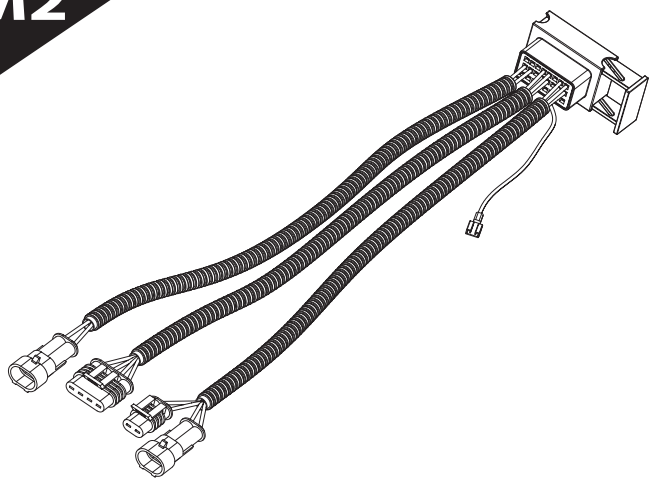


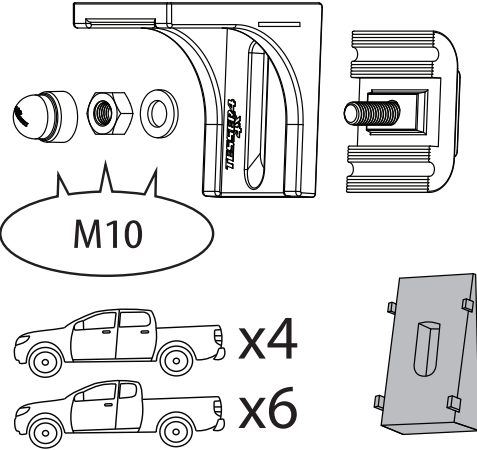


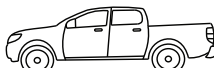
**K**  **x20**

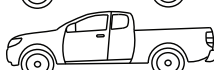
**L1**  **x1**  
1.5 x 0.8 x 400cm

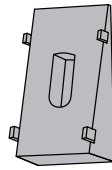
**L2**  **x1**  
5 x 0.8 x 167cm

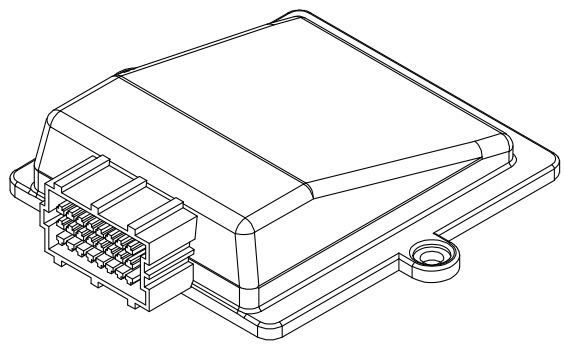
**M2**  **x1**

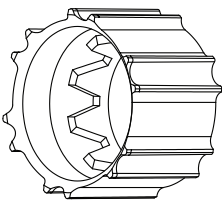
**N**  **M10**

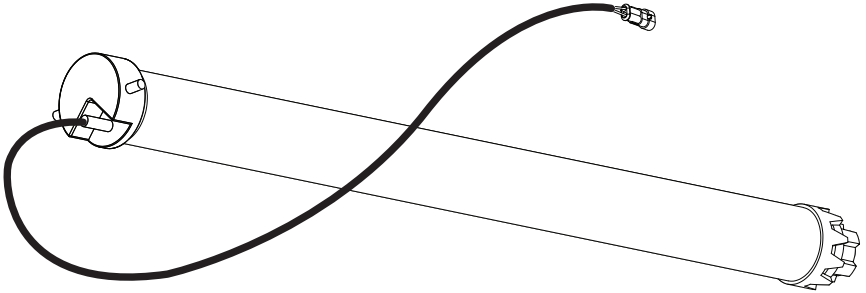
 **x4**

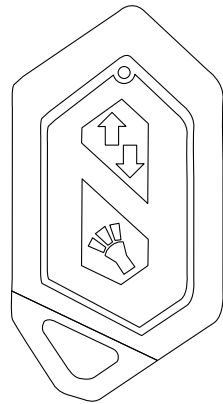
 **x6**



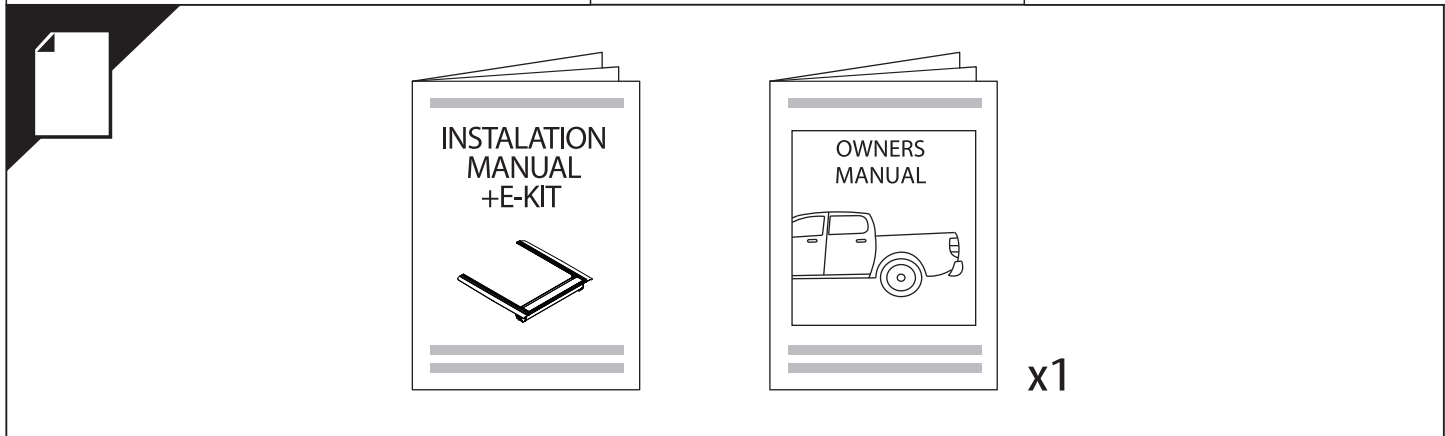
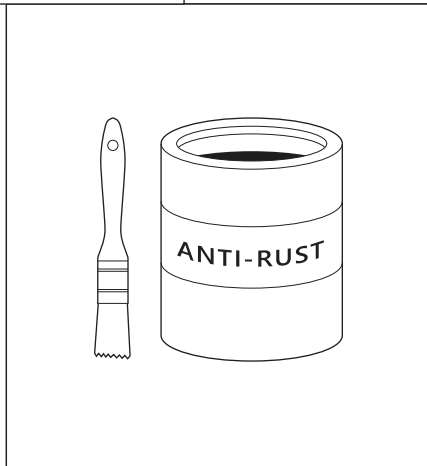
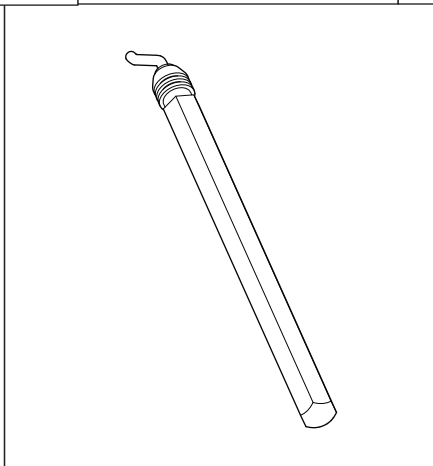
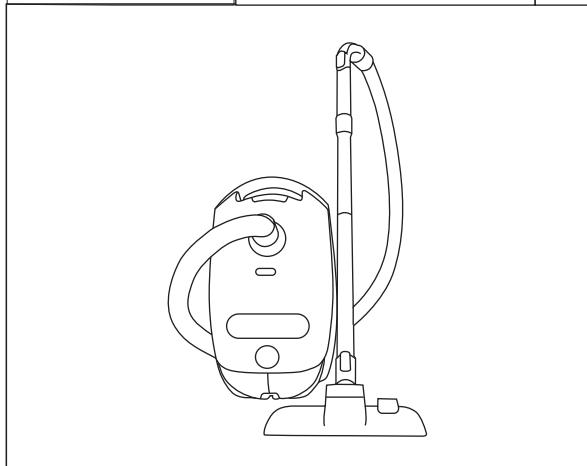
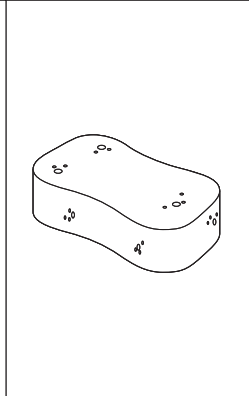
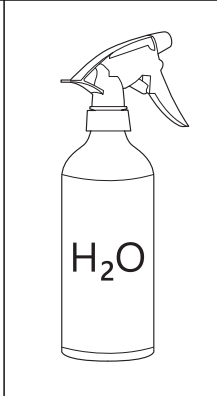
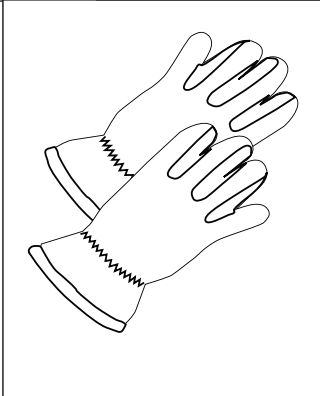
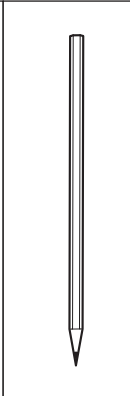
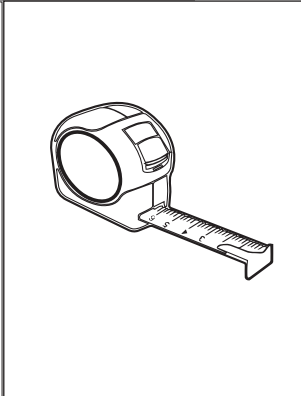
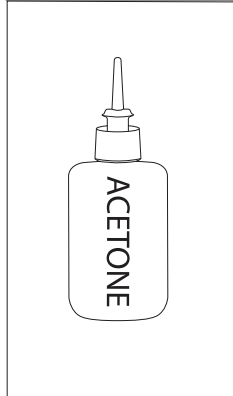
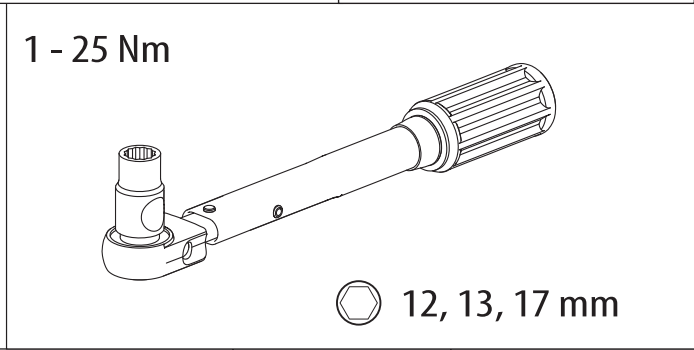
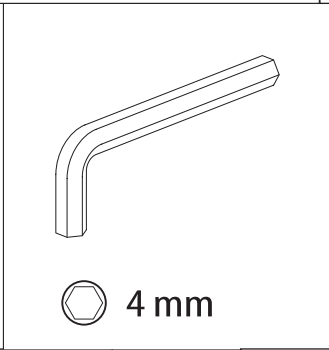
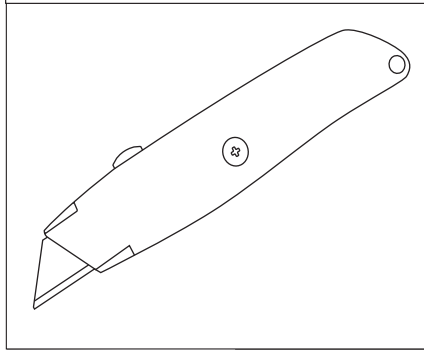
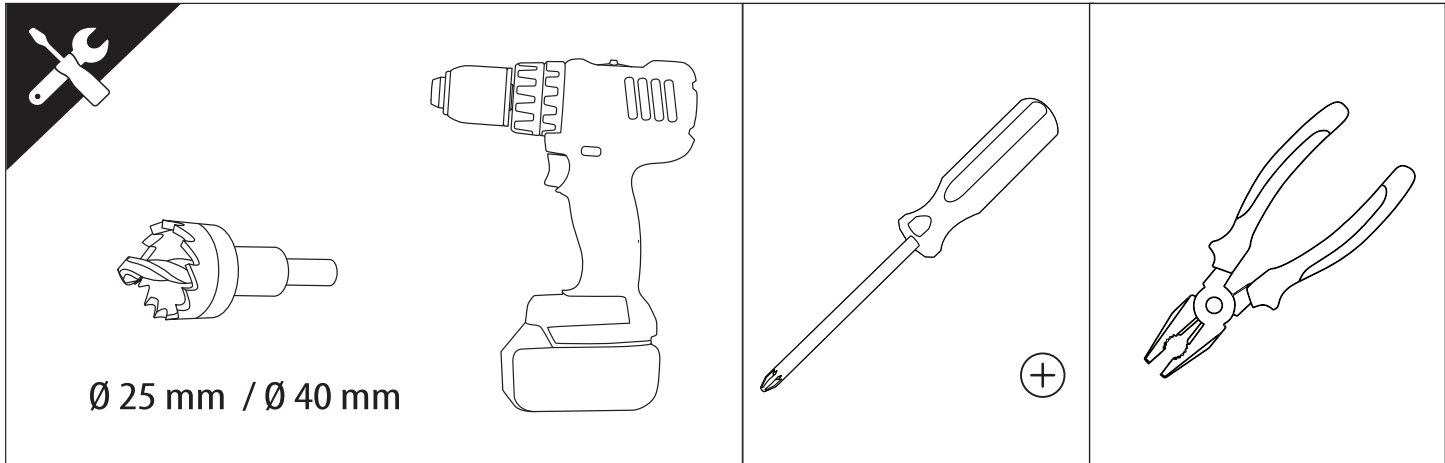
**O**  **x1**

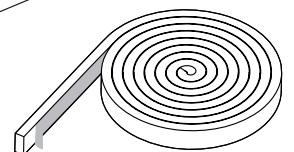
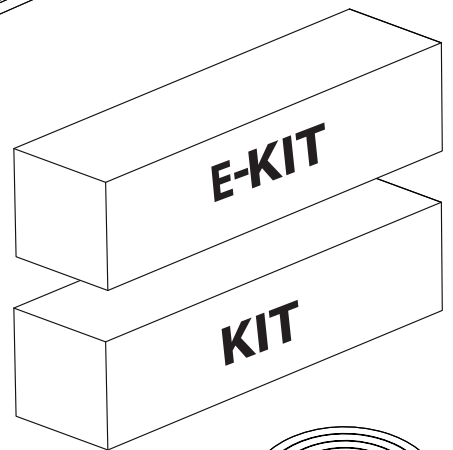
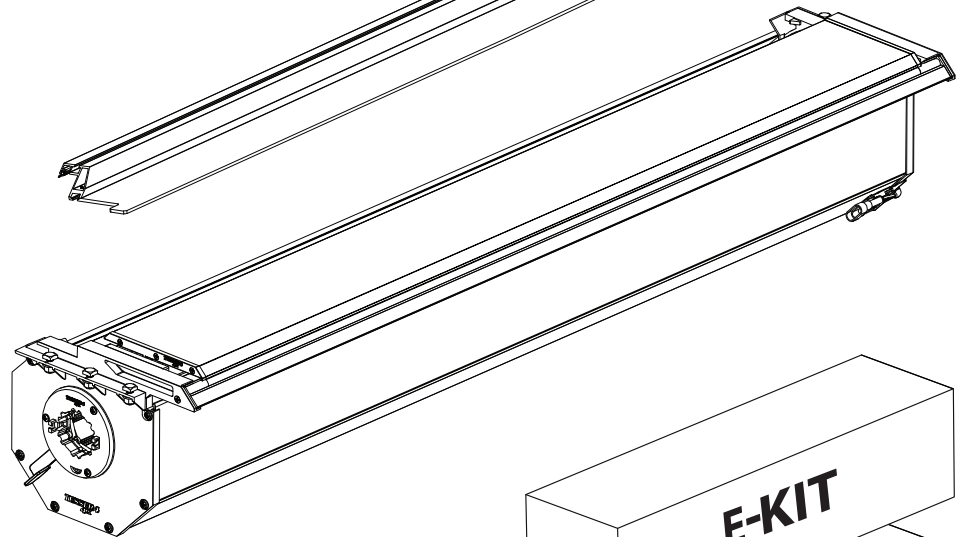
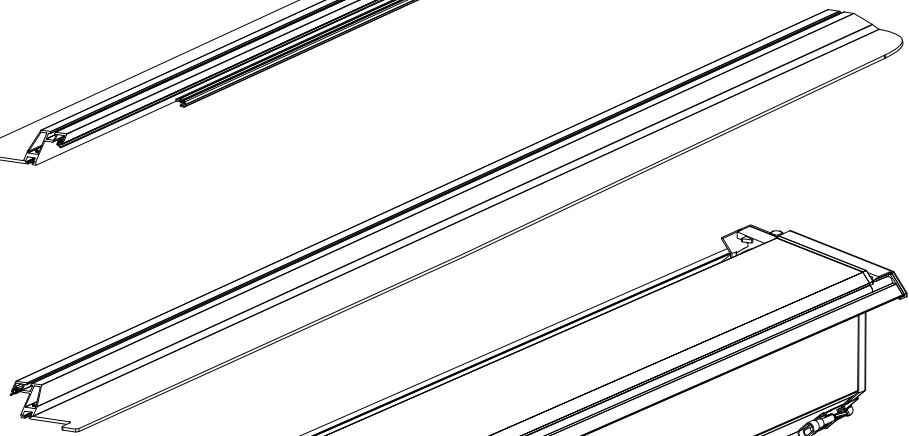
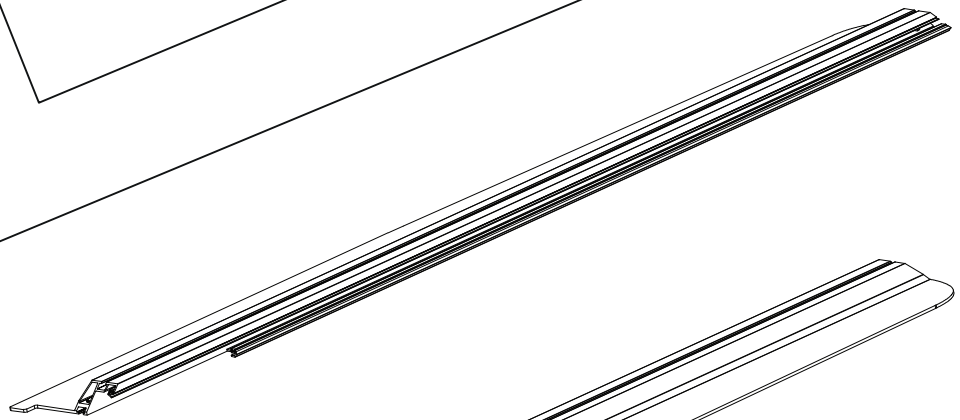
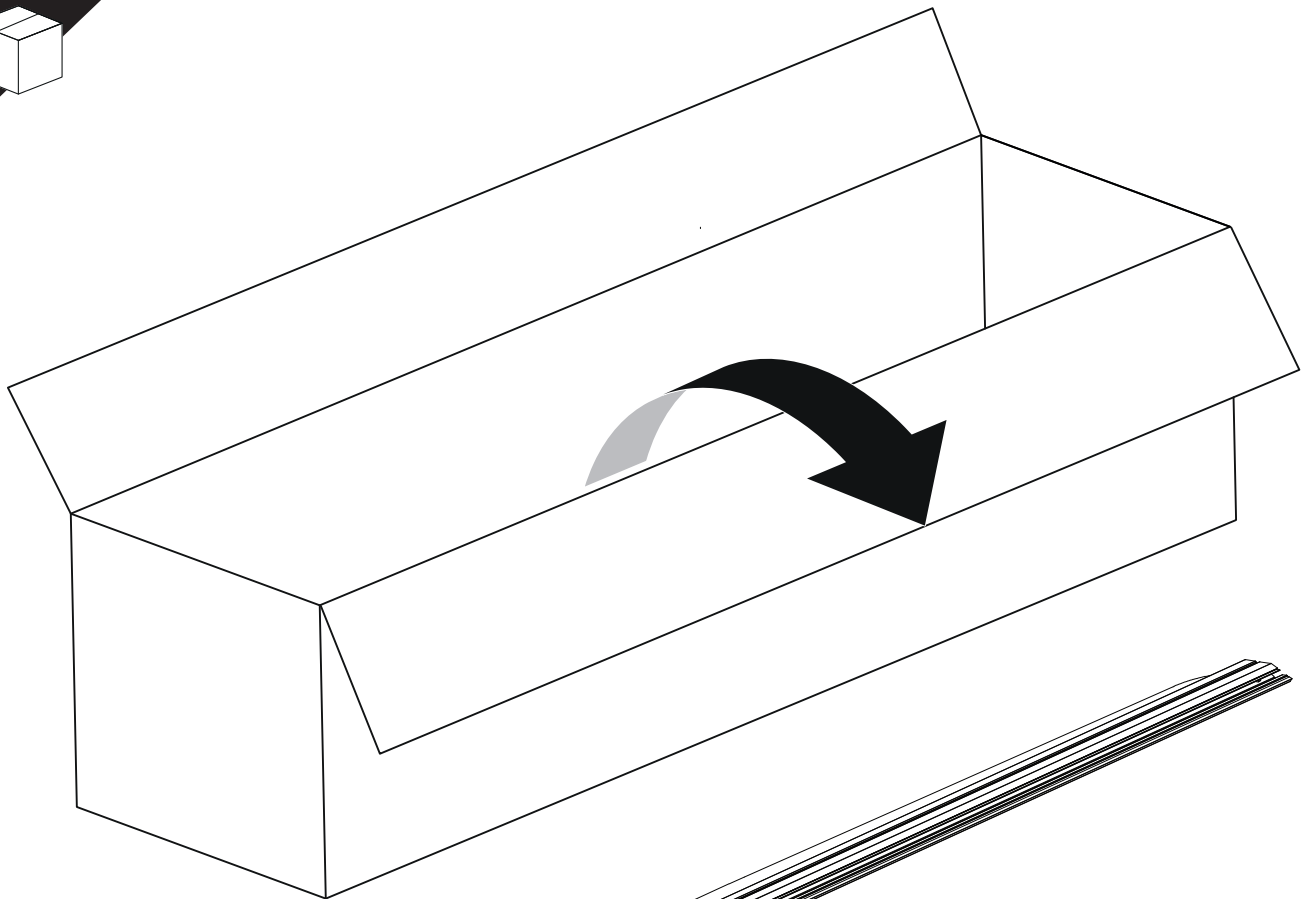
**P**  **x1**

**Q**  **x1**

**R**  **x2**

**S**  **x2**



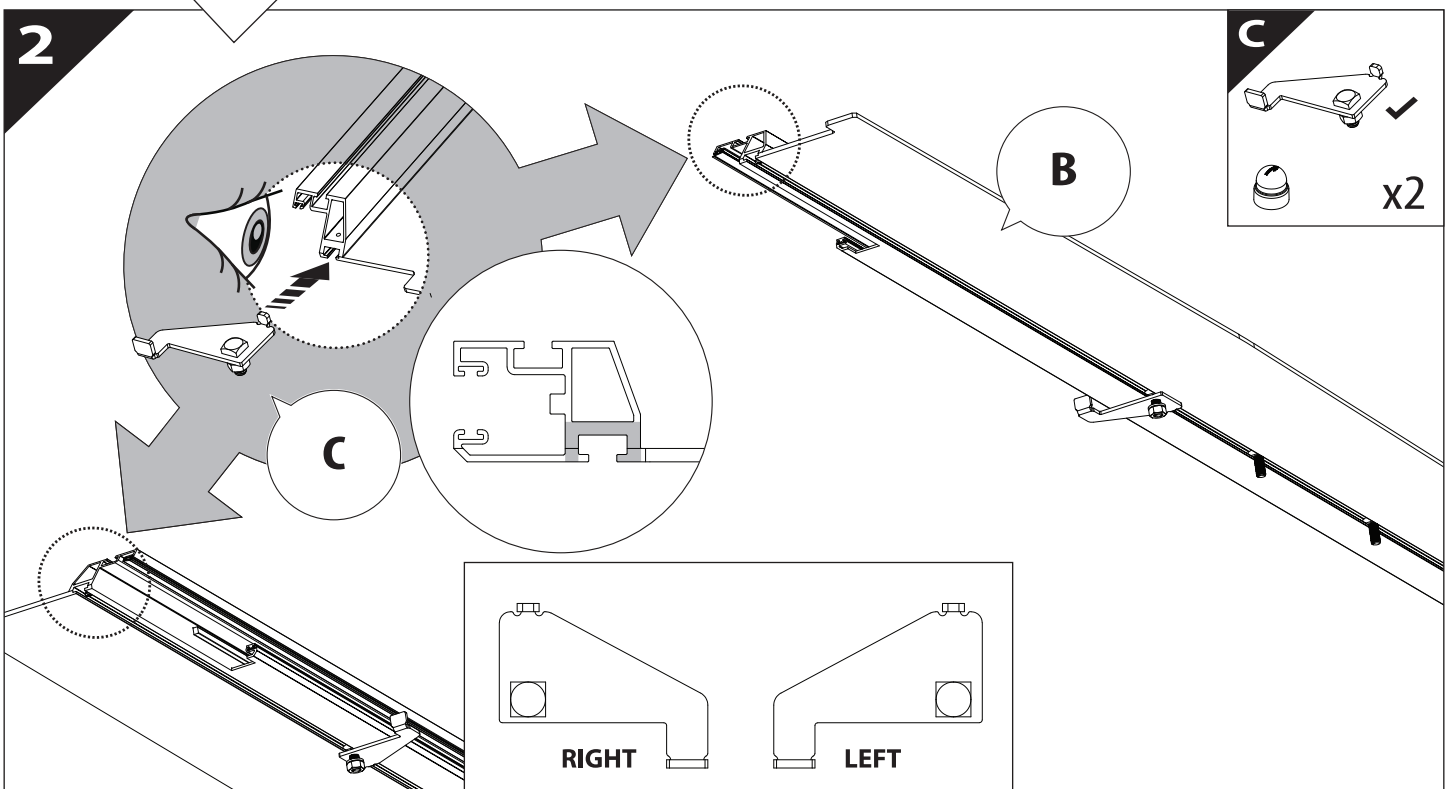
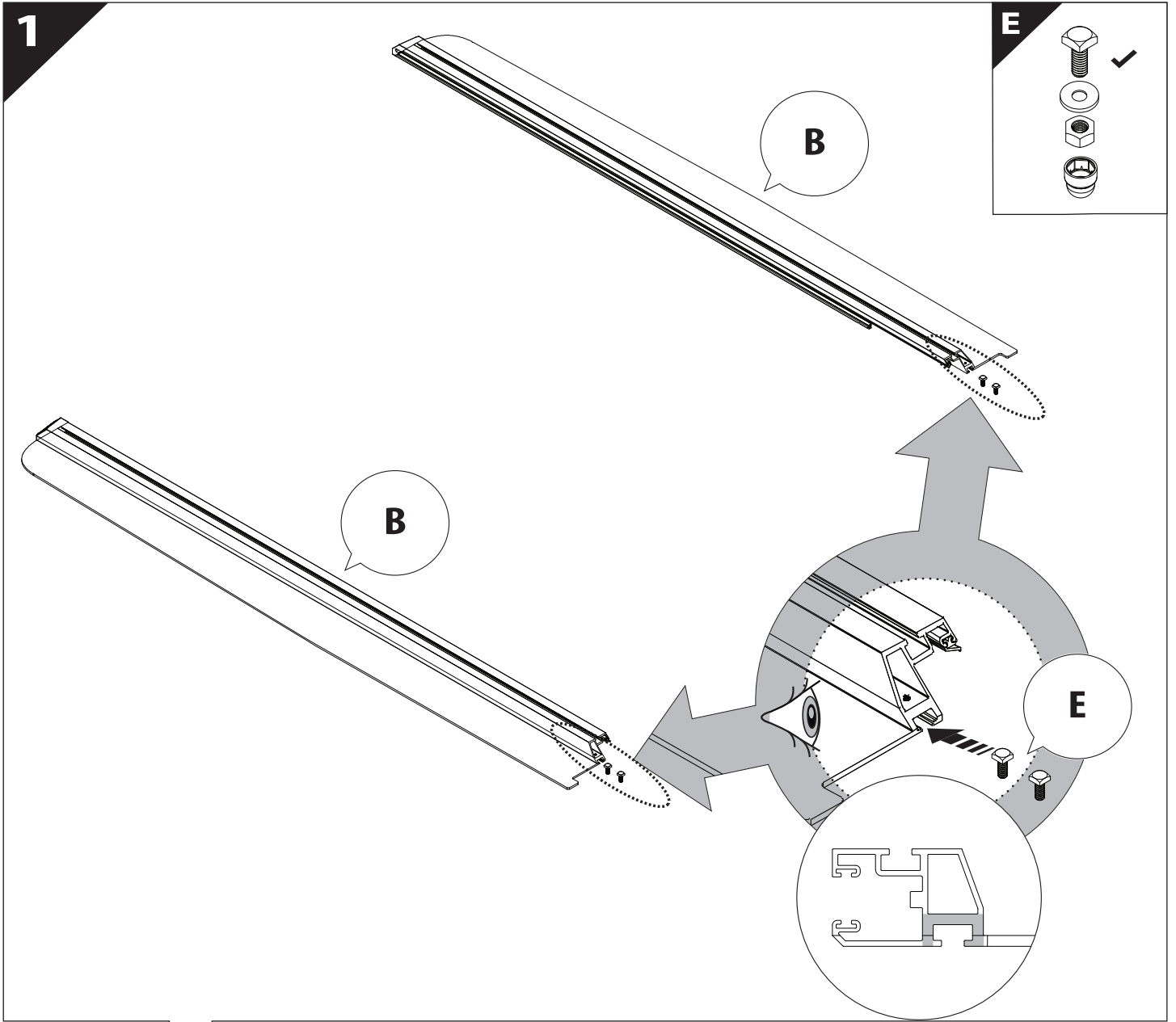


**B**

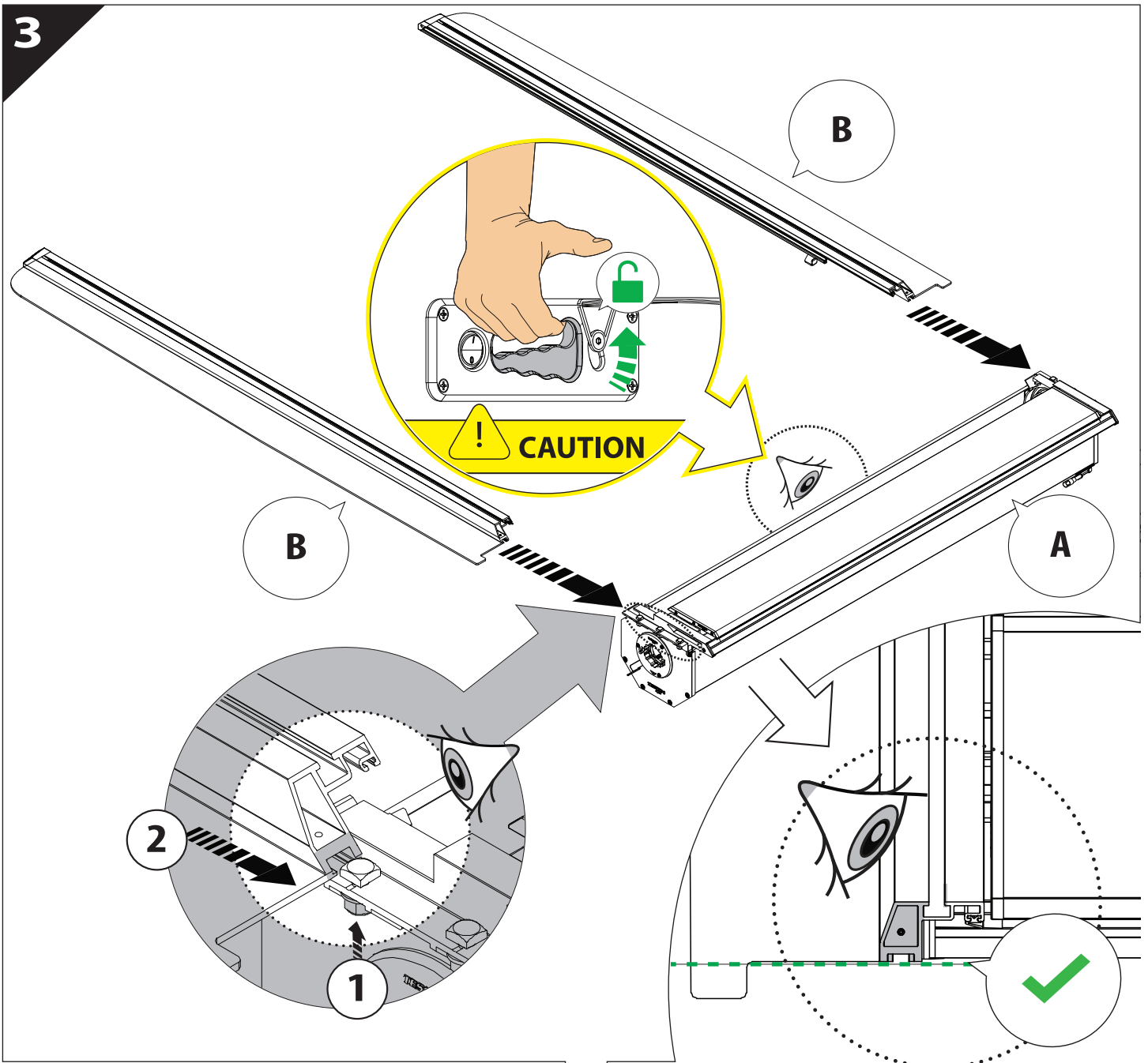
**A**

**KITS**

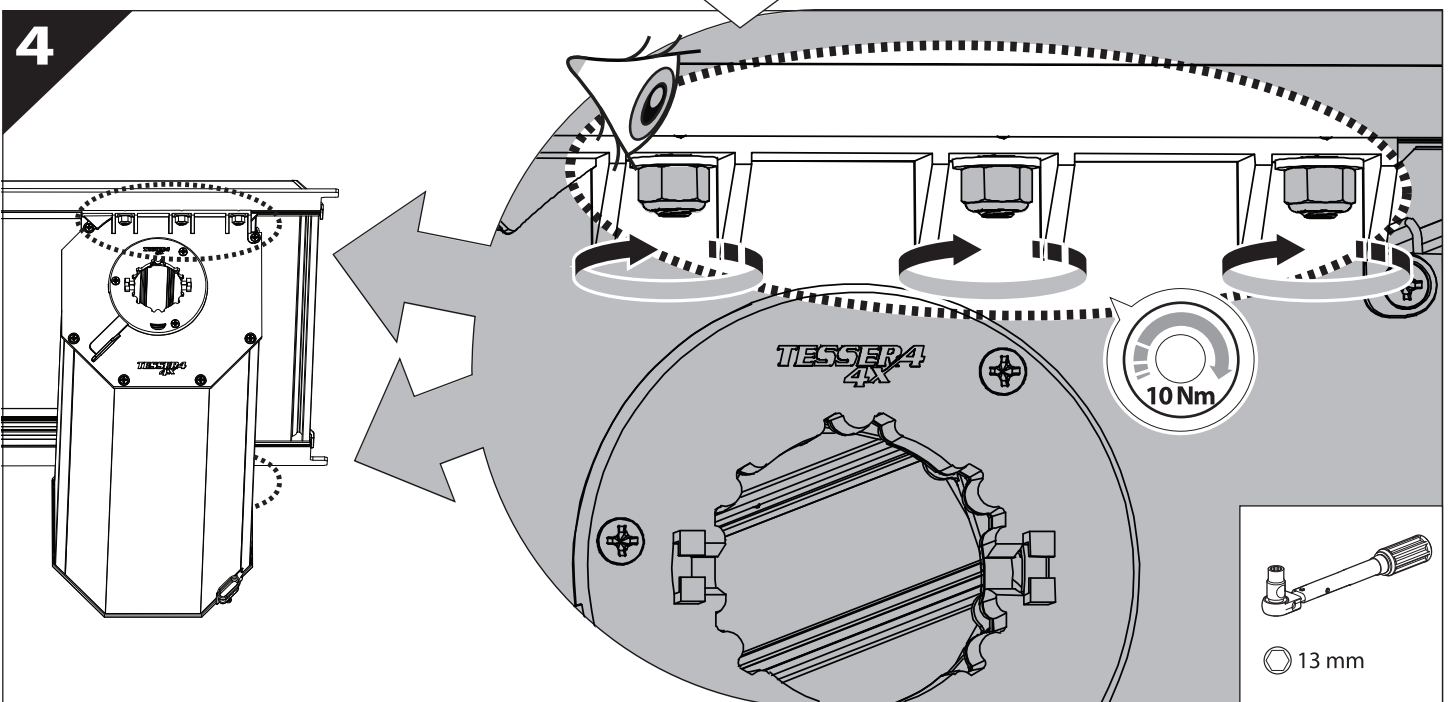
**L**



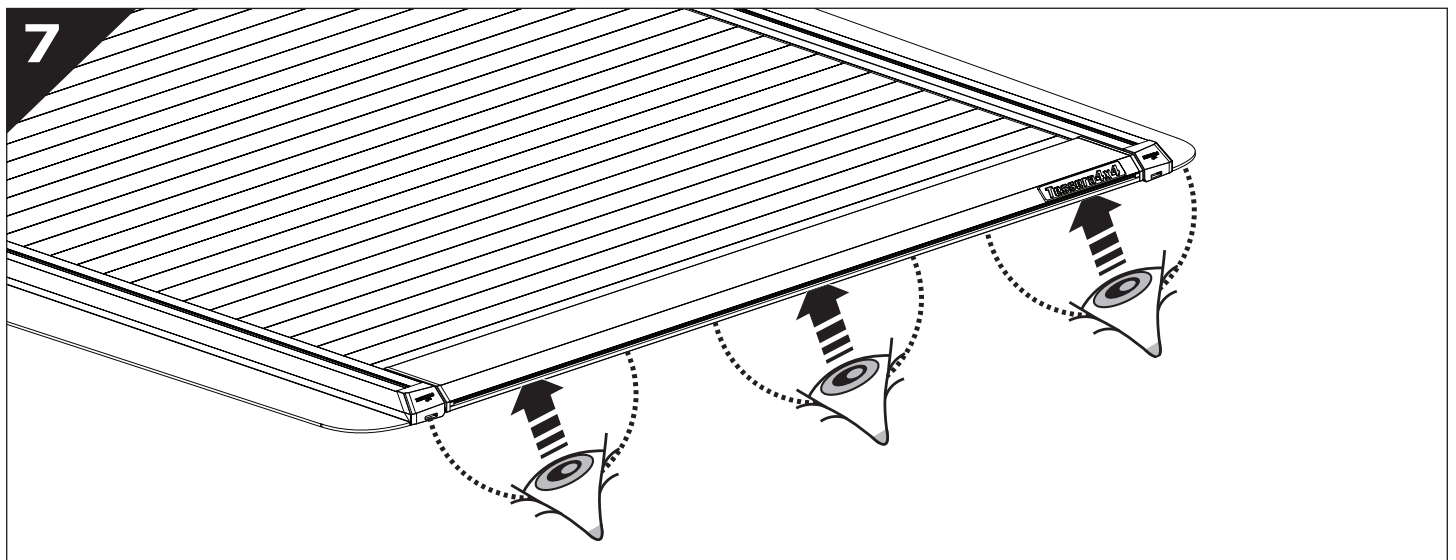
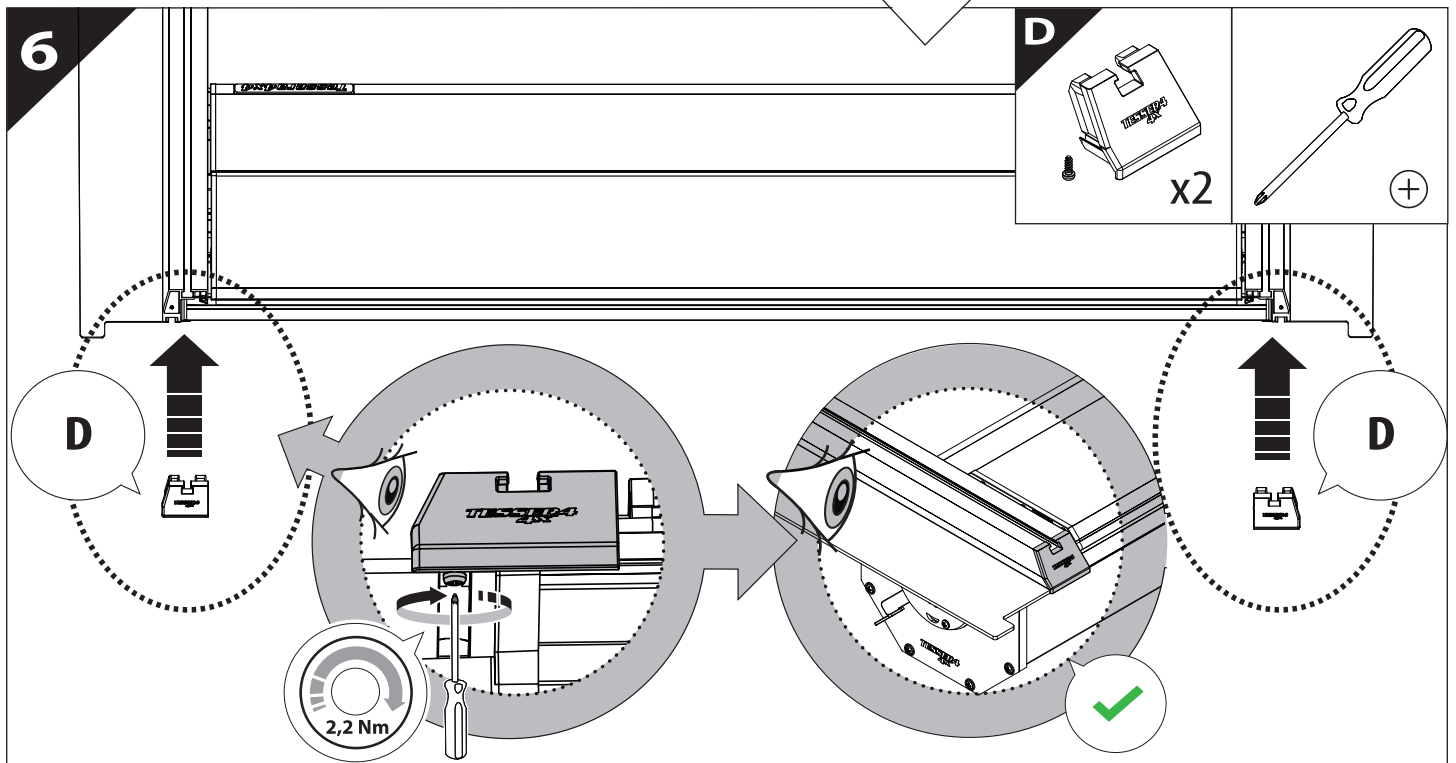
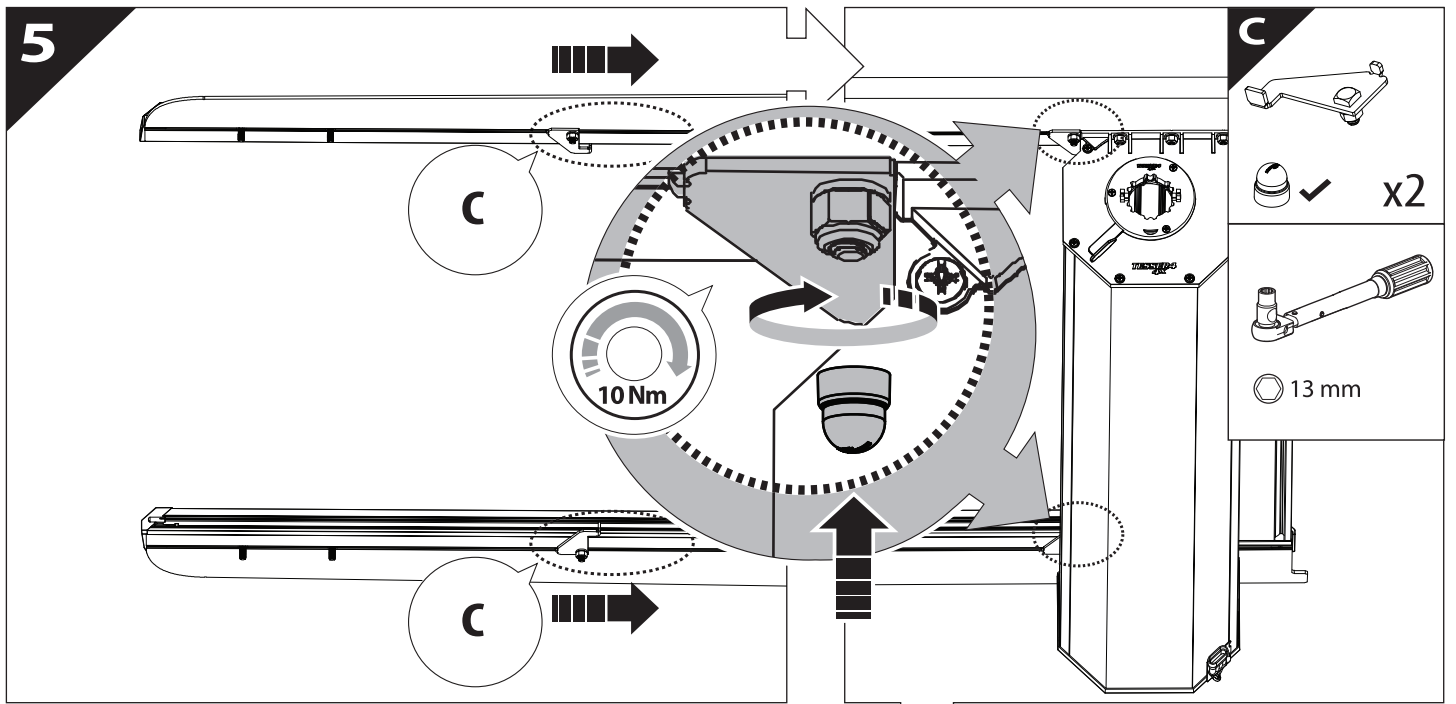
3



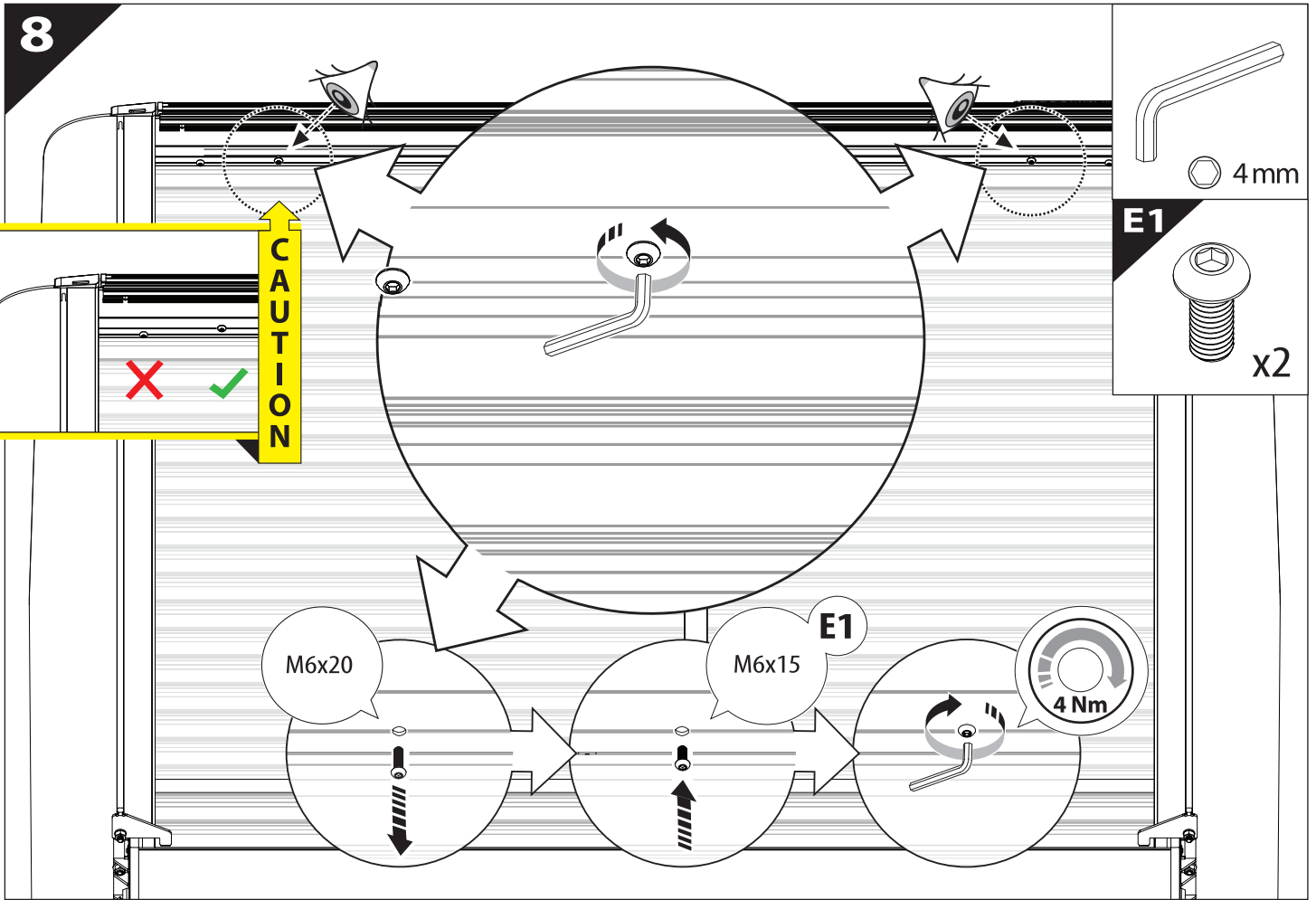
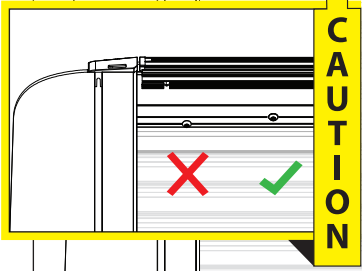
4





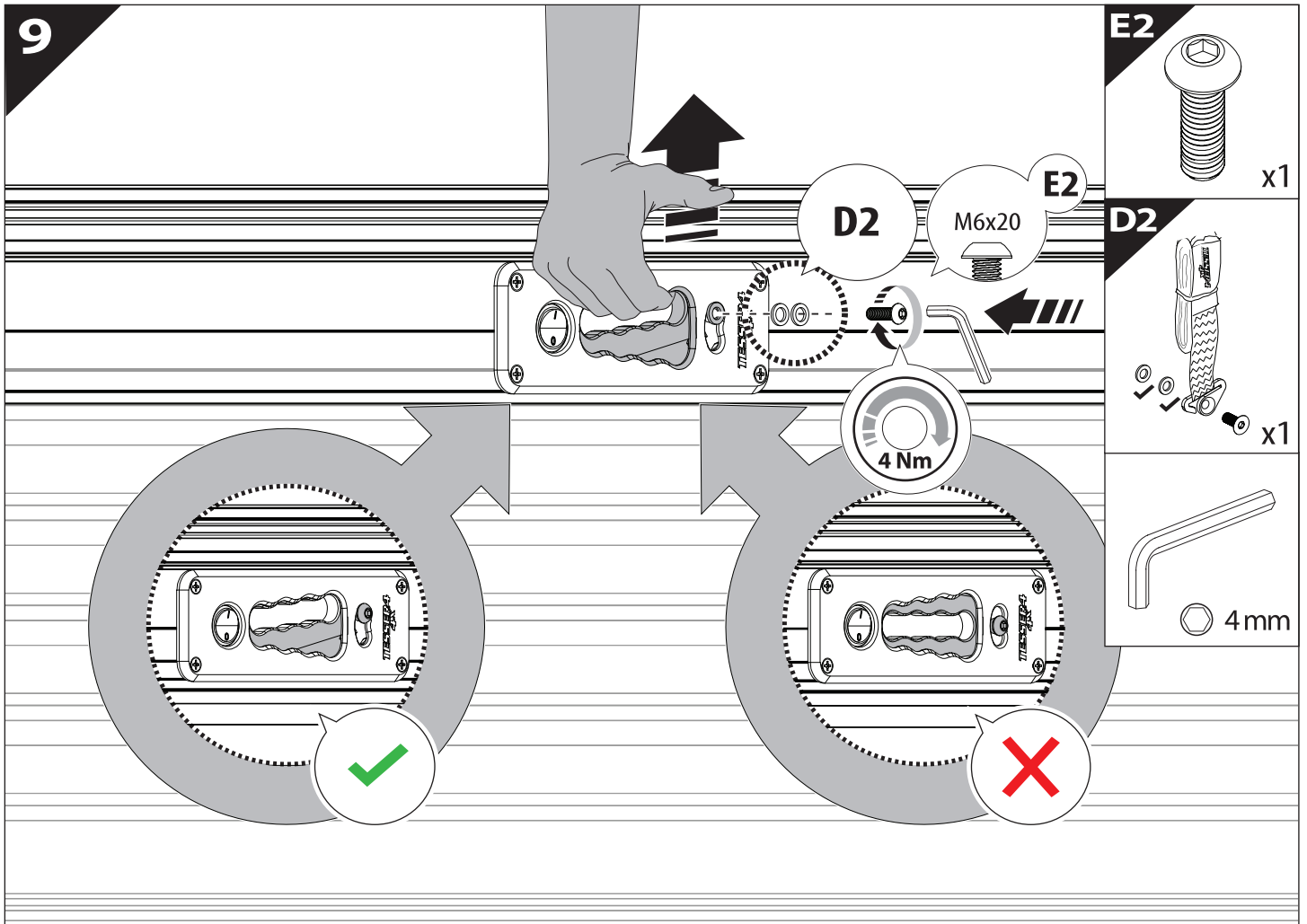


8

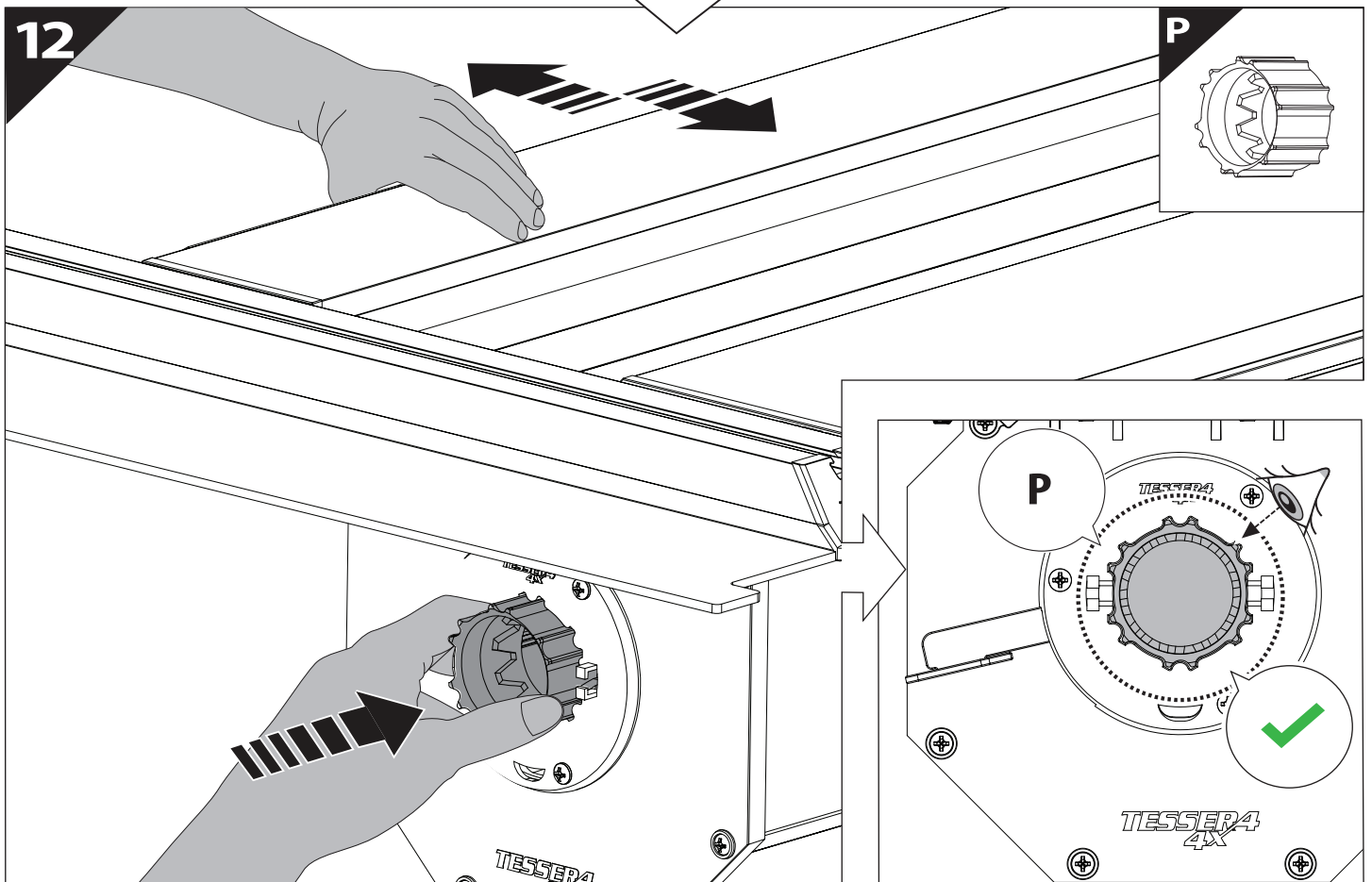
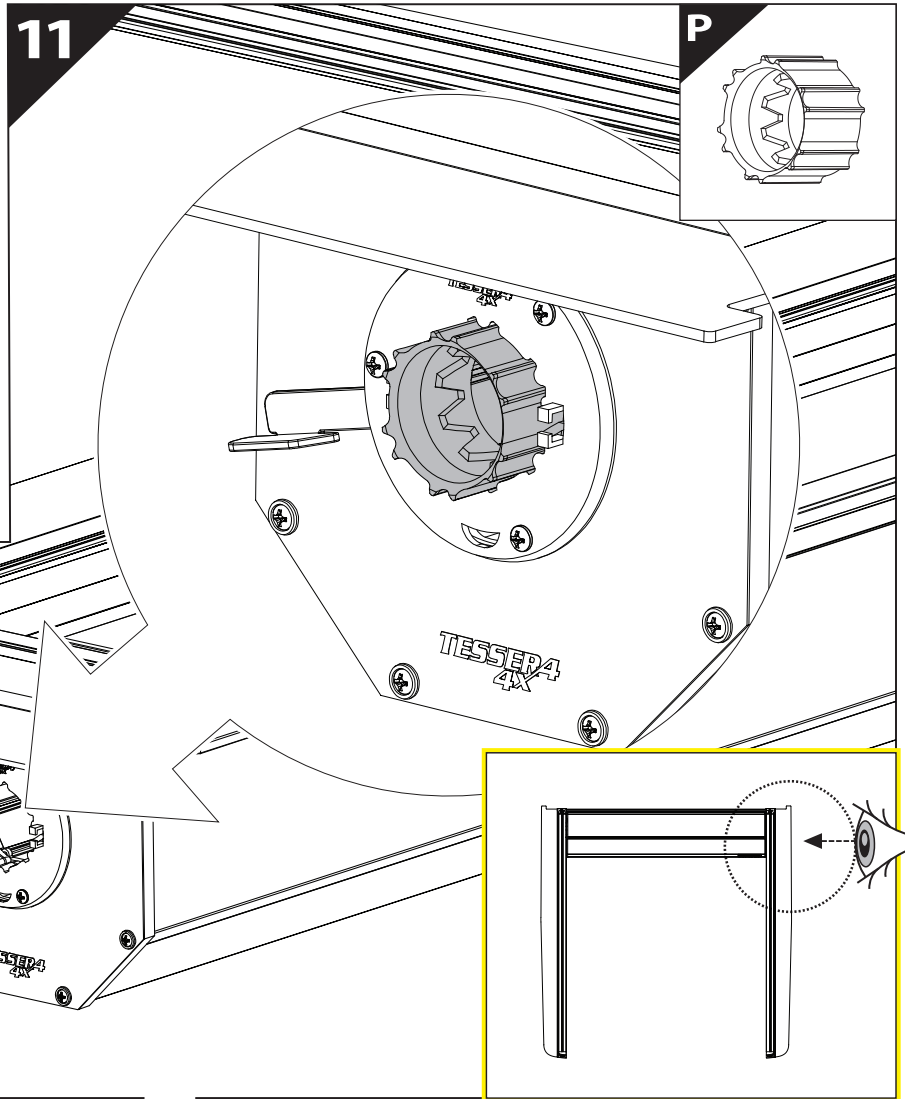
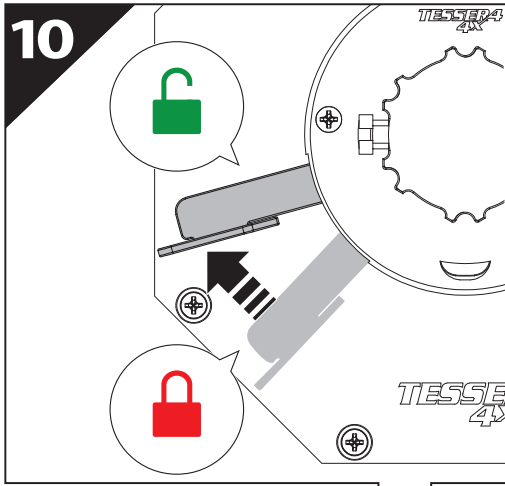


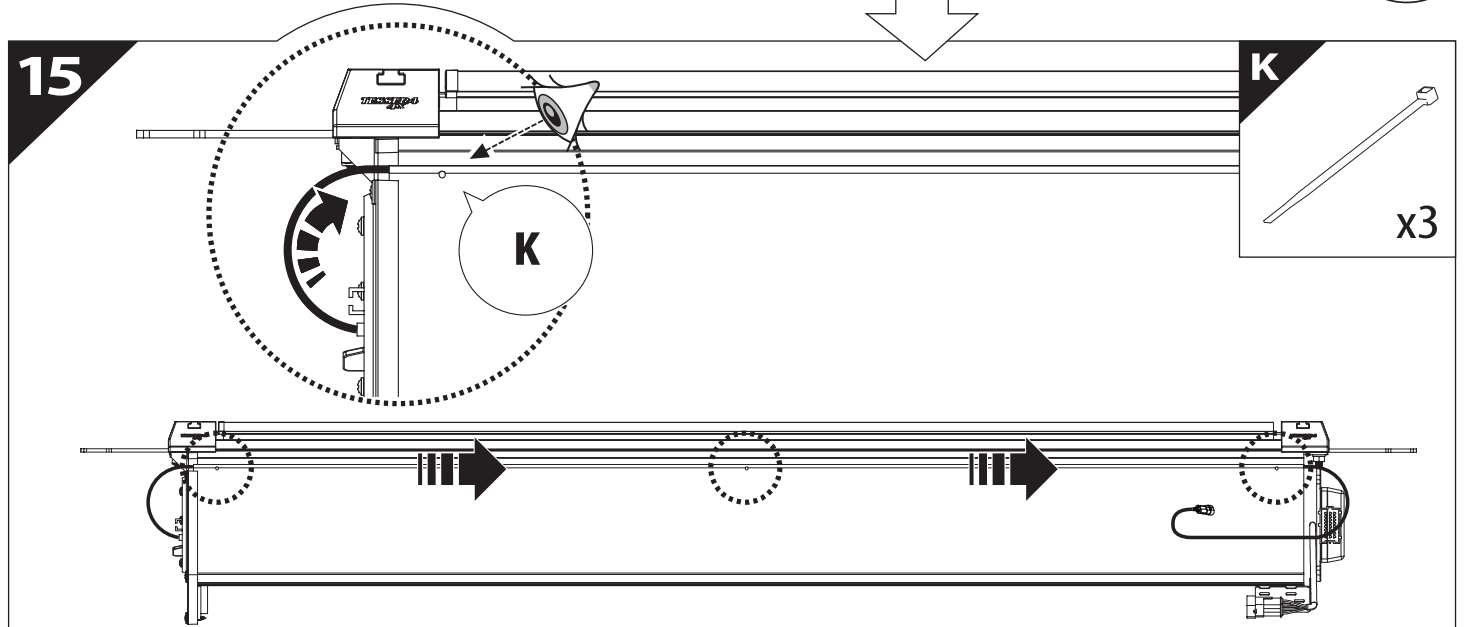
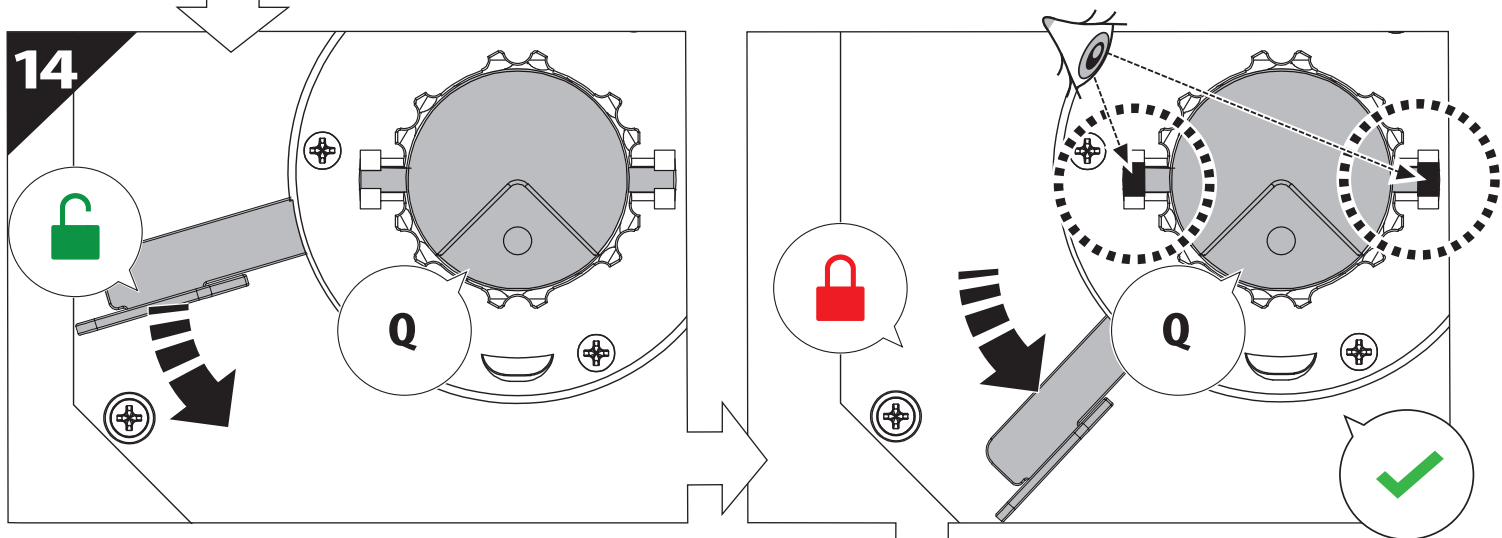
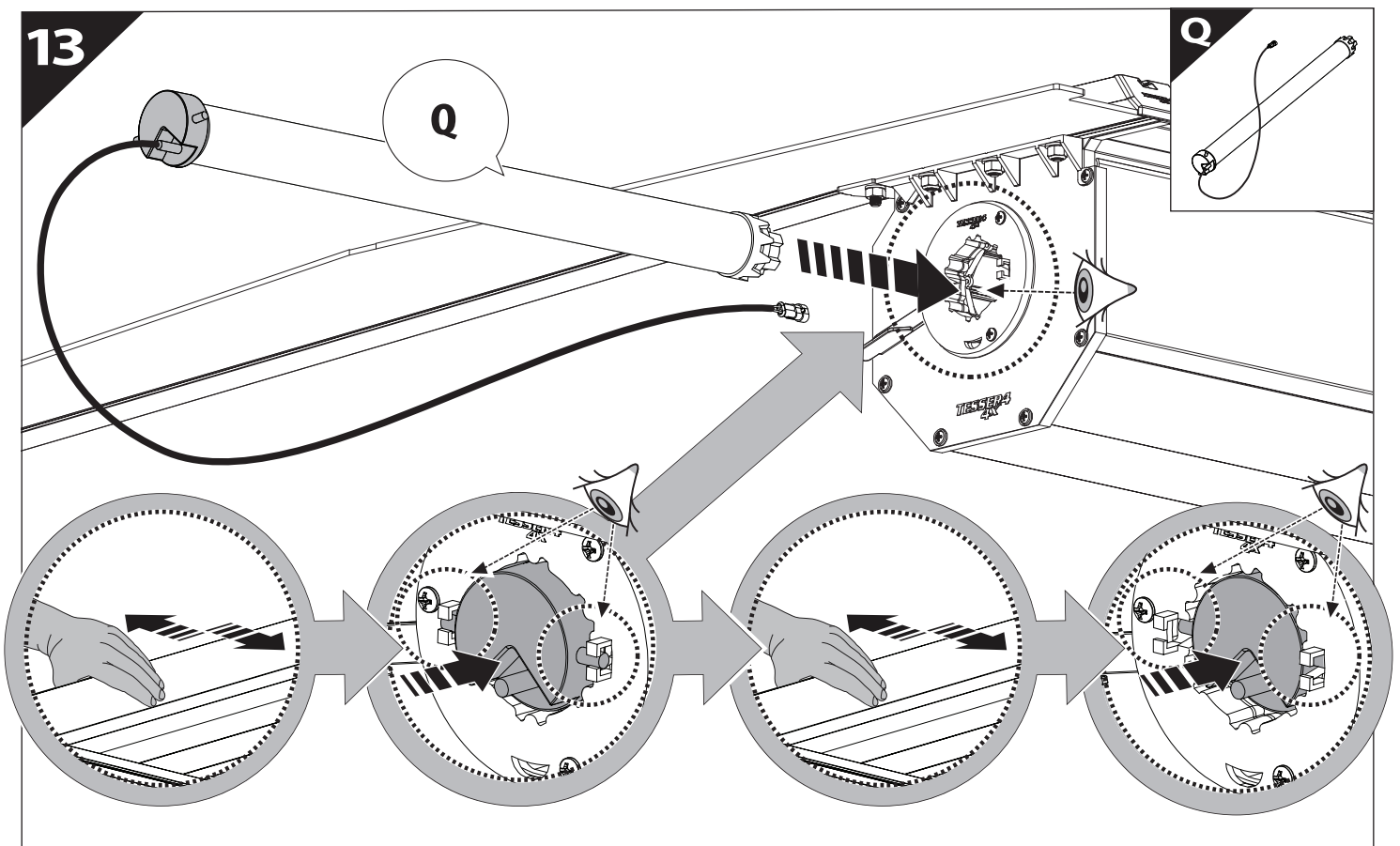
- 4 mm
- E1**
- x2

9

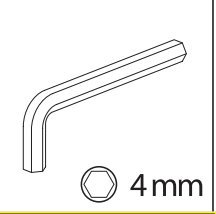
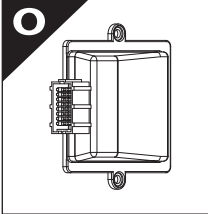


- E2**
- x1
- D2**
- x1
- 4 mm



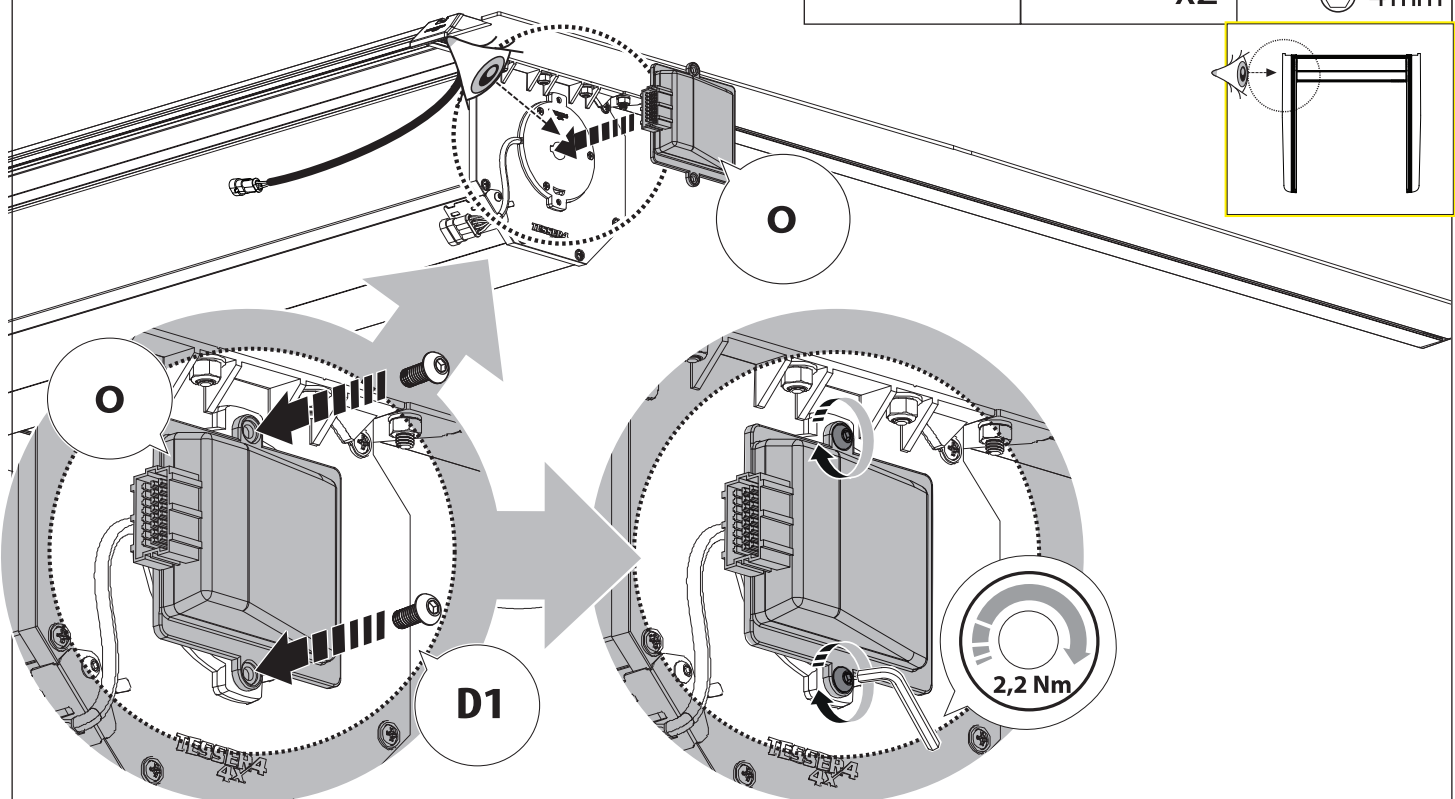
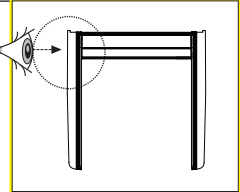


16

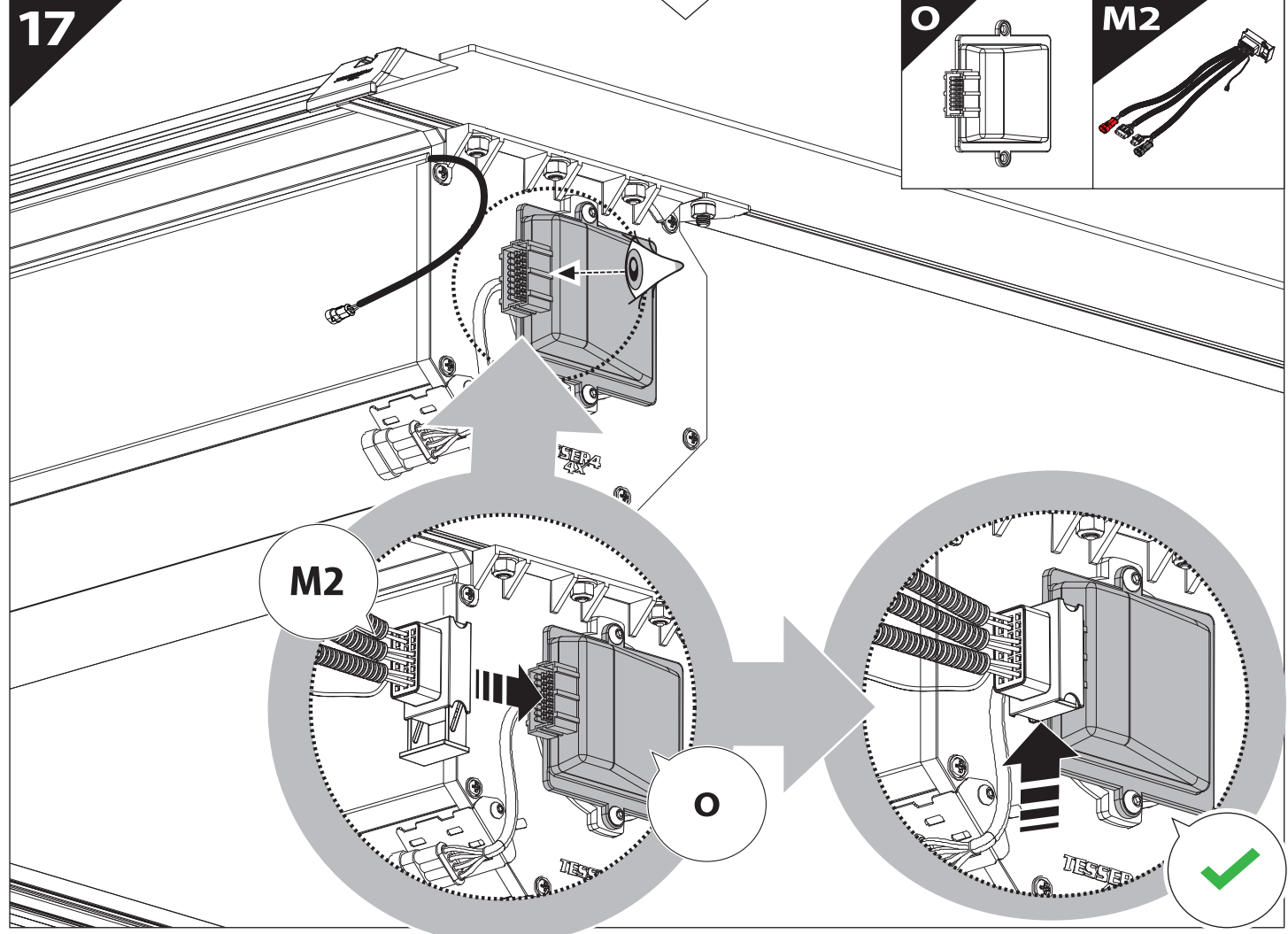
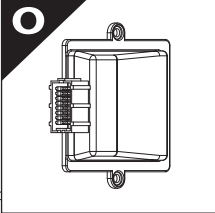


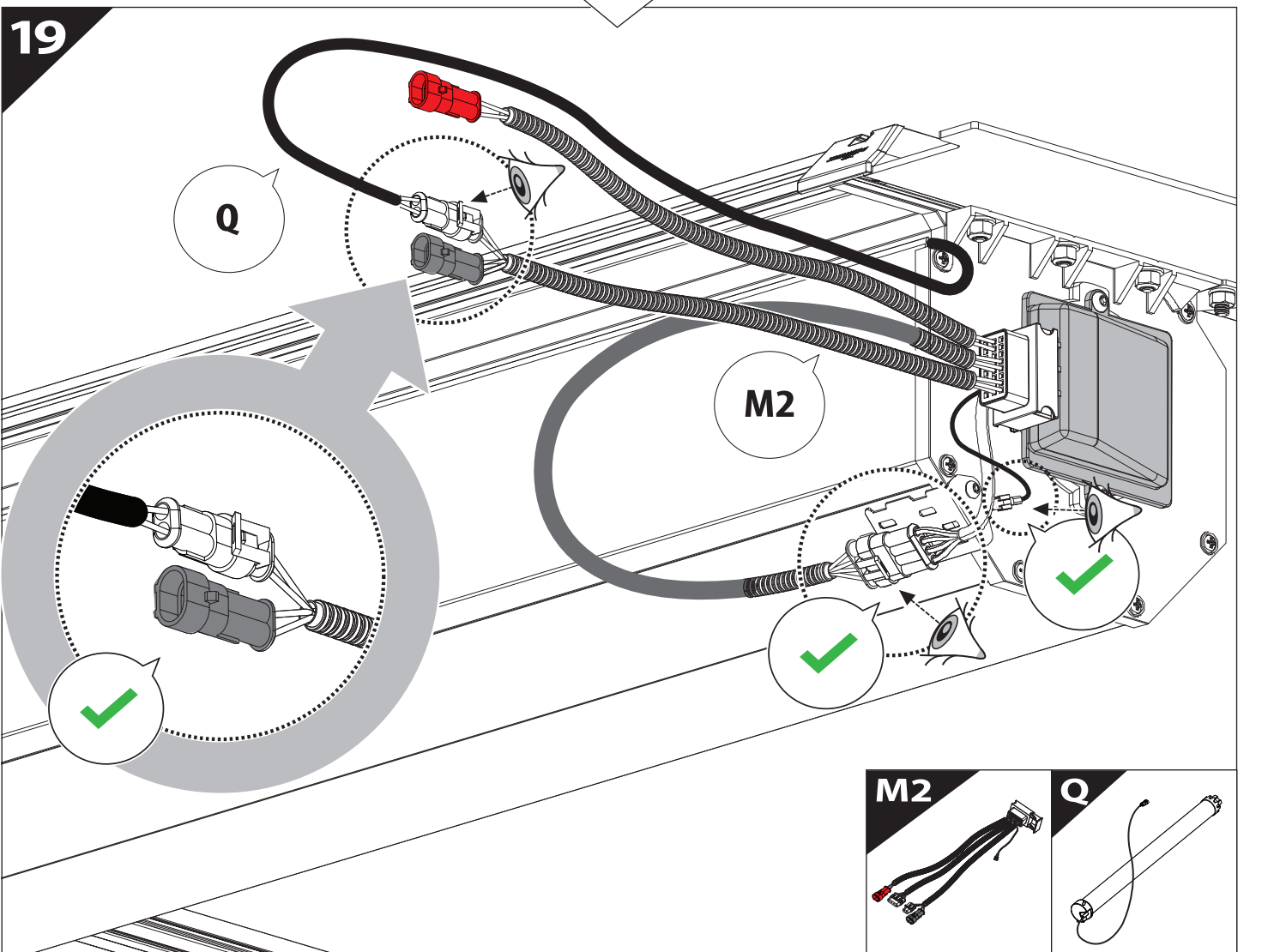
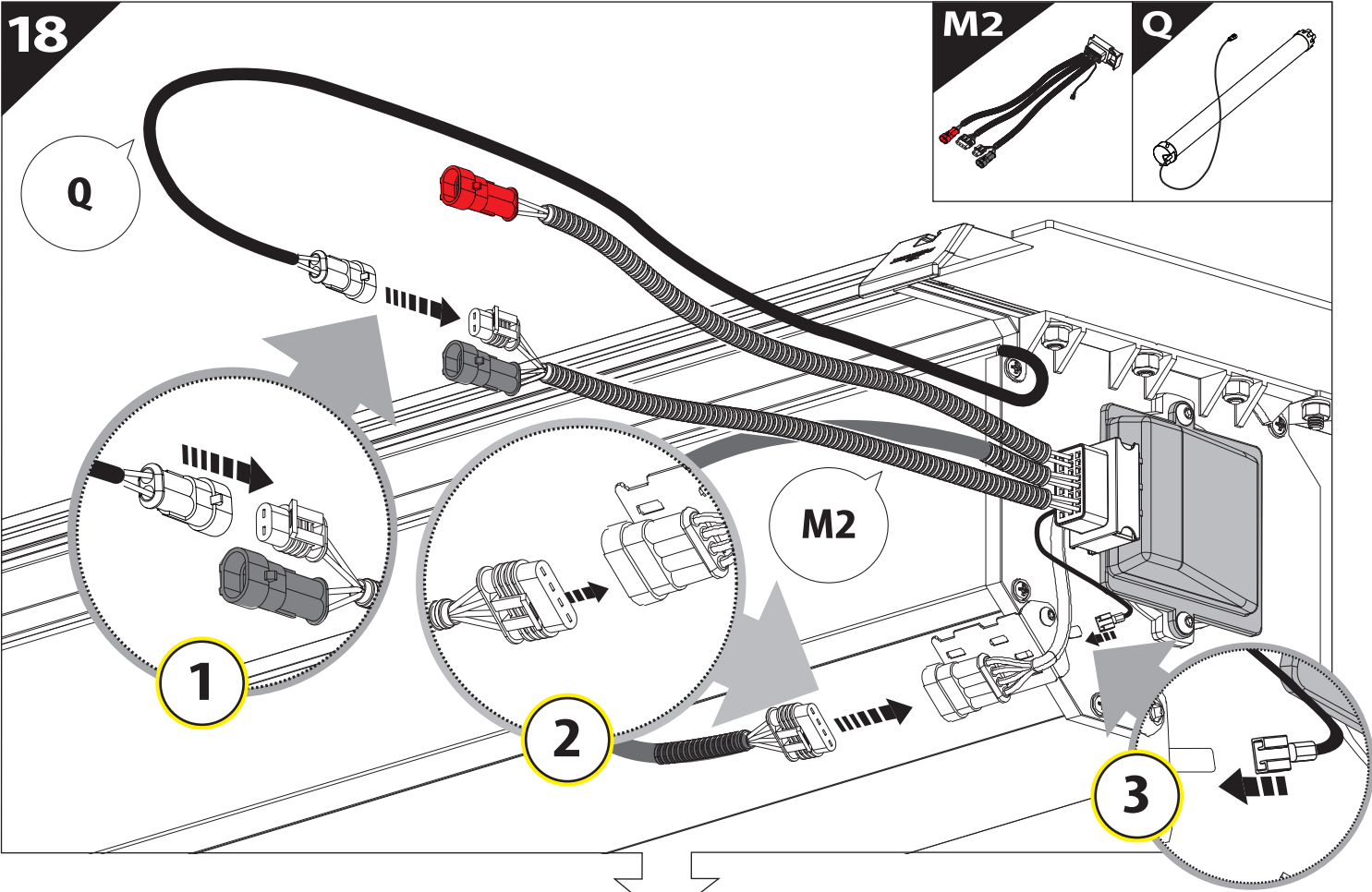
x2

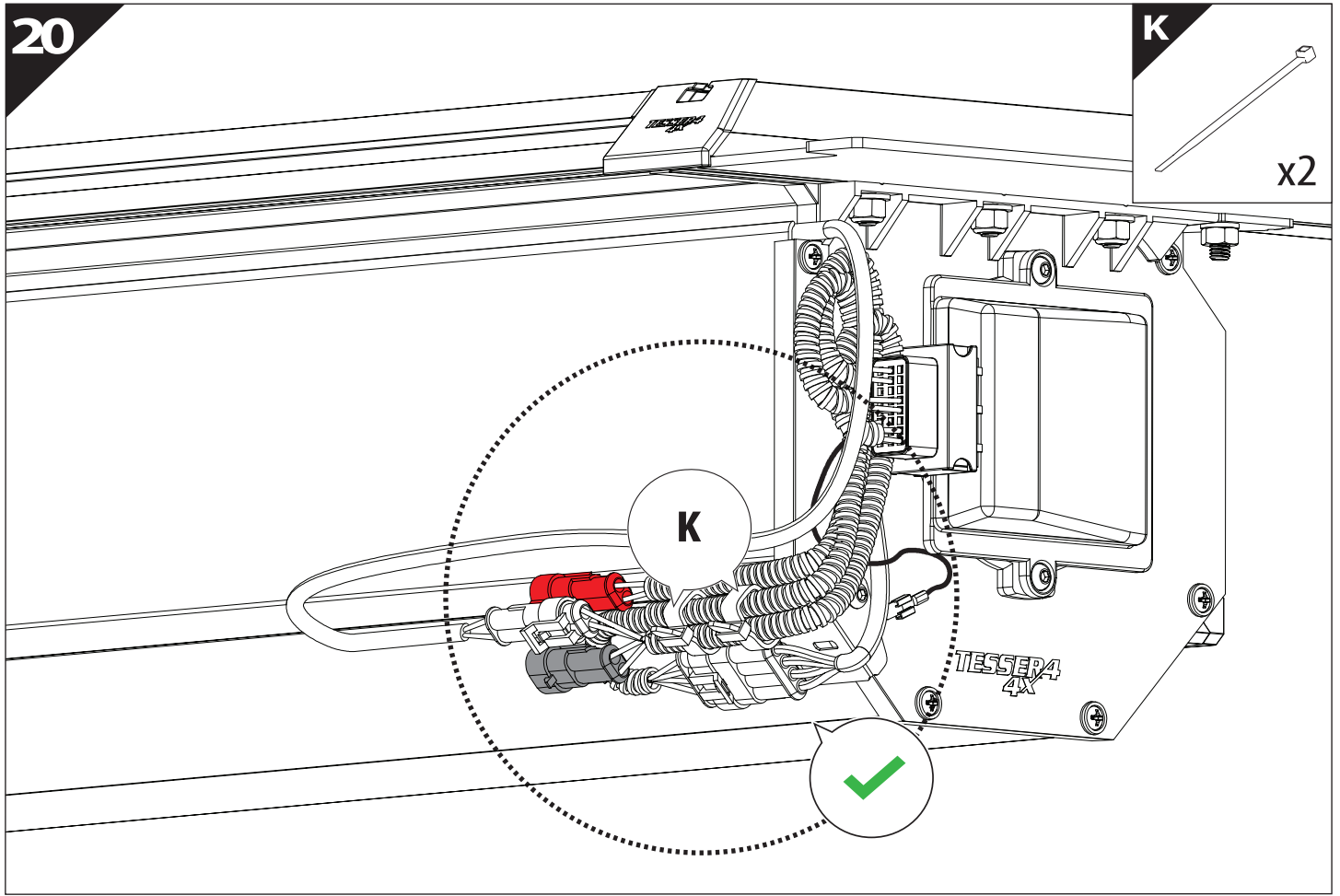
4mm



17







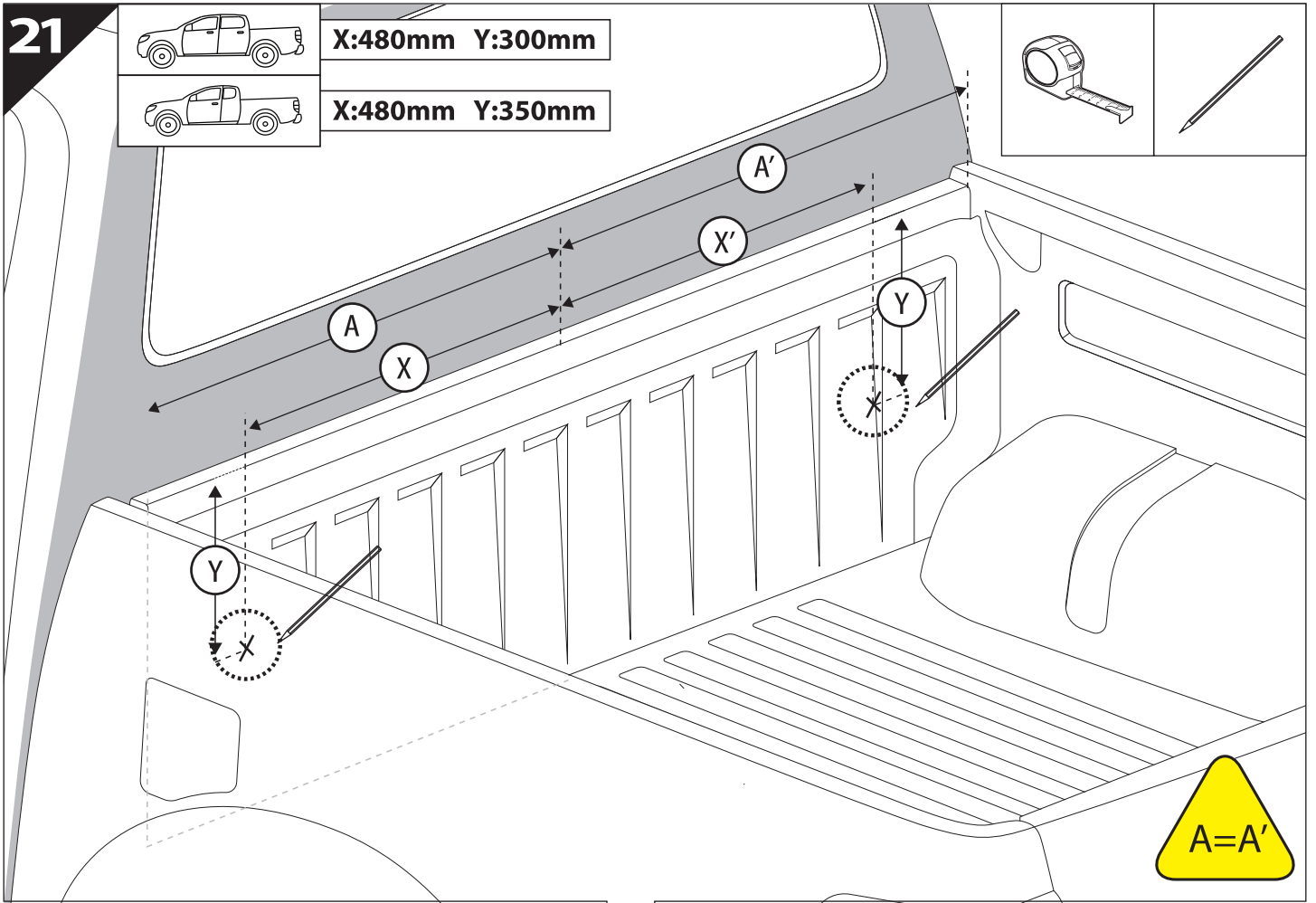
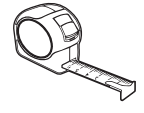
21



X:480mm Y:300mm



X:480mm Y:350mm



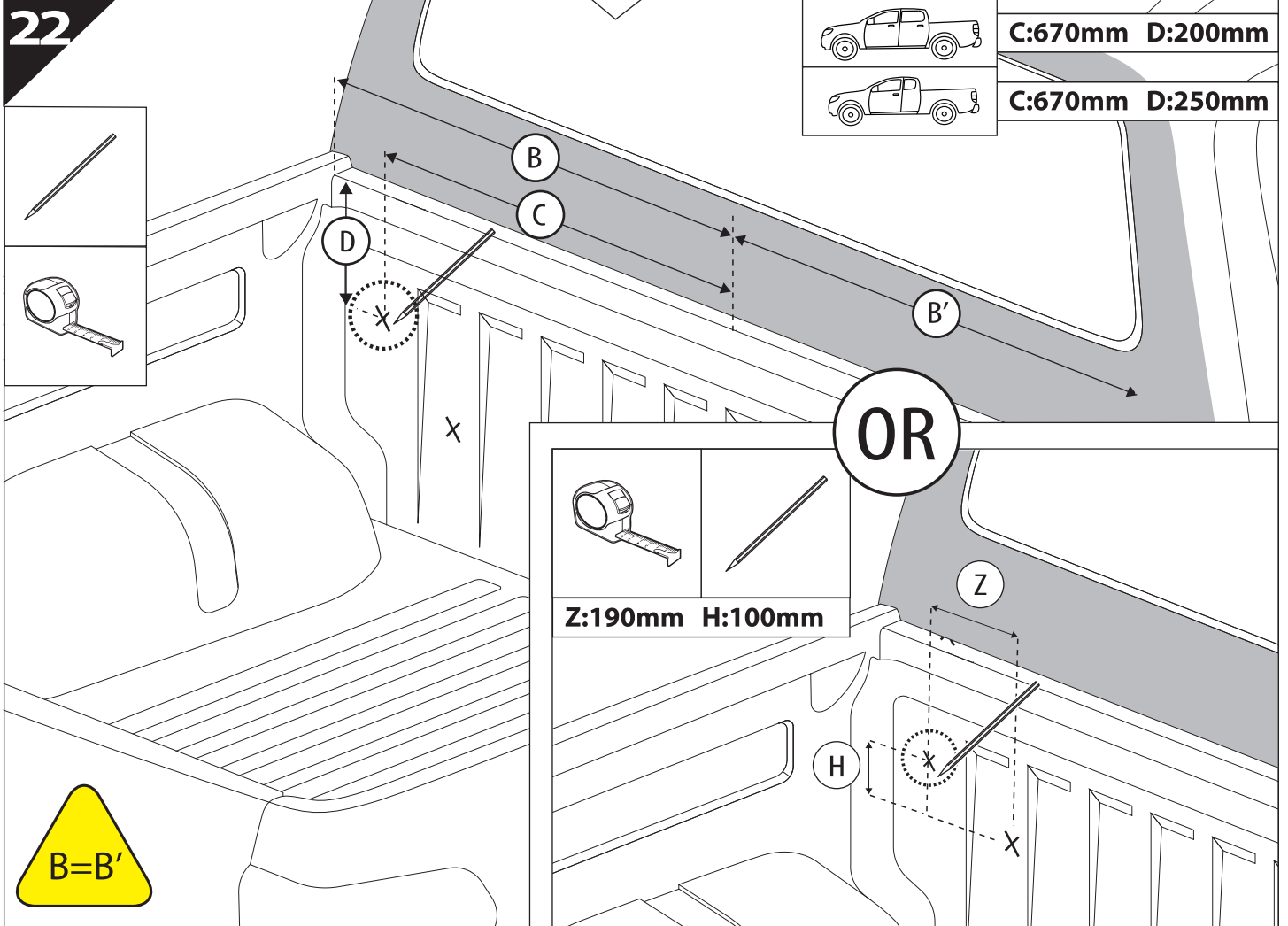
22



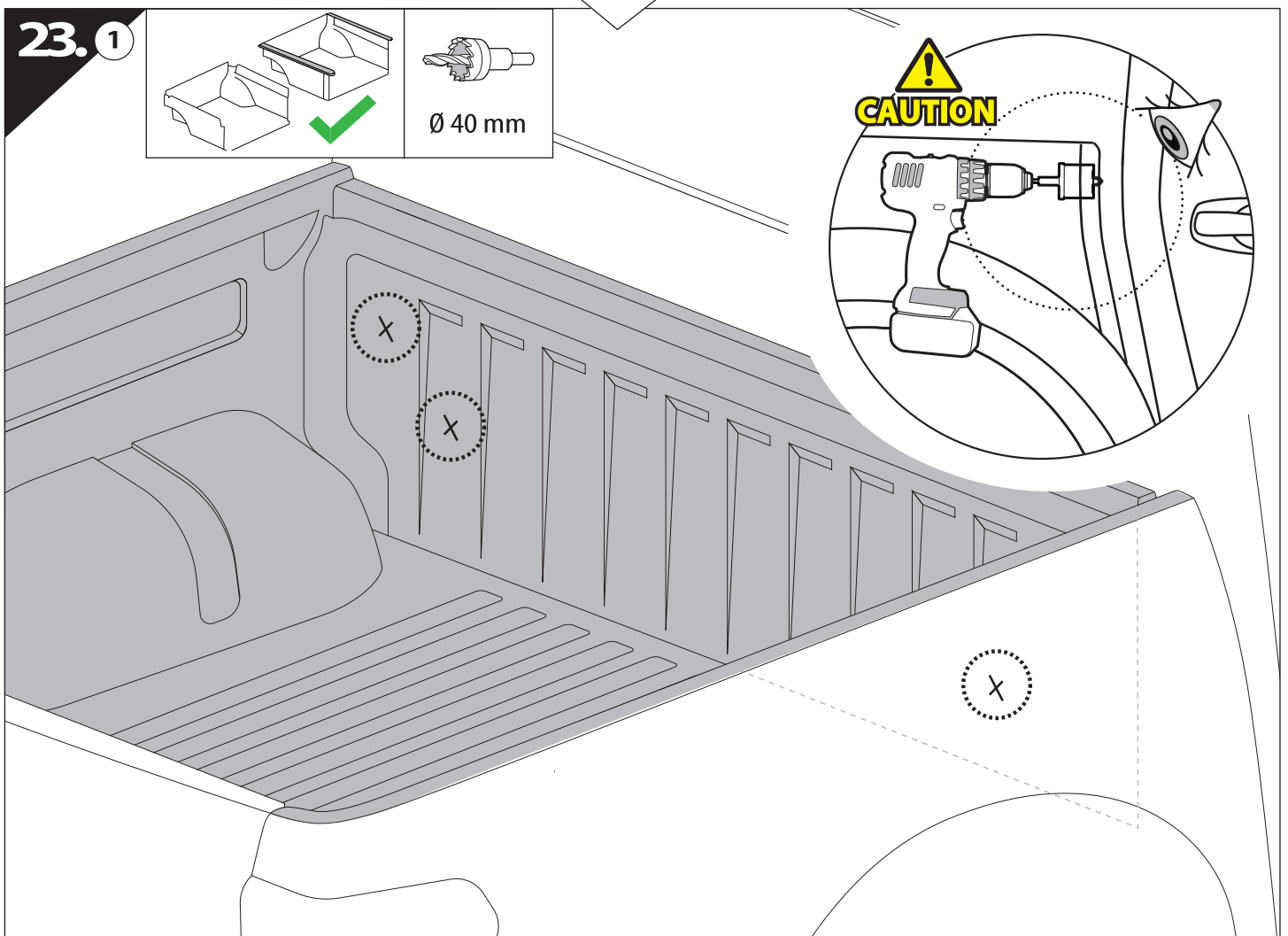
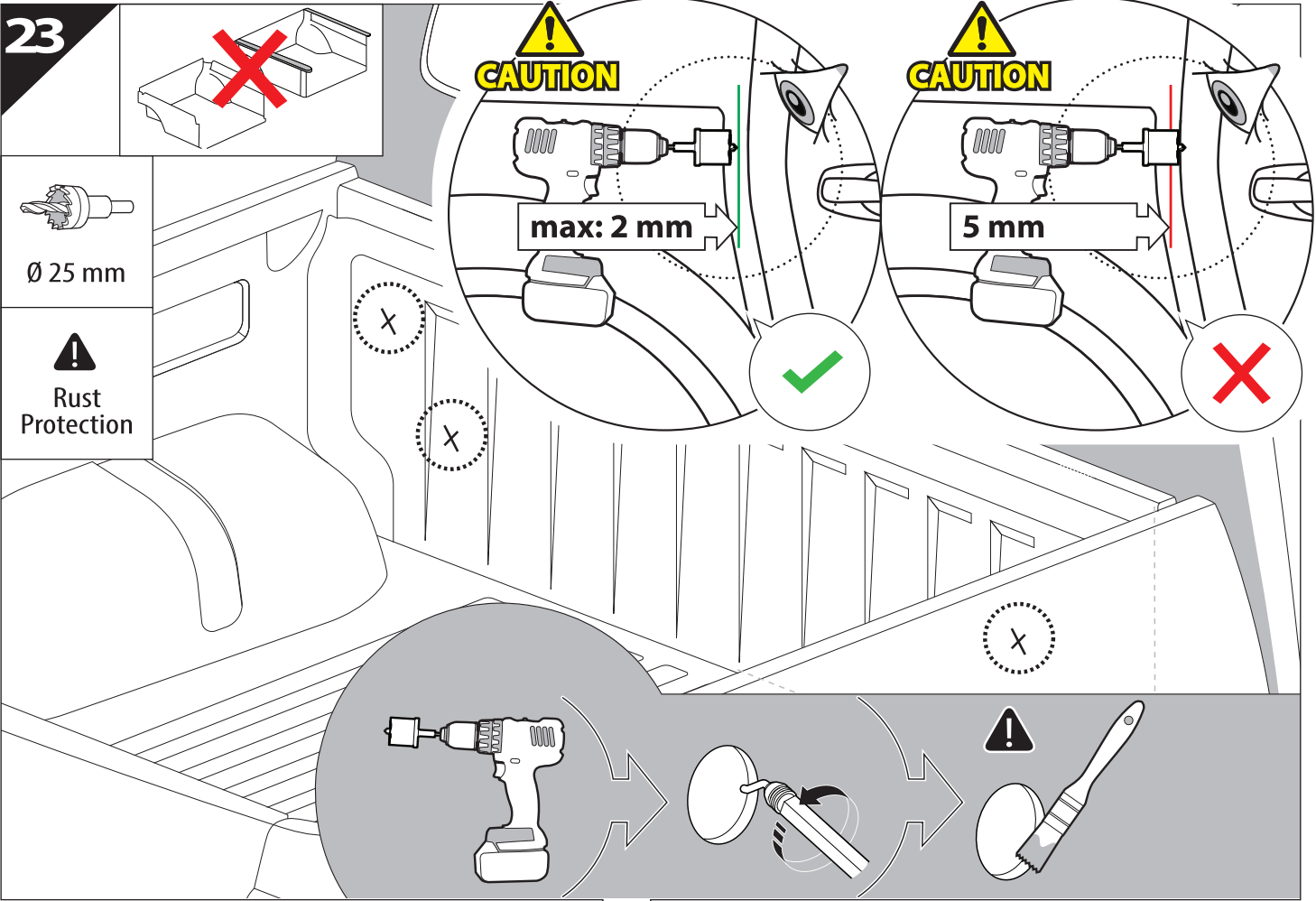
C:670mm D:200mm



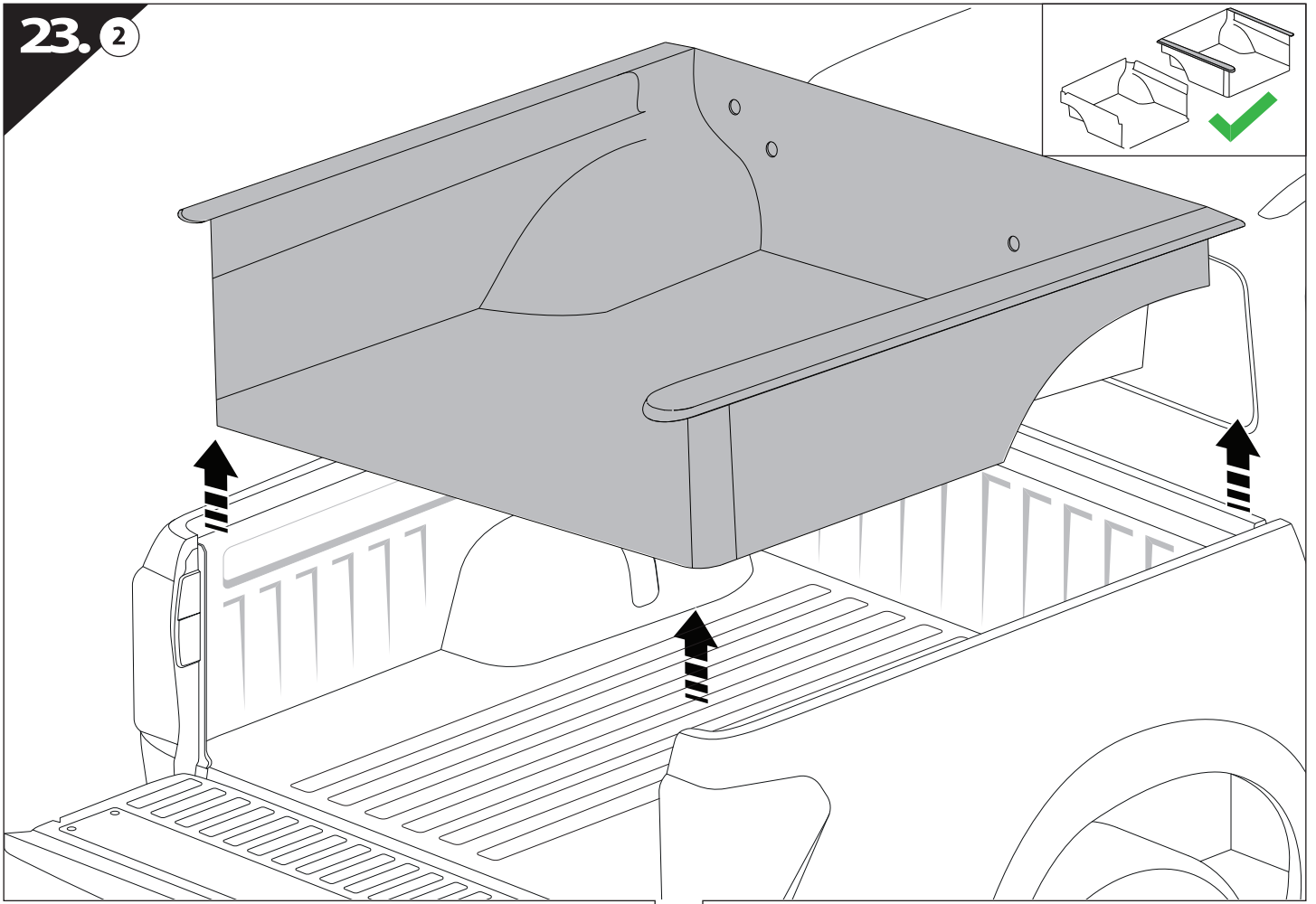
C:670mm D:250mm



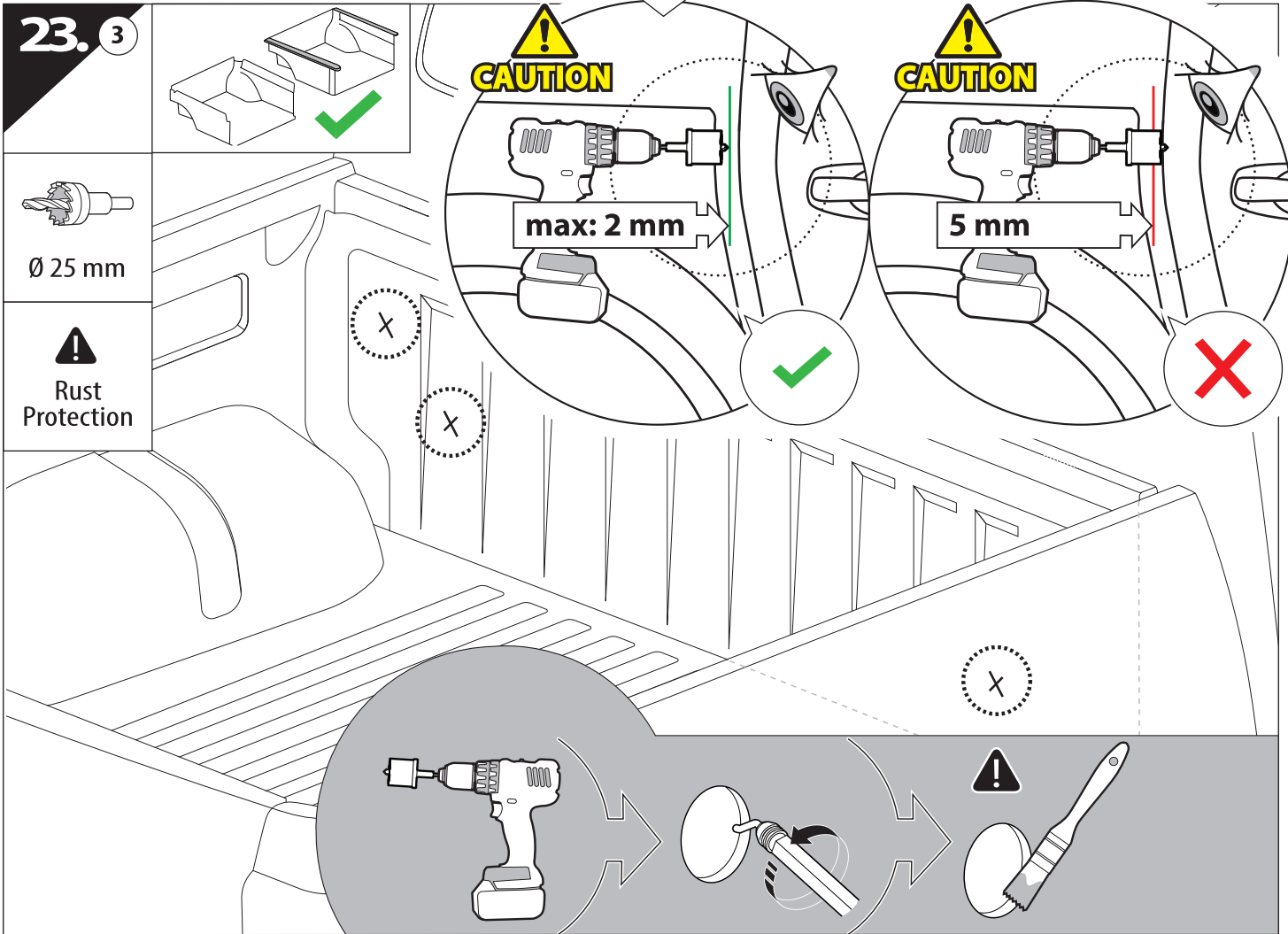


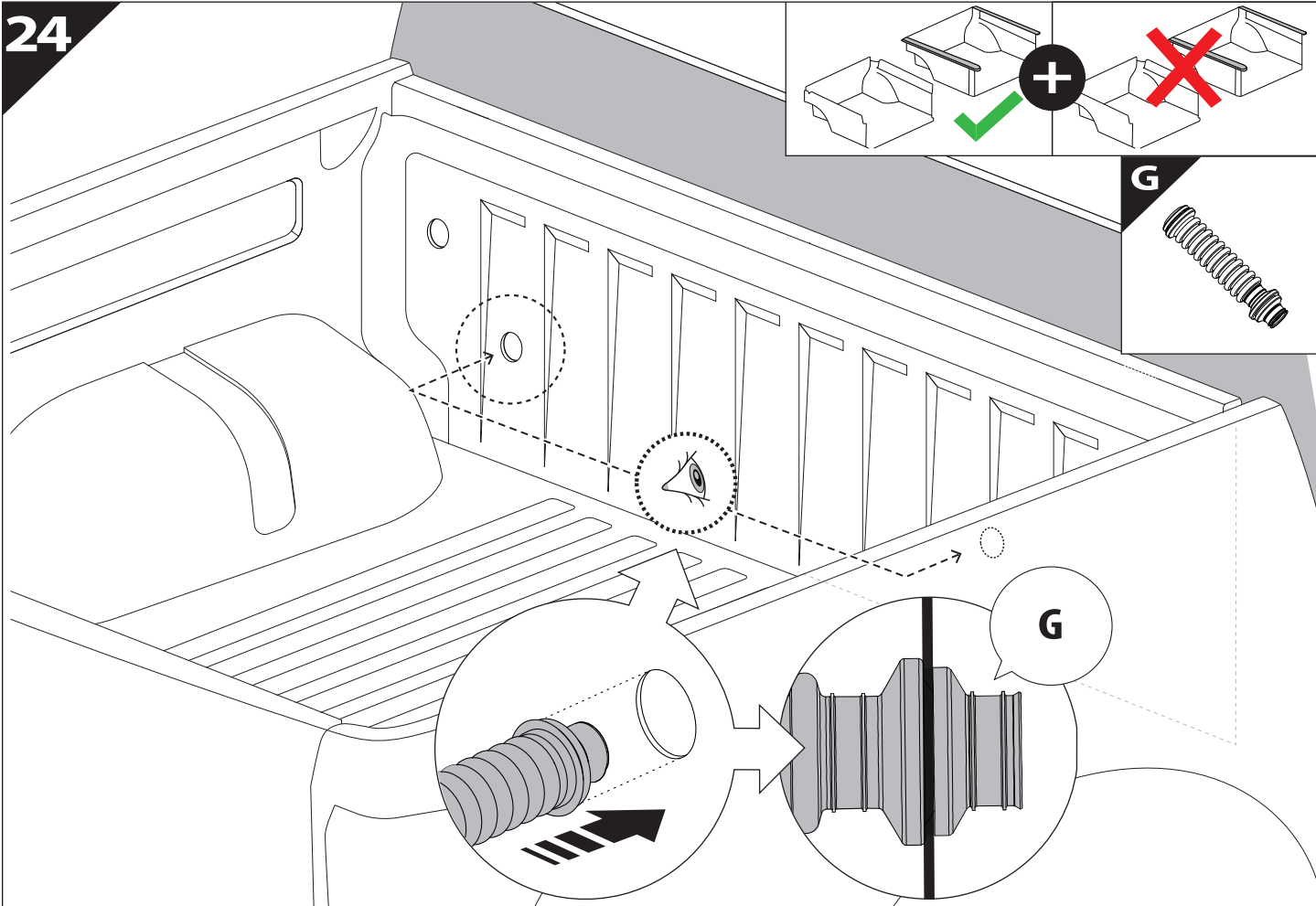


23. 2

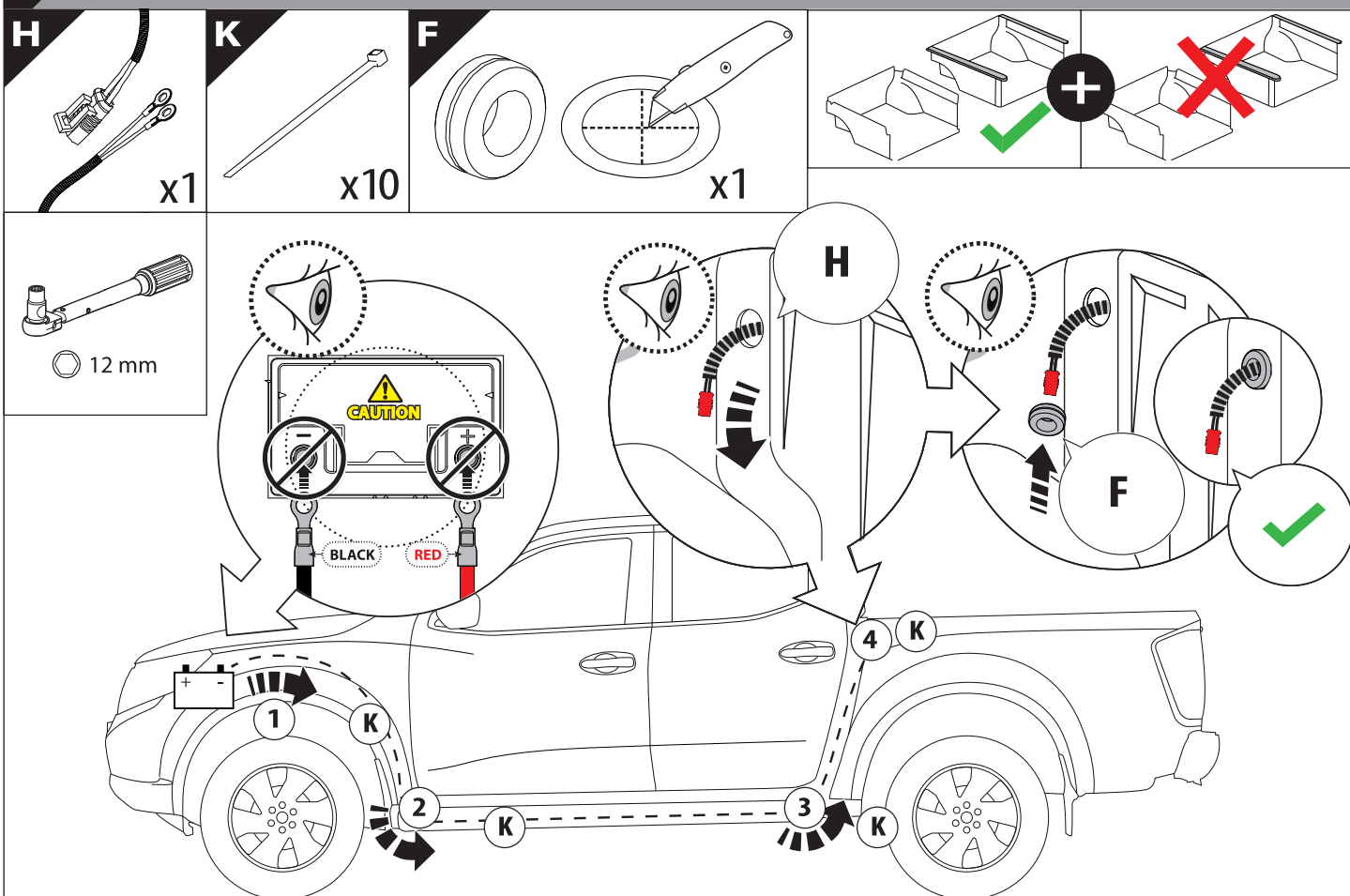


23. 3

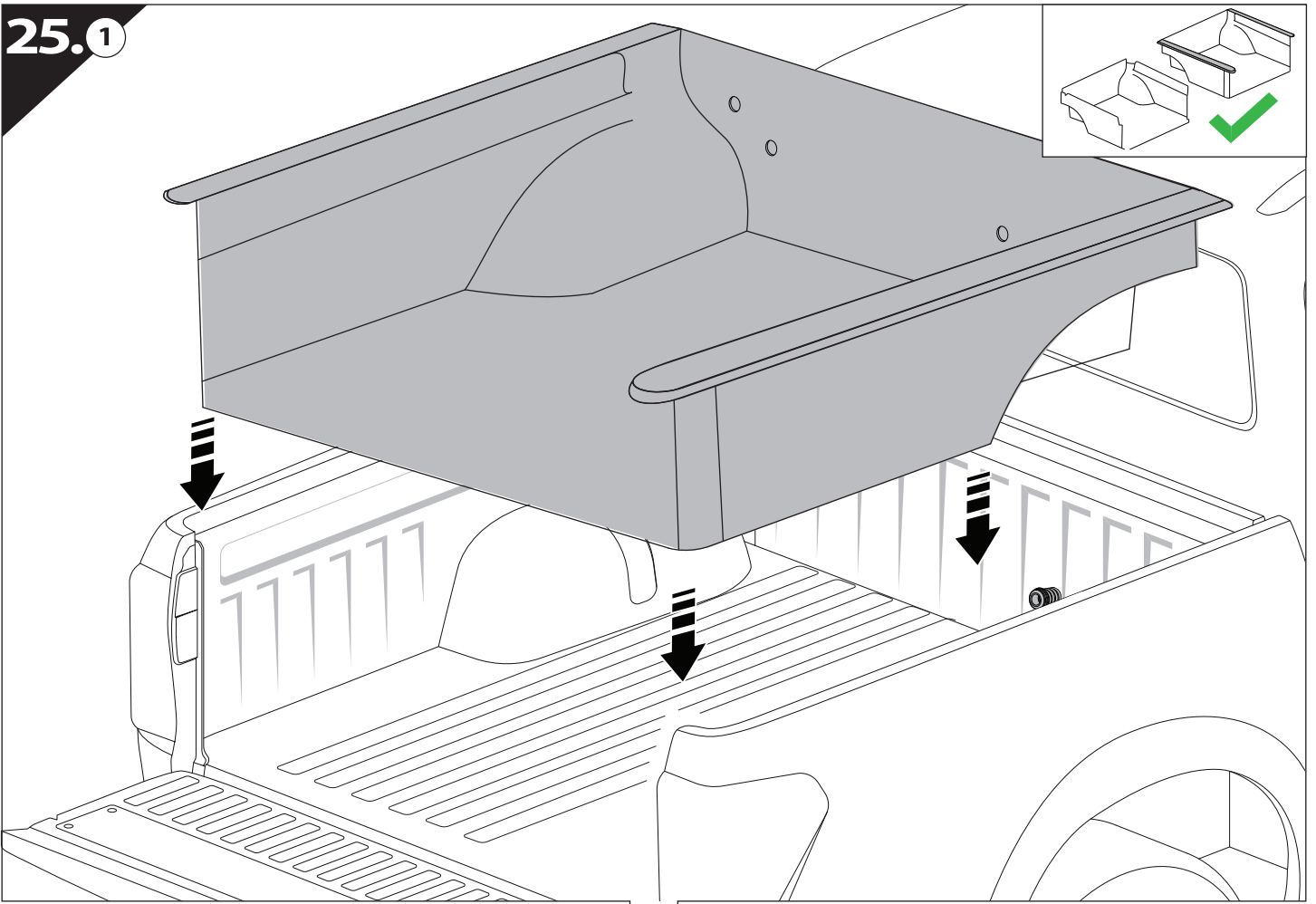




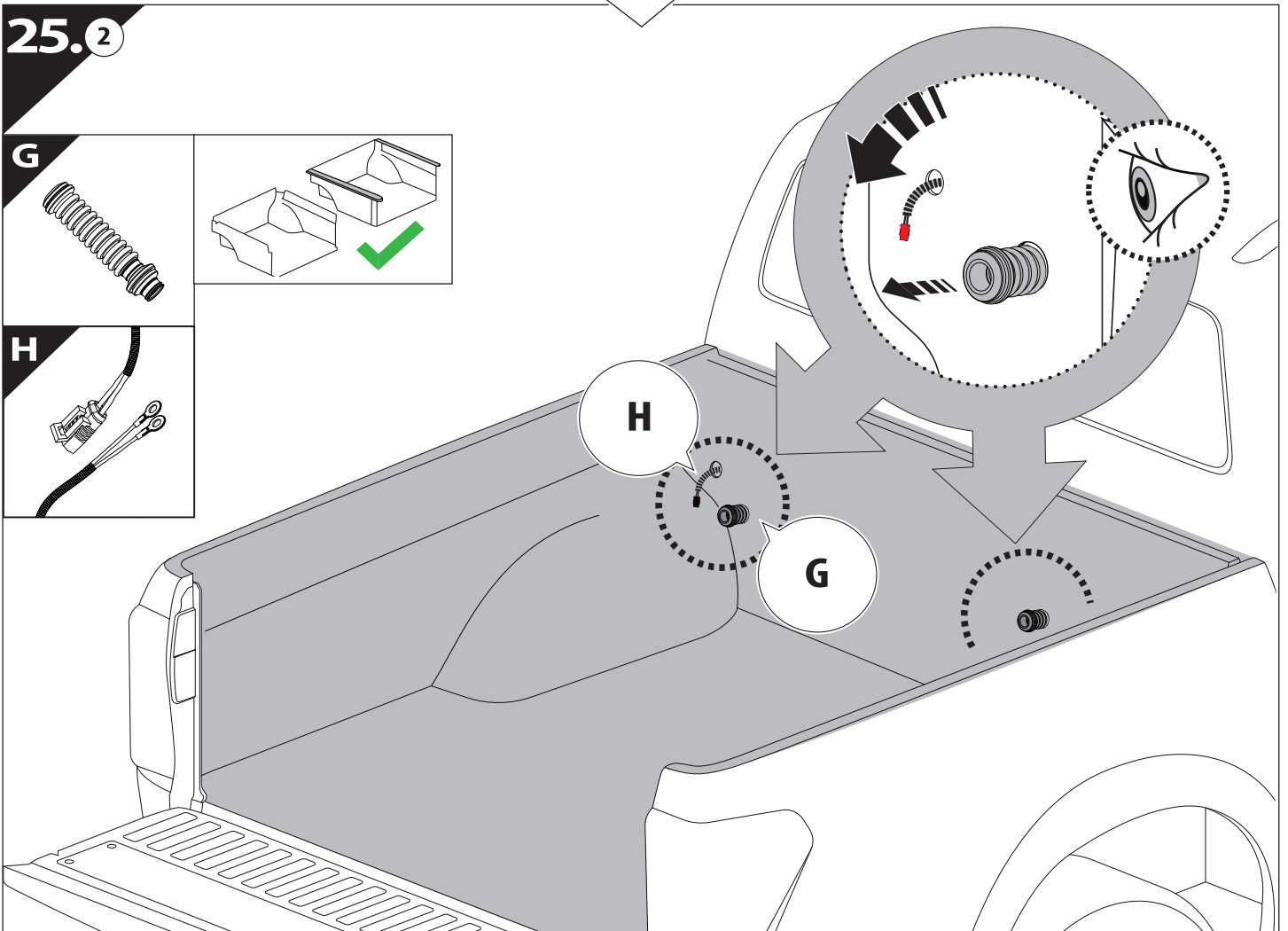
**25** Only to be installed by authorized personnel

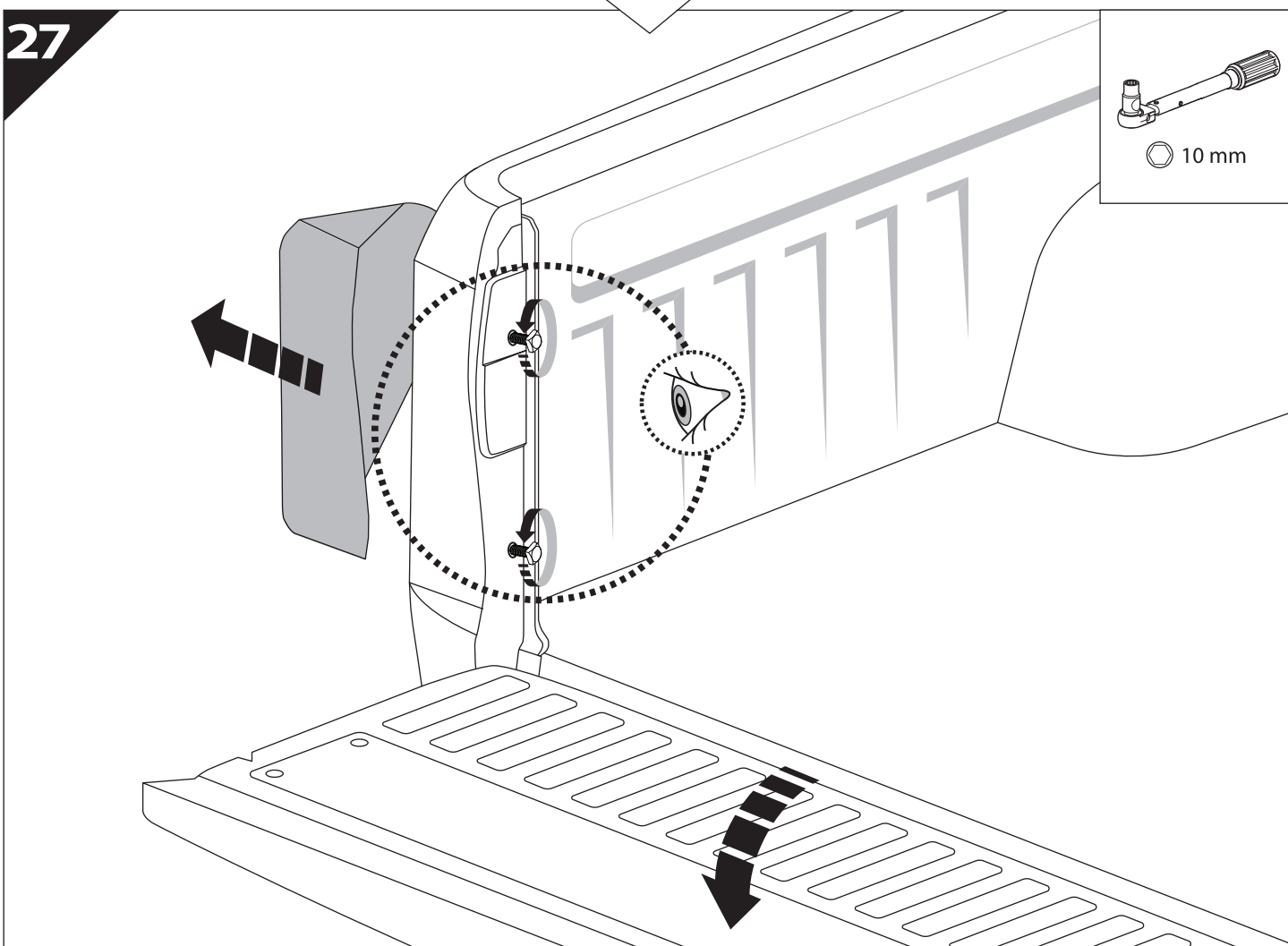
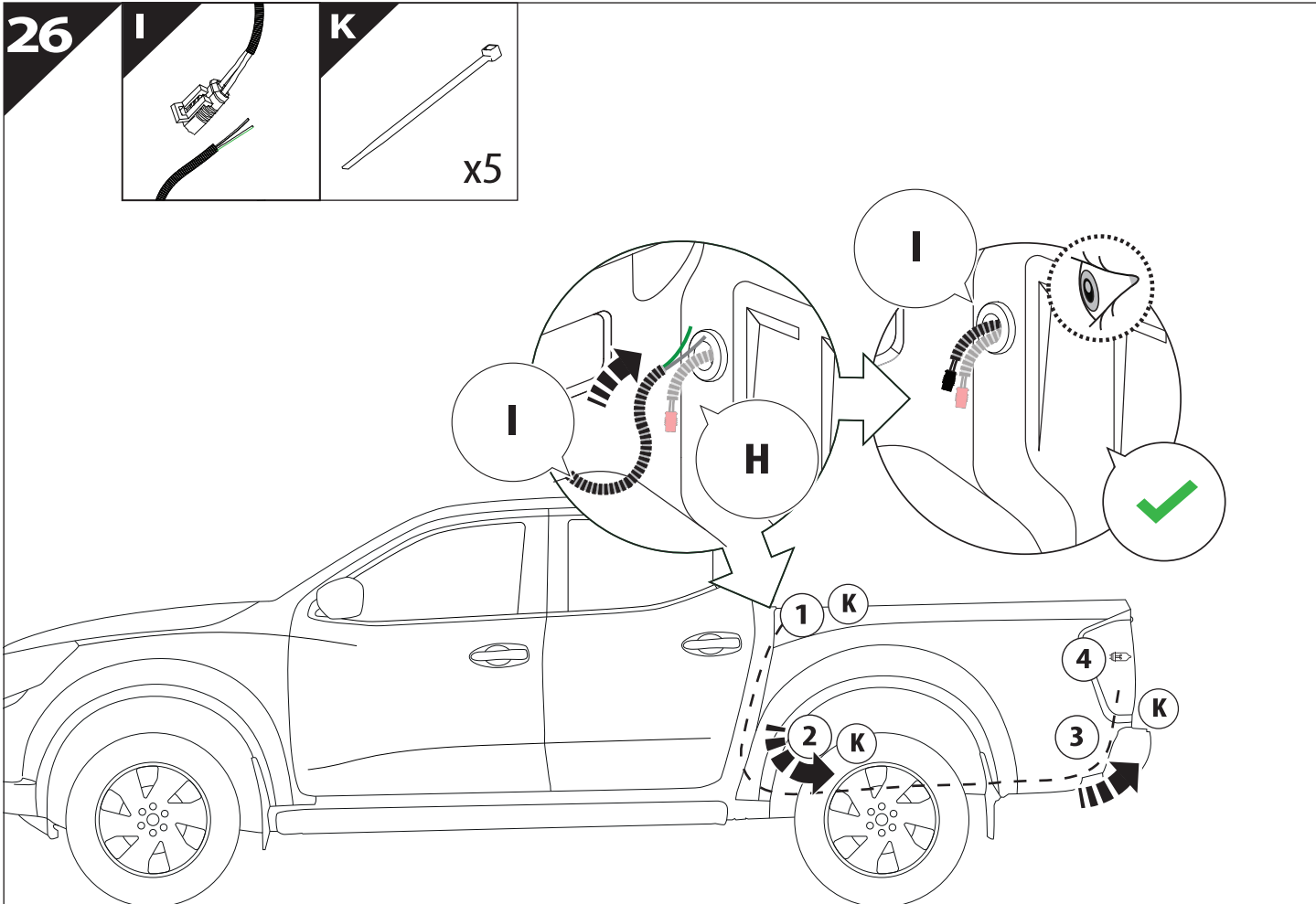


25.1

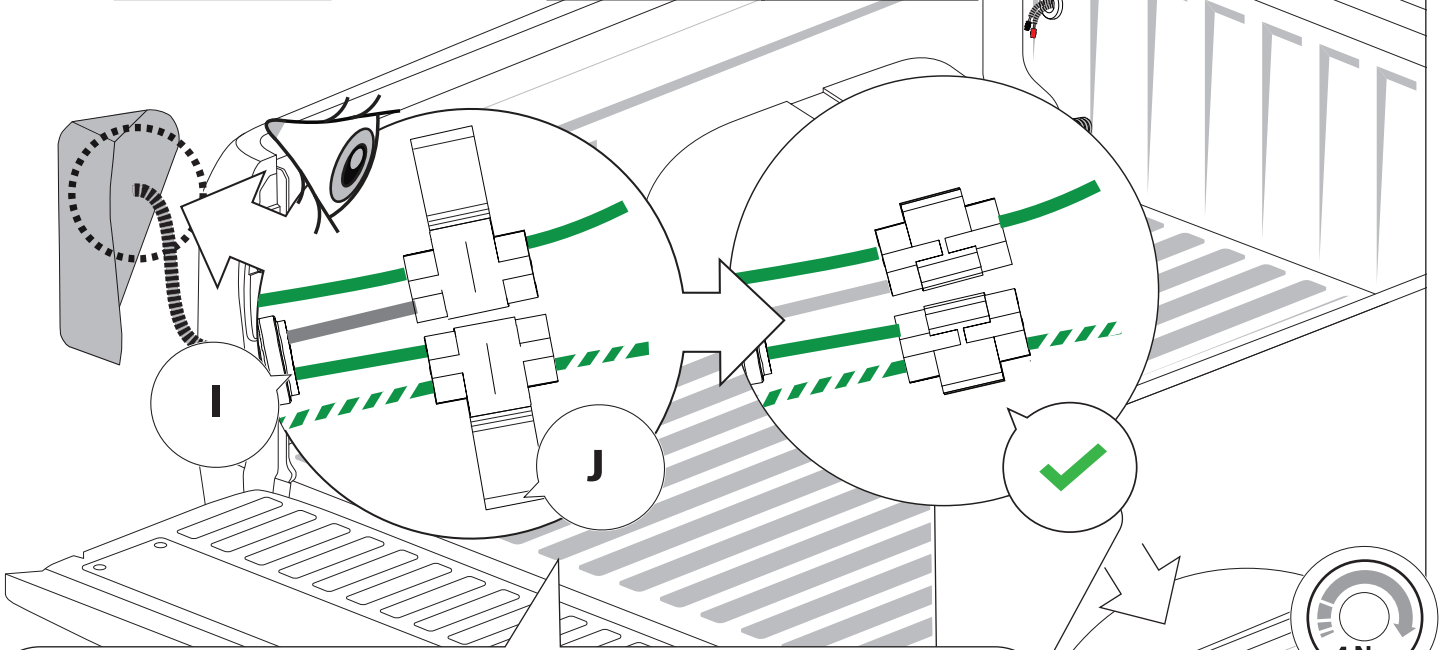
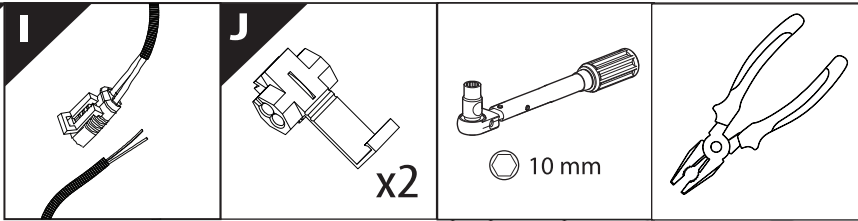


25.2

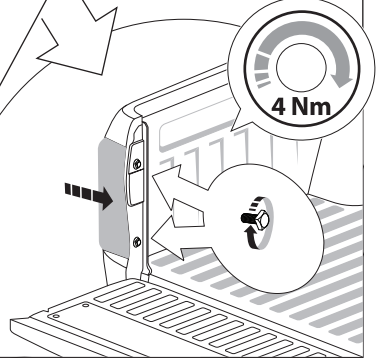




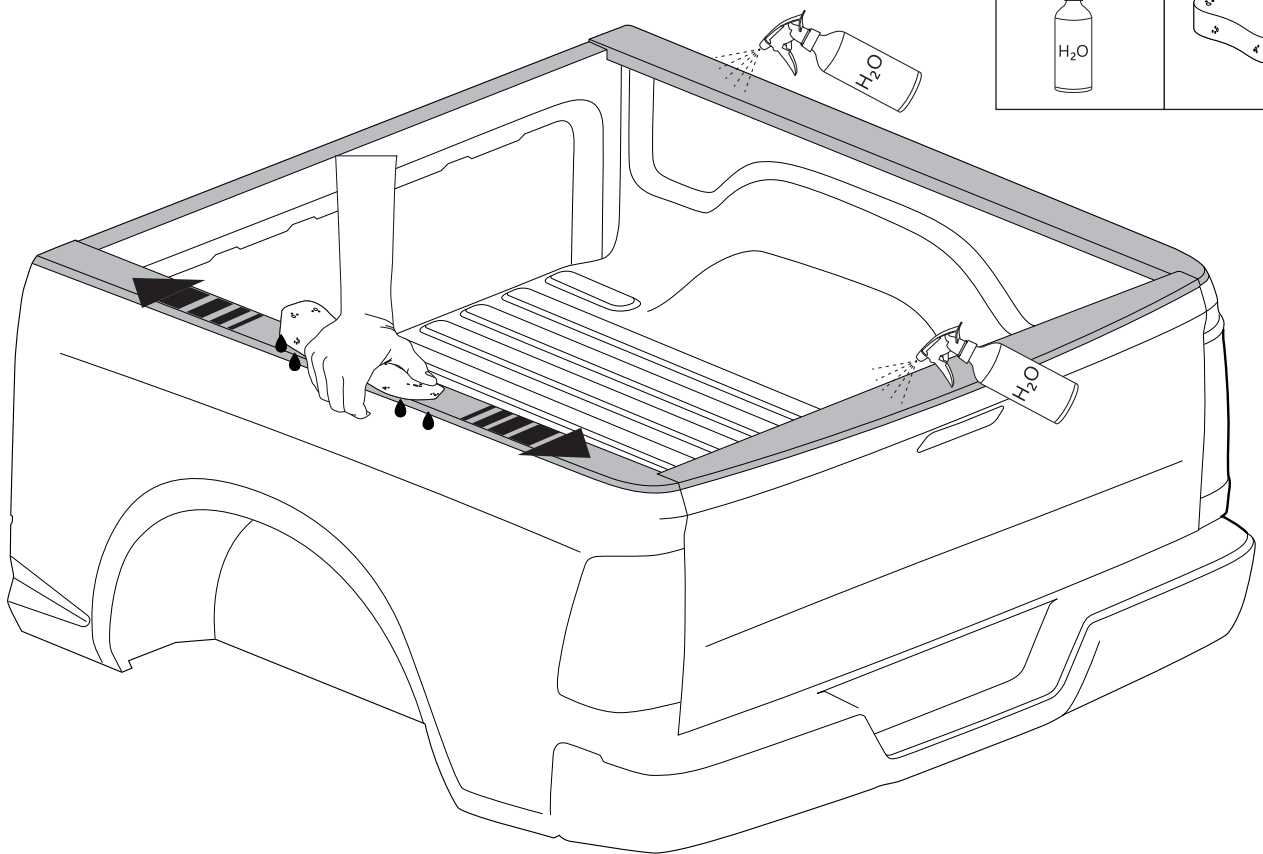
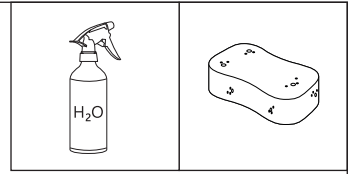
28

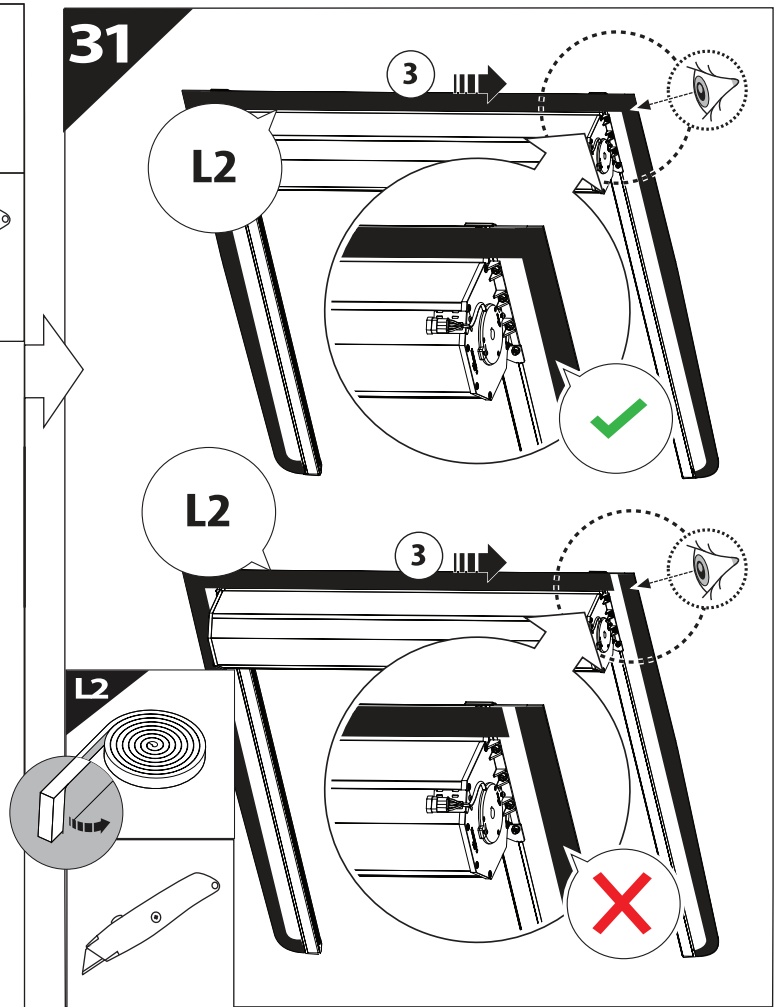
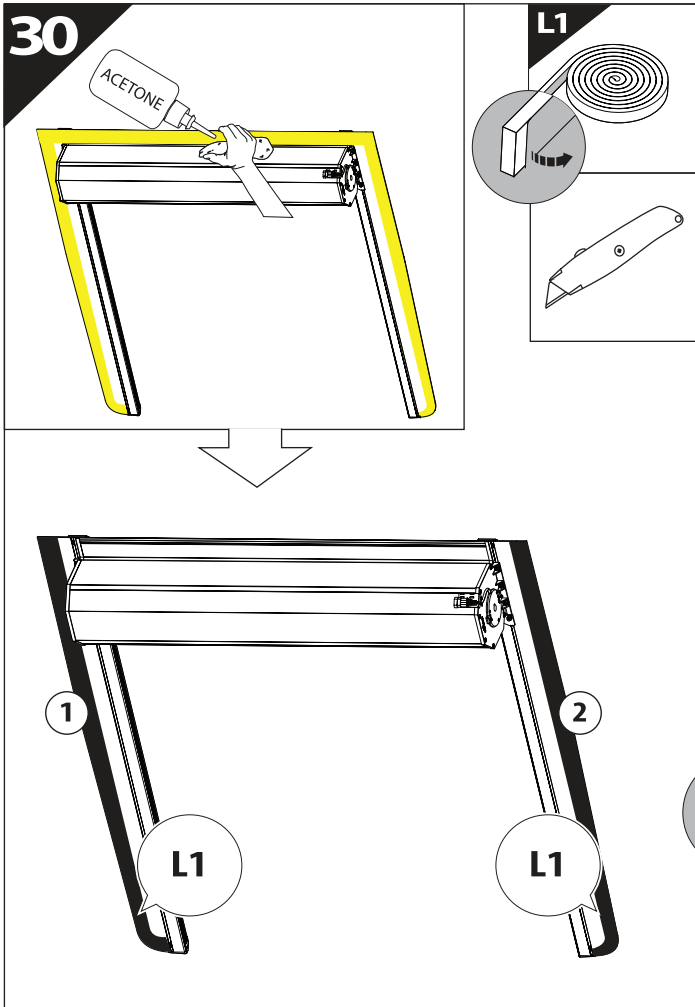


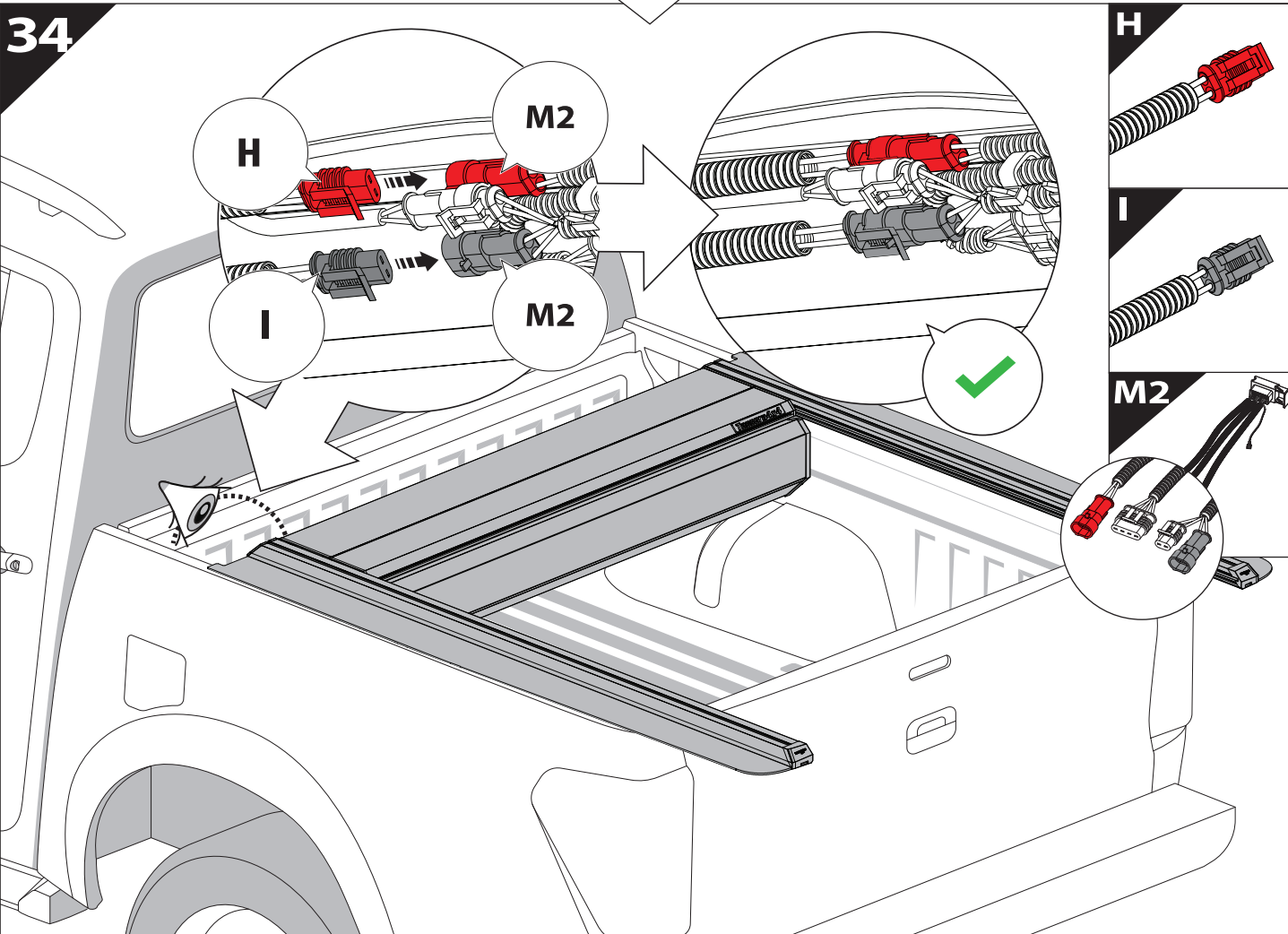
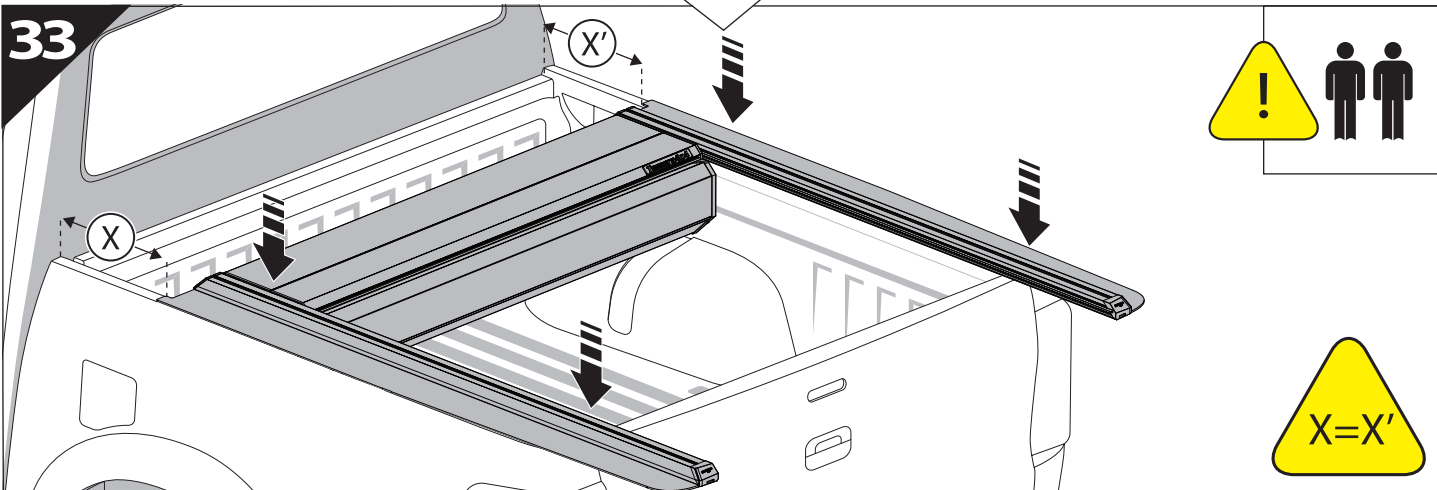
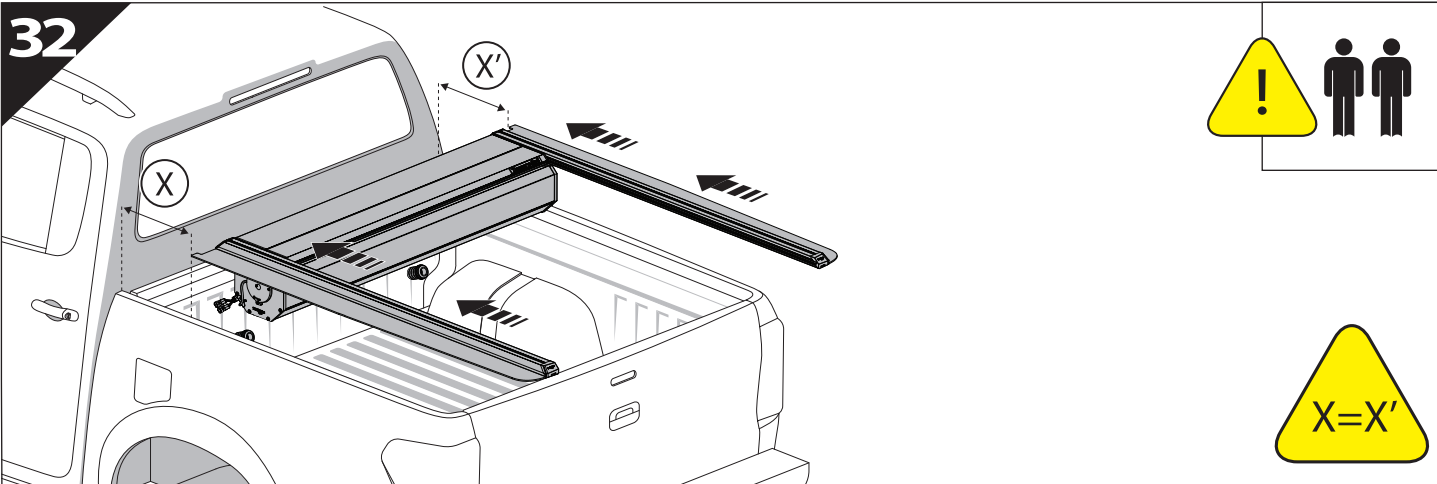
MODEL YEAR	LIGHTS	CAR	TESSERA ROLL+
HILUX 2016+/2021+	BEAM		
HILUX 2016+	STOP		
HILUX 2021+	STOP		



29



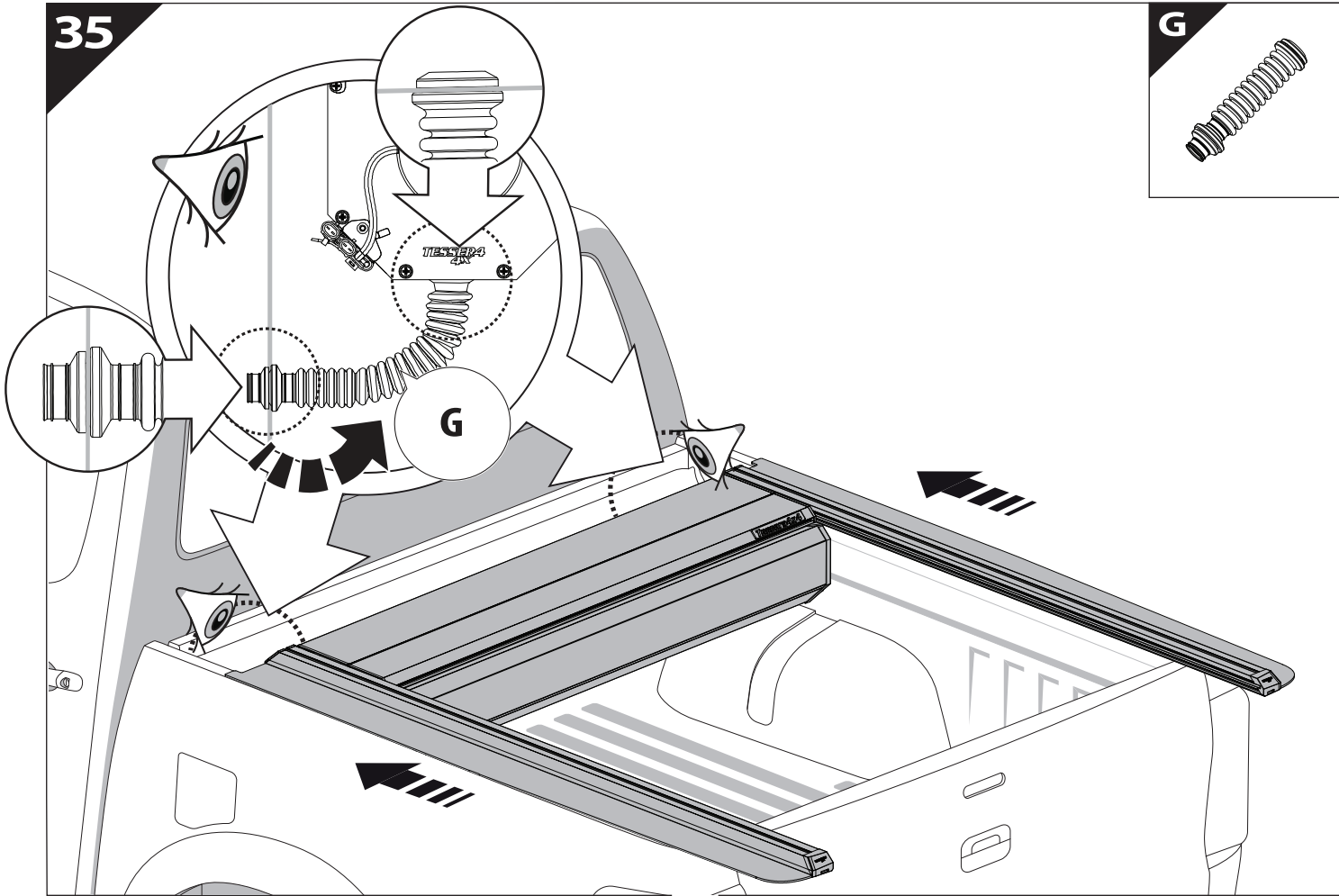




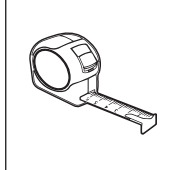
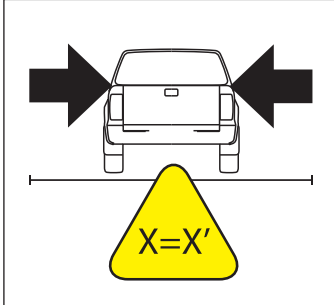
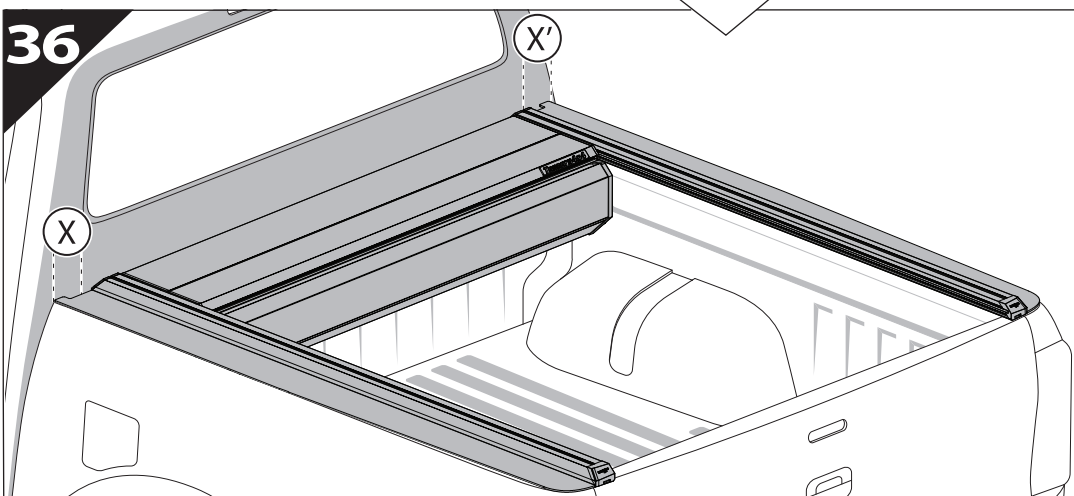


35

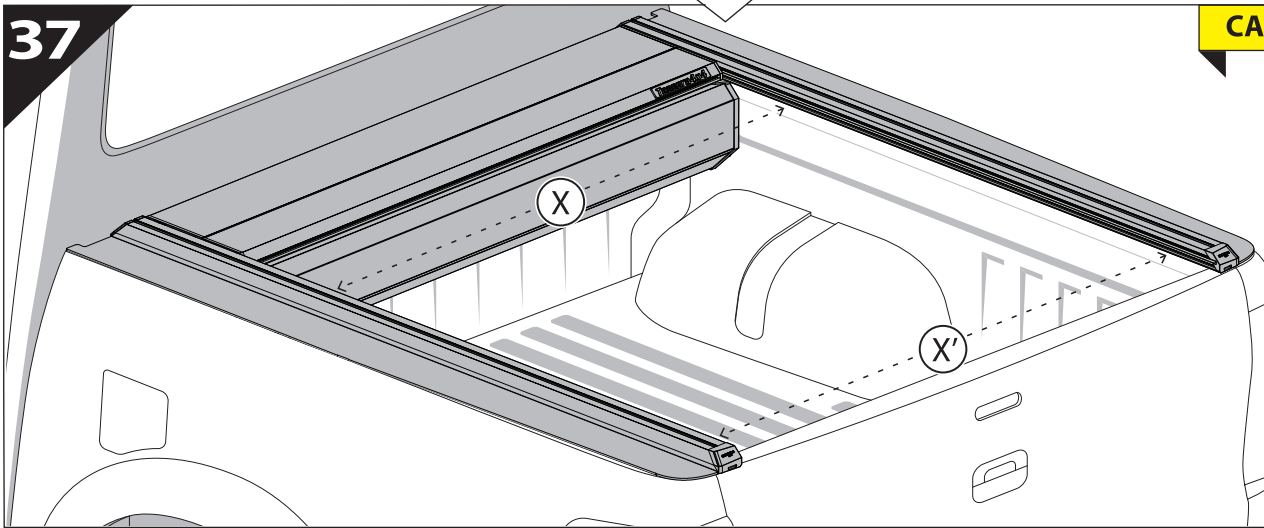
G



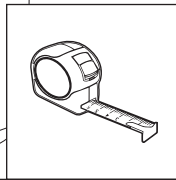
36



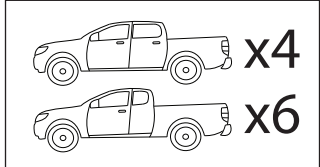
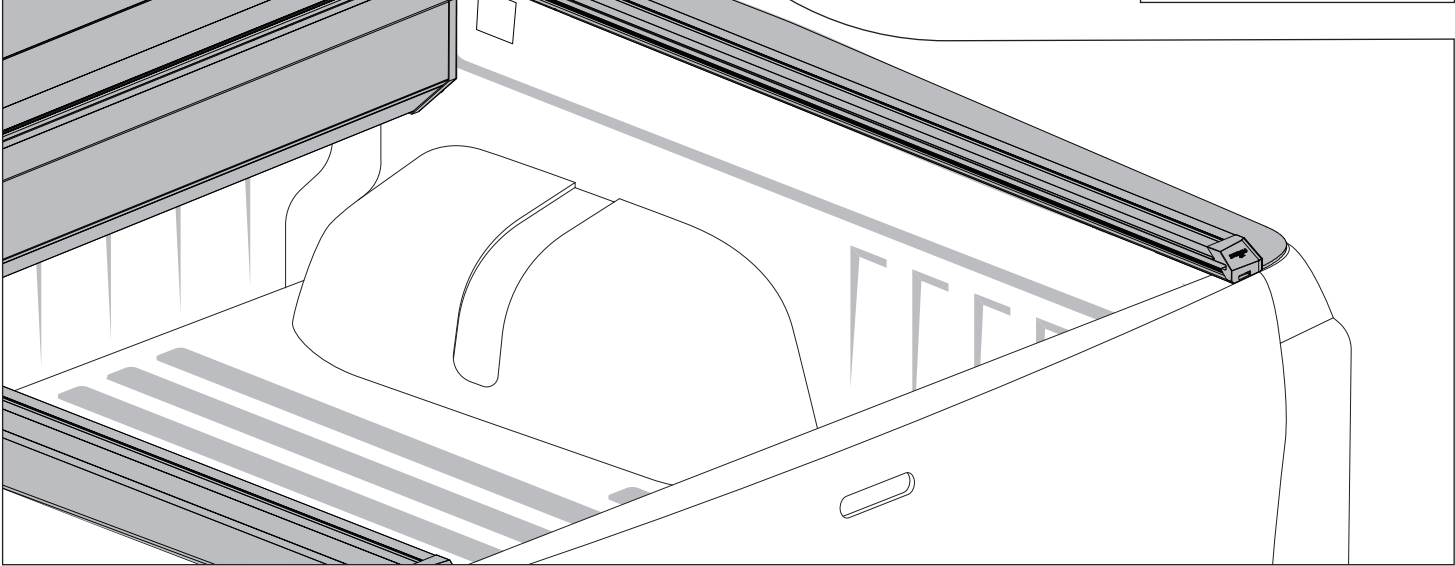
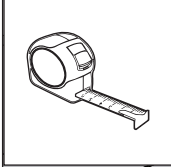
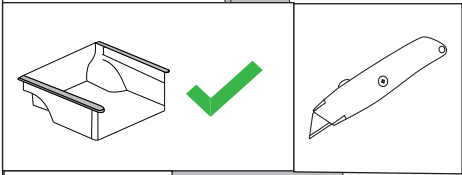
37



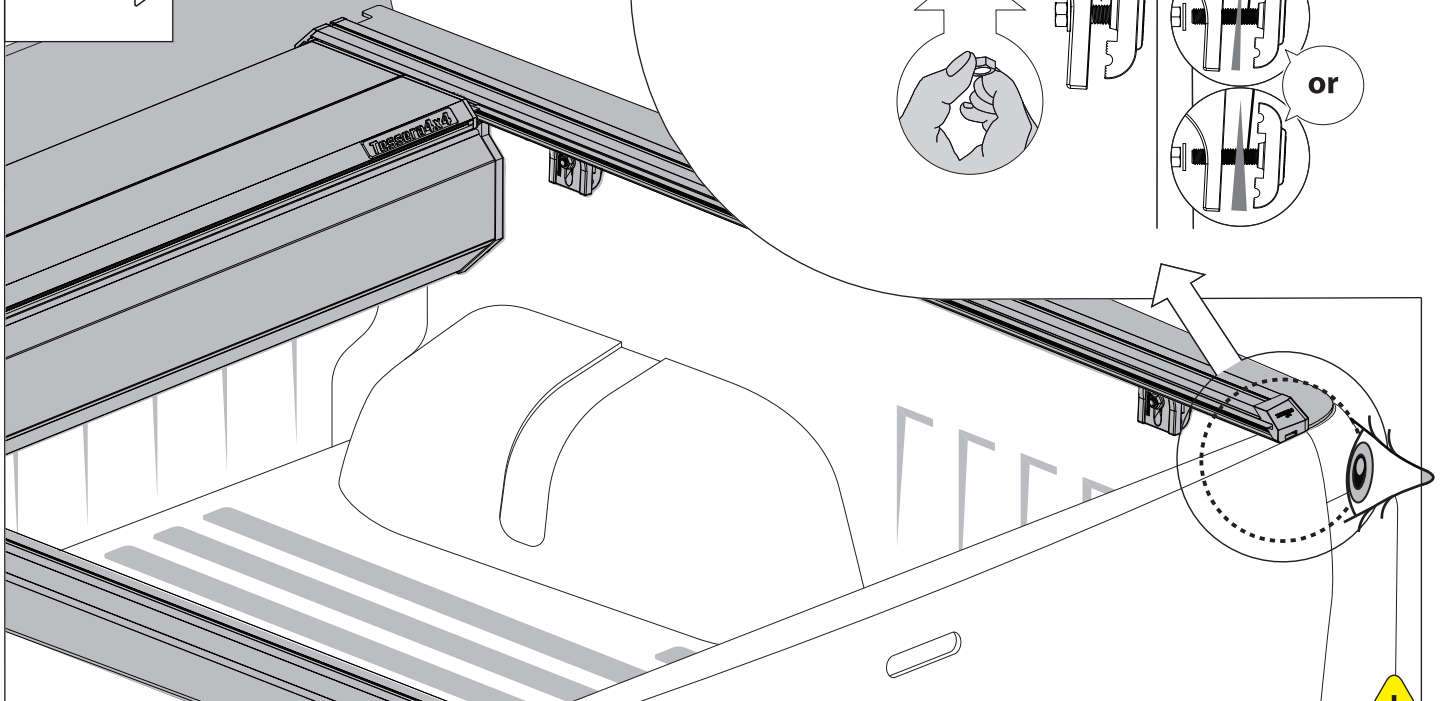
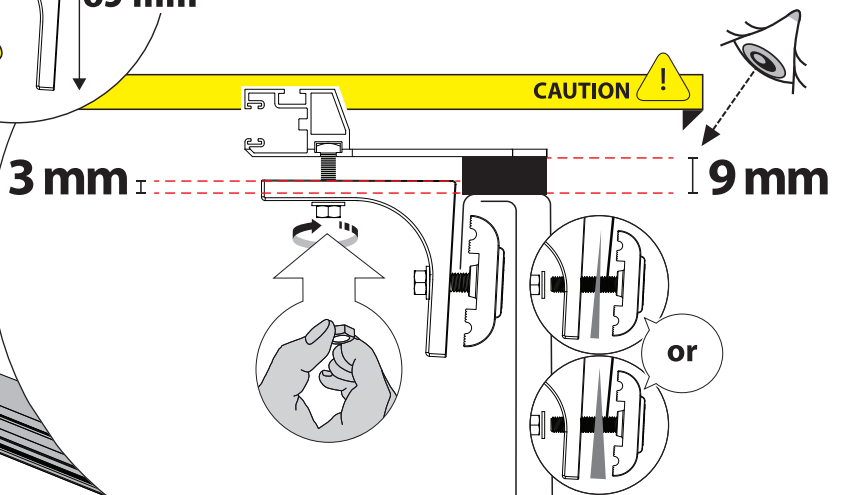
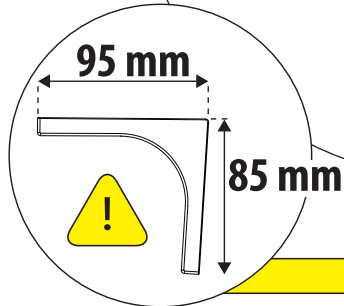
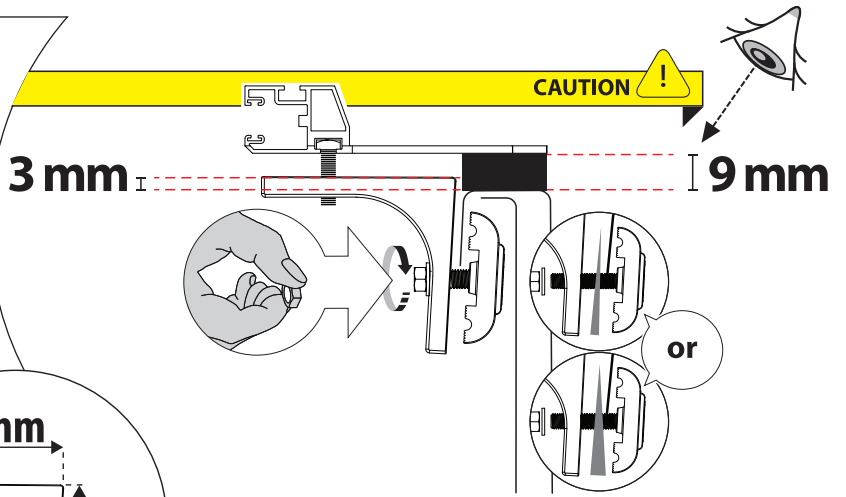
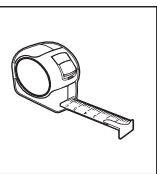
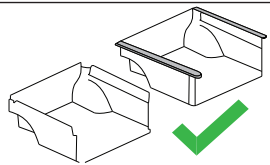
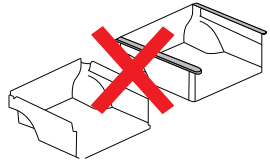
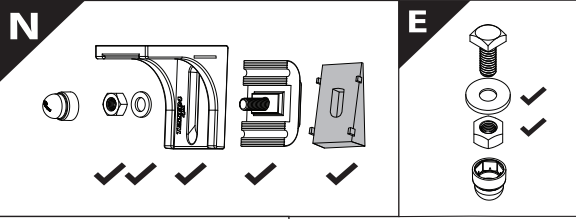
CAUTION !



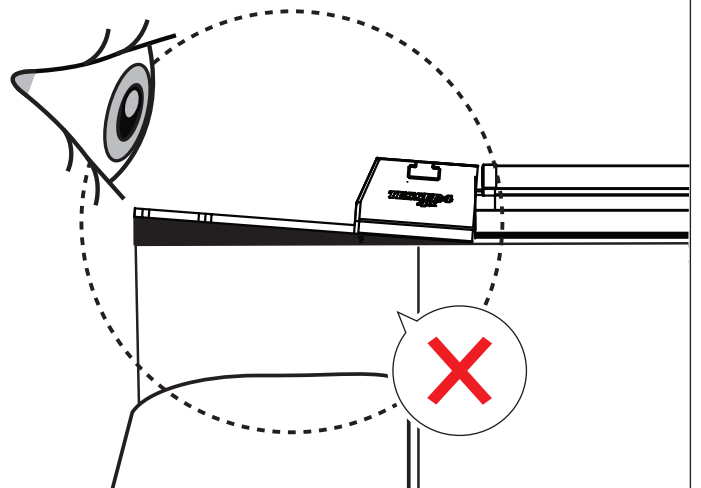
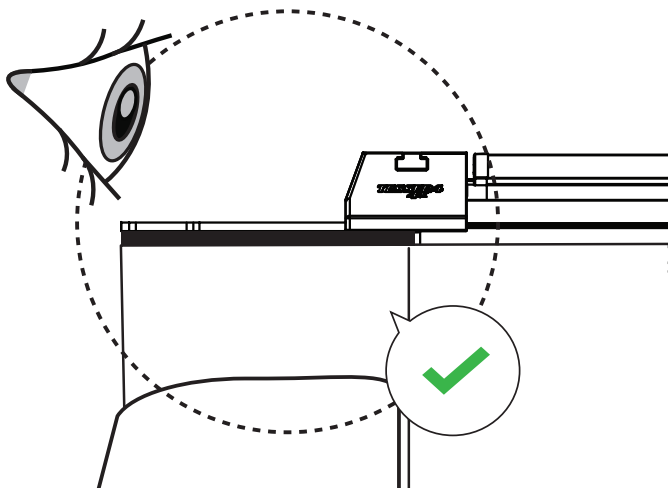
38

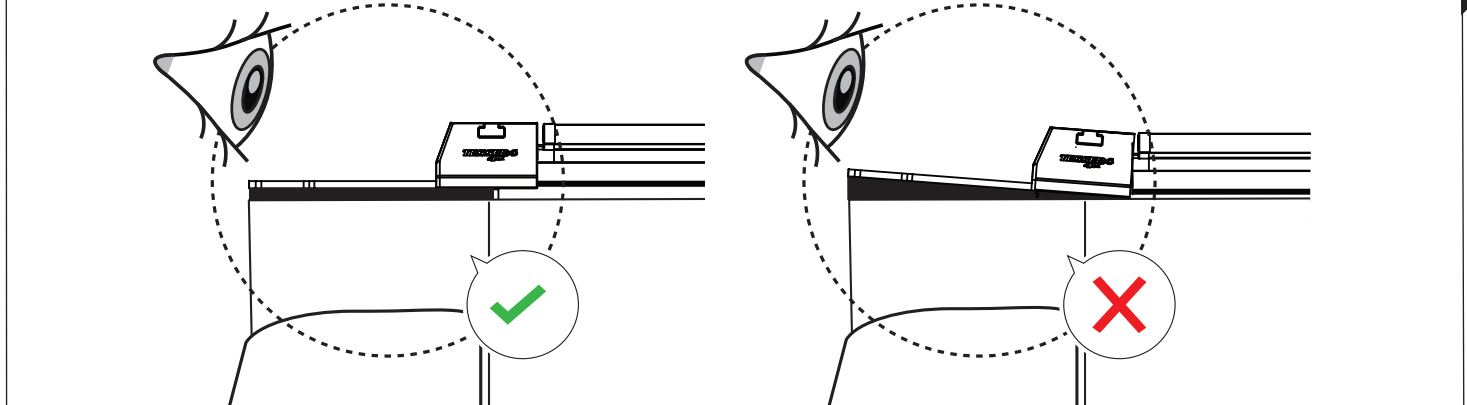
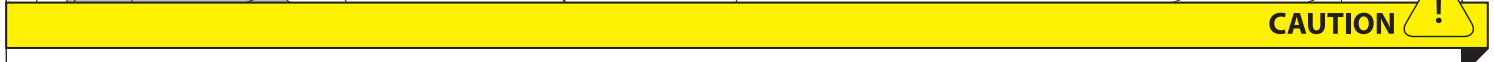
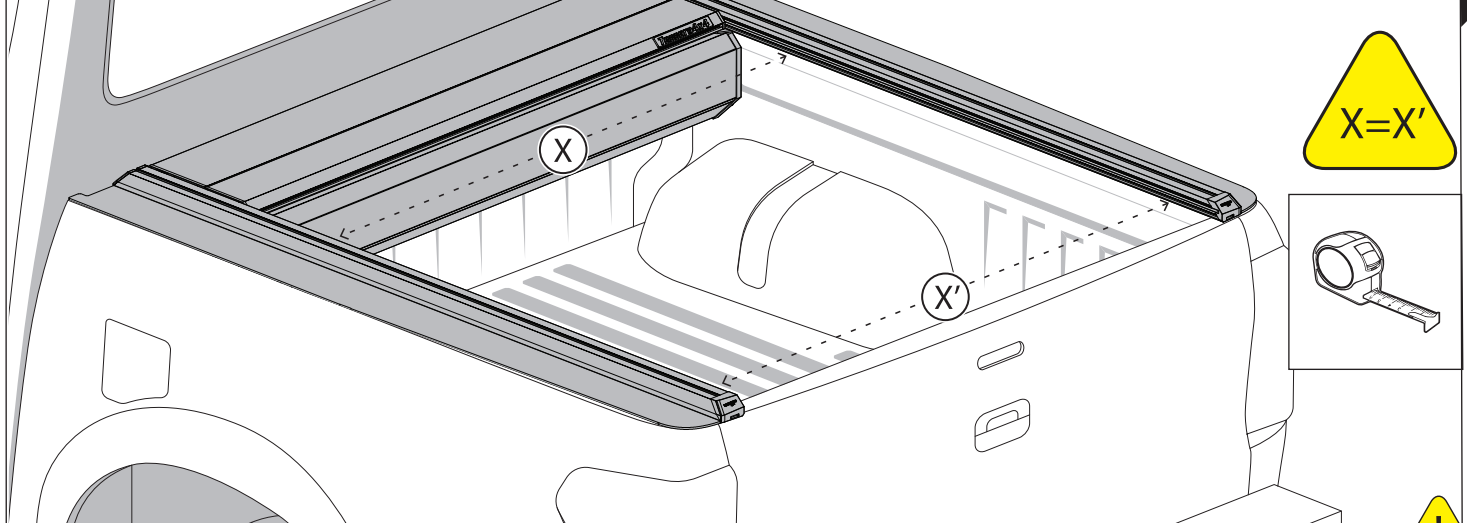
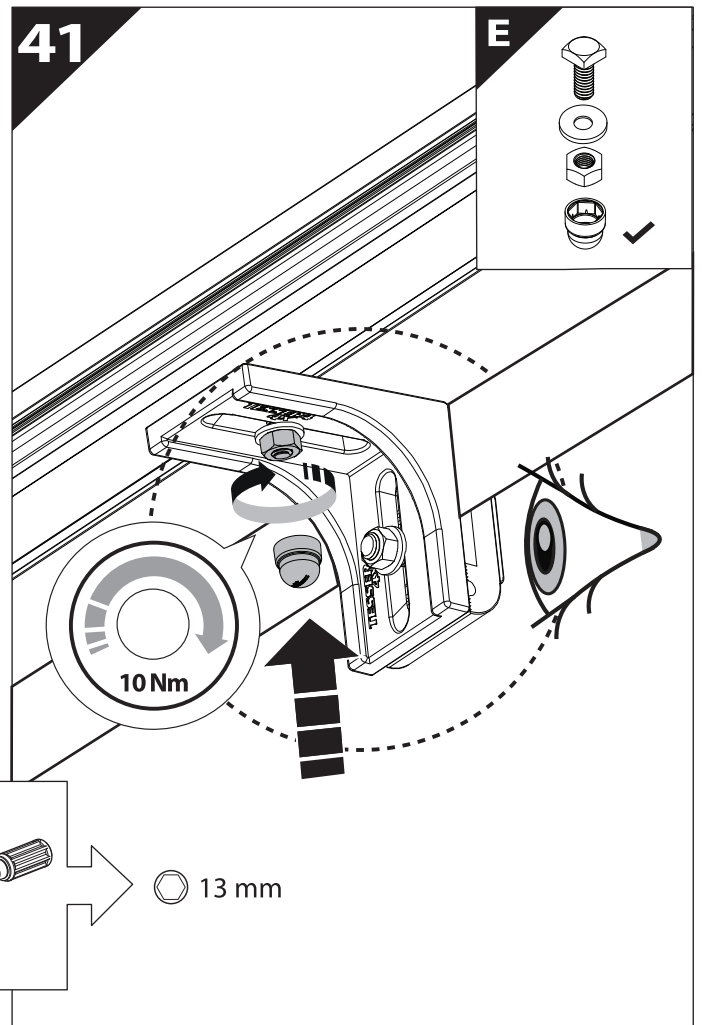
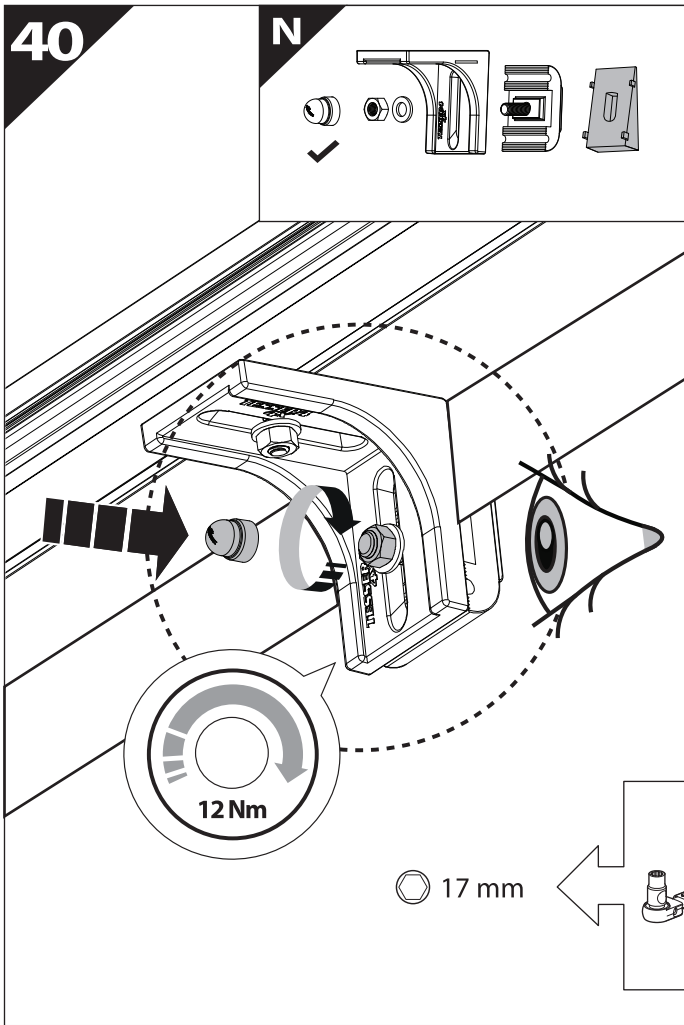


39

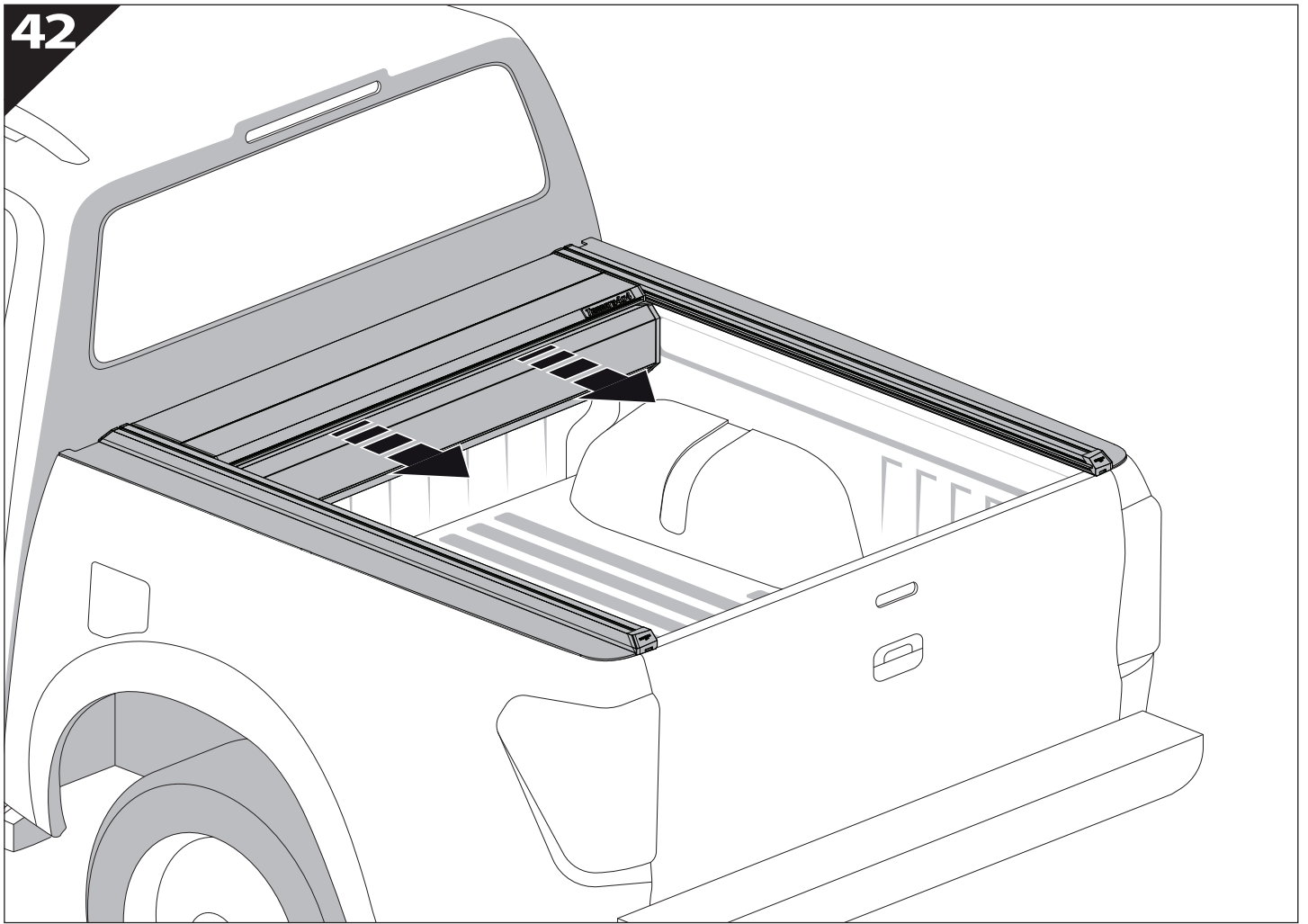


**CAUTION !**

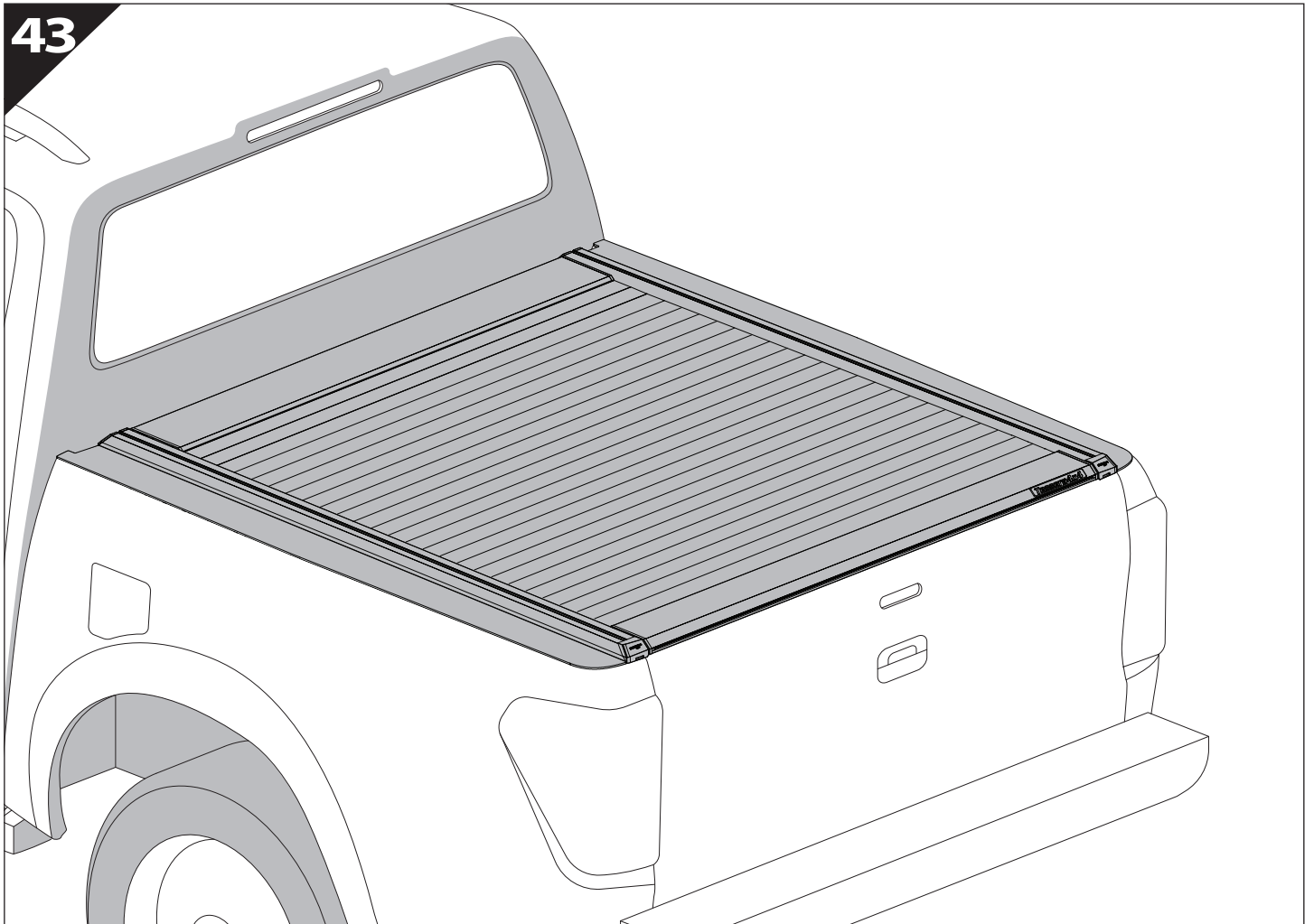




42



43









**GR:** Οδηγίες Εγκατάστασης  
**GB:** Installation manual  
**SF:** Asennusohje  
**F:** Notice de montage  
**PL:** Instrukcja montażu  
**NL:** Installatie-instructies  
**TR:** Montaj Talimatı  
**S:** Monteringsanvisning  
**E:** Instrucciones de montaje

**H:** Szerelési utasítás  
**P:** Instruções de instalação  
**RUS:** Инструкция по установке  
**N:** Monteringsveiledning  
**D:** Einbauanleitung  
**CZ:** Návod k instalaci  
**I:** Istruzioni de montaggio  
**DK:** Monteringsvejledning  
**RO:** Instructiuni de instalare

Customer Service:

+30 (210) 5541161, +30 (210) 5541154 (08:00 - 16:00 EET)

Support department:

[info@gianso.gr](mailto:info@gianso.gr)

Website:

[www.tessera4x4.com](http://www.tessera4x4.com)

Address:

19.5 km of National road Athens-Korinthos (Elefsina) Greece, P.C: 19200