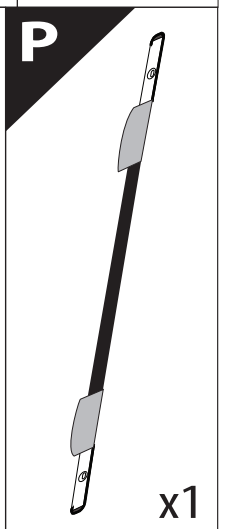
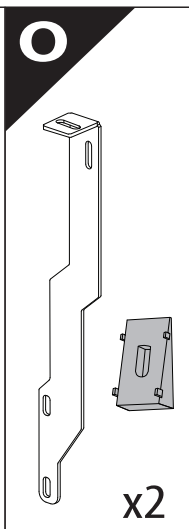
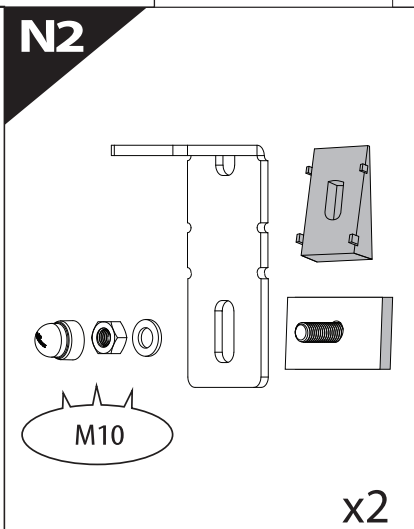
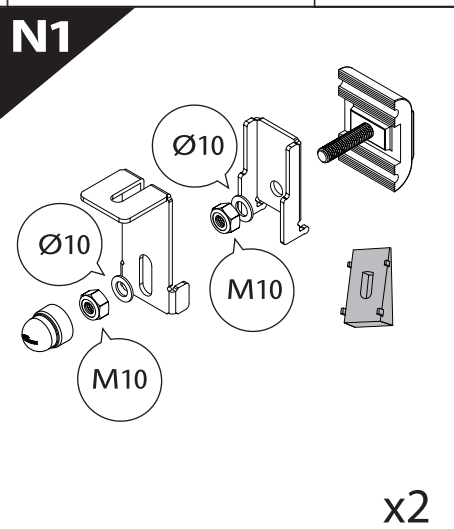
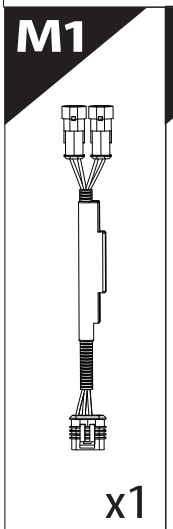
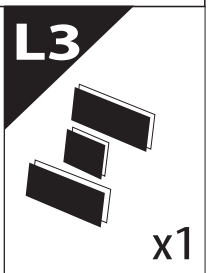
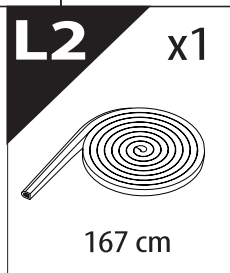
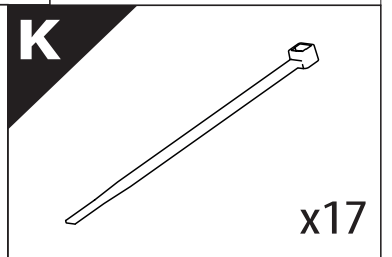
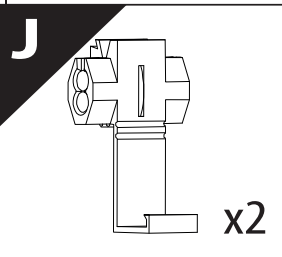
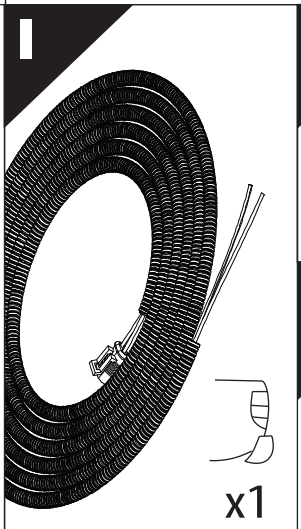
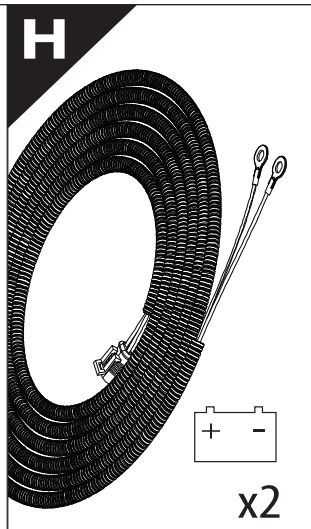
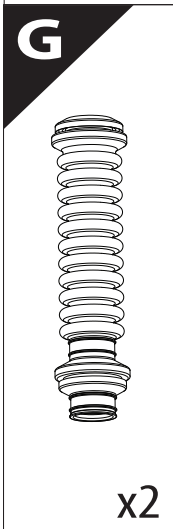
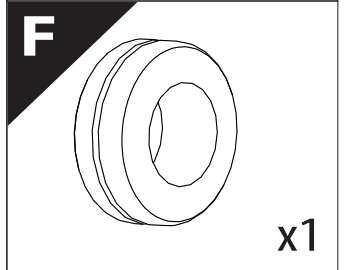
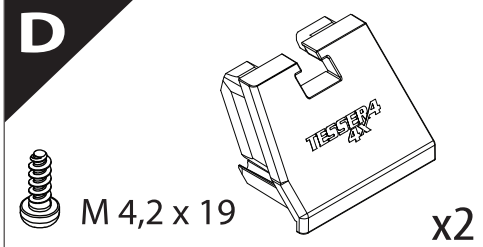
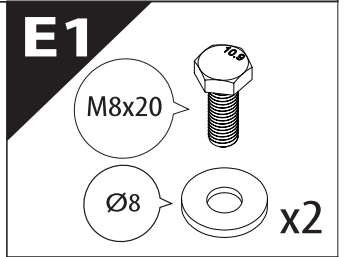
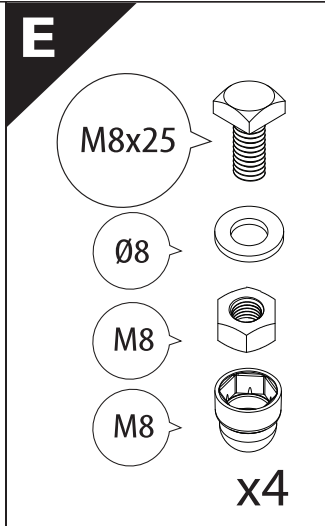
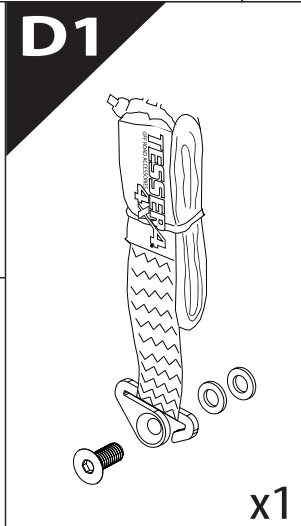
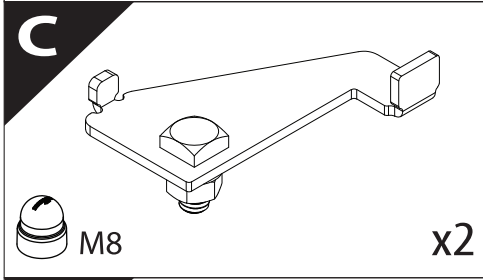
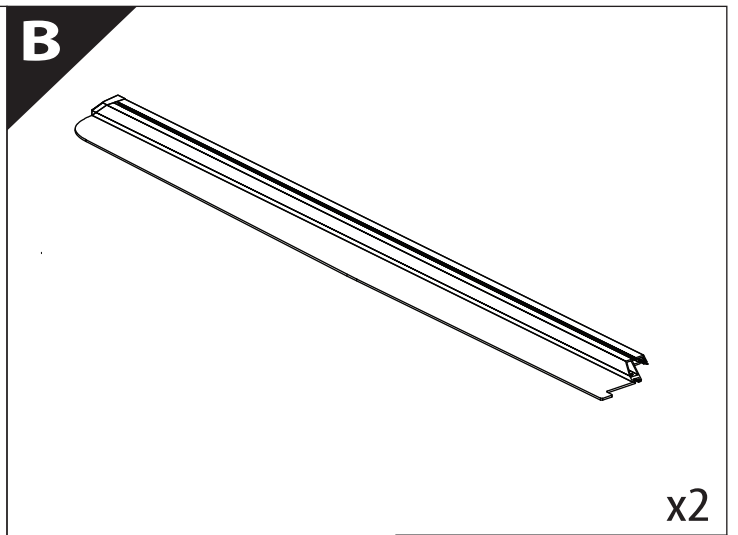
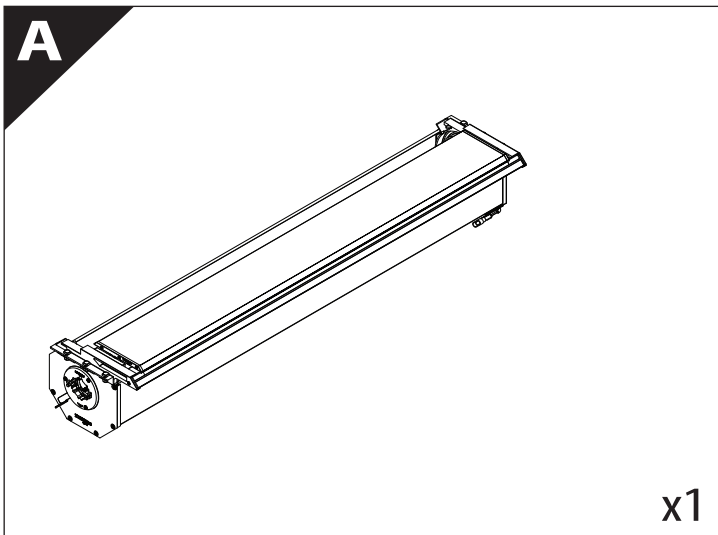
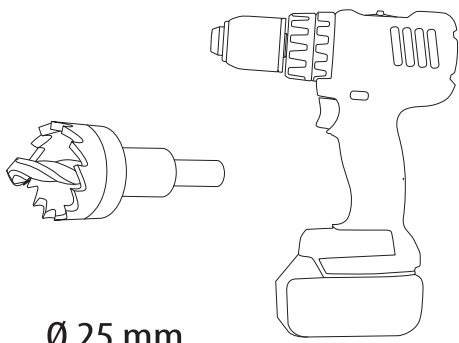


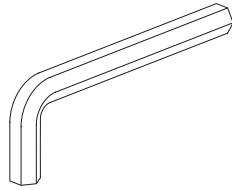
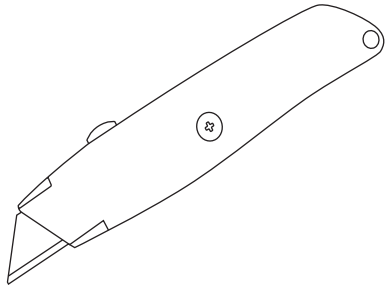
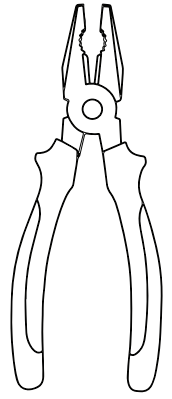
Installation Manual

PART NUMBER(S)	Model Year
TESS 14011 ROLL	VW AMAROK 2023+ WITH OR WITHOUT C-CHANNELS
Cab(s)	Installation Time / Weight
Double Cab	40-60 minutes / 53-57 kg



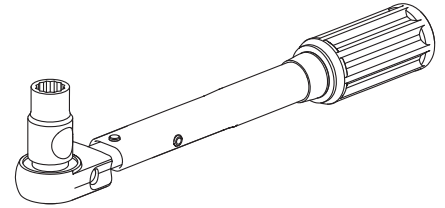


Ø 25 mm



4 mm

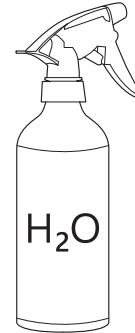
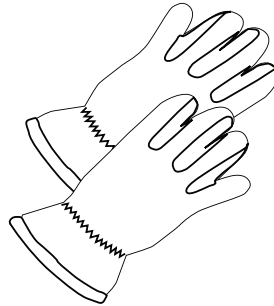
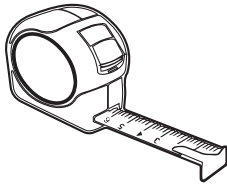
1 - 25 Nm



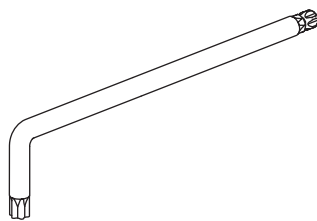
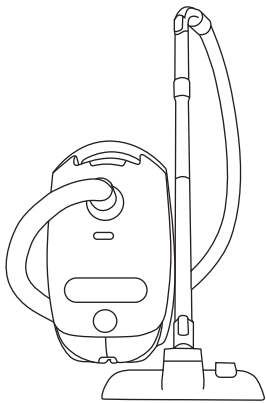
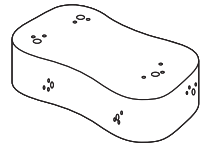
10, 12, 13, 17 mm



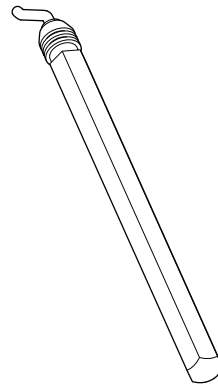
ACETONE



H₂O



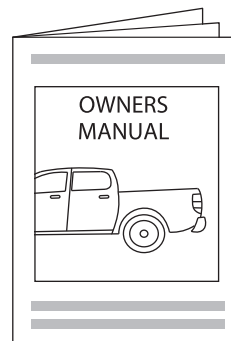
T30, T40



ANTI-RUST

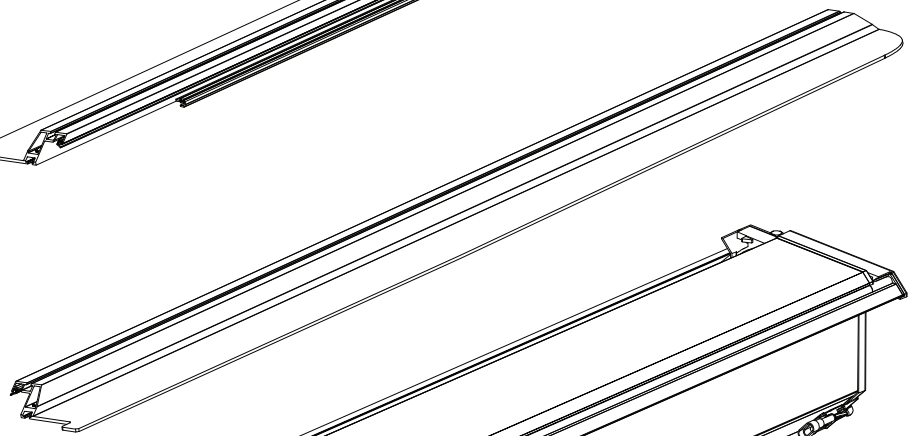
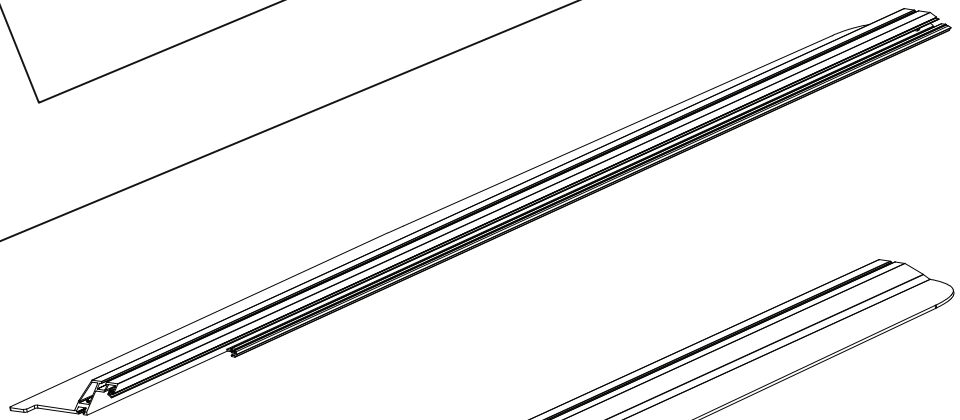
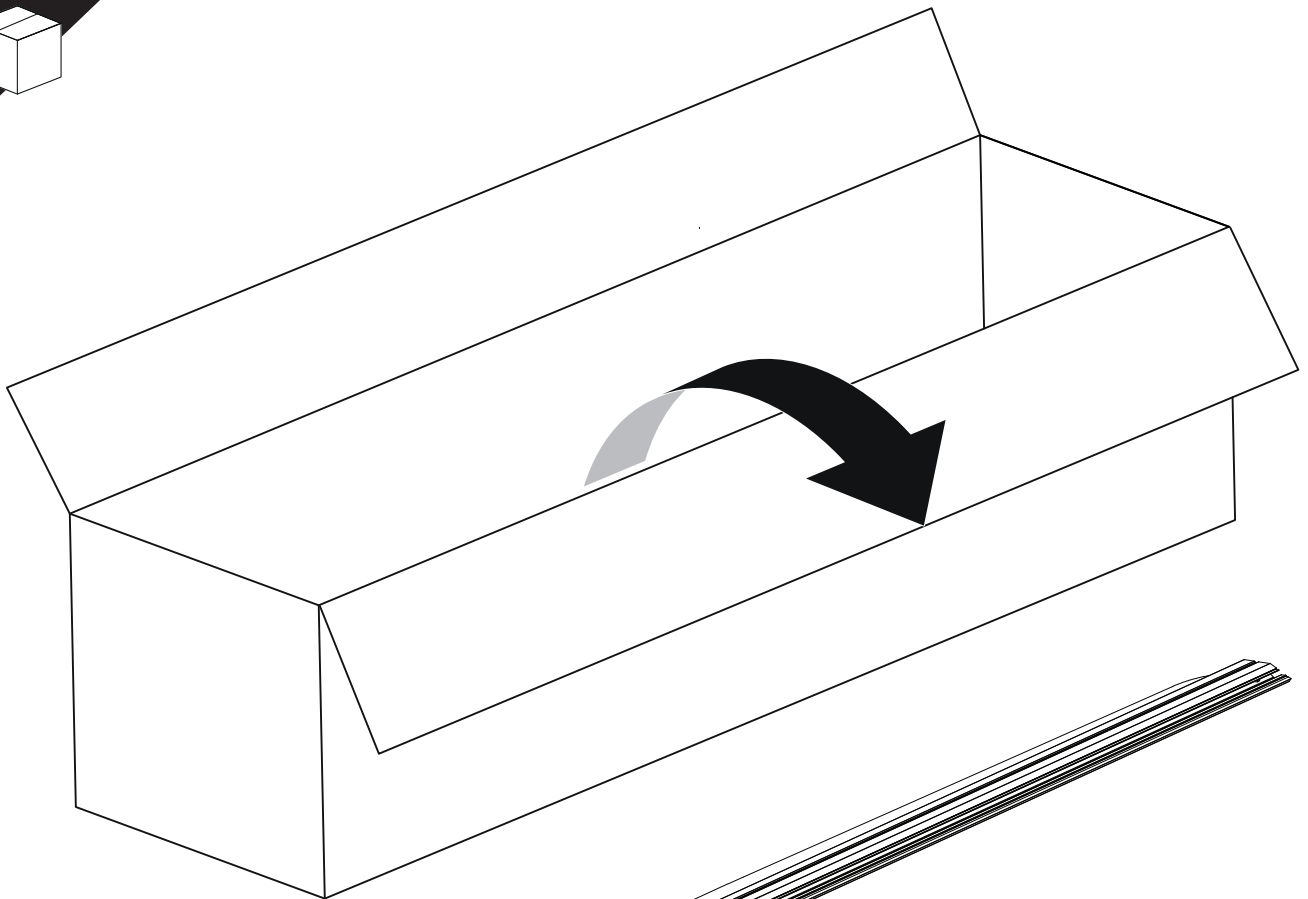


INSTALLATION
MANUAL

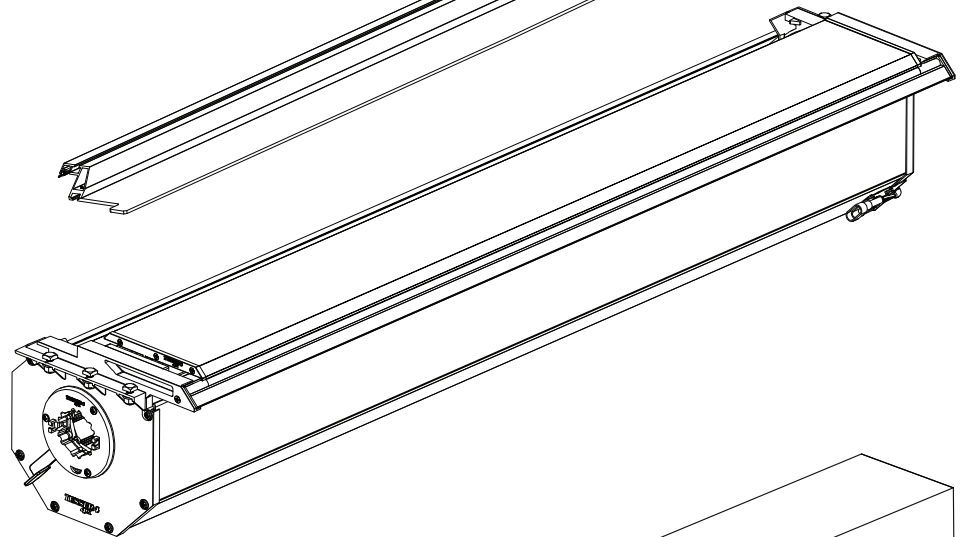


OWNERS
MANUAL

x1

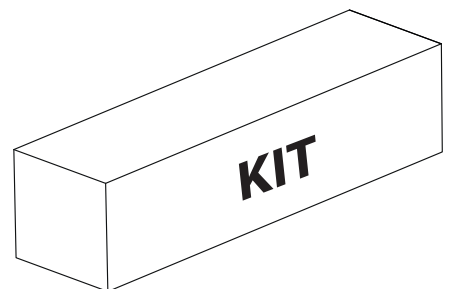


B

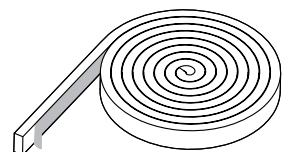


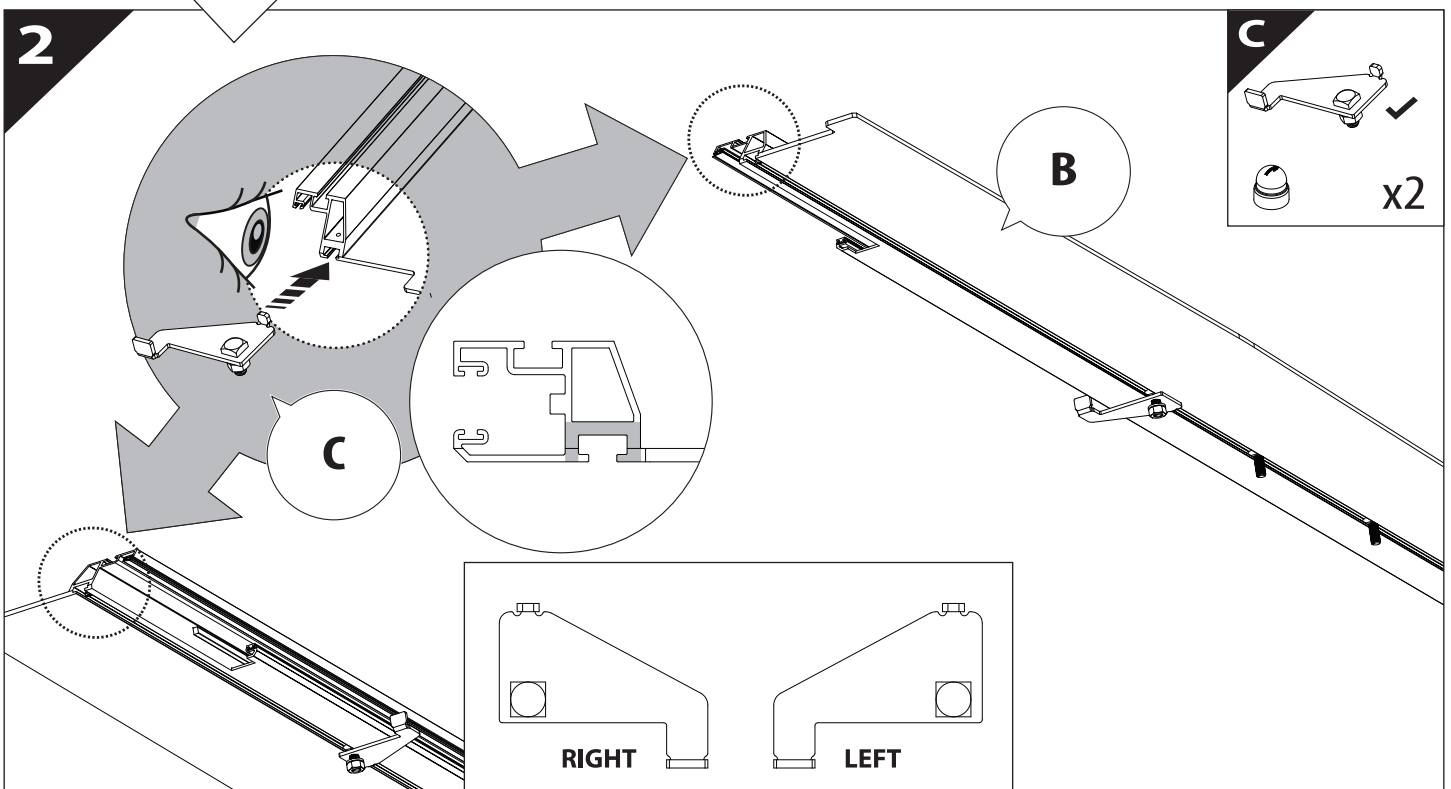
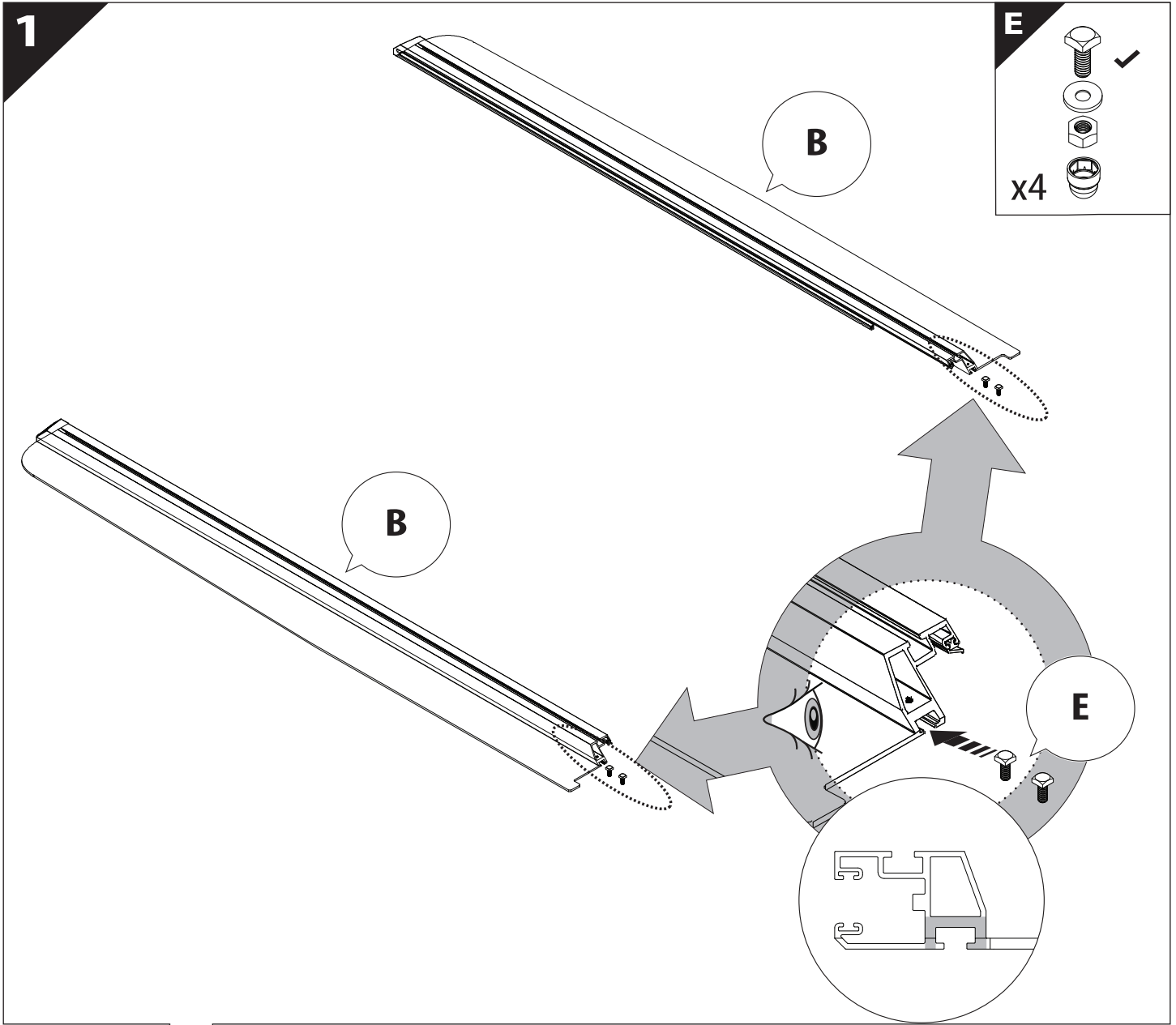
A

KITS

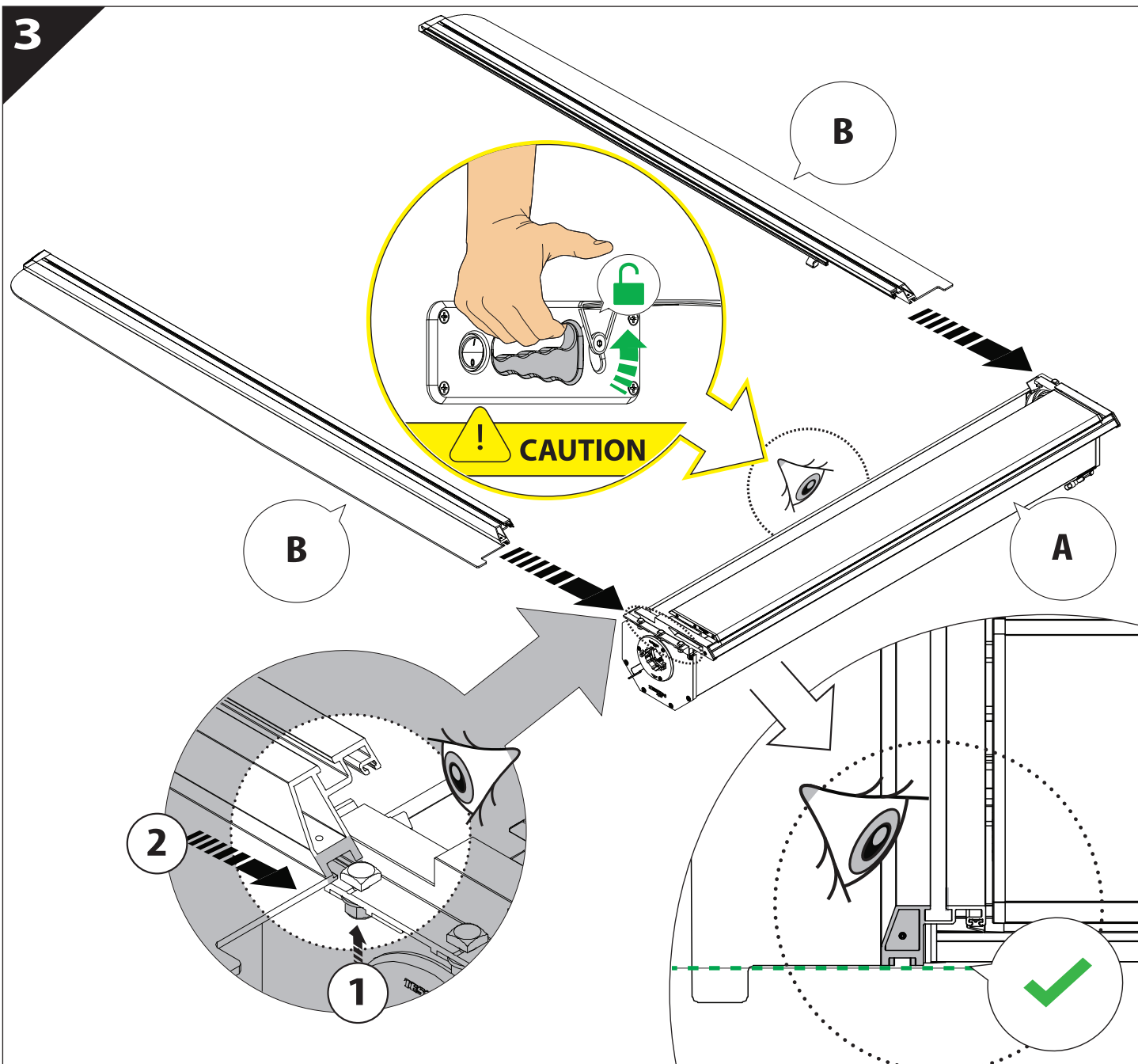


L

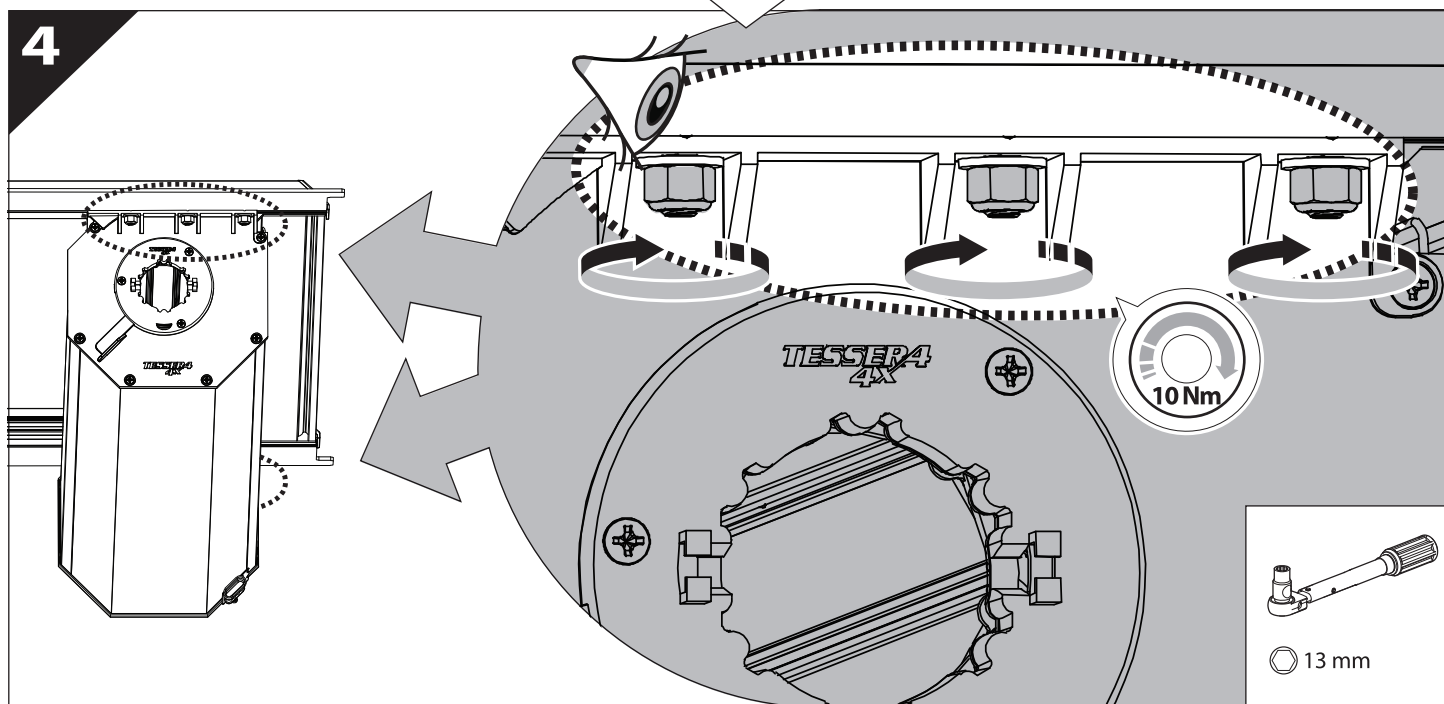


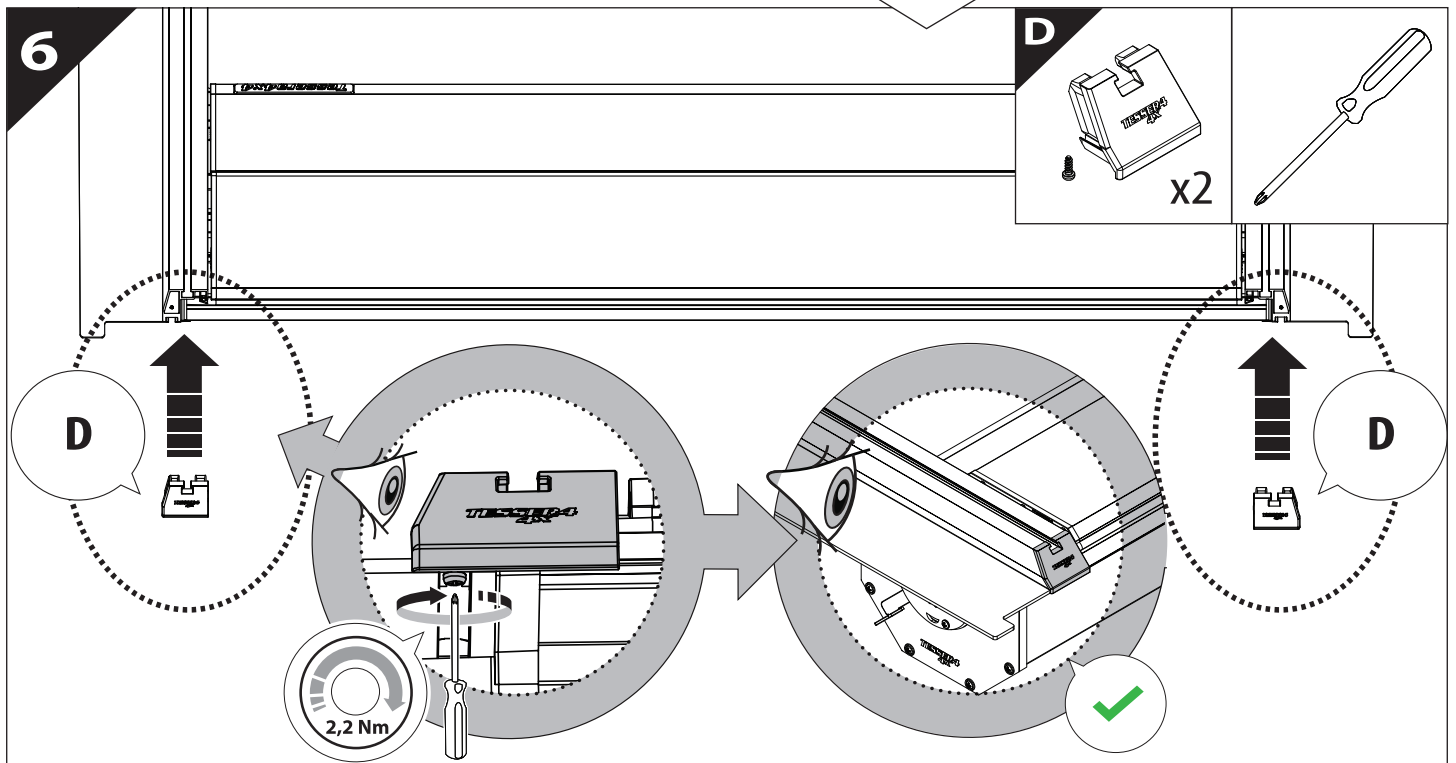
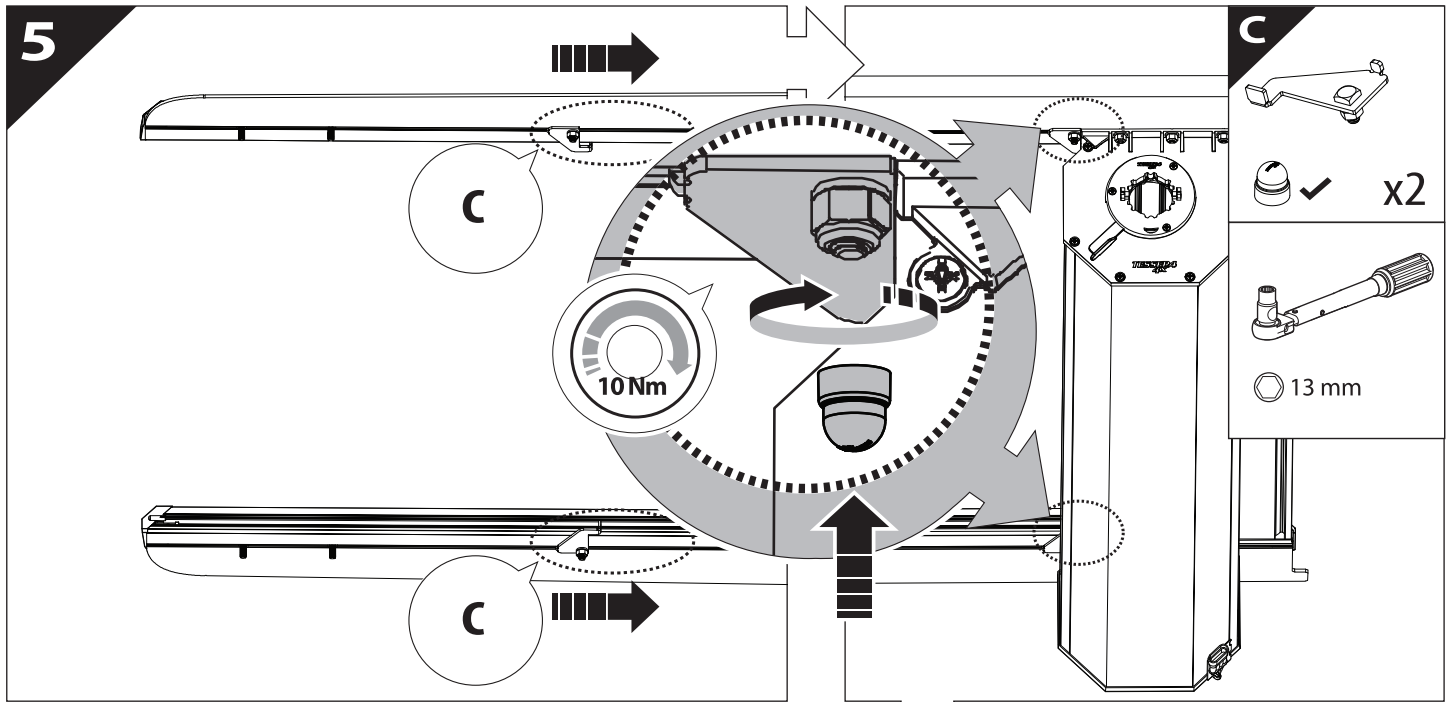


3

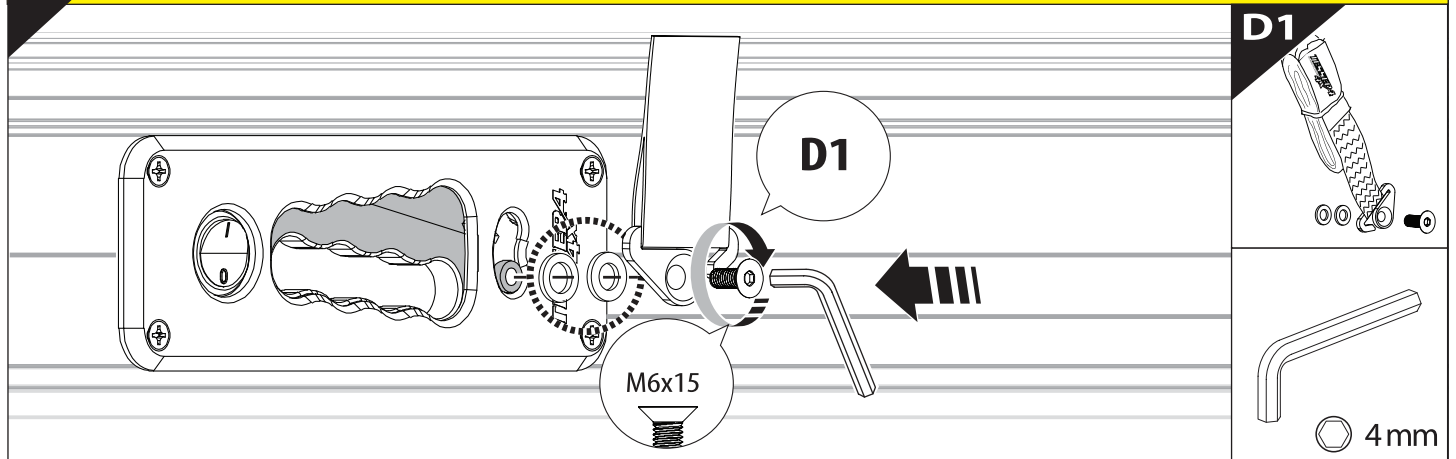


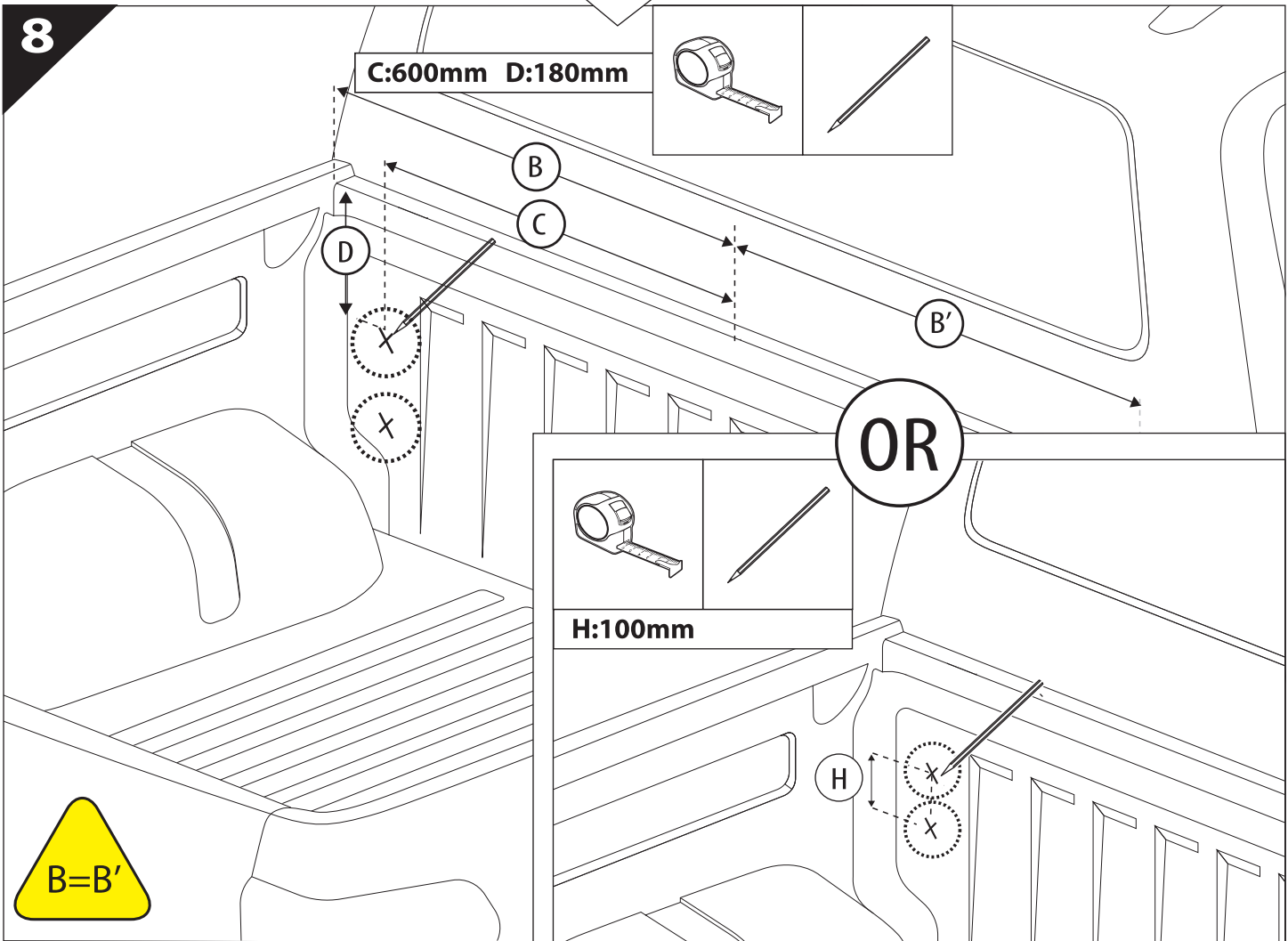
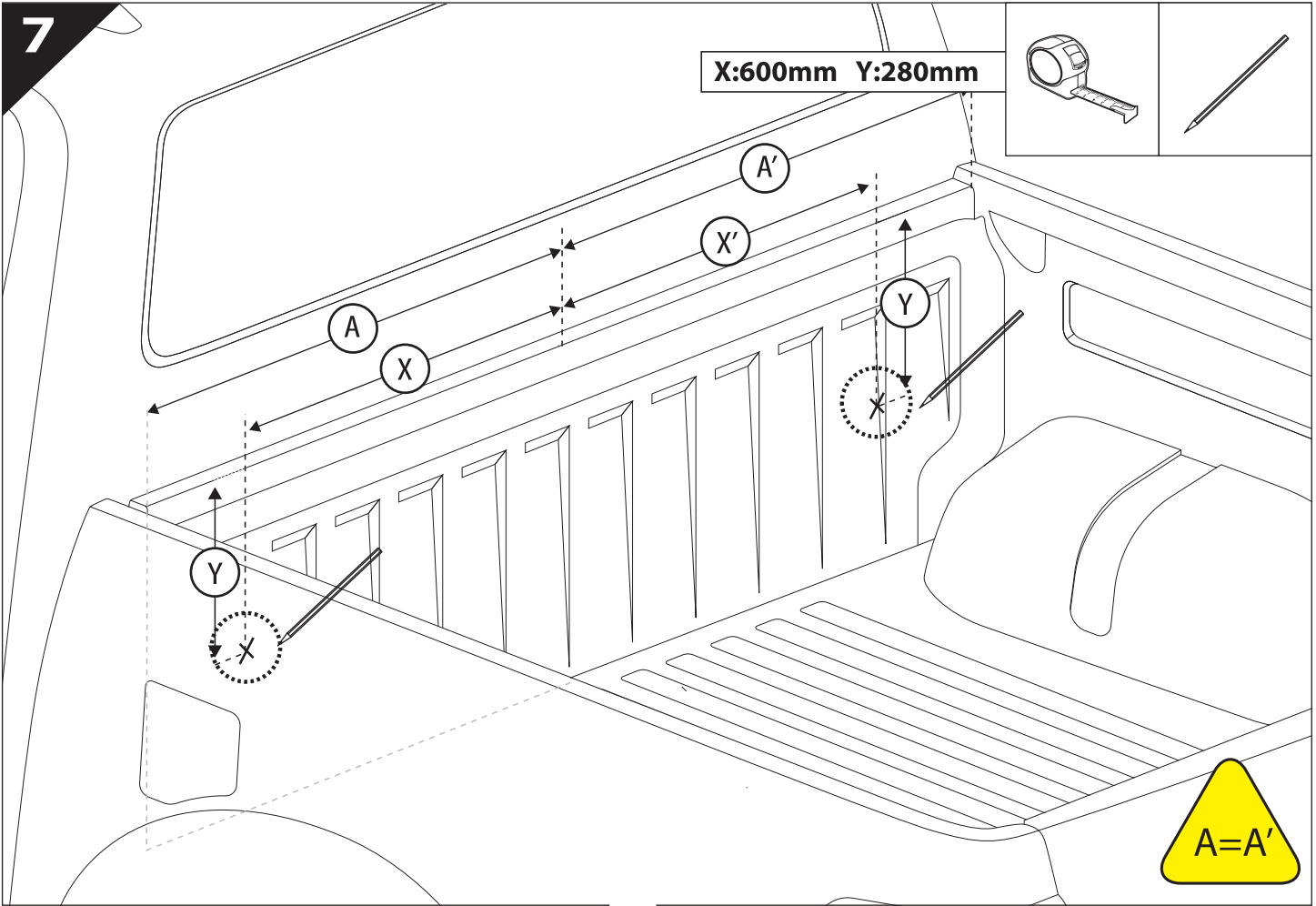
4

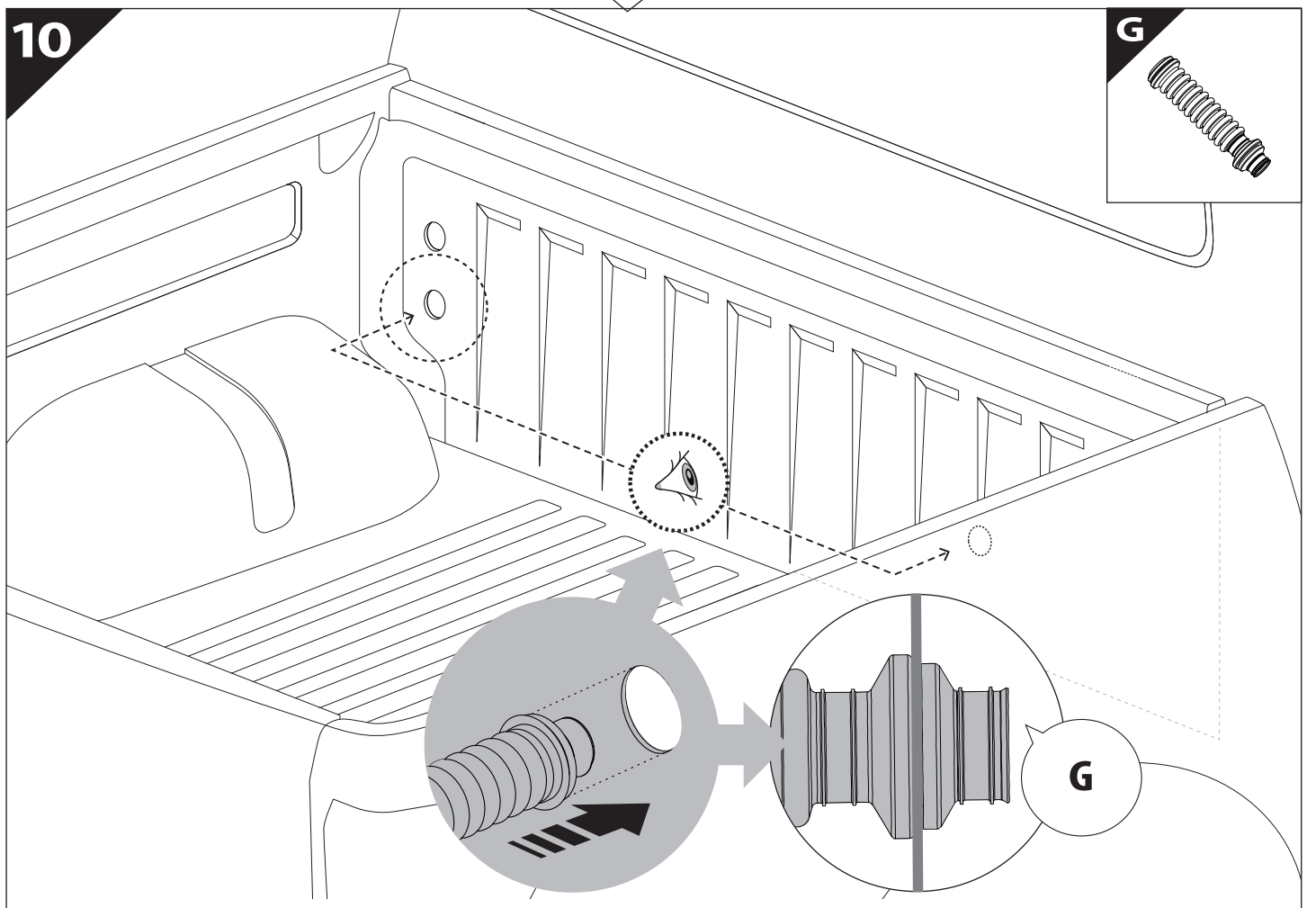
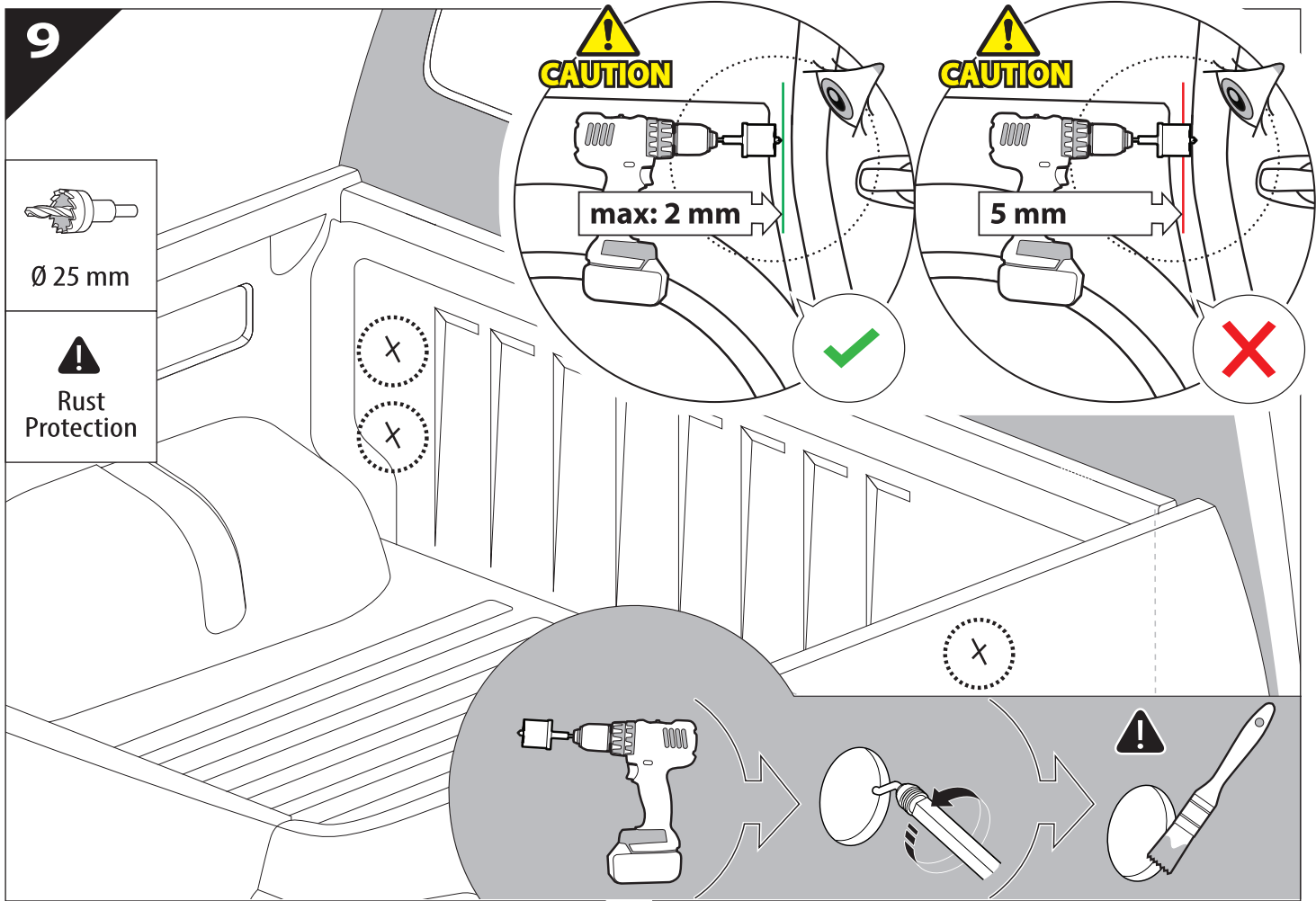




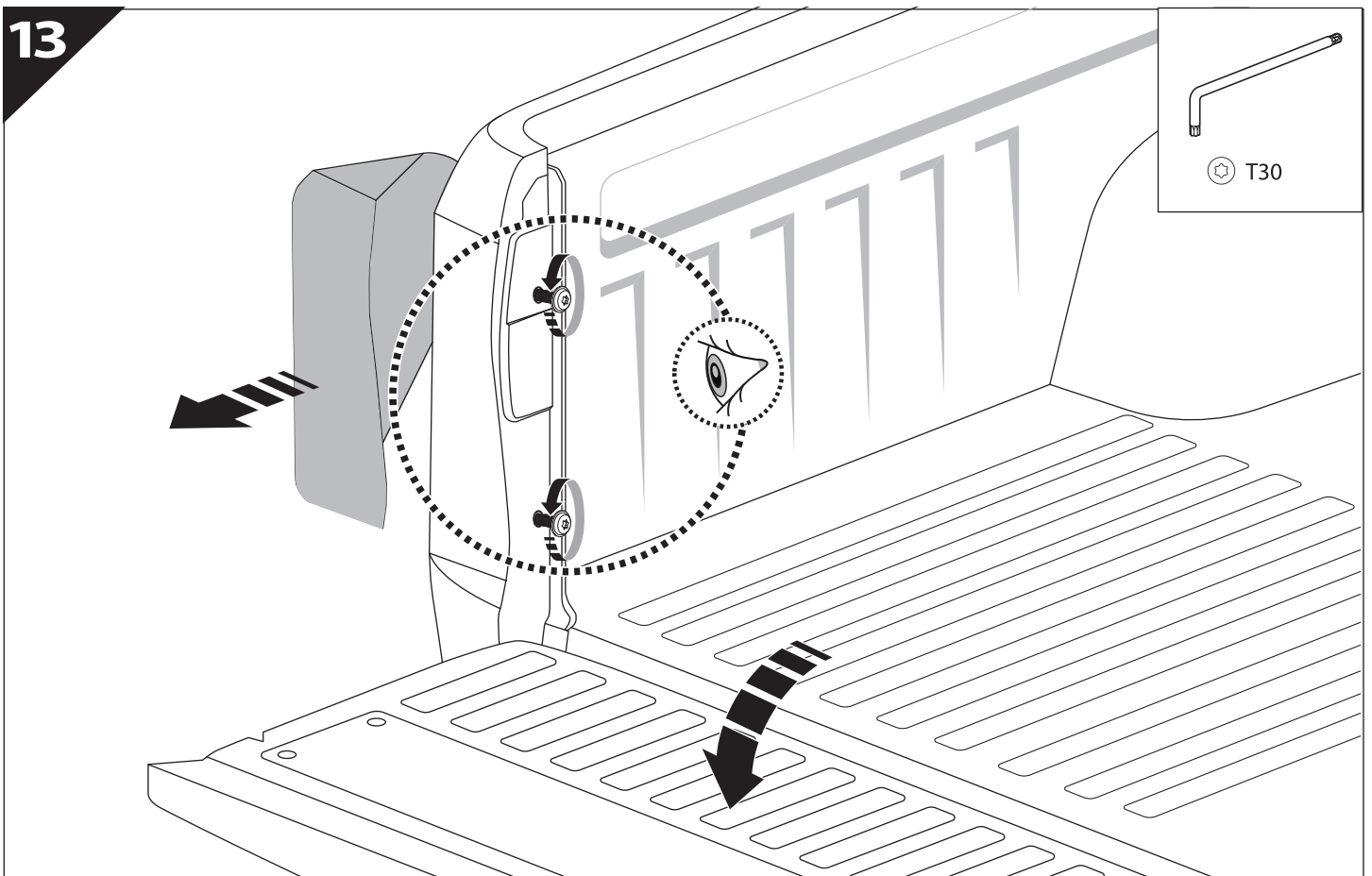
6.1 **CAUTION** Basic Version ✓ & Basic+S-KIT Version ✓



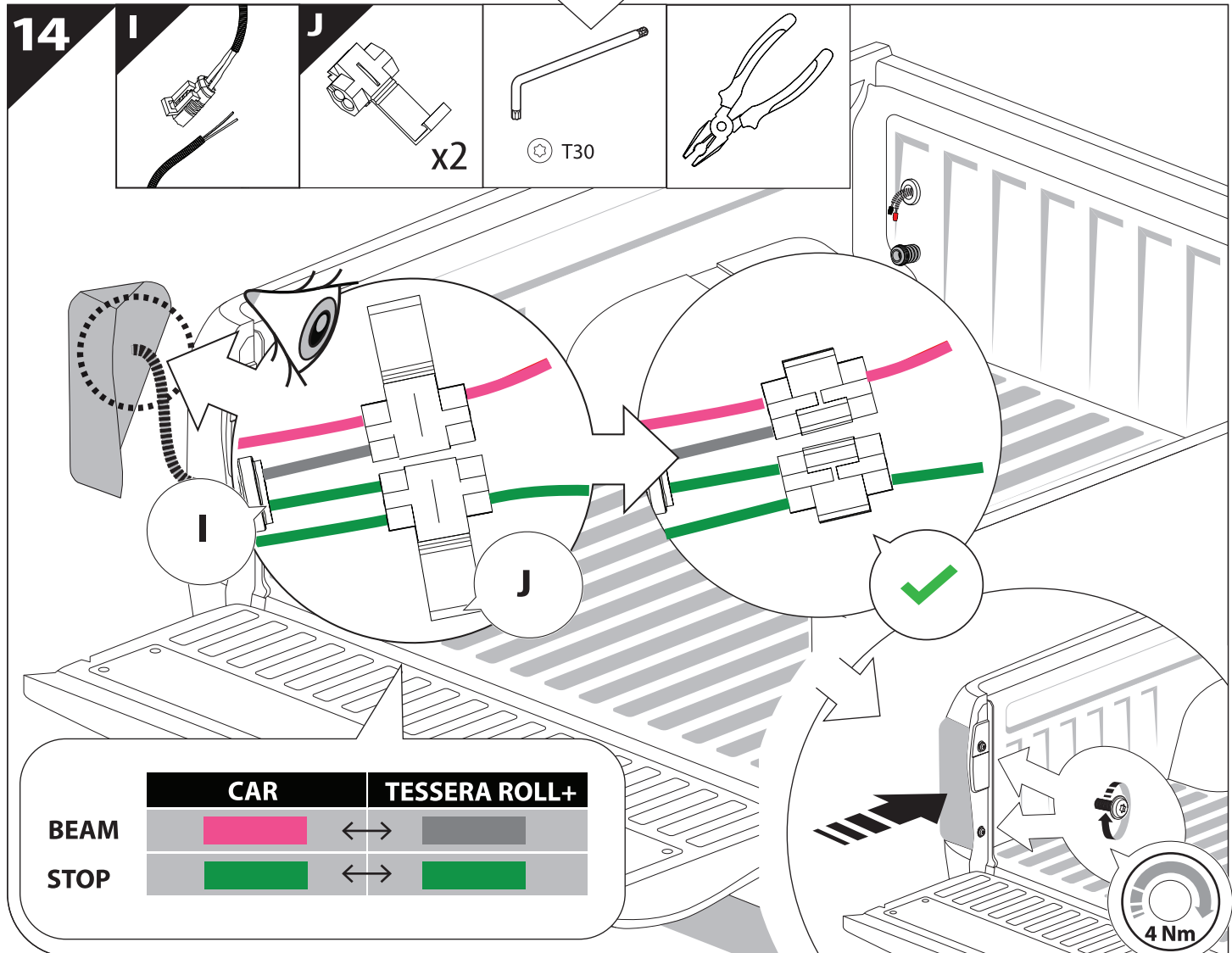
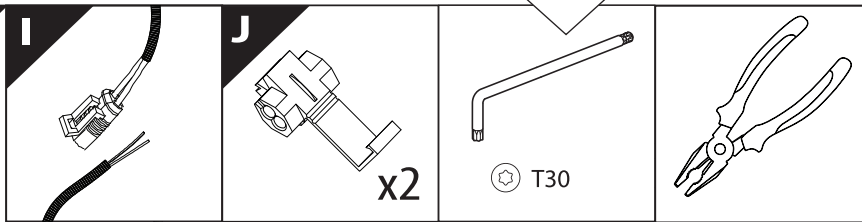




13

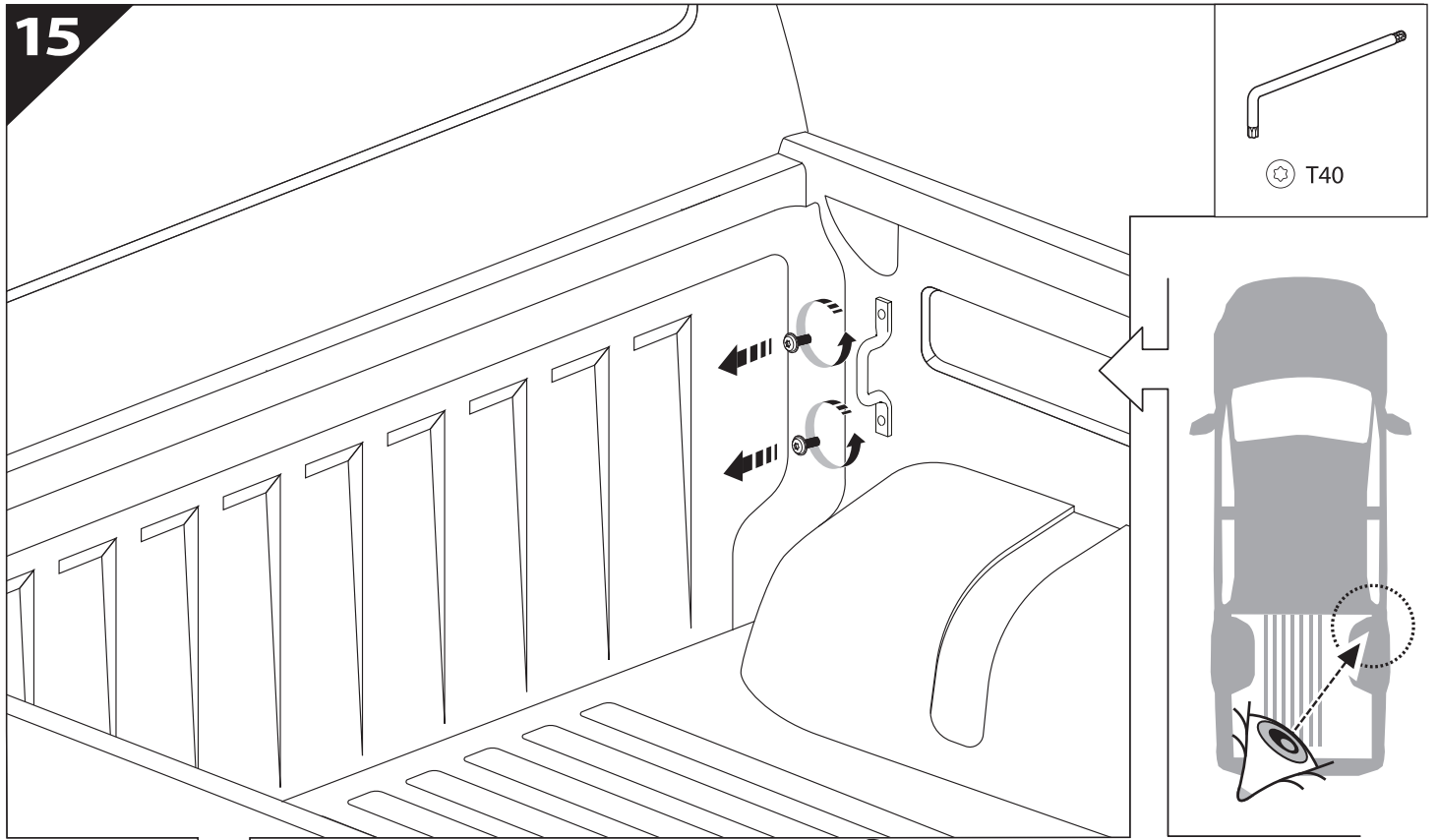


14



	CAR		TESSERA ROLL+
BEAM		↔	
STOP		↔	

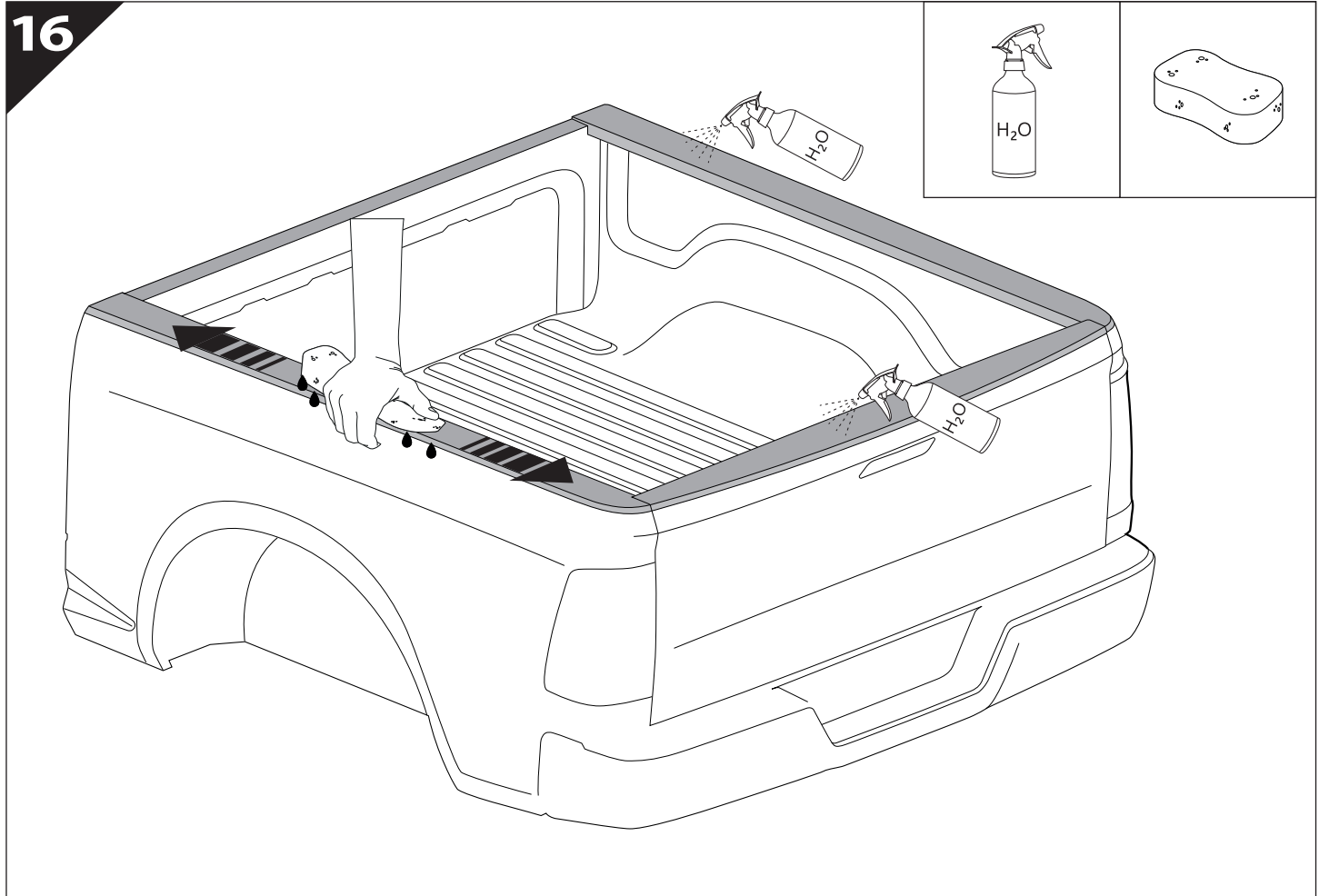
15

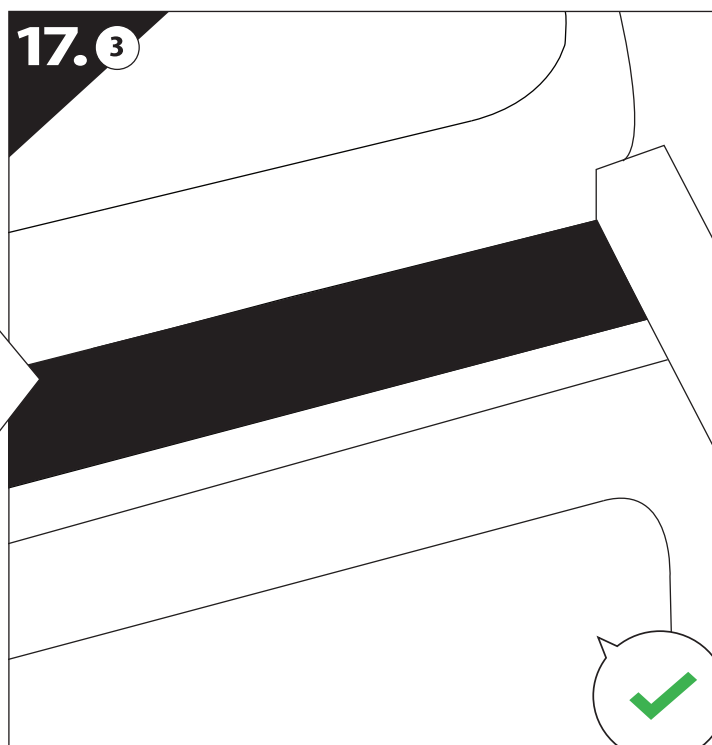
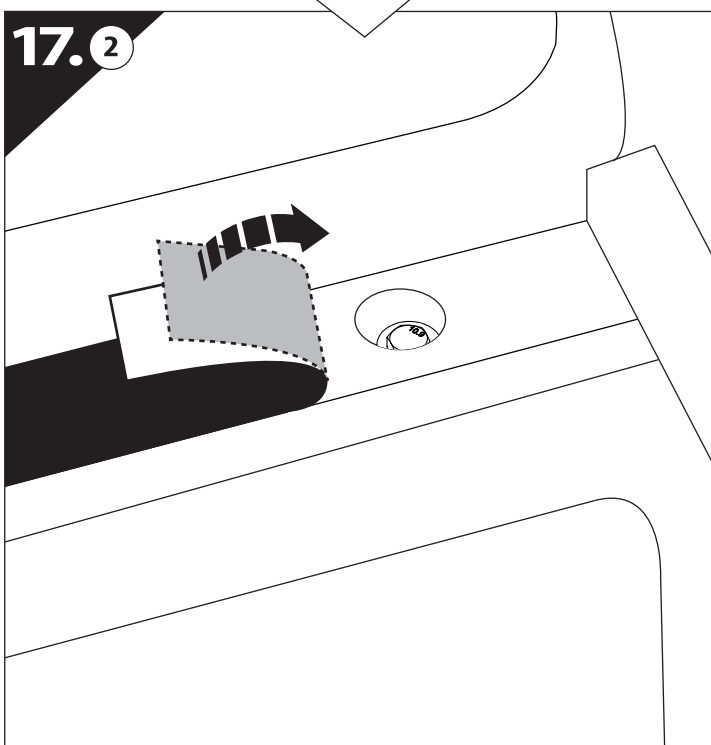
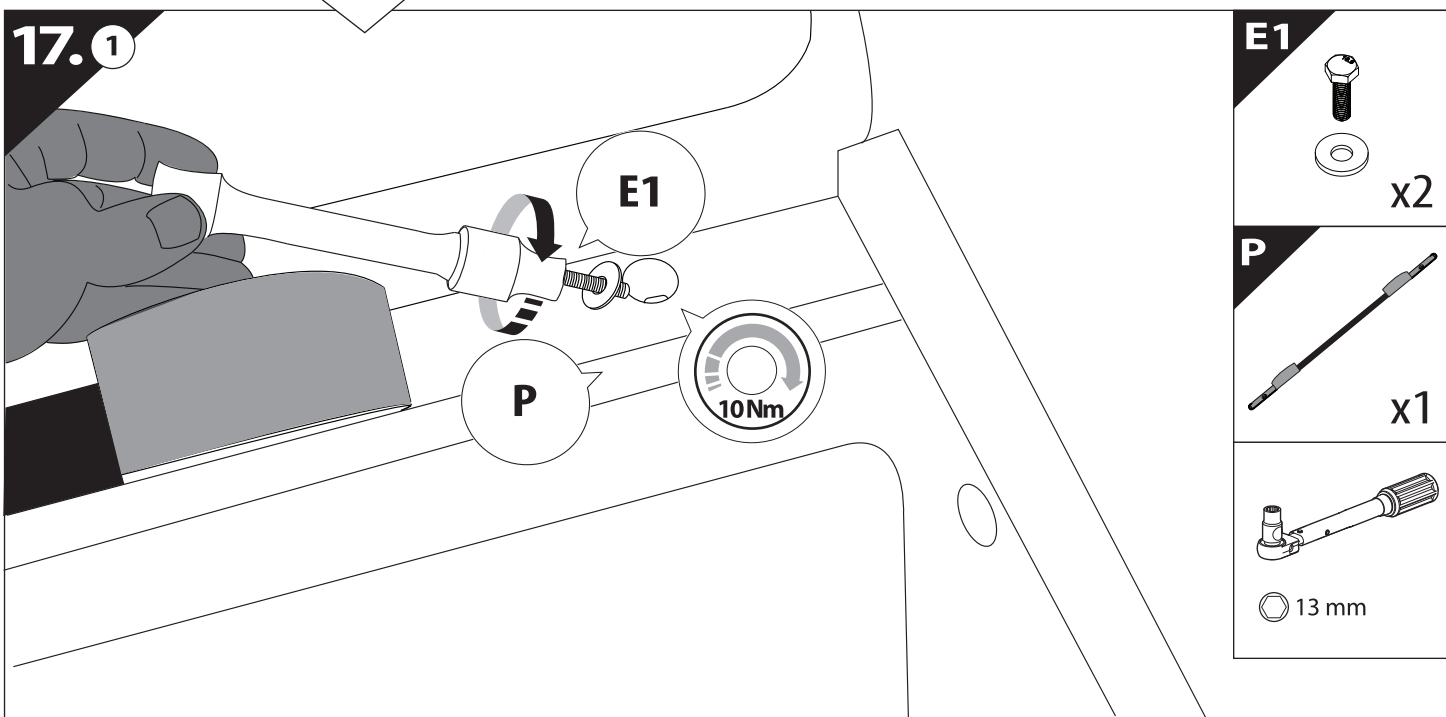
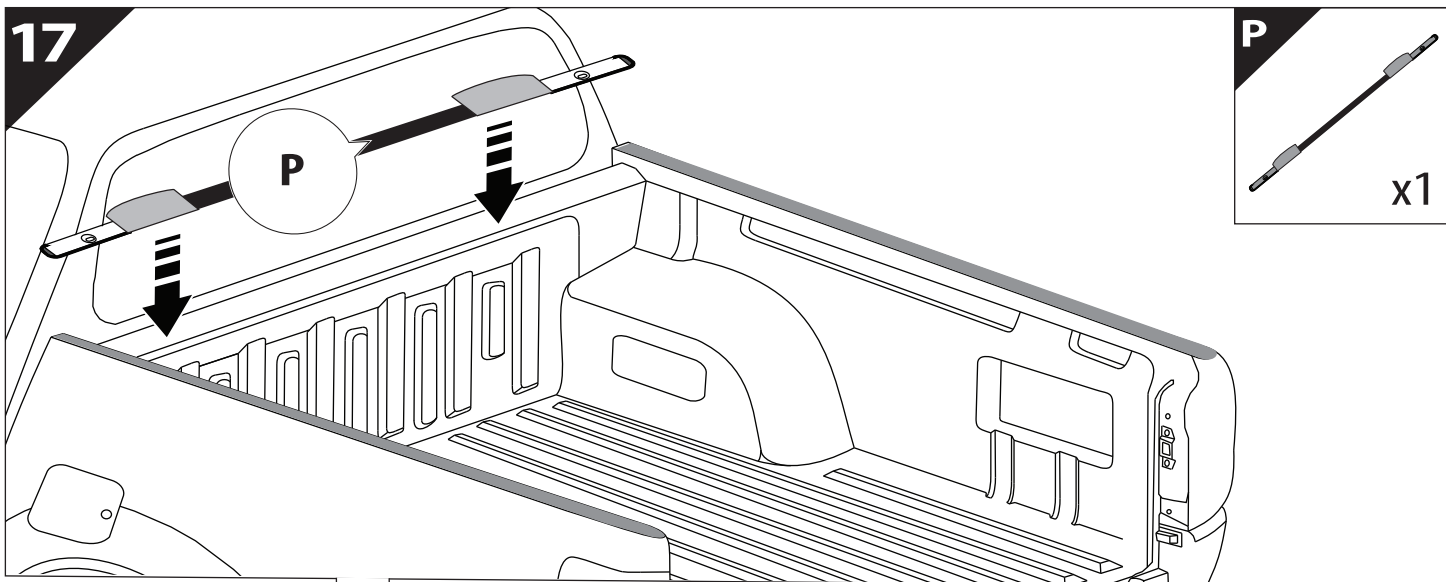


! KEEP IN SAFE PLACE x2 **BAG**

A yellow banner containing a warning icon, the text "KEEP IN SAFE PLACE", a speech bubble with "x2", a right-pointing arrow, and a shopping bag icon labeled "BAG". Below the banner are two screws and a metal bracket.

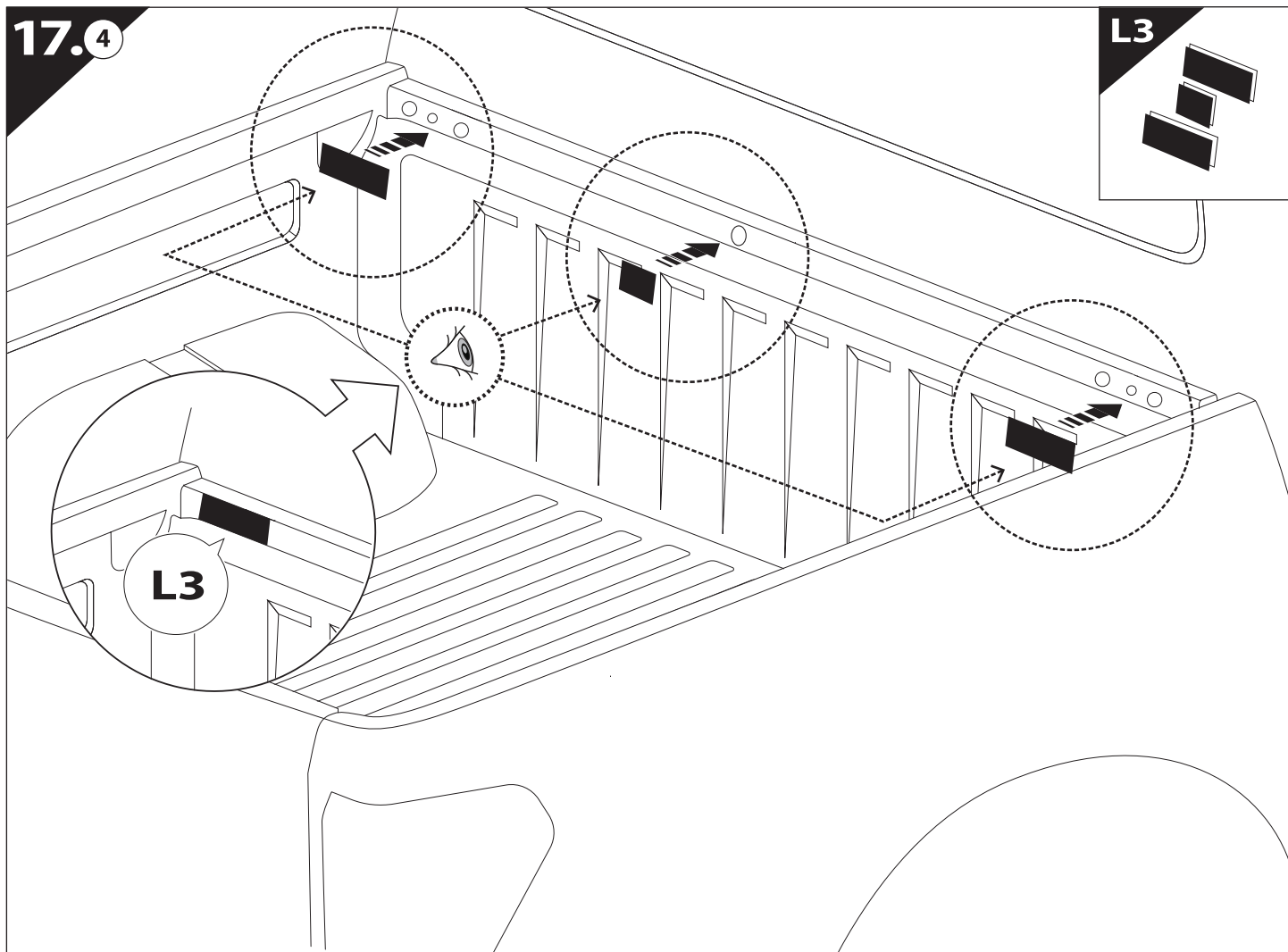
16

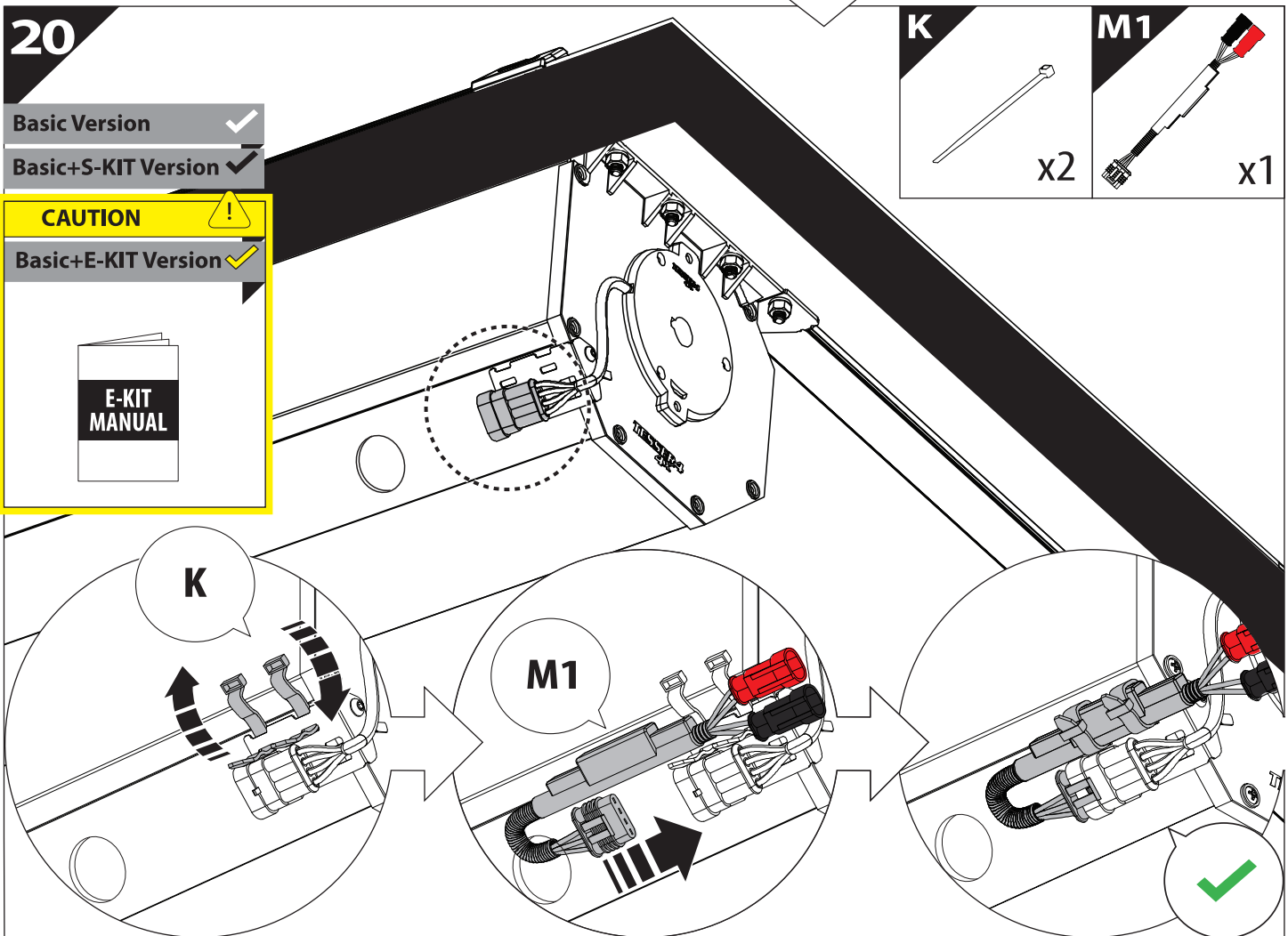
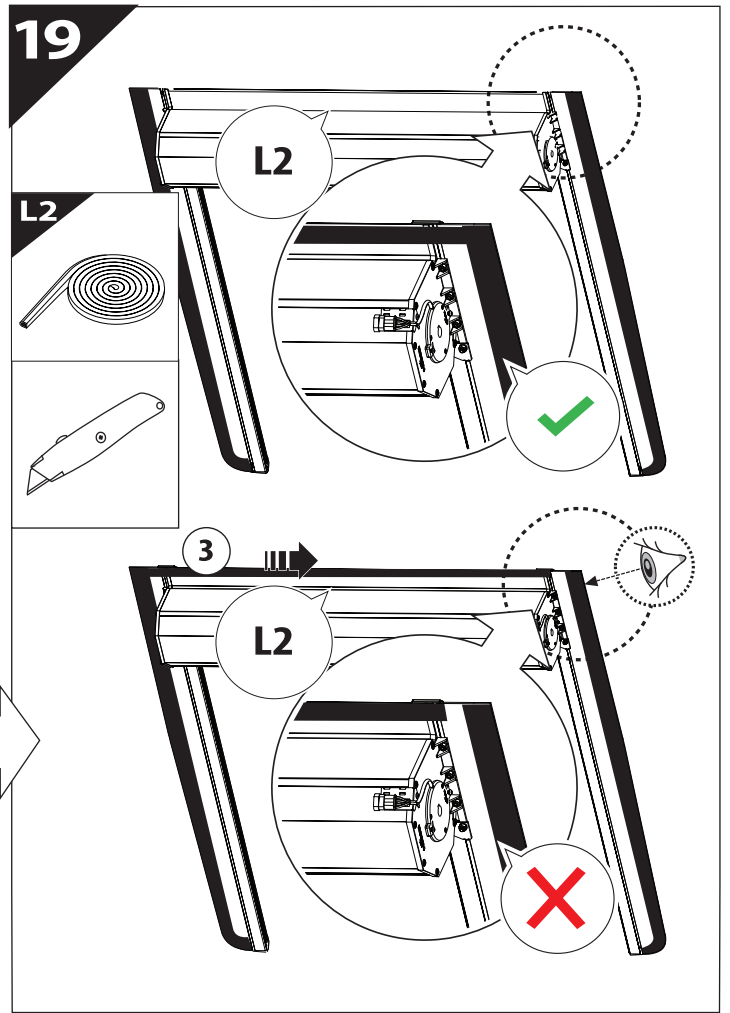
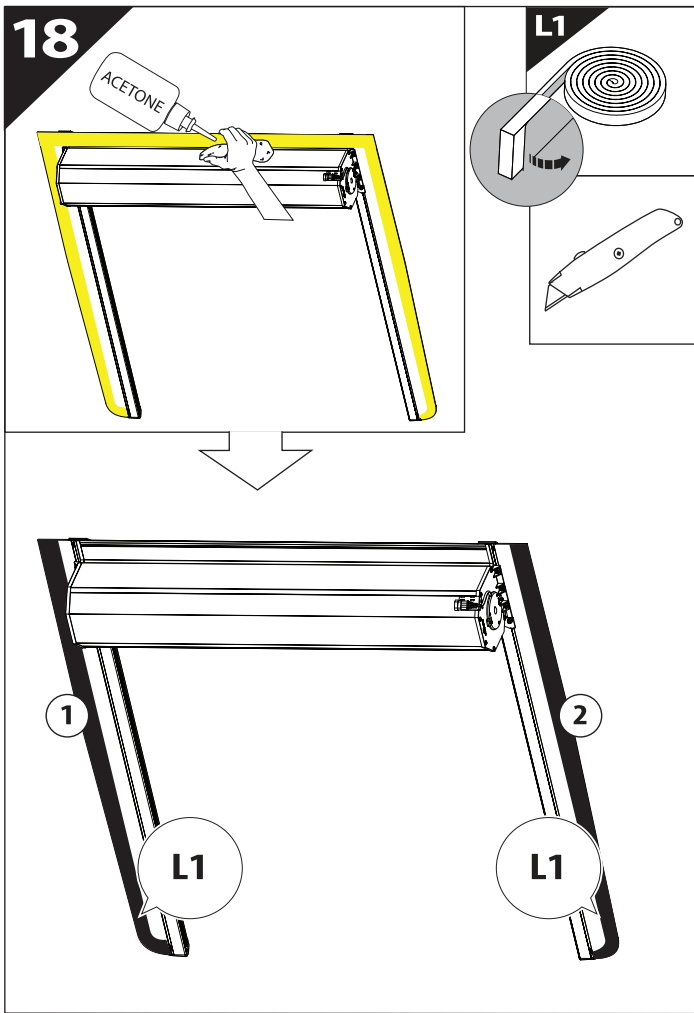


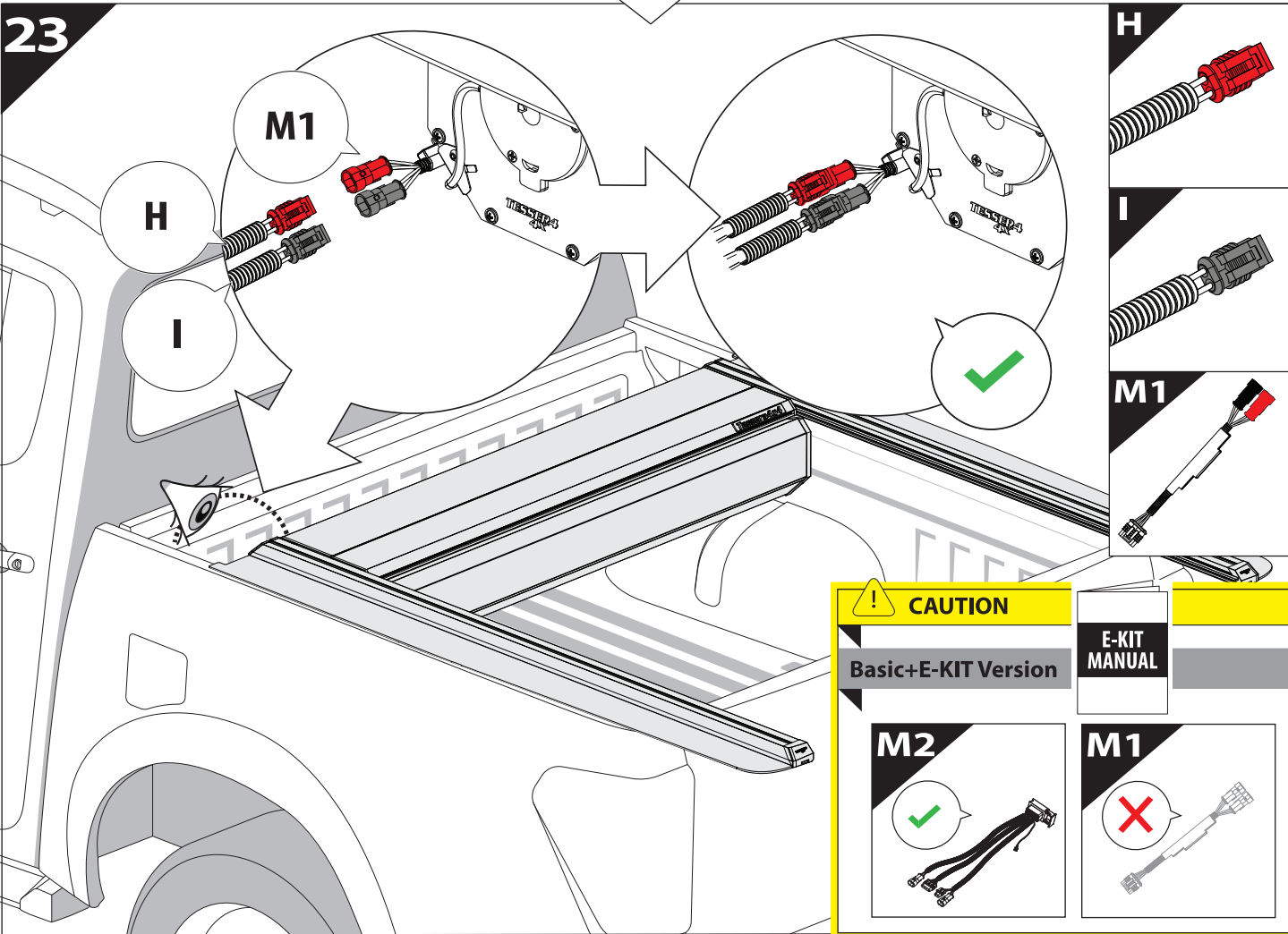
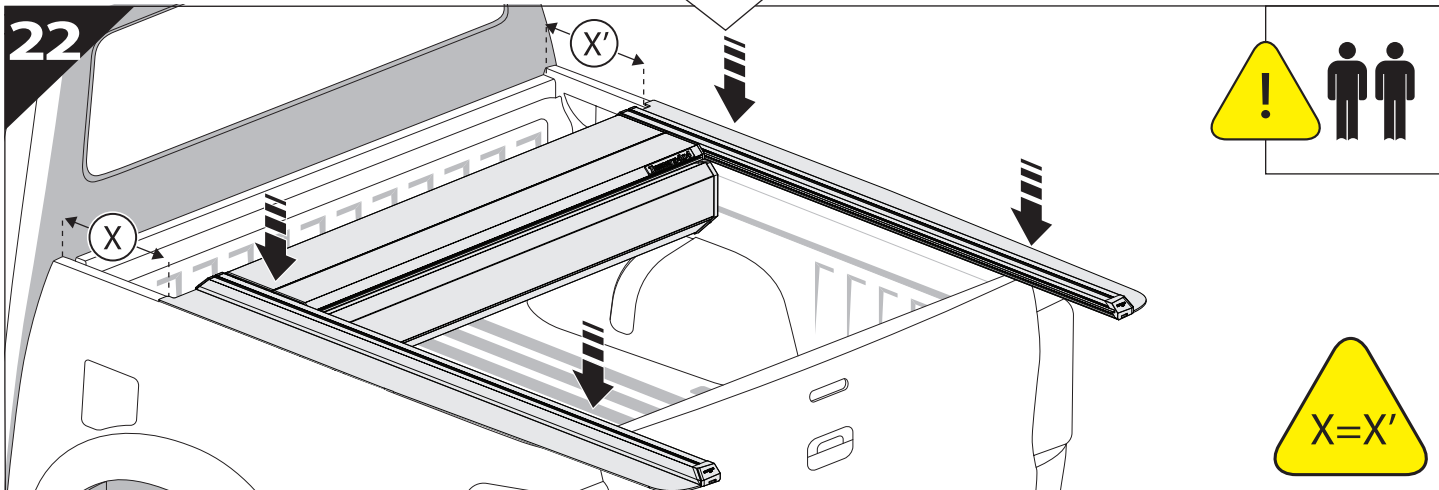
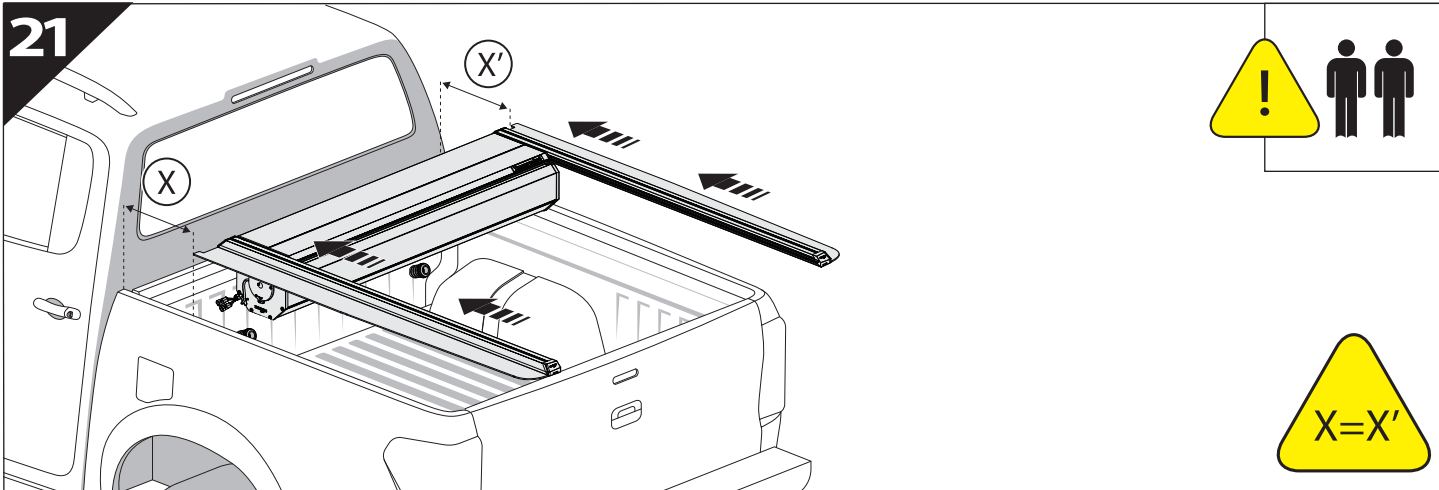


17.4

L3

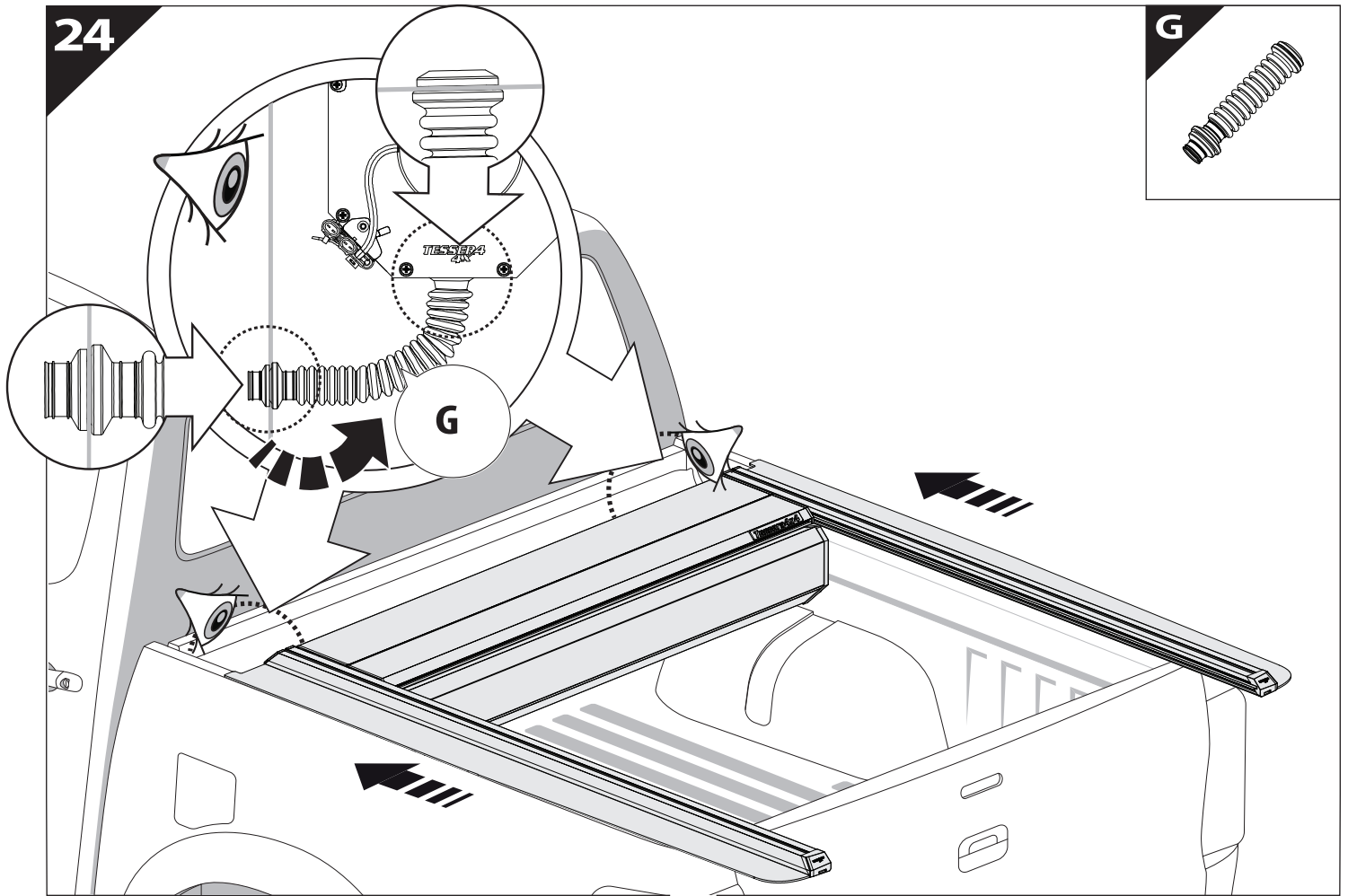




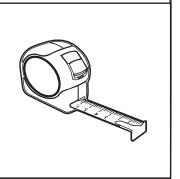
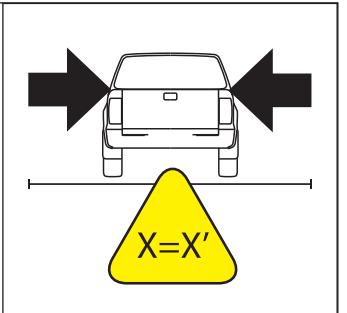
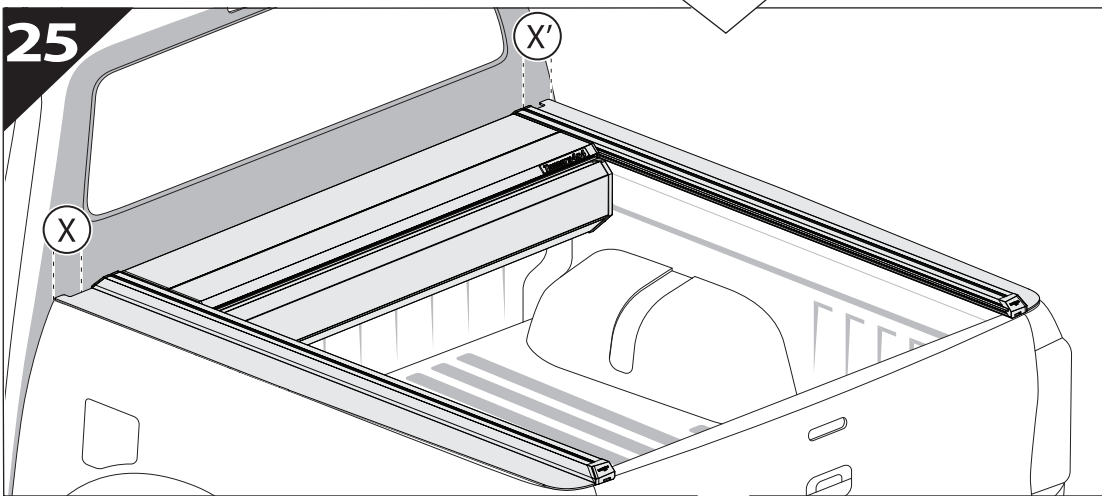


24

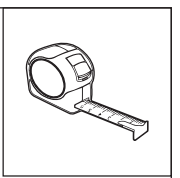
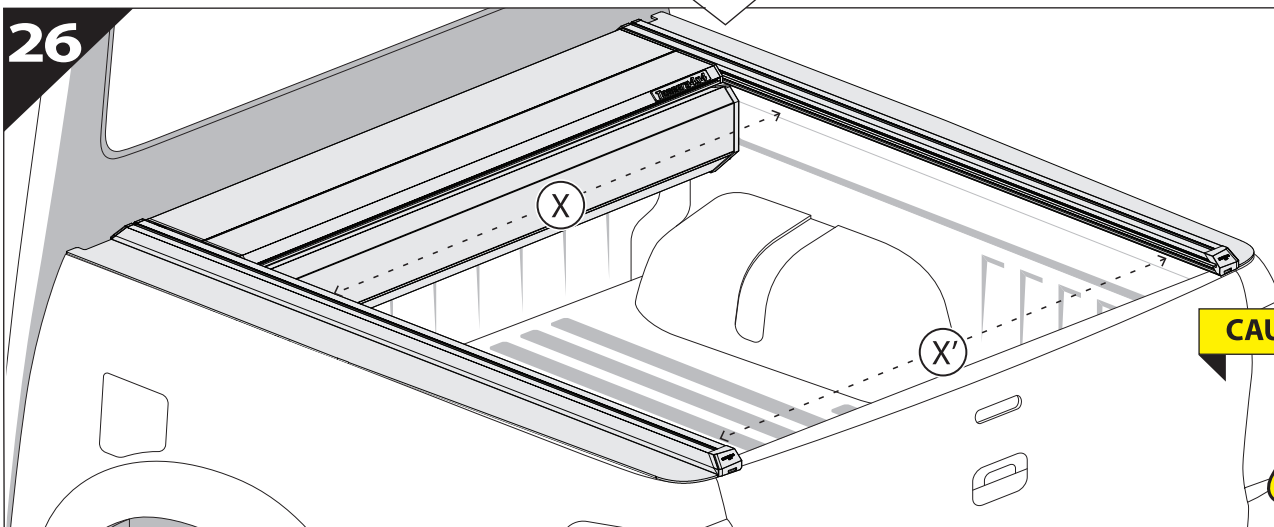
G



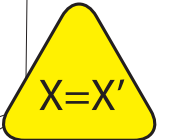
25

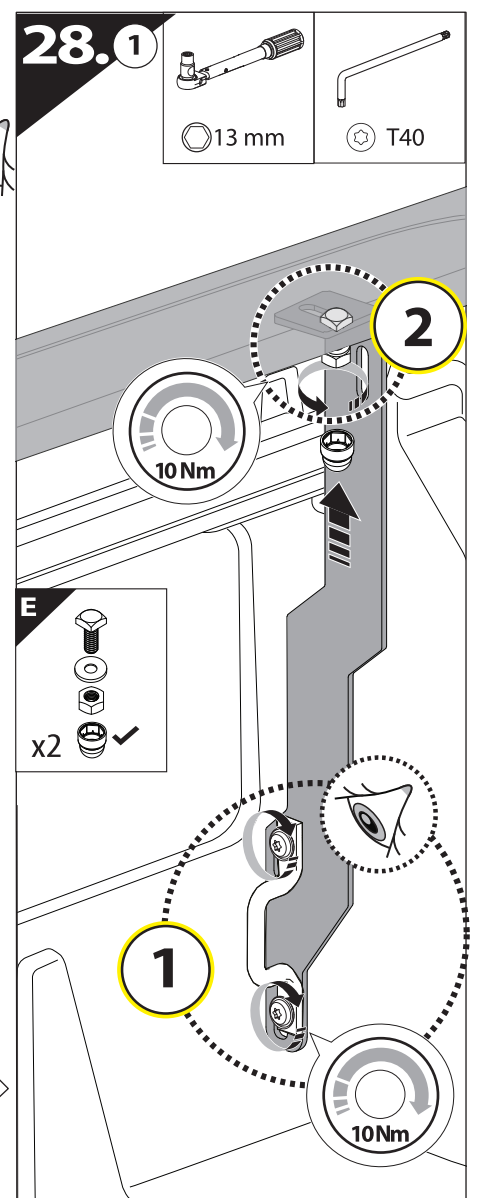
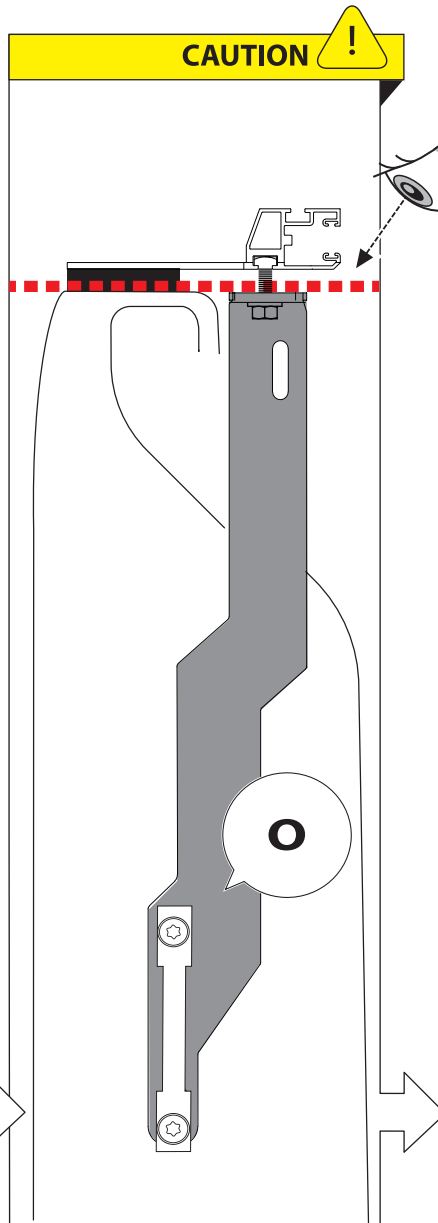
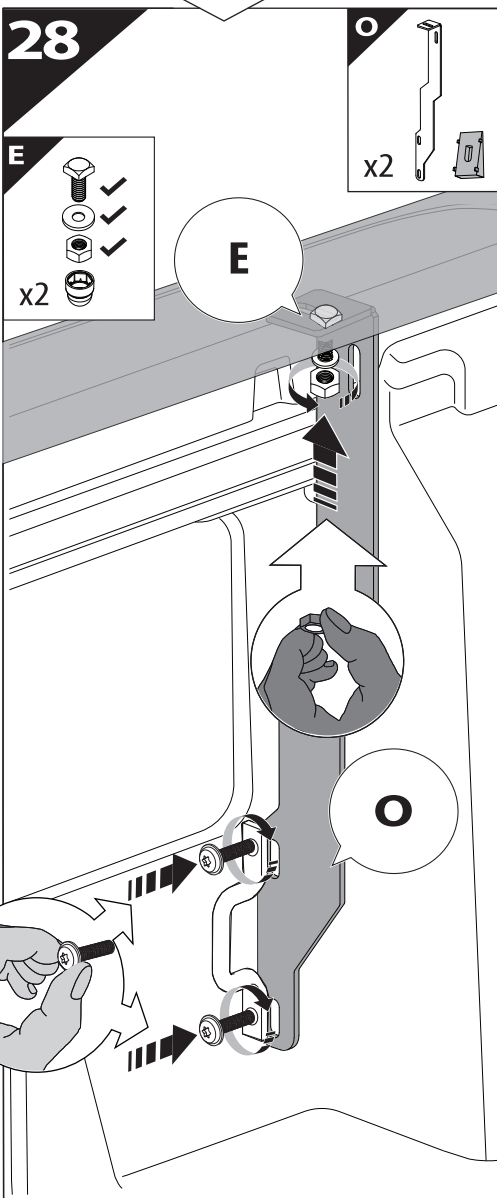
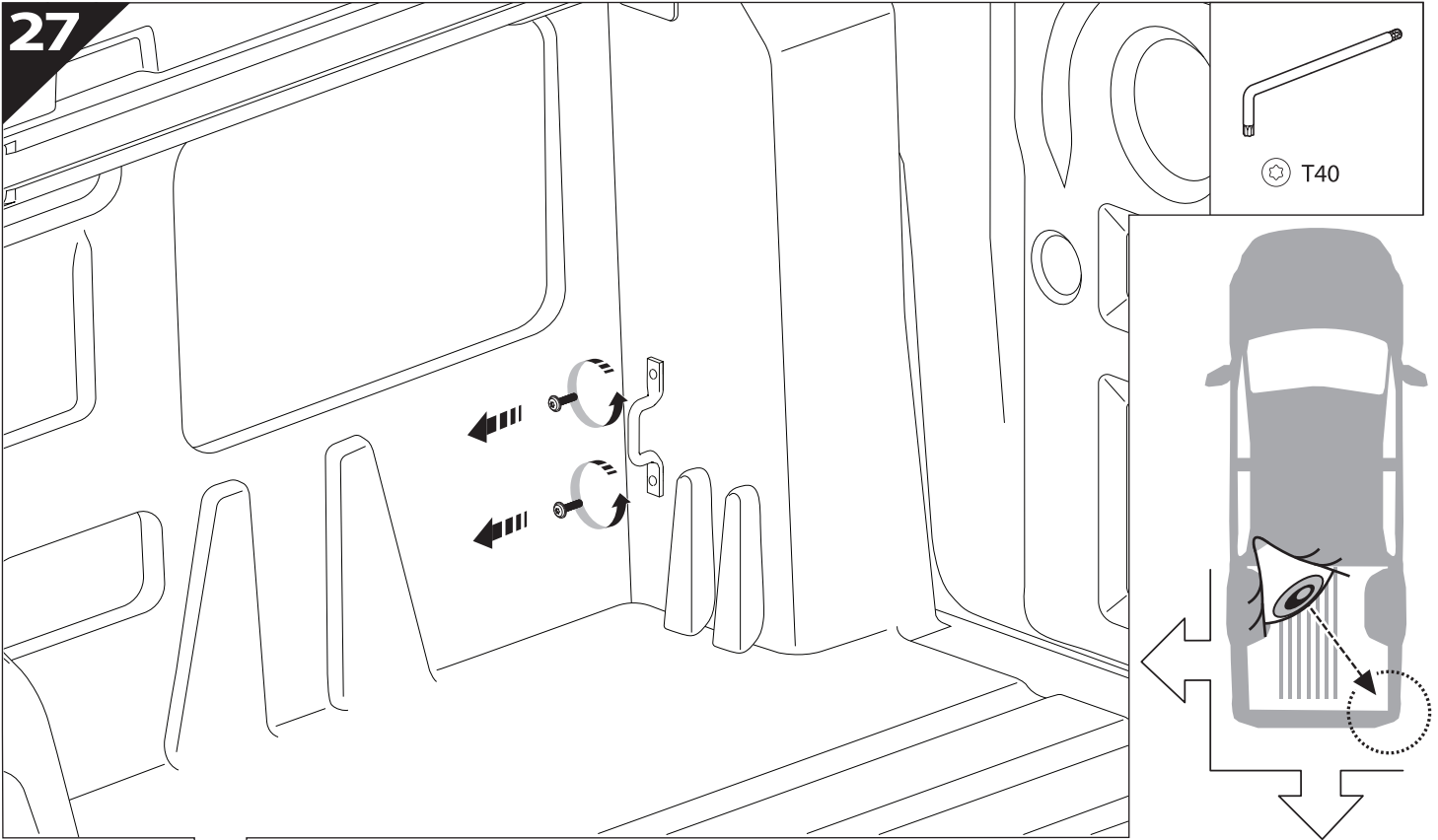


26



CAUTION !



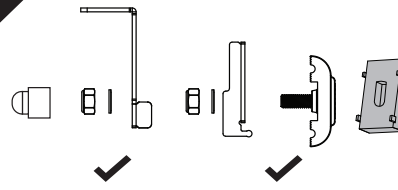


29 A

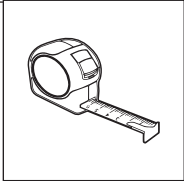
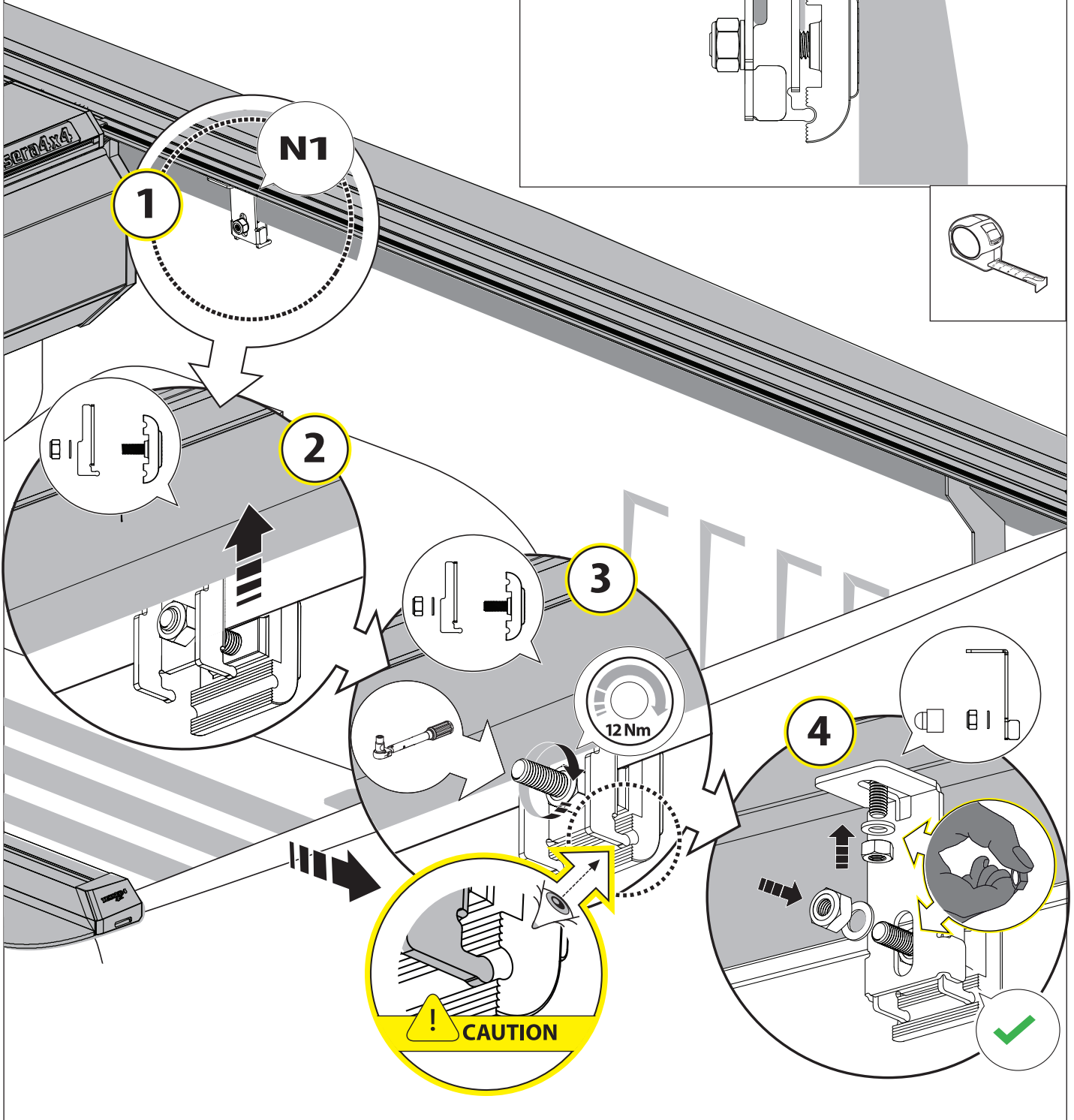
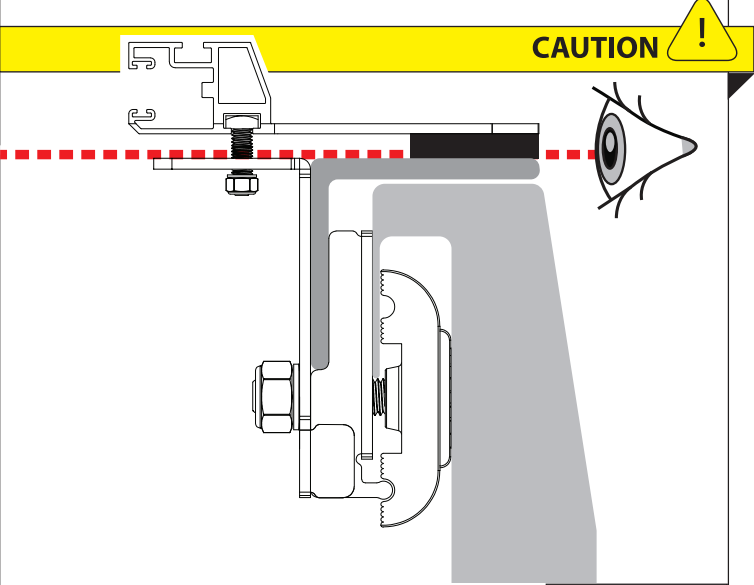
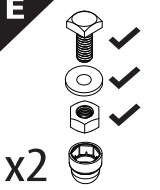


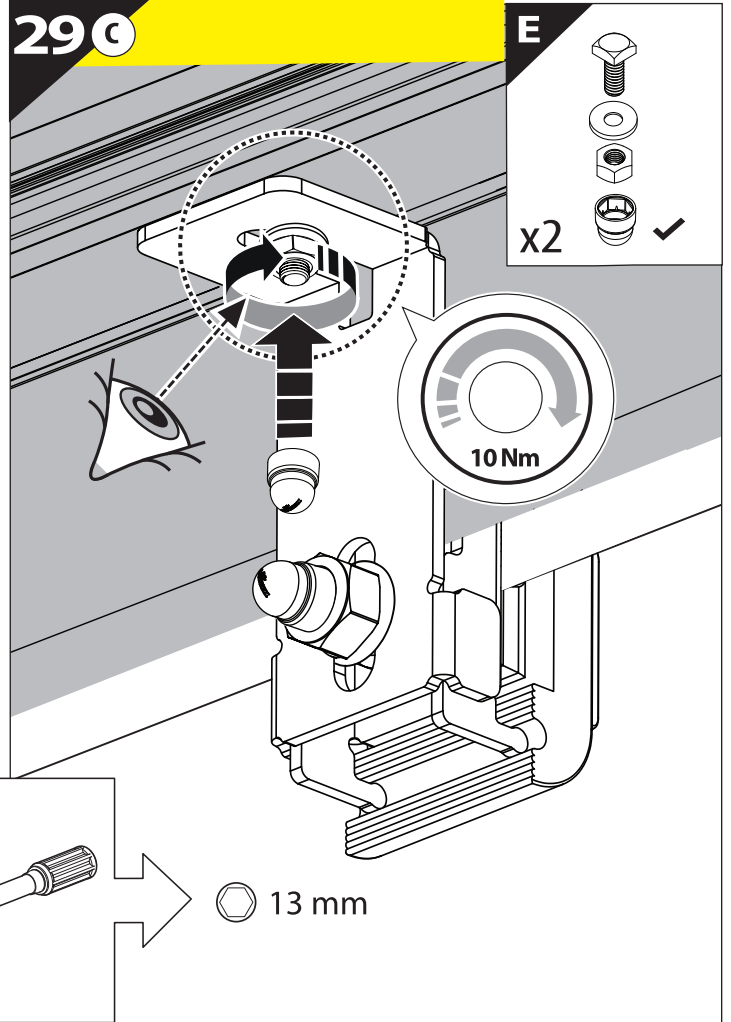
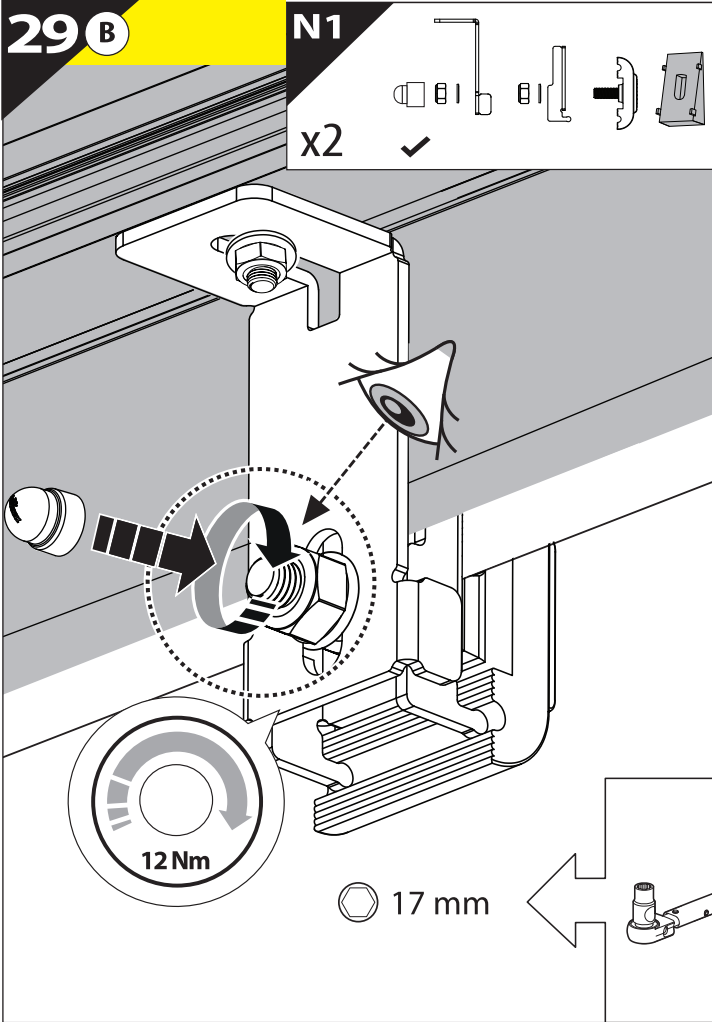
WITHOUT C - CHANNELS

N1

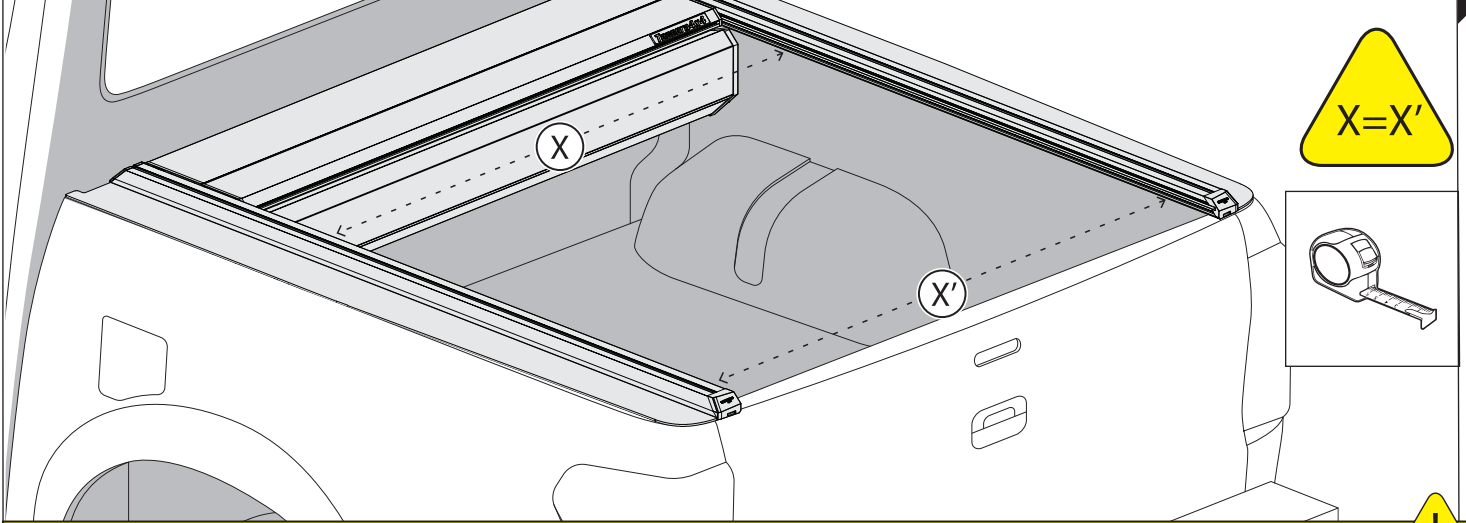


E

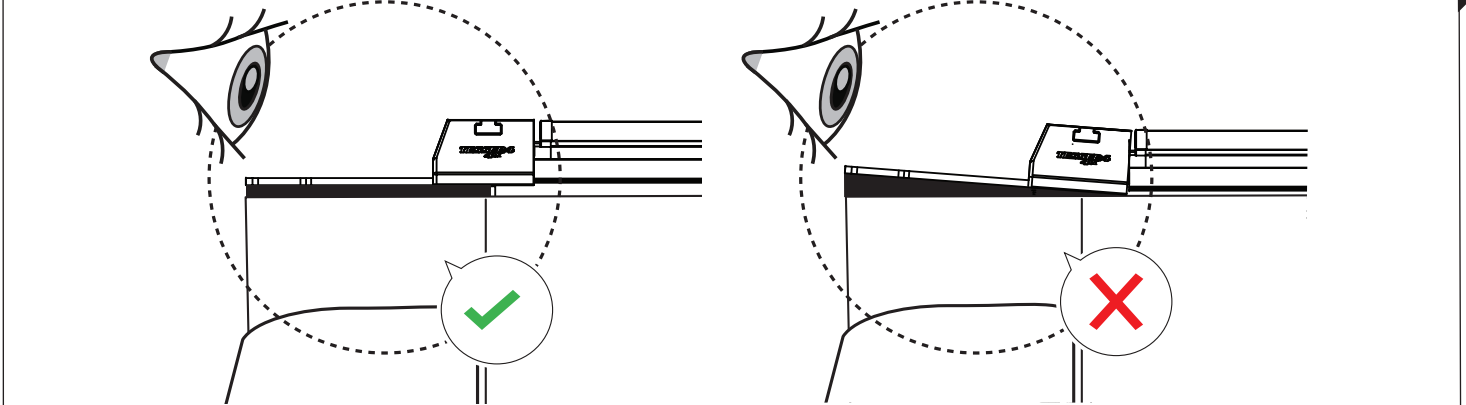




CAUTION !



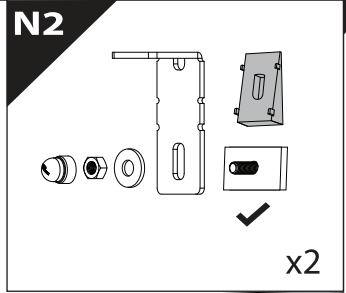
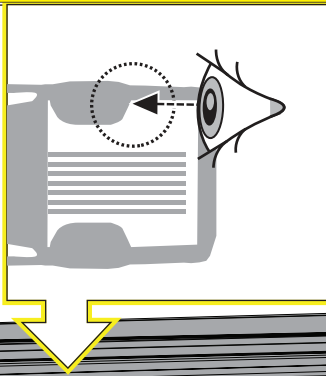
CAUTION !



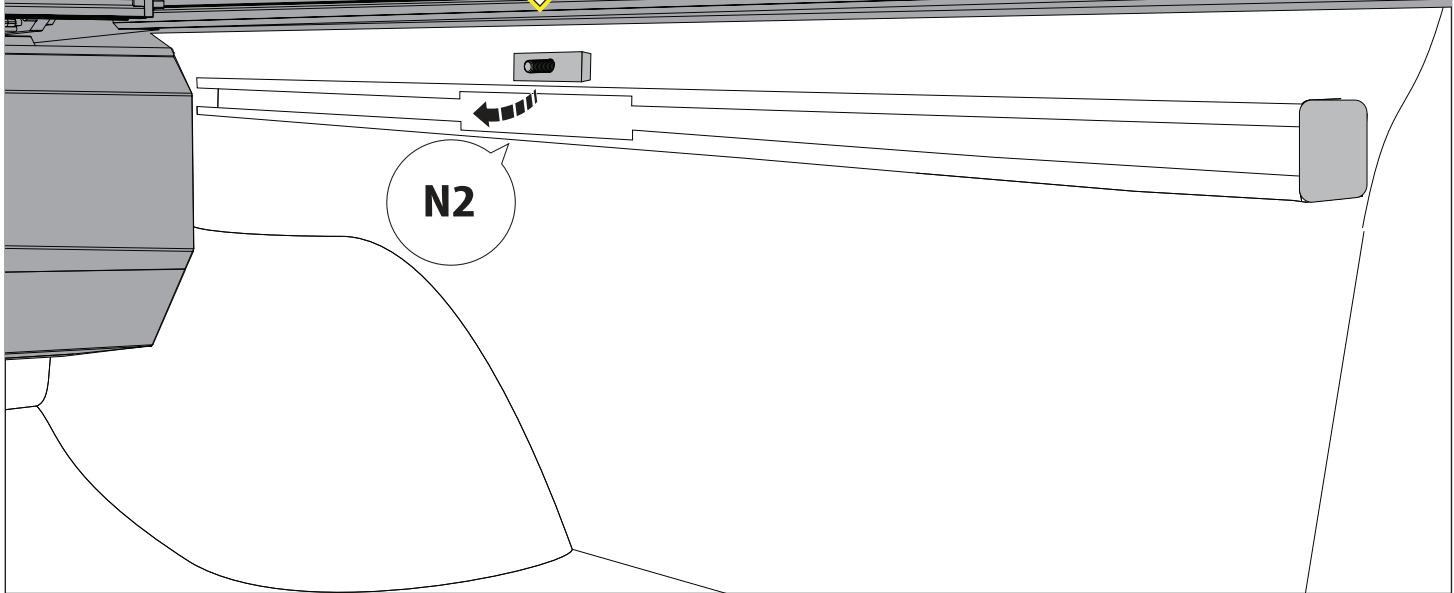
29 A



WITH C - CHANNELS



4x4

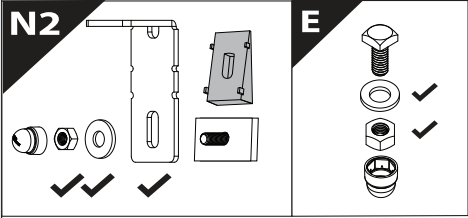


29 B

CAUTION !

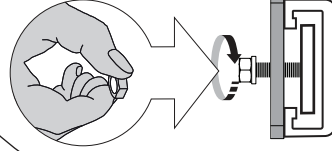
N2

E



3 mm

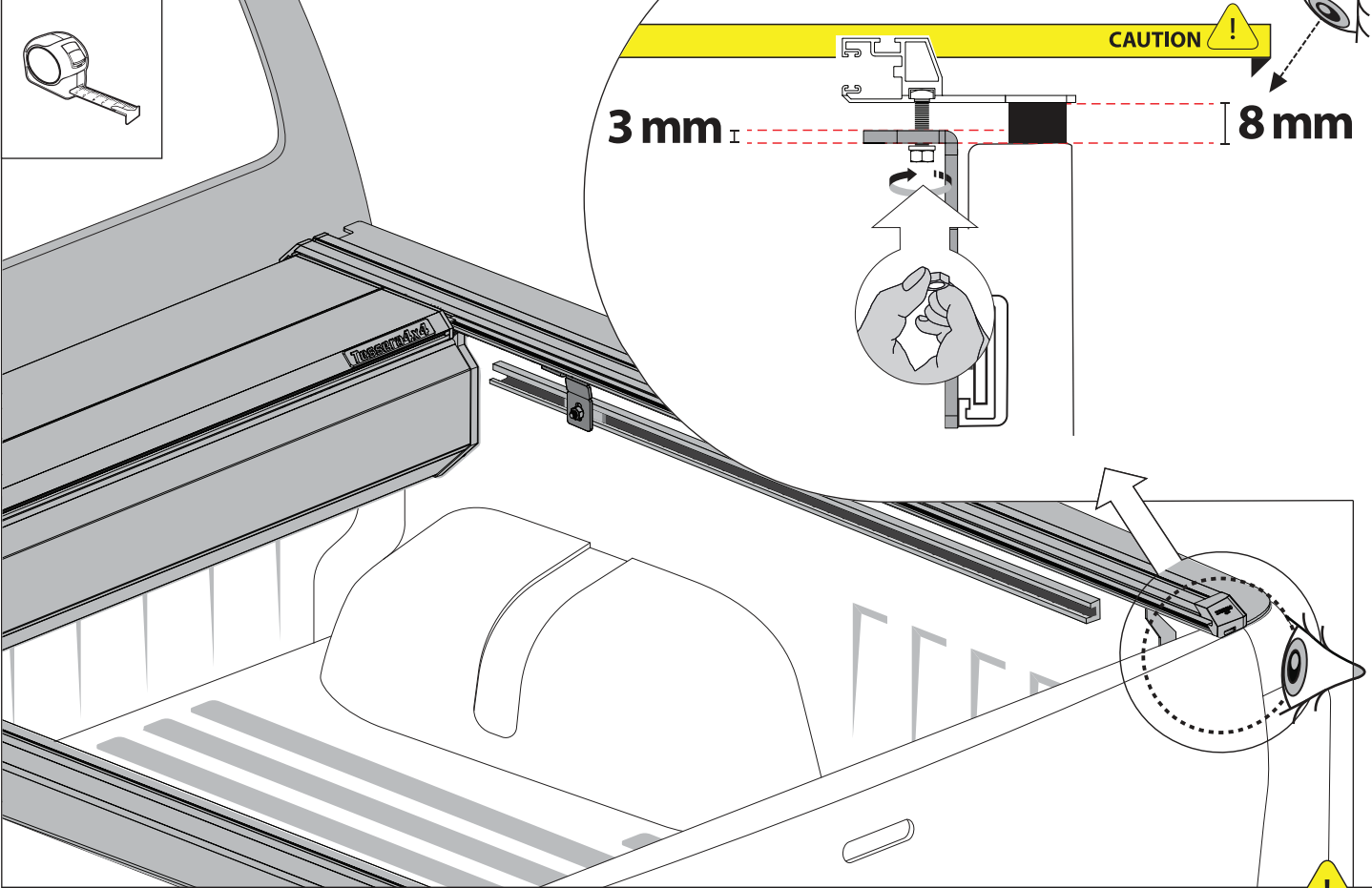
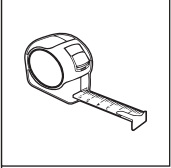
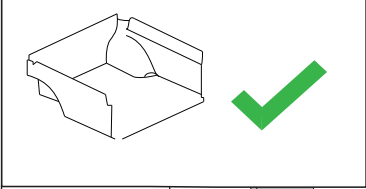
8 mm



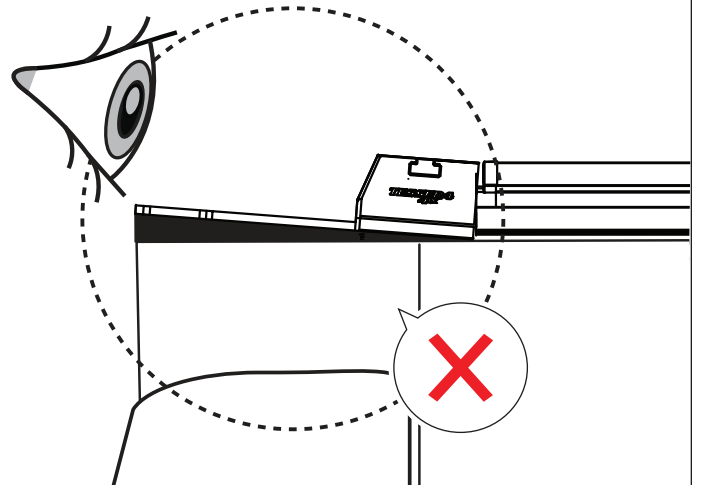
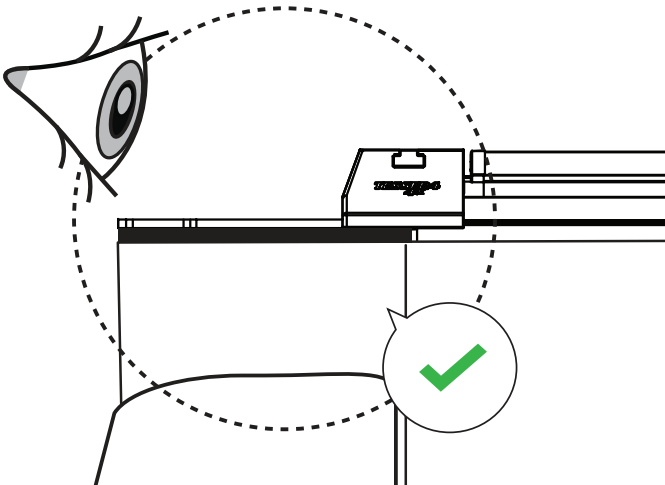
CAUTION !

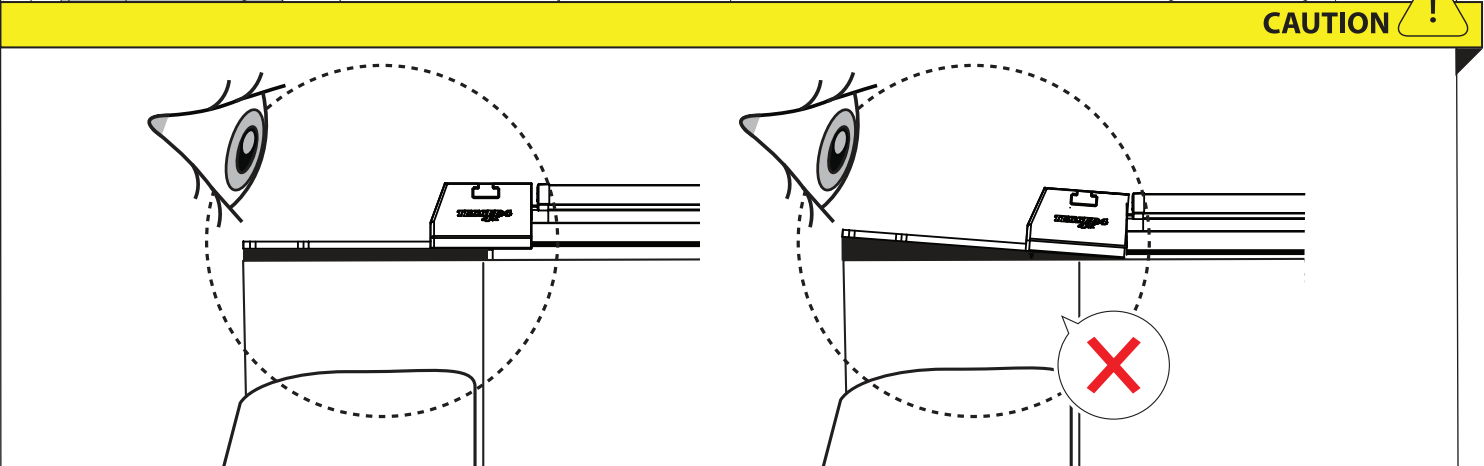
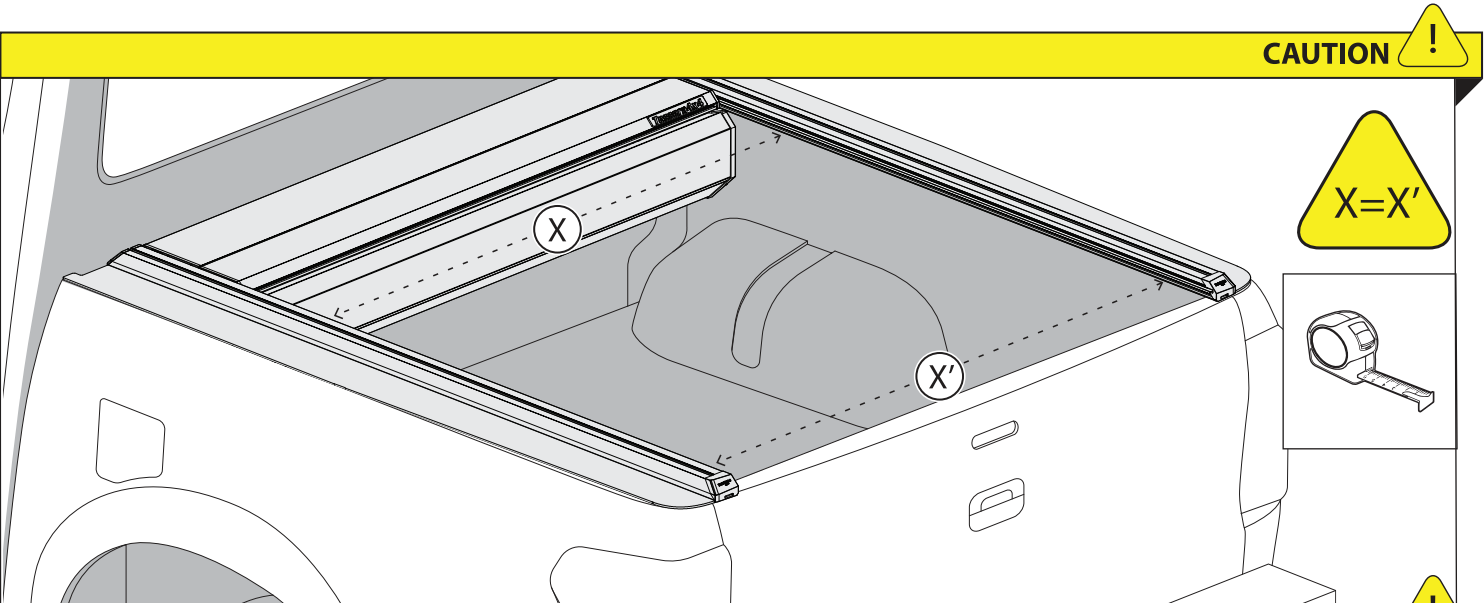
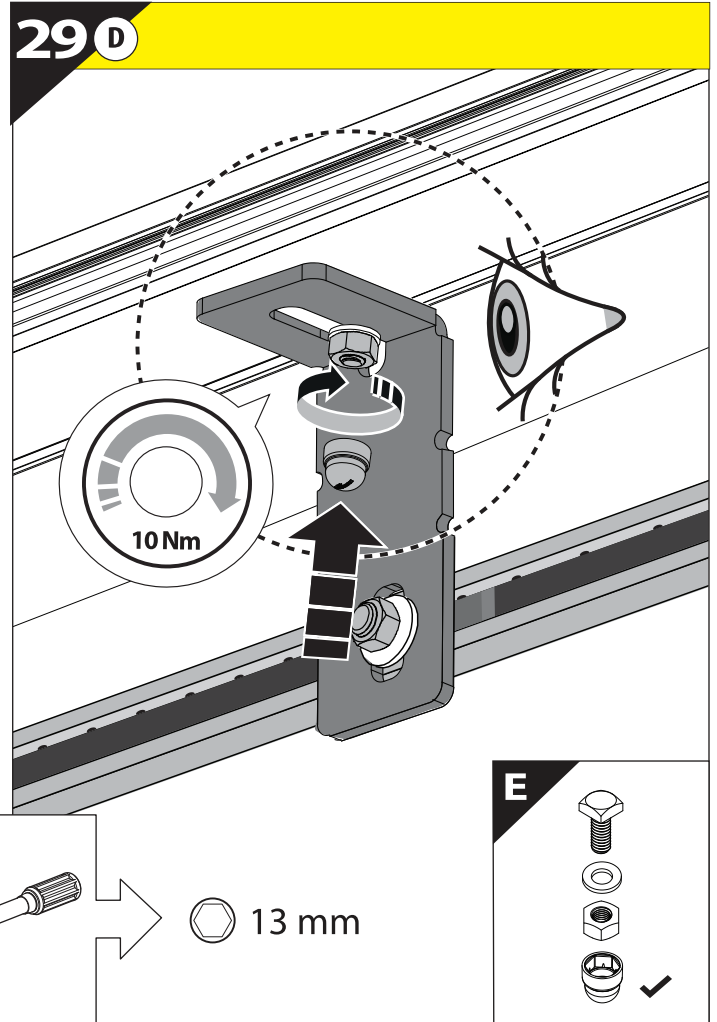
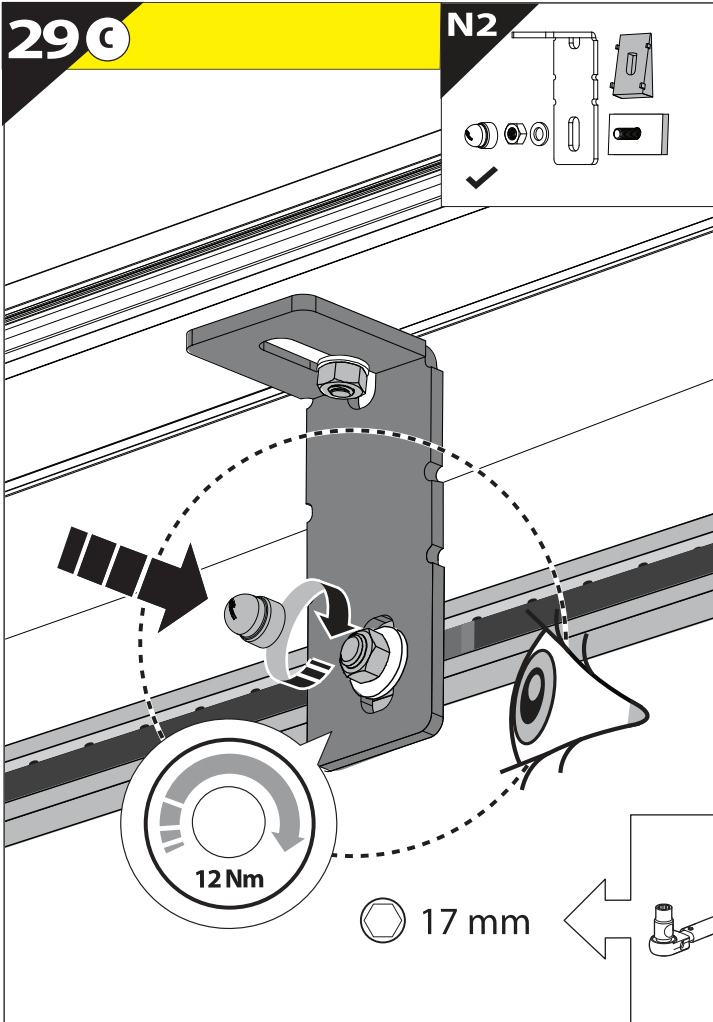
3 mm

8 mm

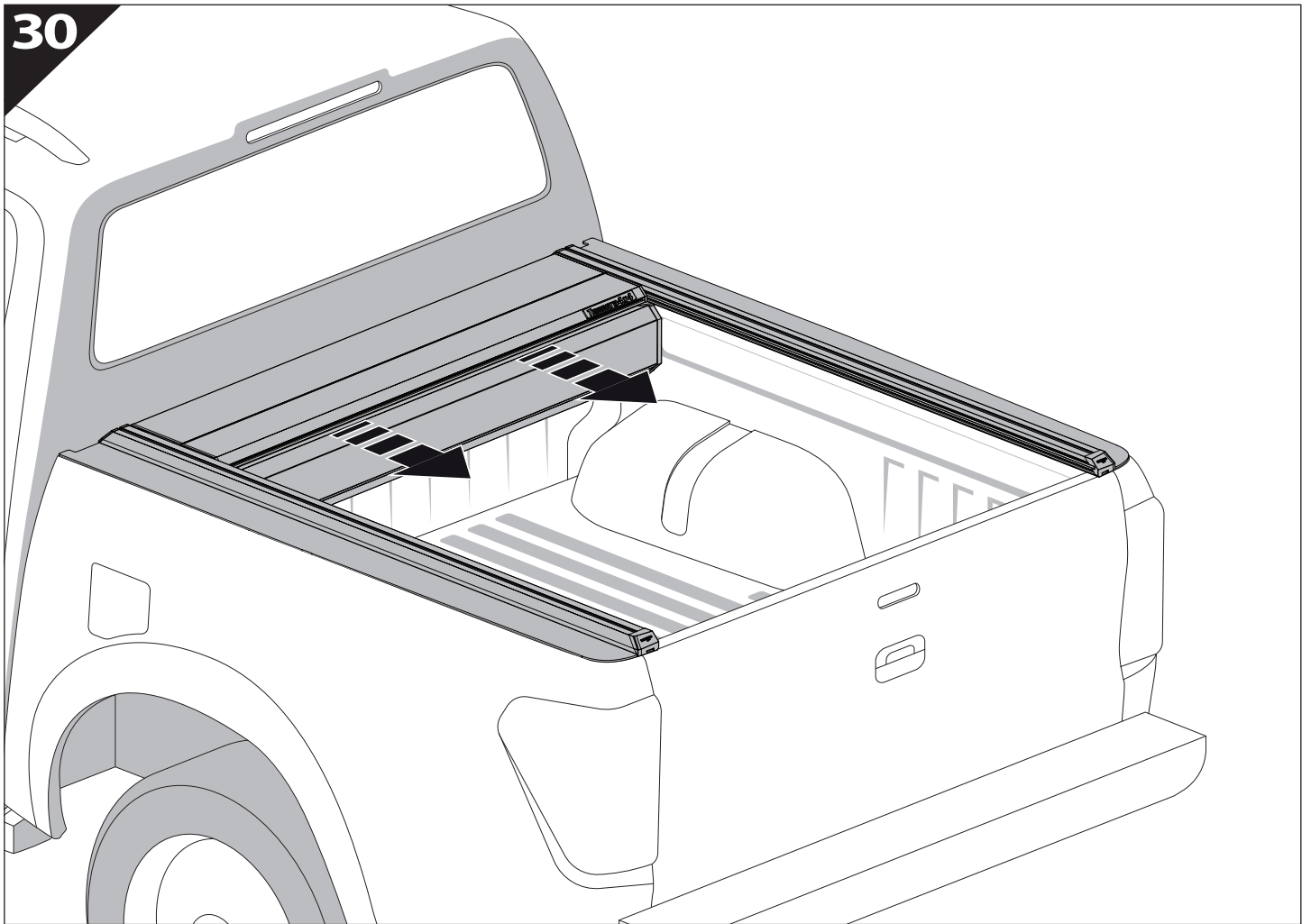


CAUTION !

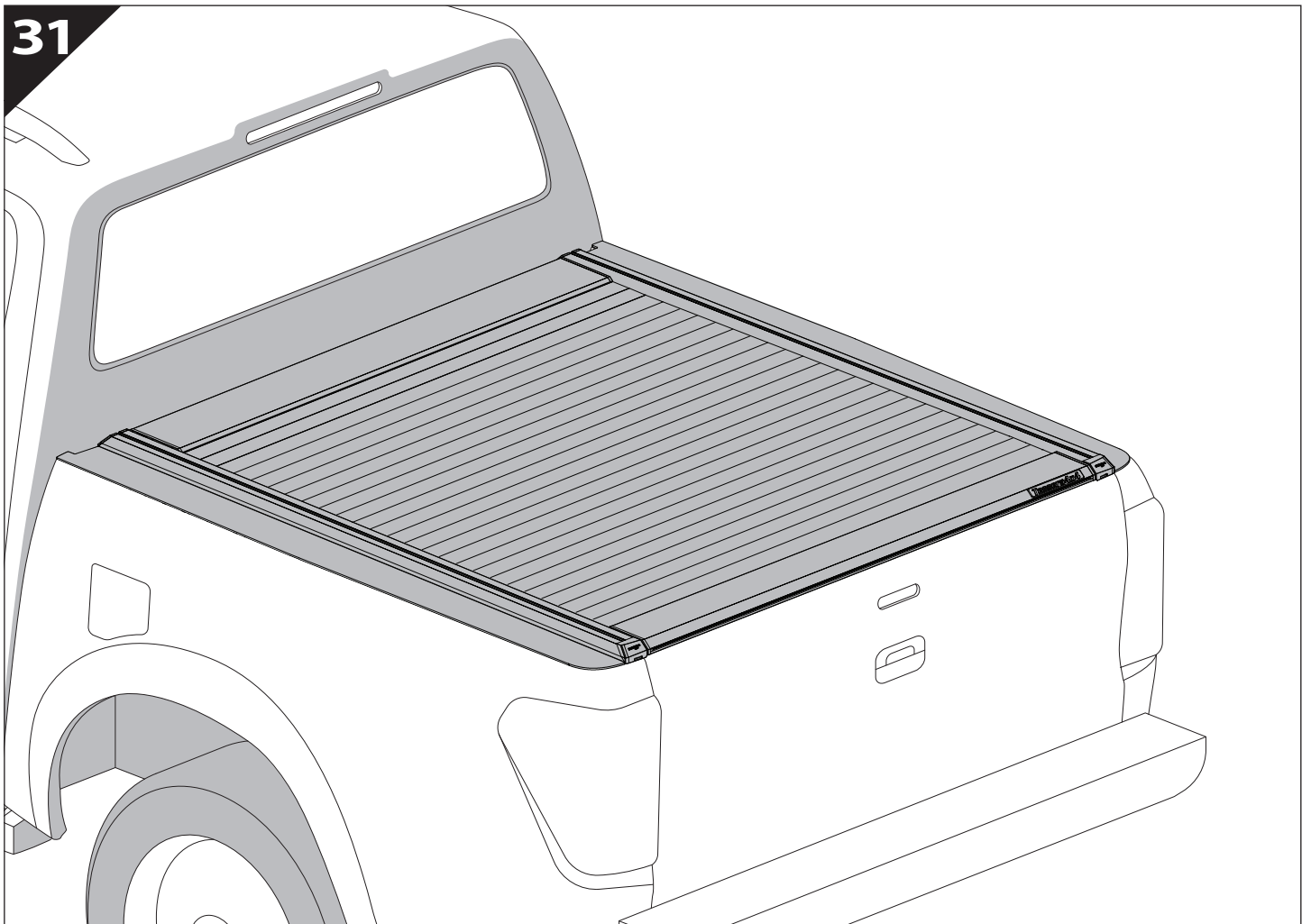




30



31





GR: Οδηγίες Εγκατάστασης
GB: Installation manual
SF: Asennusohje
F: Notice de montage
PL: Instrukcja montażu
NL: Installatie-instructies
TR: Montaj Talimatı
S: Monteringsanvisning
E: Instrucciones de montaje

H: Szerelési utasítás
P: Instruções de instalação
RUS: Инструкция по установке
N: Monteringsveiledning
D: Einbauanleitung
CZ: Návod k instalaci
I: Istruzioni de montaggio
DK: Monteringsvejledning
RO: Instructiuni de instalare

Customer Service:

+30 (210) 5541161, +30 (210) 5541154 (08:00 - 16:00 EET)

Support department:

info@gianso.gr

Website:

www.tessera4x4.com

Address:

19.5 km of National road Athens-Korinthos (Elefsina) Greece, P.C: 19200