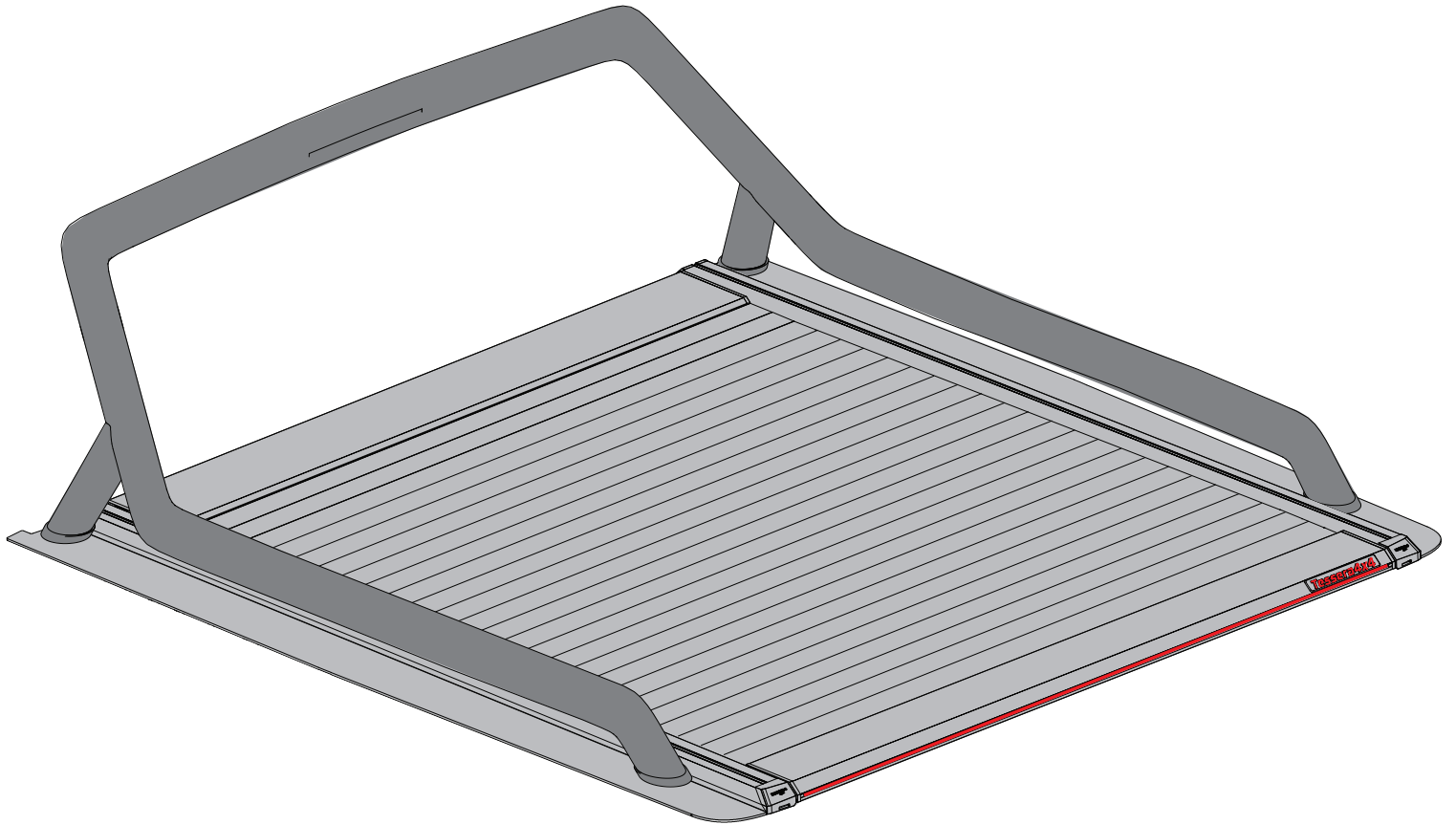


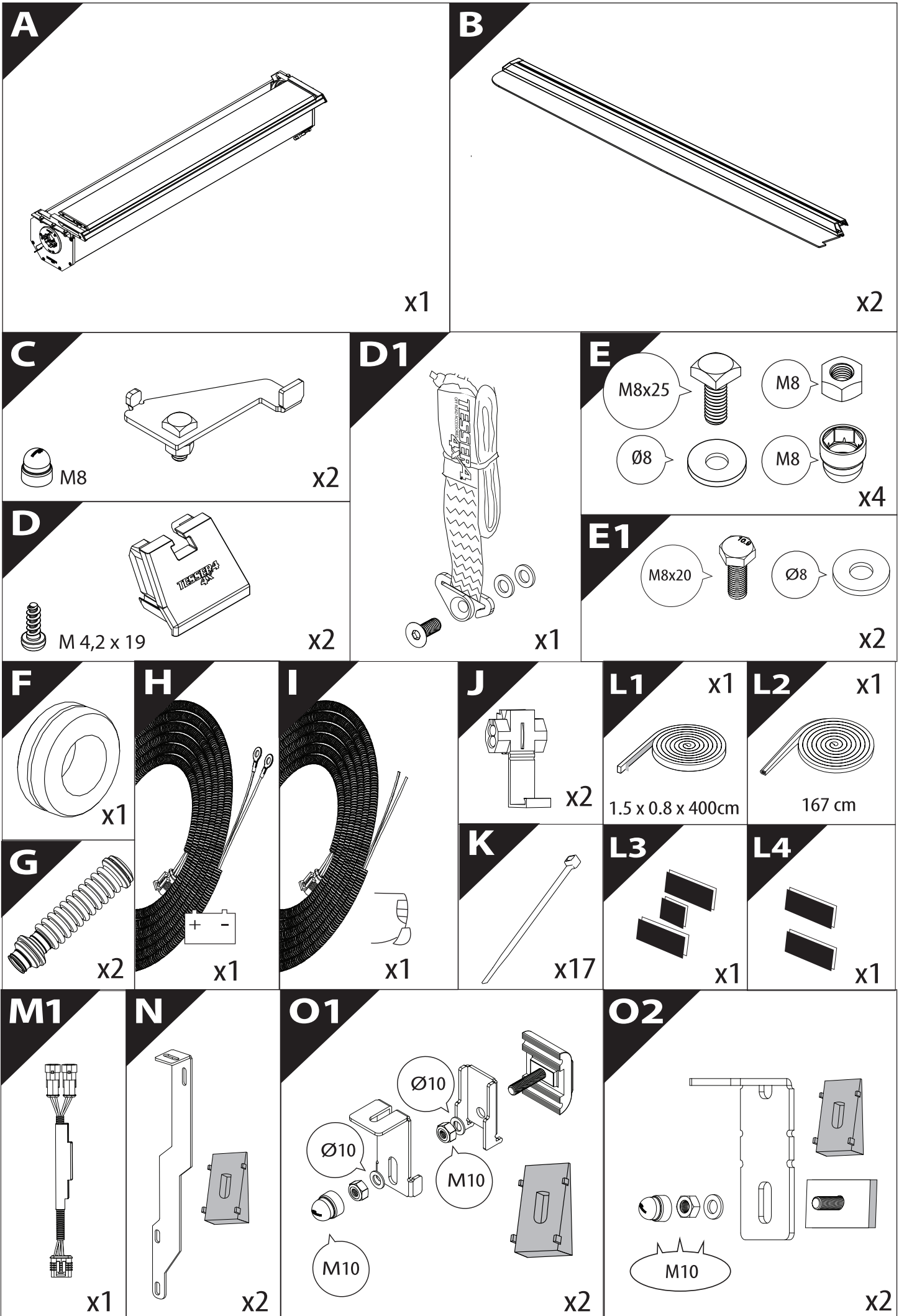
Tessera Roll+

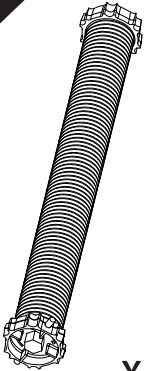
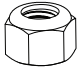
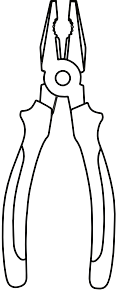

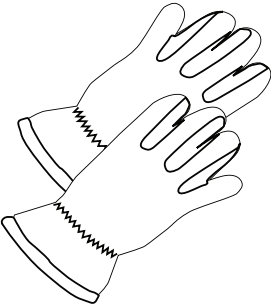
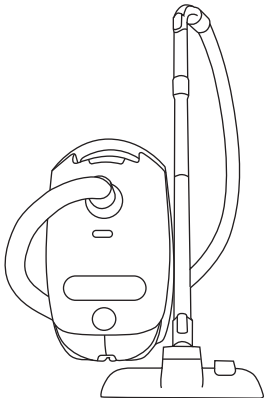
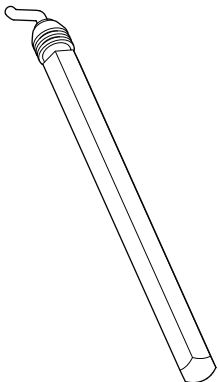

Basic Version + ⚙️ S-KIT

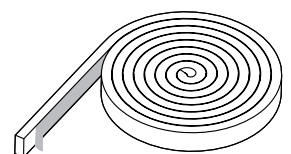
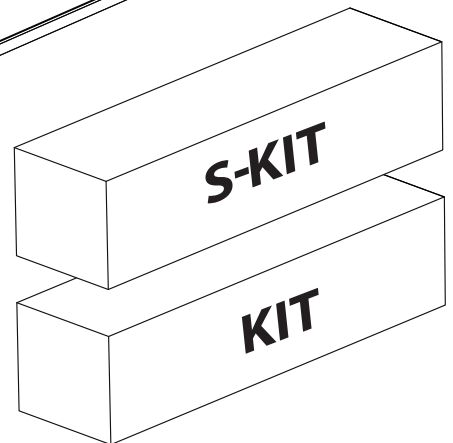
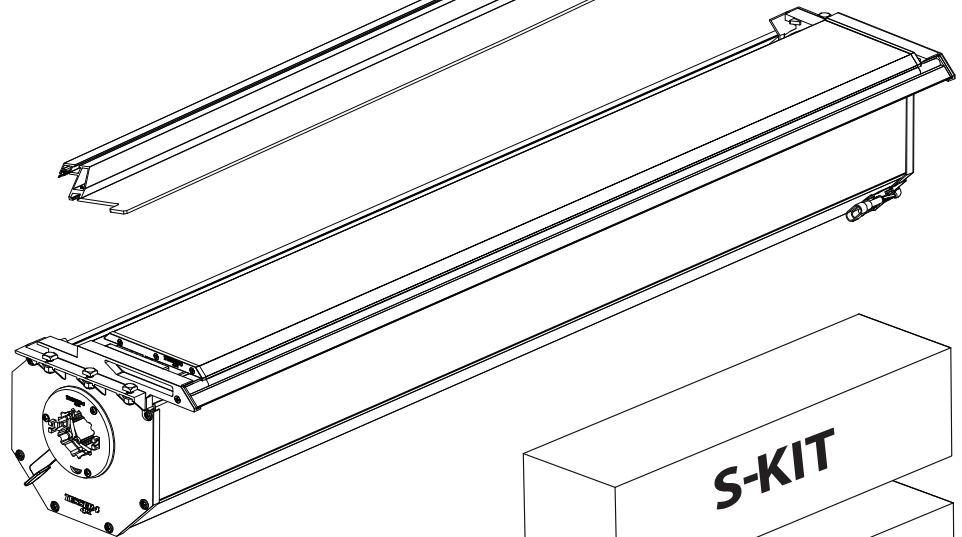
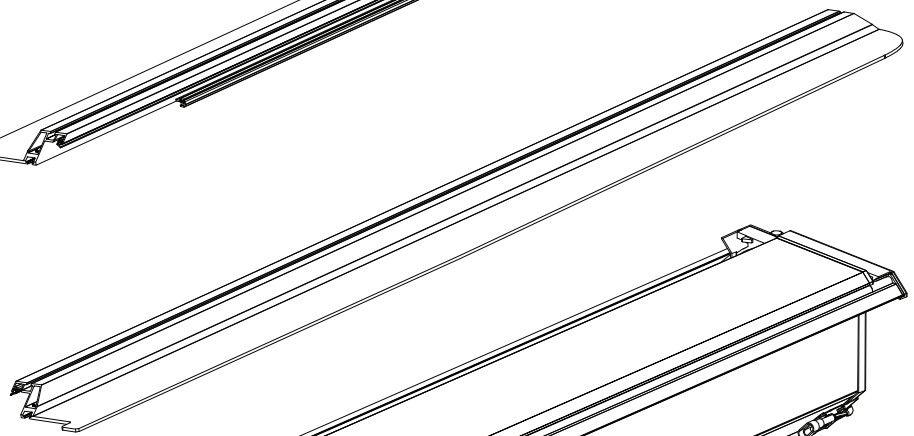
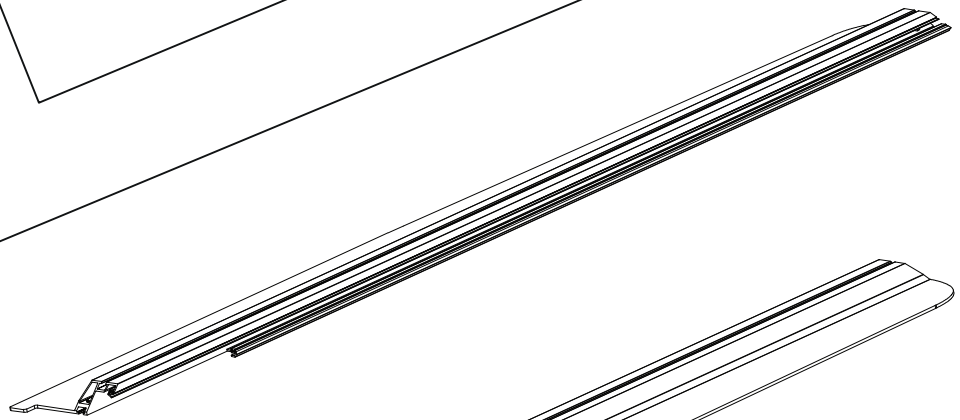
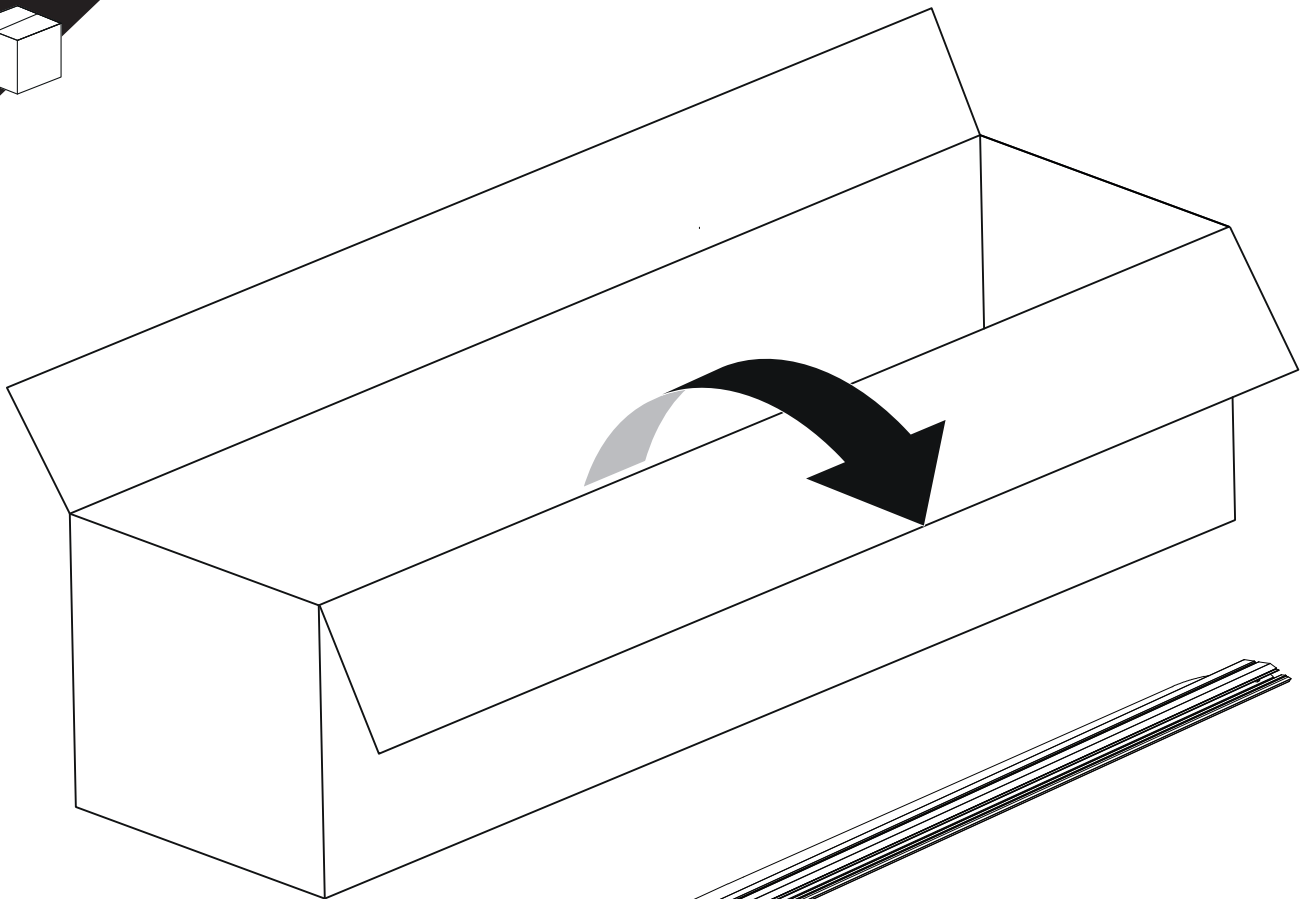


Installation Manual

PART NUMBER(S)	Model Year
TESS 14012 ROLL+S-KIT	VW AMAROK PANAMERICANA 2023+ WITH OR WITHOUT C-CHANNELS
Cab(s)	Installation Time / Weight
Double Cab	40-60 minutes / 53-57 kg



<p>P</p>  <p>x1</p>	<p>Q</p>  <p>x2</p>  <p>M8 x4</p>  <p>M8x25 x8</p>		<p>R</p>  <p>x1</p>	  <p>Ø 25 mm</p>	
 <p>+</p>			 <p>4 mm</p>	<p>1 - 25 Nm</p>  <p>10, 12, 13, 17 mm</p>	
 <p>ACETONE</p>				 <p>H₂O</p>	
	 <p>T30, T40</p>		 <p>ANTI-RUST</p>		
 <p>INSTALATION MANUAL +S-KIT</p>  <p>OWNERS MANUAL</p> <p>x1</p>					

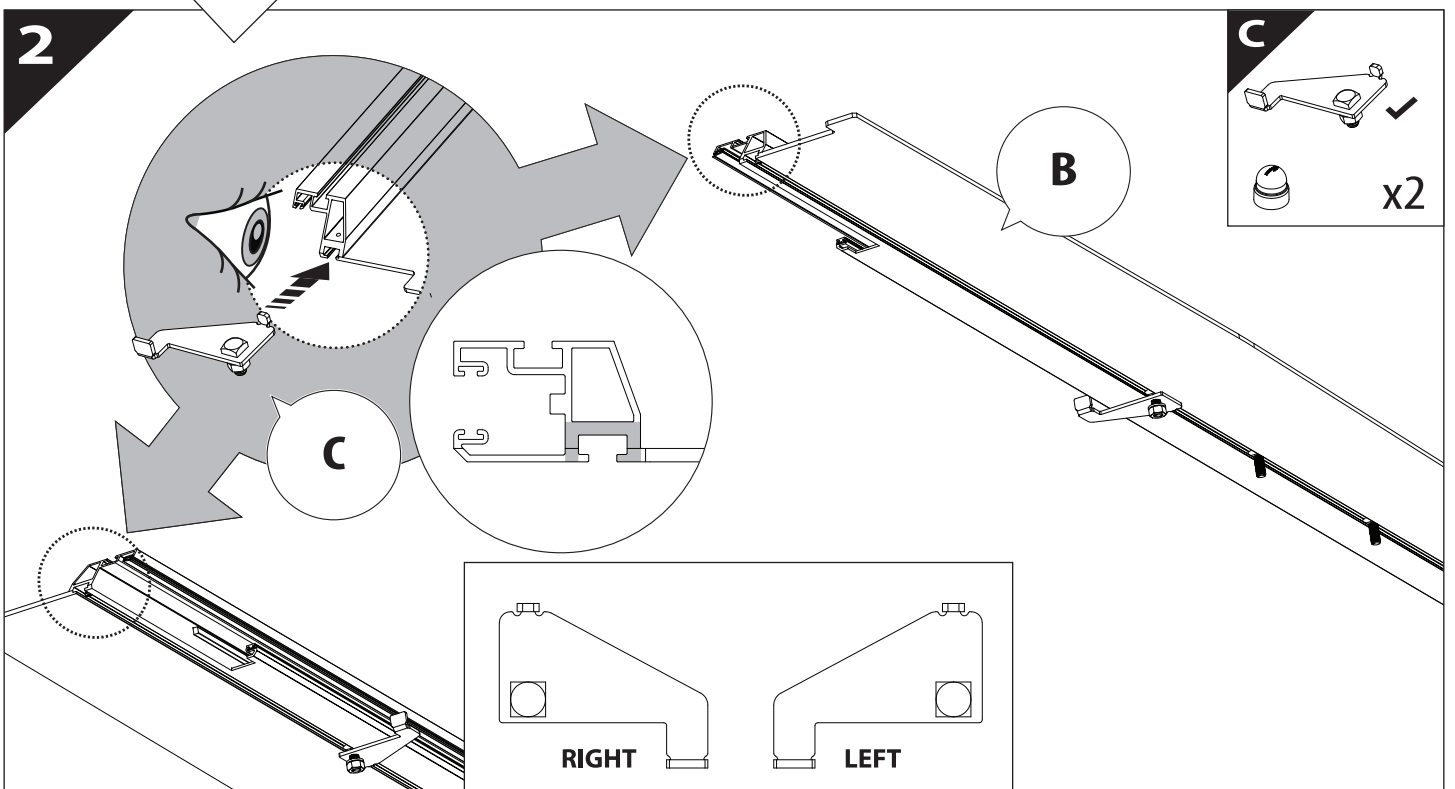
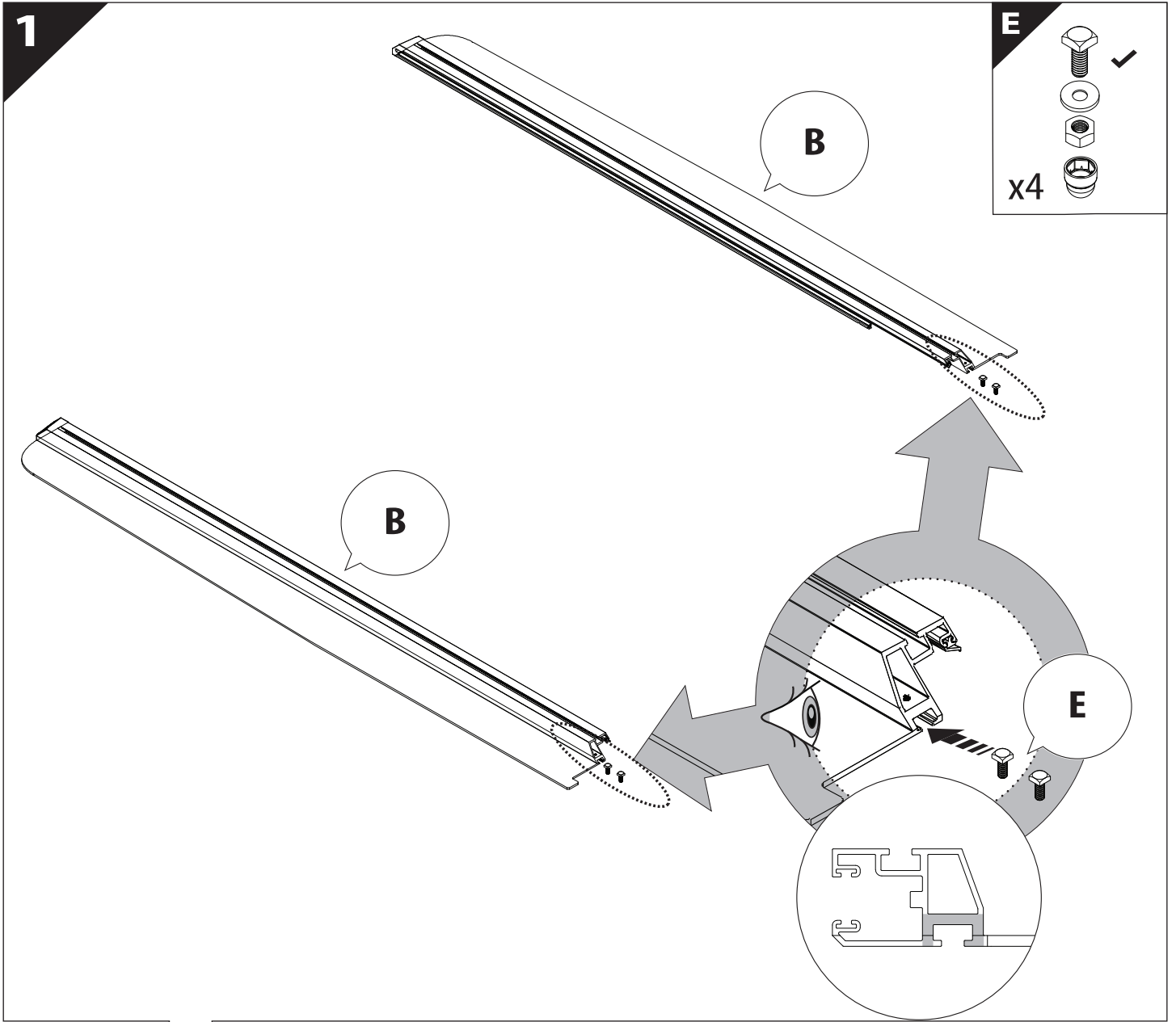


B

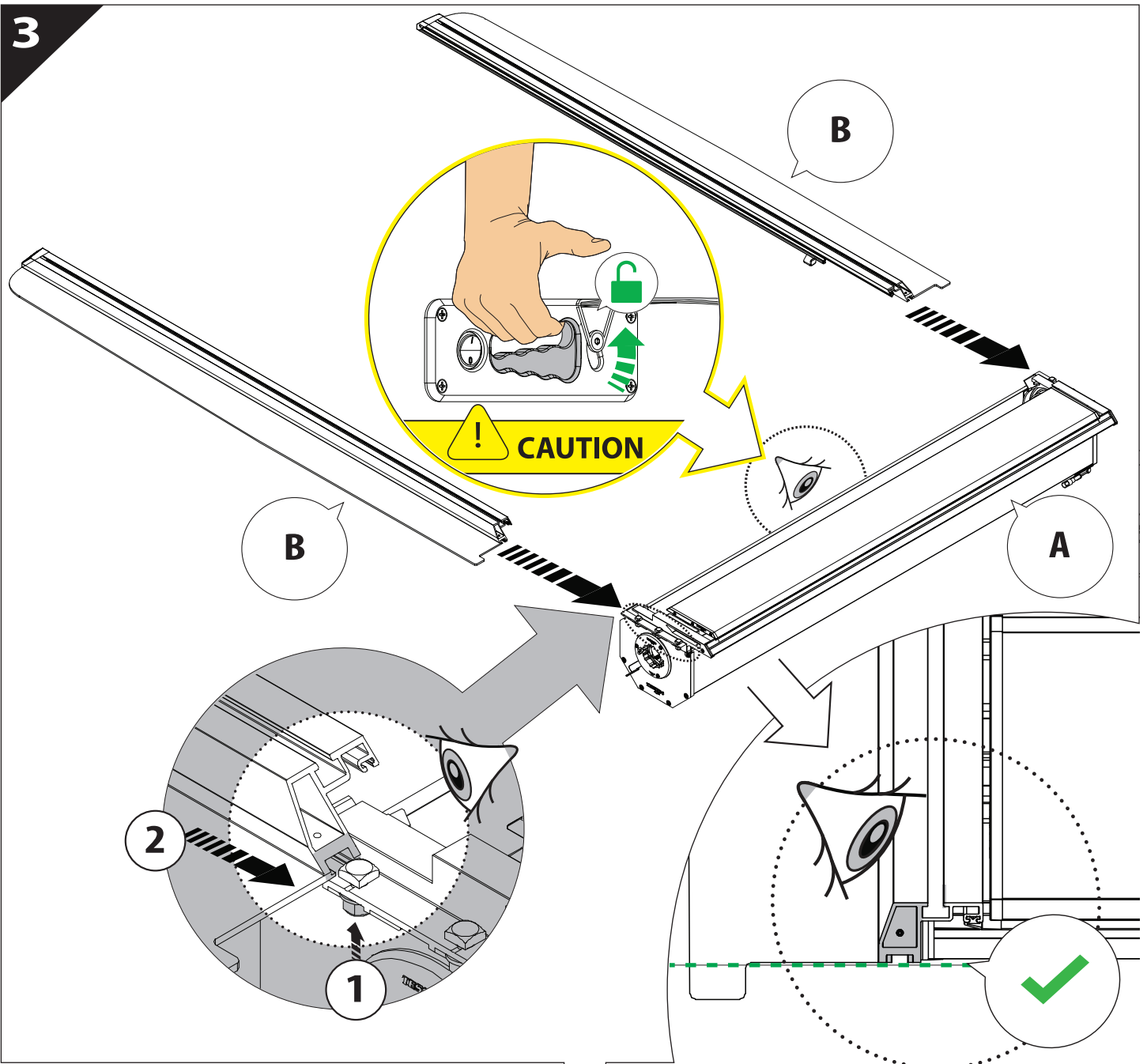
A

KITS

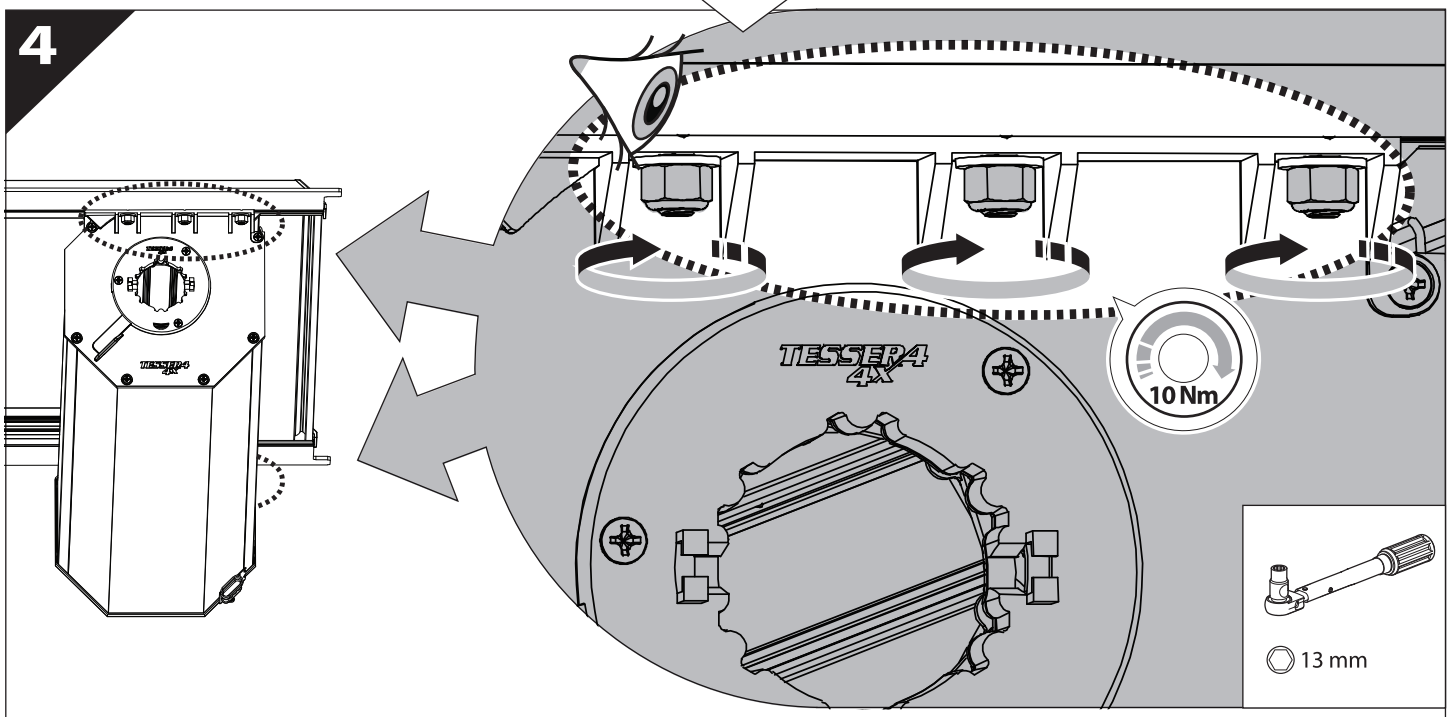
L

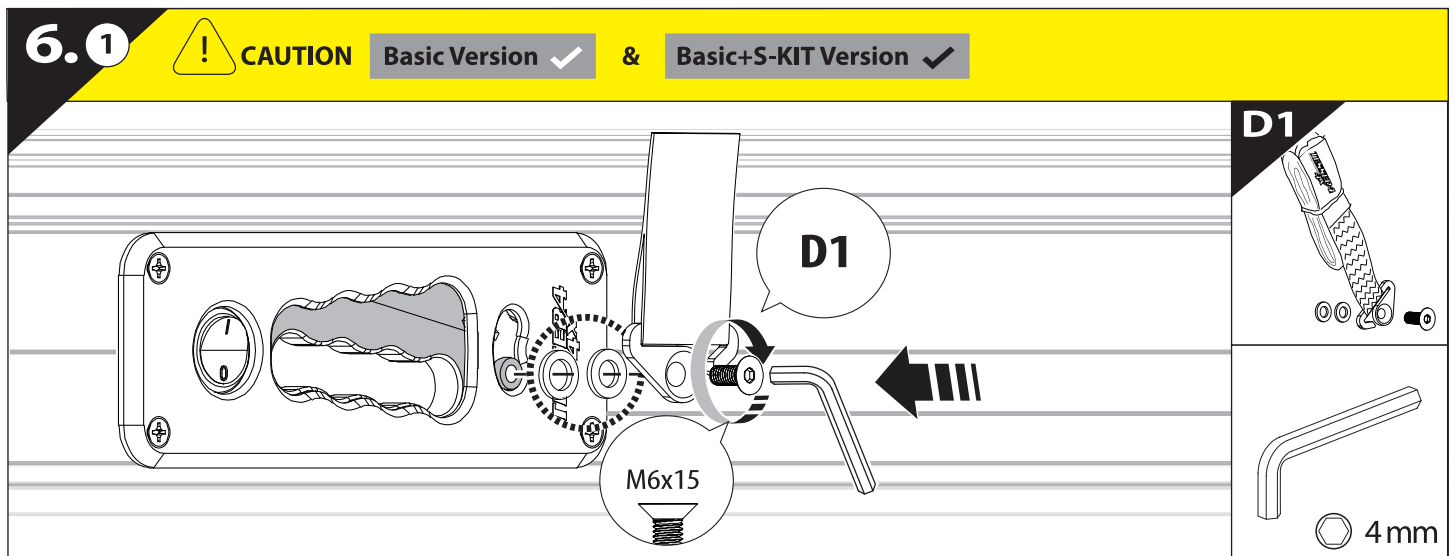
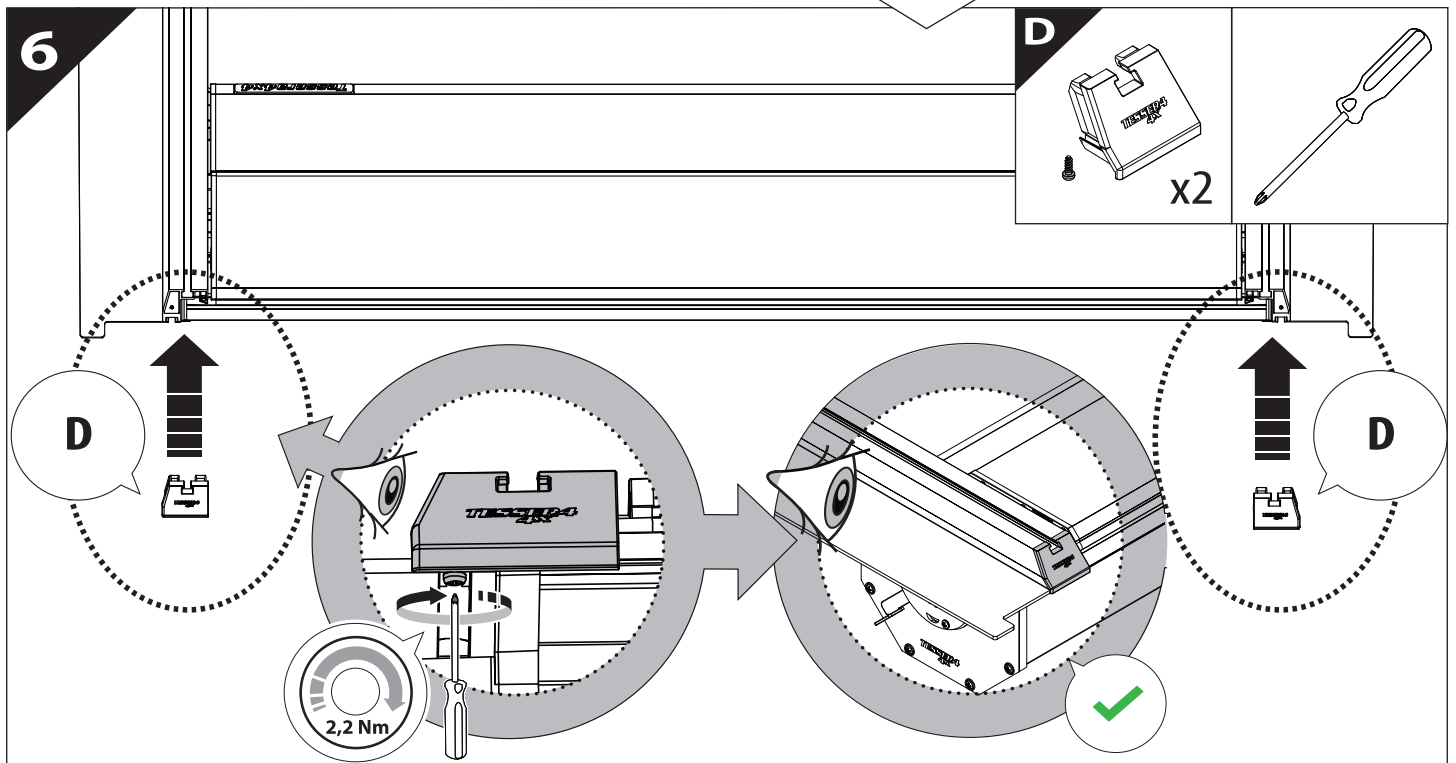
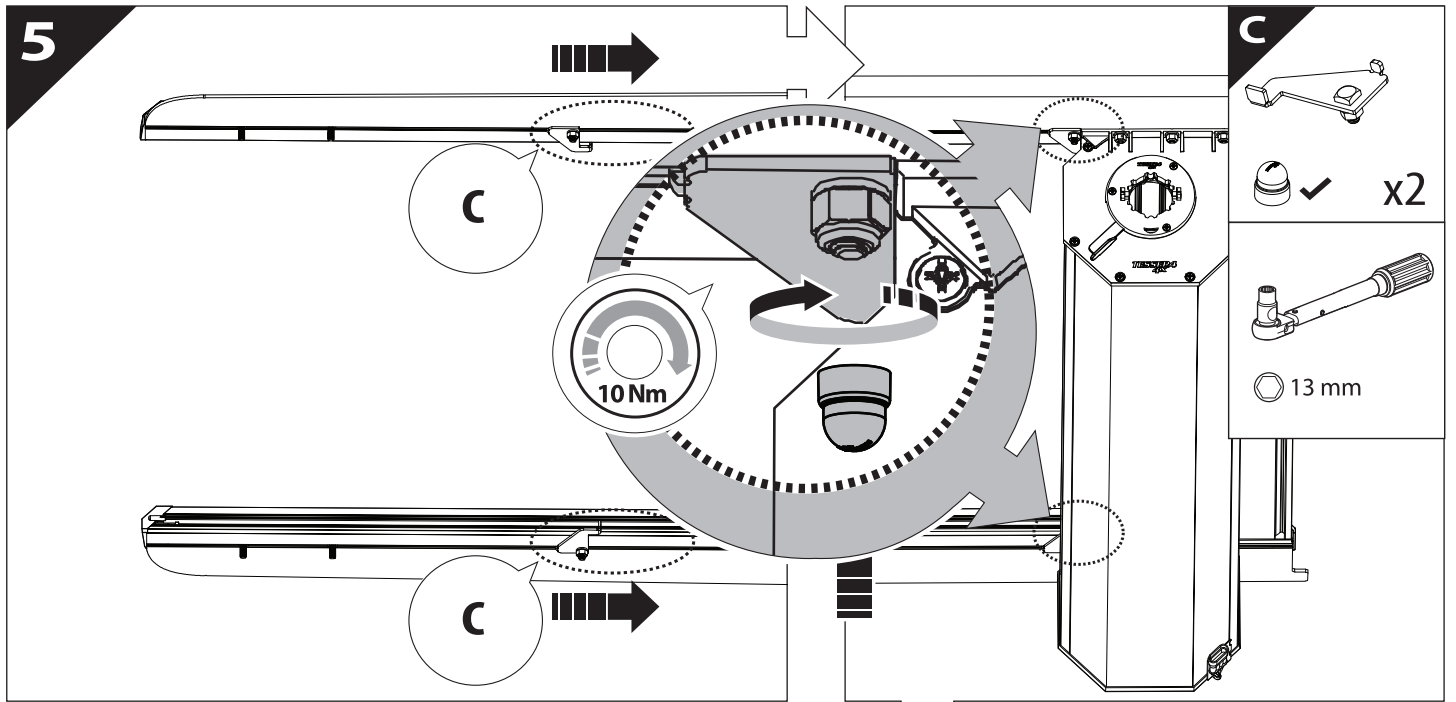


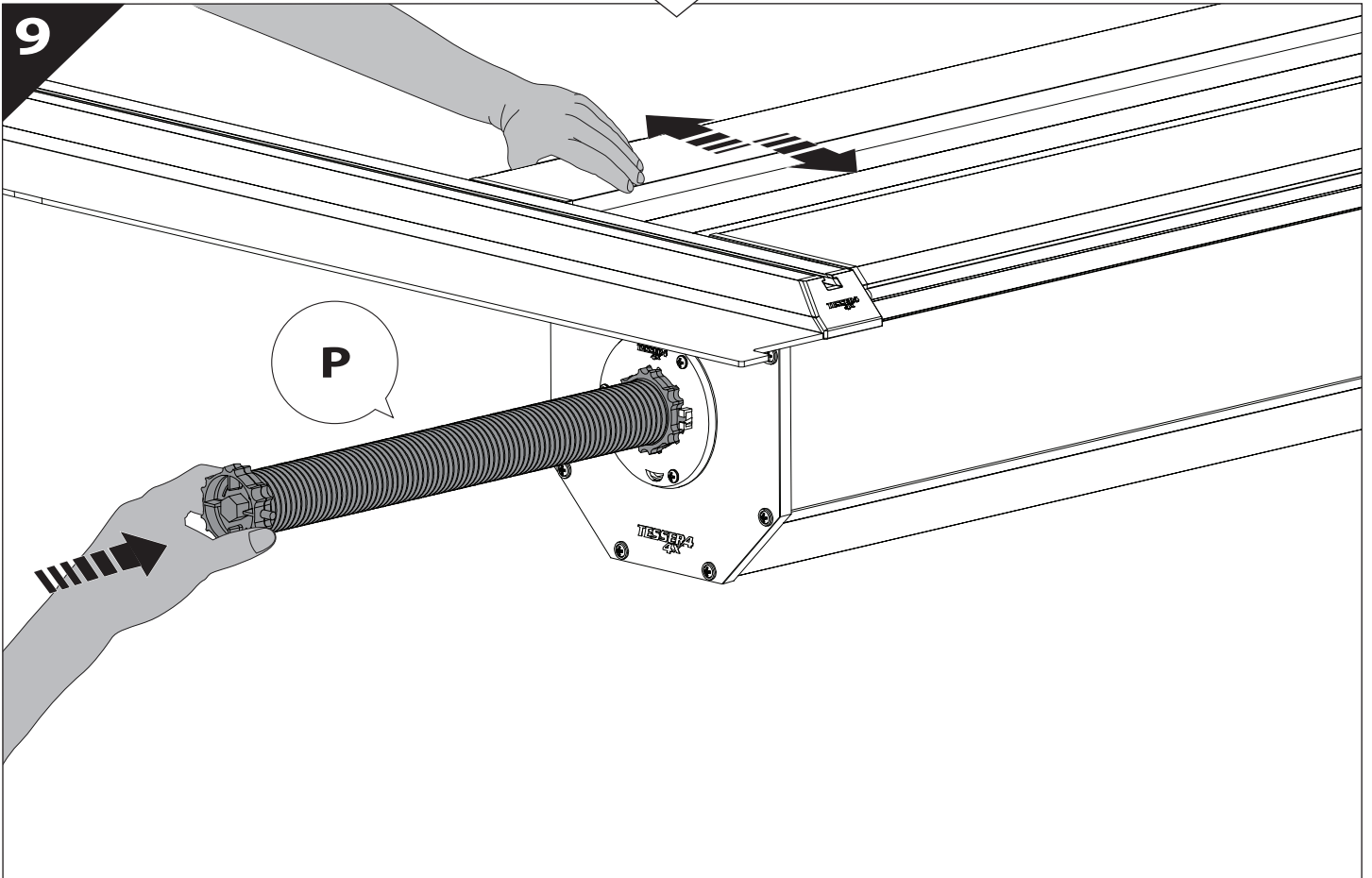
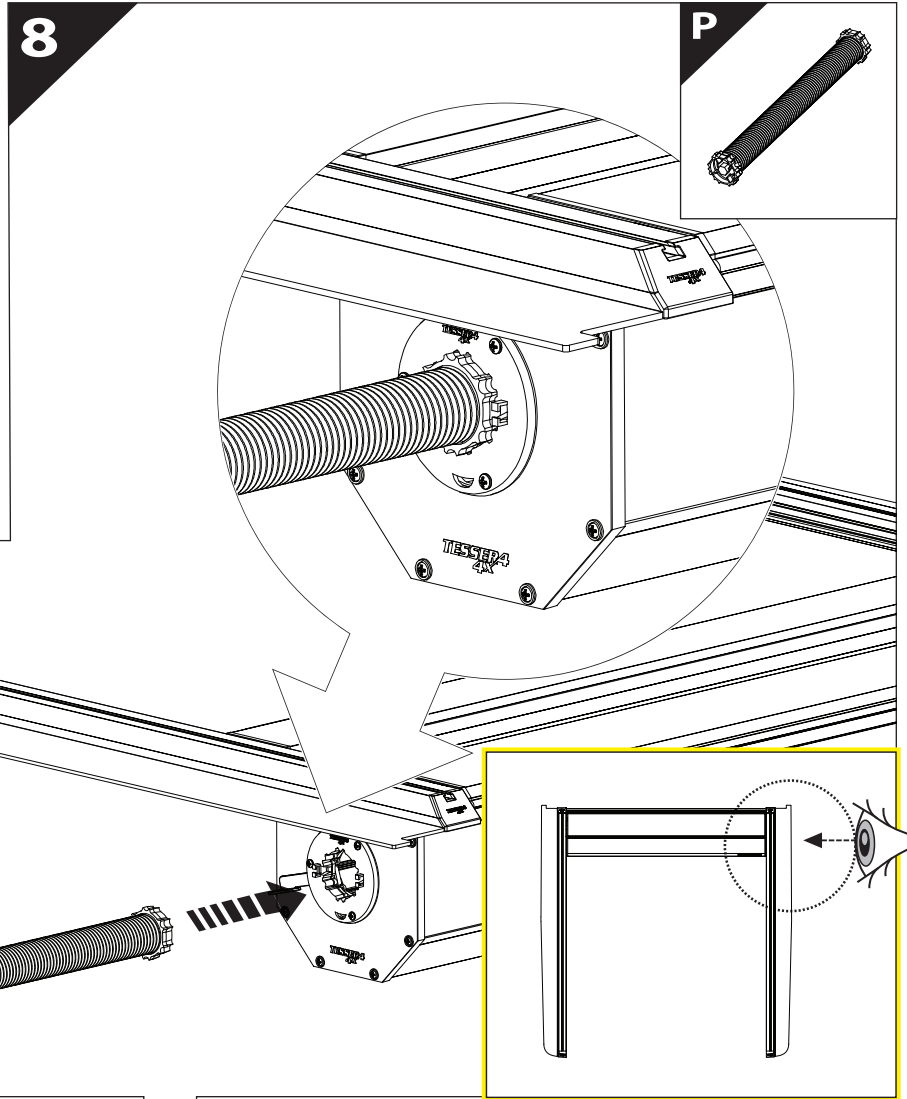
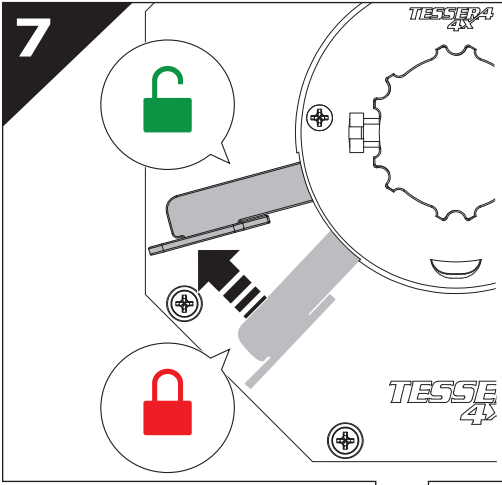
3



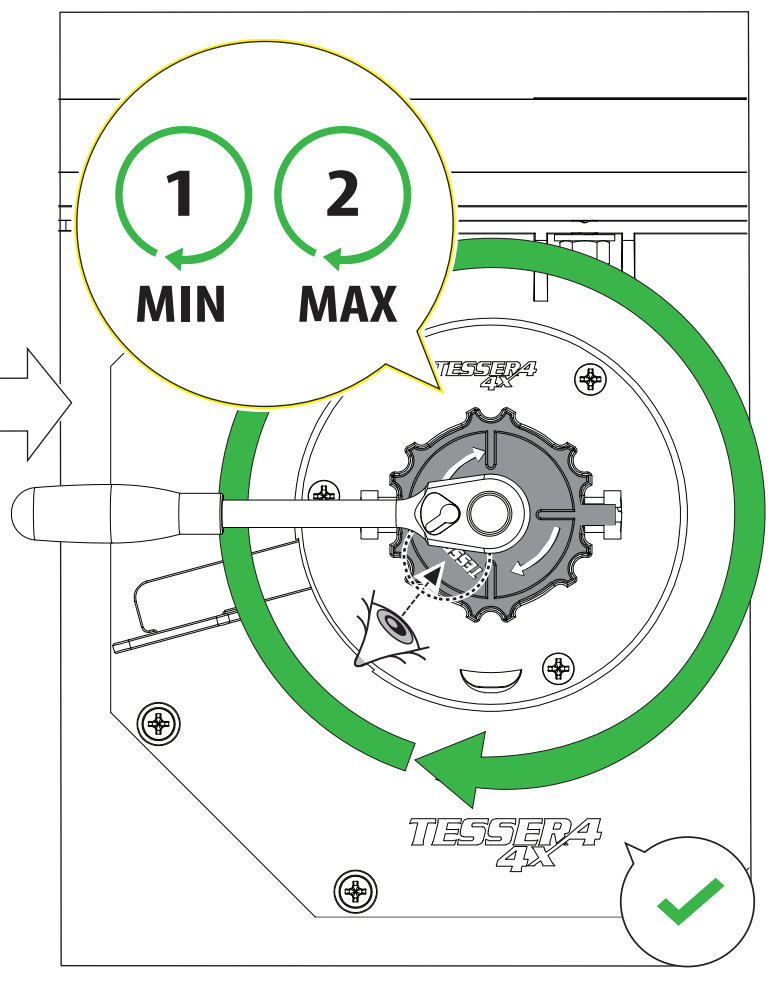
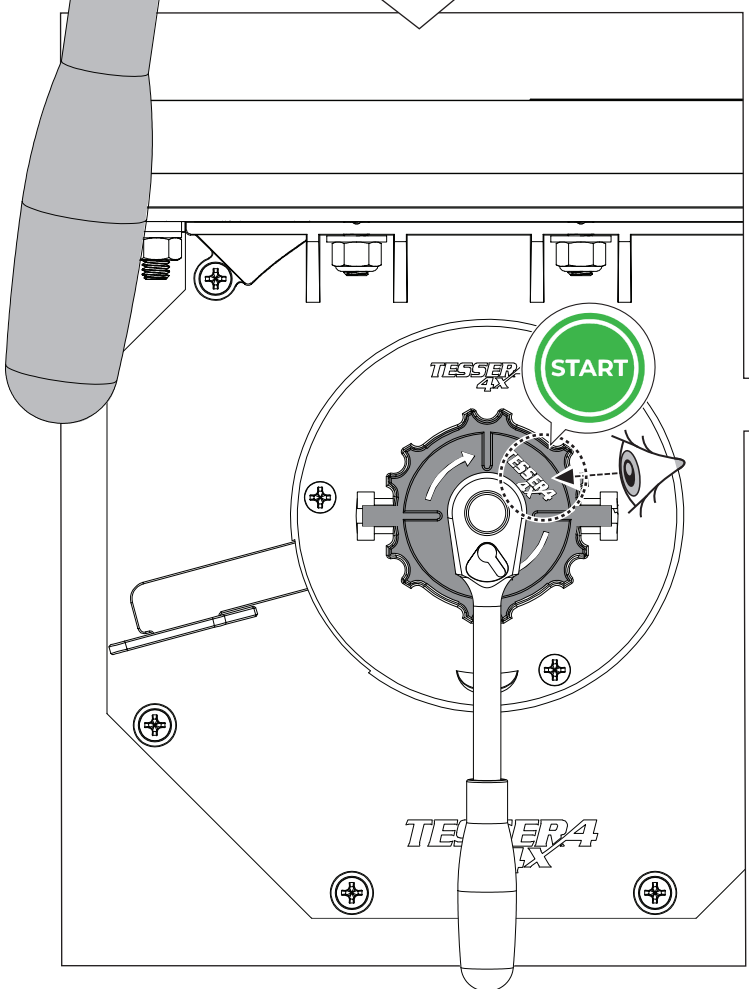
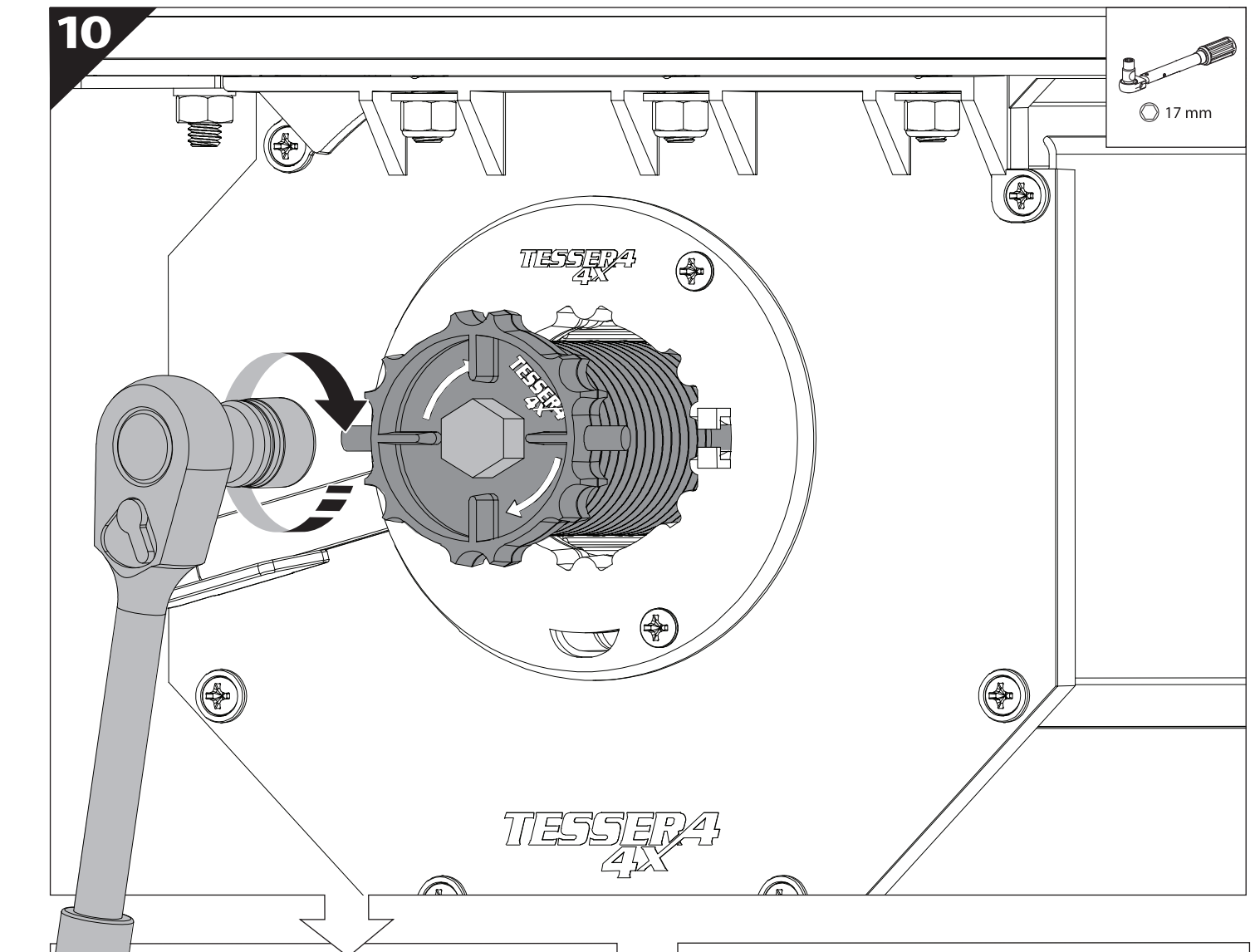
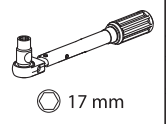
4



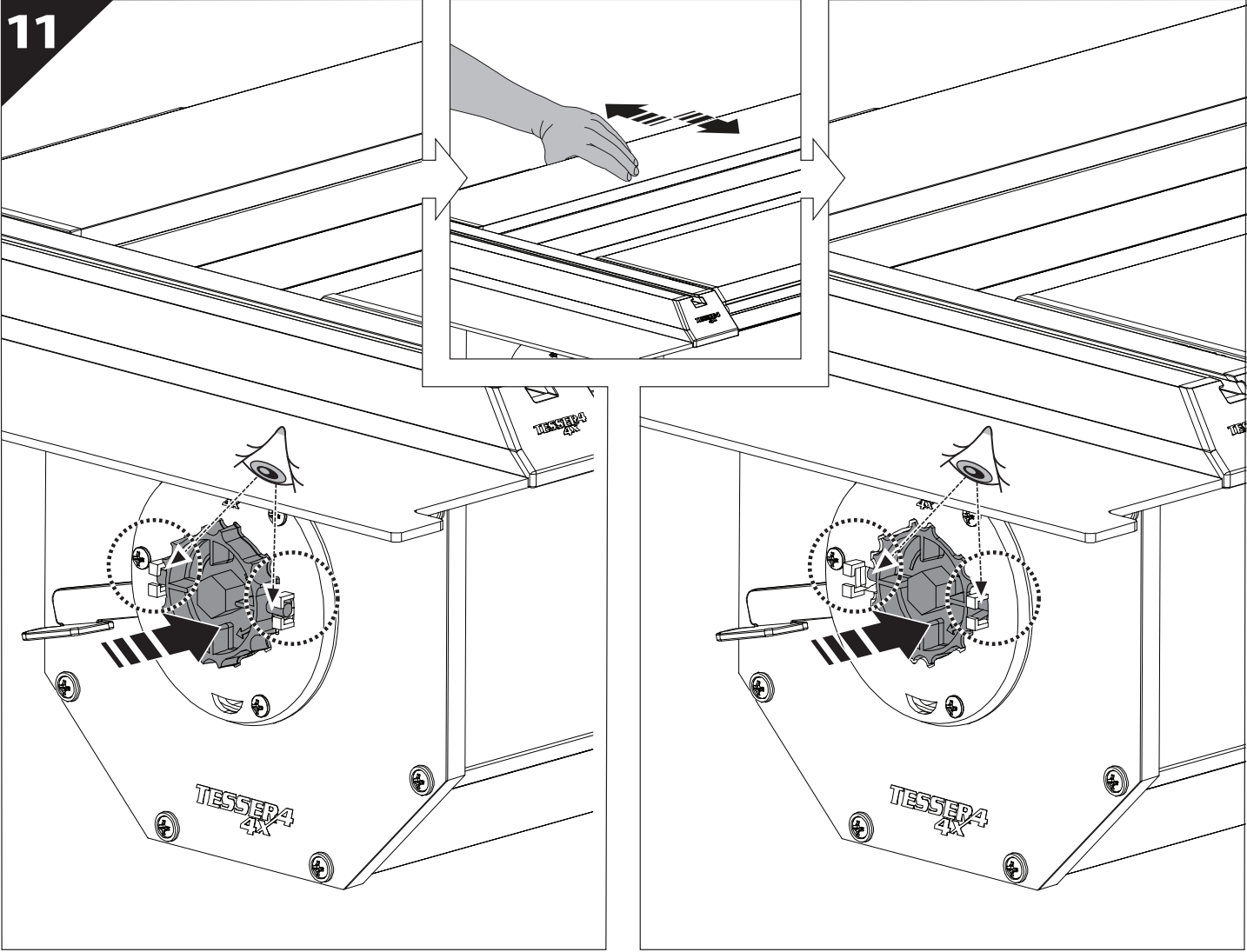




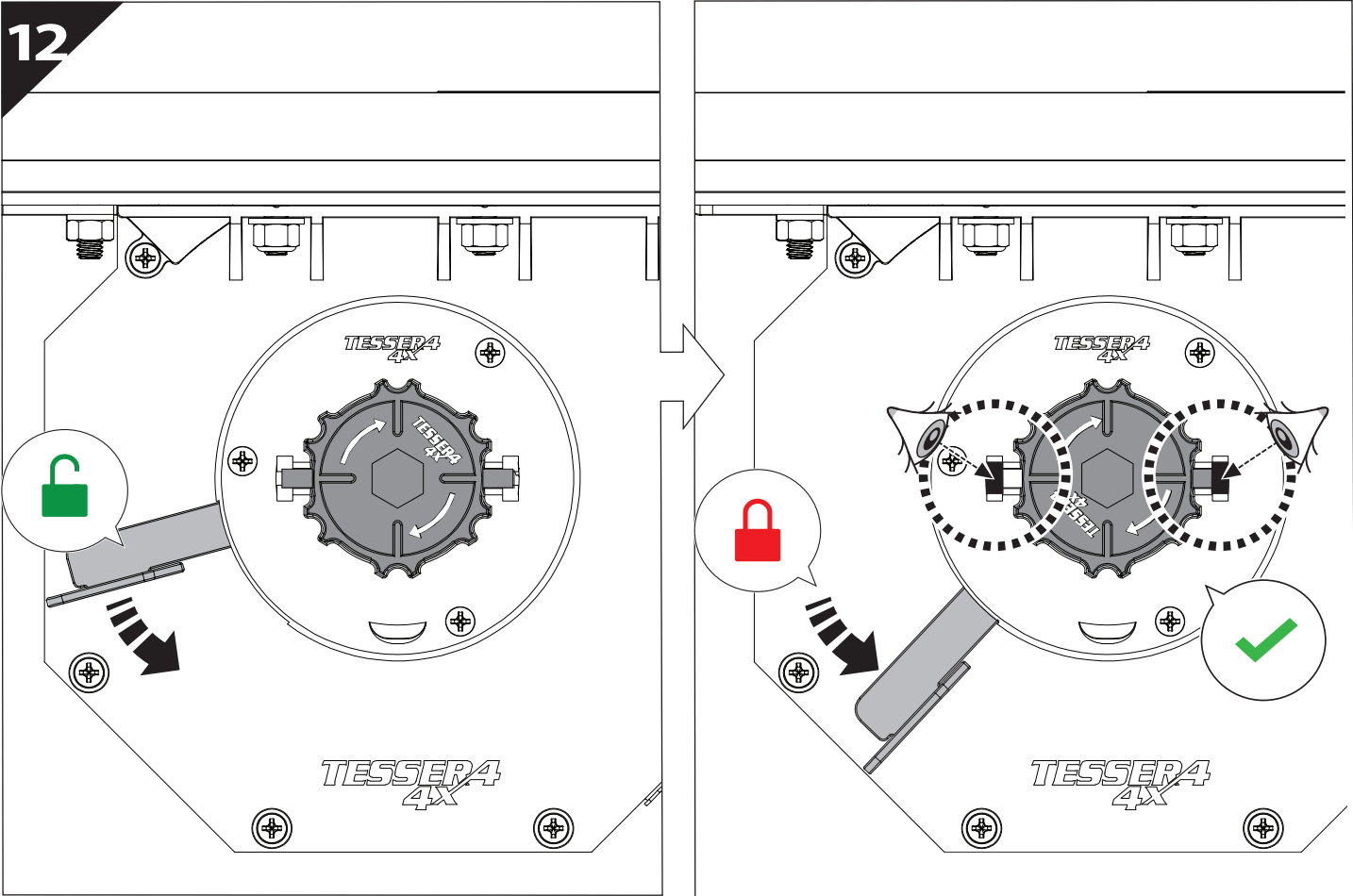
10



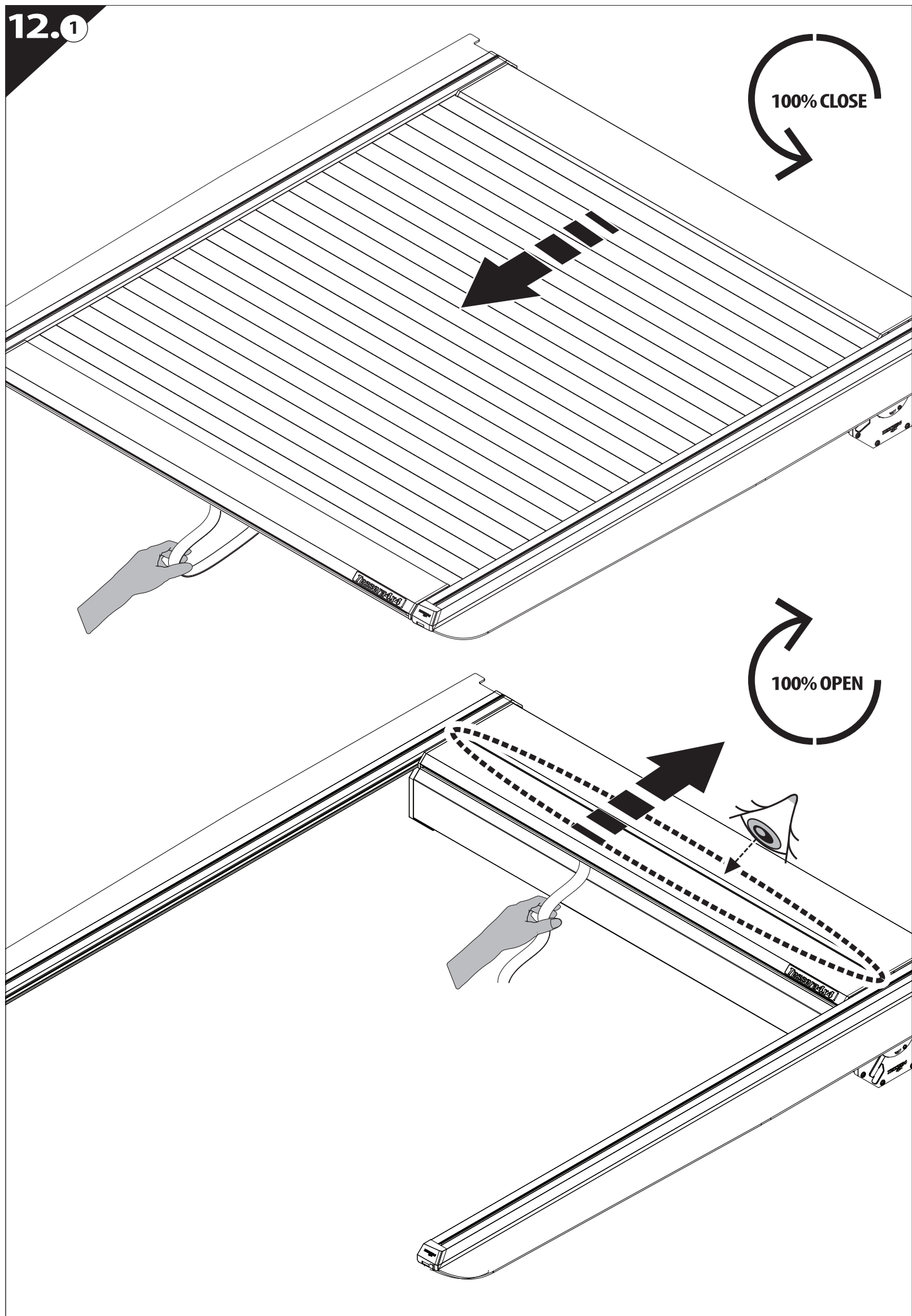
11



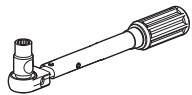
12



12.0

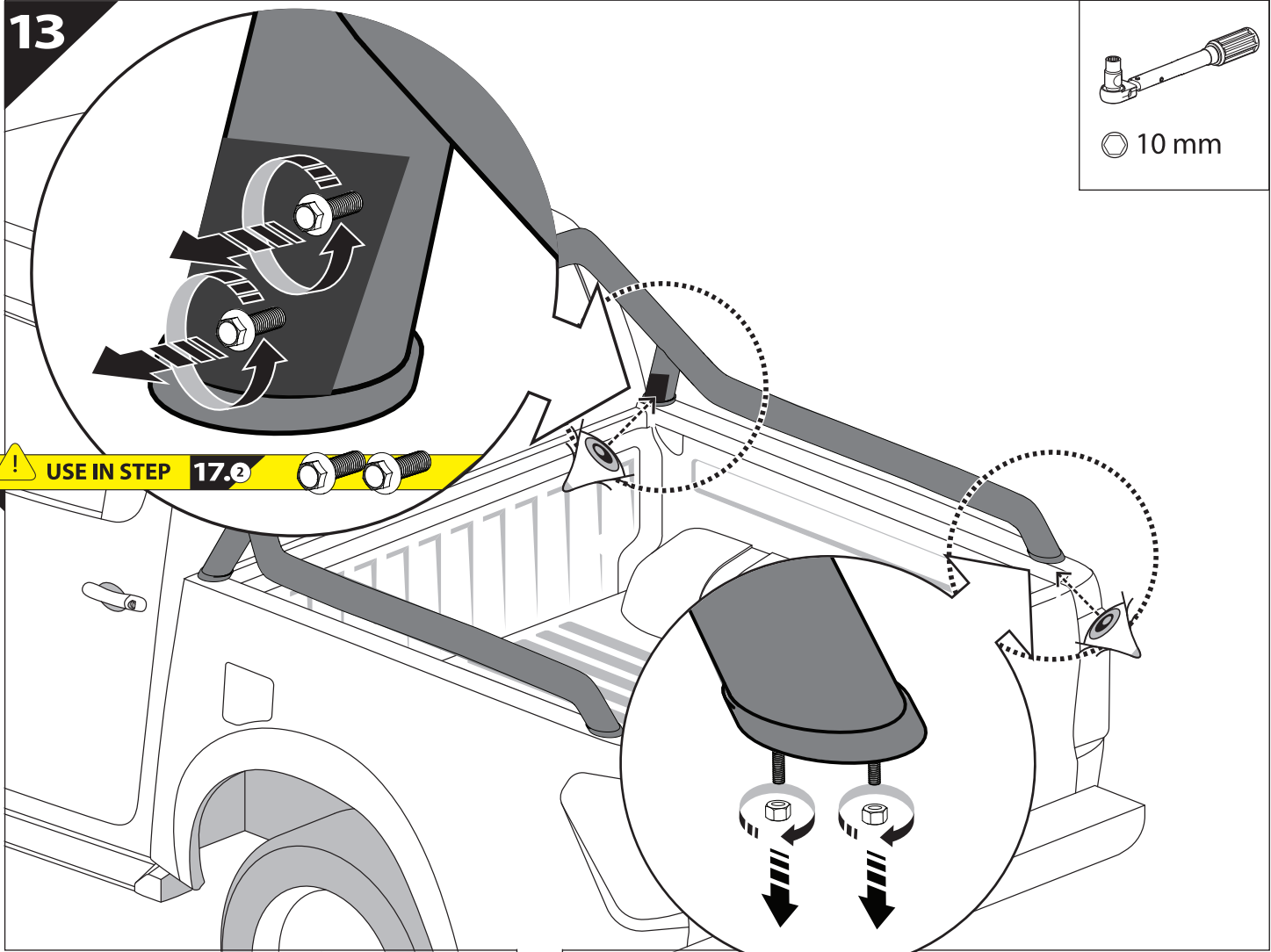


13



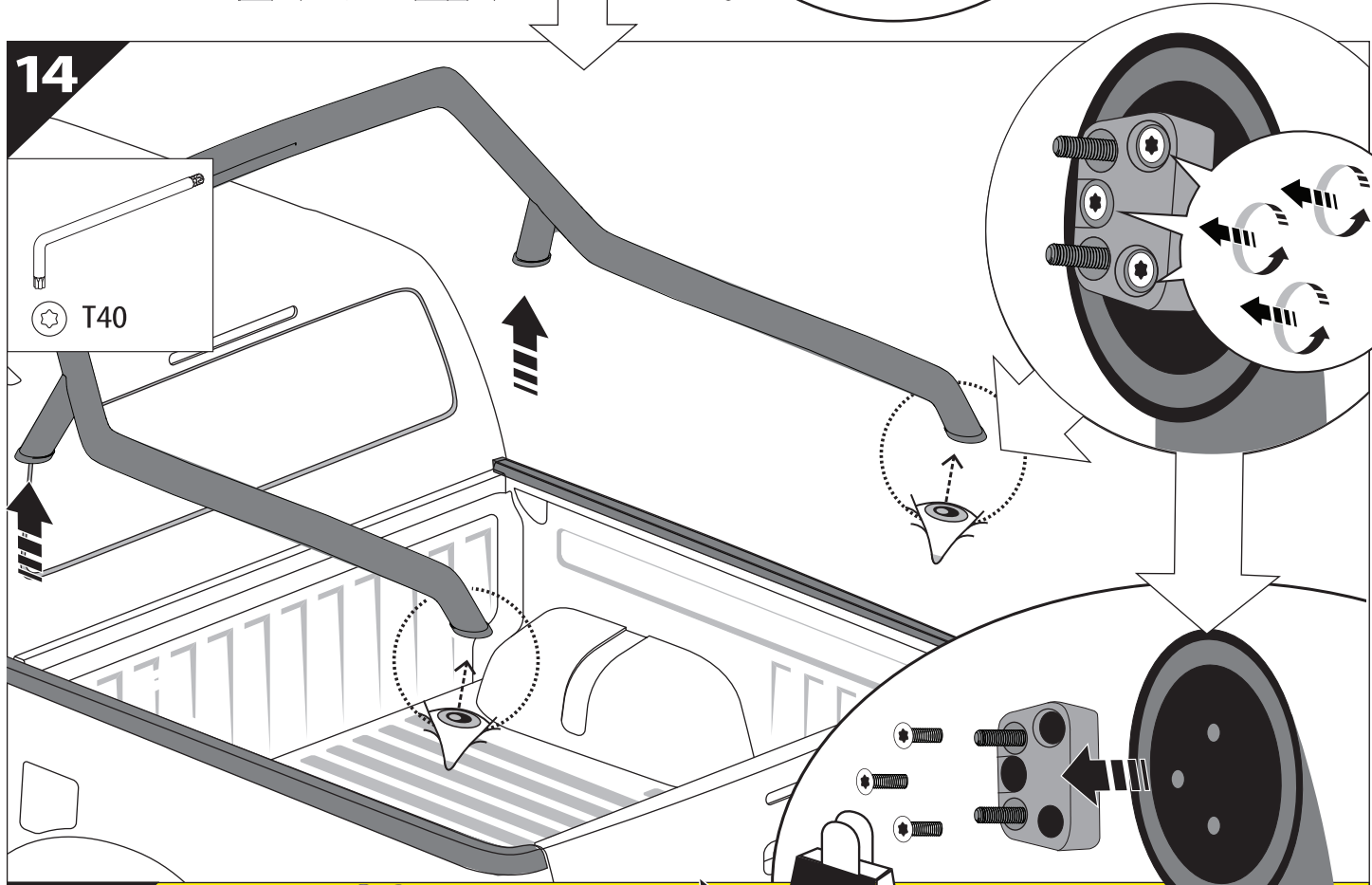
10 mm

! USE IN STEP 17.2



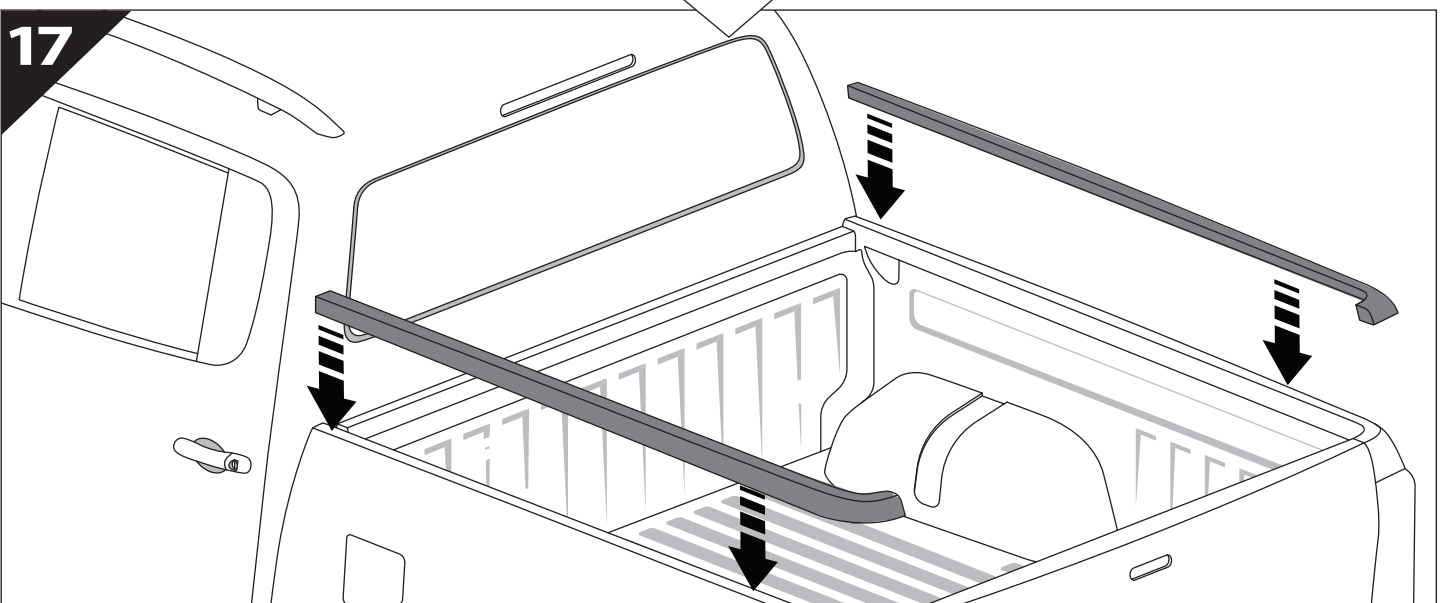
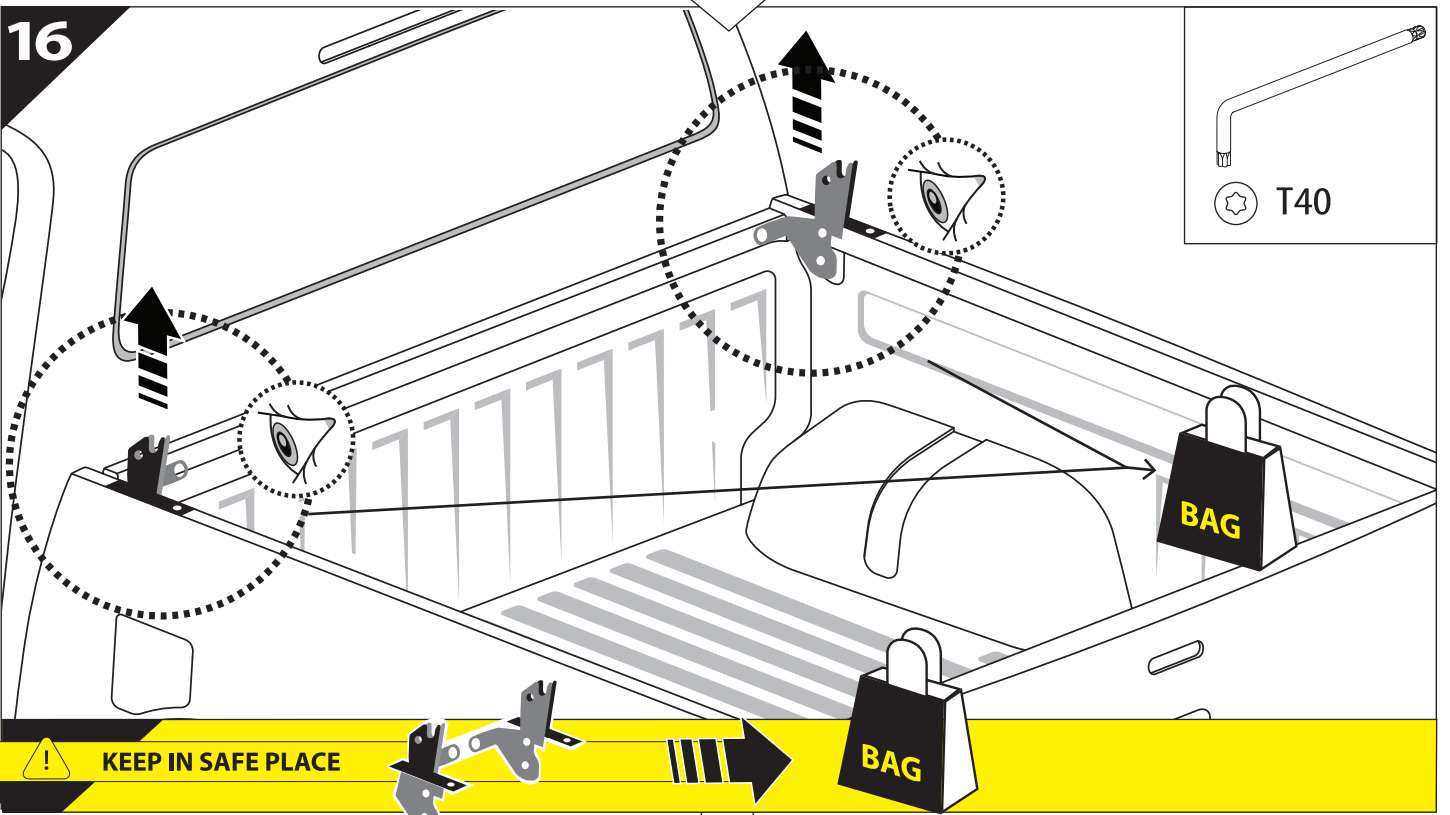
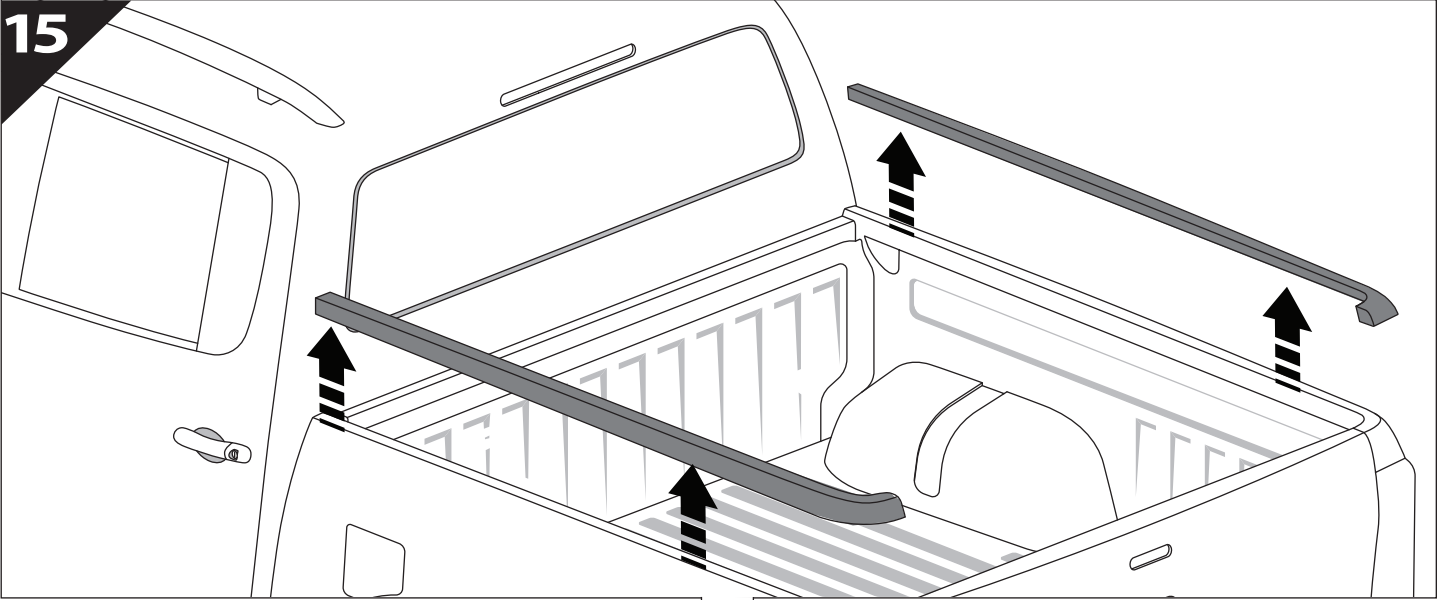
14

T40

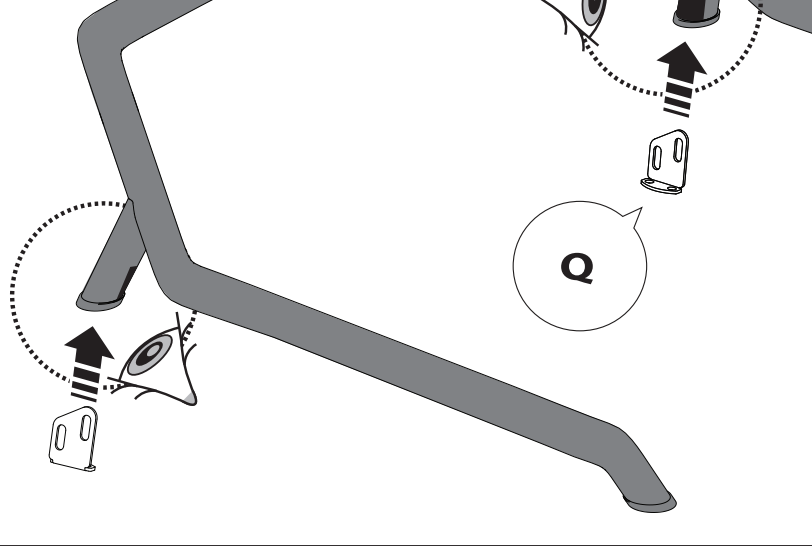
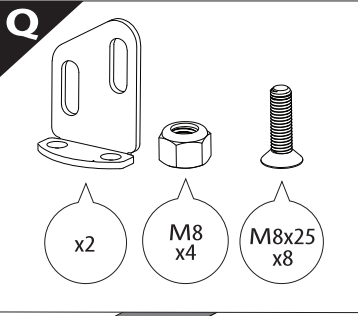


! KEEP IN SAFE PLACE

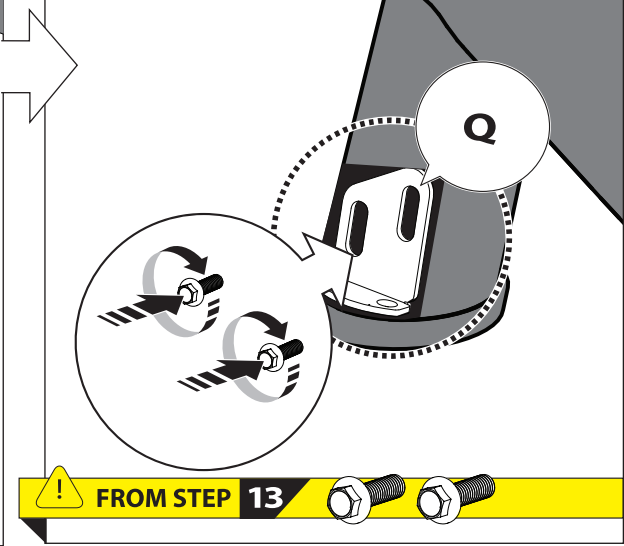
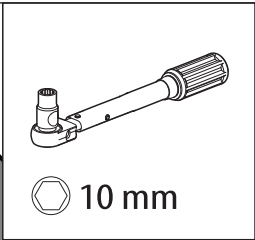


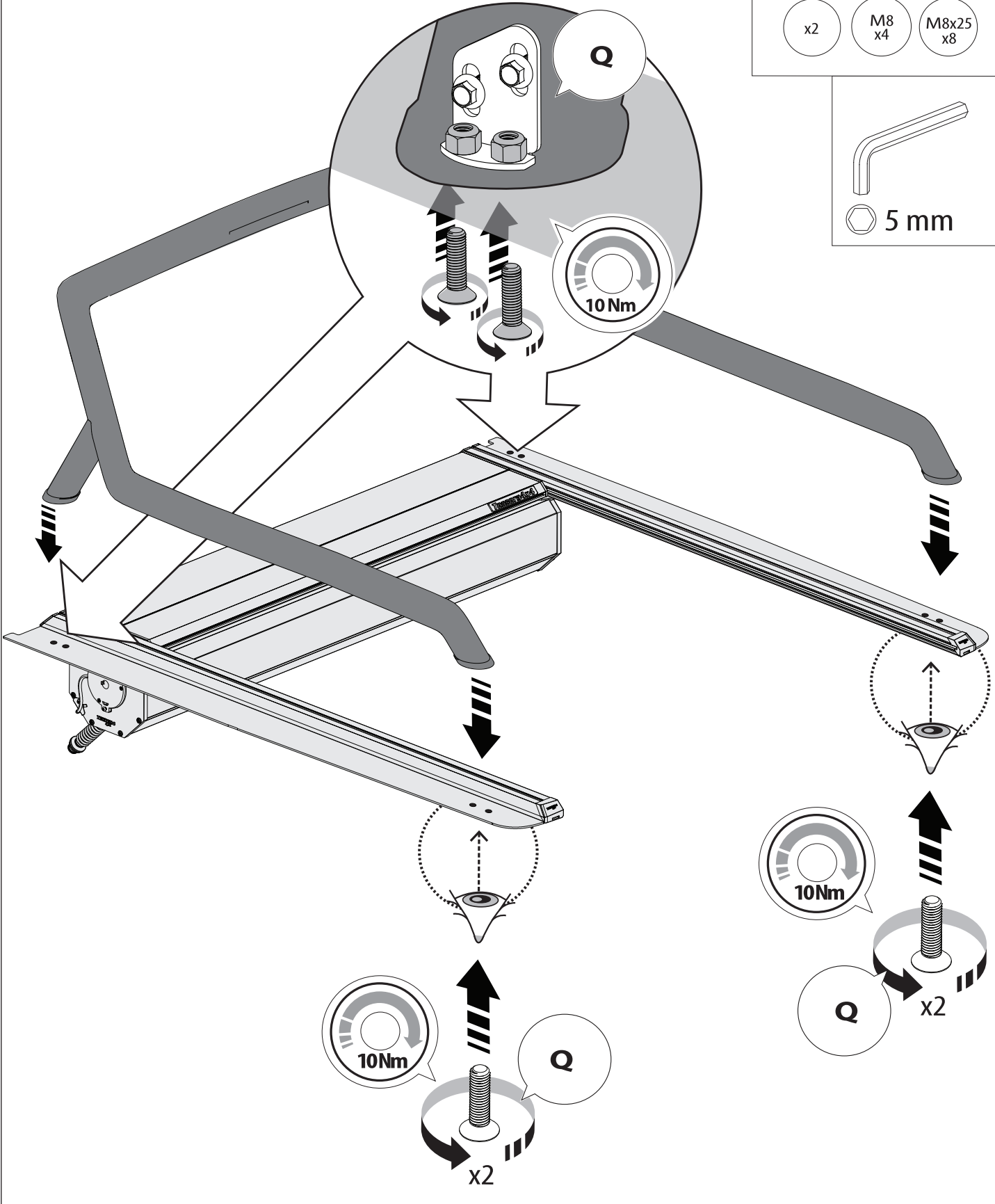
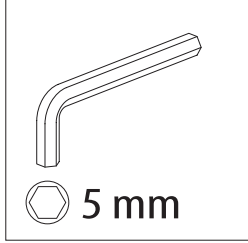
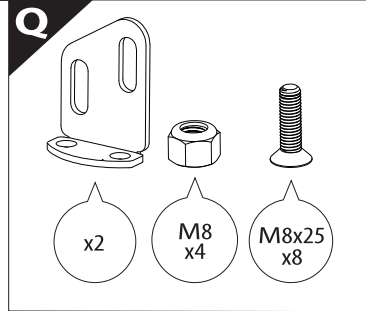


17.0

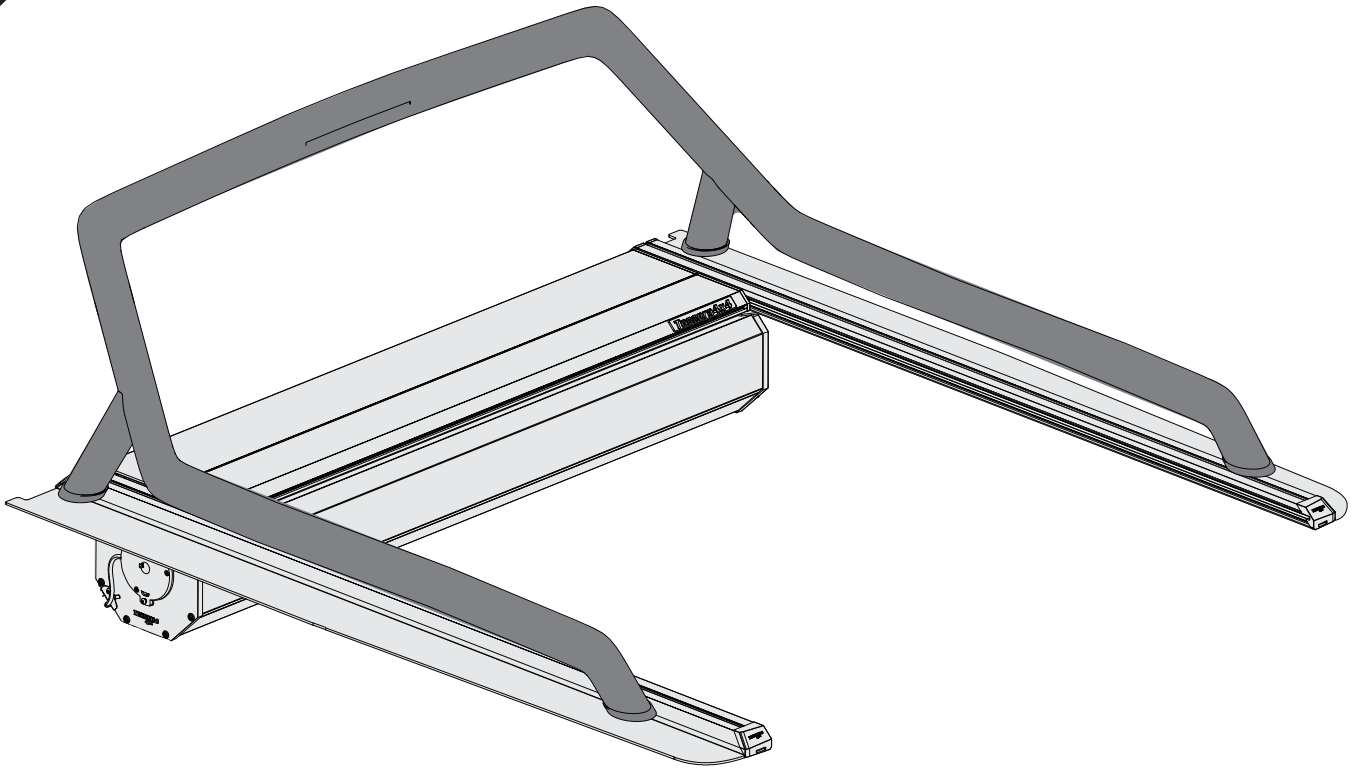


17.2

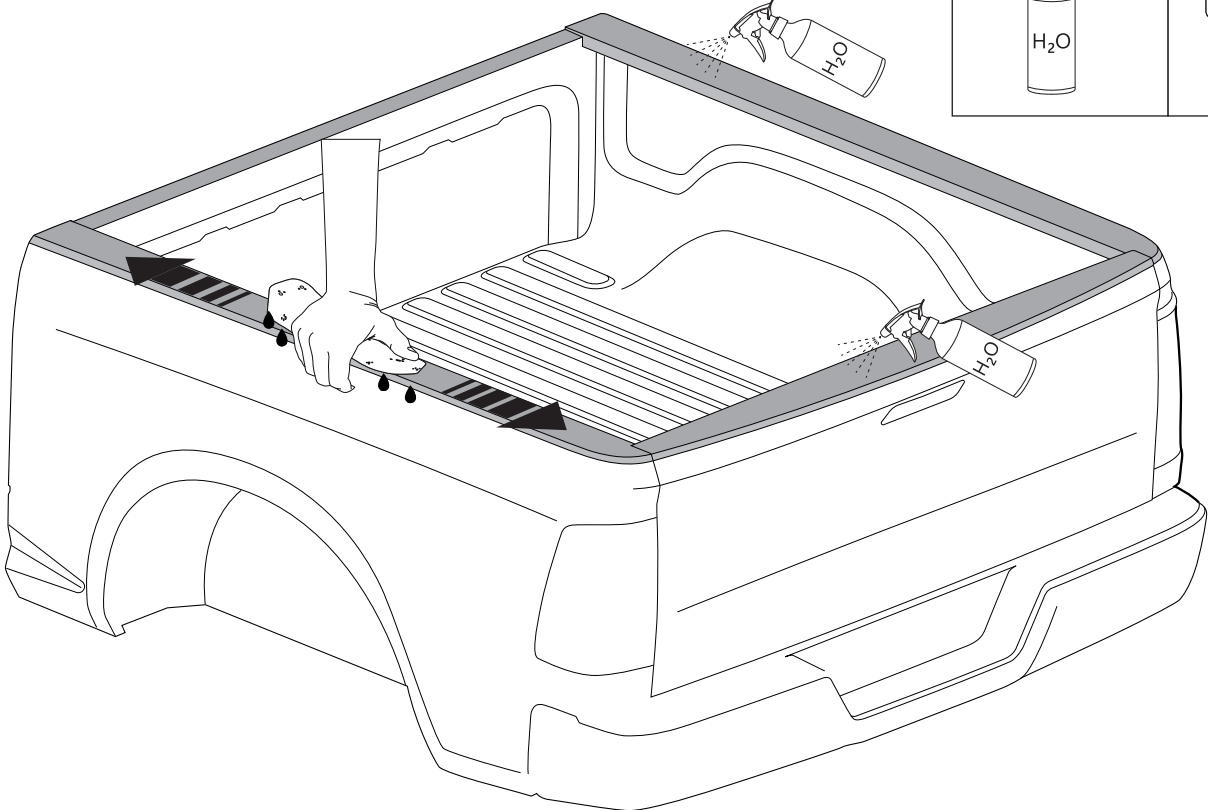


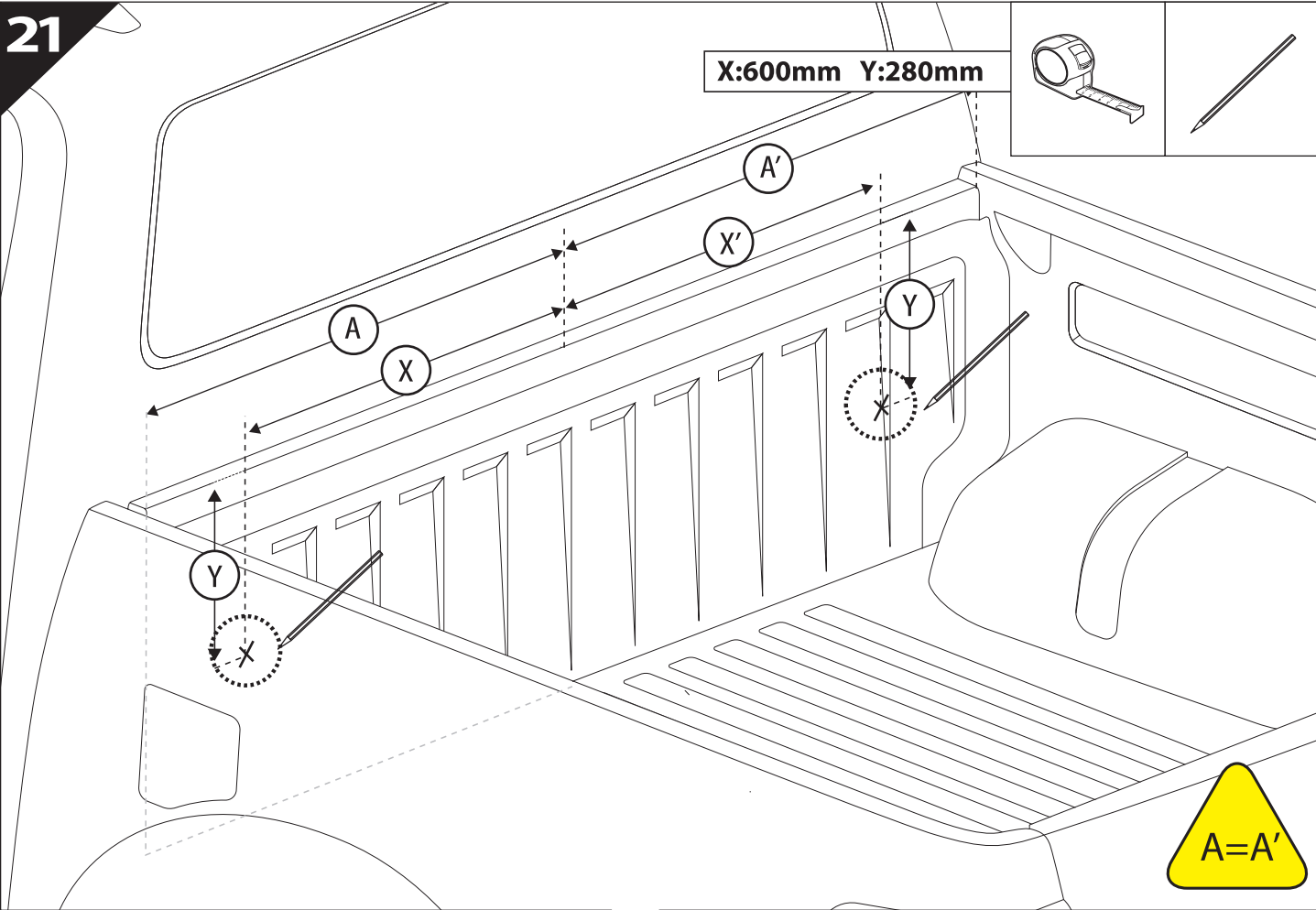


19



20





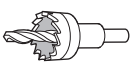
23

CAUTION

CAUTION

max: 2 mm

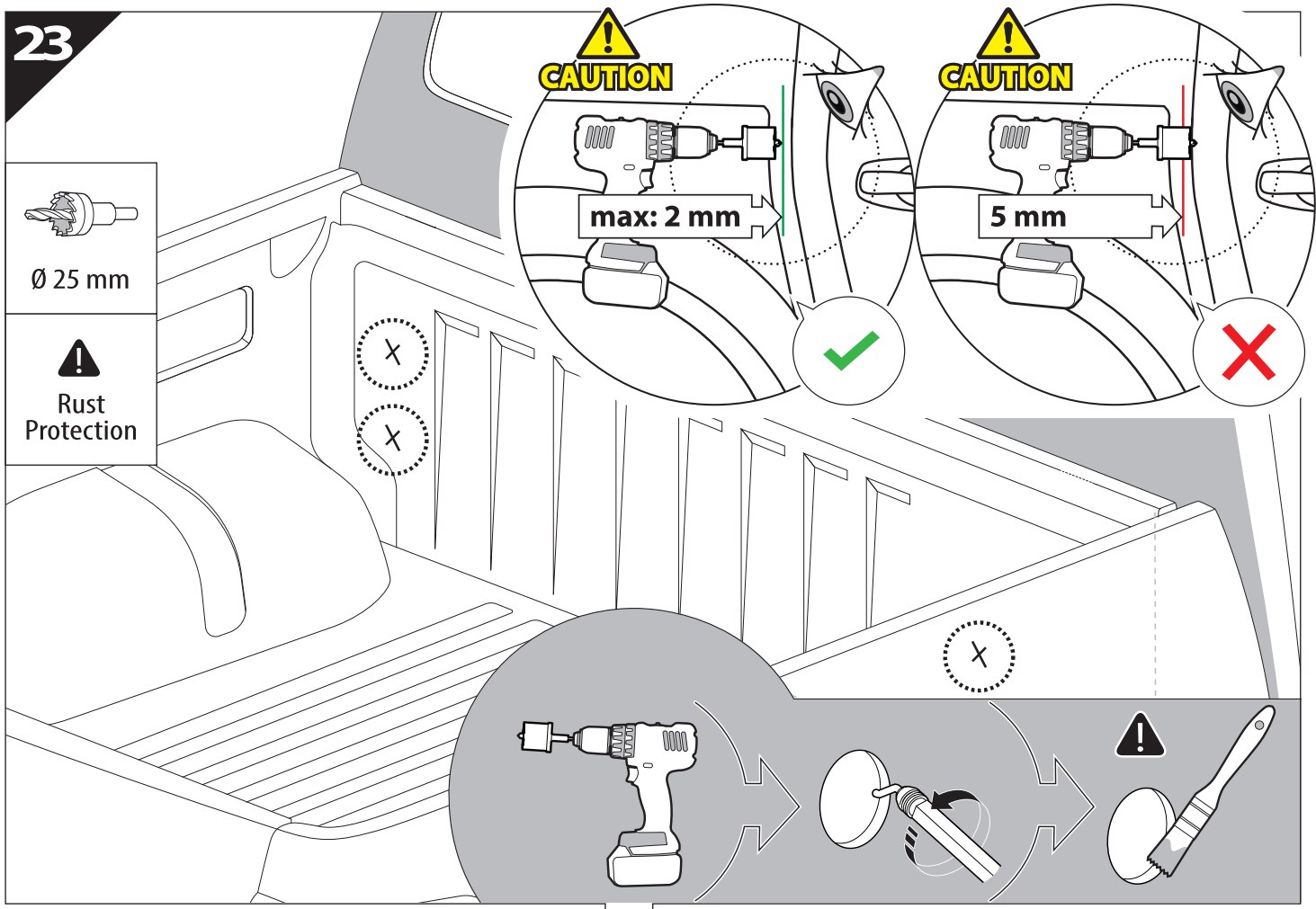
5 mm



Ø 25 mm

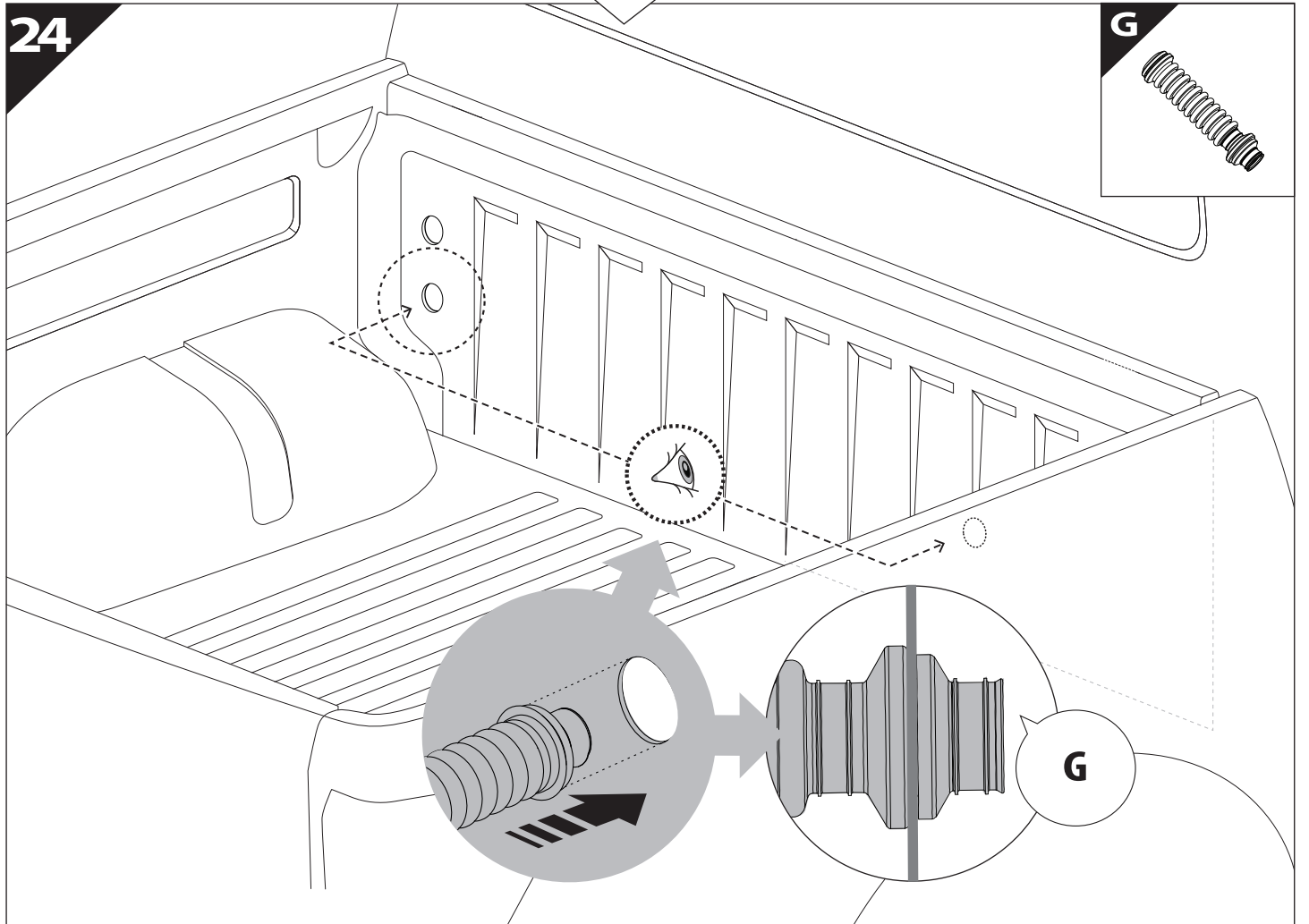


Rust Protection

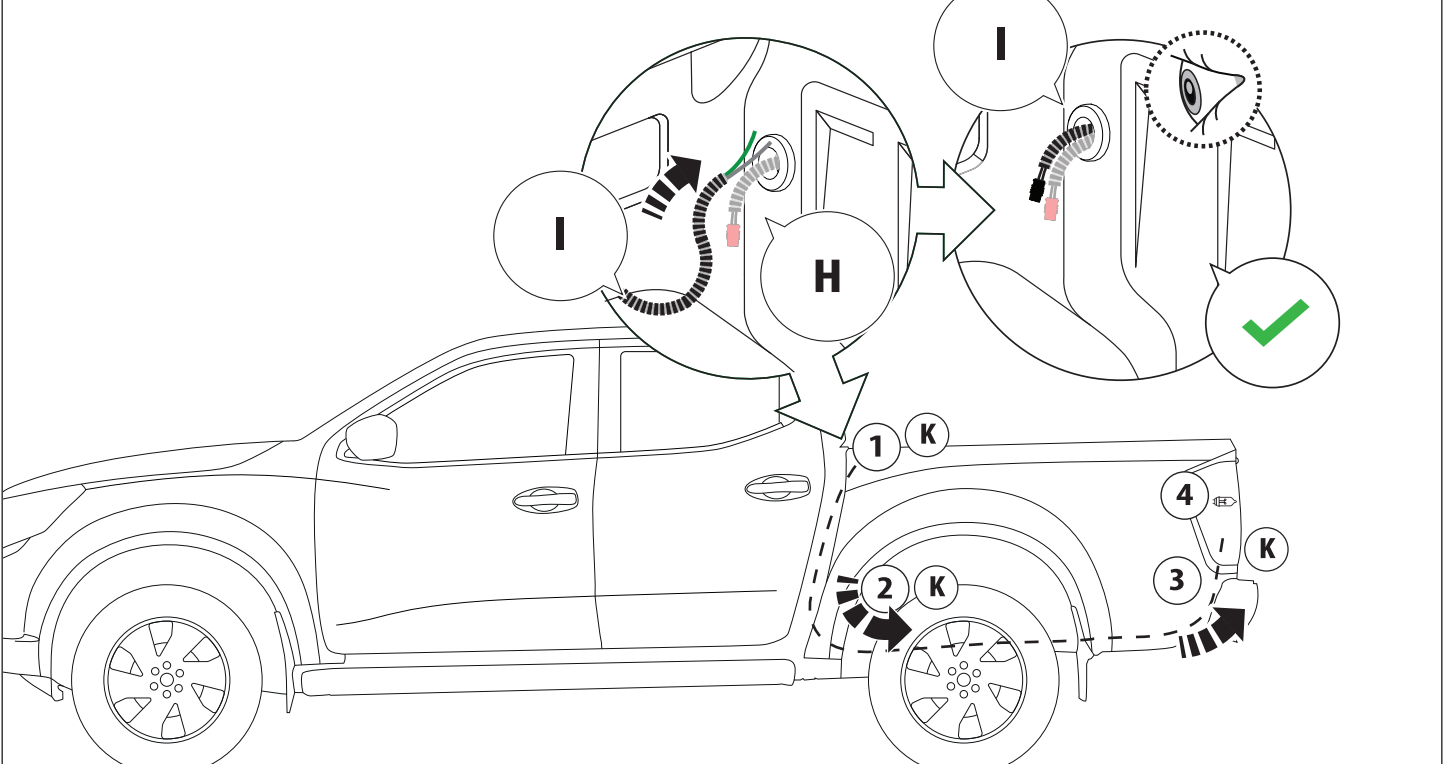
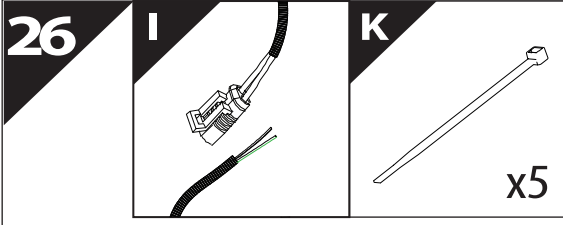
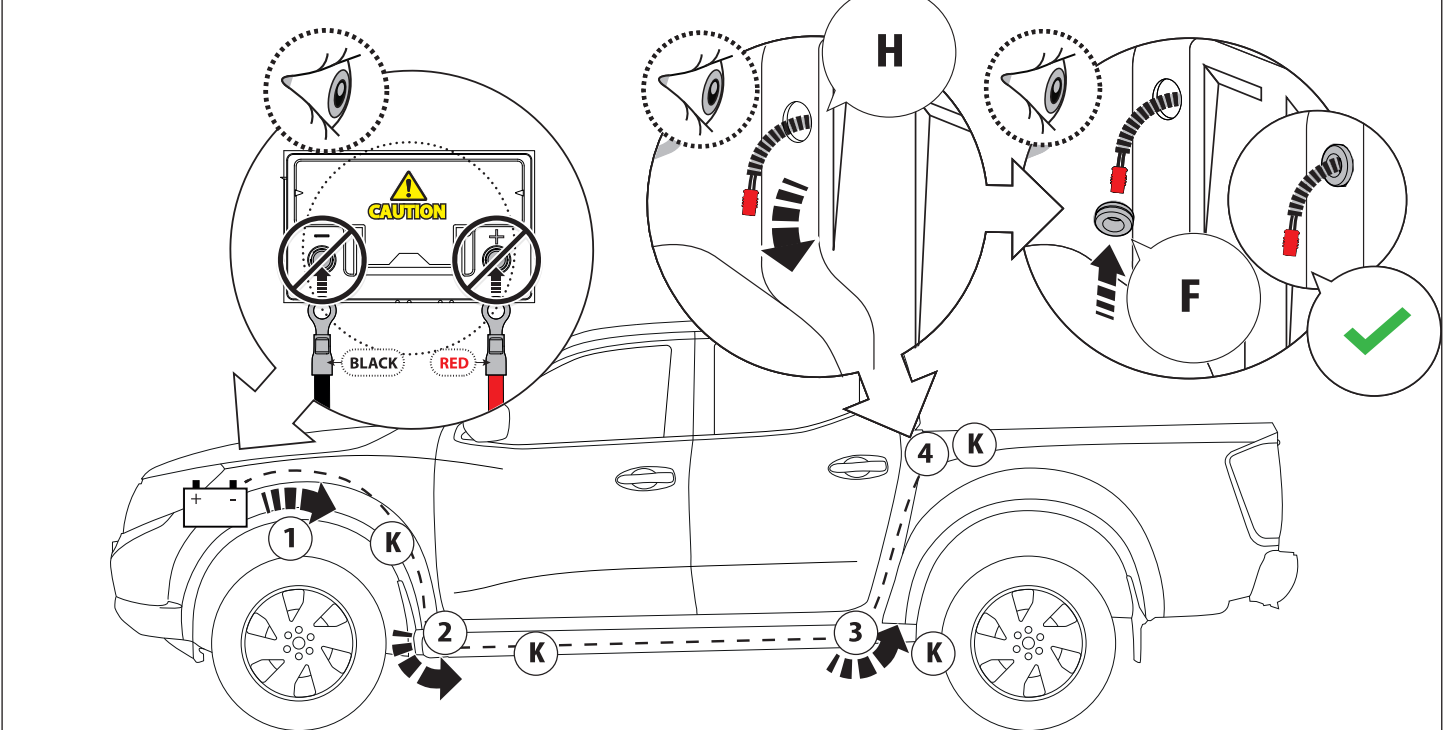
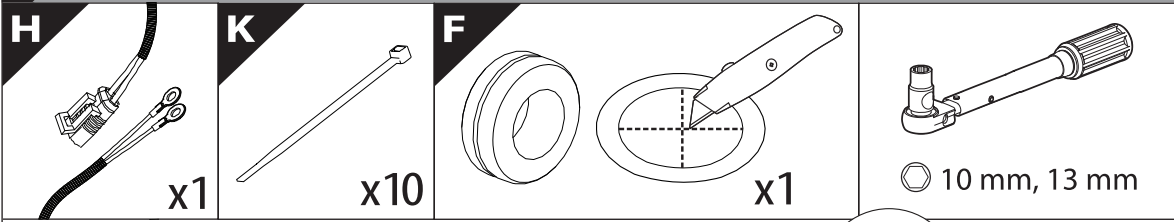


24

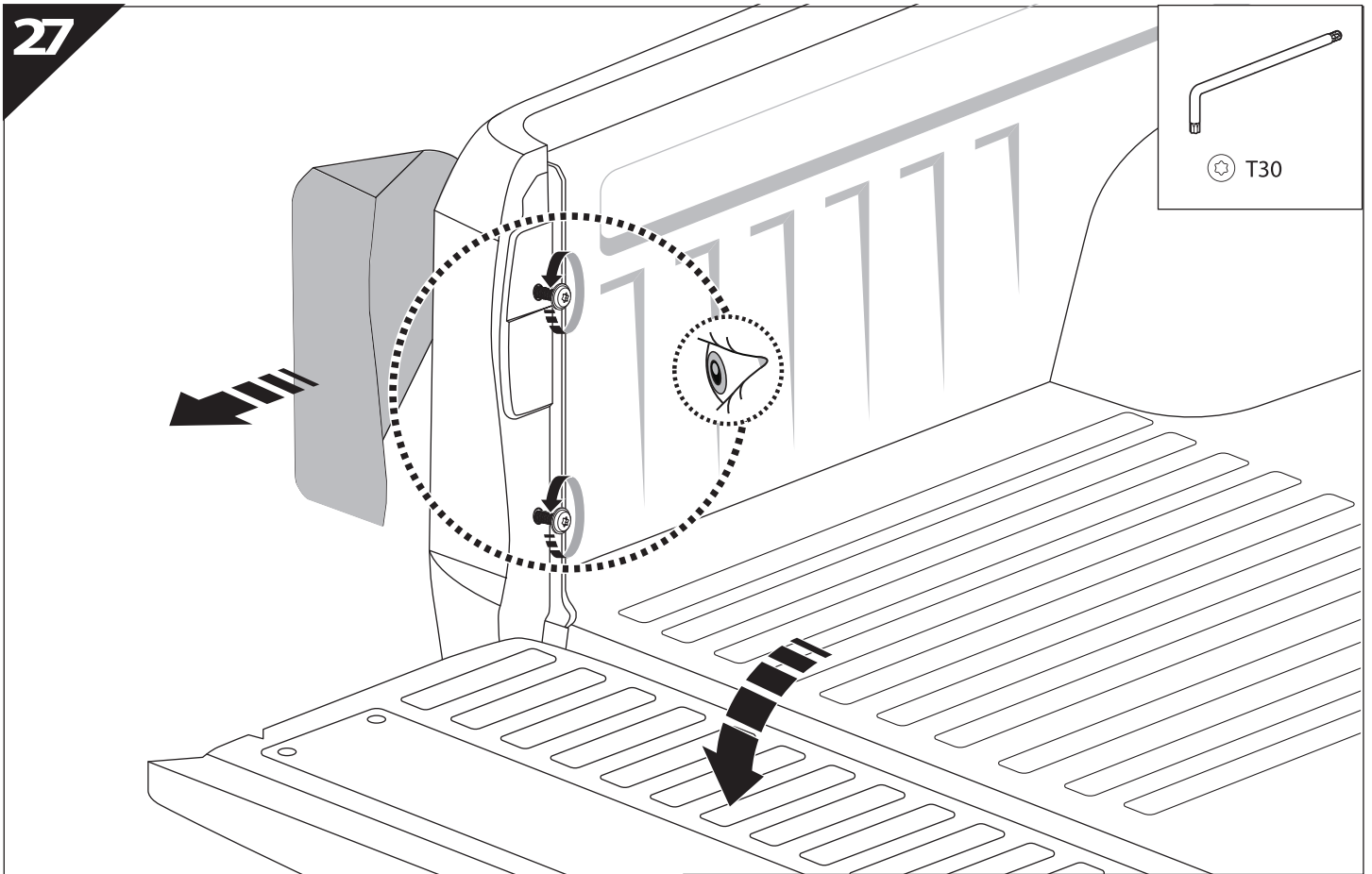
G



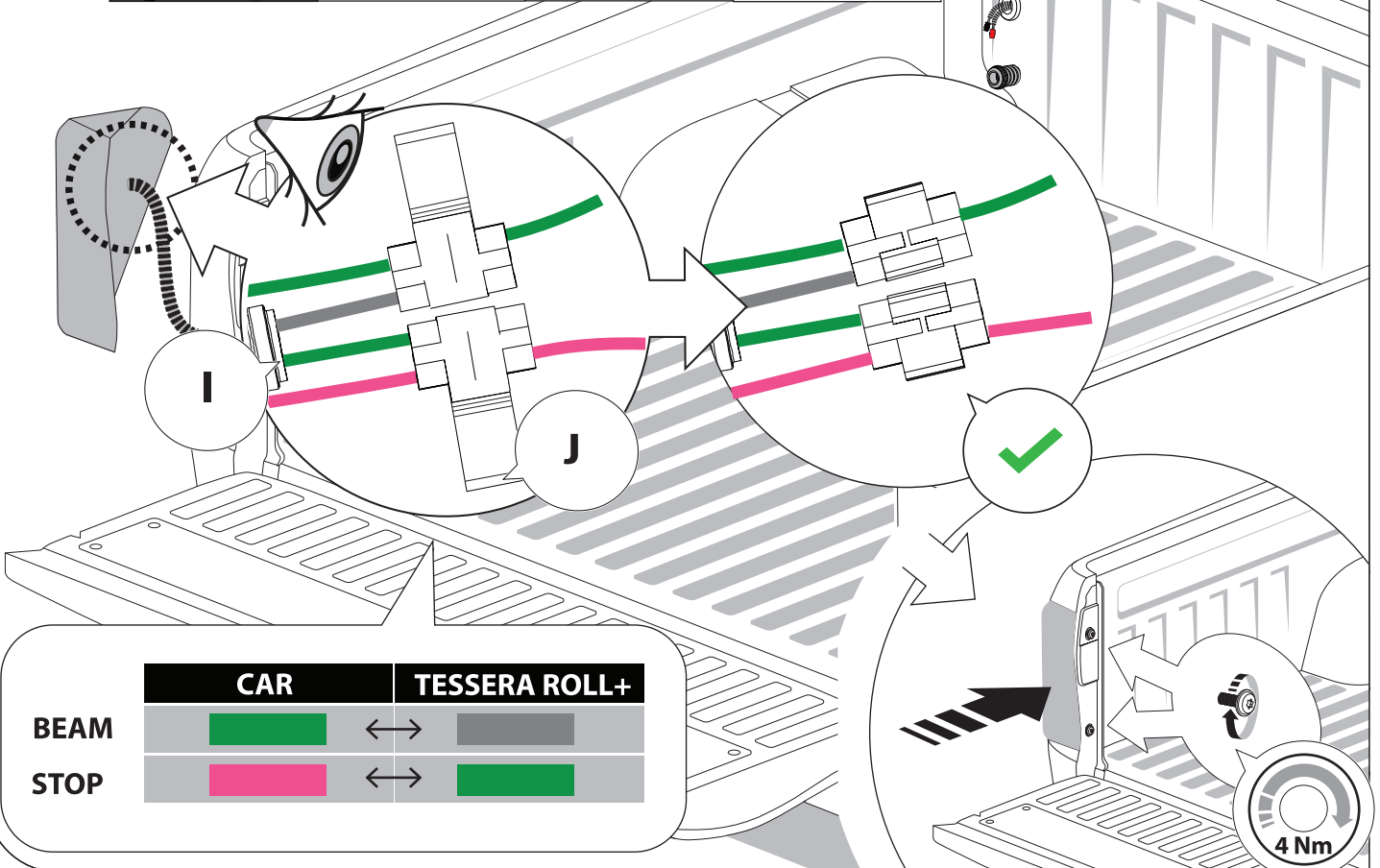
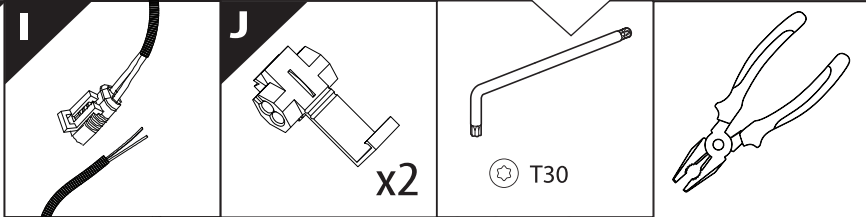
Only to be installed by authorized personnel




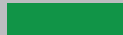


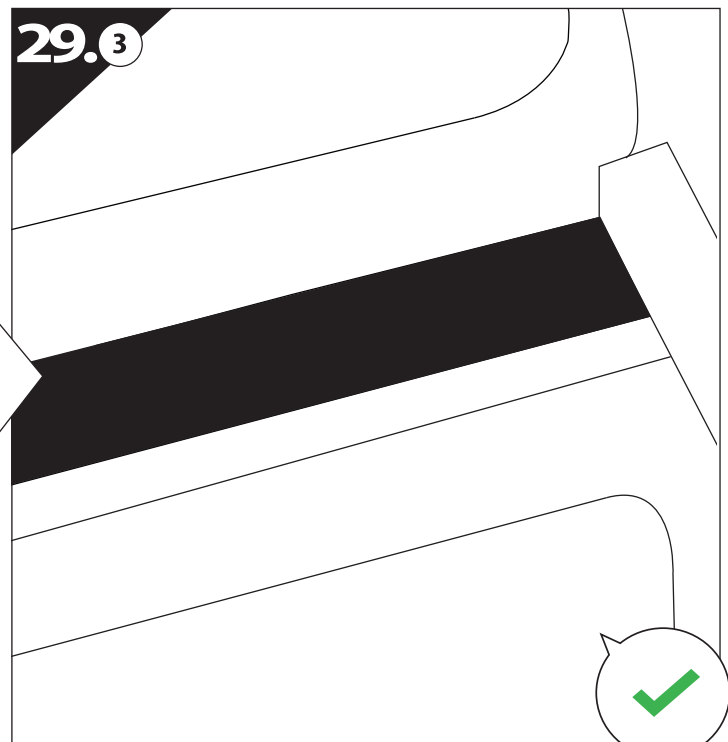
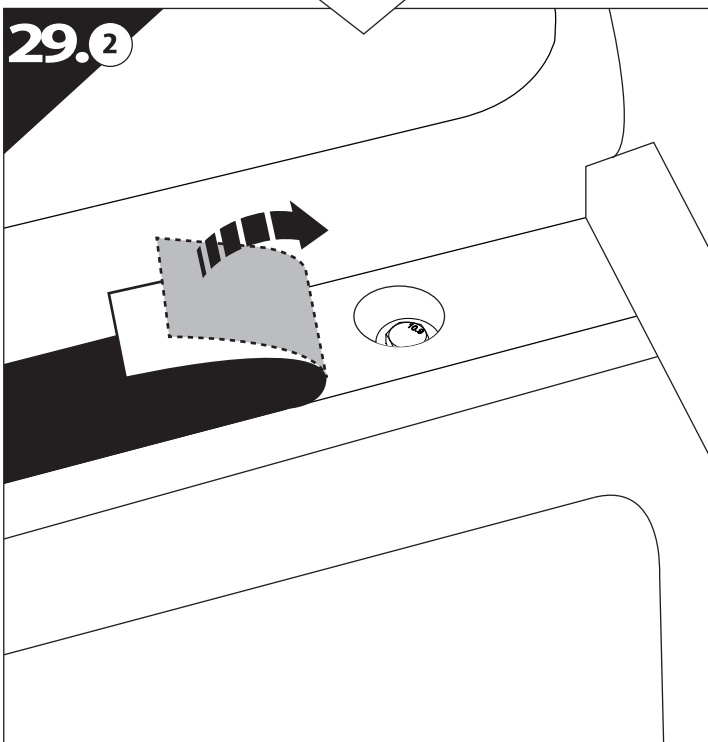
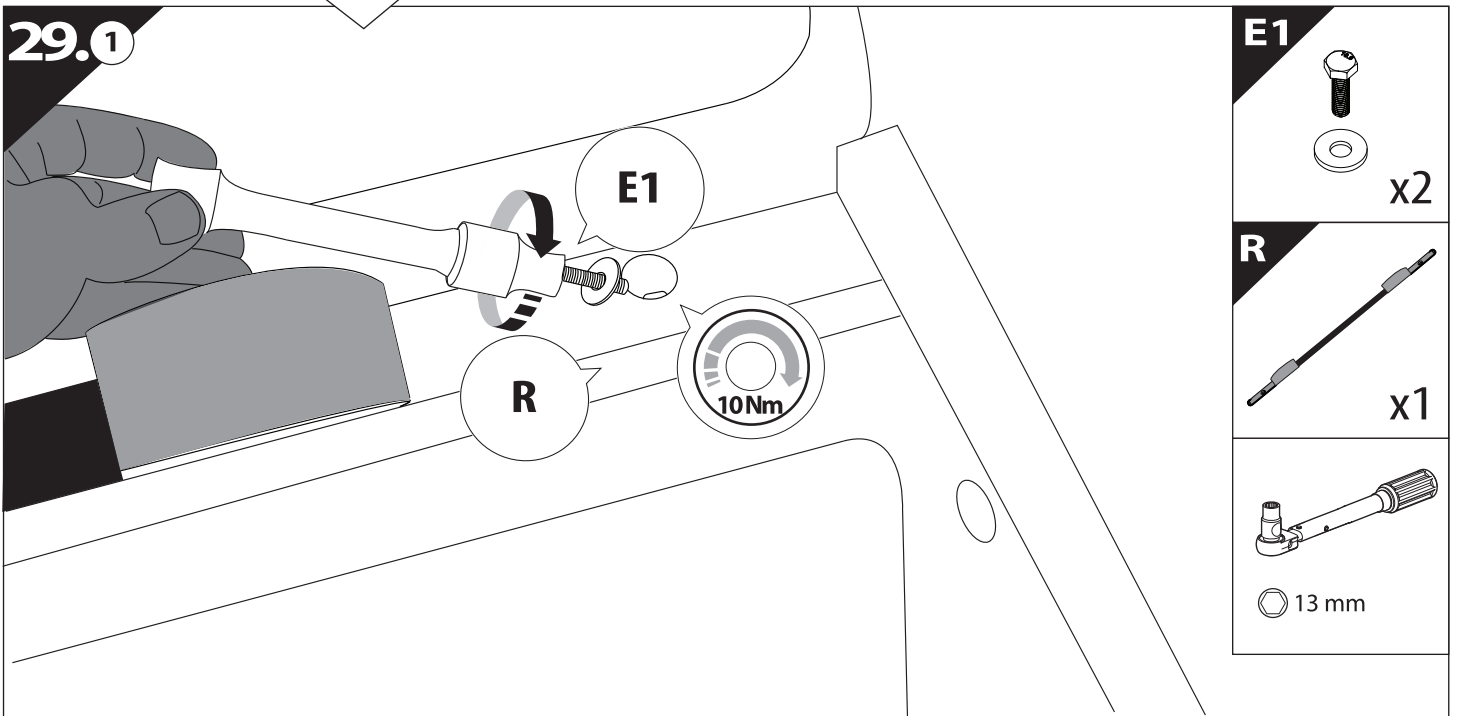
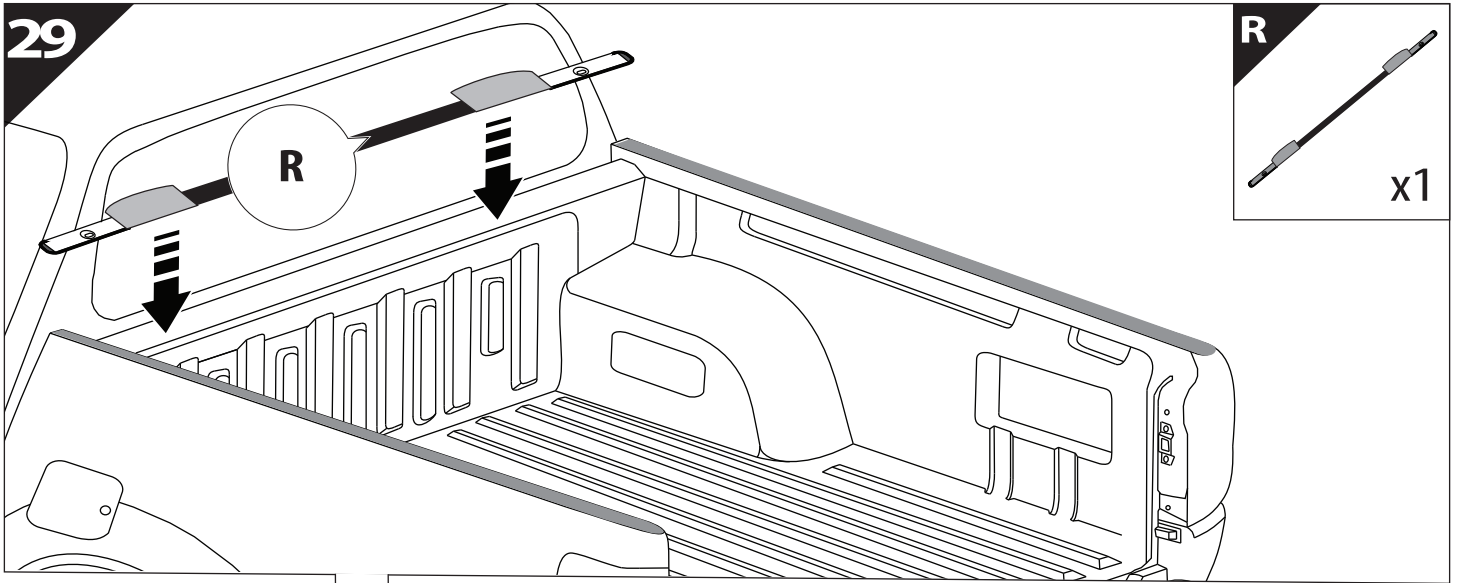
27



28

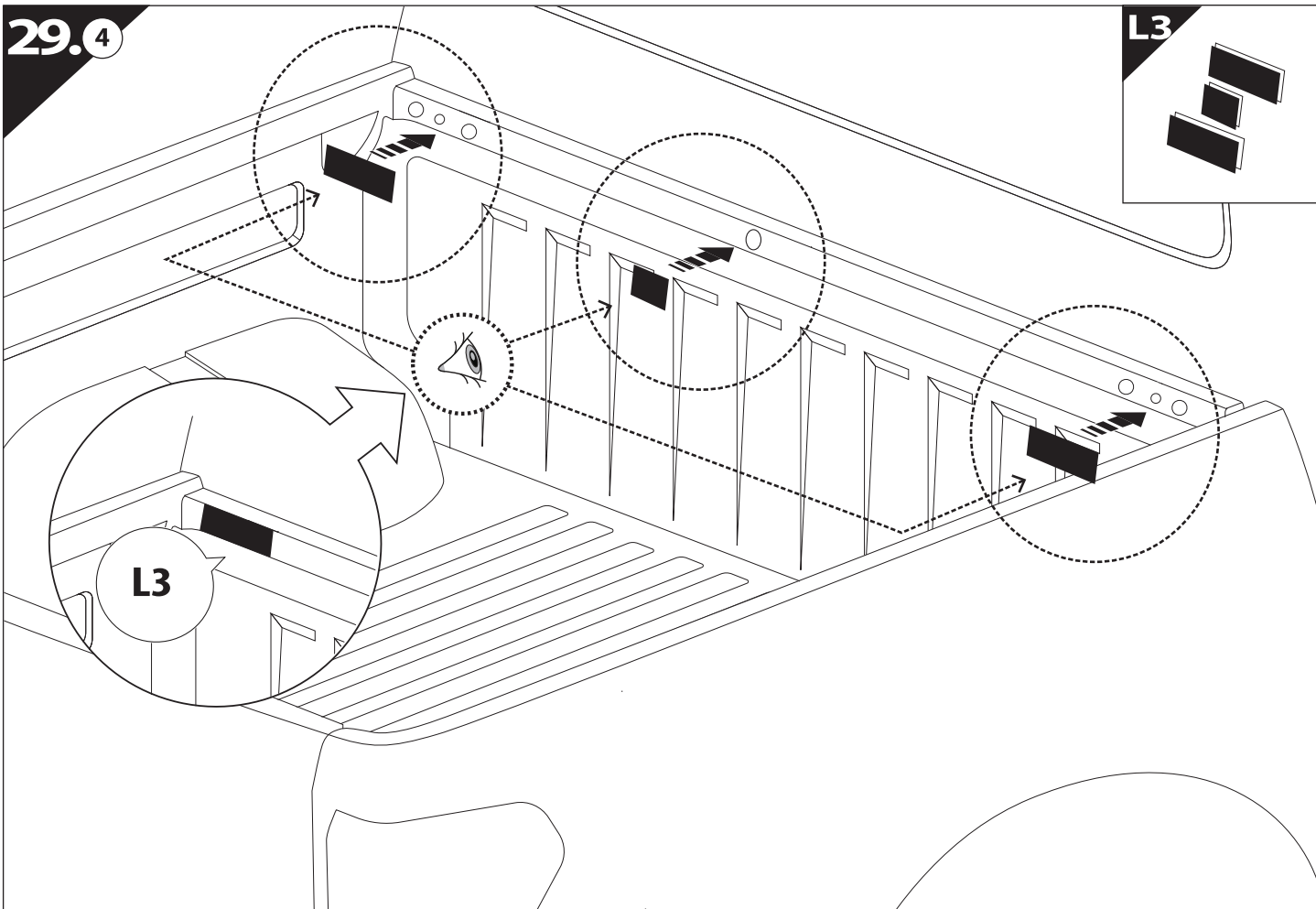


	CAR		TESSERA ROLL+
BEAM		↔	
STOP		↔	



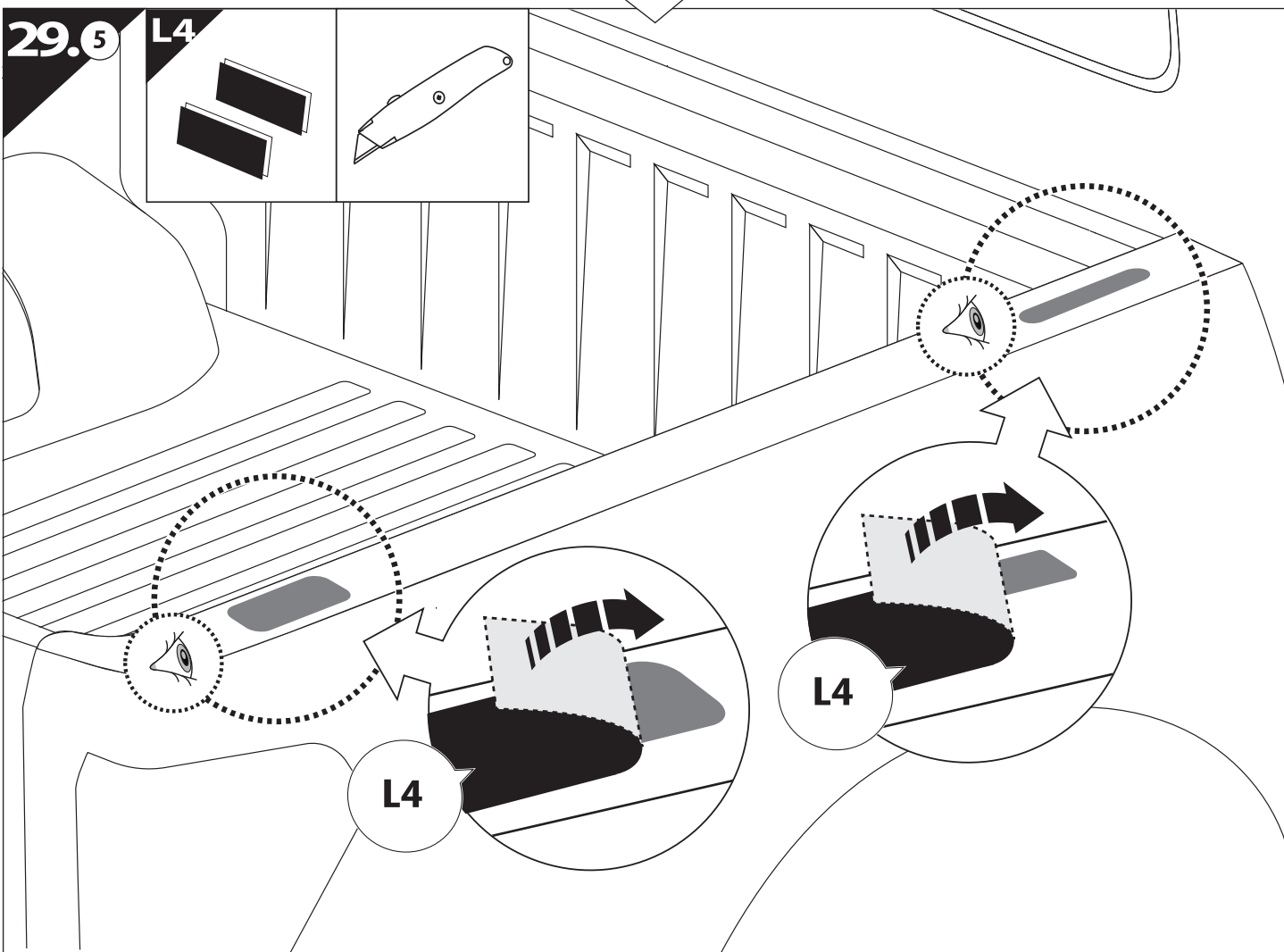
29.4

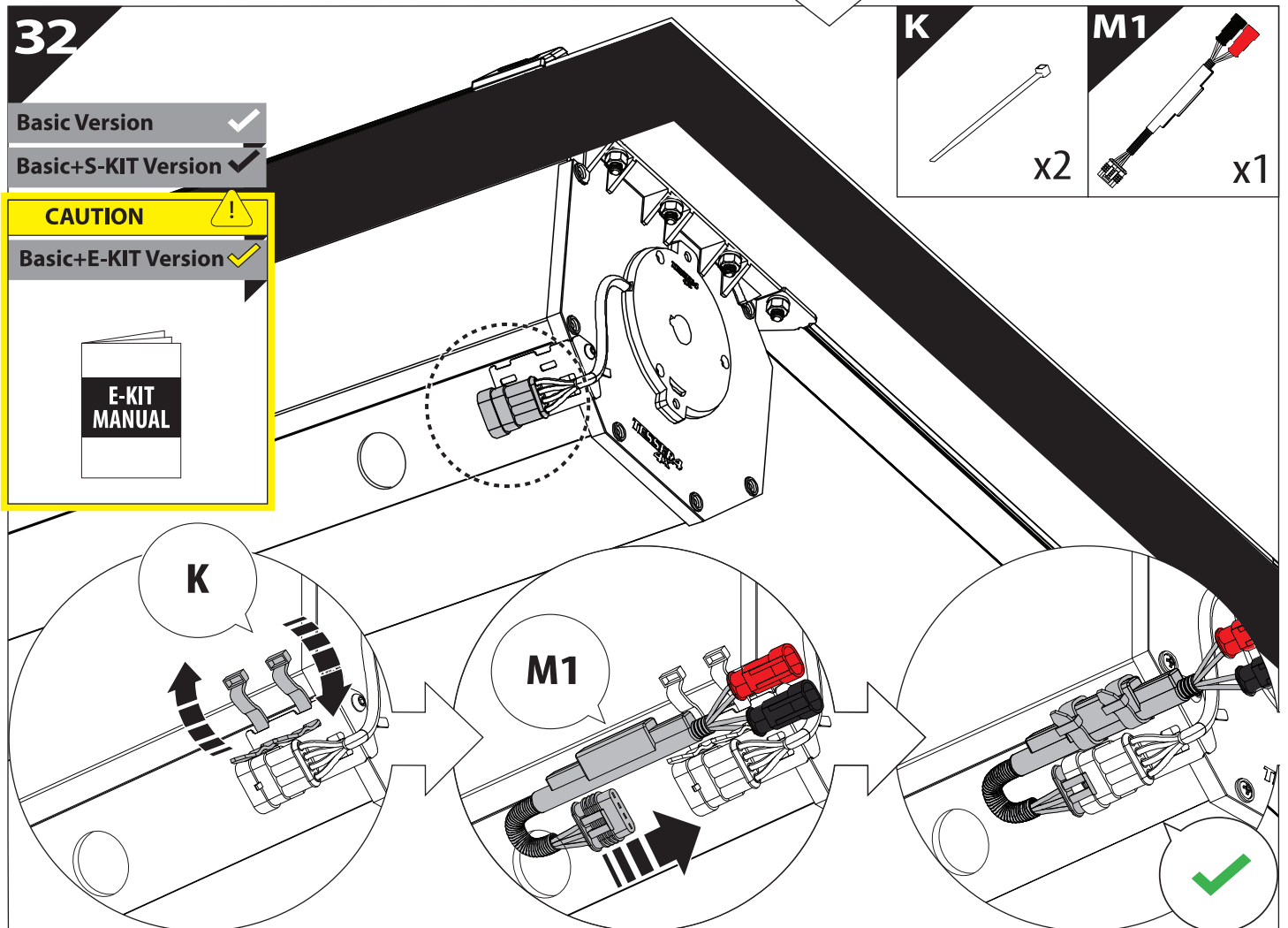
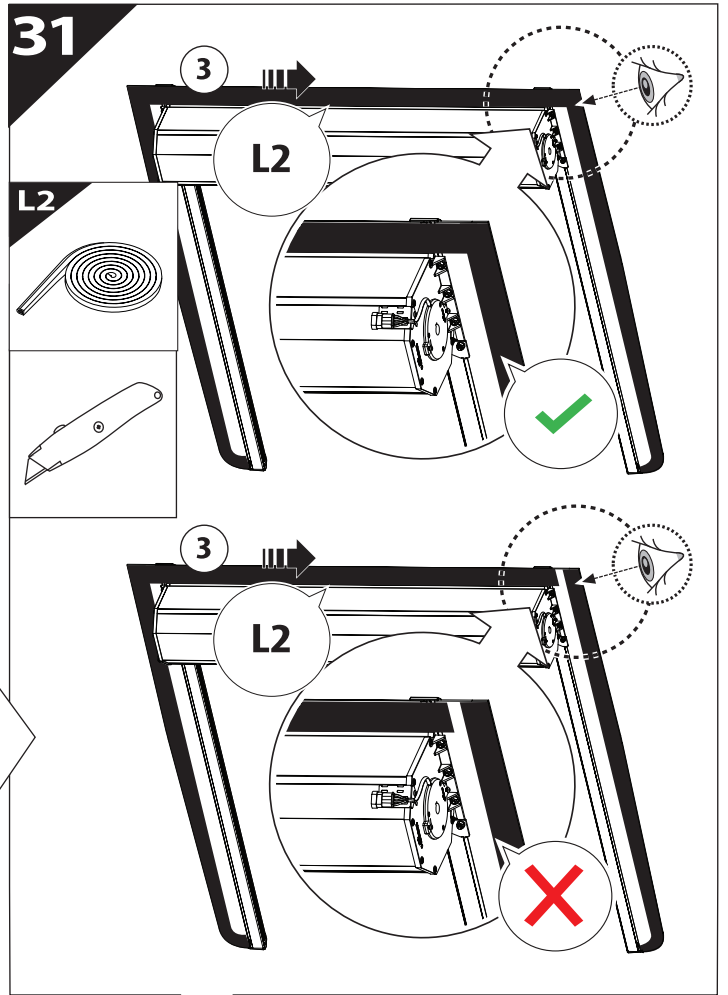
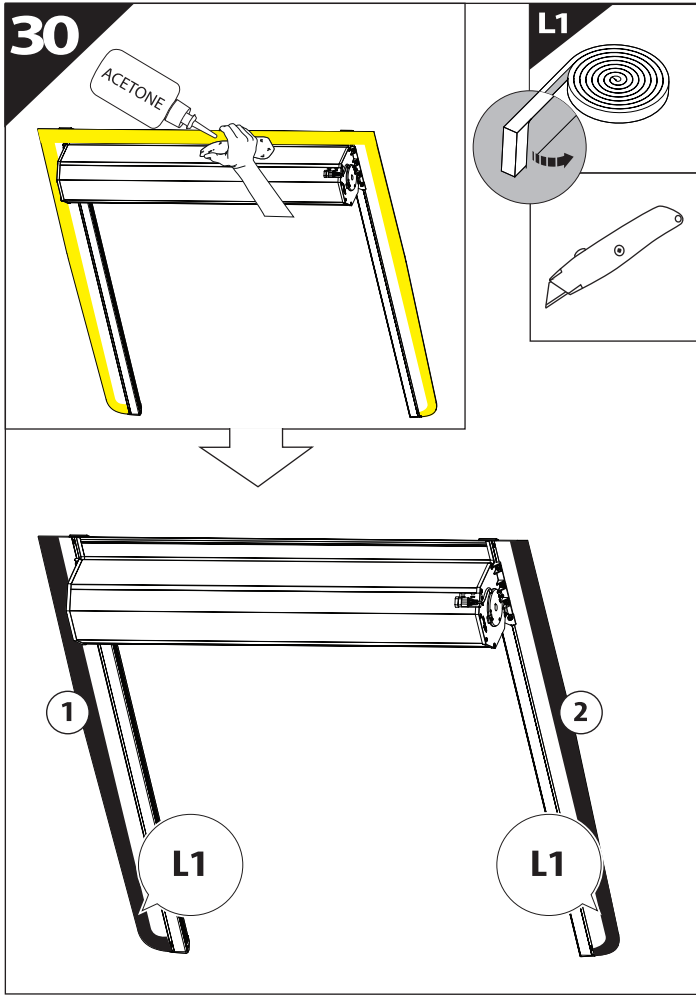
L3

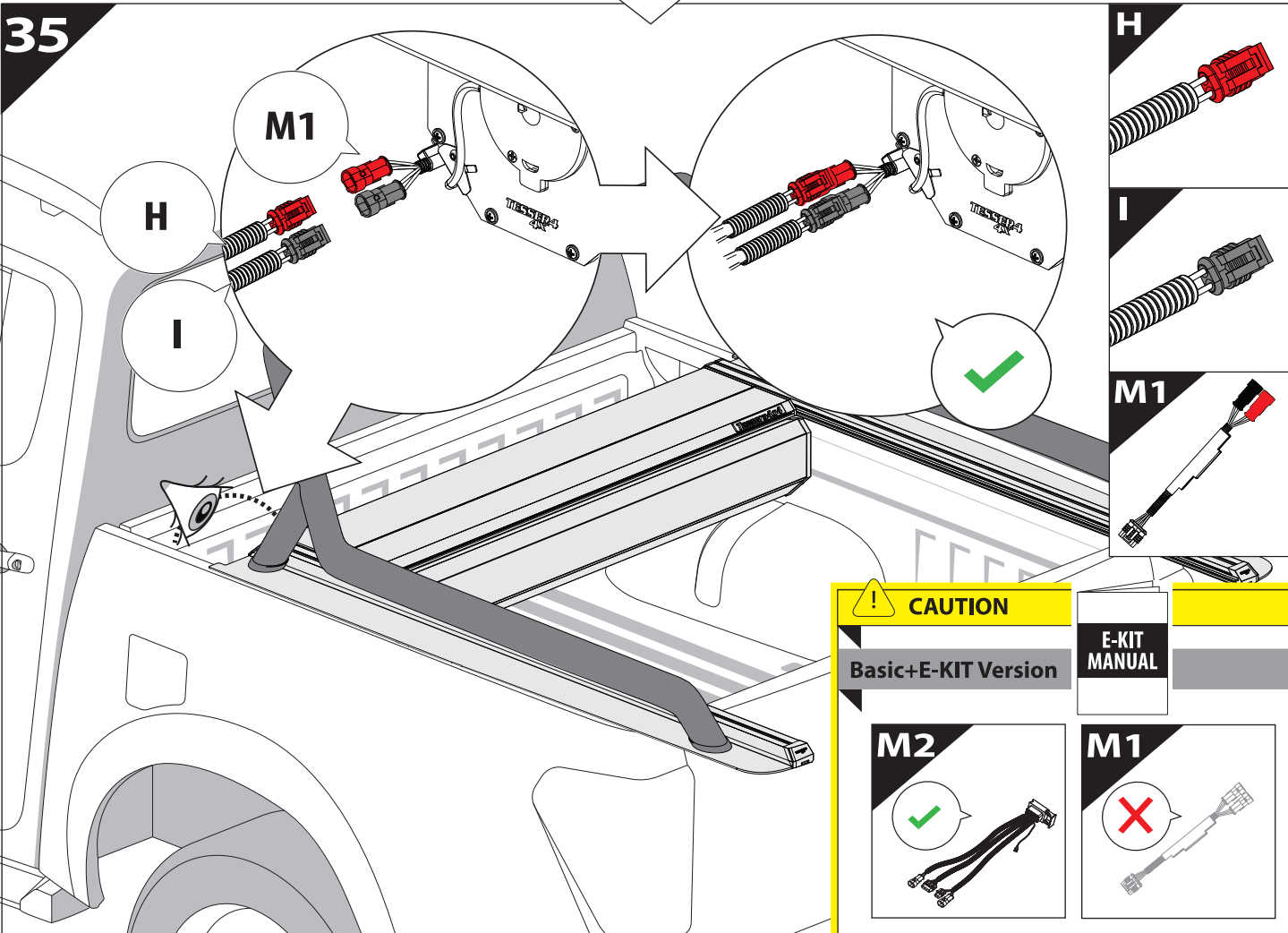
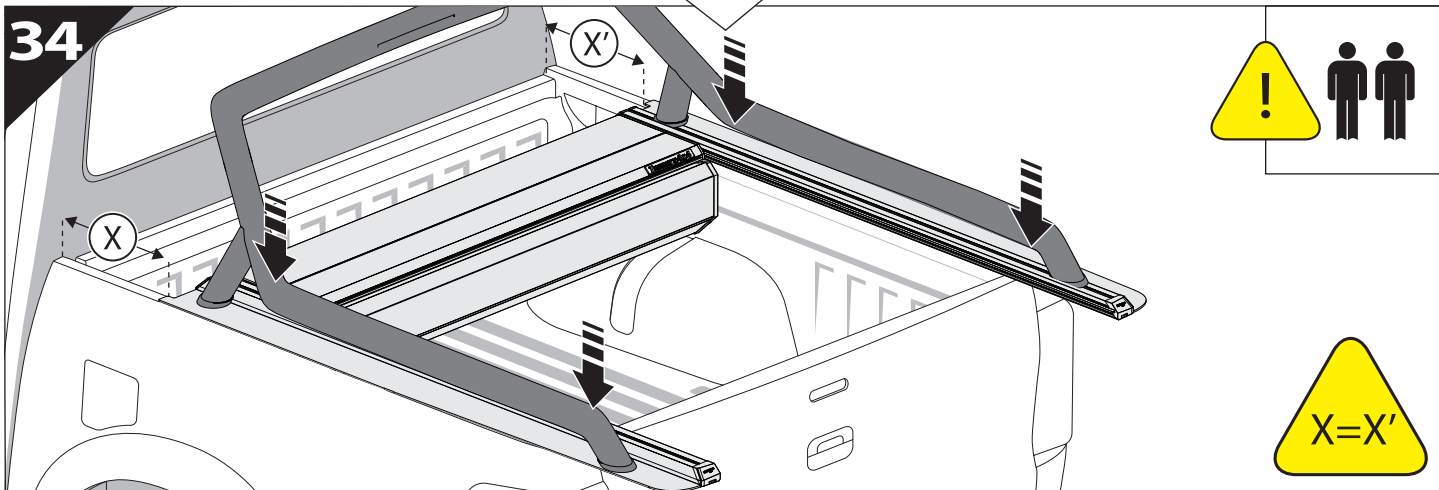
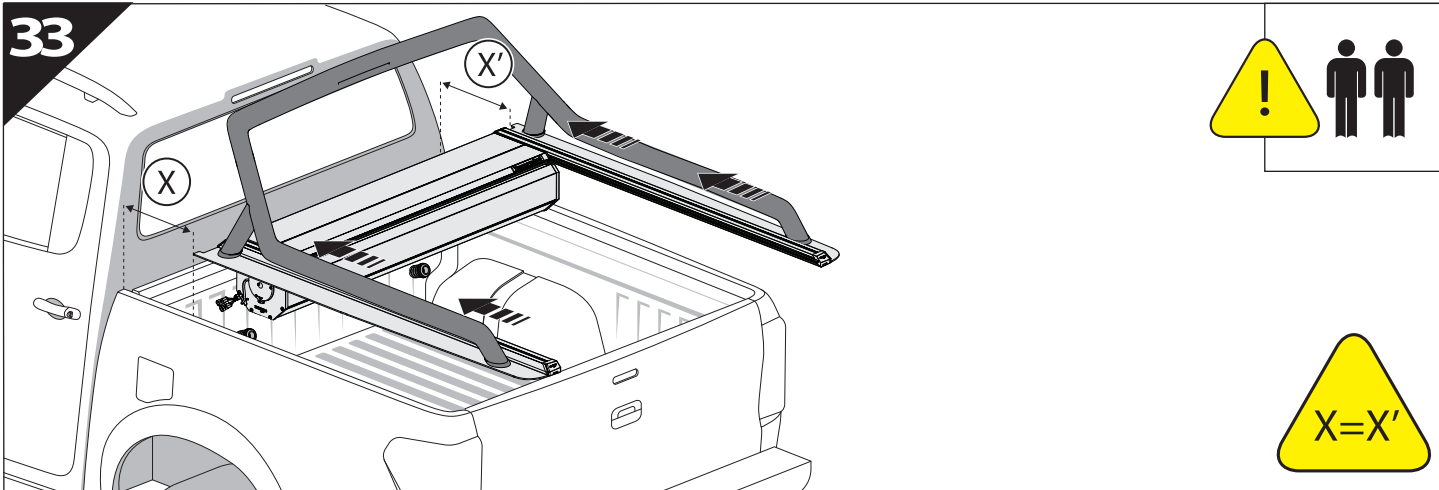


29.5

L4

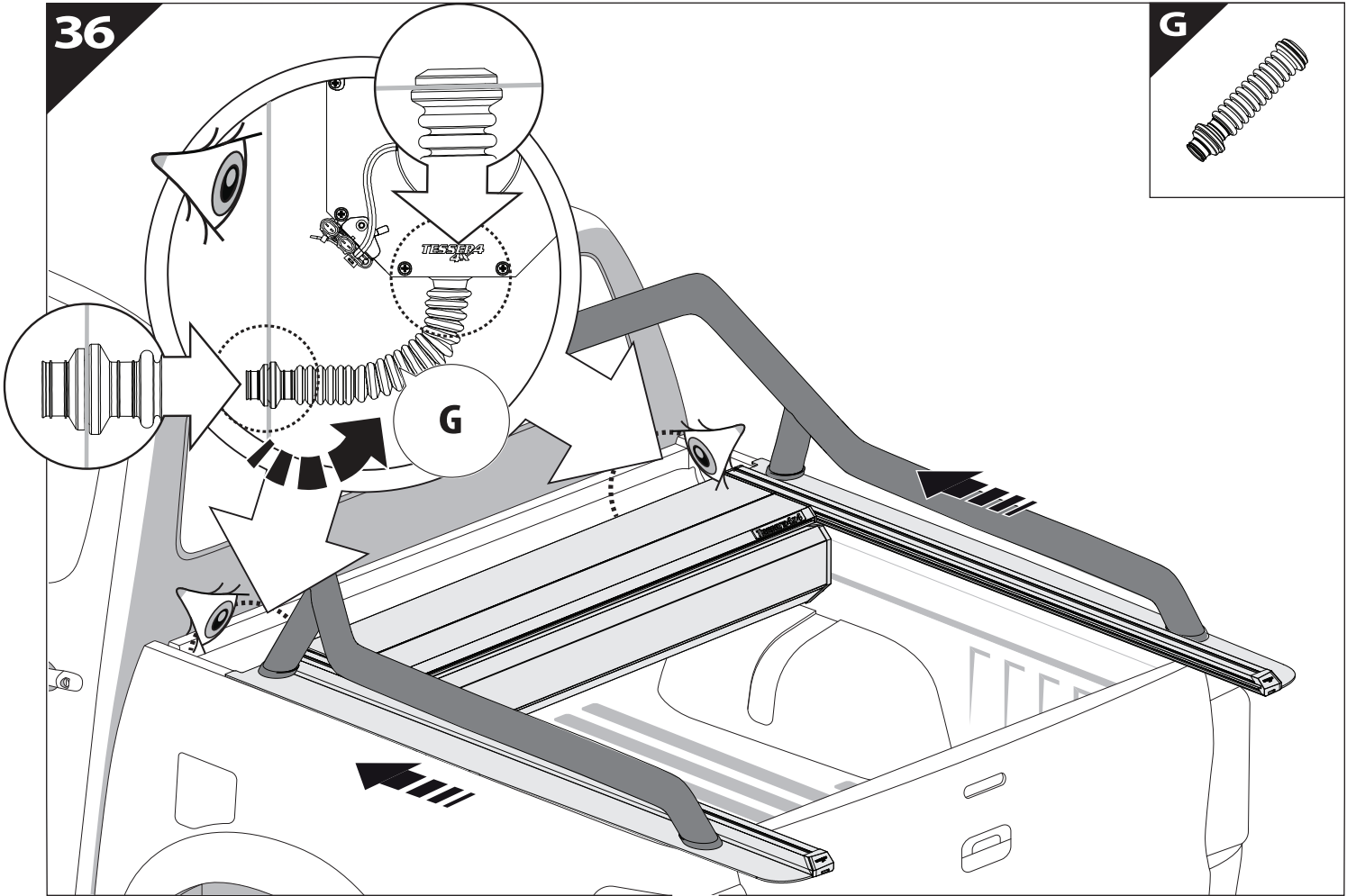




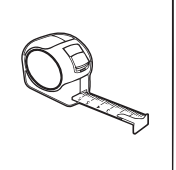
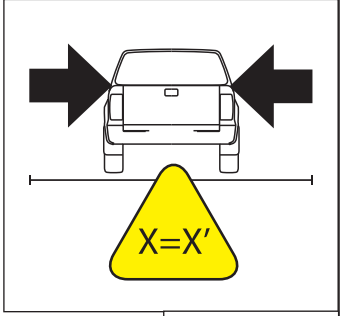
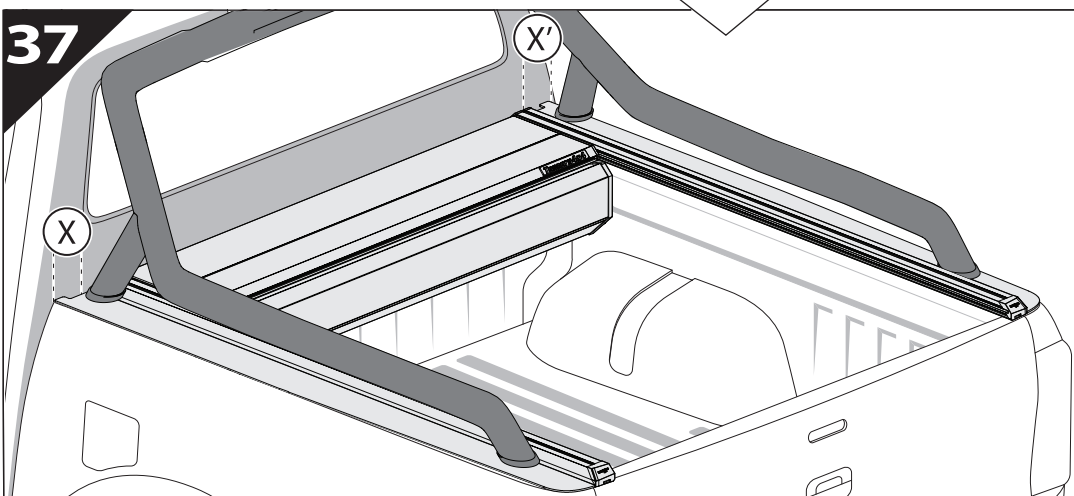


36

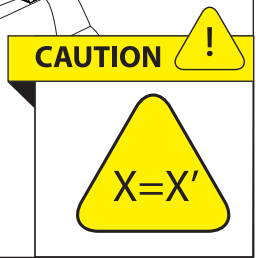
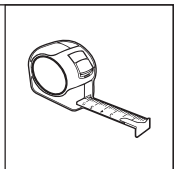
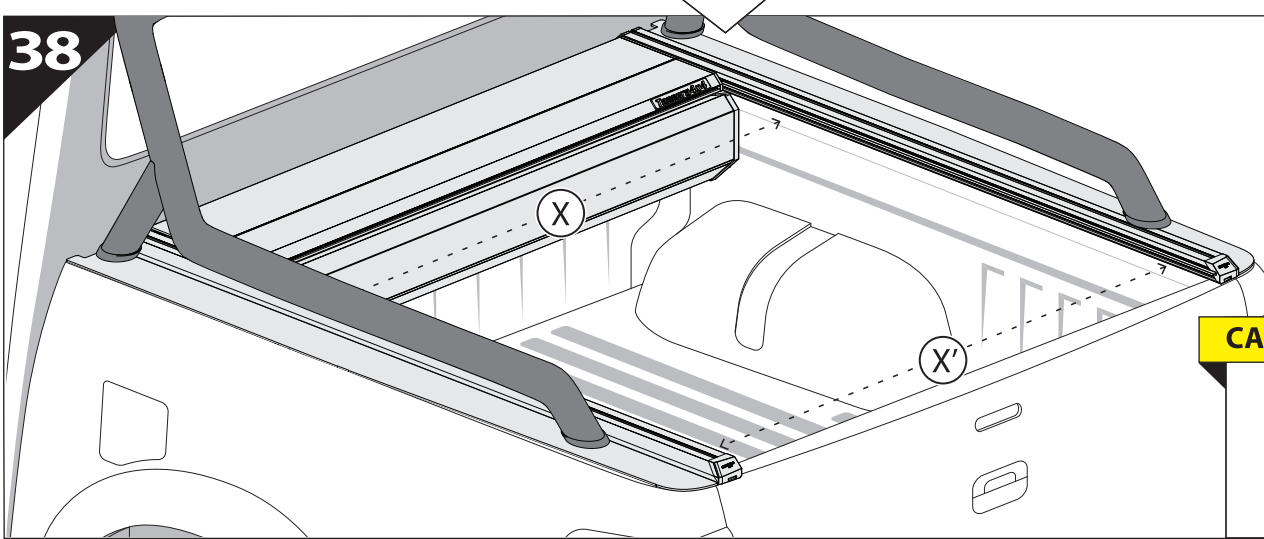
G

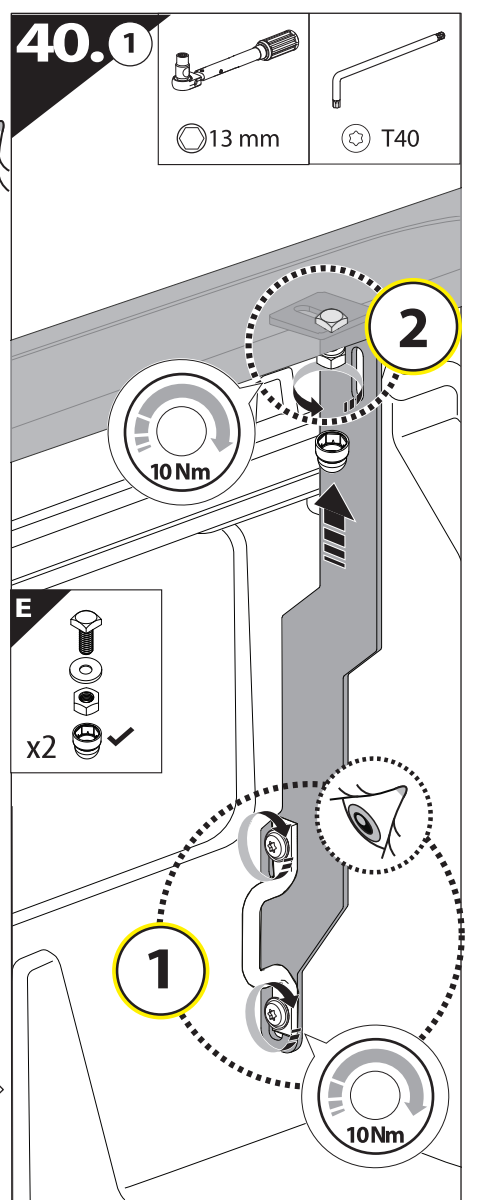
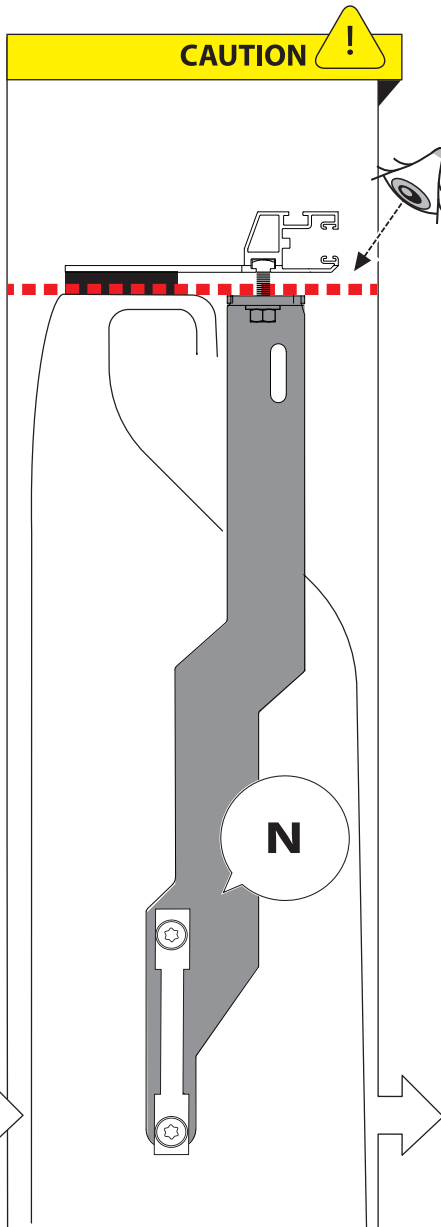
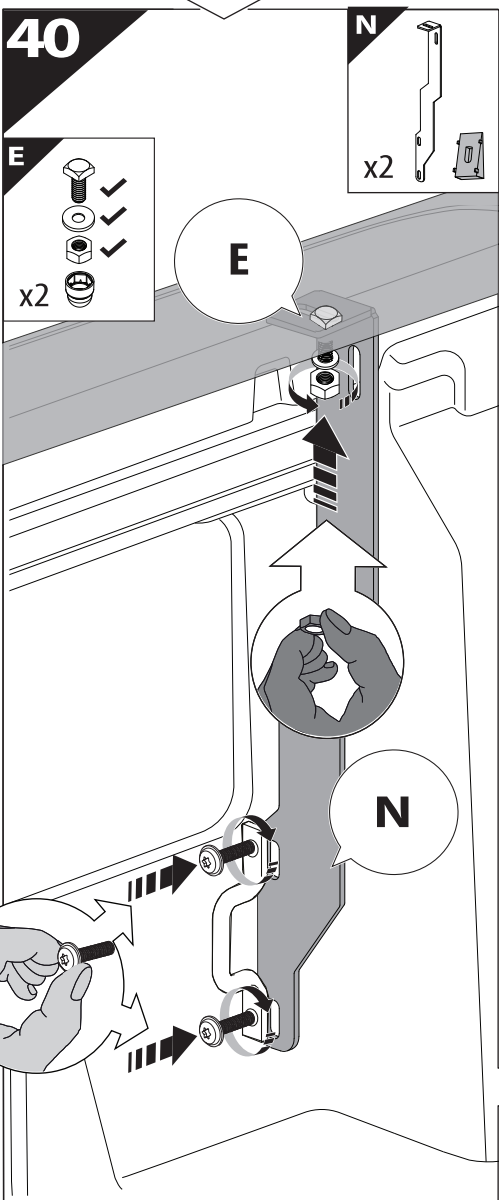
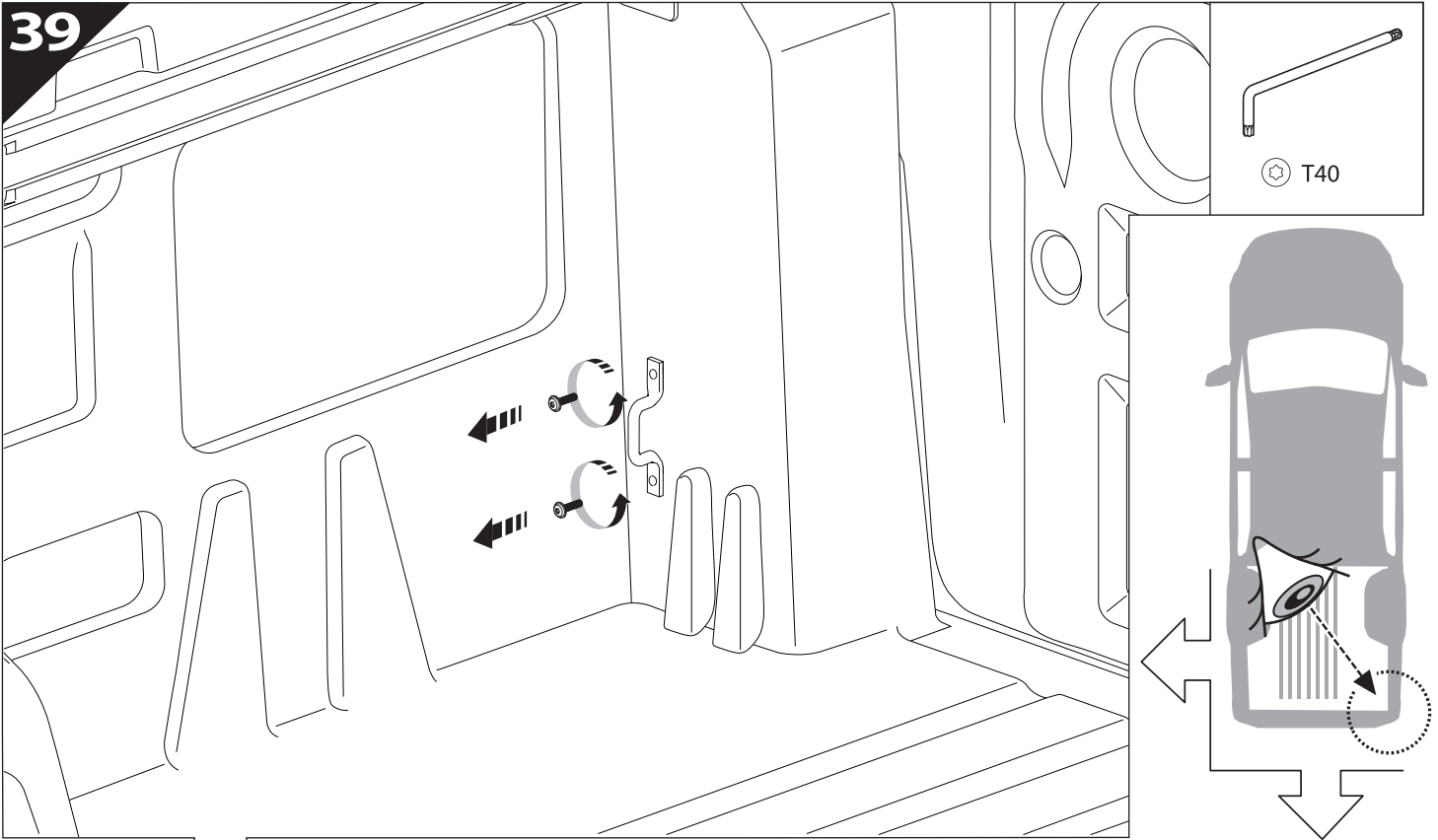


37



38



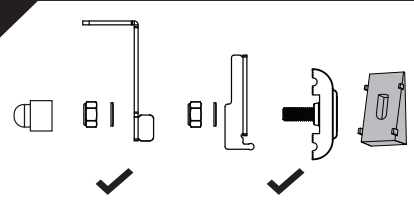


40 A

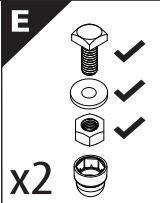


WITHOUT C - CHANNELS

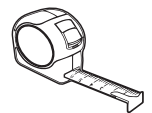
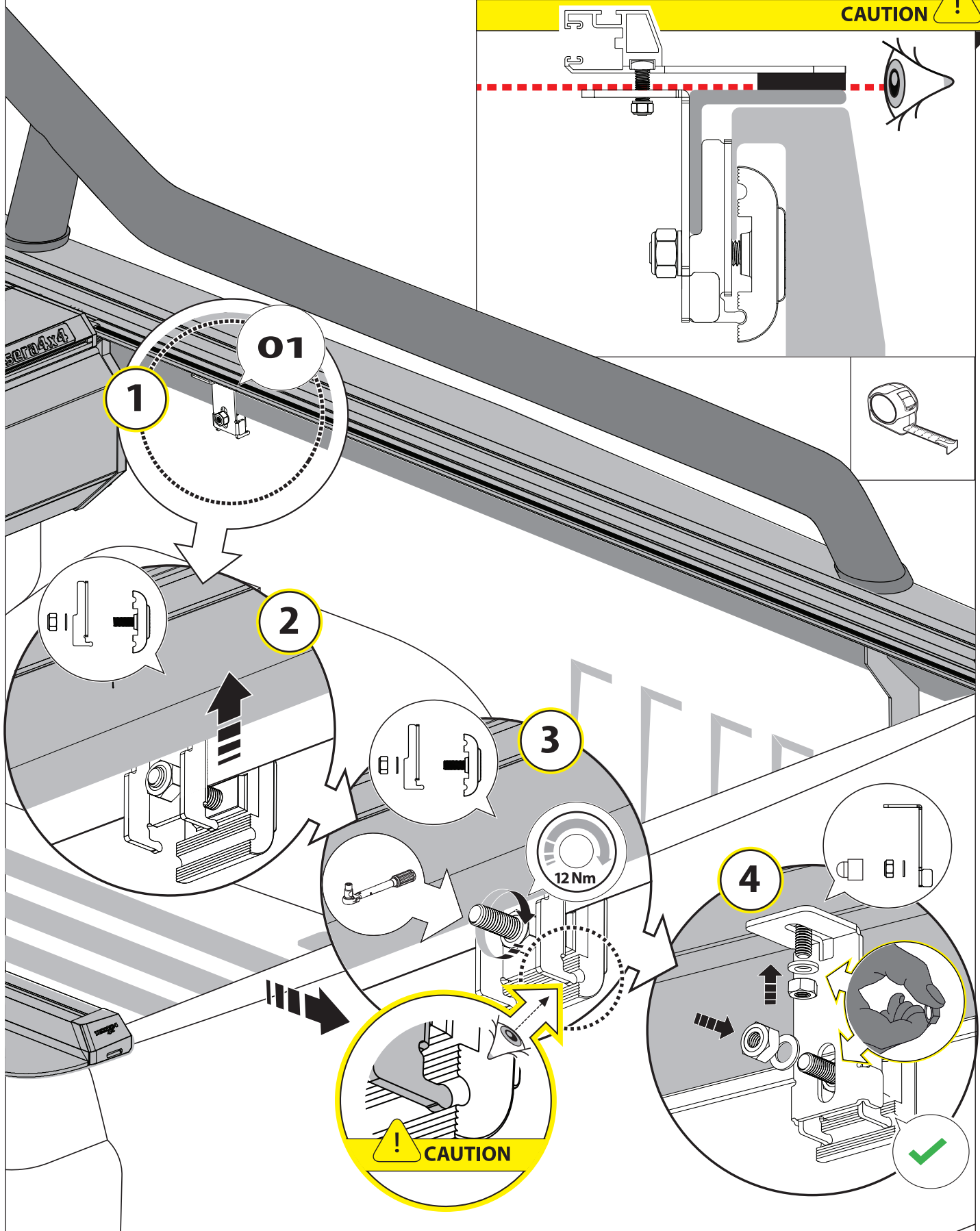
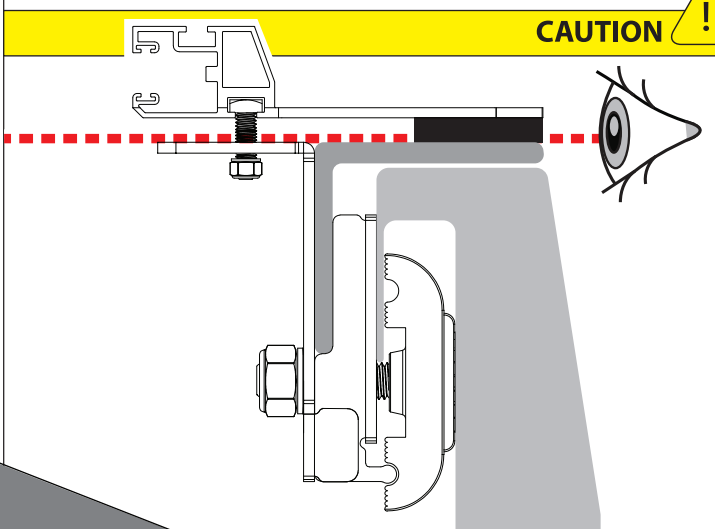
O1

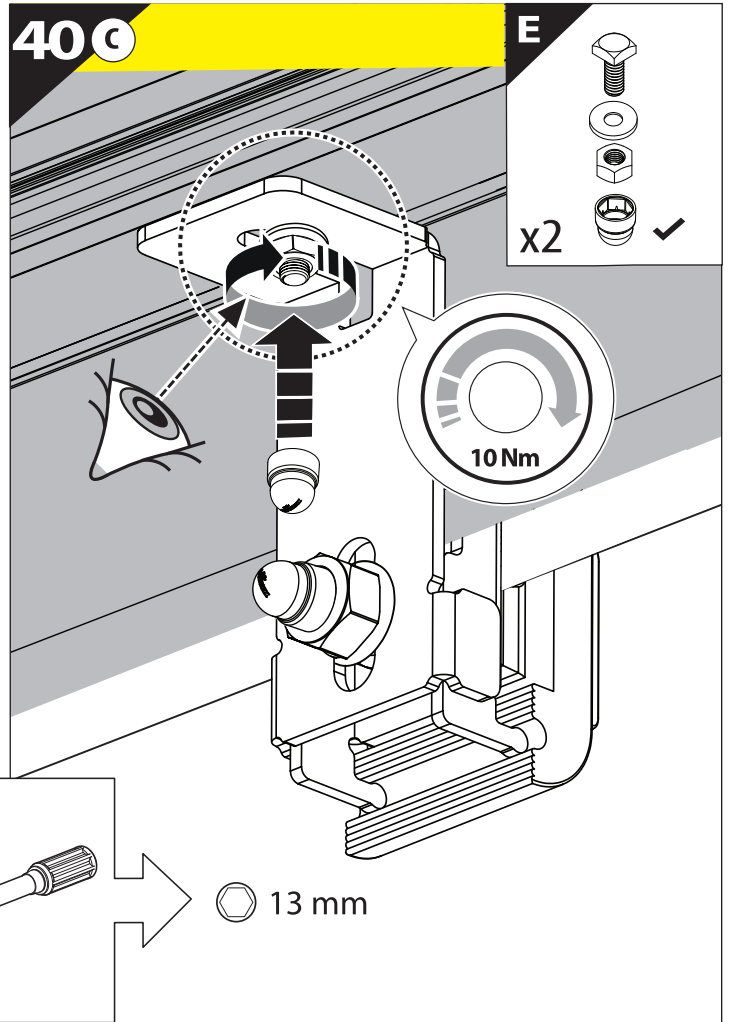
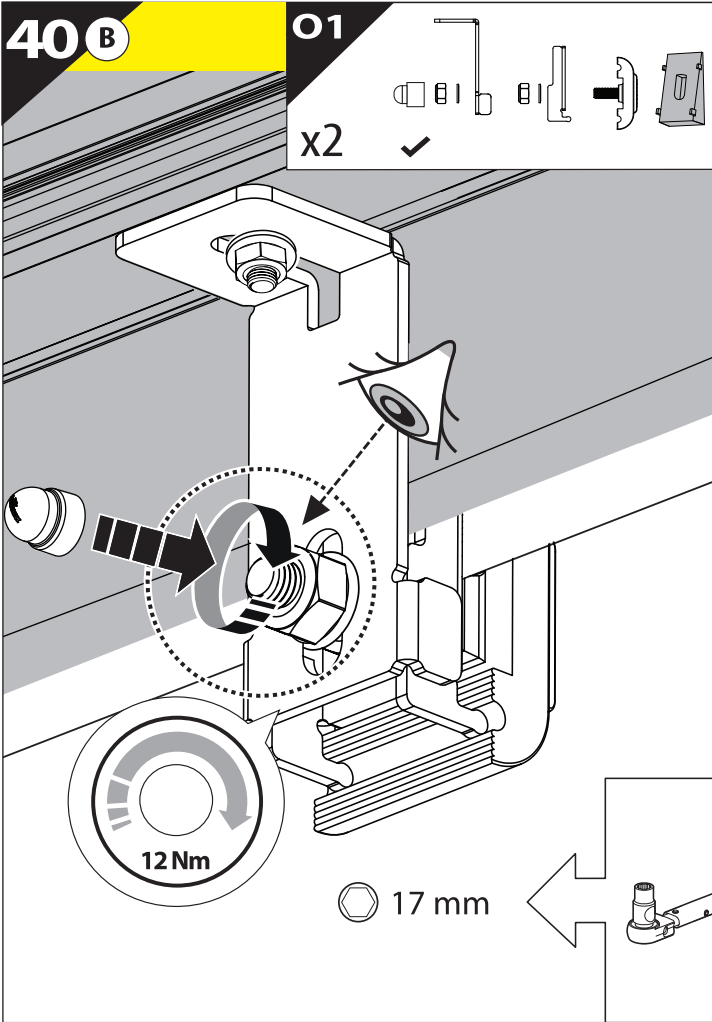


E

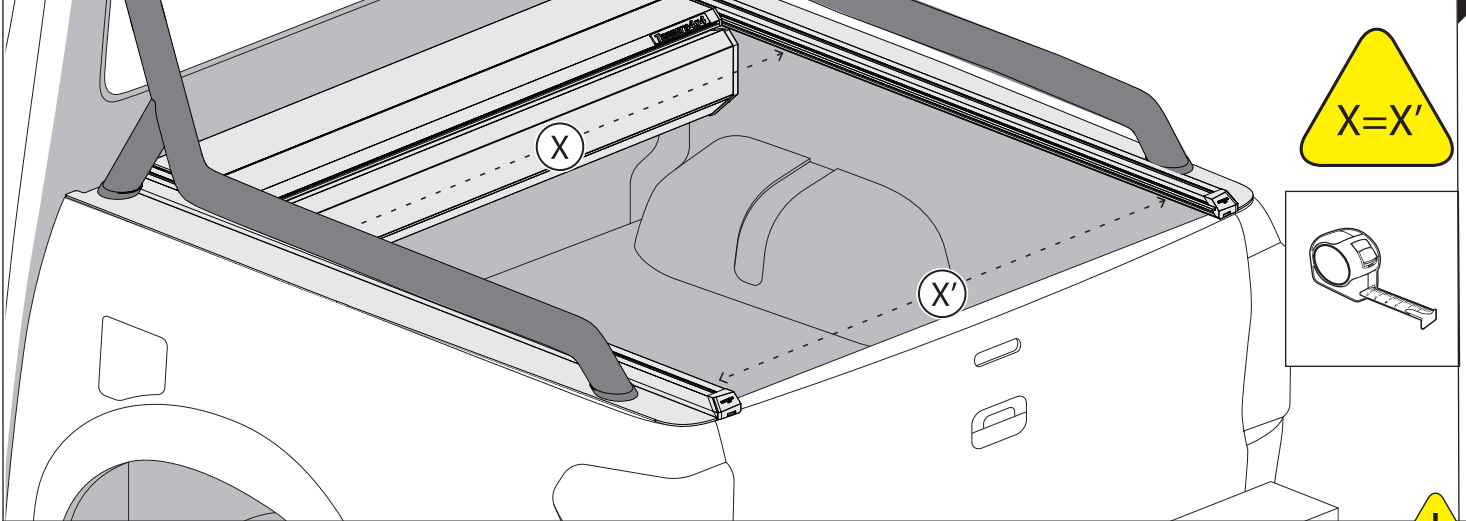


CAUTION

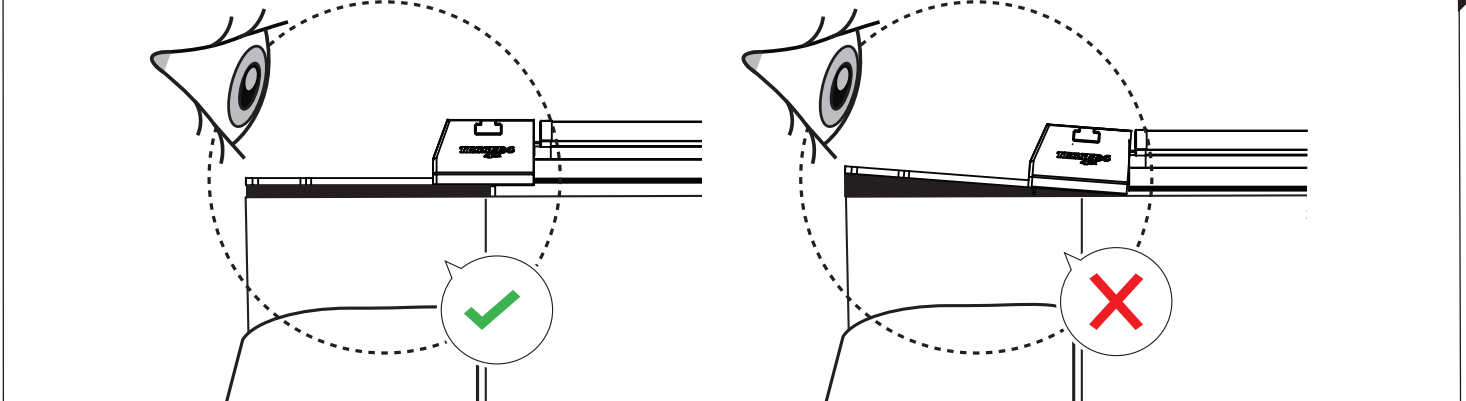




CAUTION !



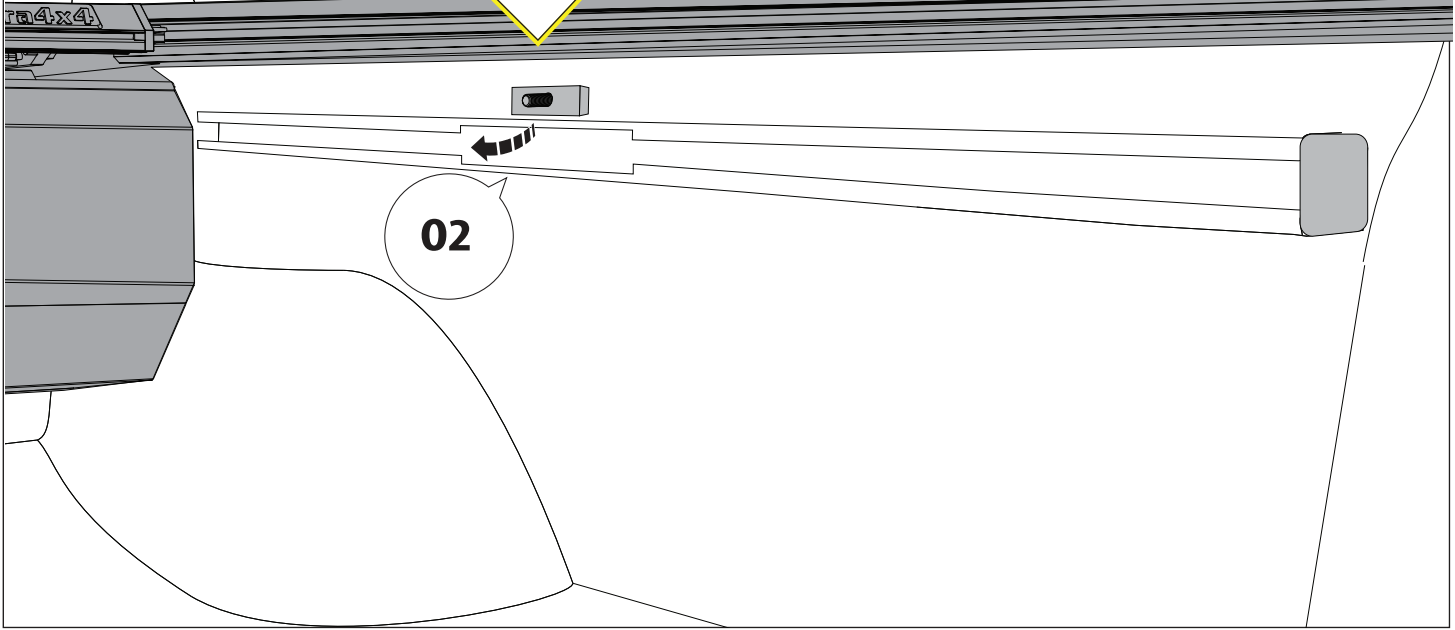
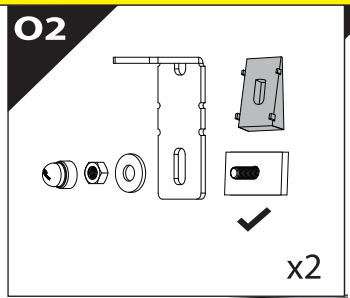
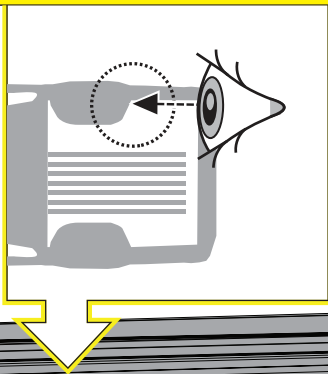
CAUTION !



40 A

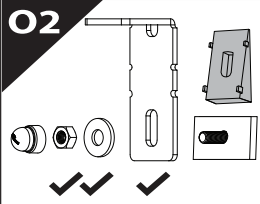


WITH C - CHANNELS

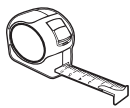
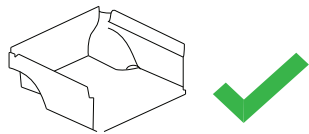
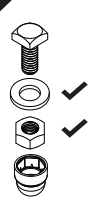


40 B

O2



E



3 mm

8 mm

CAUTION



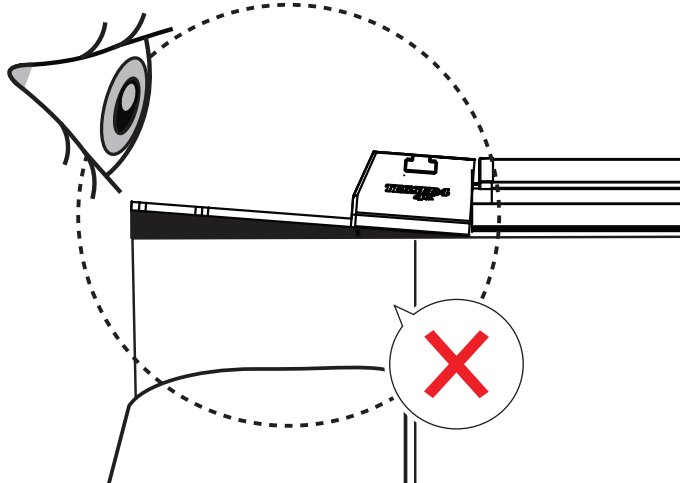
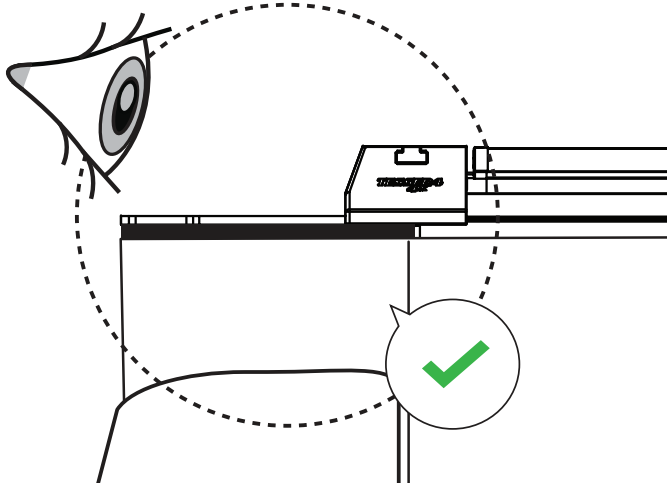
3 mm

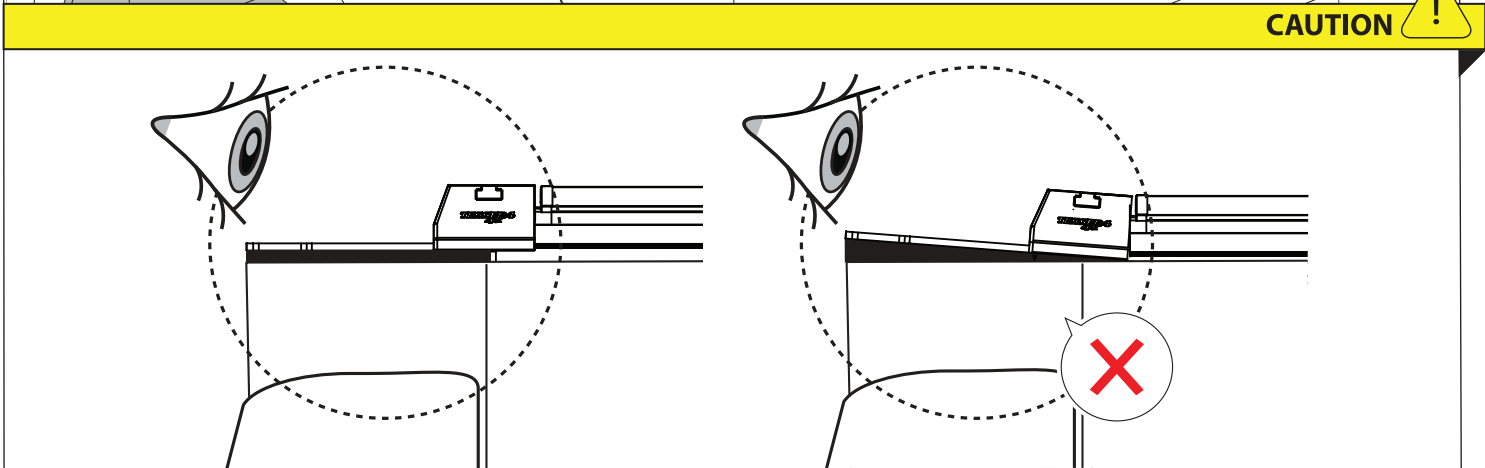
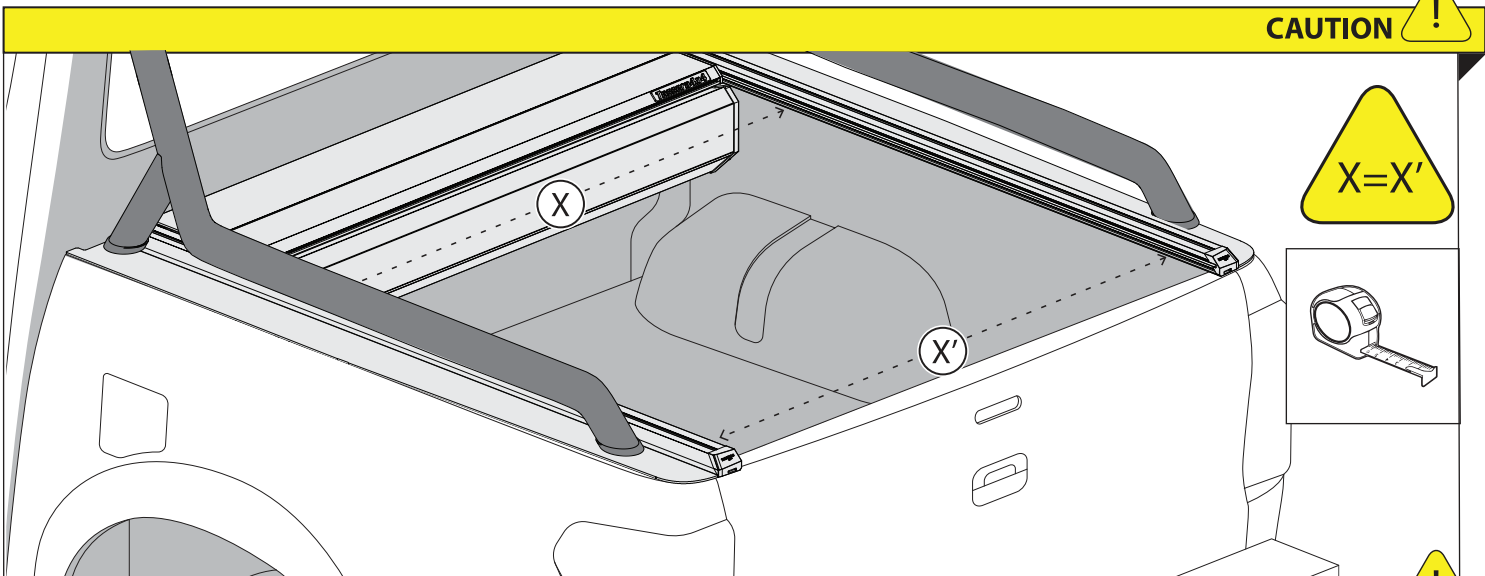
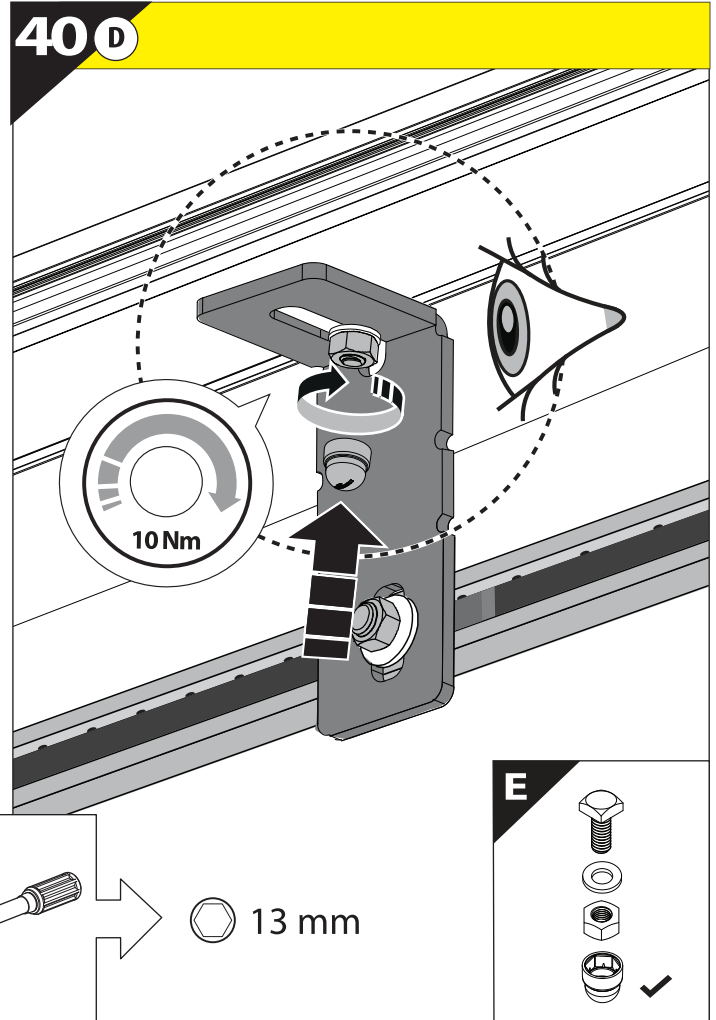
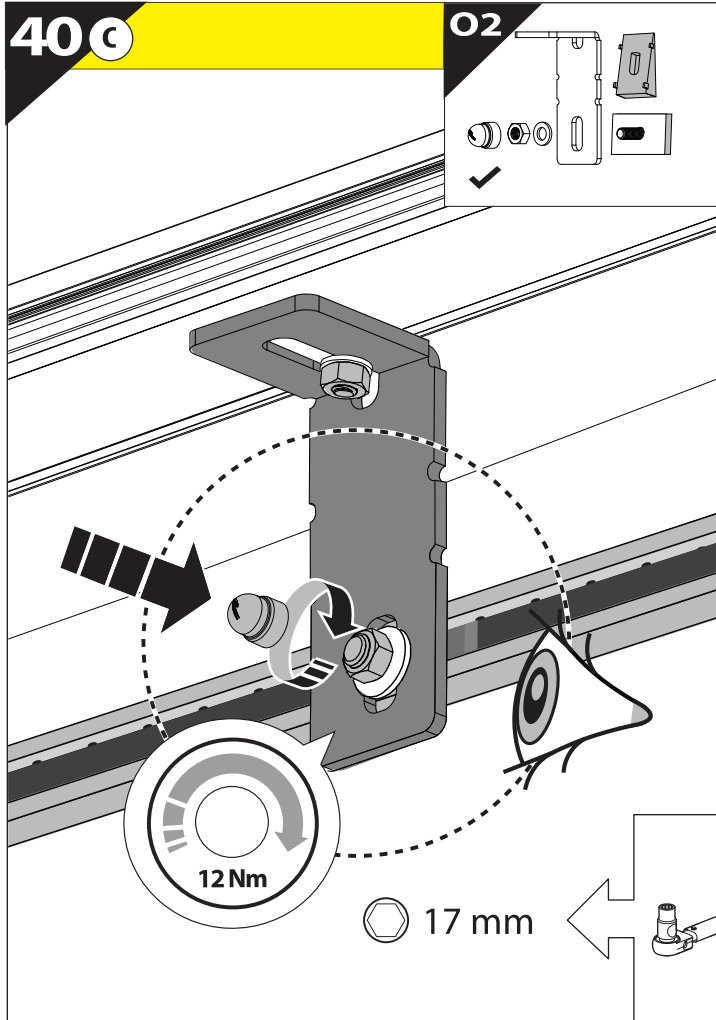
8 mm

CAUTION

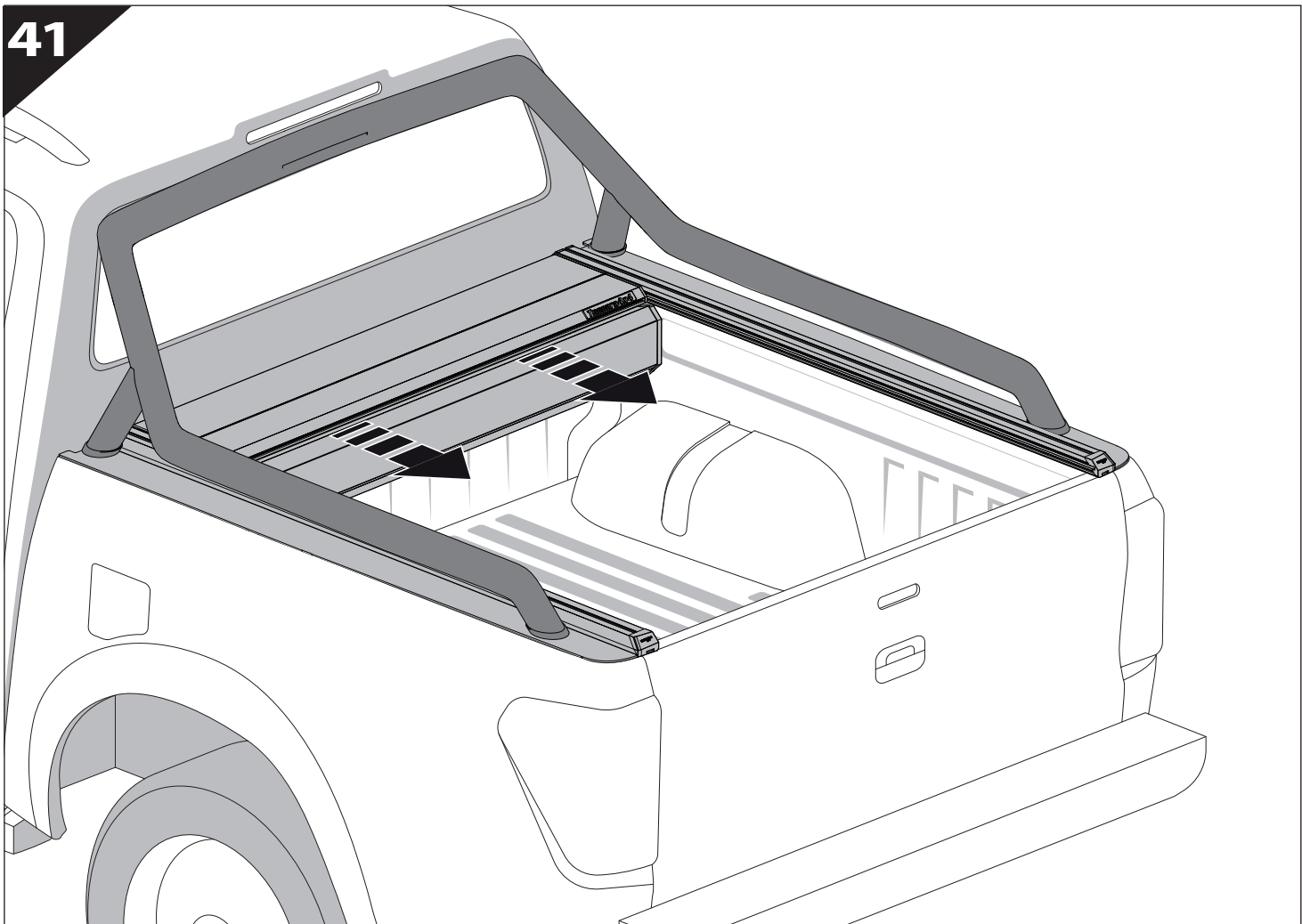


CAUTION

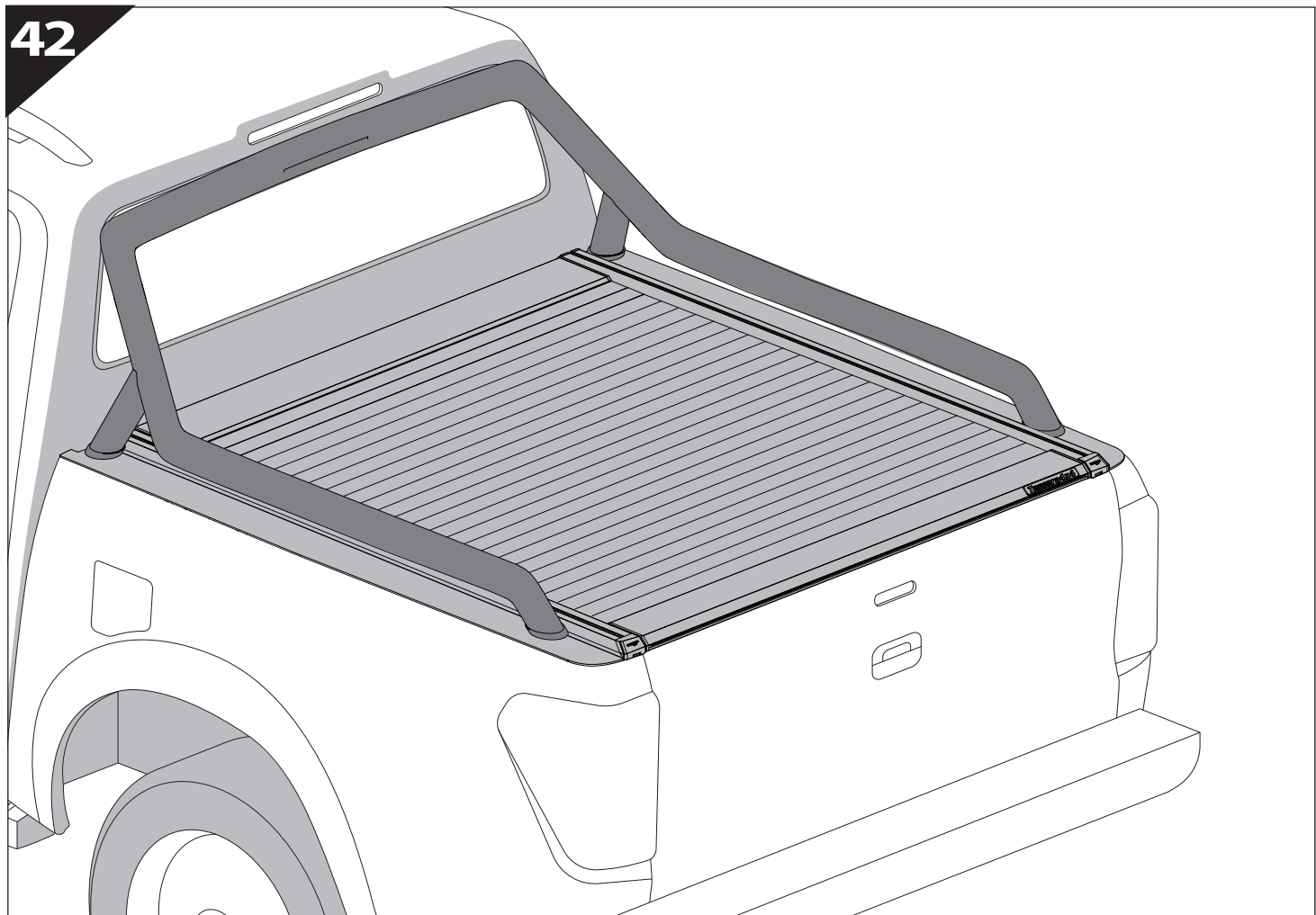




41



42





GR: Οδηγίες Εγκατάστασης
GB: Installation manual
SF: Asennusohje
F: Notice de montage
PL: Instrukcja montażu
NL: Installatie-instructies
TR: Montaj Talimatı
S: Monteringsanvisning
E: Instrucciones de montaje

H: Szerelési utasítás
P: Instruções de instalação
RUS: Инструкция по установке
N: Monteringsveiledning
D: Einbauanleitung
CZ: Návod k instalaci
I: Istruzioni de montaggio
DK: Monteringsvejledning
RO: Instructiuni de instalare

Customer Service:

+30 (210) 5541161, +30 (210) 5541154 (08:00 - 16:00 EET)

Support department:

info@gianso.gr

Website:

www.tessera4x4.com

Address:

19.5 km of National road Athens-Korinthos (Elefsina) Greece, P.C: 19200