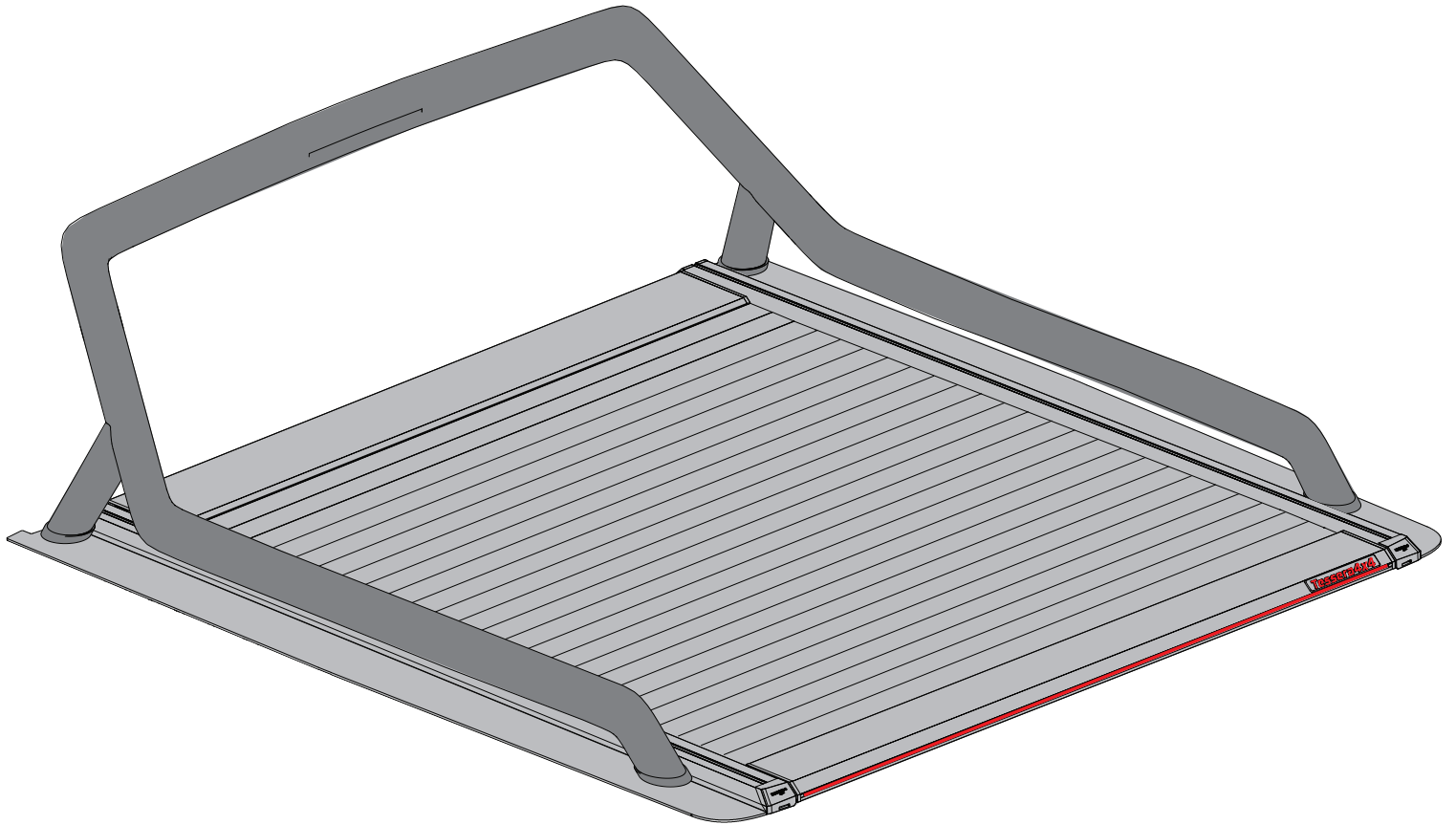


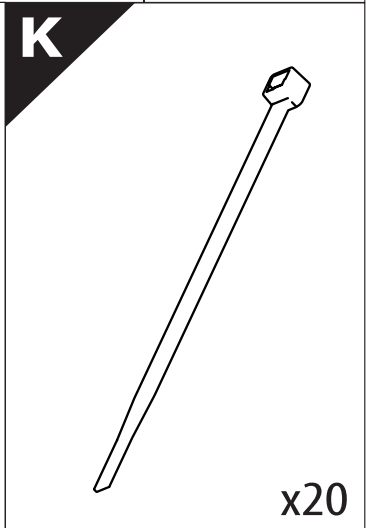
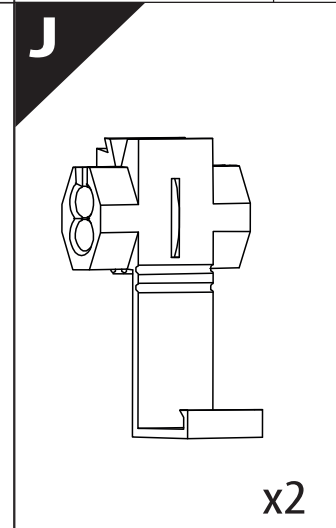
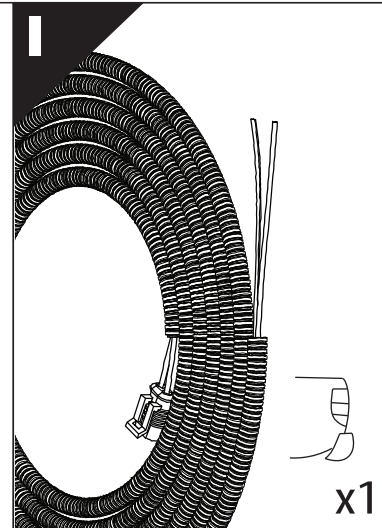
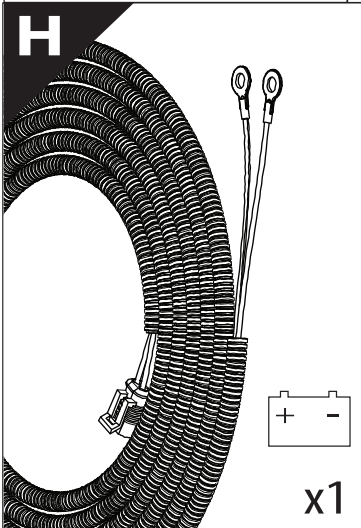
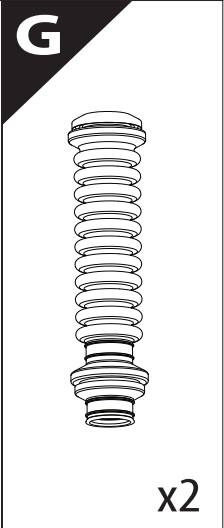
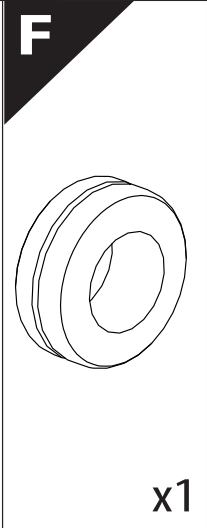
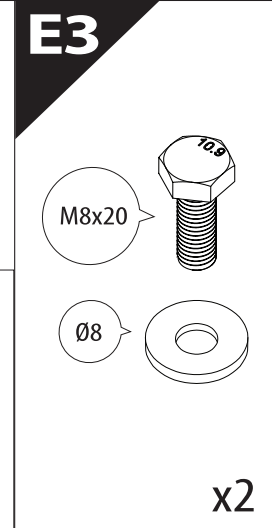
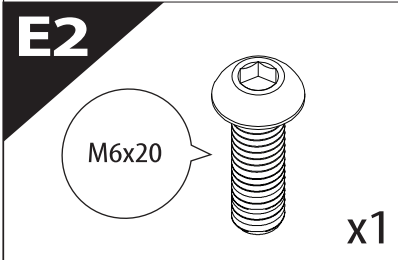
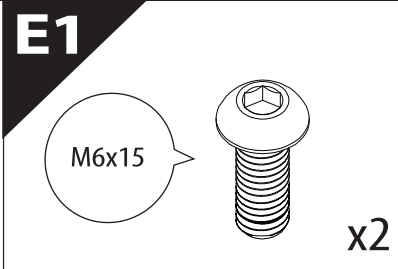
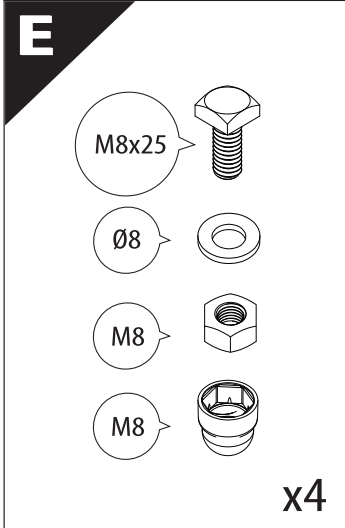
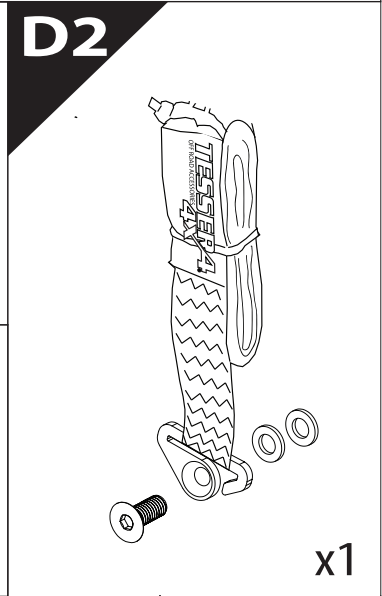
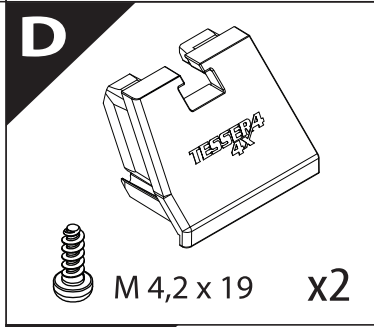
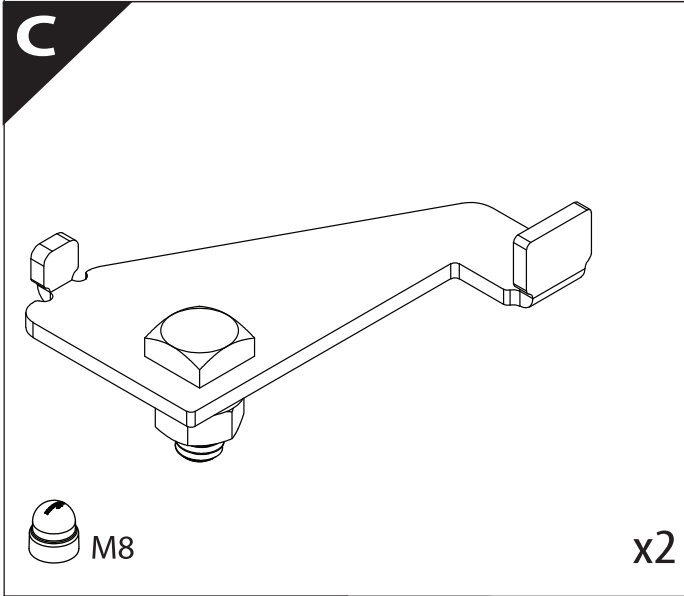
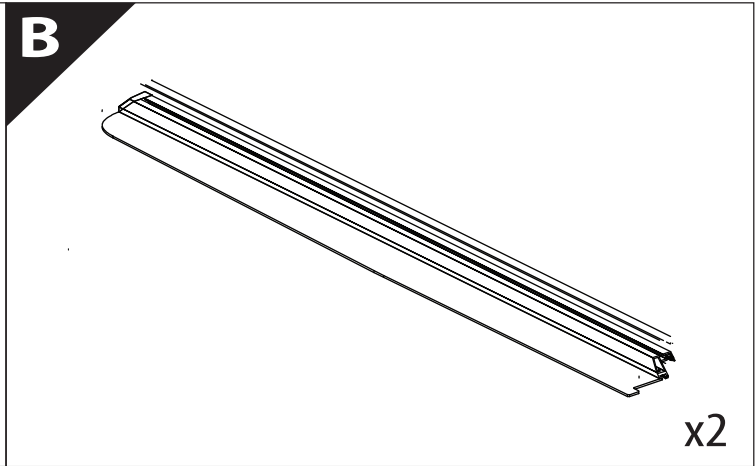
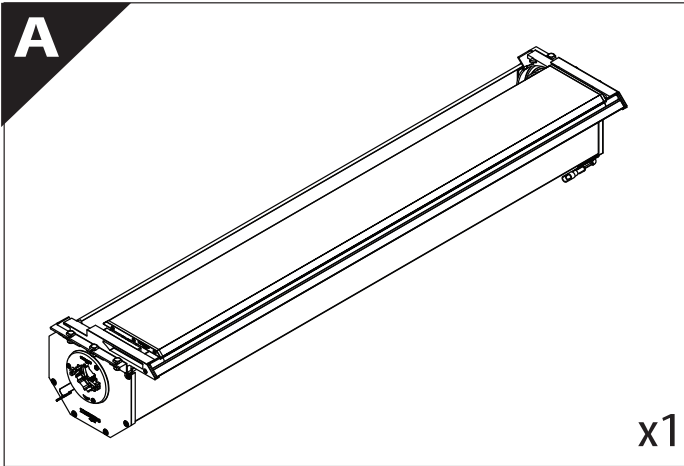
# Tessera Roll+

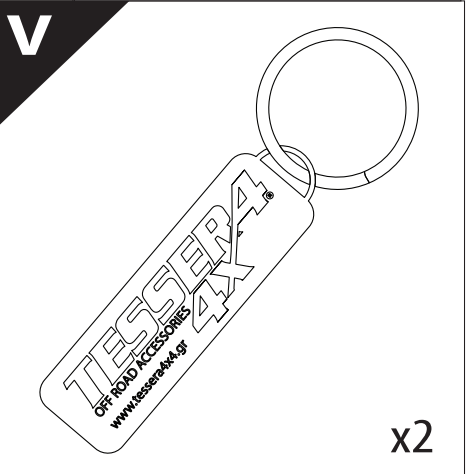
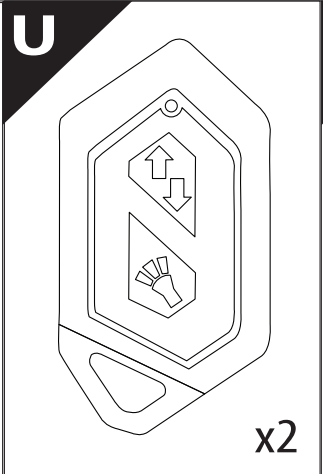
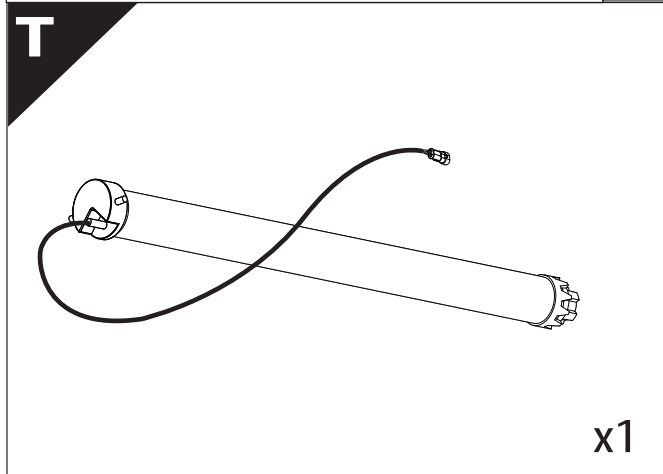
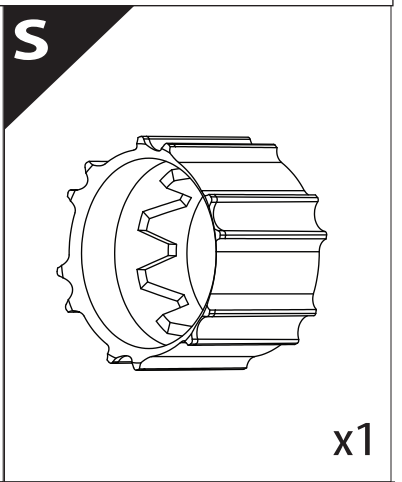
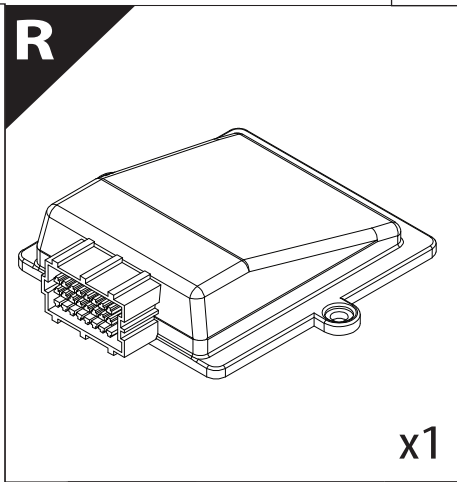
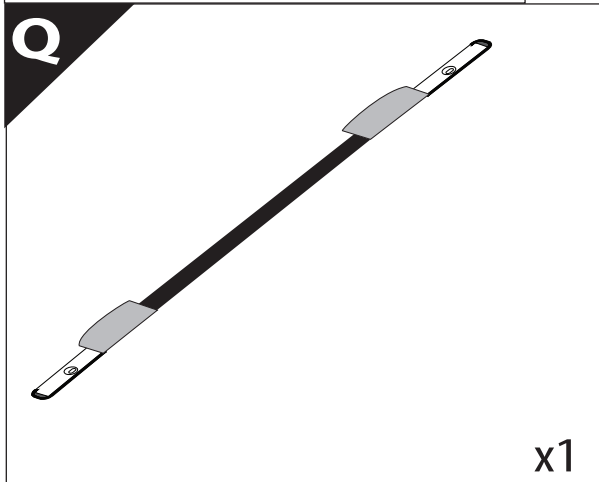
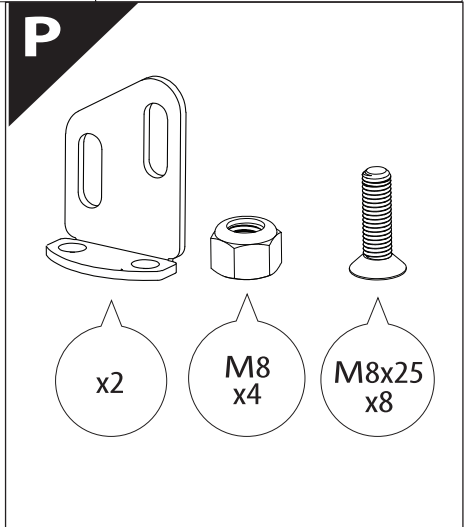
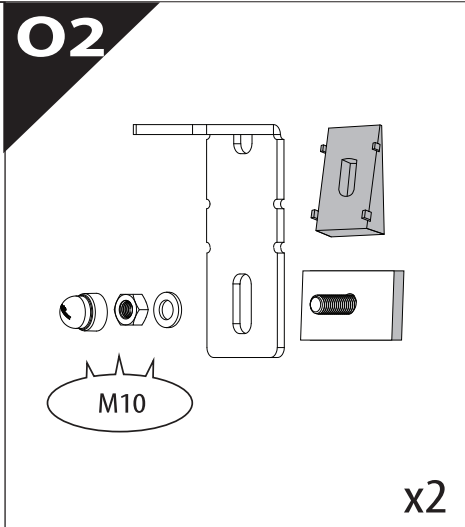
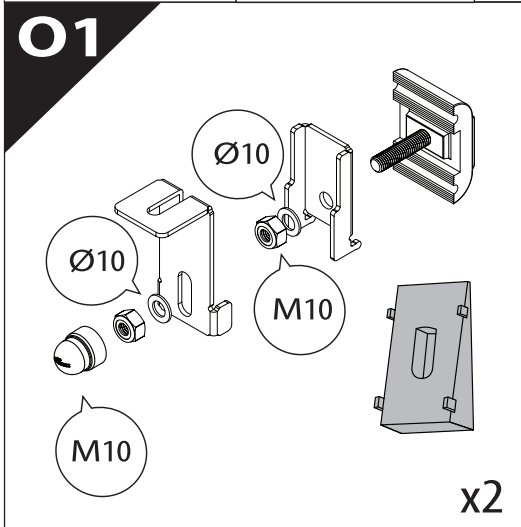
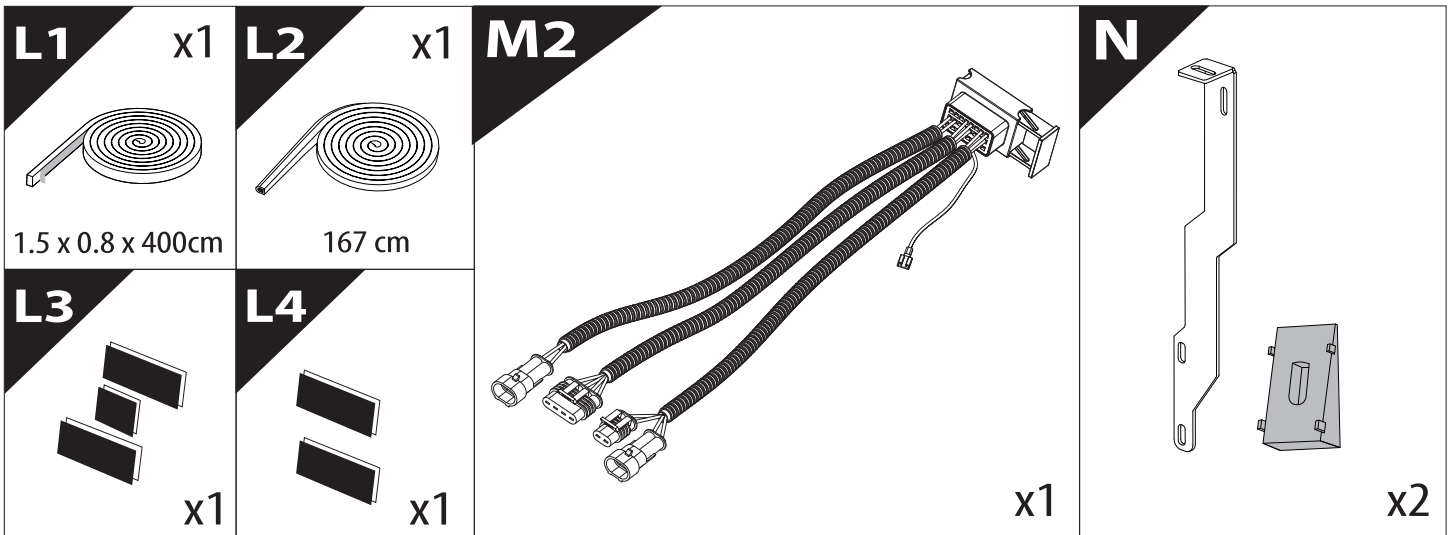
## Basic Version + ⚡ E-KIT

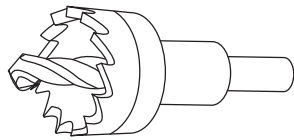


## Installation Manual

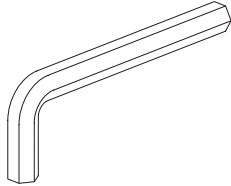
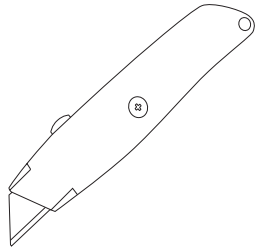
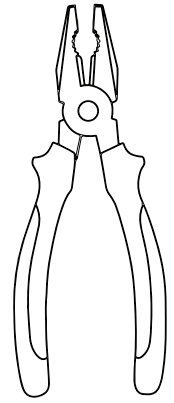
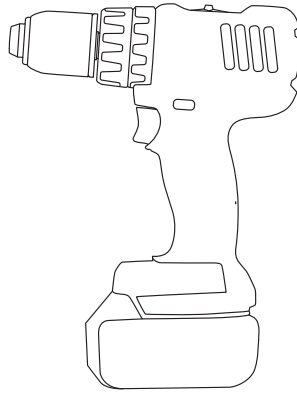
PART NUMBER(S)	Model Year
TESS 14012 ROLL+E-KIT	VW AMAROK PANAMERICANA 2023+ WITH OR WITHOUT C-CHANNELS
Cab(s)	Installation Time / Weight
Double Cab	40-60 minutes / 53-57 kg





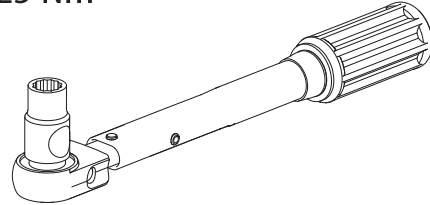


Ø 25 mm



4 mm

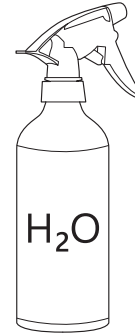
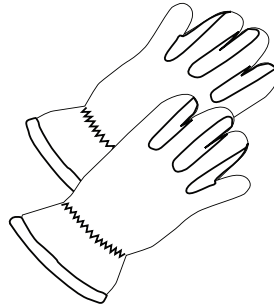
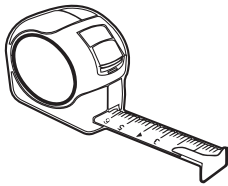
1 - 25 Nm



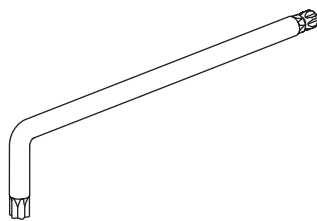
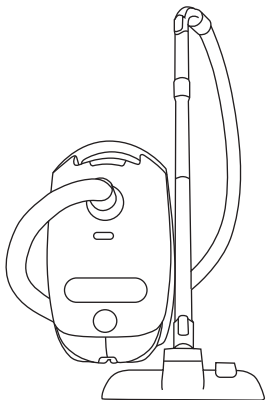
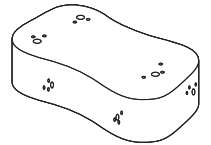
10, 12, 13, 17 mm



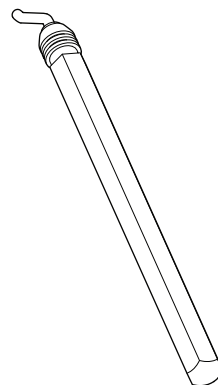
ACETONE



H<sub>2</sub>O



T30, T40



ANTI-RUST



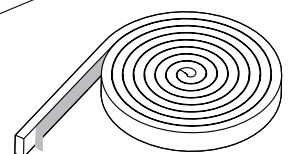
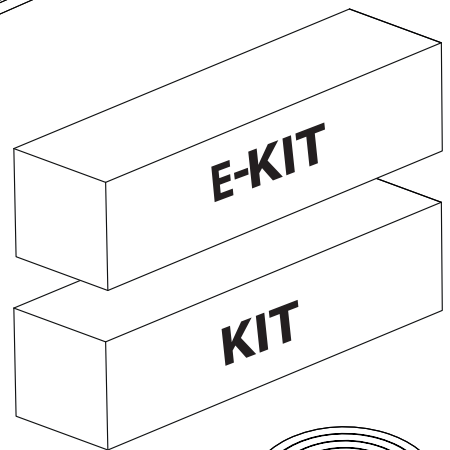
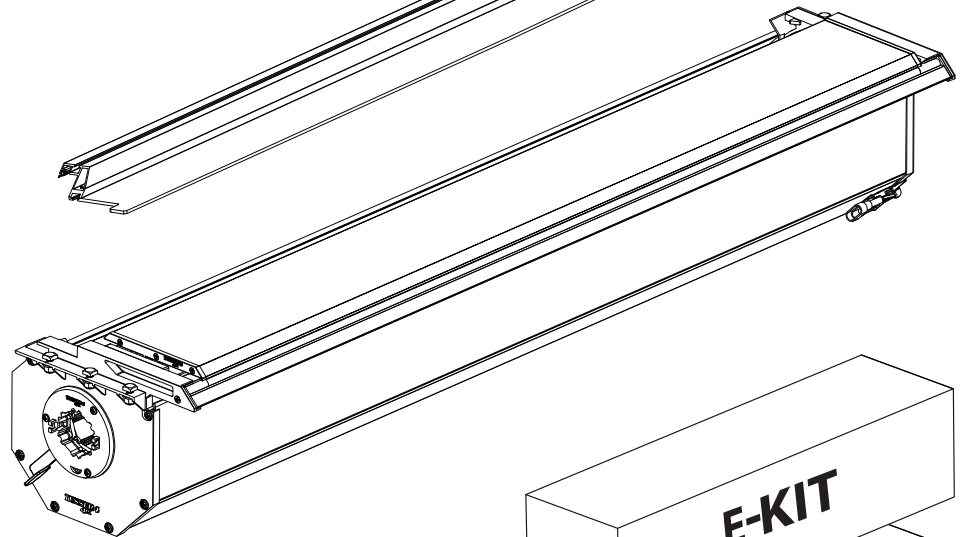
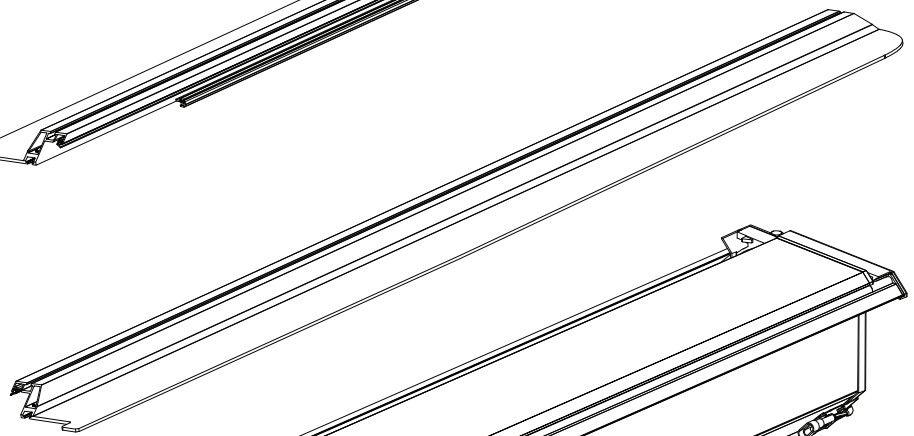
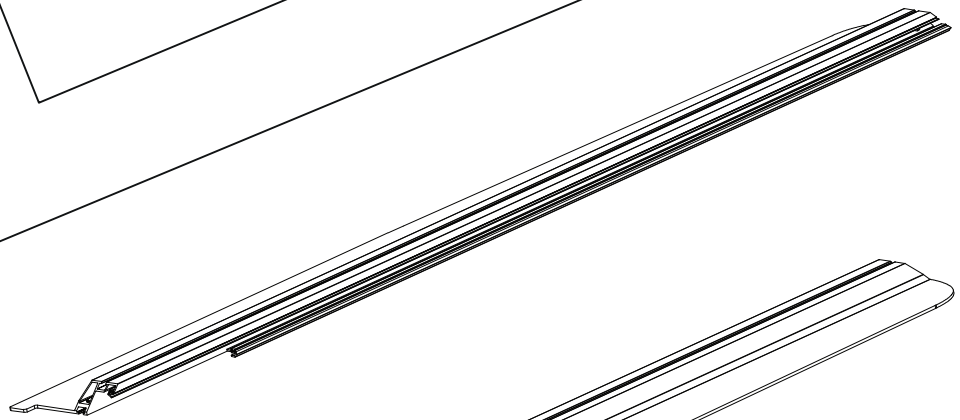
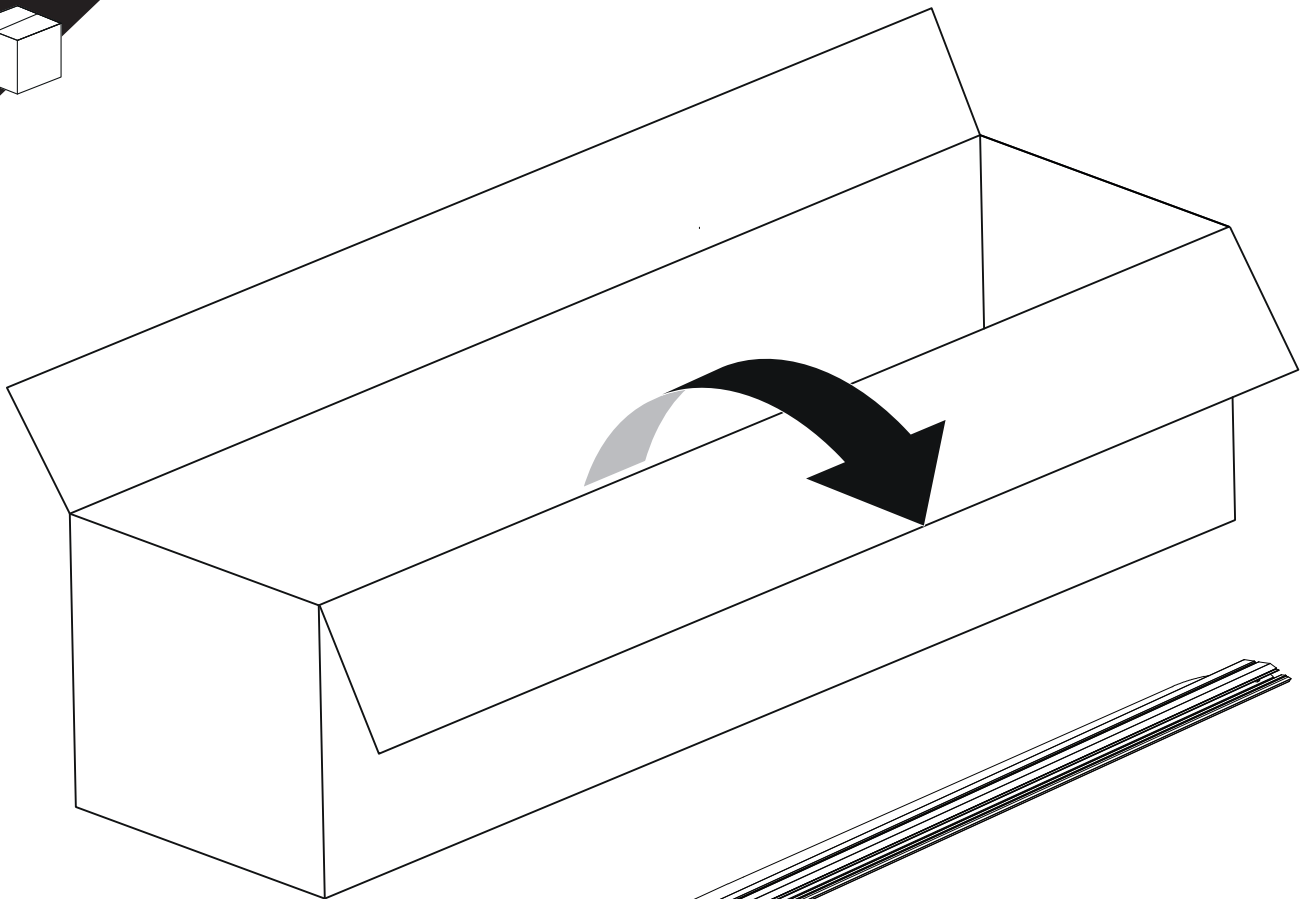
INSTALATION  
MANUAL  
+E-KIT



OWNERS  
MANUAL



x1

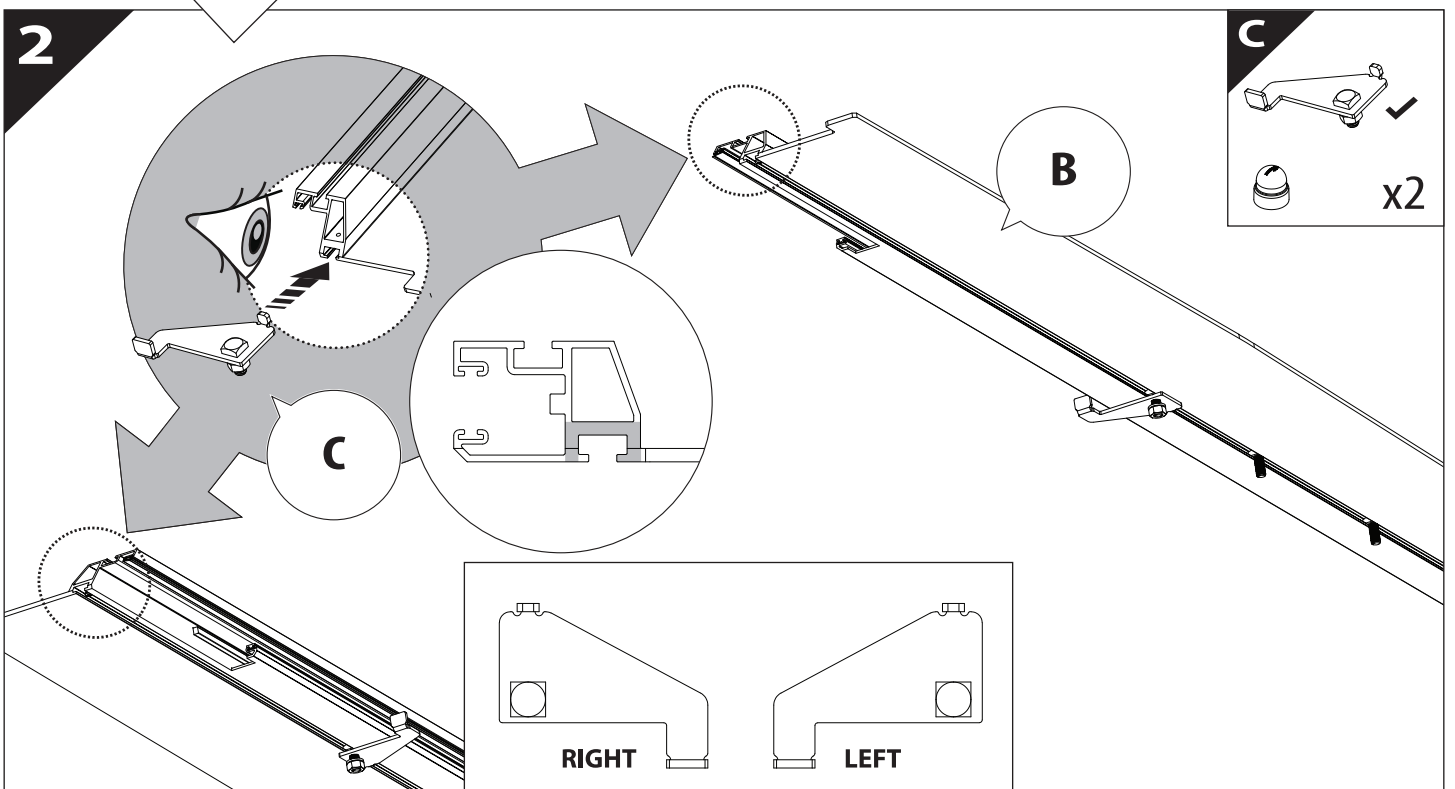
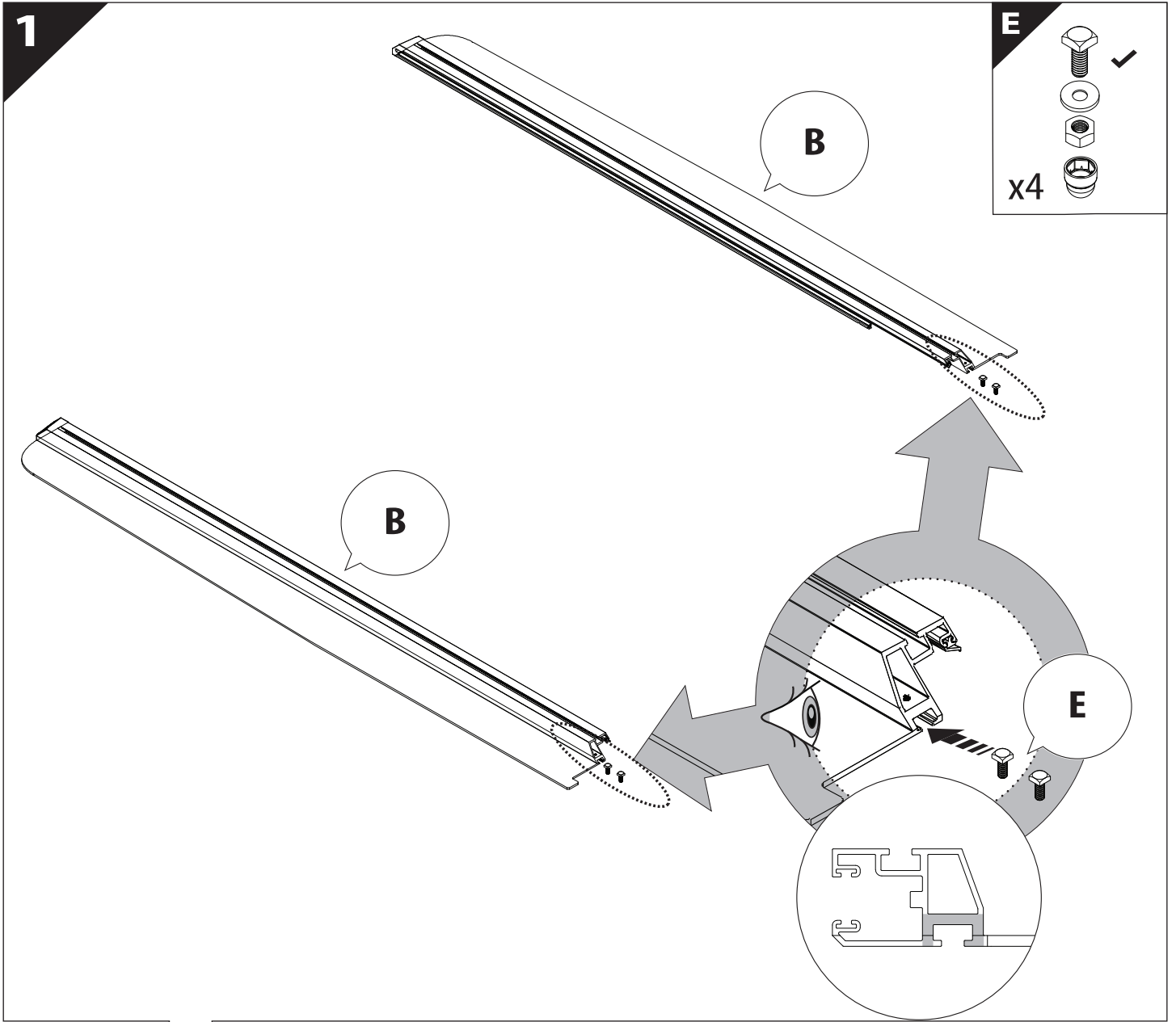


**B**

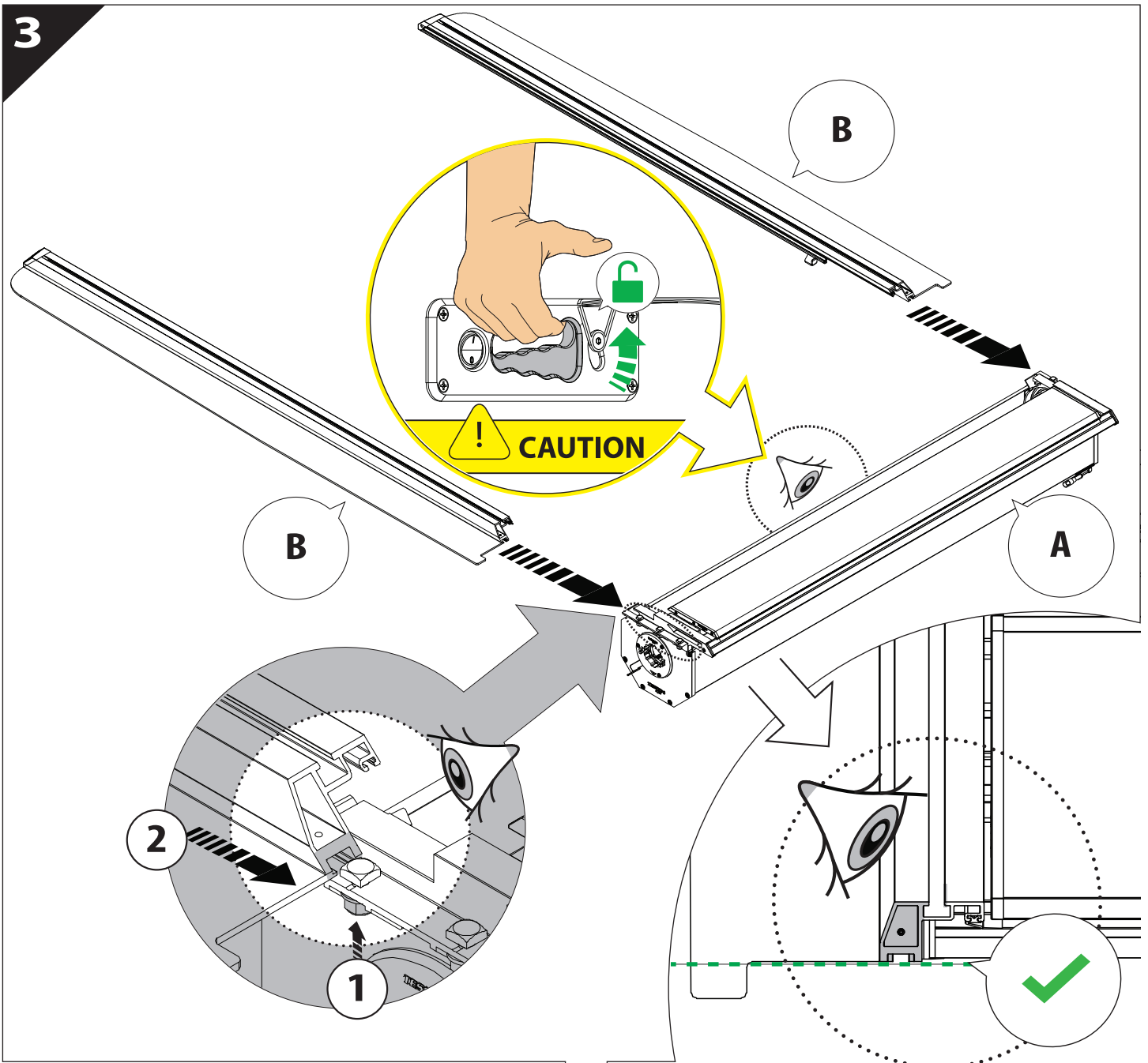
**A**

**KITS**

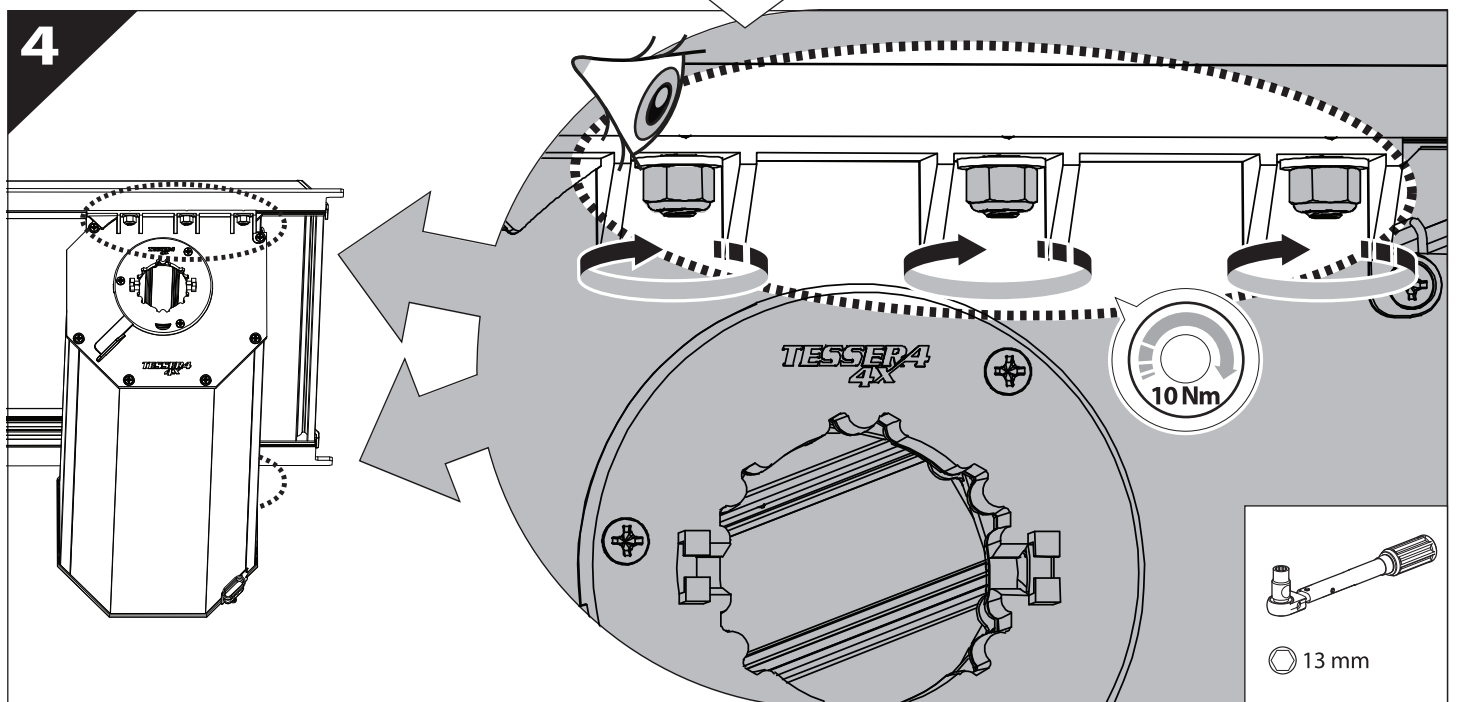
**L**

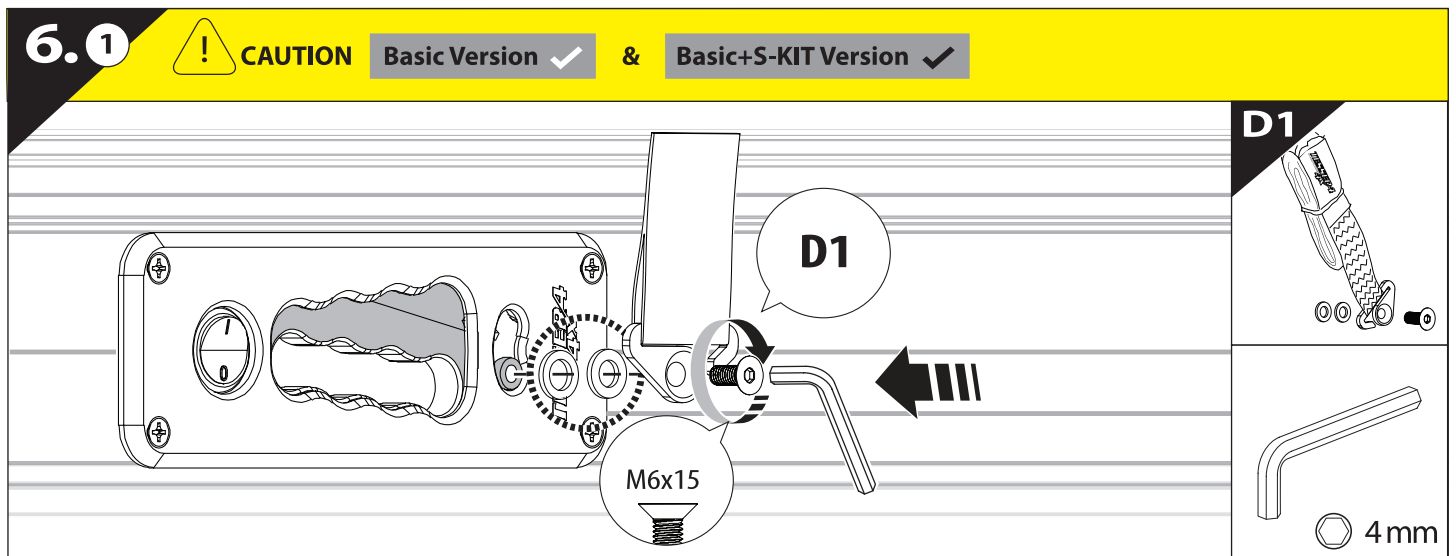
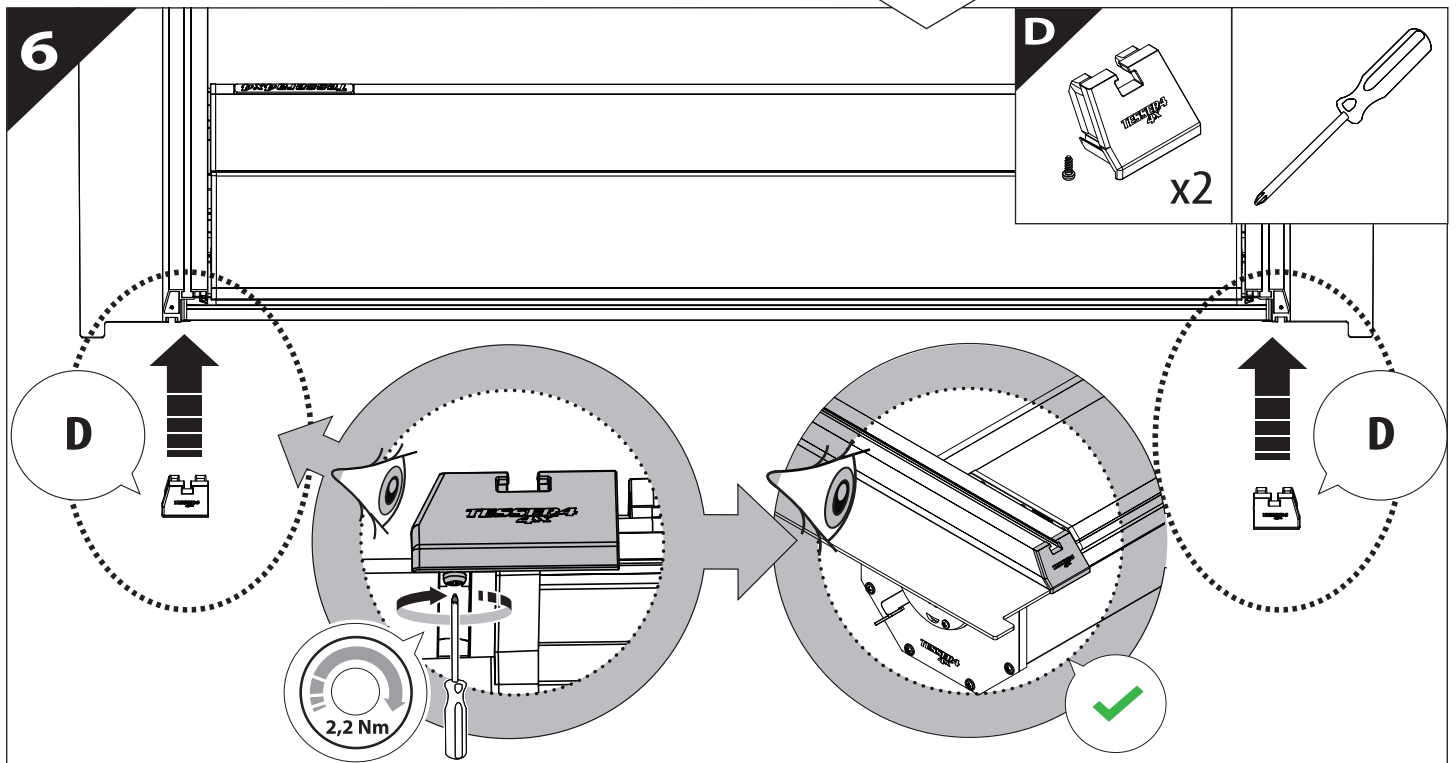
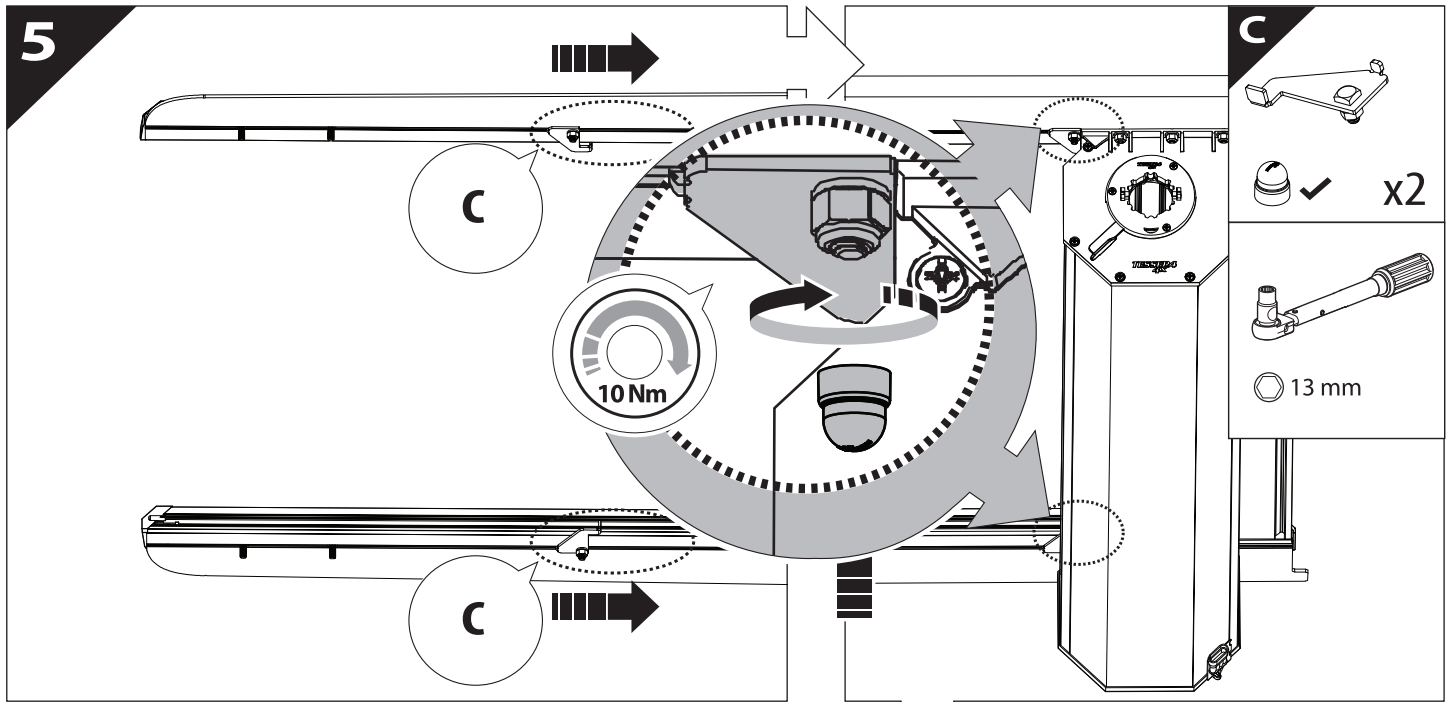


3

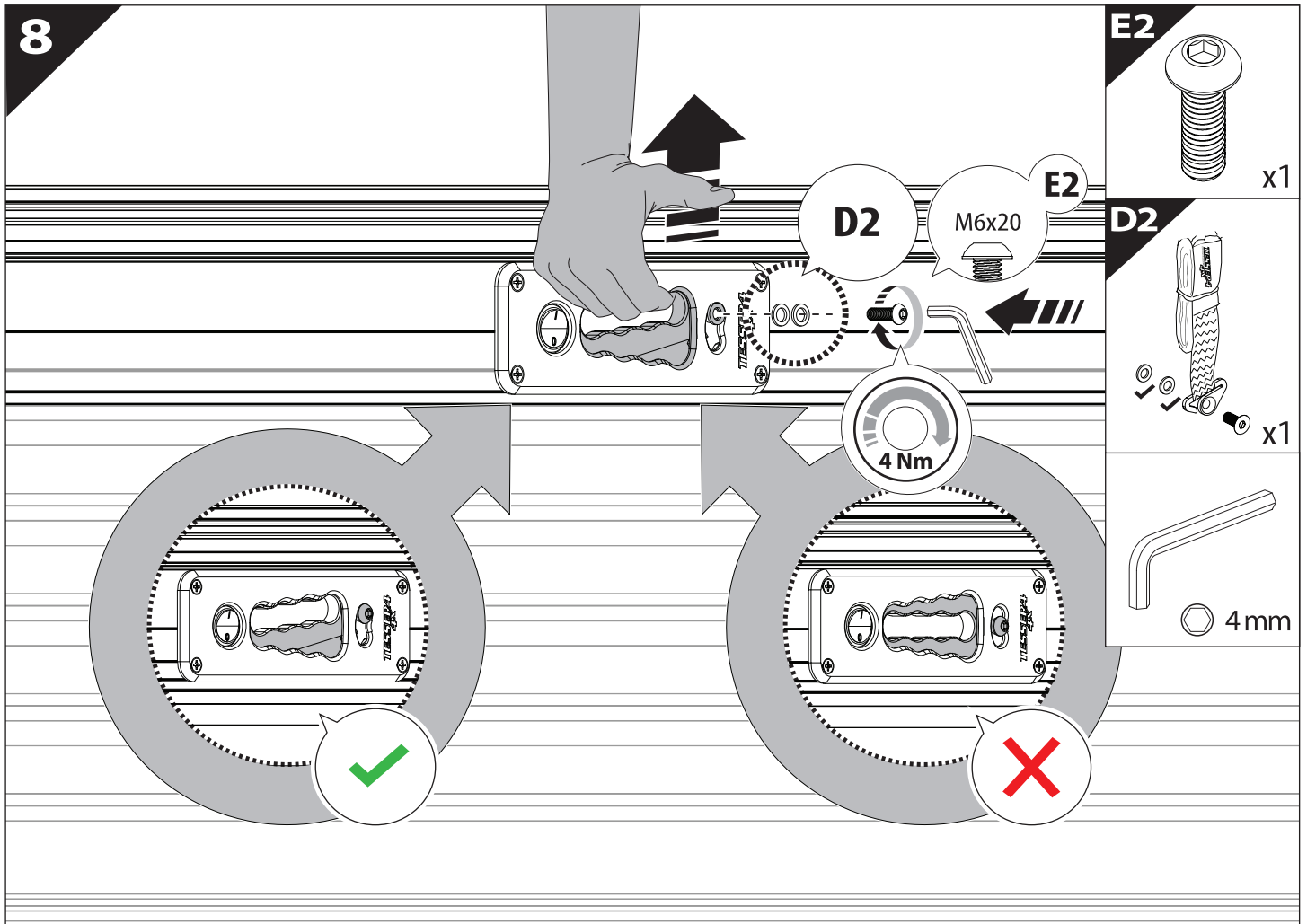
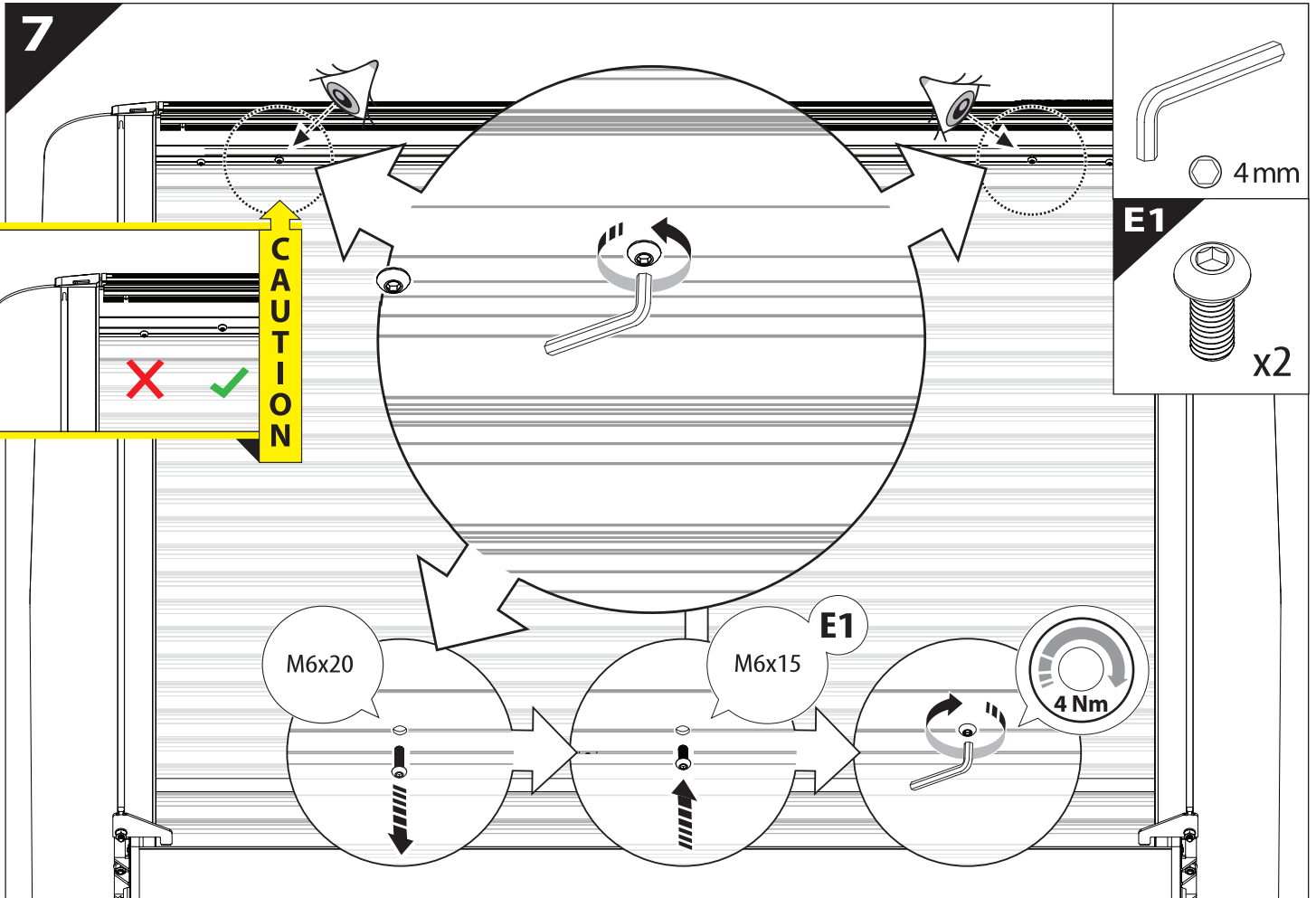


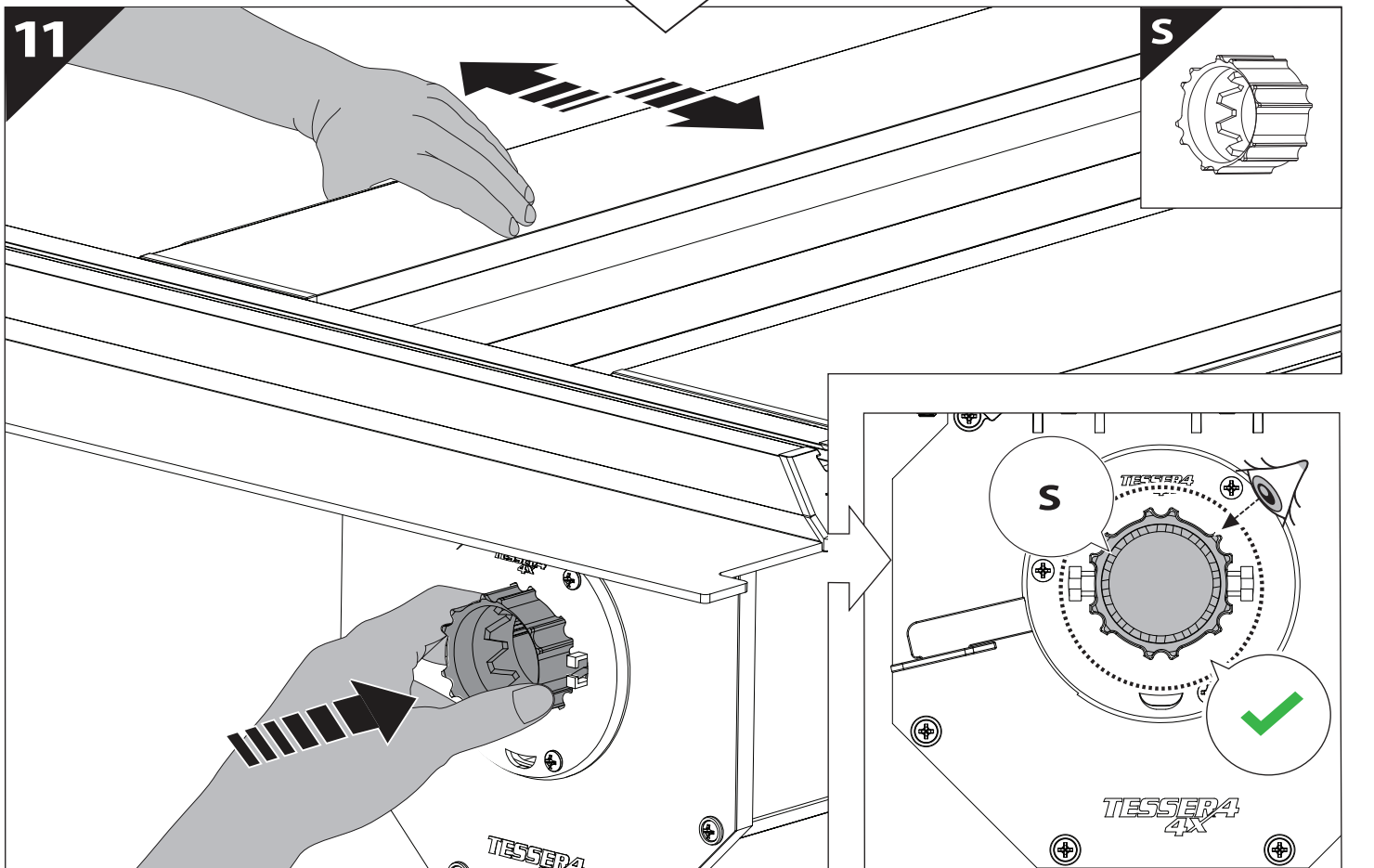
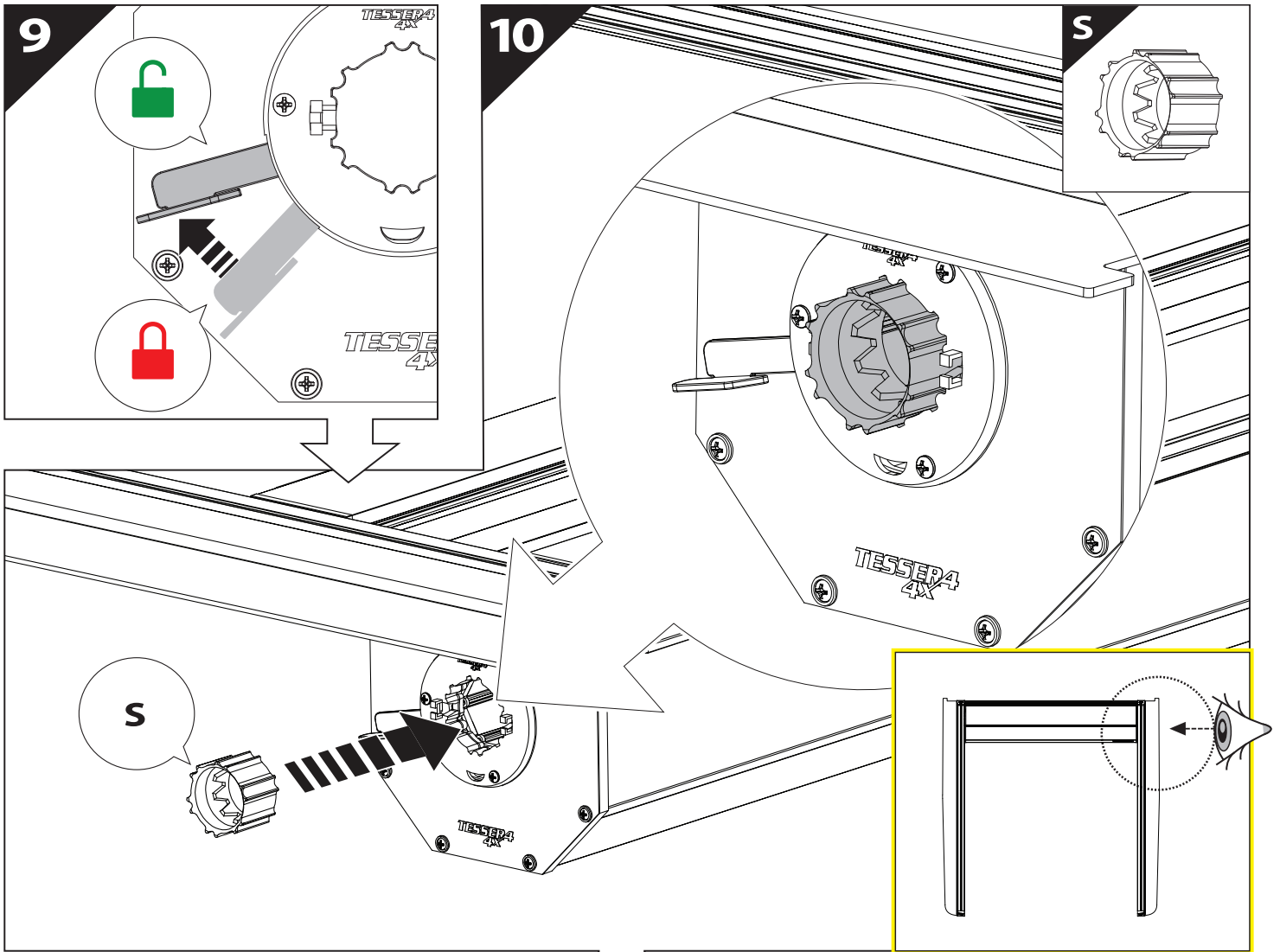
4

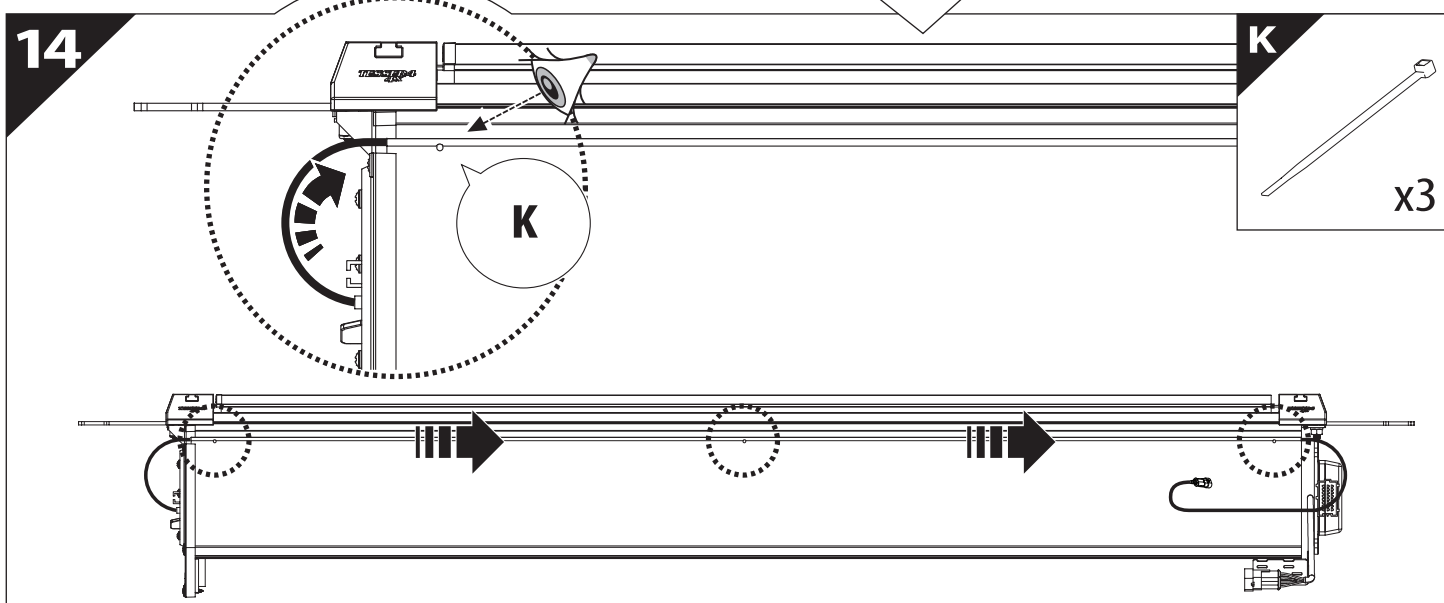
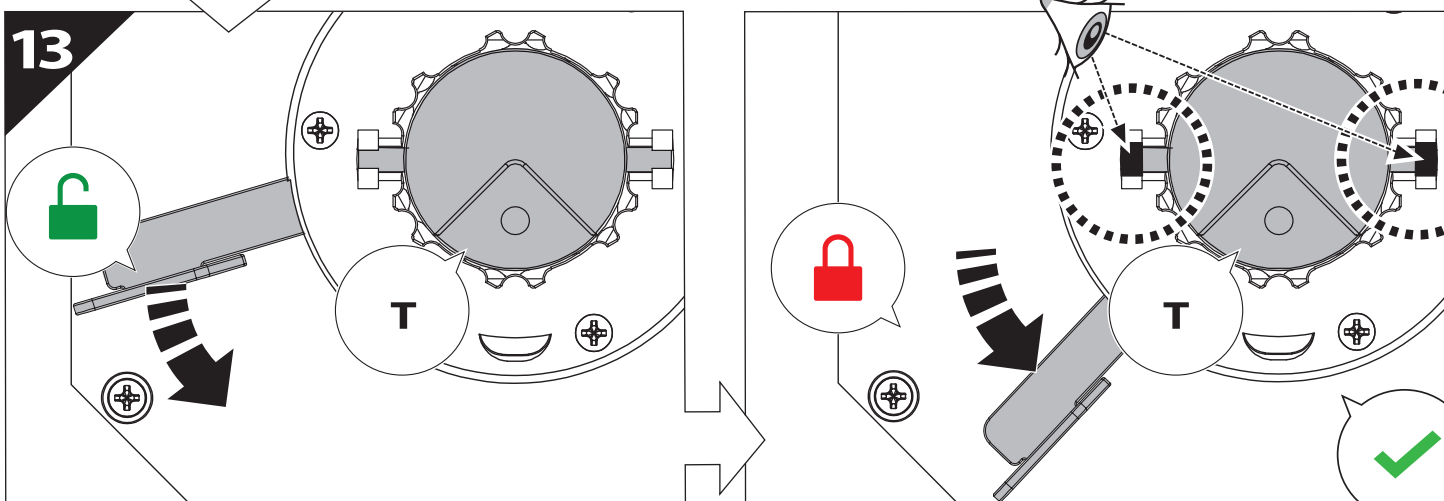
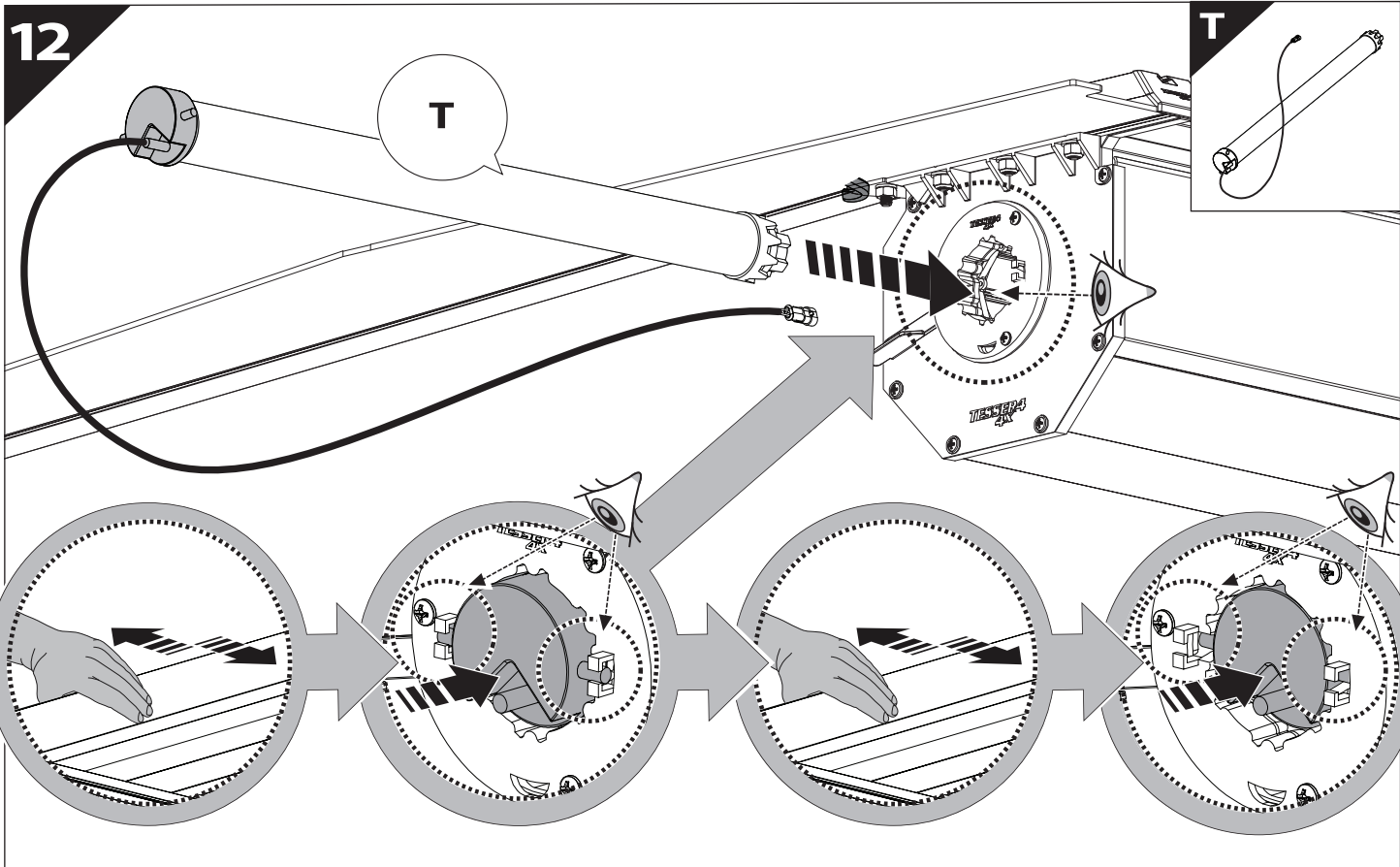




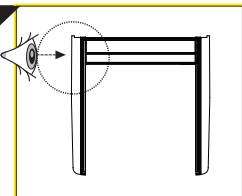




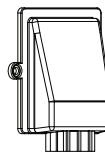




15



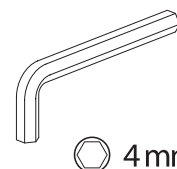
R



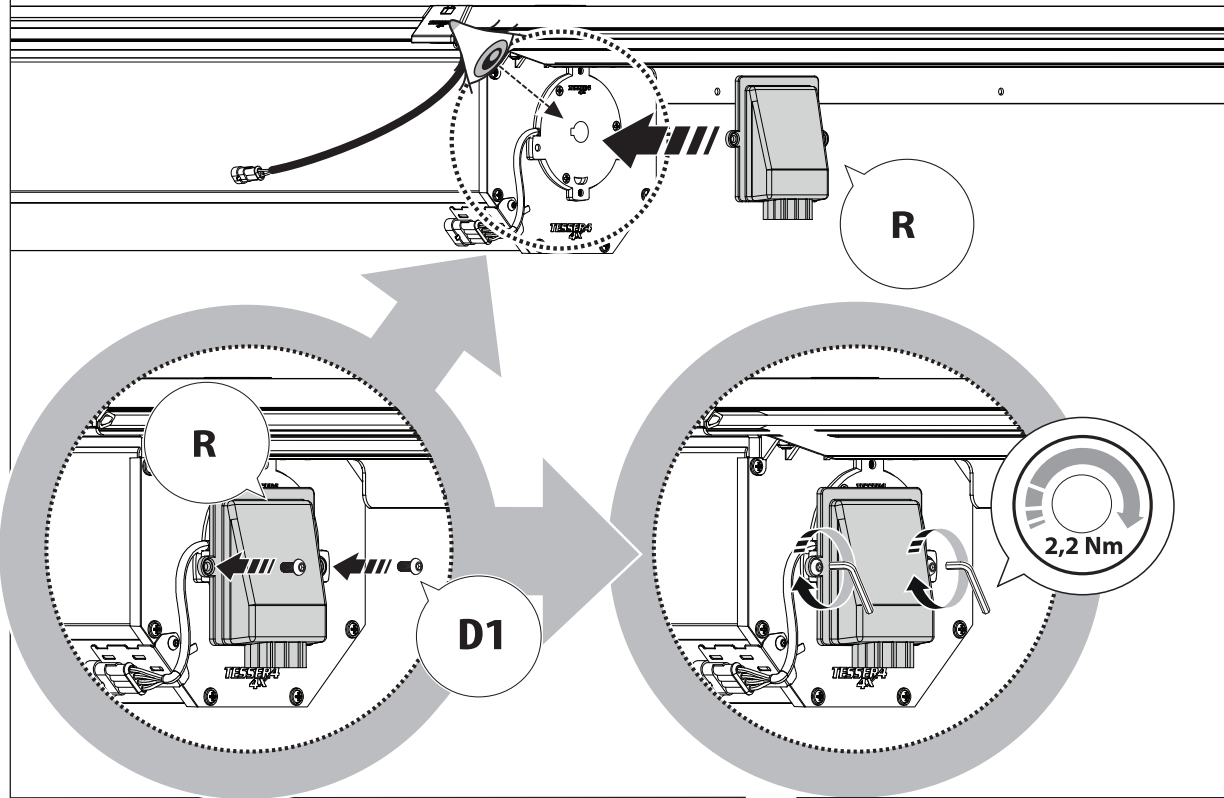
D1



x2

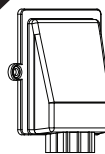


4 mm

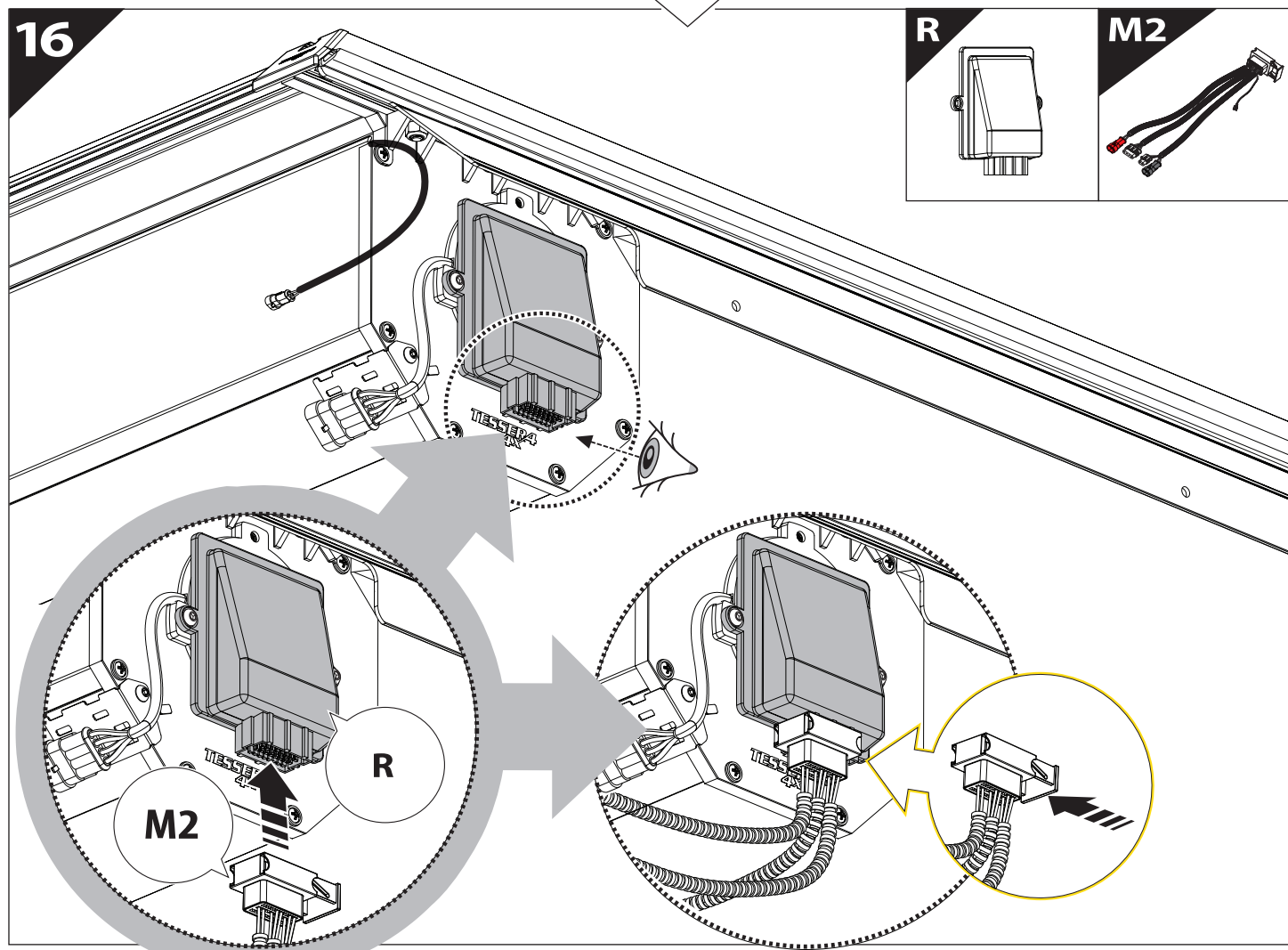


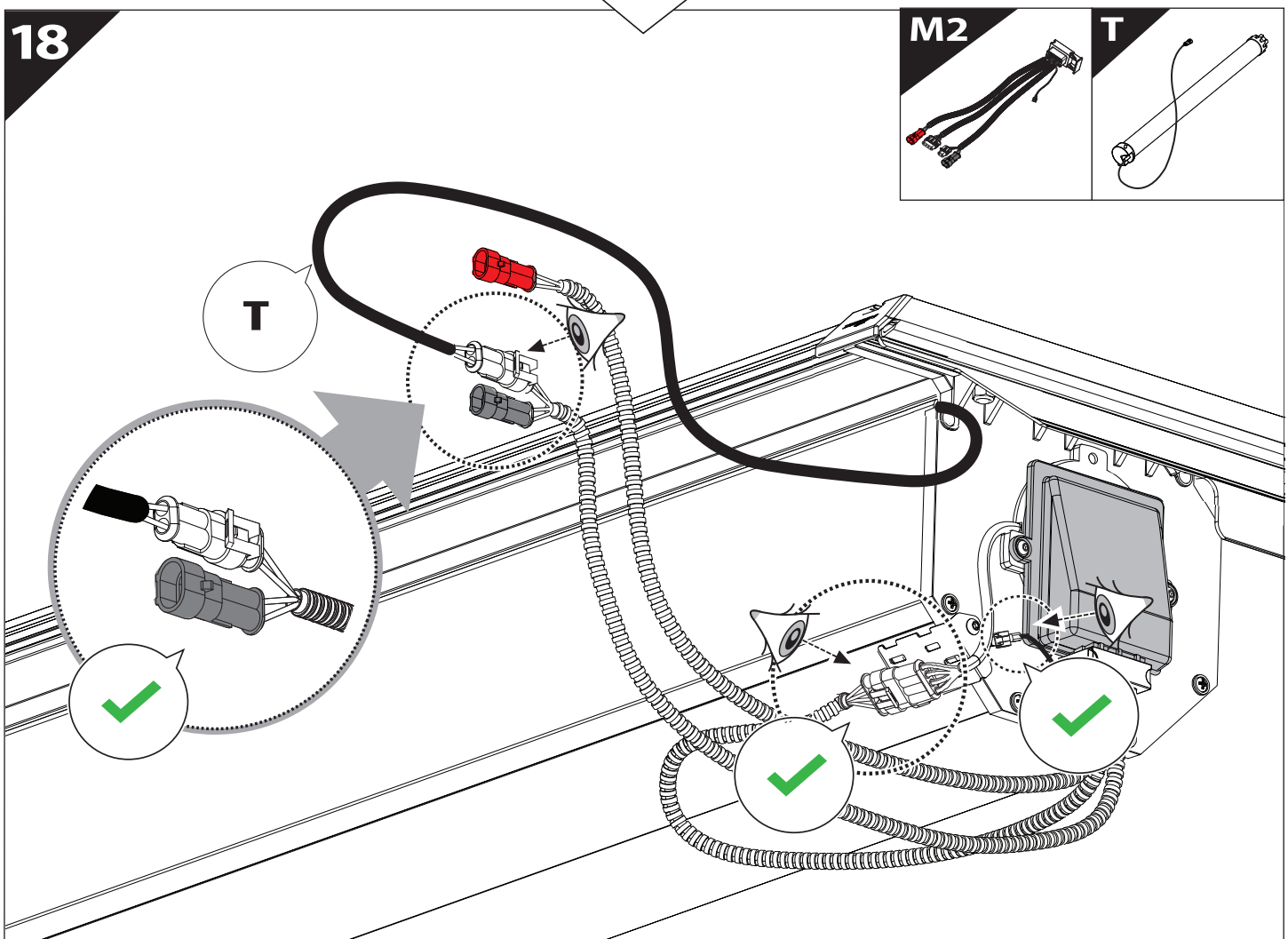
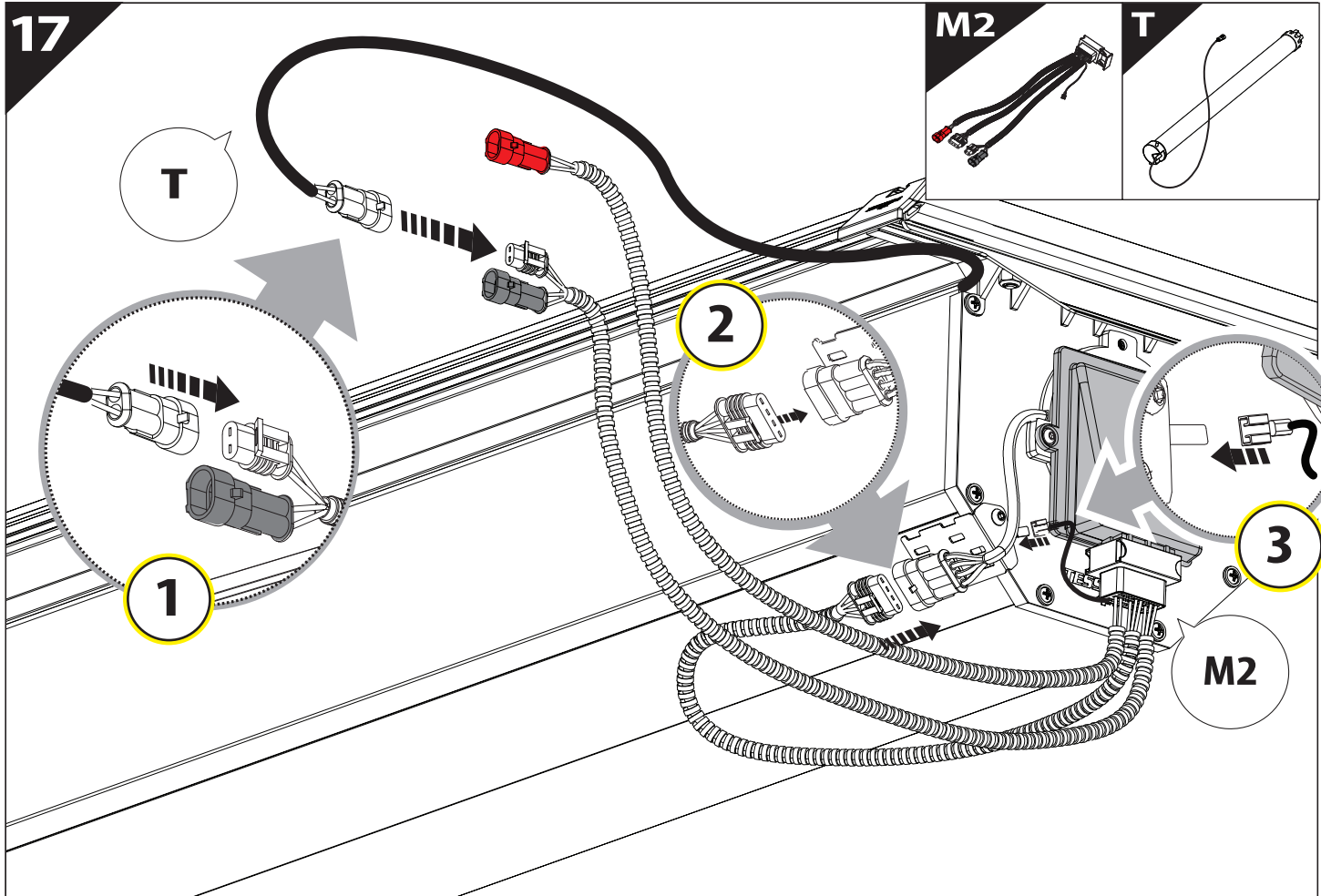
16

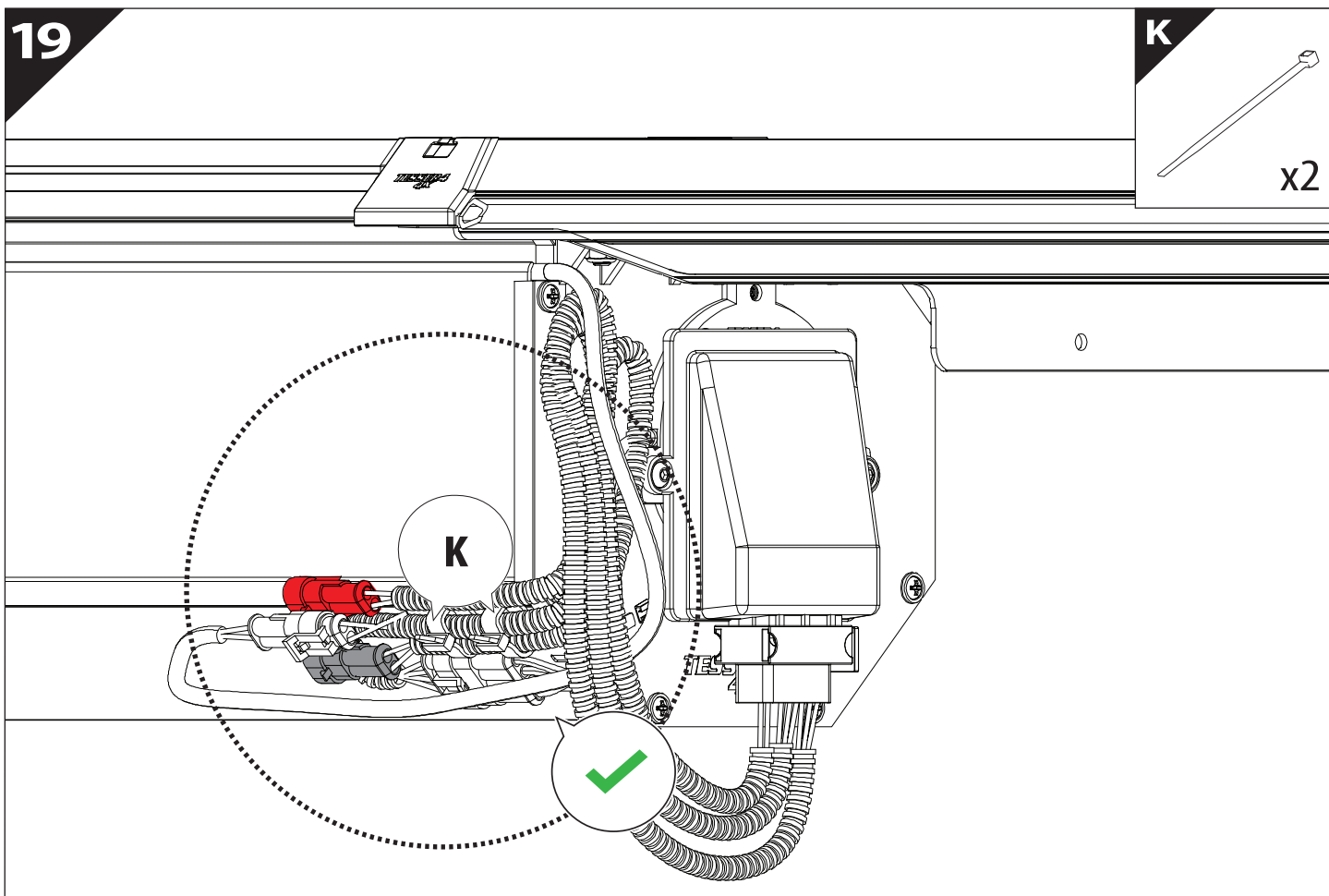
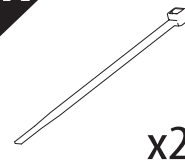
R



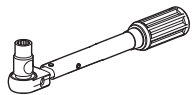
M2





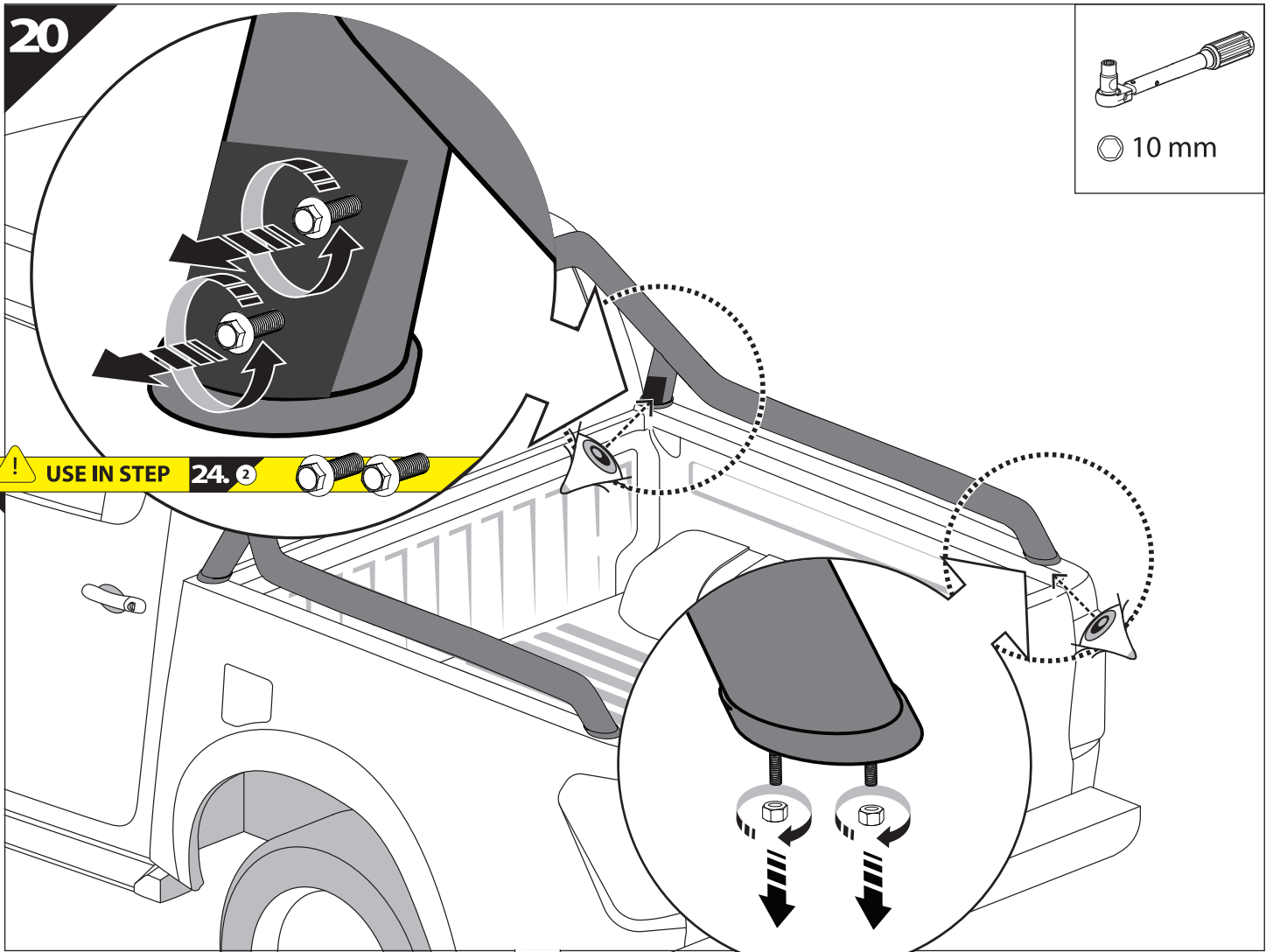


20



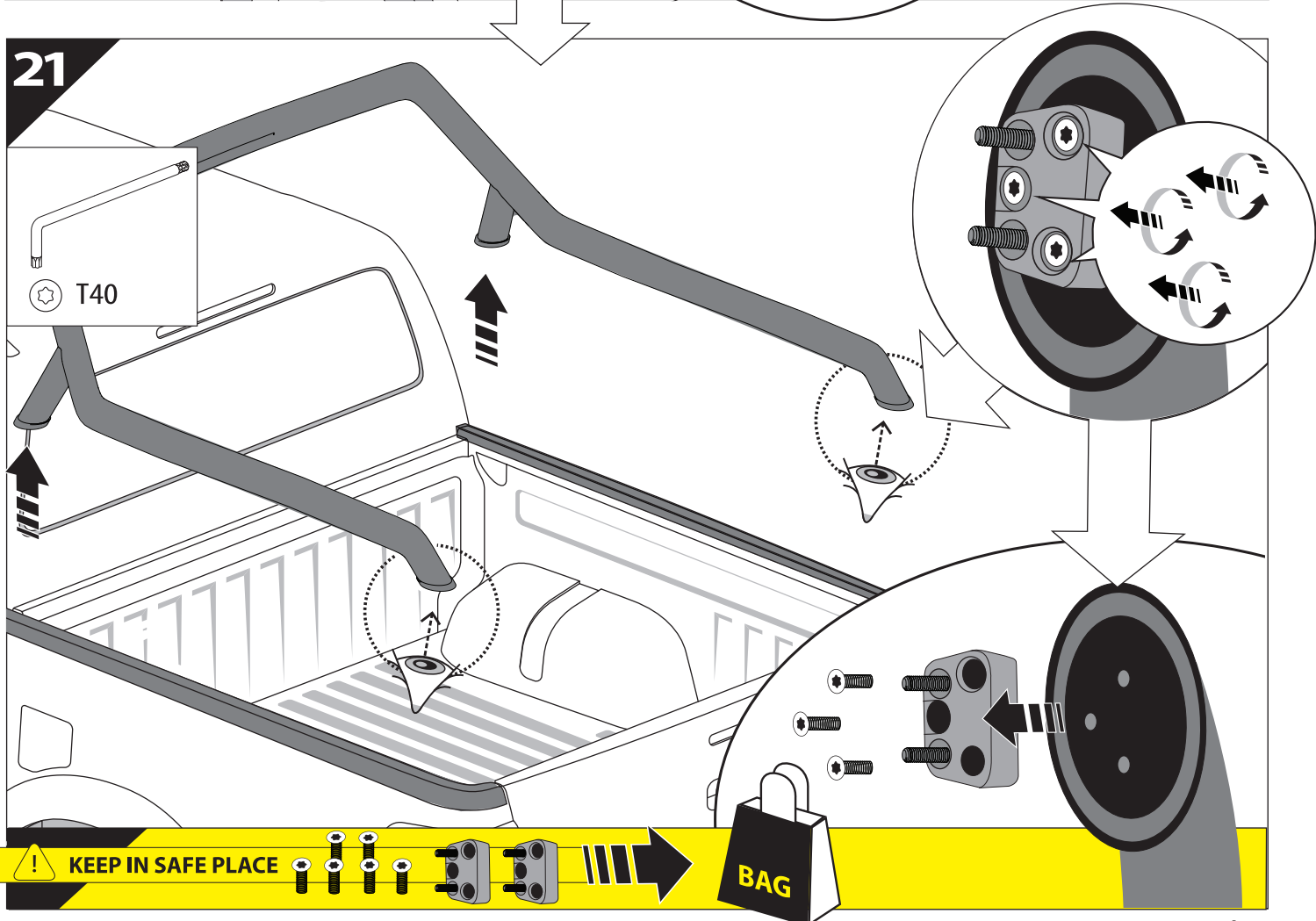
10 mm

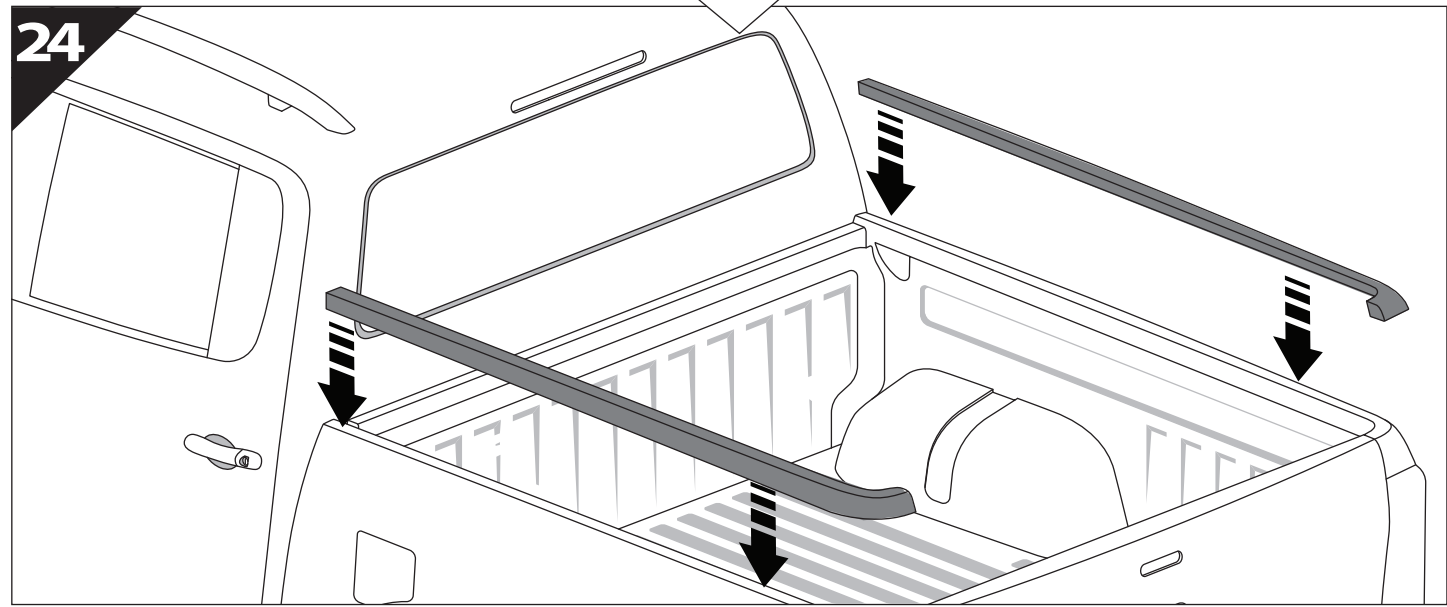
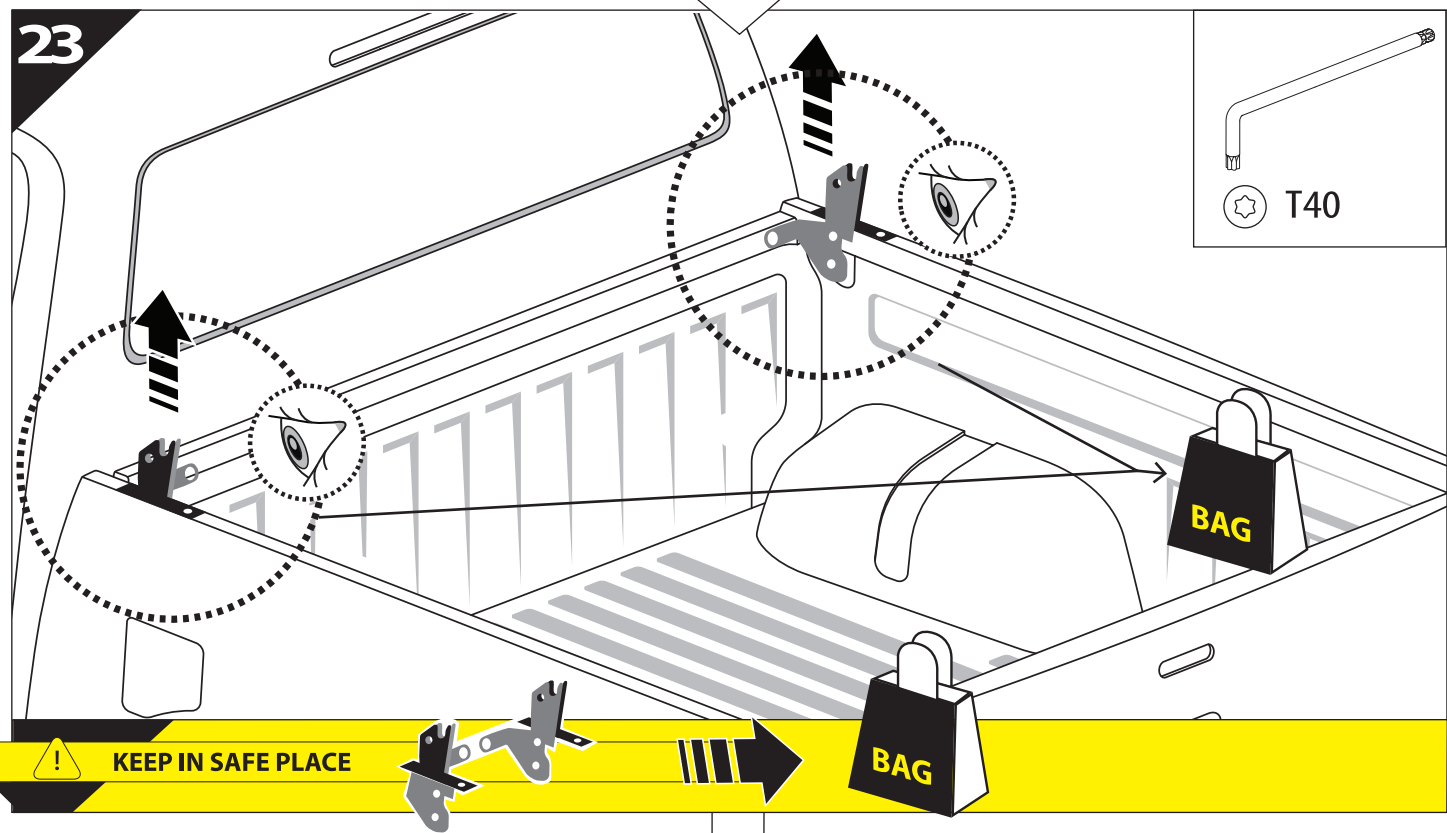
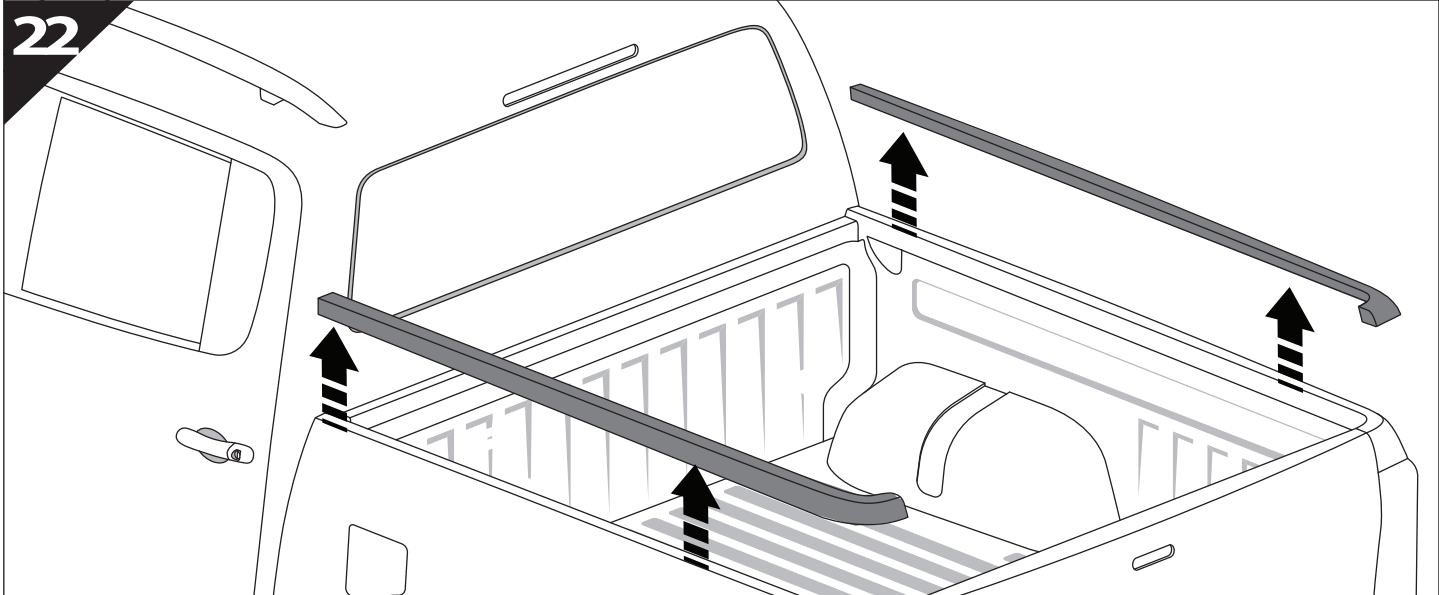
**! USE IN STEP 24.**



21

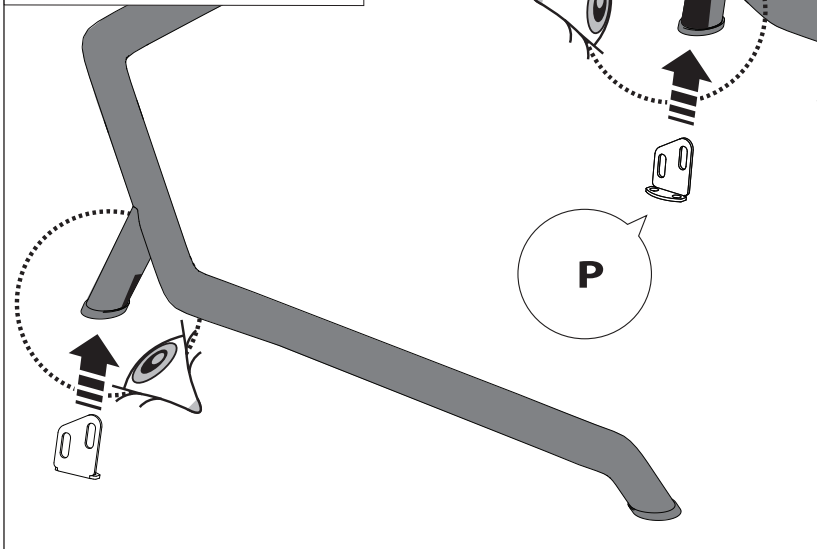
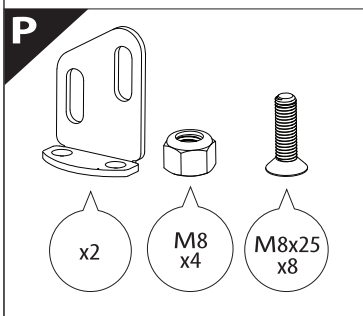
T40



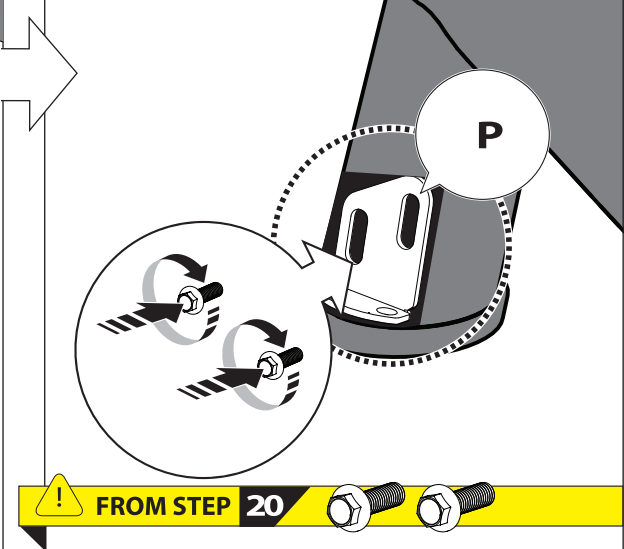
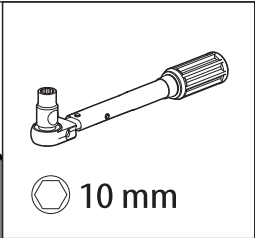


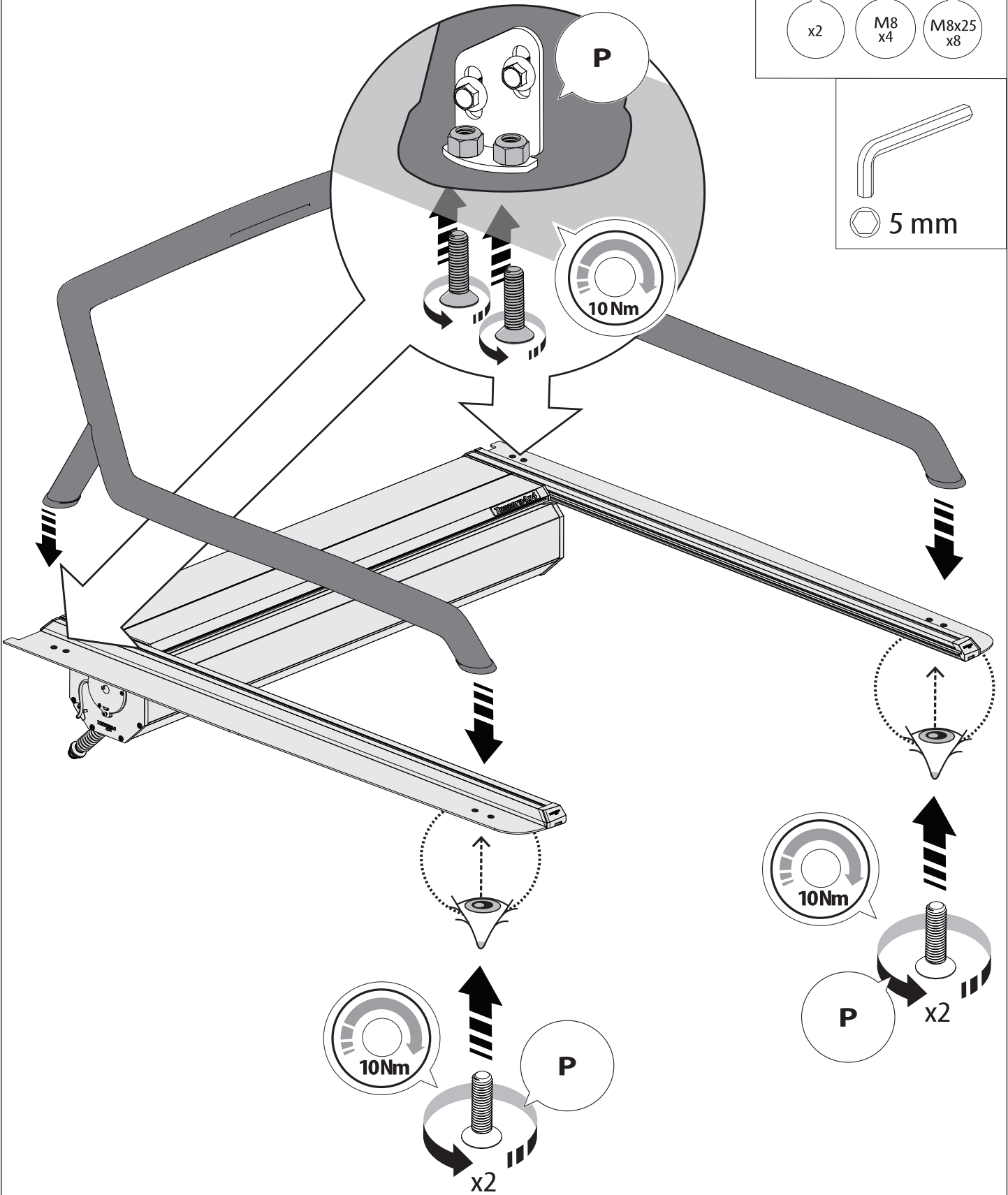
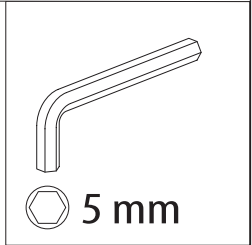
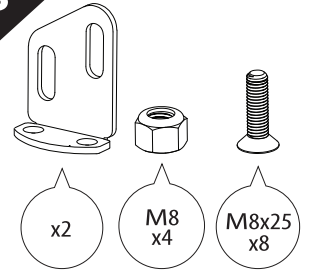


# 24.1

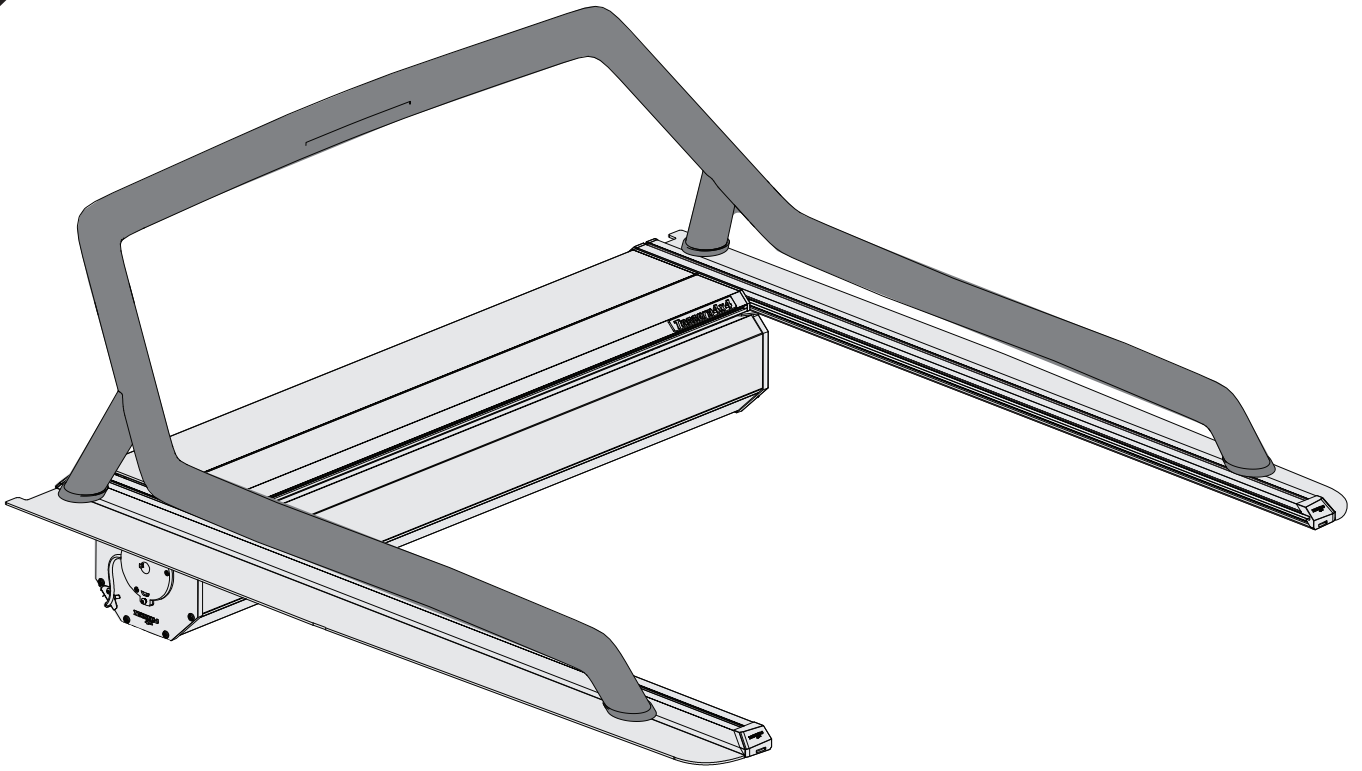


# 24.2

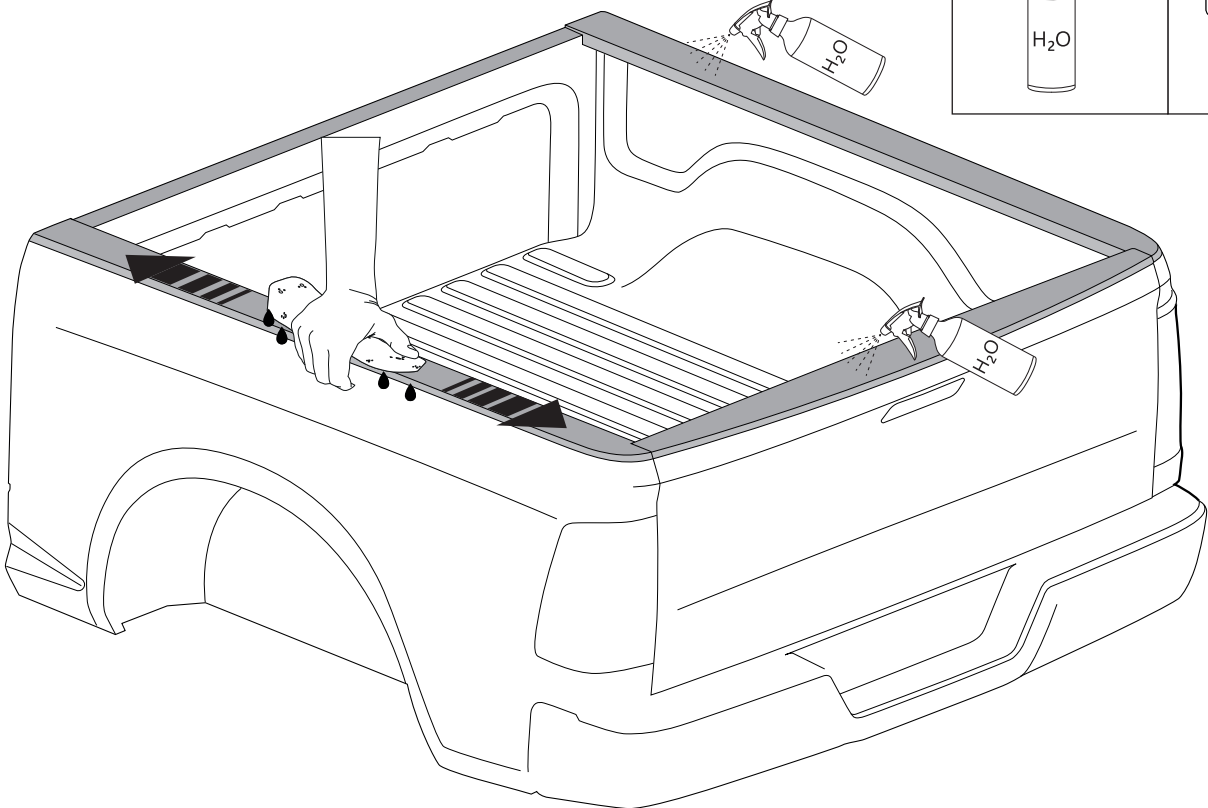




26

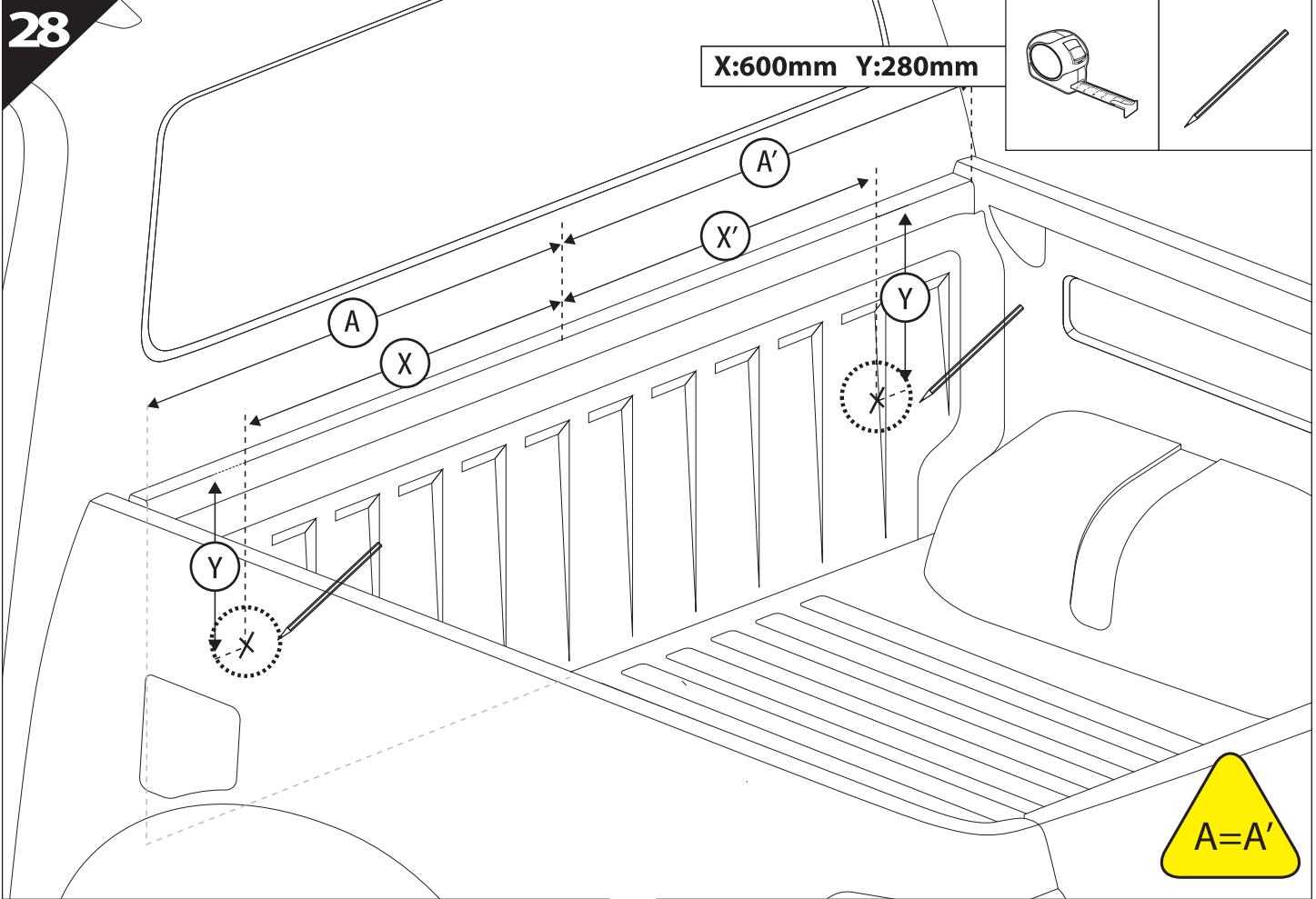
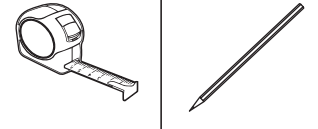


27

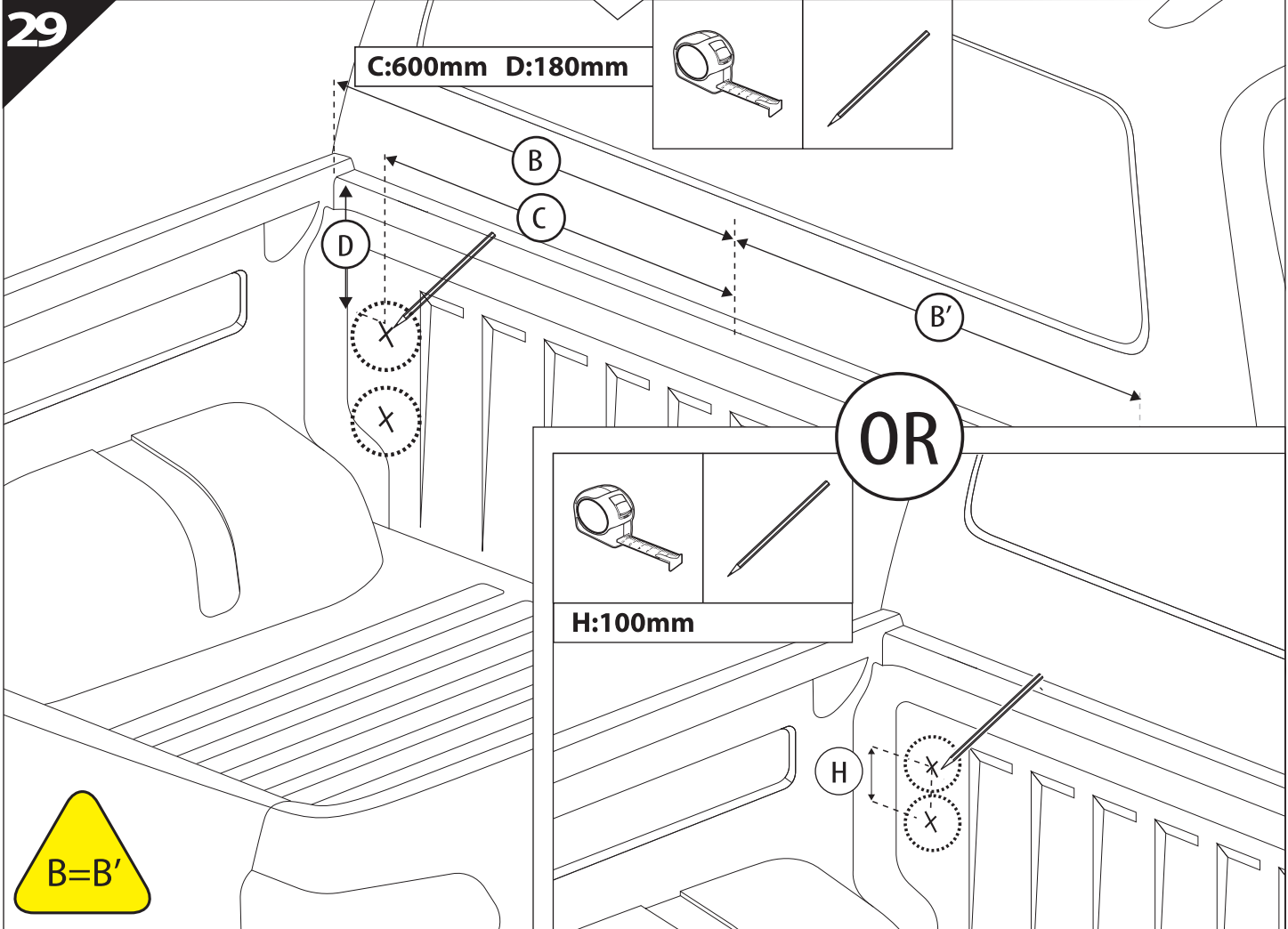
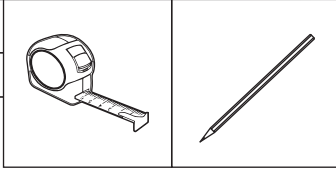


28

X:600mm Y:280mm



C:600mm D:180mm



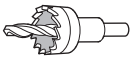
30

**CAUTION**

**CAUTION**

max: 2 mm

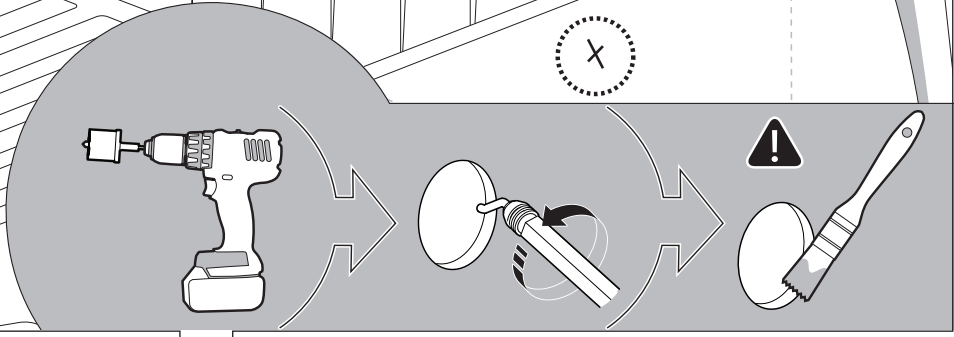
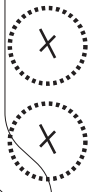
5 mm



Ø 25 mm

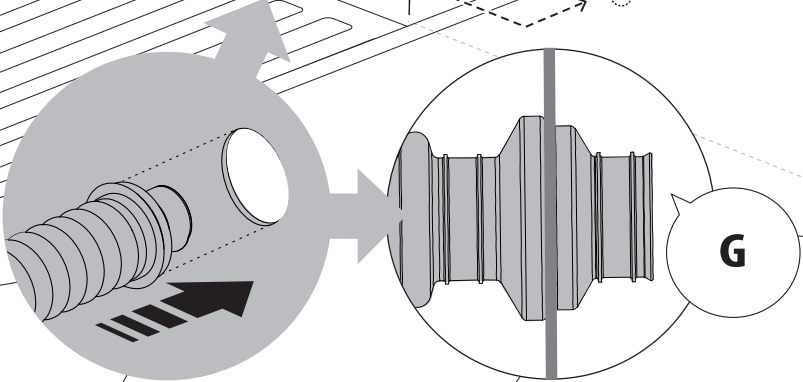
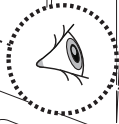
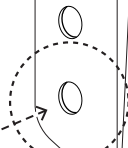


Rust Protection



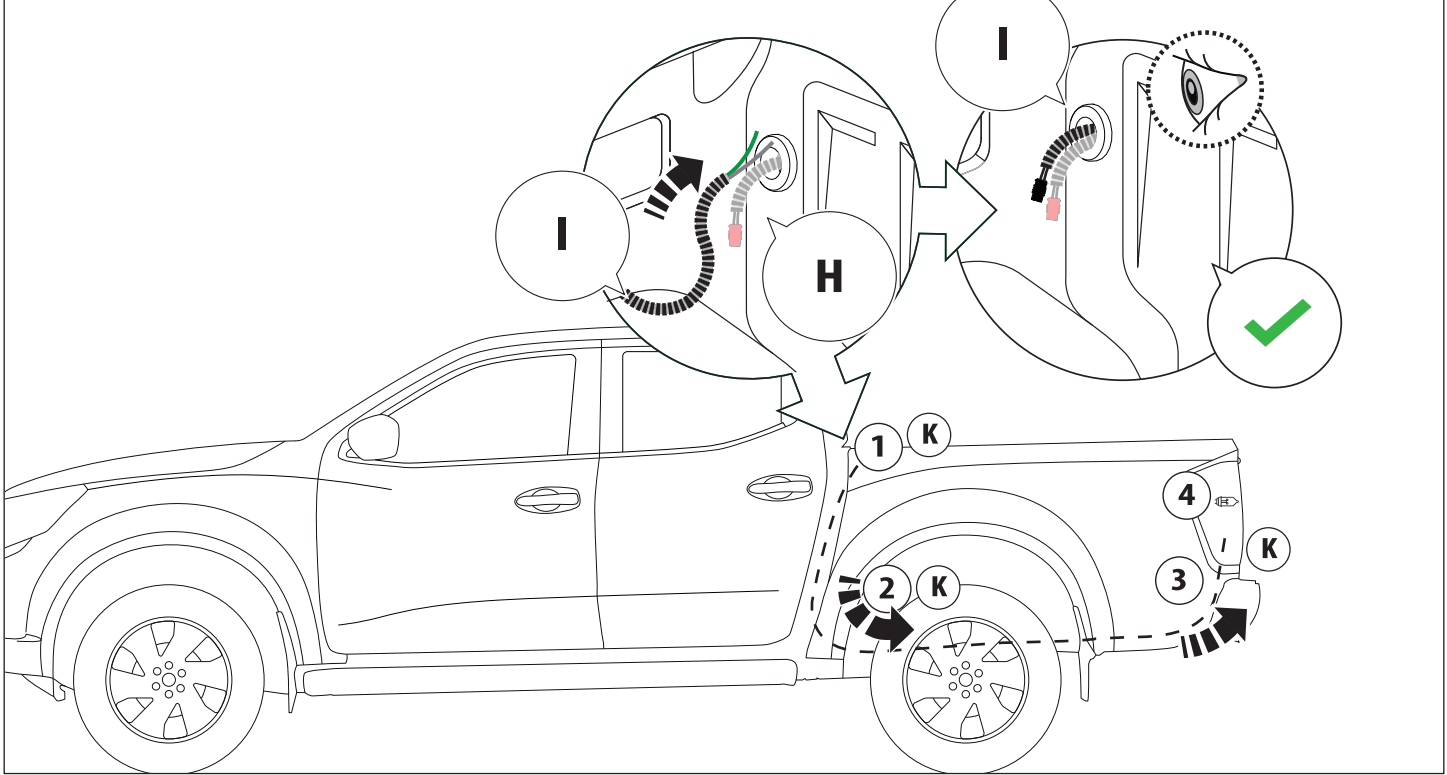
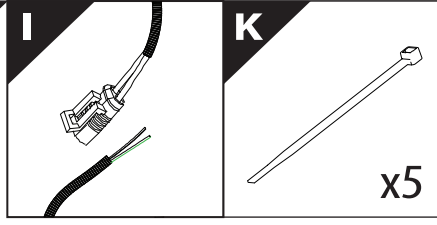
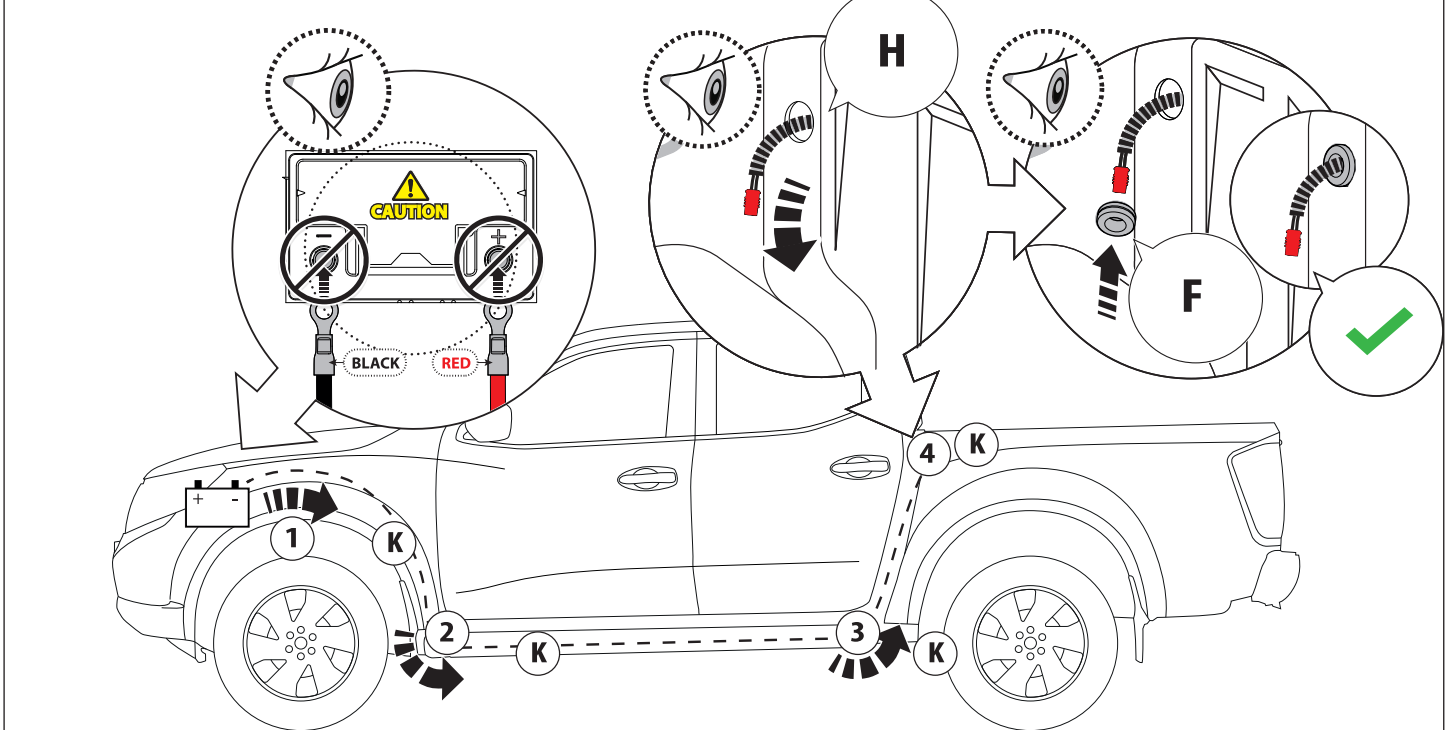
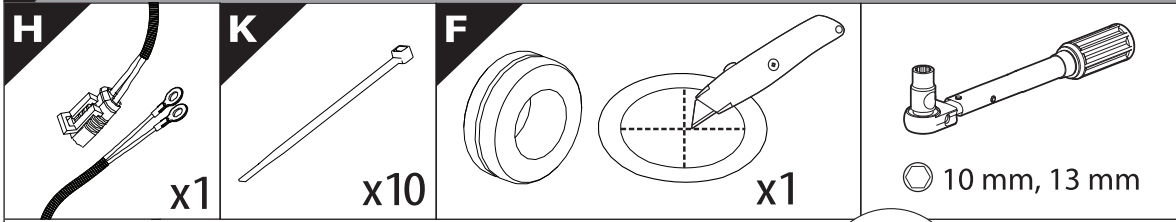
31

**G**

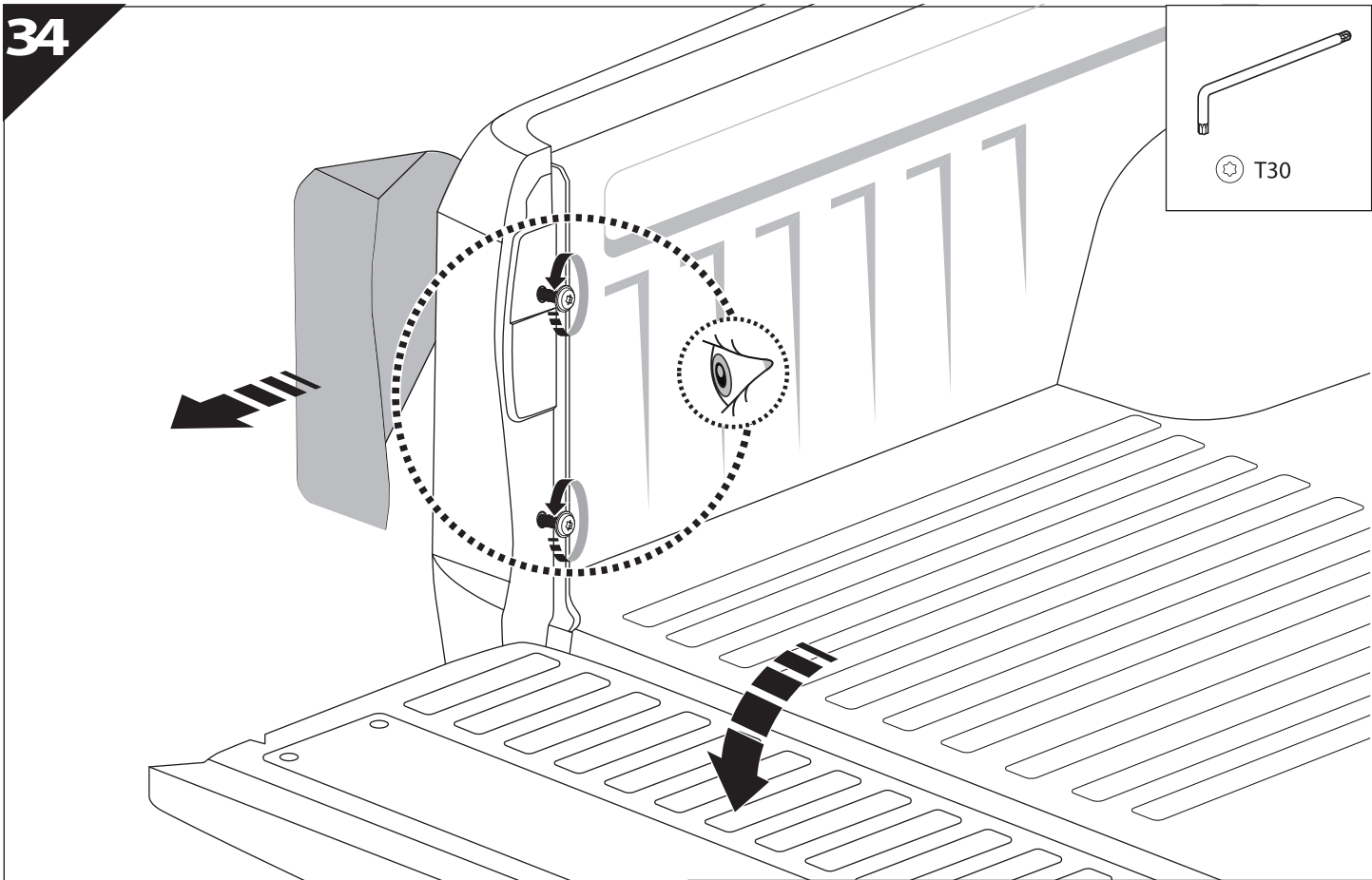


**G**

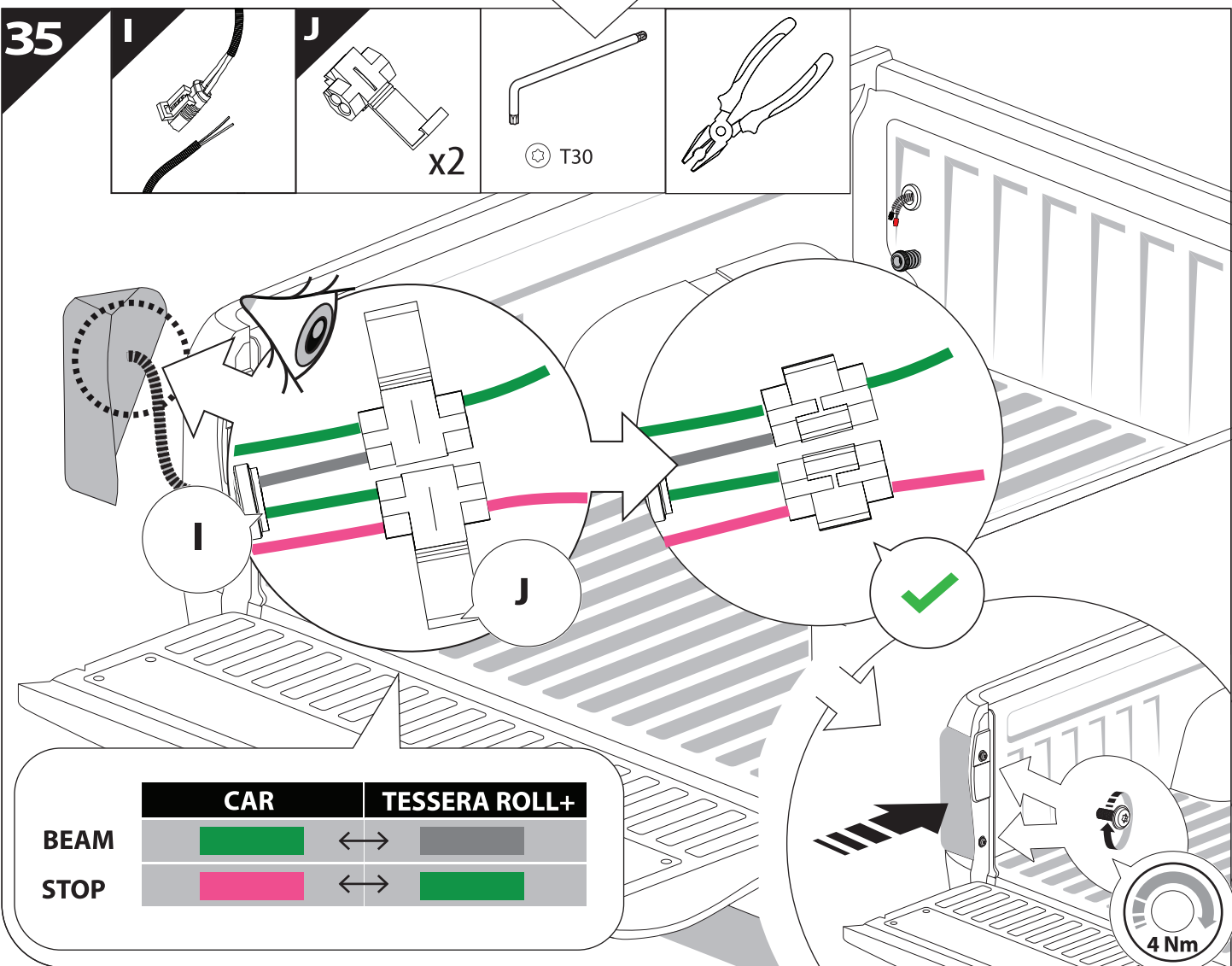
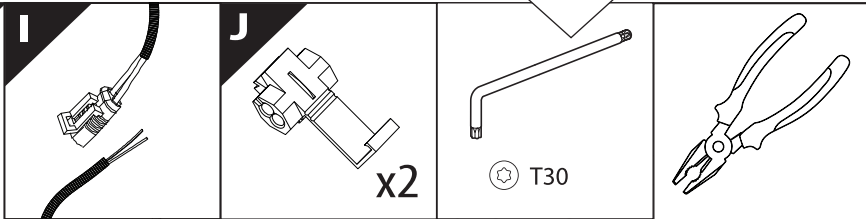
Only to be installed by authorized personnel



34

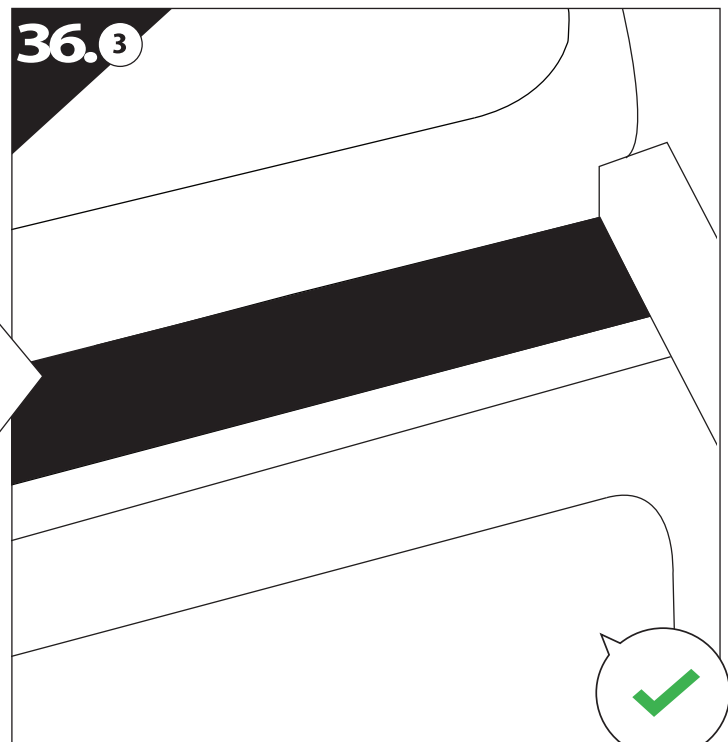
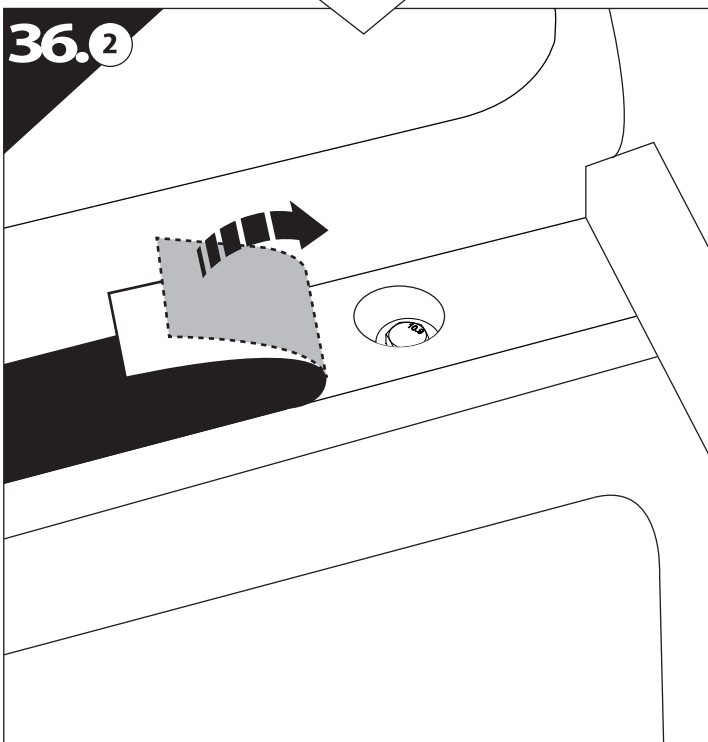
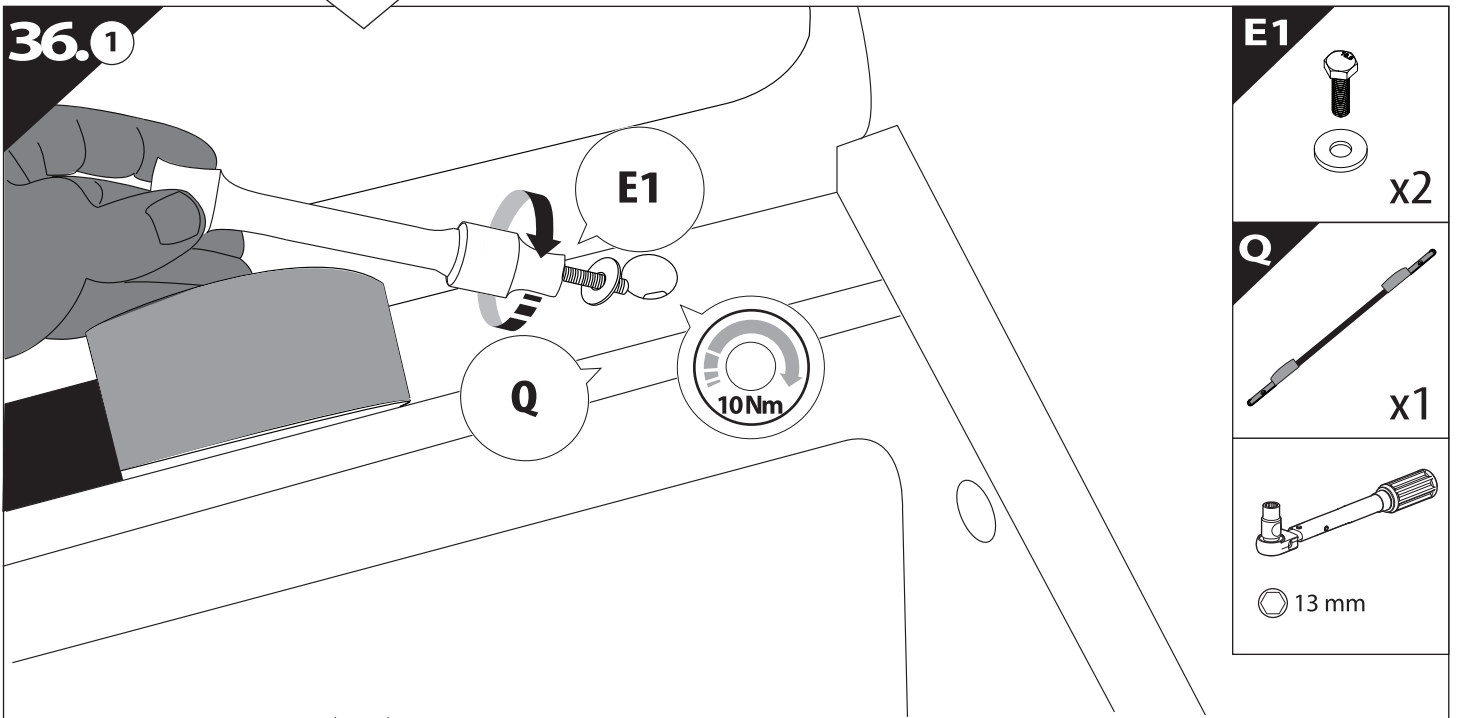
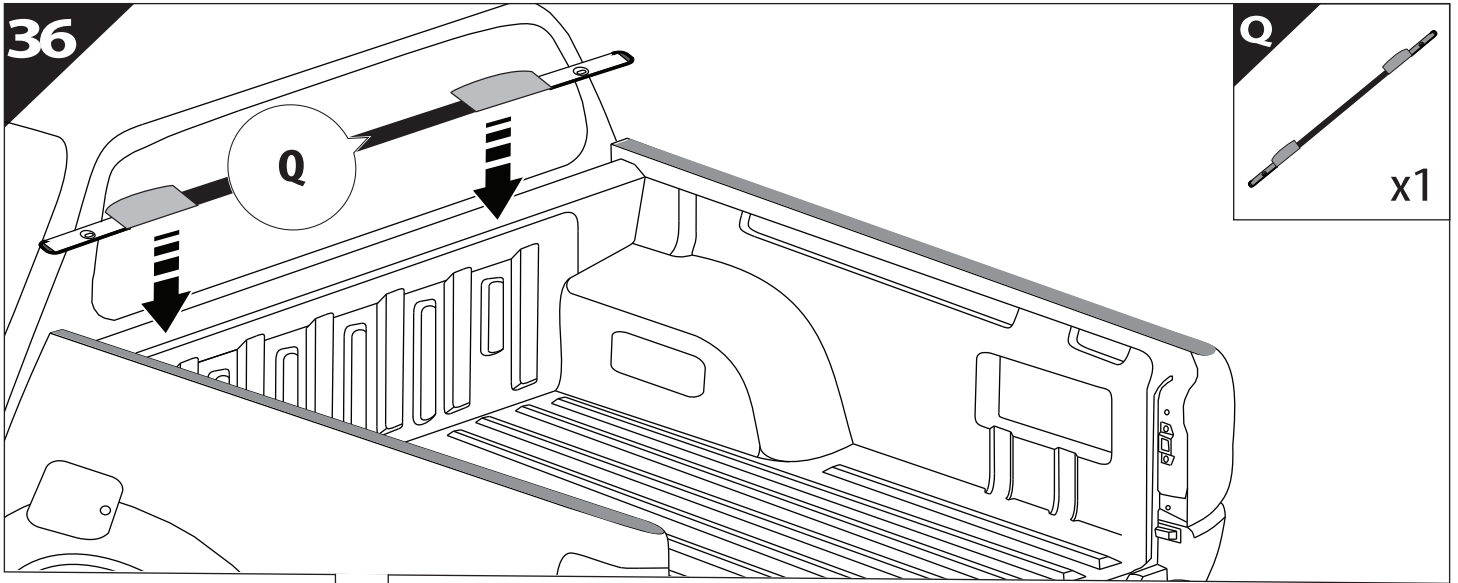


35



	CAR		TESSERA ROLL+
BEAM		↔	
STOP		↔	

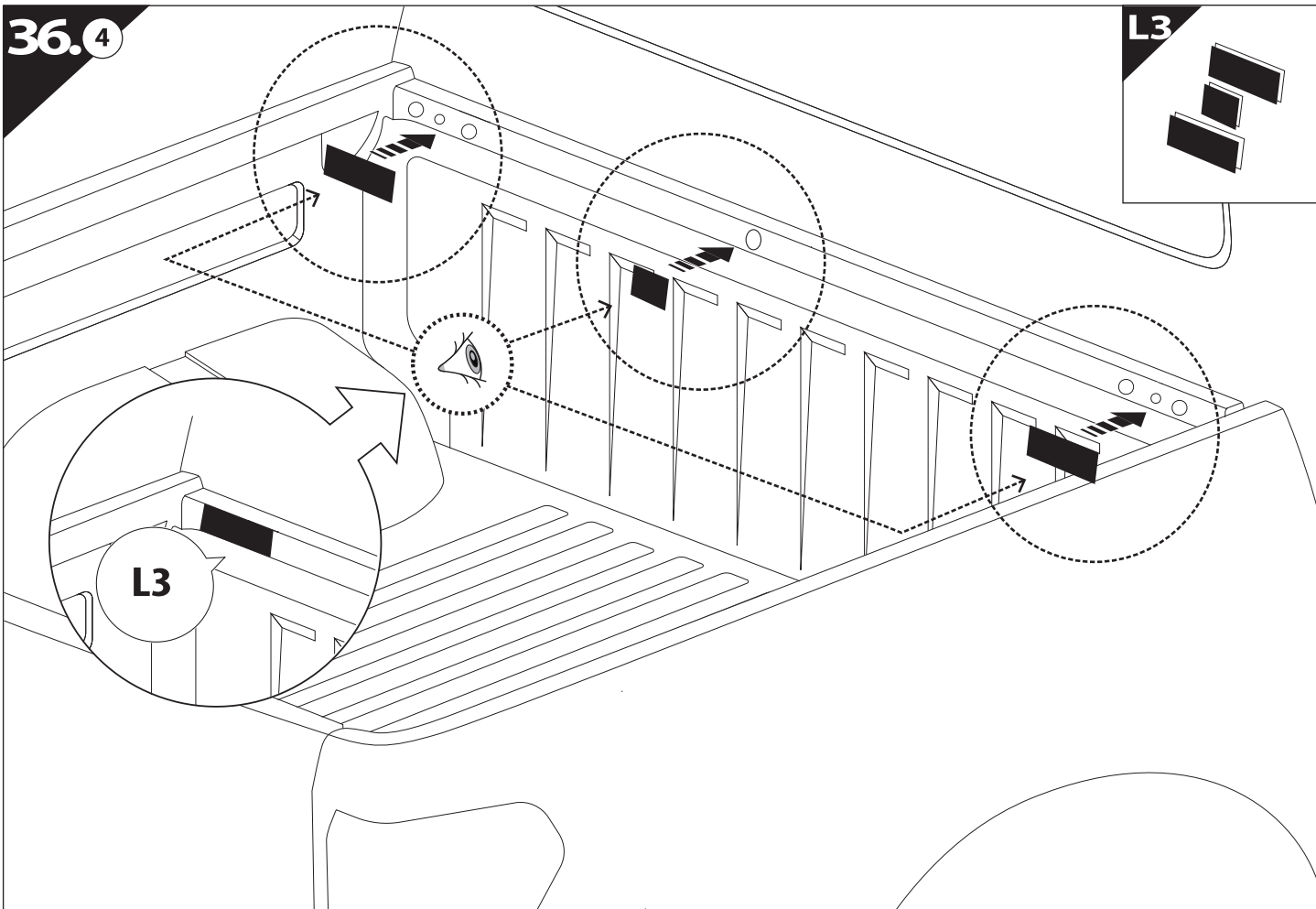
4 Nm





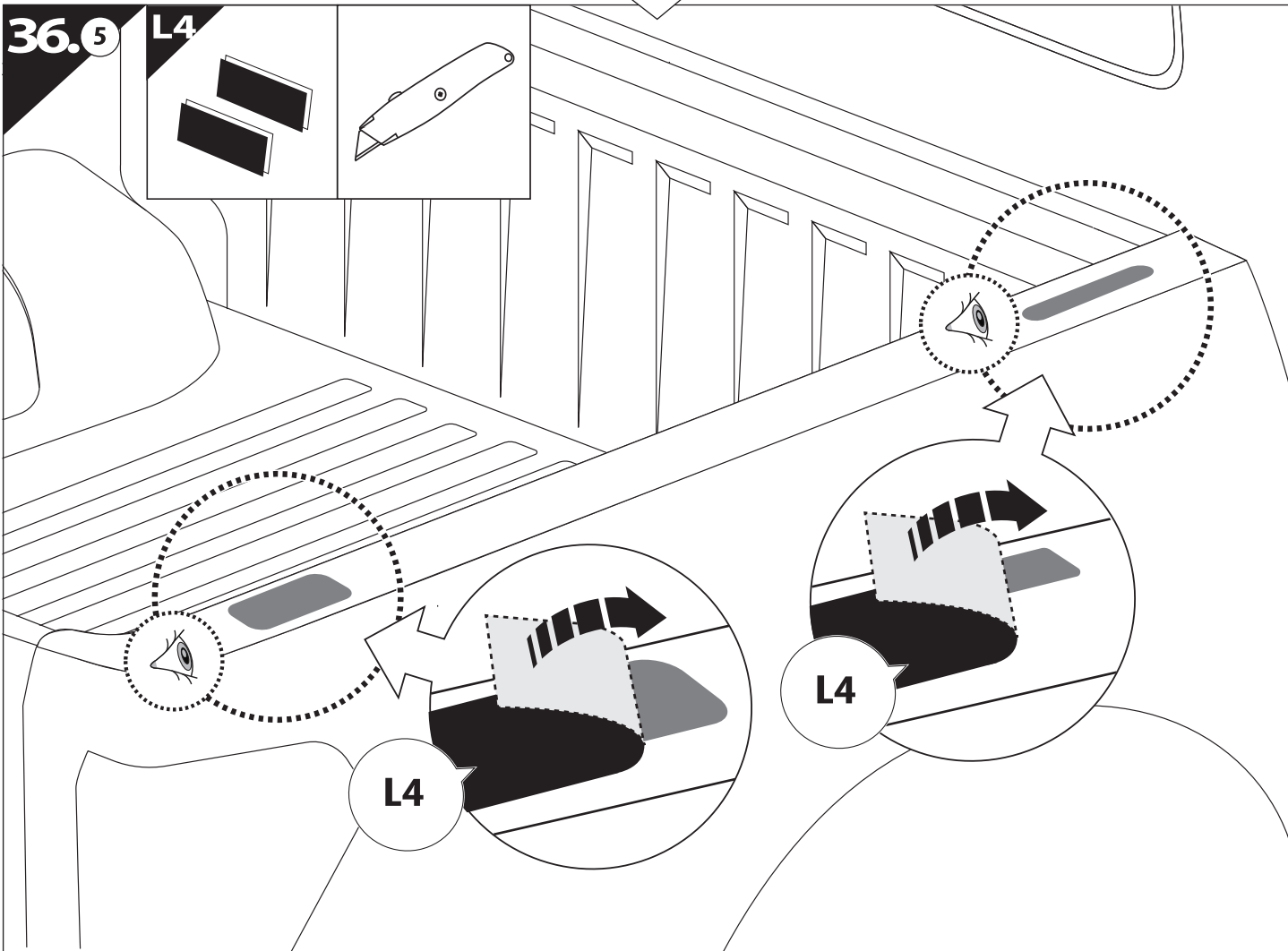
36.4

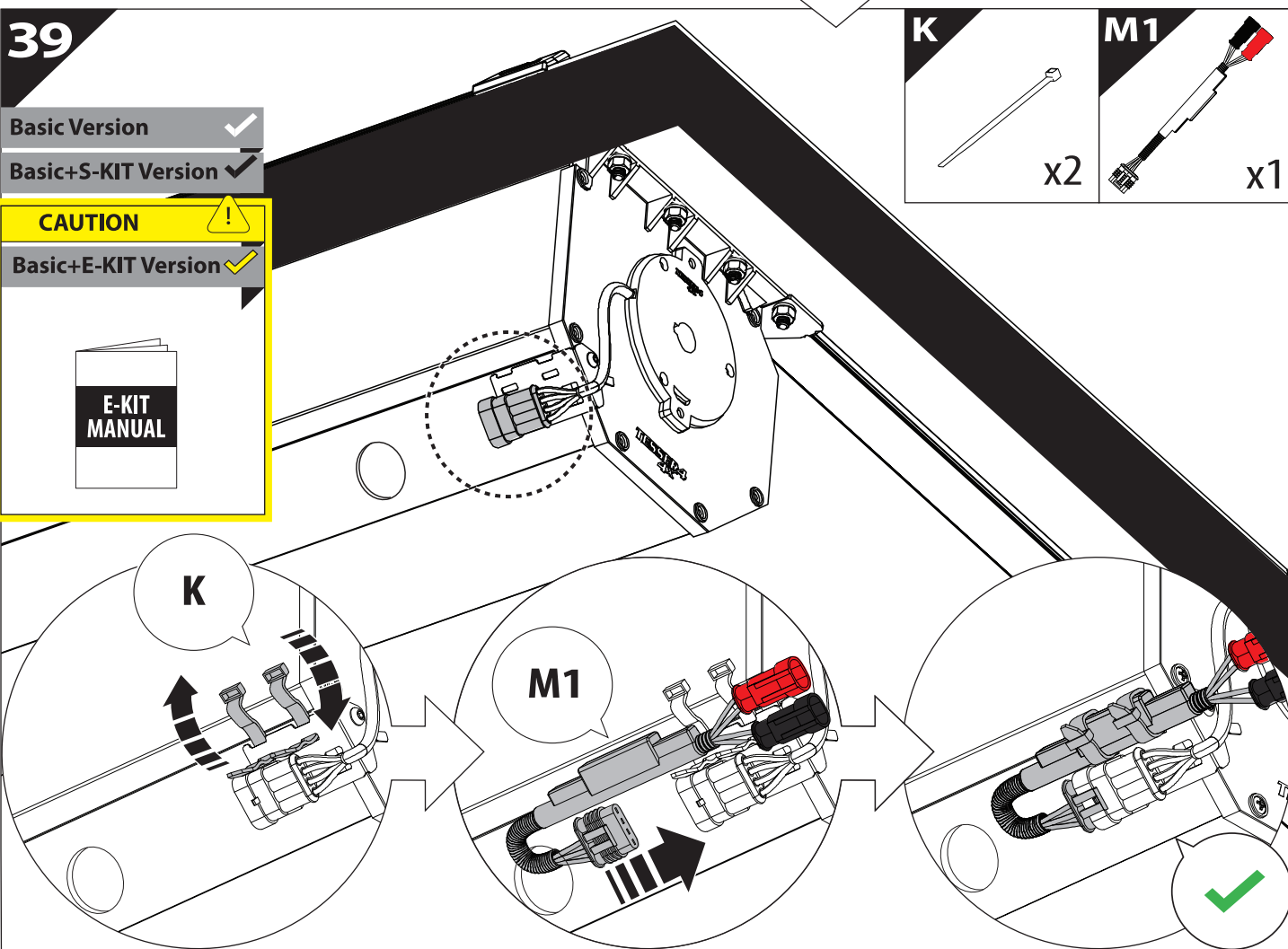
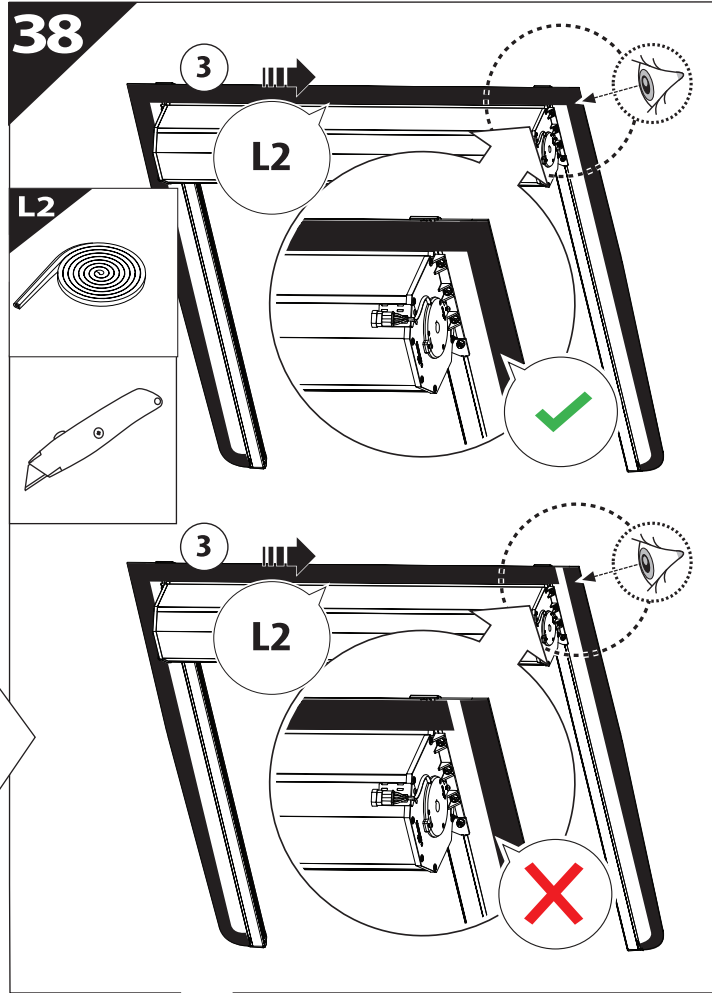
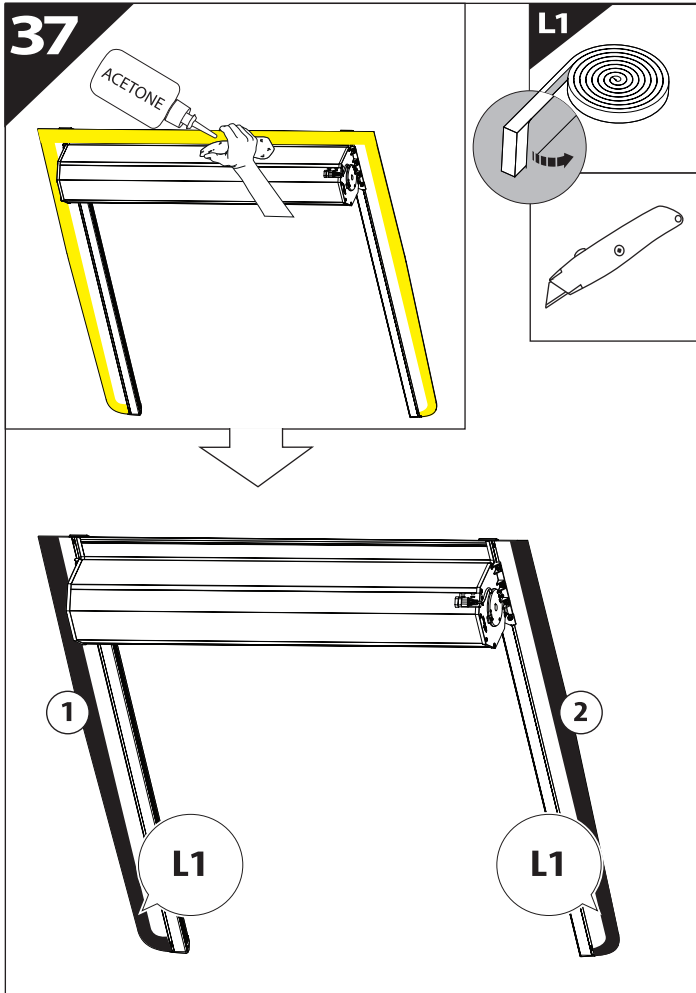
L3

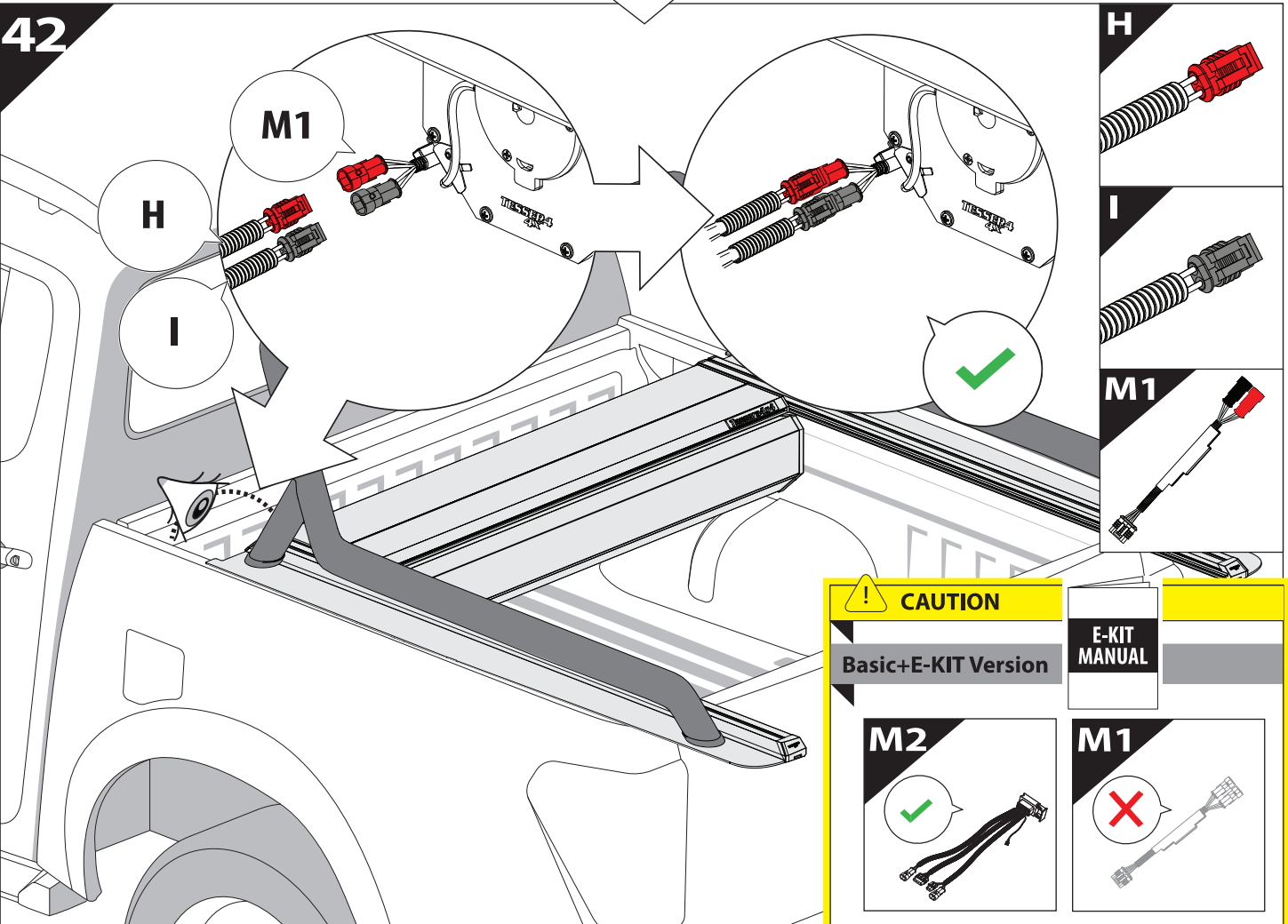
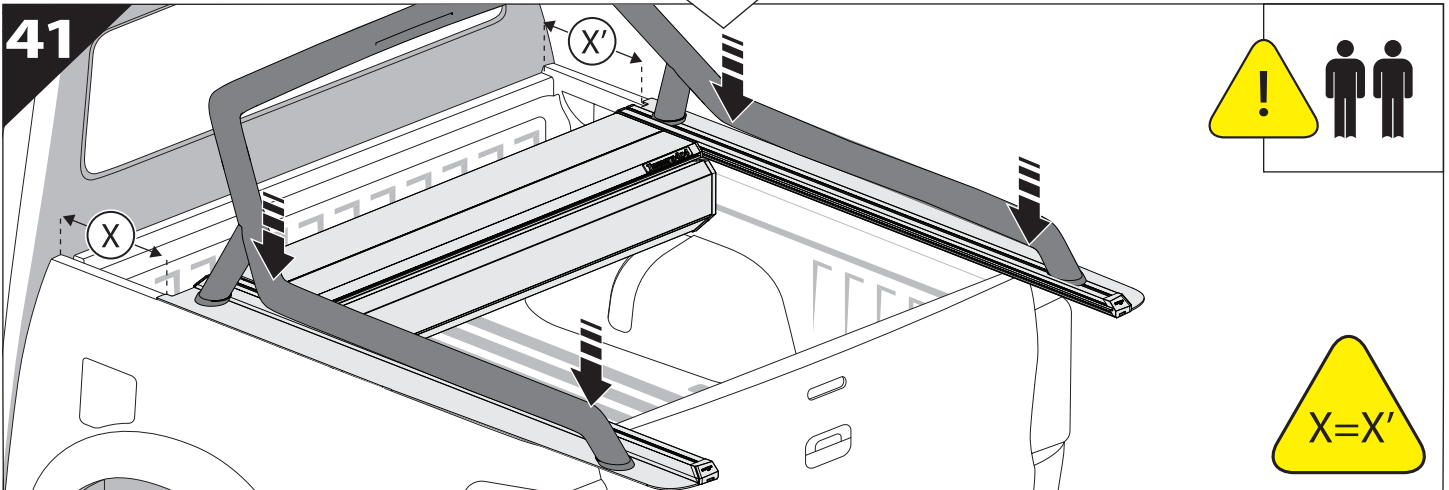
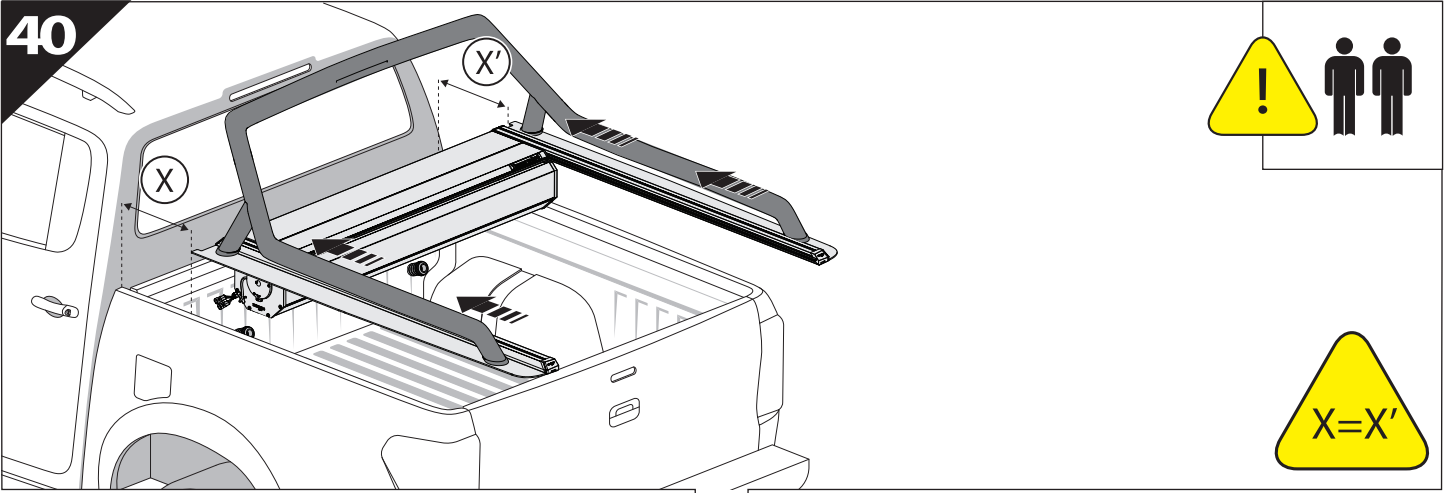


36.5

L4

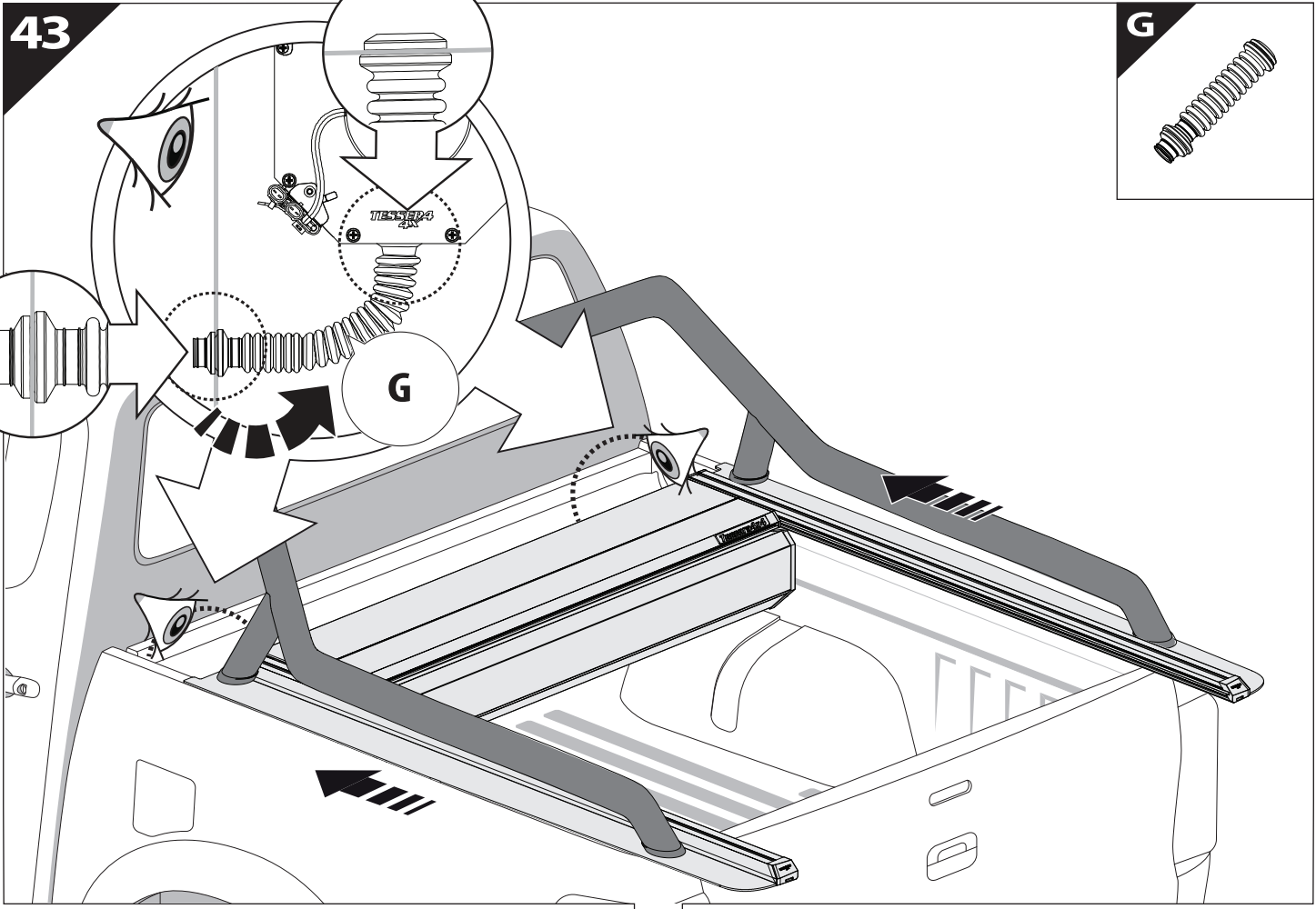




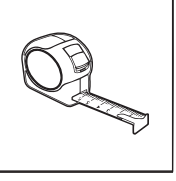
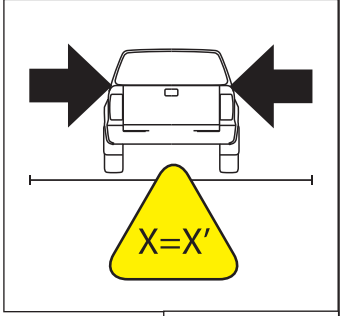
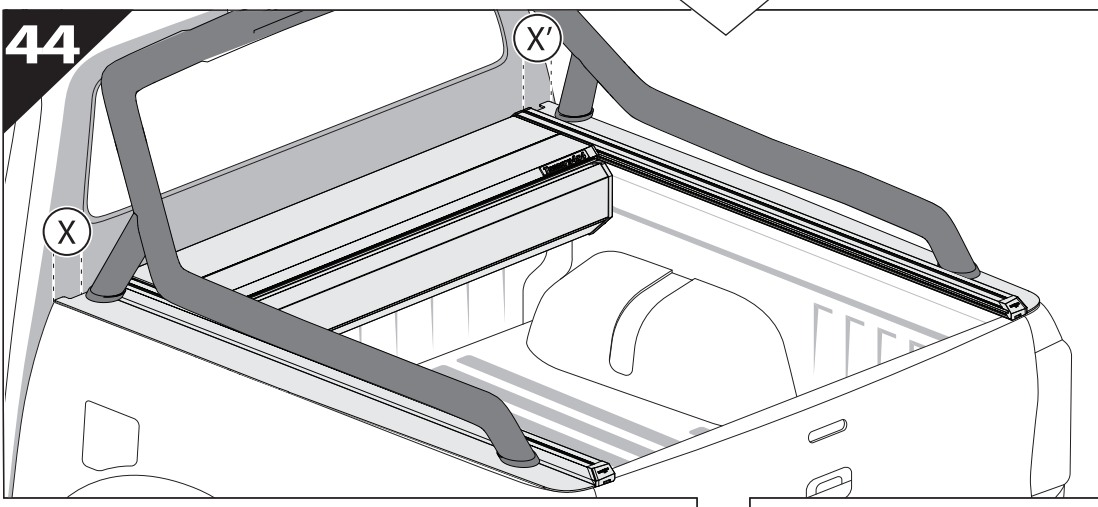


43

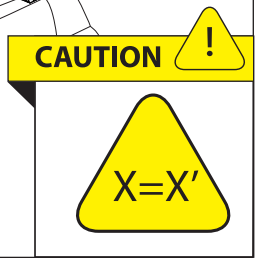
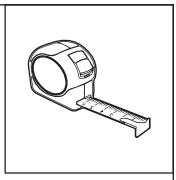
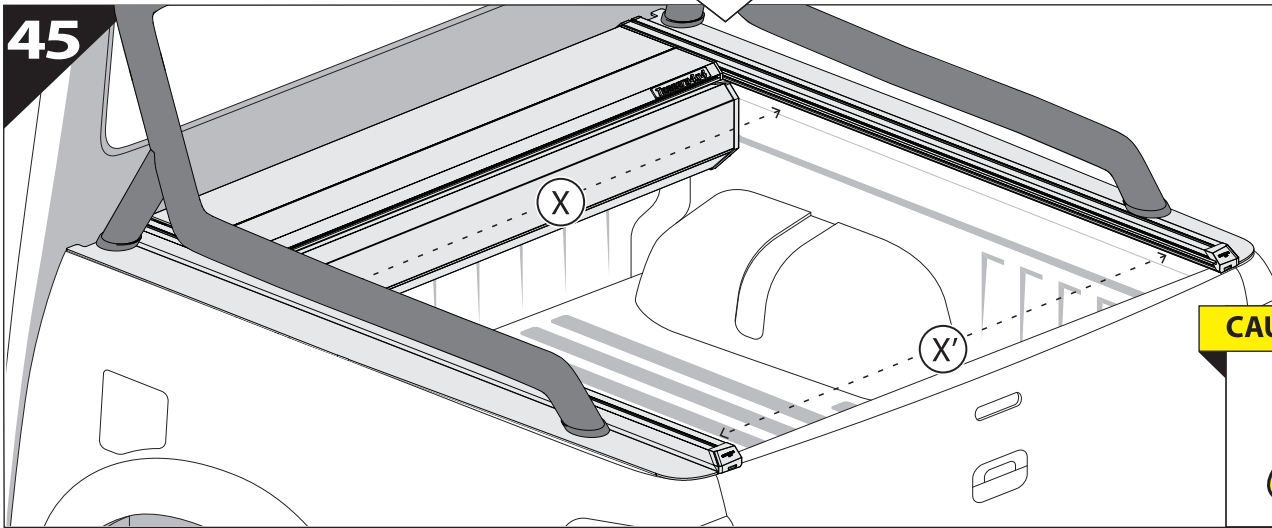
G



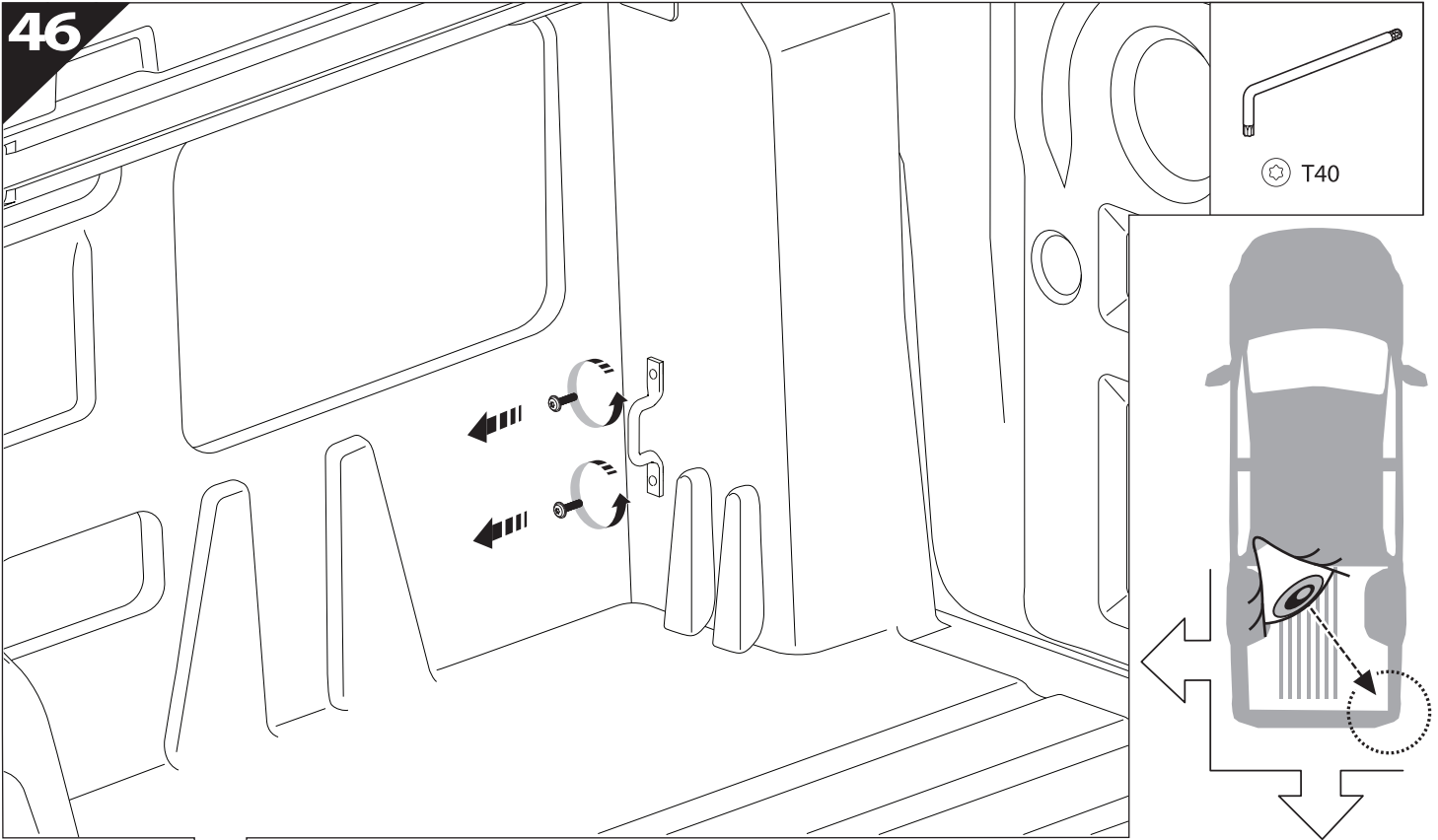
44



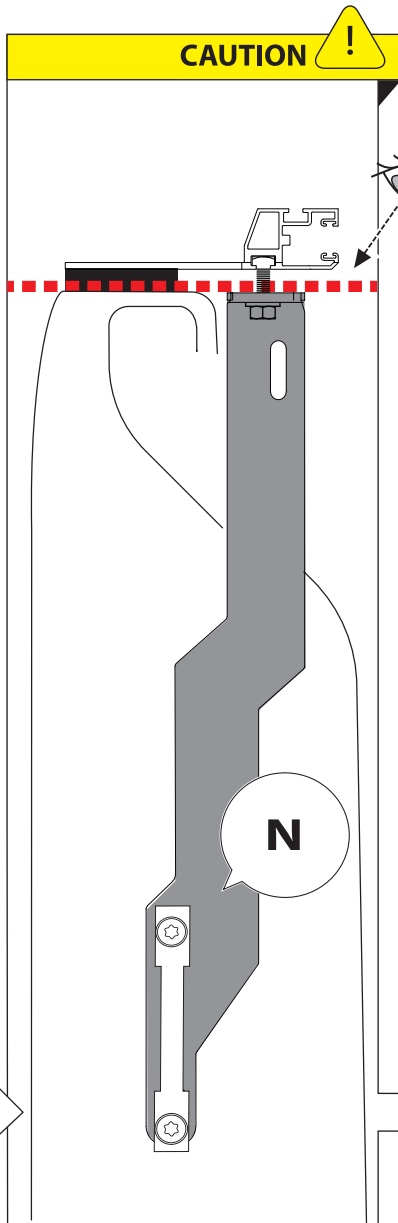
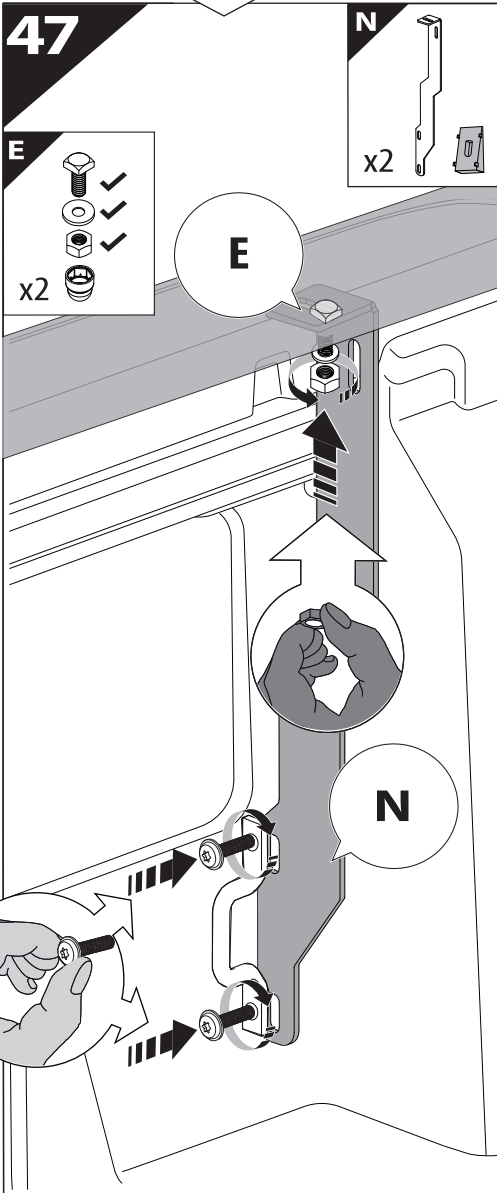
45



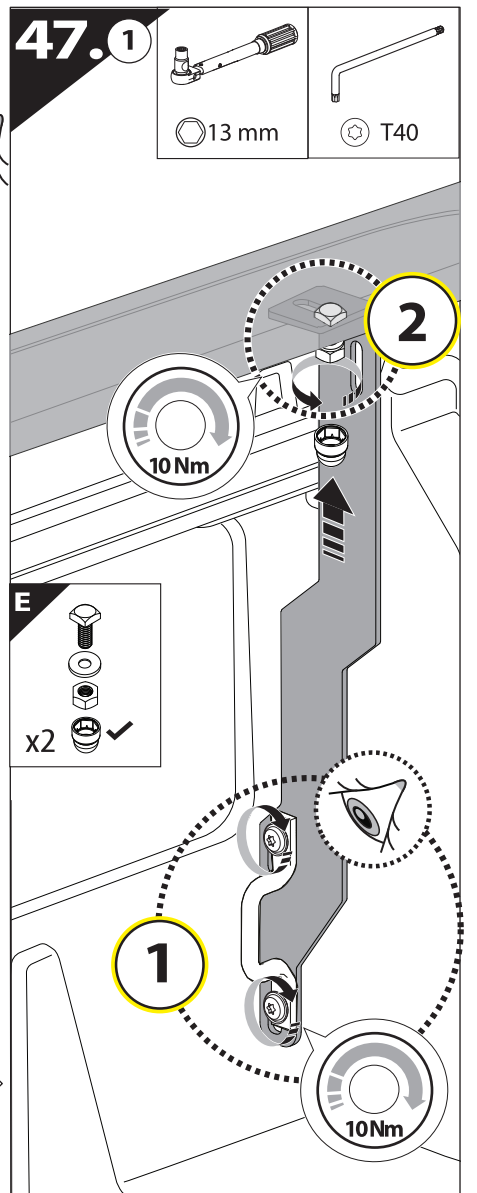
46



47



47.1



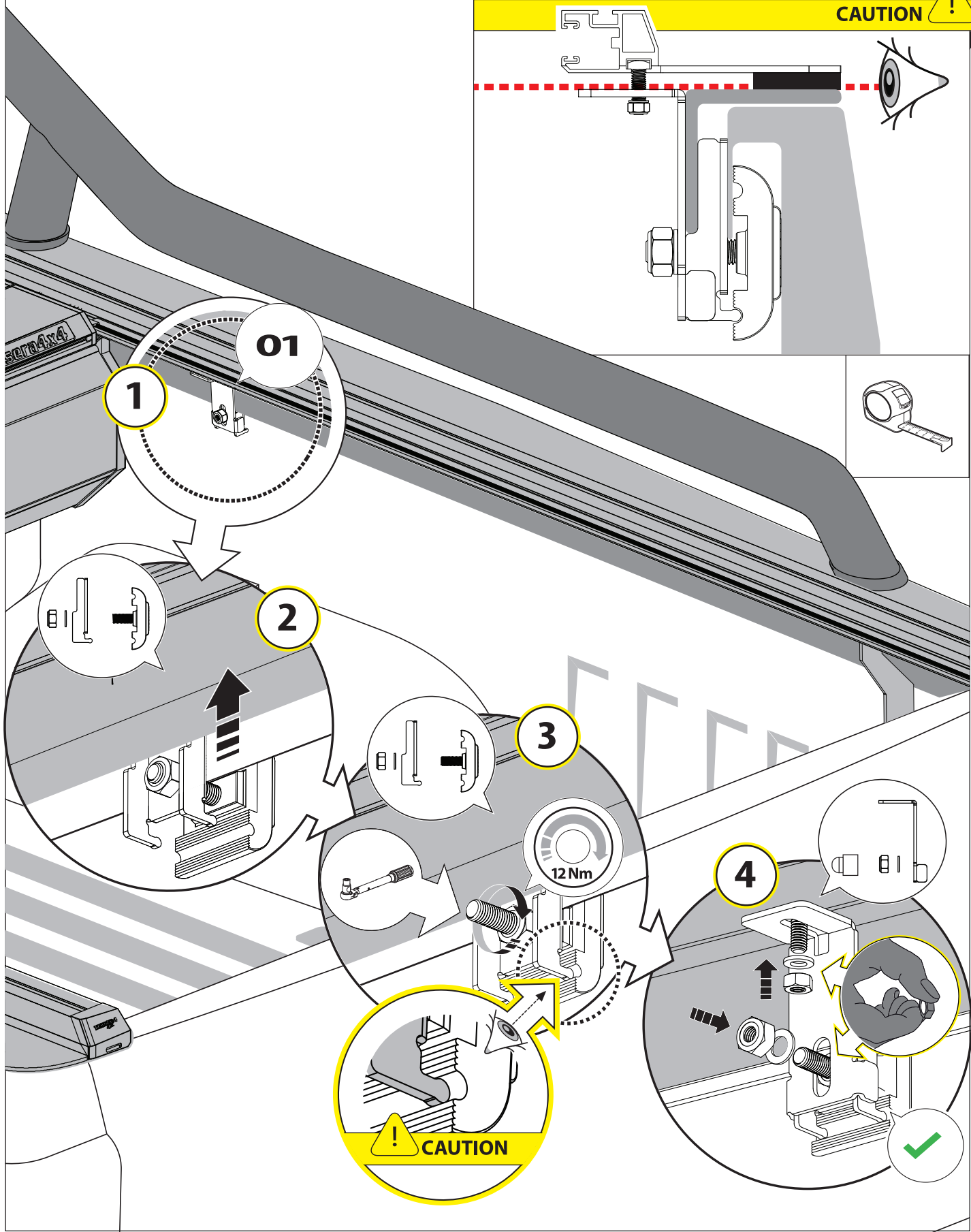
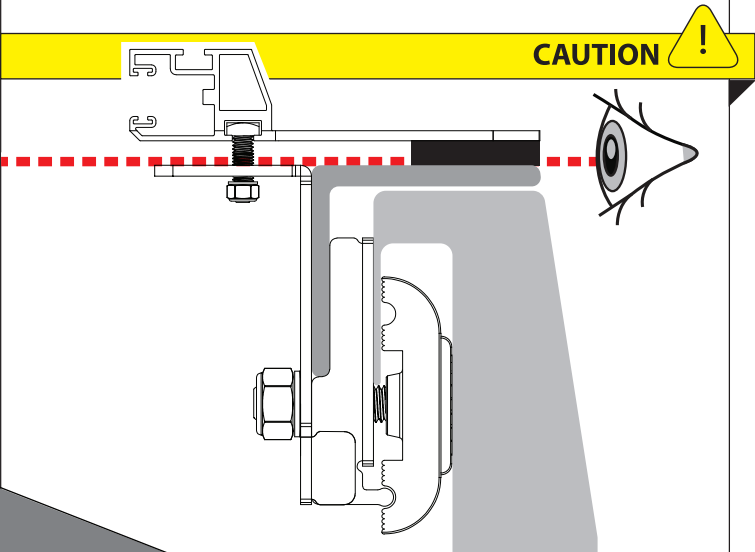
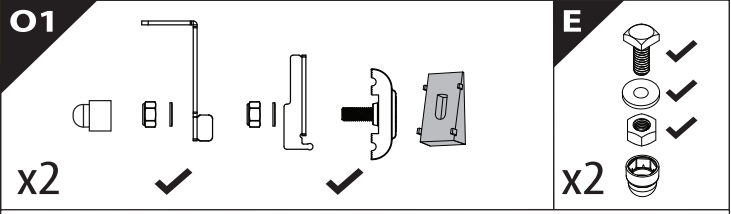
47 A

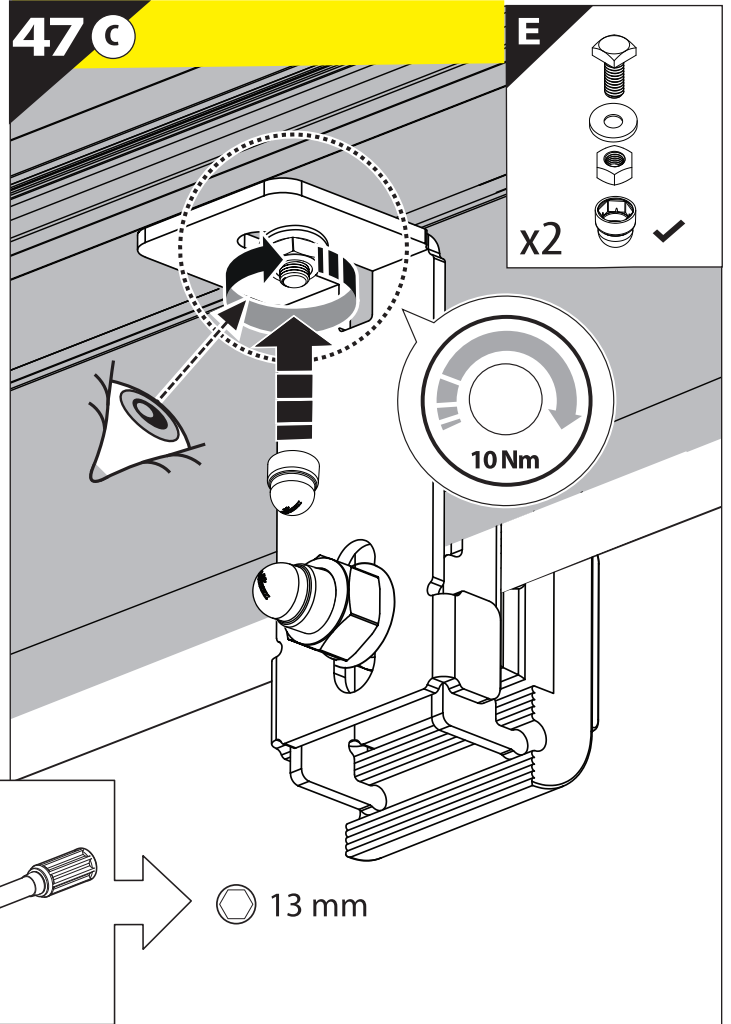
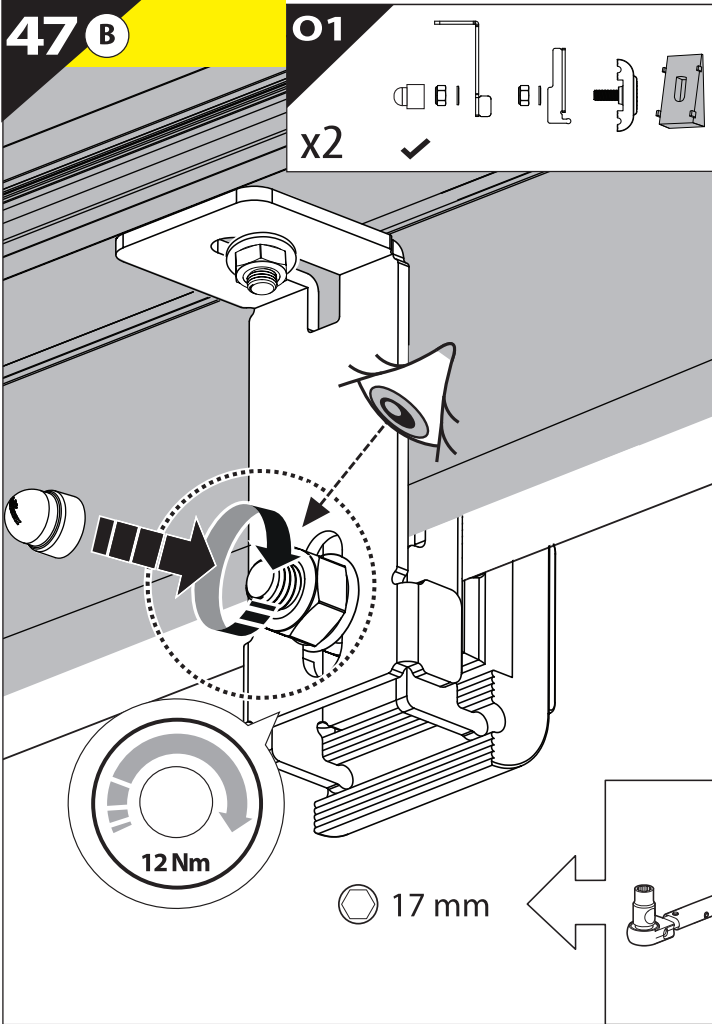


WITHOUT C - CHANNELS

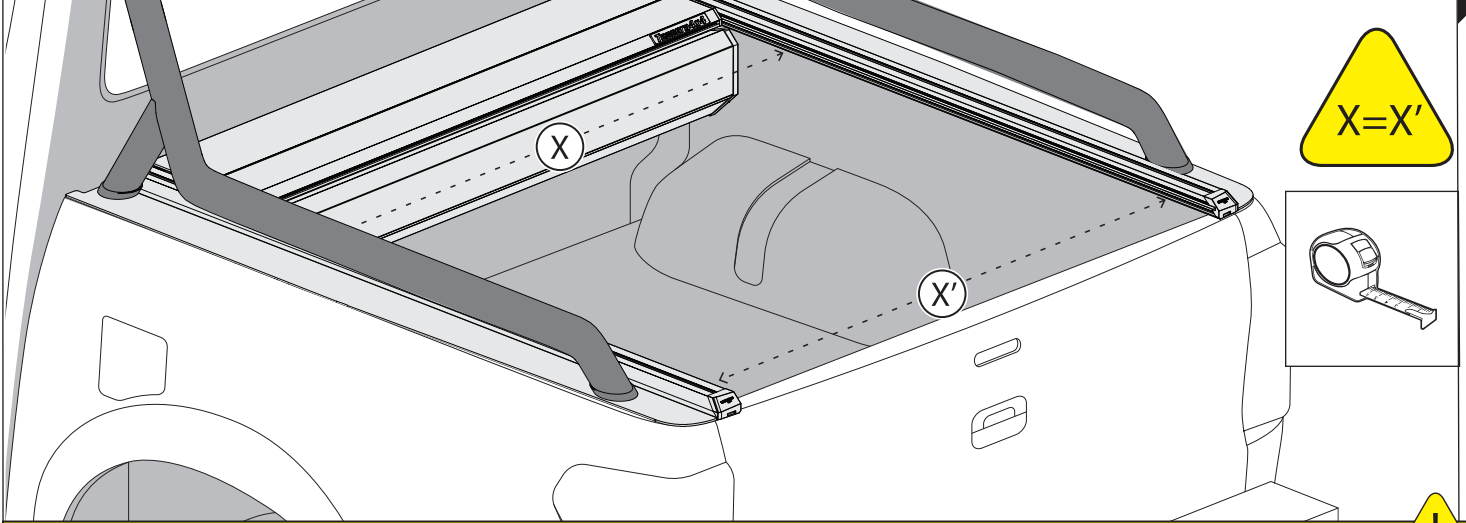
O1

E

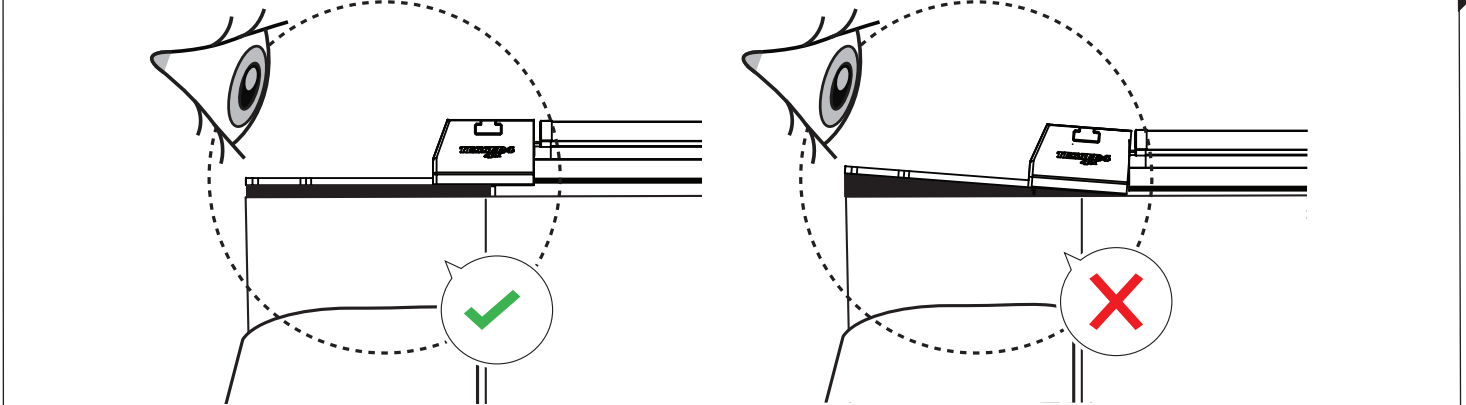




**CAUTION** !



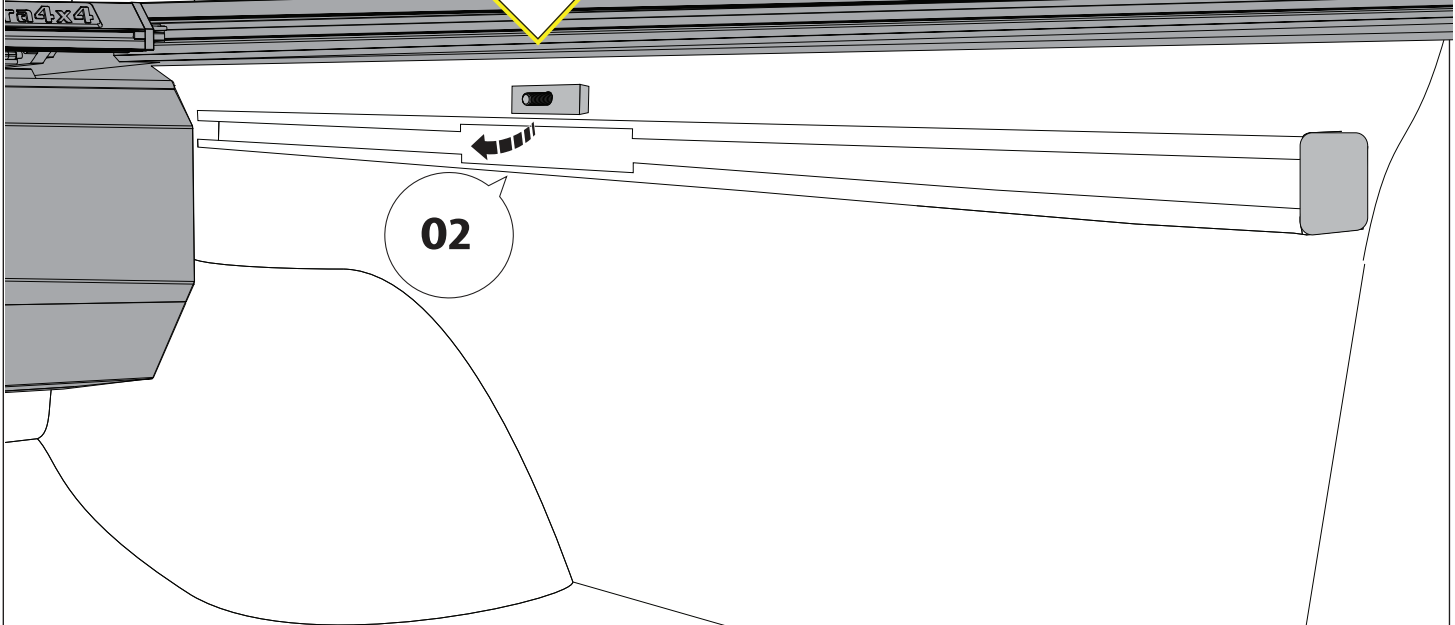
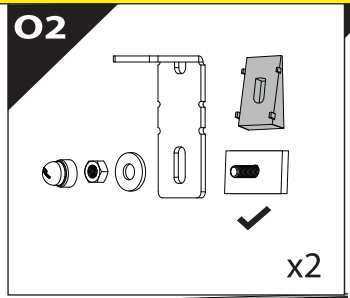
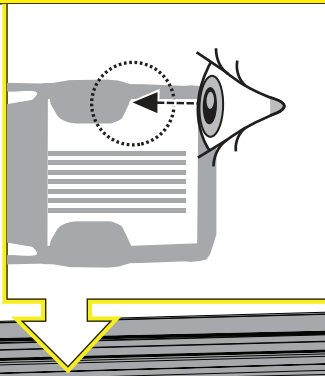
**CAUTION** !



47 A



WITH C - CHANNELS



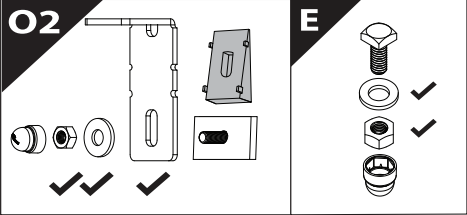


47 B

CAUTION !

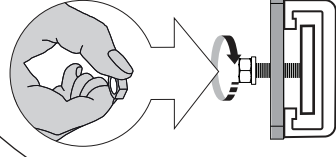
O2

E



3 mm I

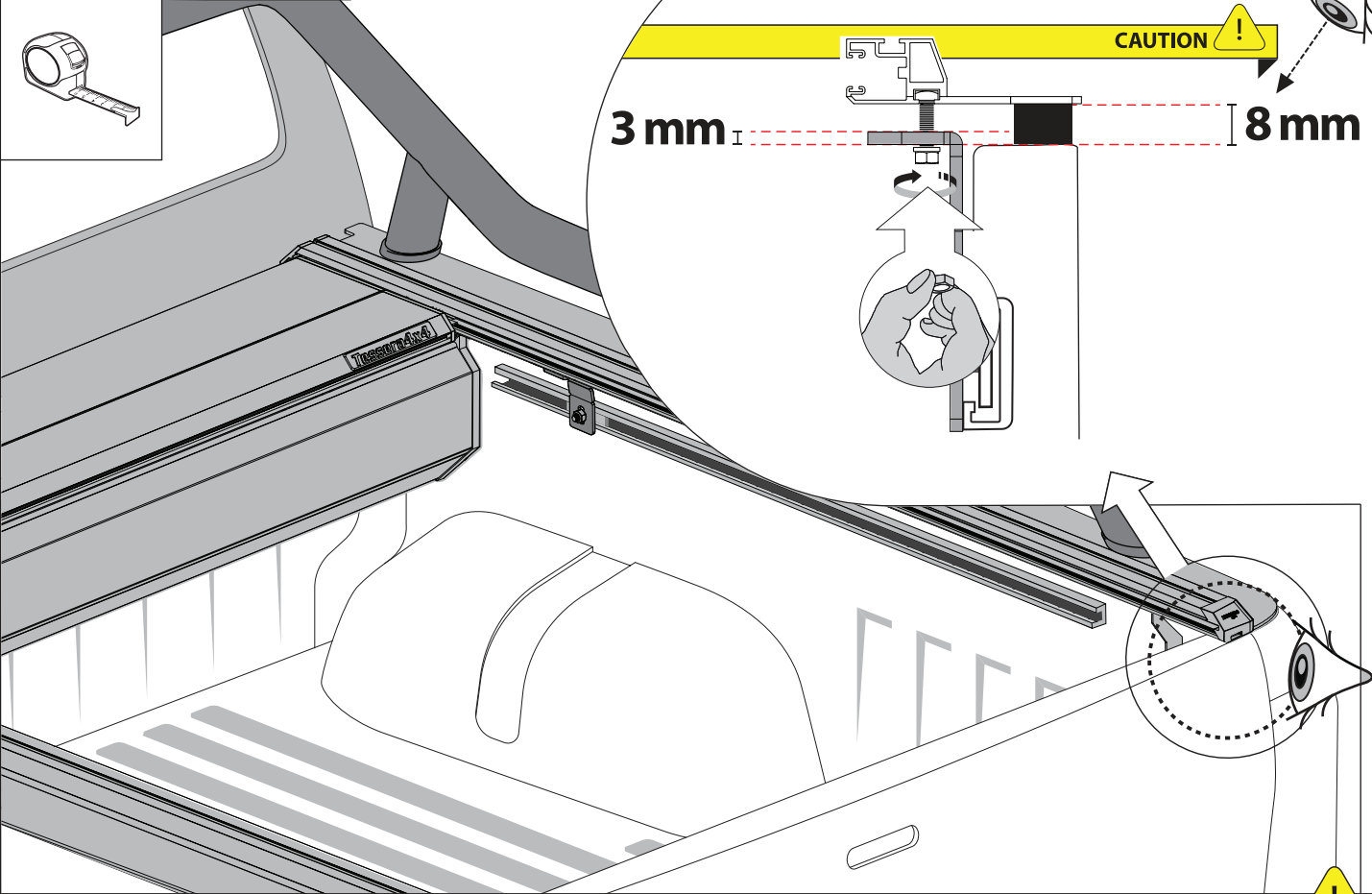
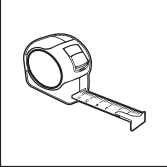
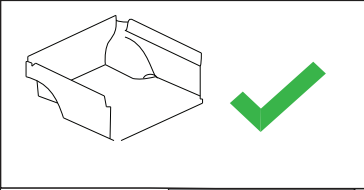
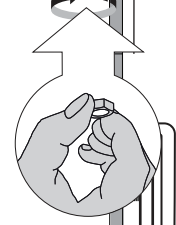
8 mm



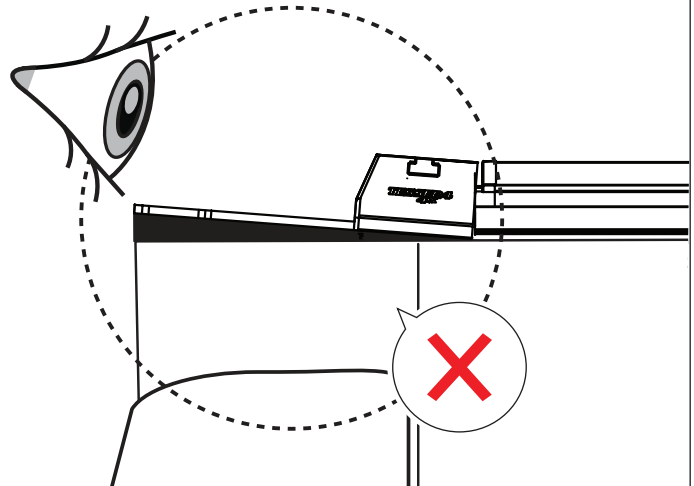
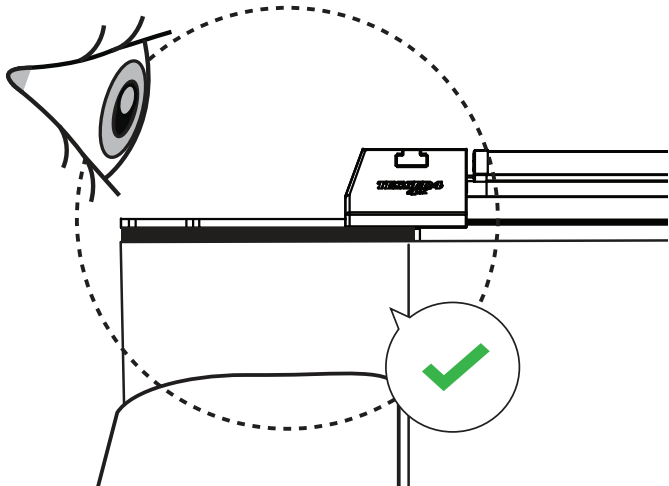
CAUTION !

3 mm I

8 mm

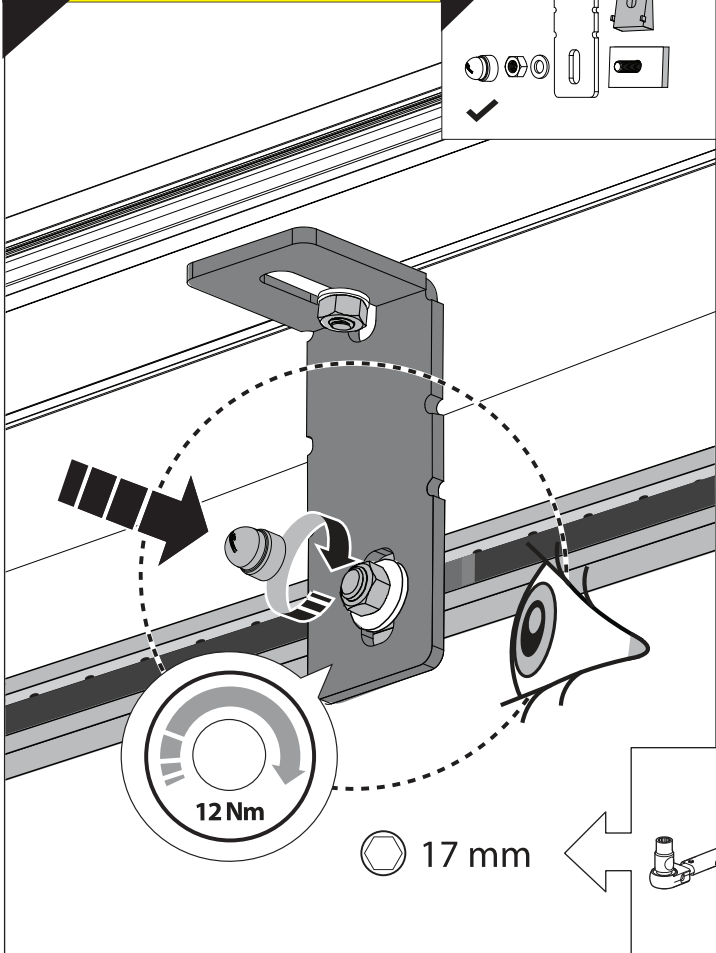
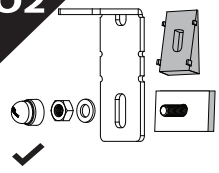


CAUTION !

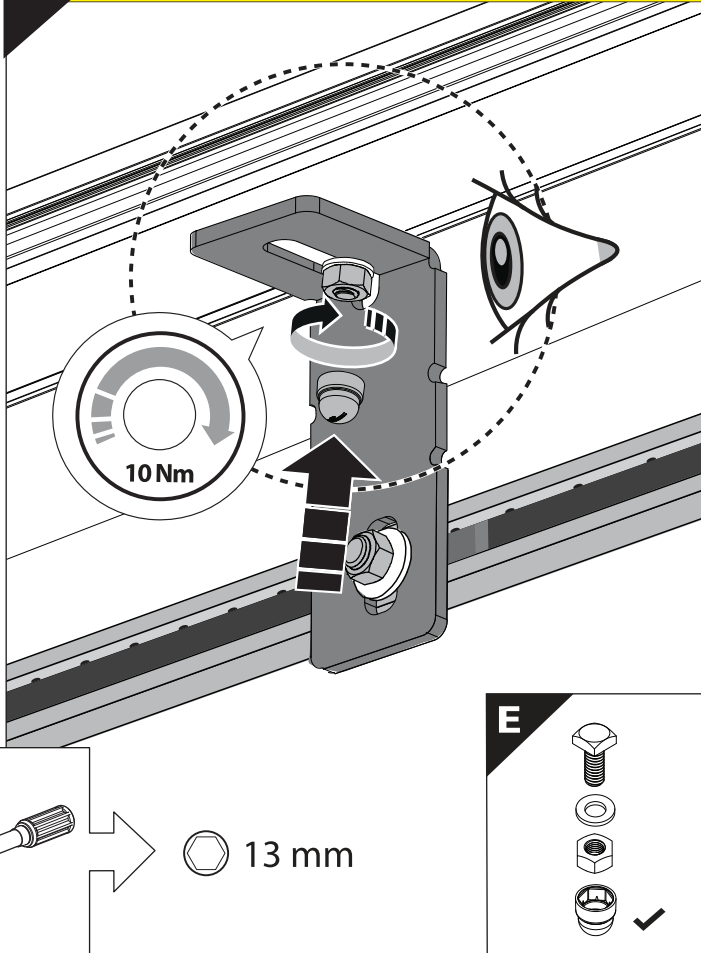


47 C

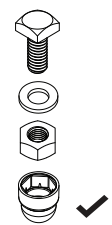
O2



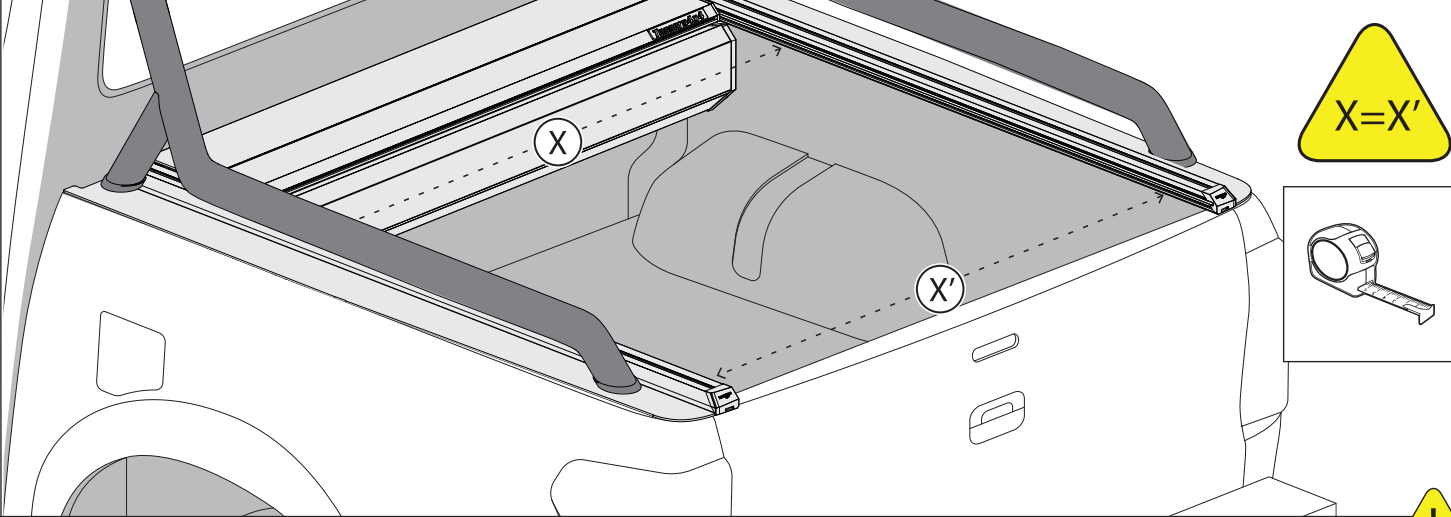
47 D



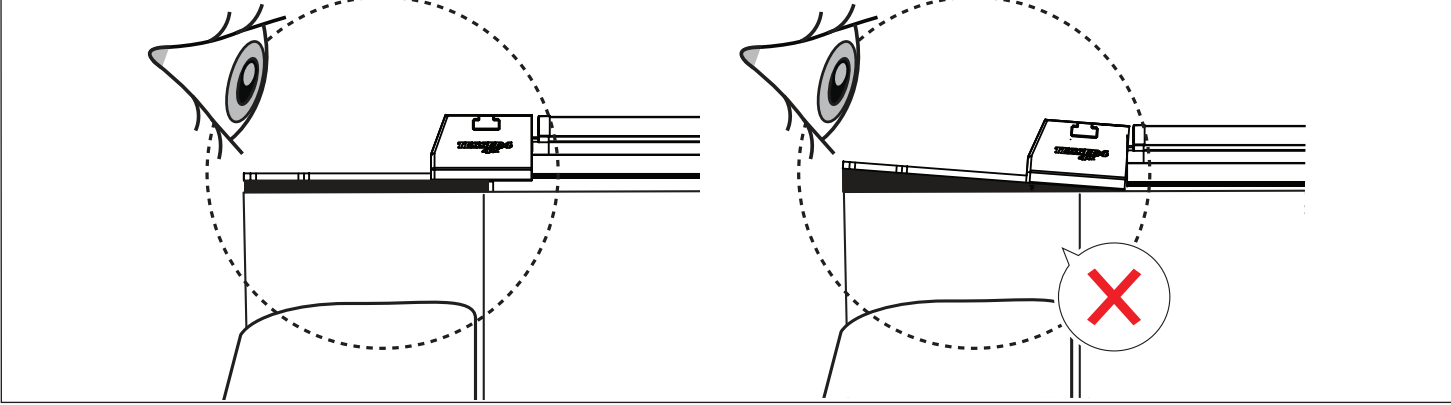
E



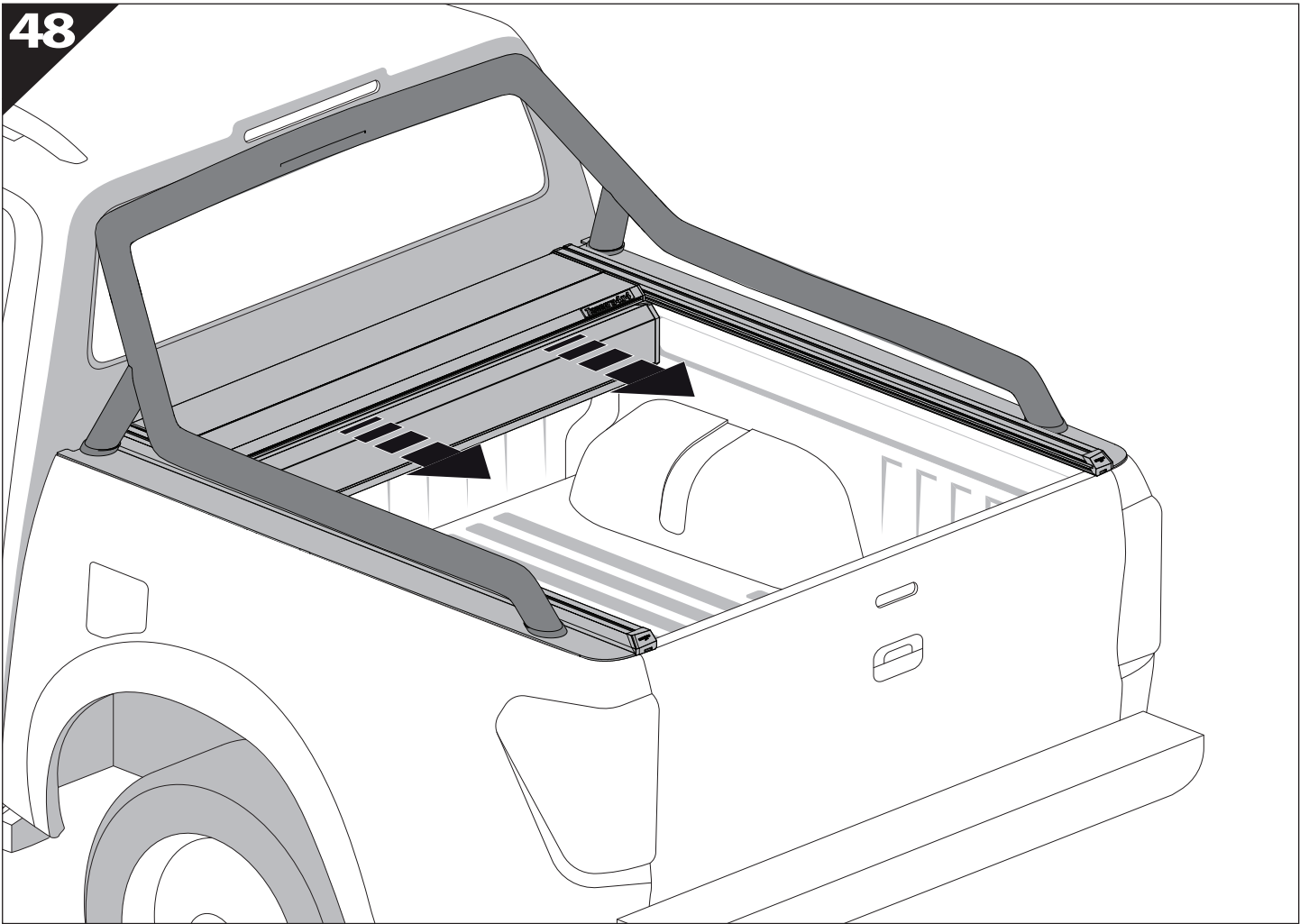
CAUTION !



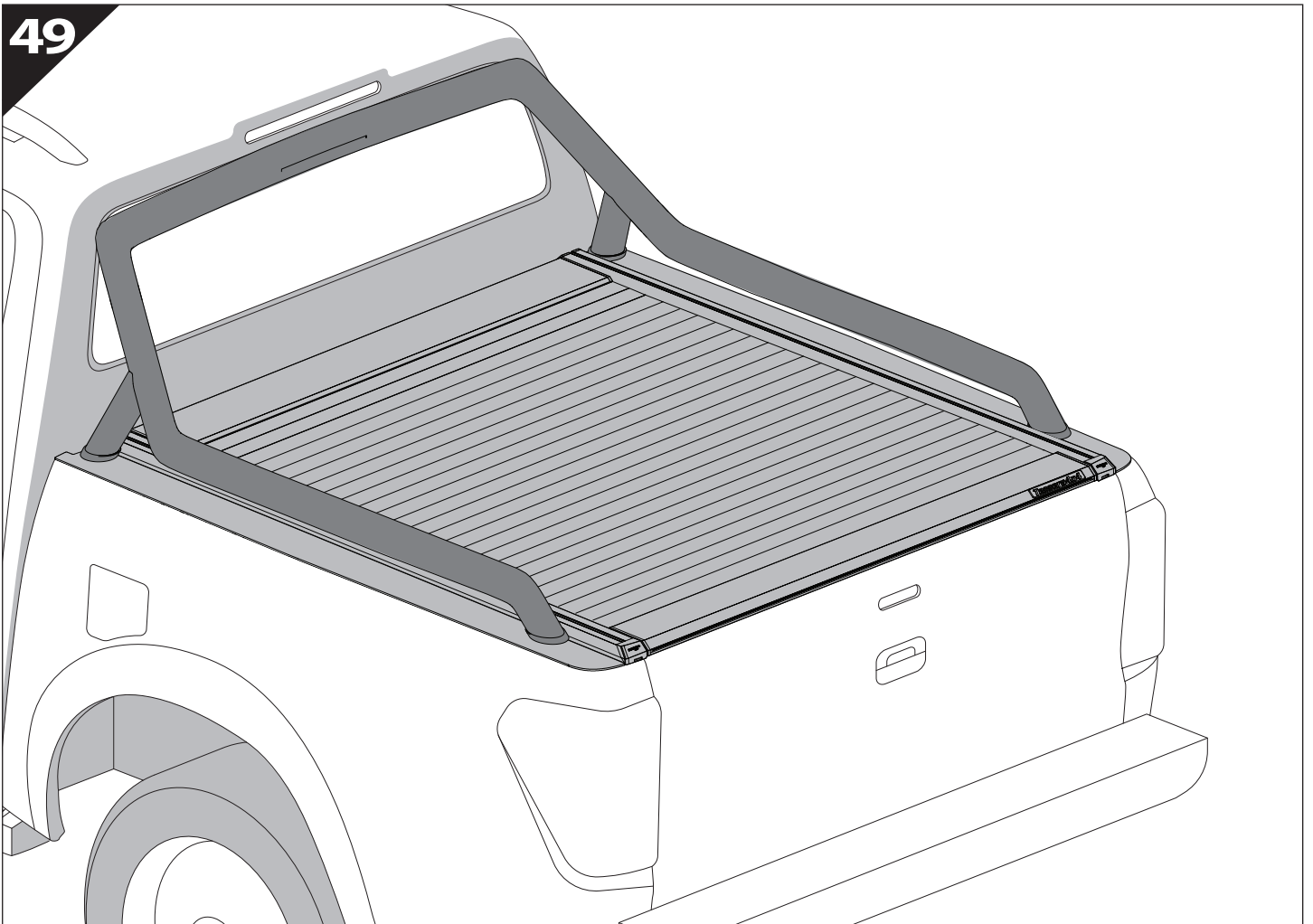
CAUTION !



48



49





**GR:** Οδηγίες Εγκατάστασης  
**GB:** Installation manual  
**SF:** Asennusohje  
**F:** Notice de montage  
**PL:** Instrukcja montażu  
**NL:** Installatie-instructies  
**TR:** Montaj Talimatı  
**S:** Monteringsanvisning  
**E:** Instrucciones de montaje

**H:** Szerelési utasítás  
**P:** Instruções de instalação  
**RUS:** Инструкция по установке  
**N:** Monteringsveiledning  
**D:** Einbauanleitung  
**CZ:** Návod k instalaci  
**I:** Istruzioni de montaggio  
**DK:** Monteringsvejledning  
**RO:** Instructiuni de instalare

Customer Service:

+30 (210) 5541161, +30 (210) 5541154 (08:00 - 16:00 EET)

Support department:

[info@gianso.gr](mailto:info@gianso.gr)

Website:

[www.tessera4x4.com](http://www.tessera4x4.com)

Address:

19.5 km of National road Athens-Korinthos (Elefsina) Greece, P.C: 19200