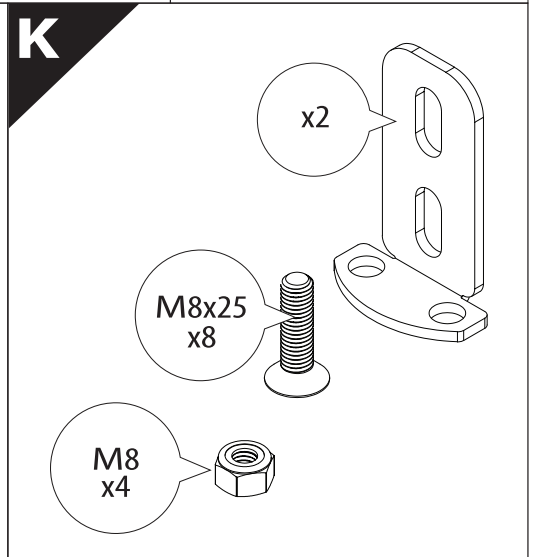
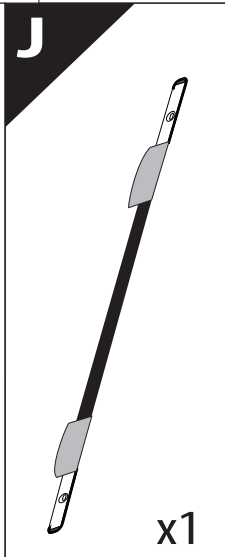
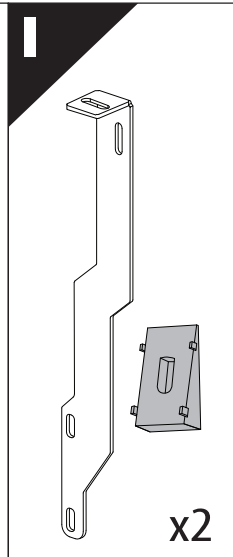
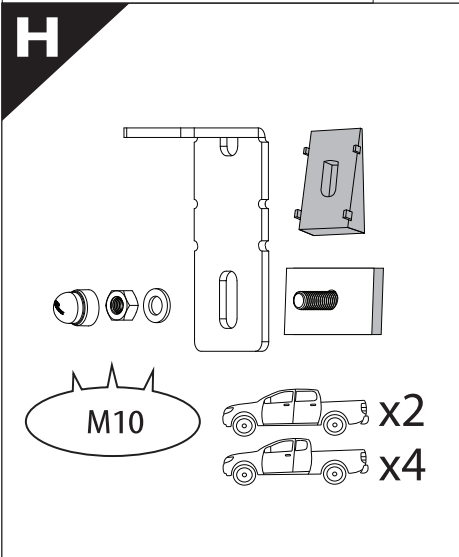
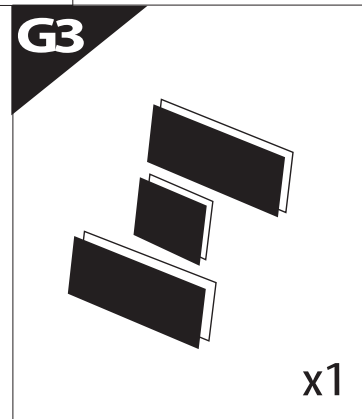
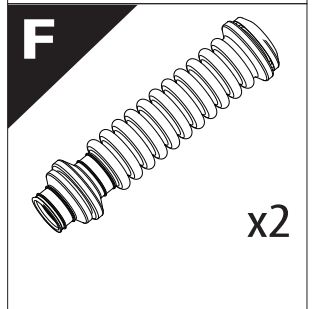
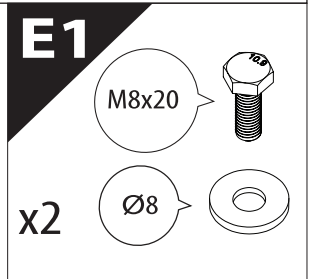
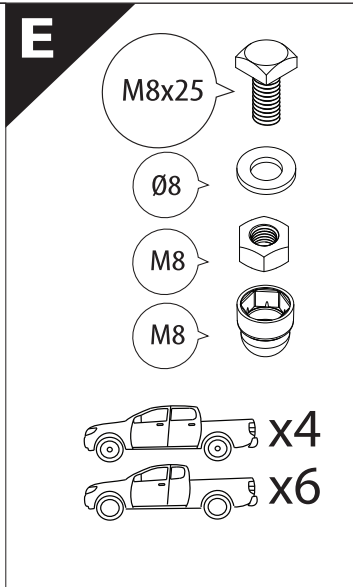
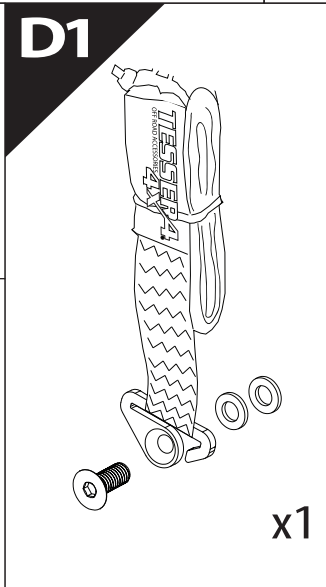
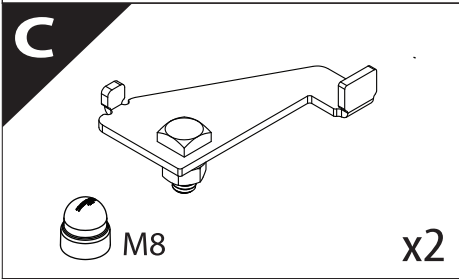
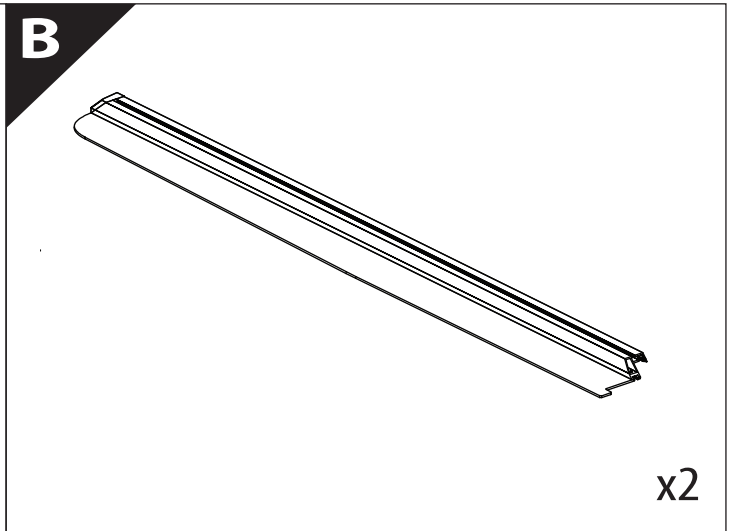
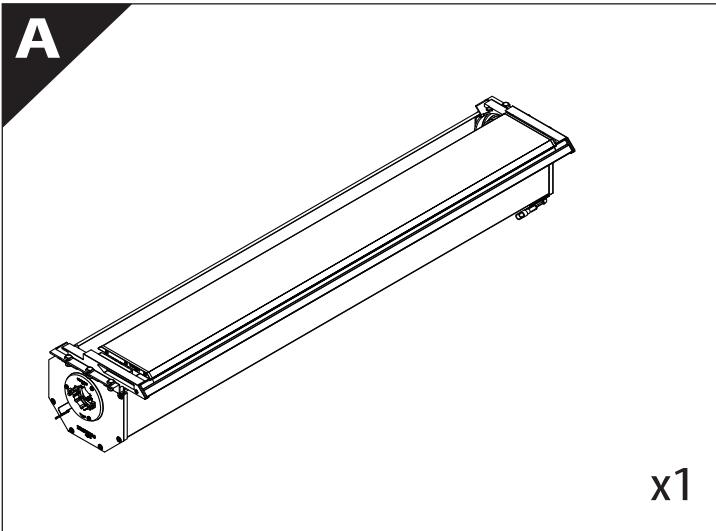
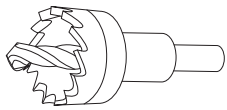


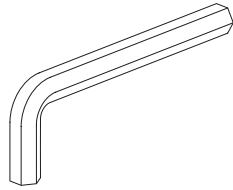
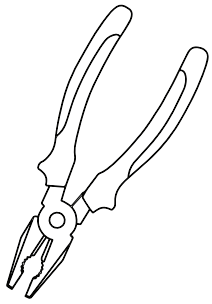
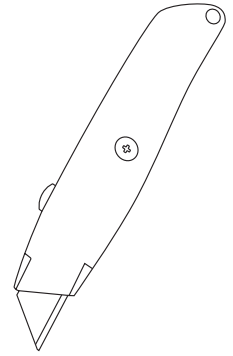
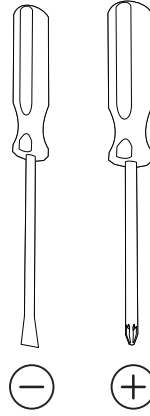
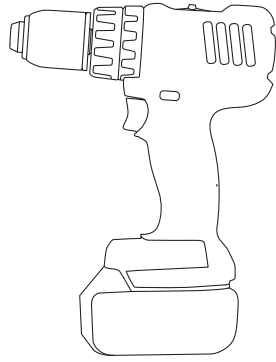
Installation Manual

PART NUMBER(S)	Model Year
TESS 15060 SE +ADAPT 008	FORD RANGER 2023+ SPORT WITH OEM ROLLBAR (with c-channels)
TESS 15070 SE +ADAPT 008	
Cab(s)	Installation Time / Weight
Double Cab & Space Cab	40-60 minutes / 53-57 kg



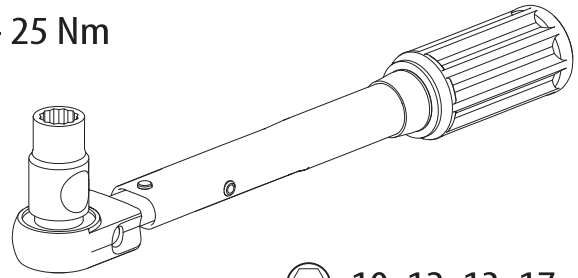


Ø 25 mm



4 mm

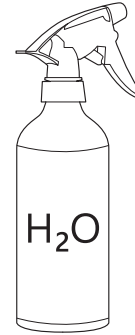
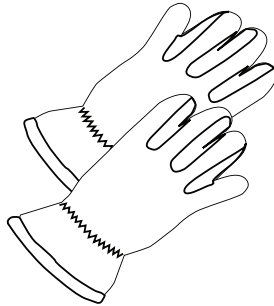
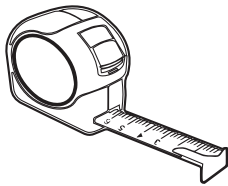
1 - 25 Nm



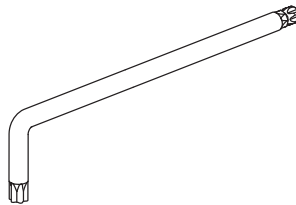
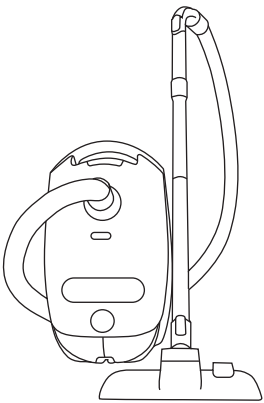
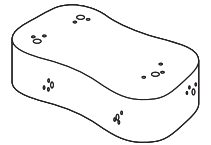
10, 12, 13, 17 mm



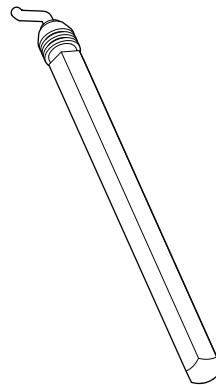
ACETONE



H₂O



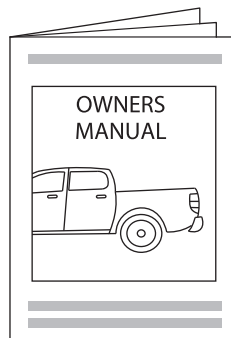
T30, T40



ANTI-RUST

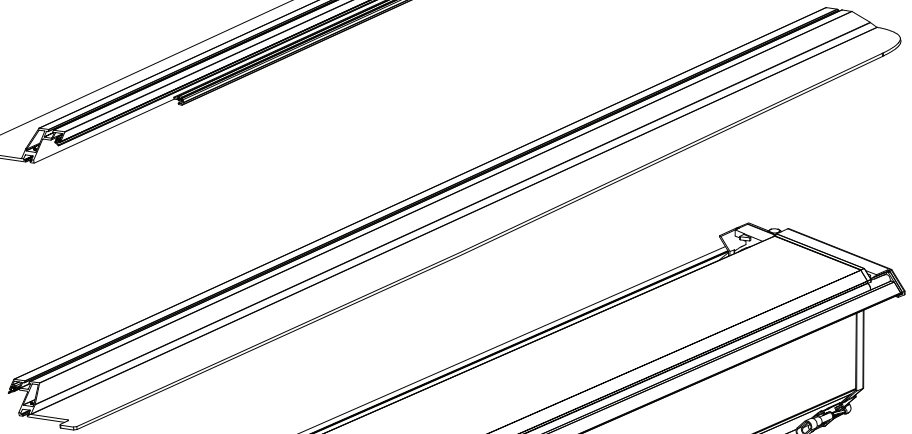
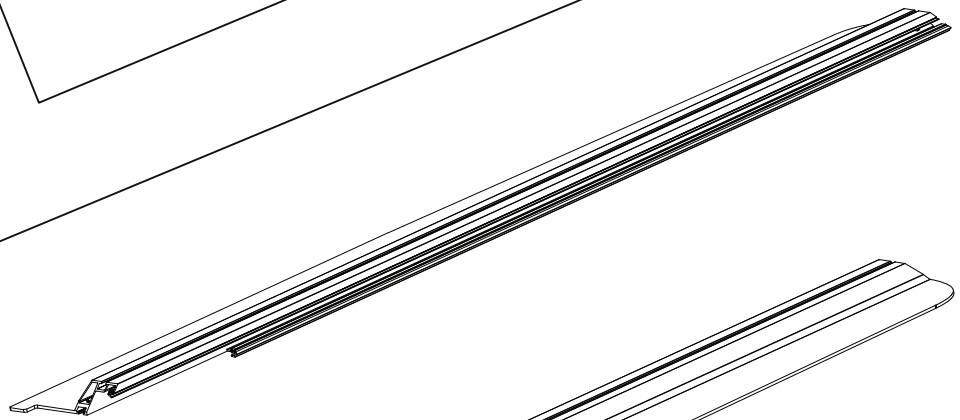
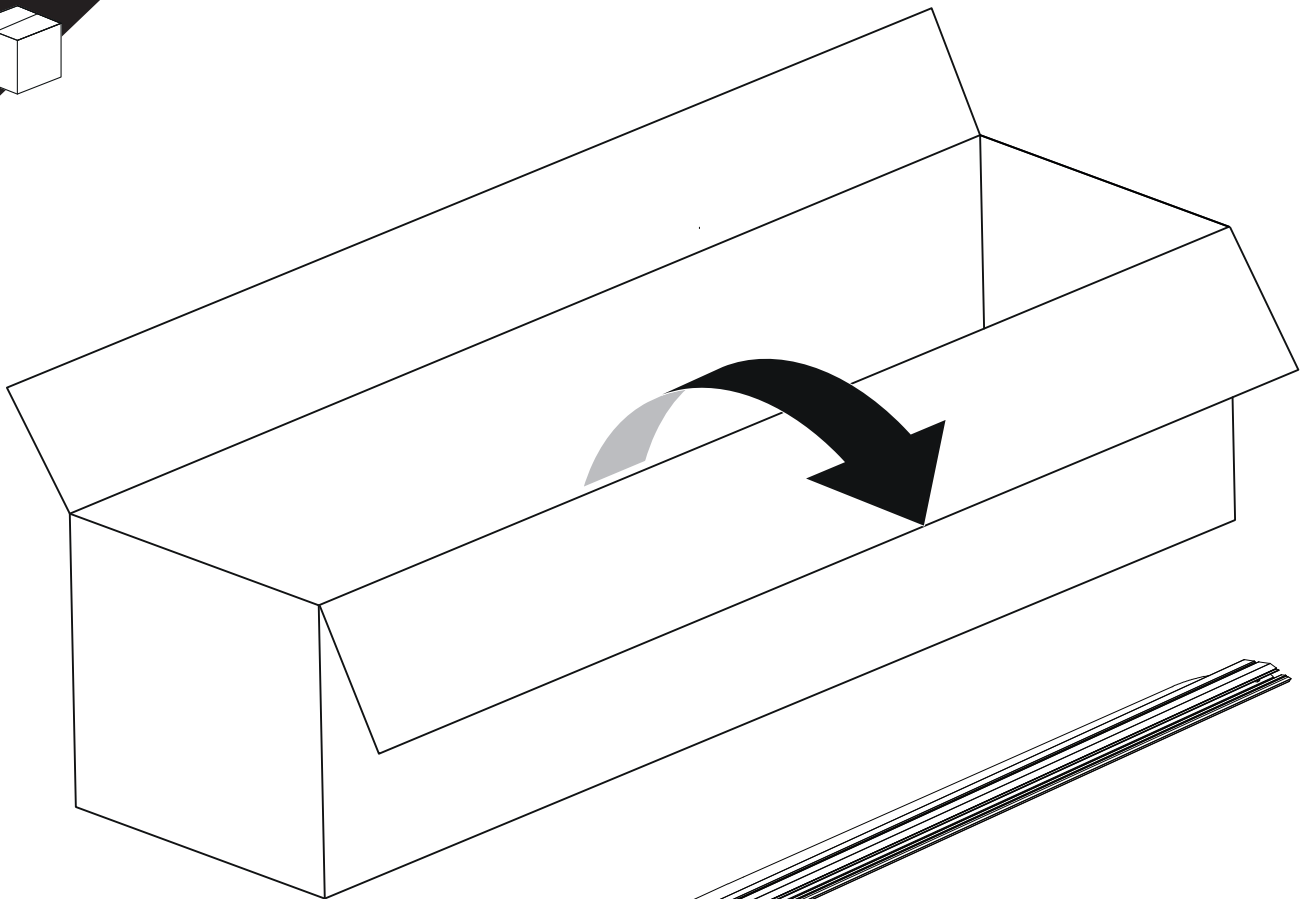


INSTALLATION
MANUAL

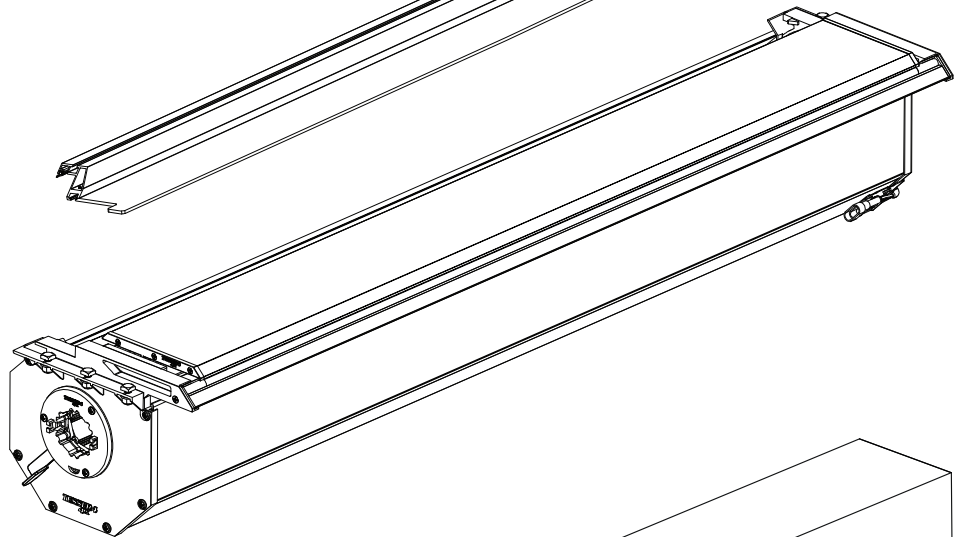


OWNERS
MANUAL

x1

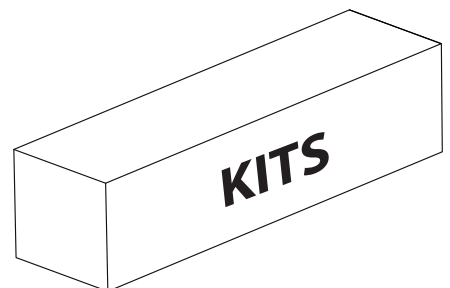


B

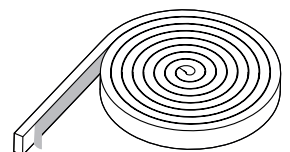


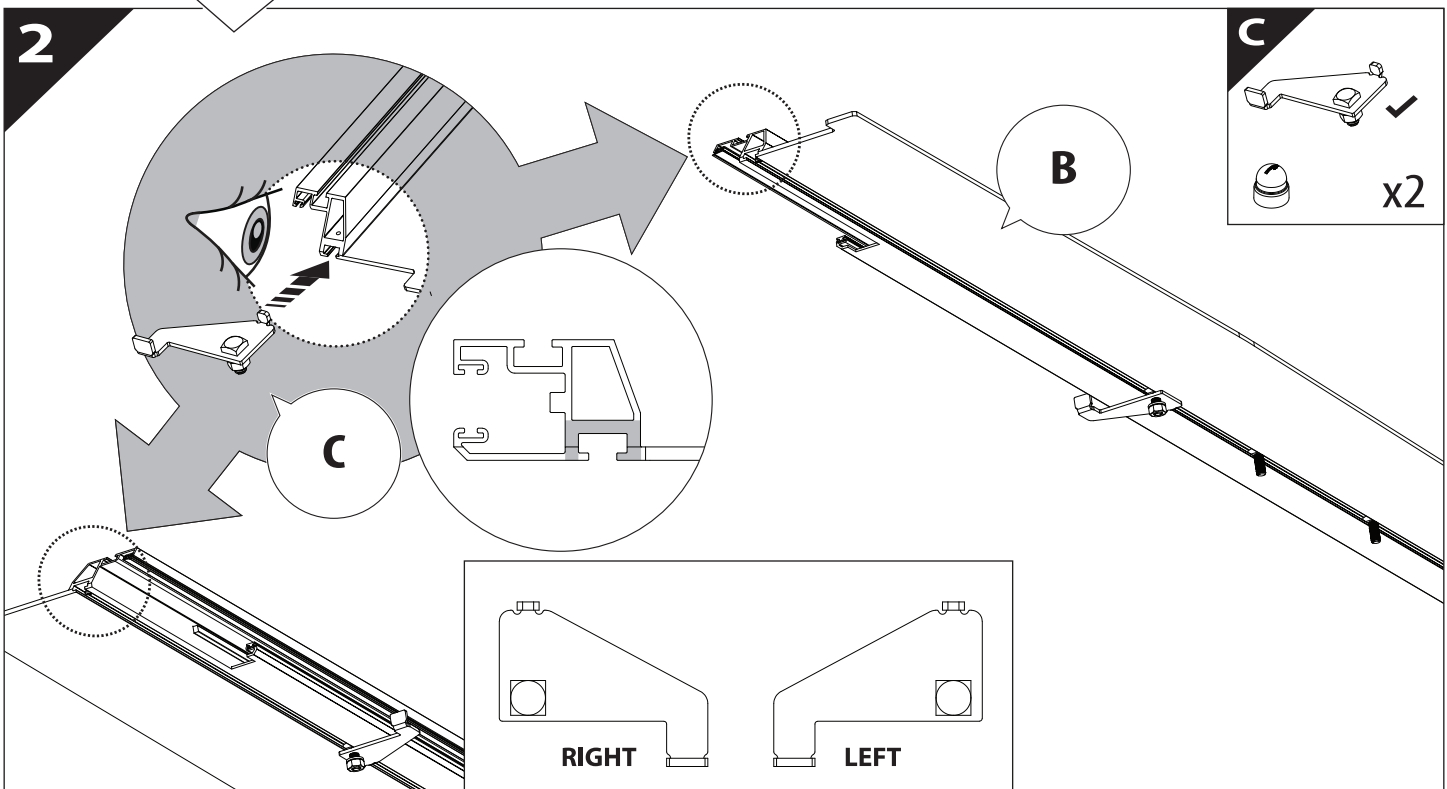
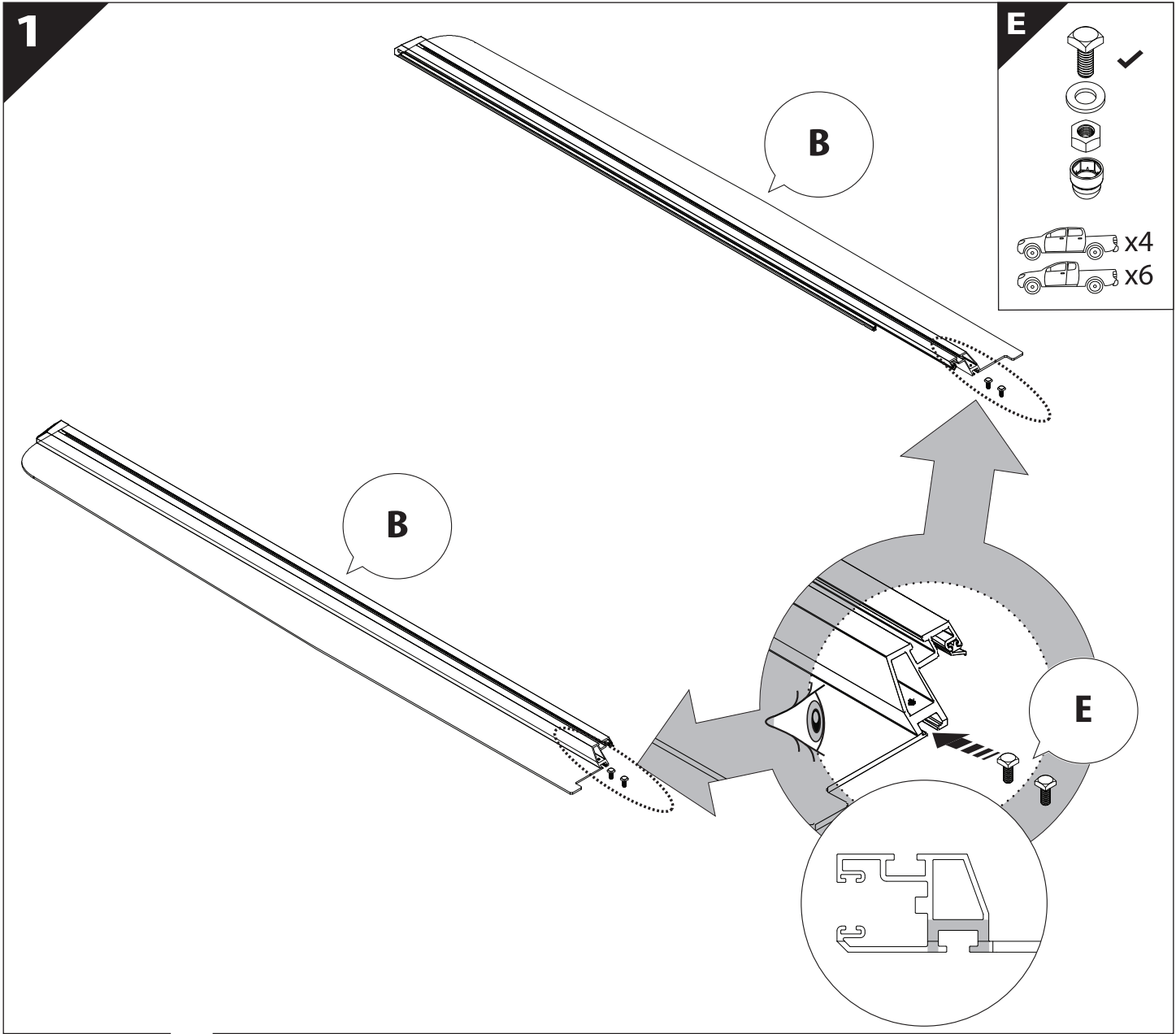
A

KITS

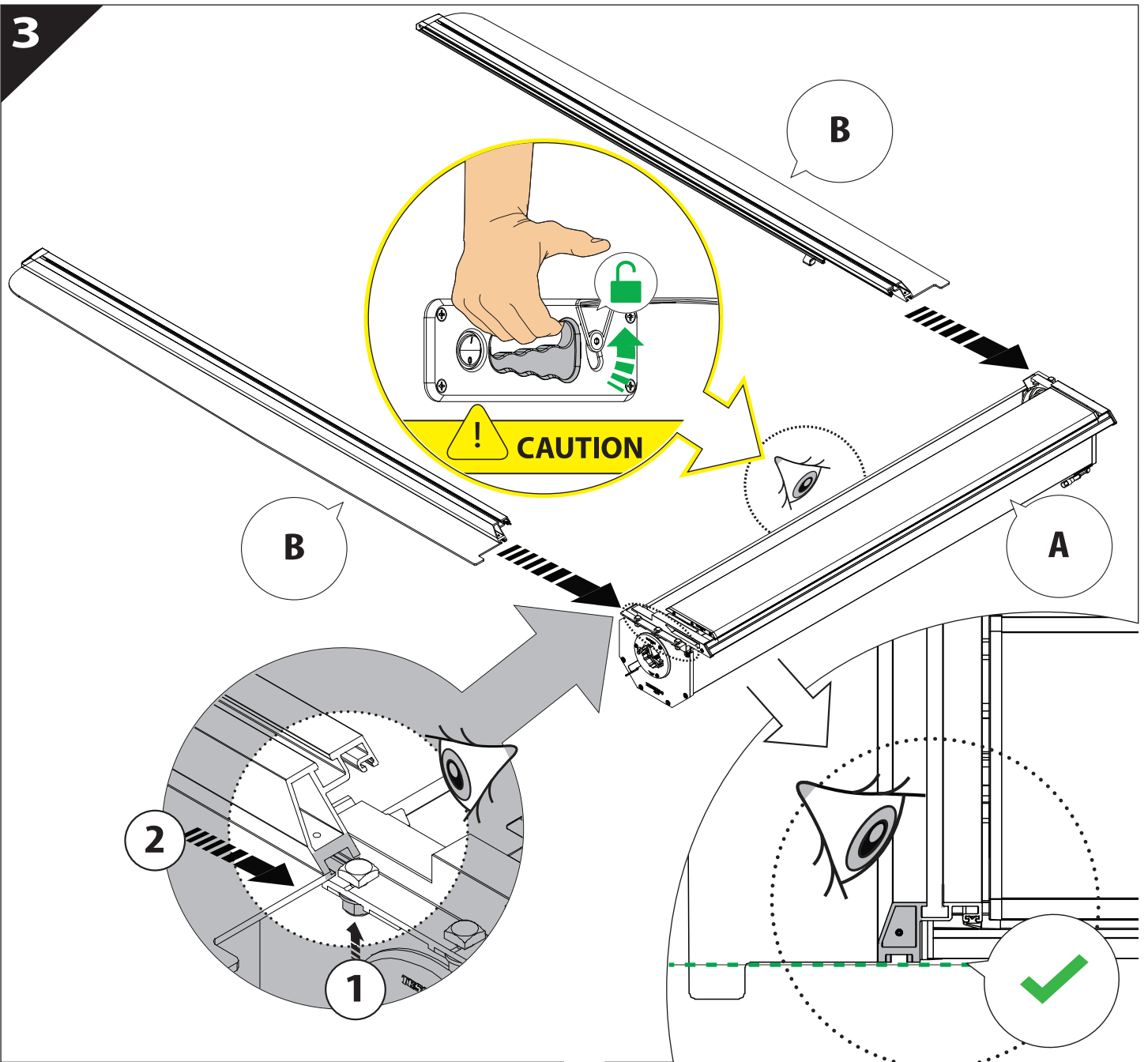


G

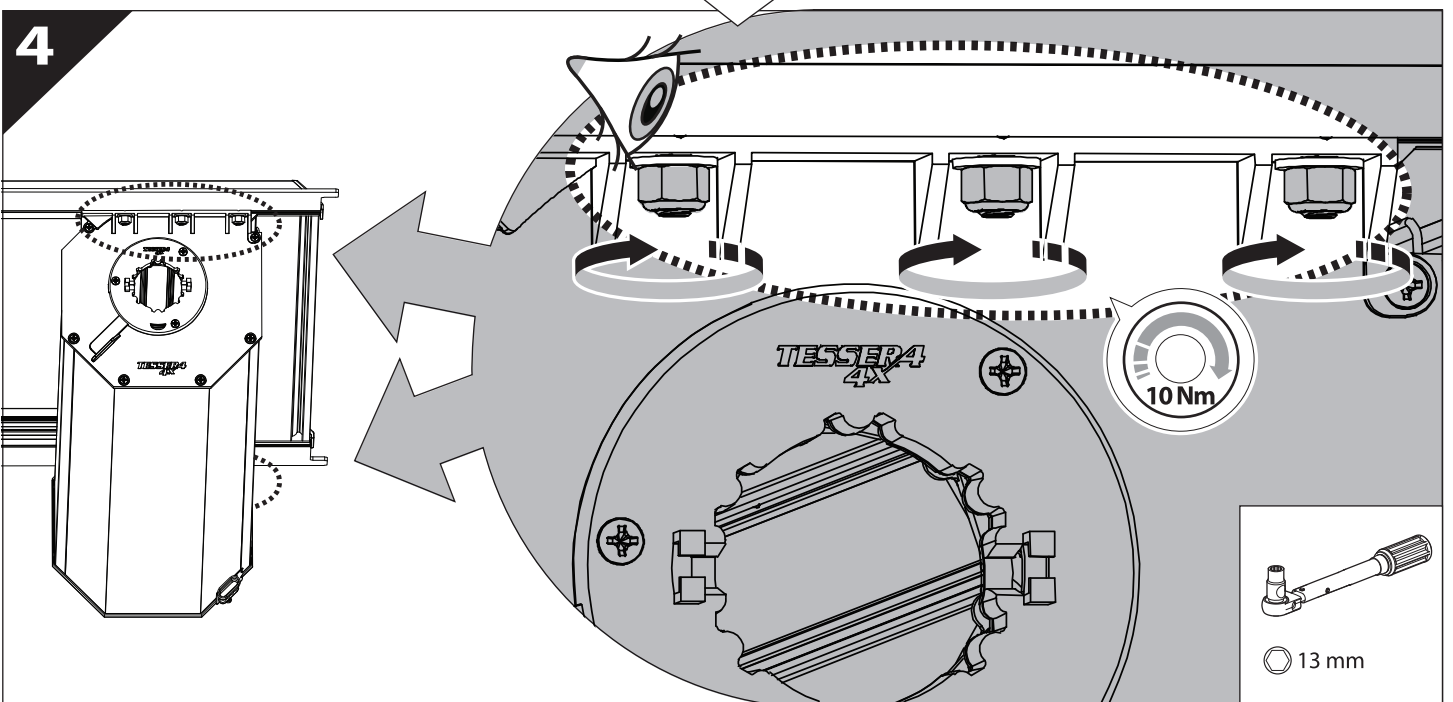


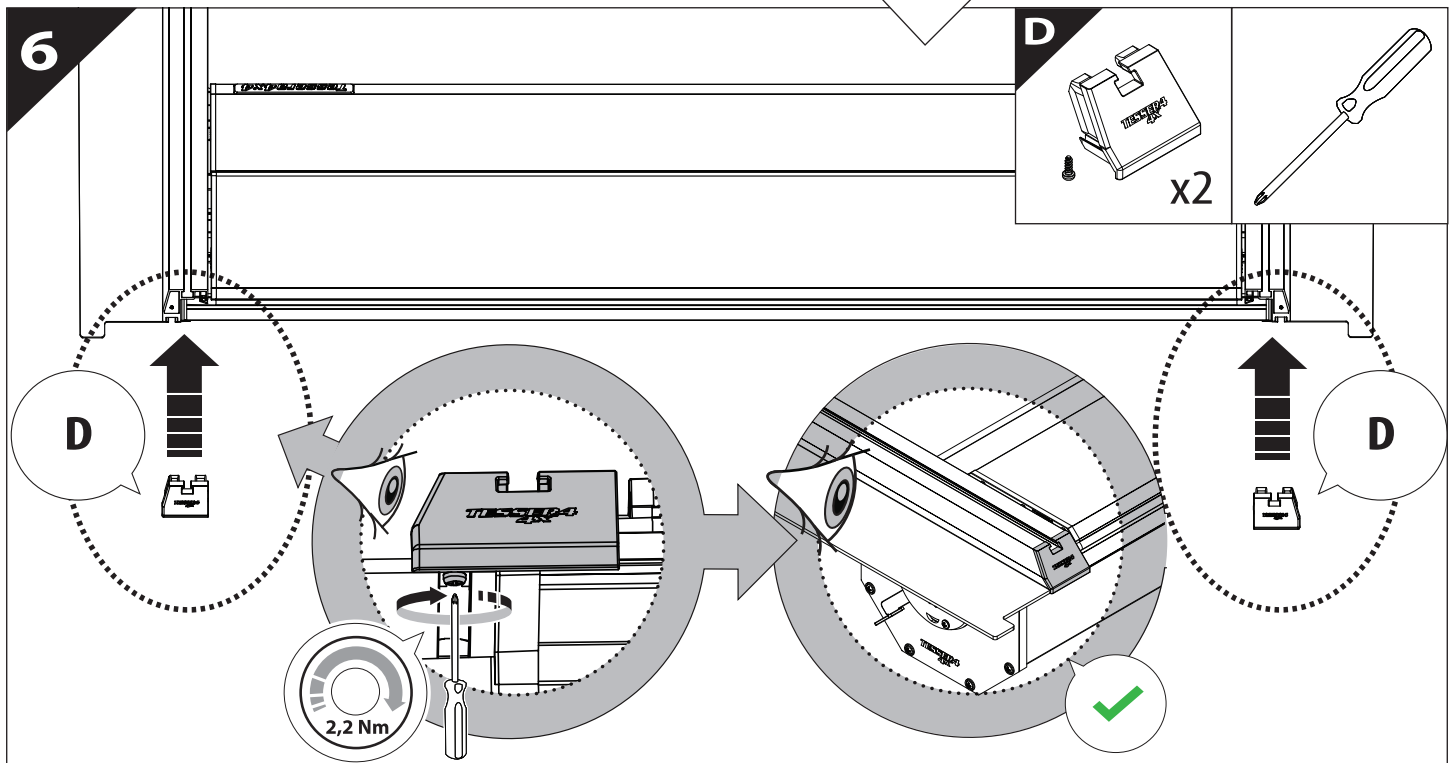
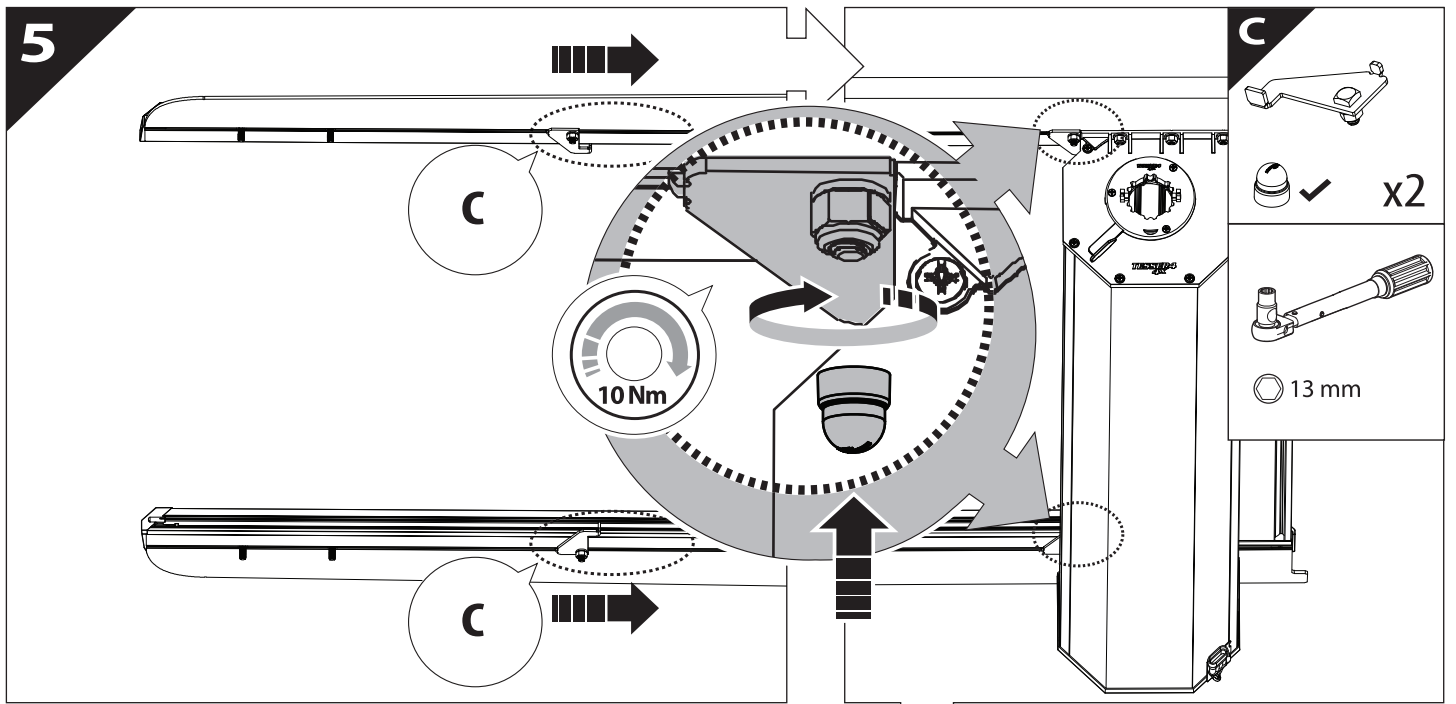


3

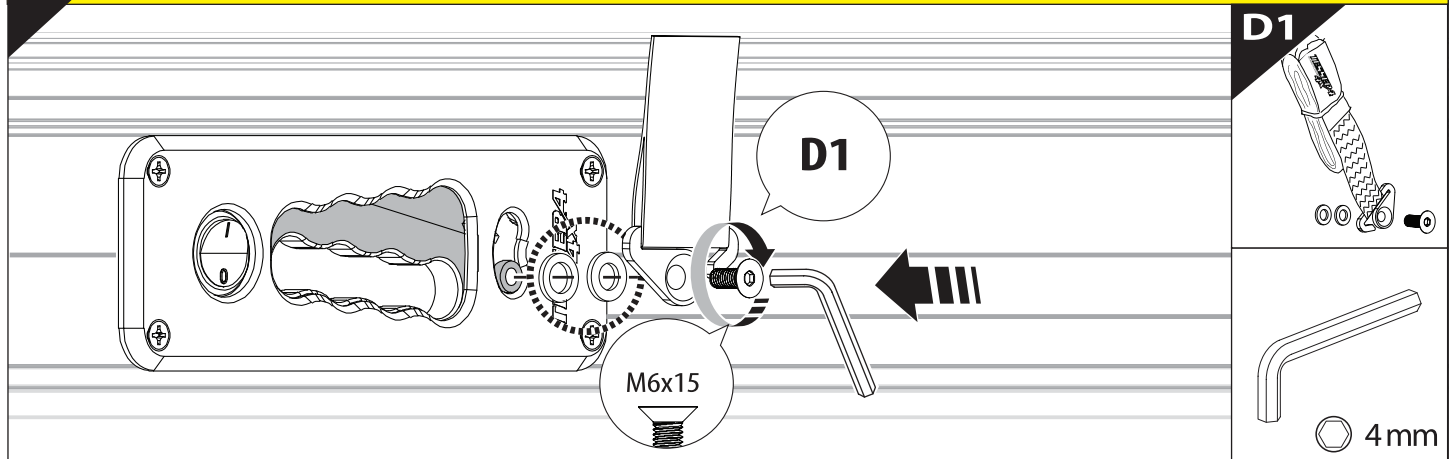


4

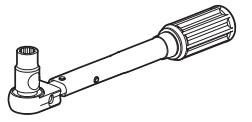




6.1 **CAUTION** Basic Version ✓ & Basic+S-KIT Version ✓

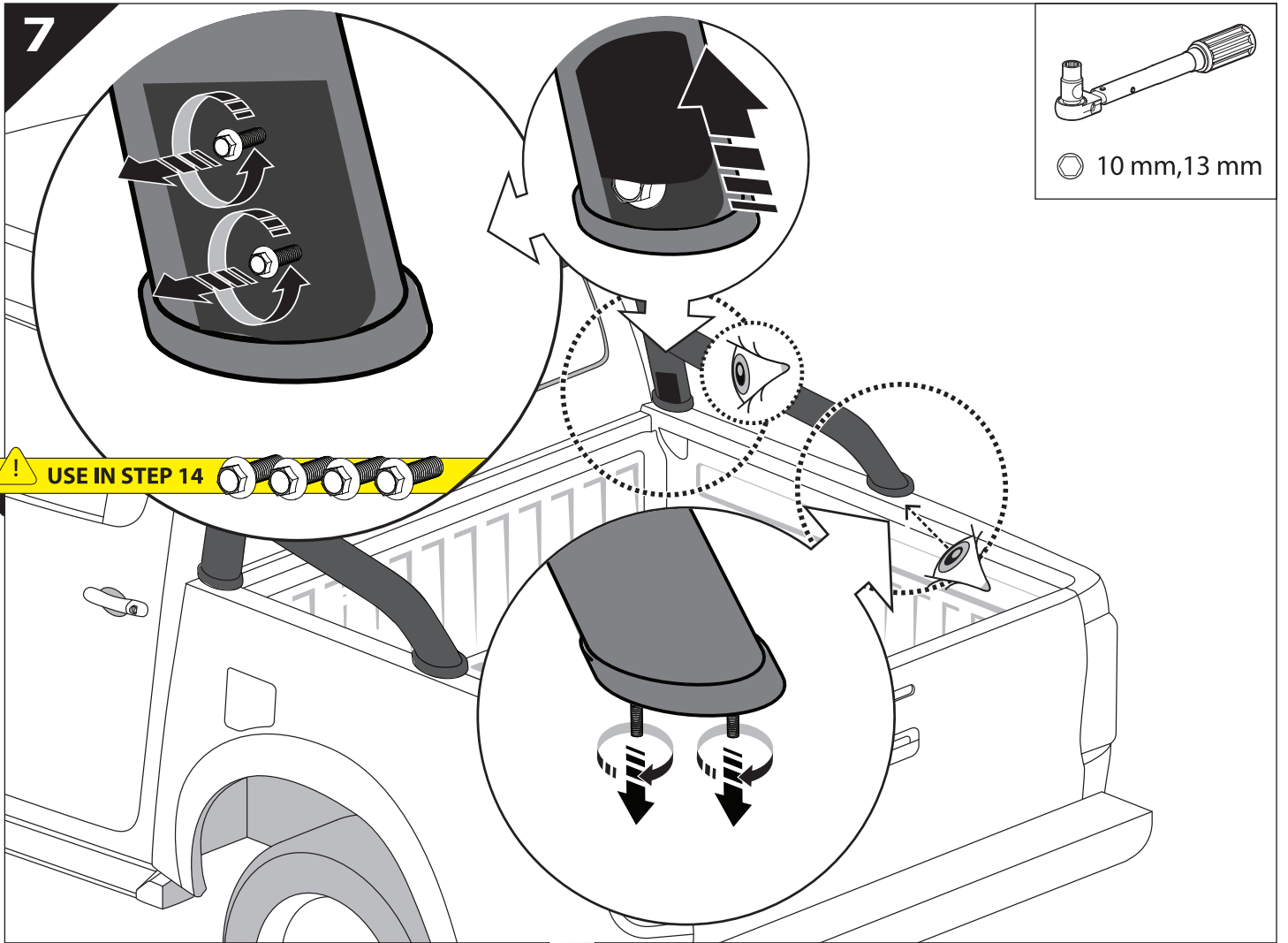


7



10 mm, 13 mm

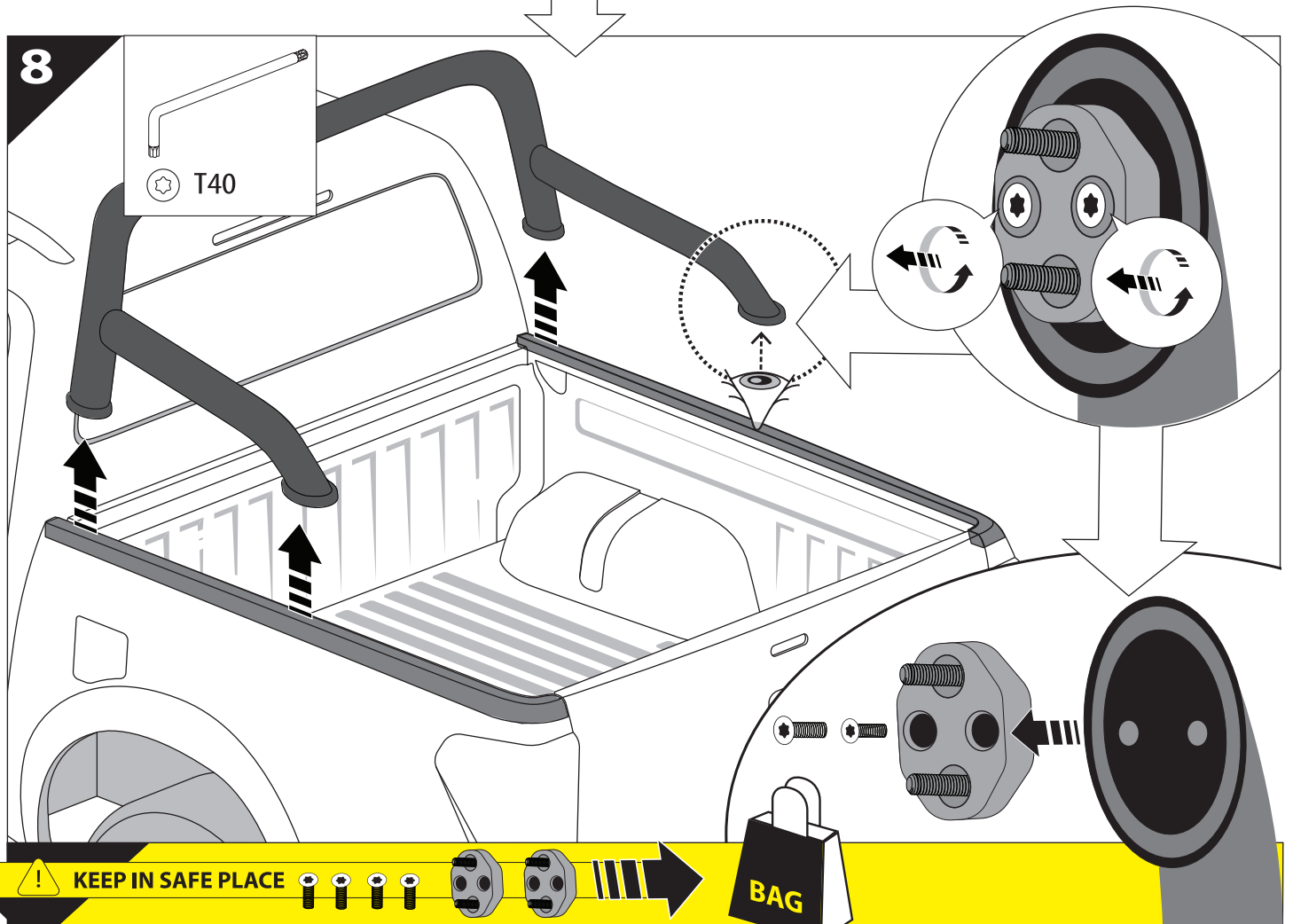
! USE IN STEP 14

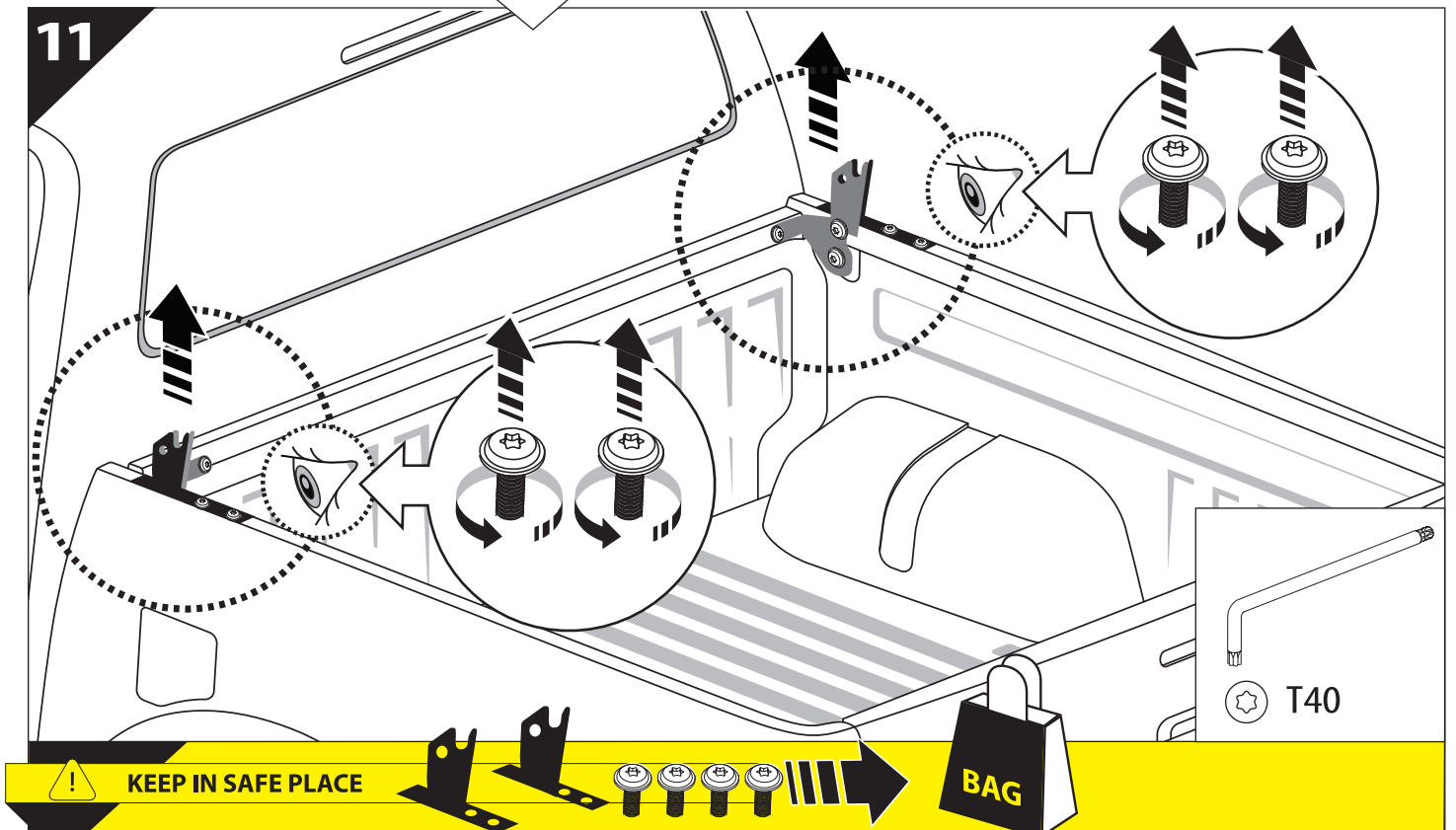
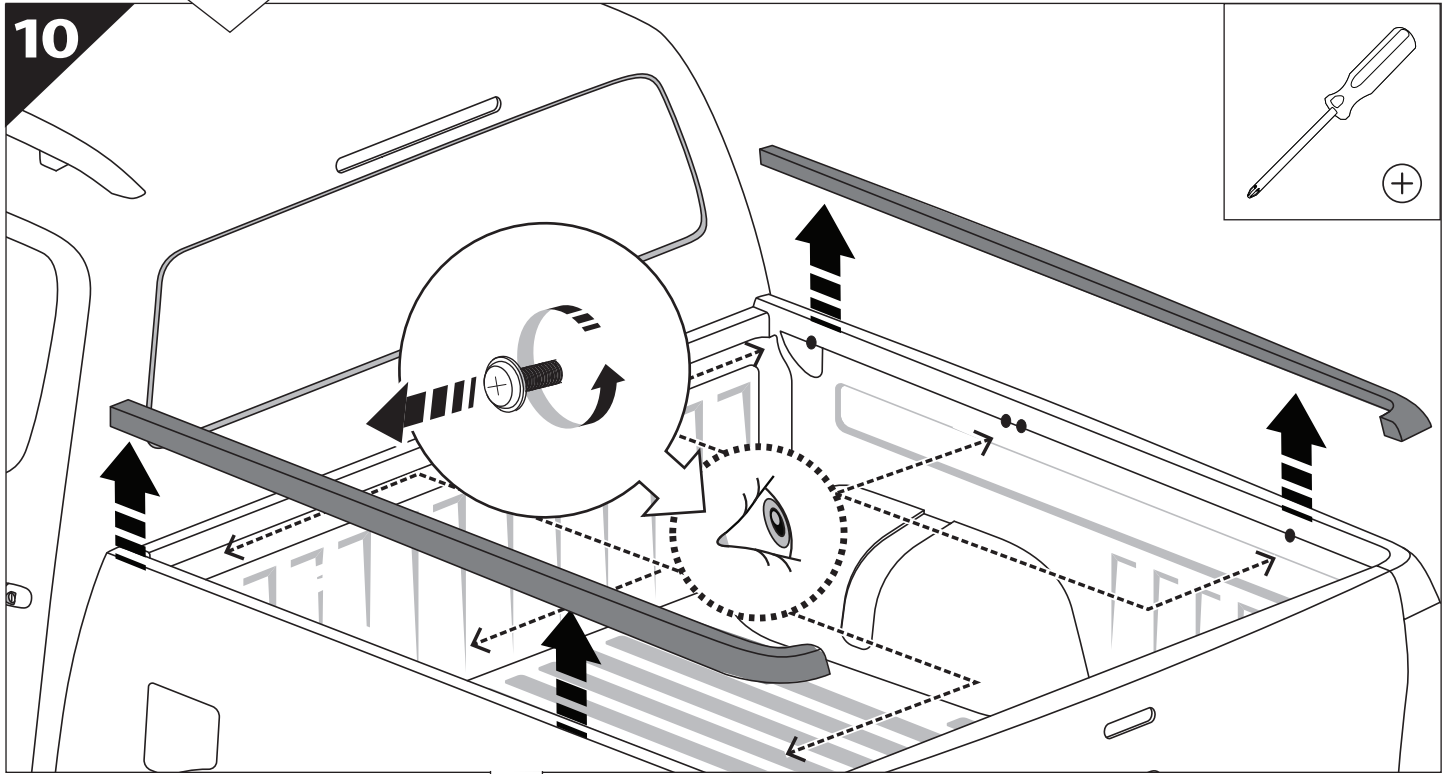
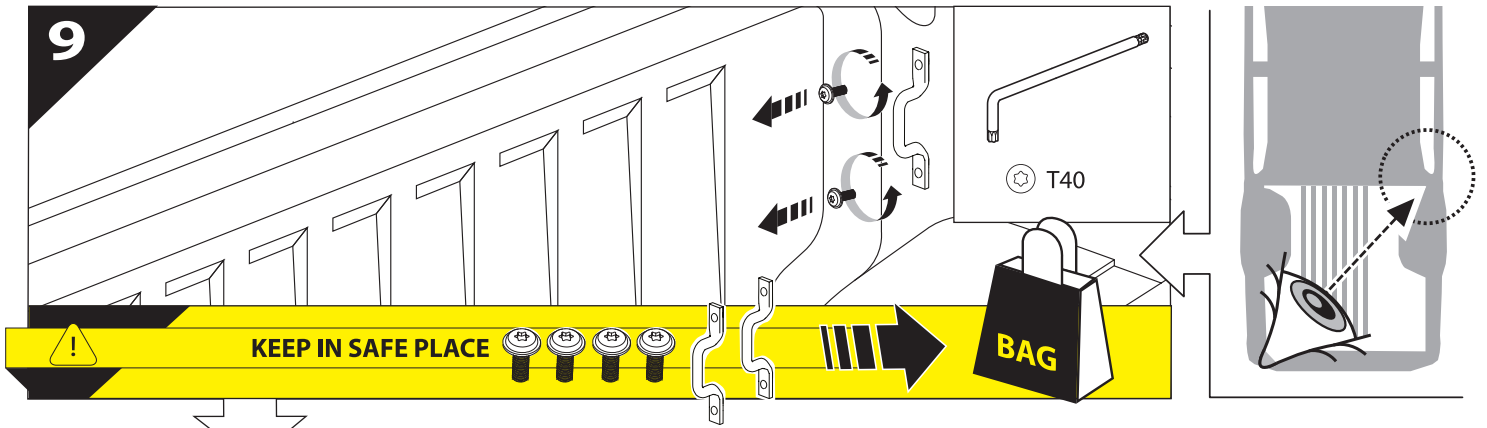


8

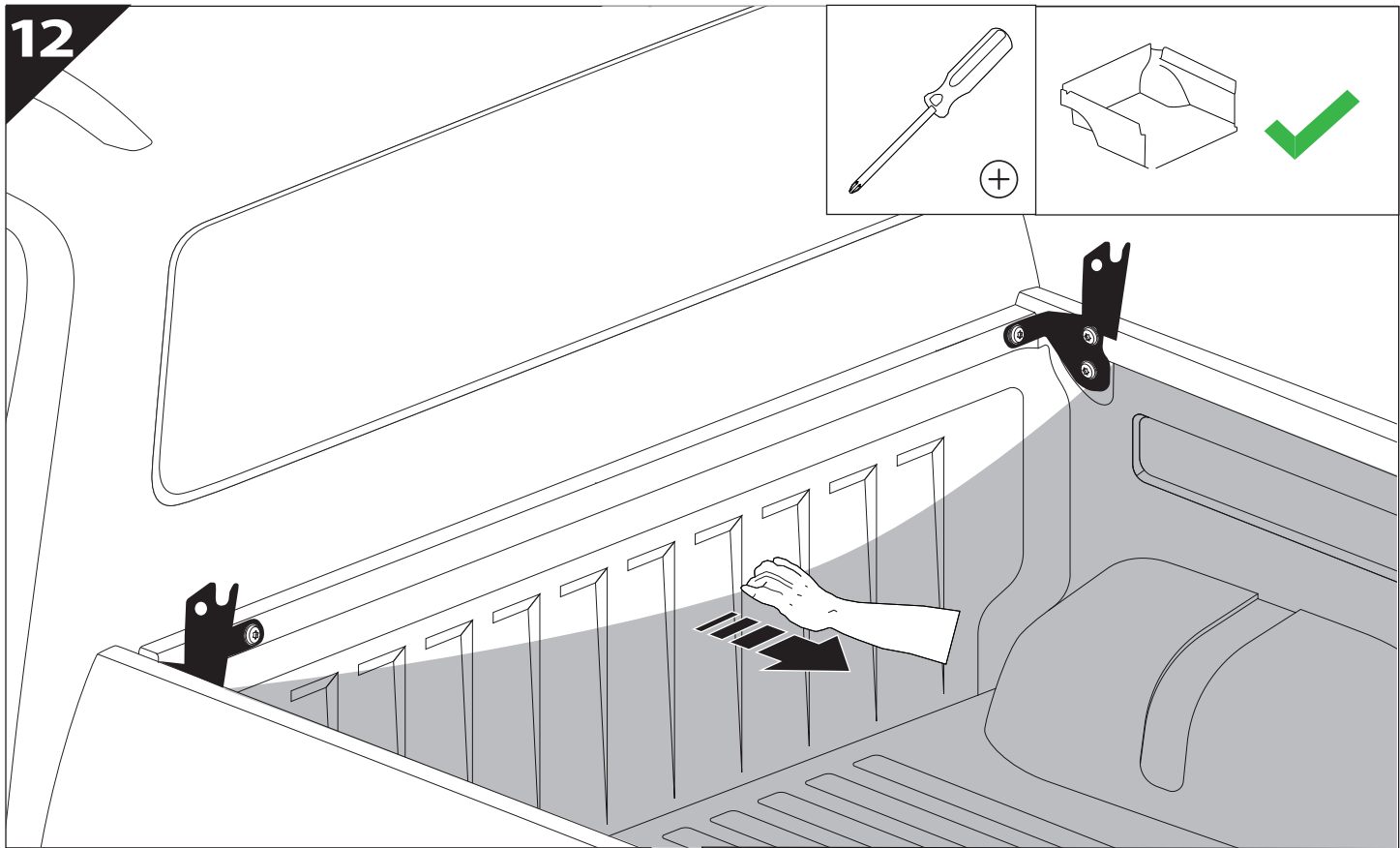


T40

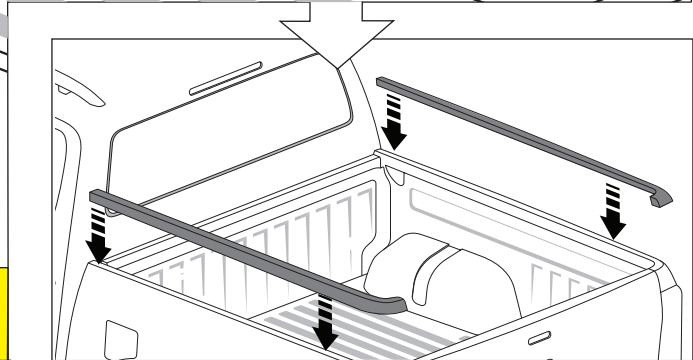
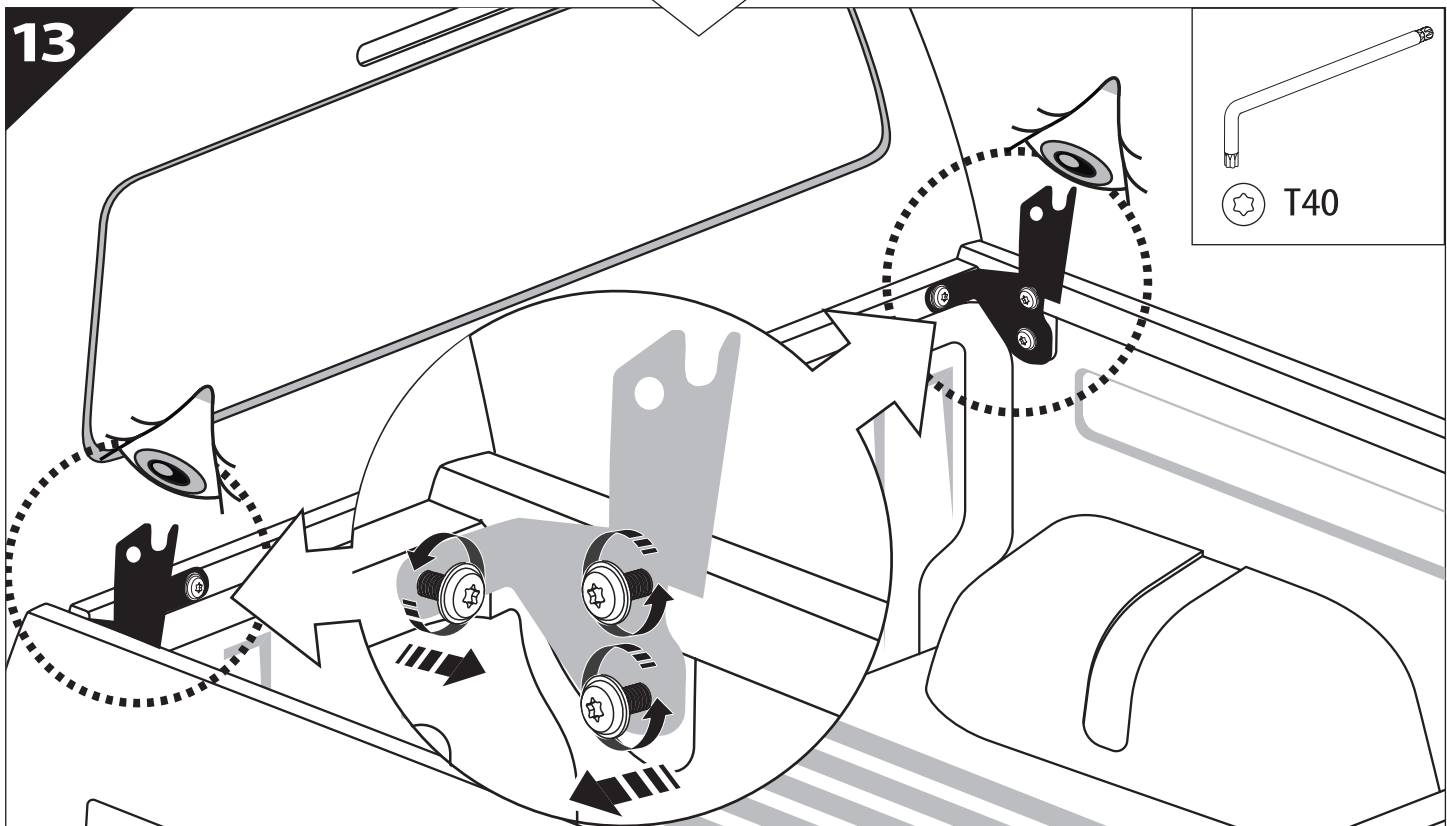




12

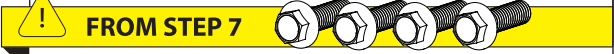
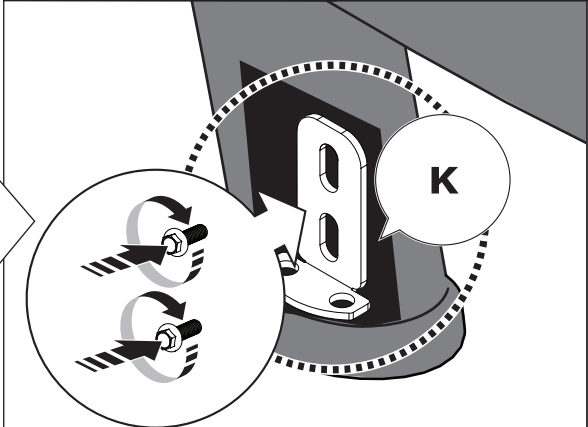
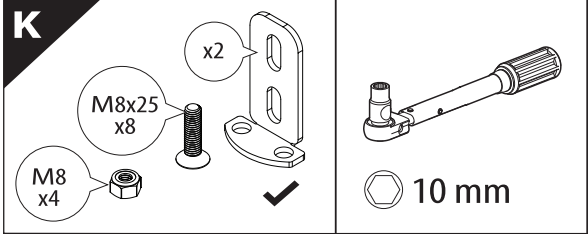
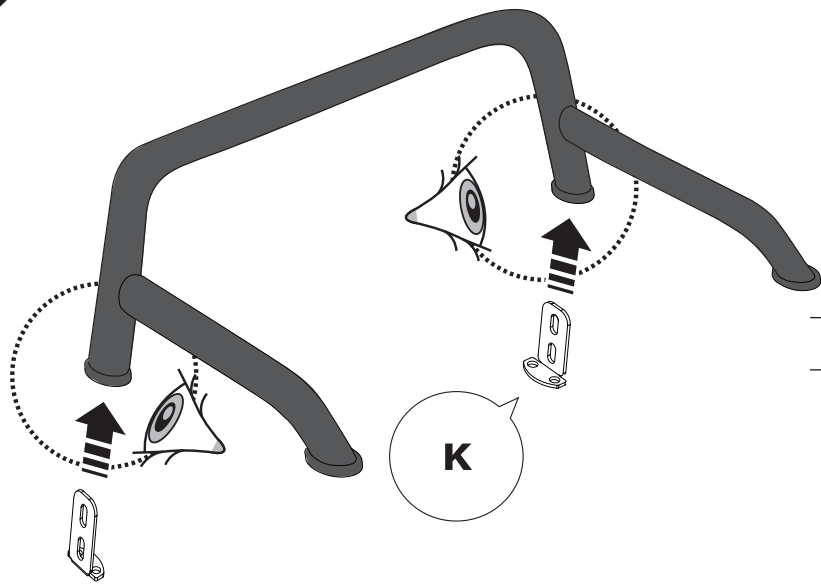


13



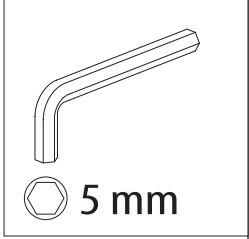
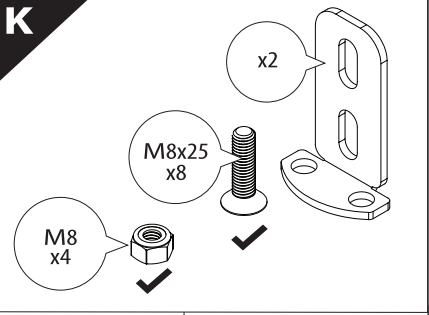
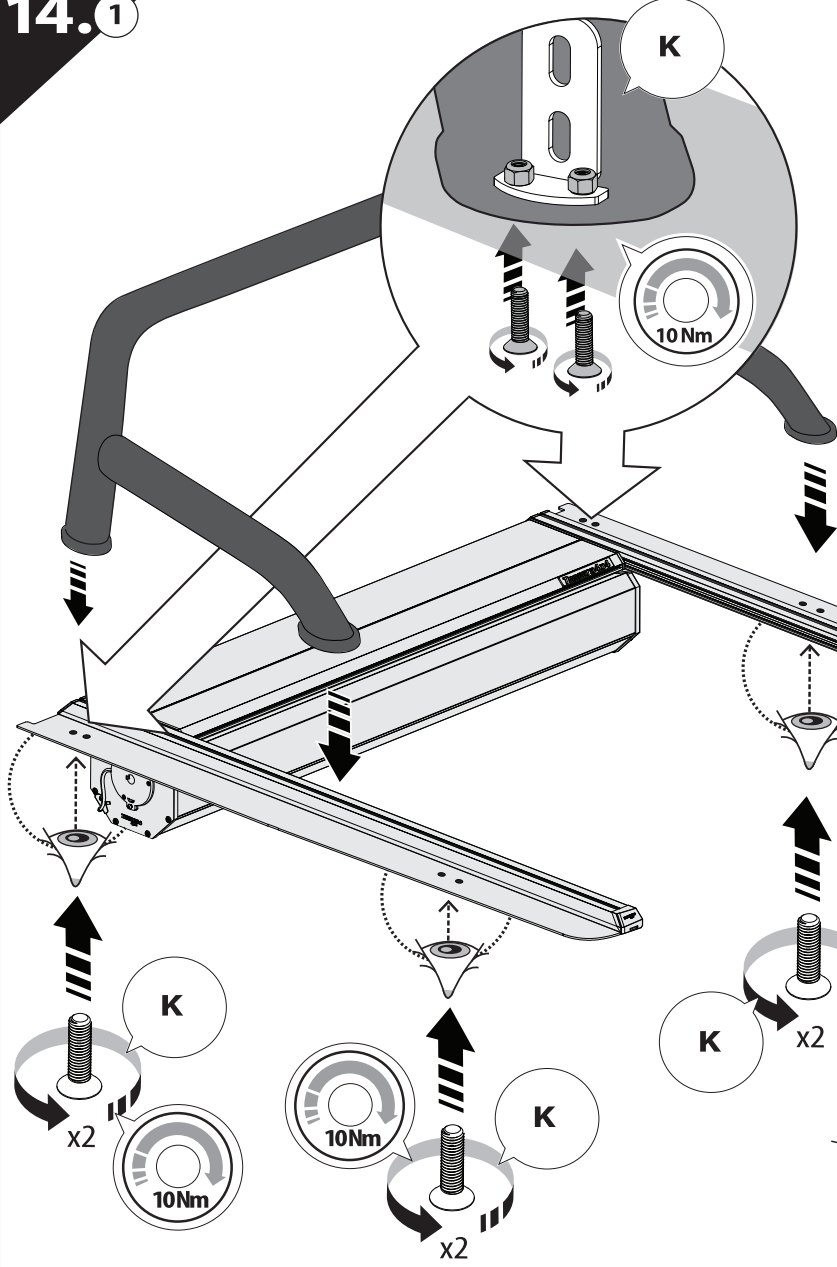
14

K

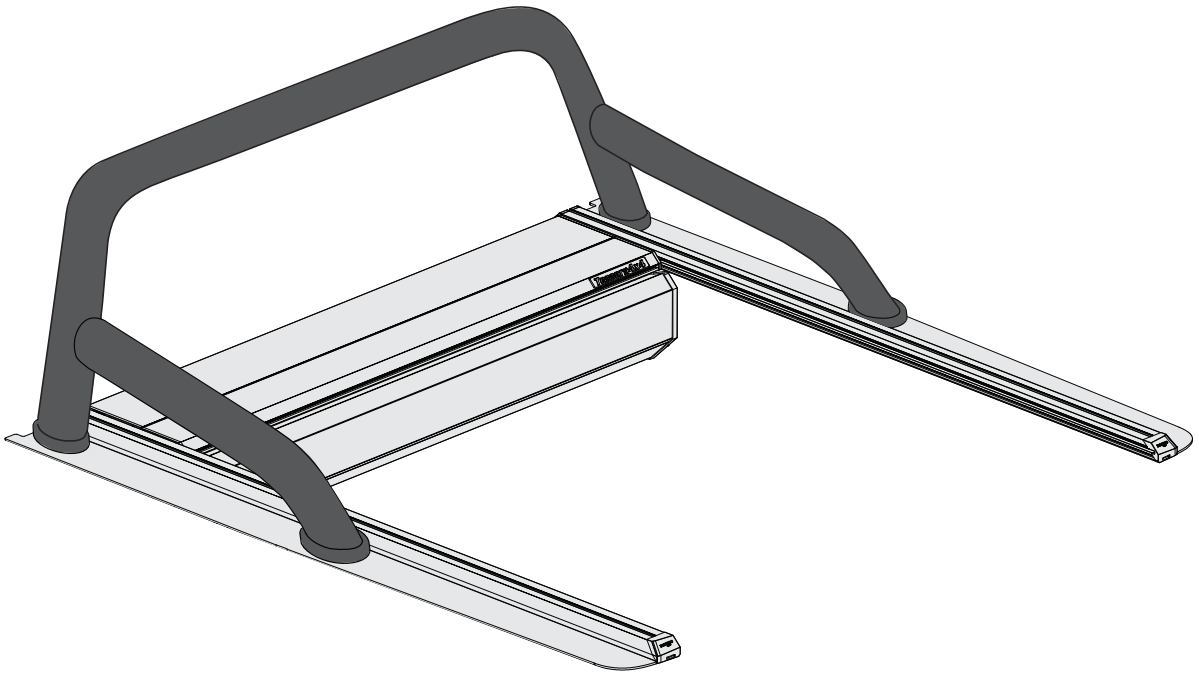


14.0

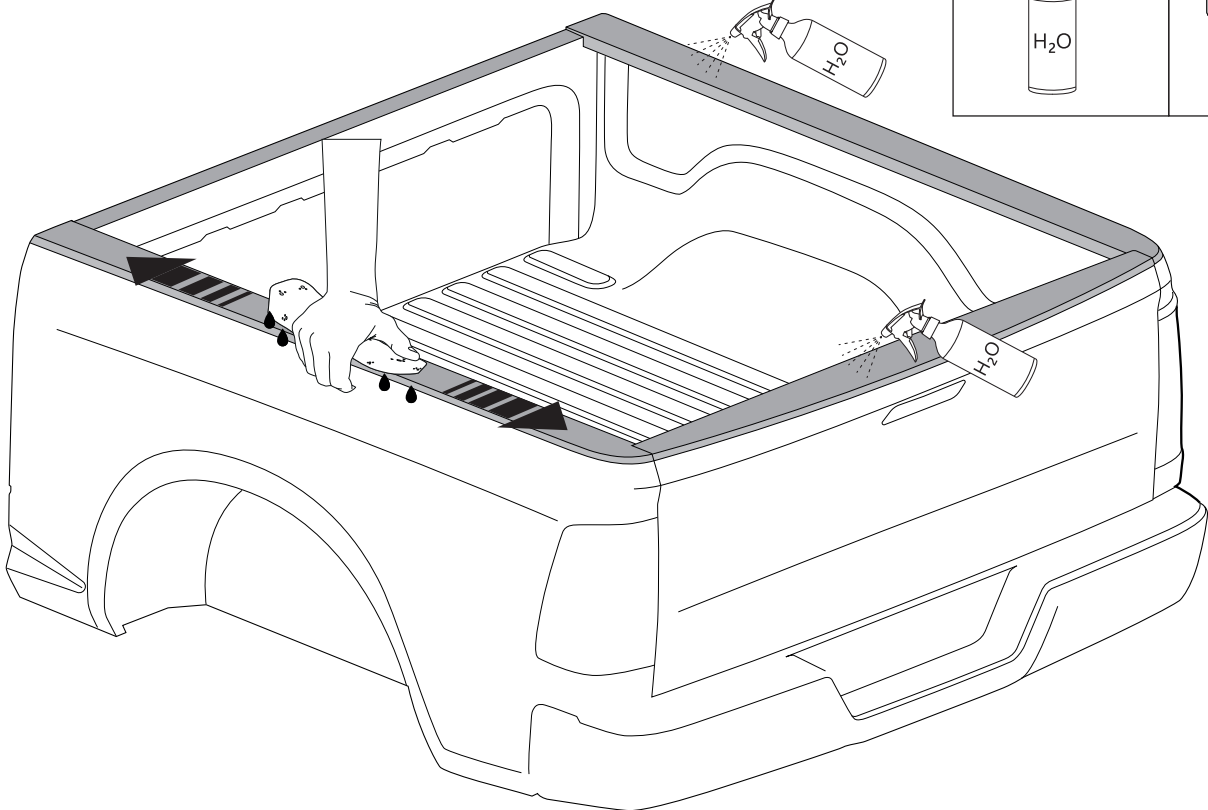
K



15



16



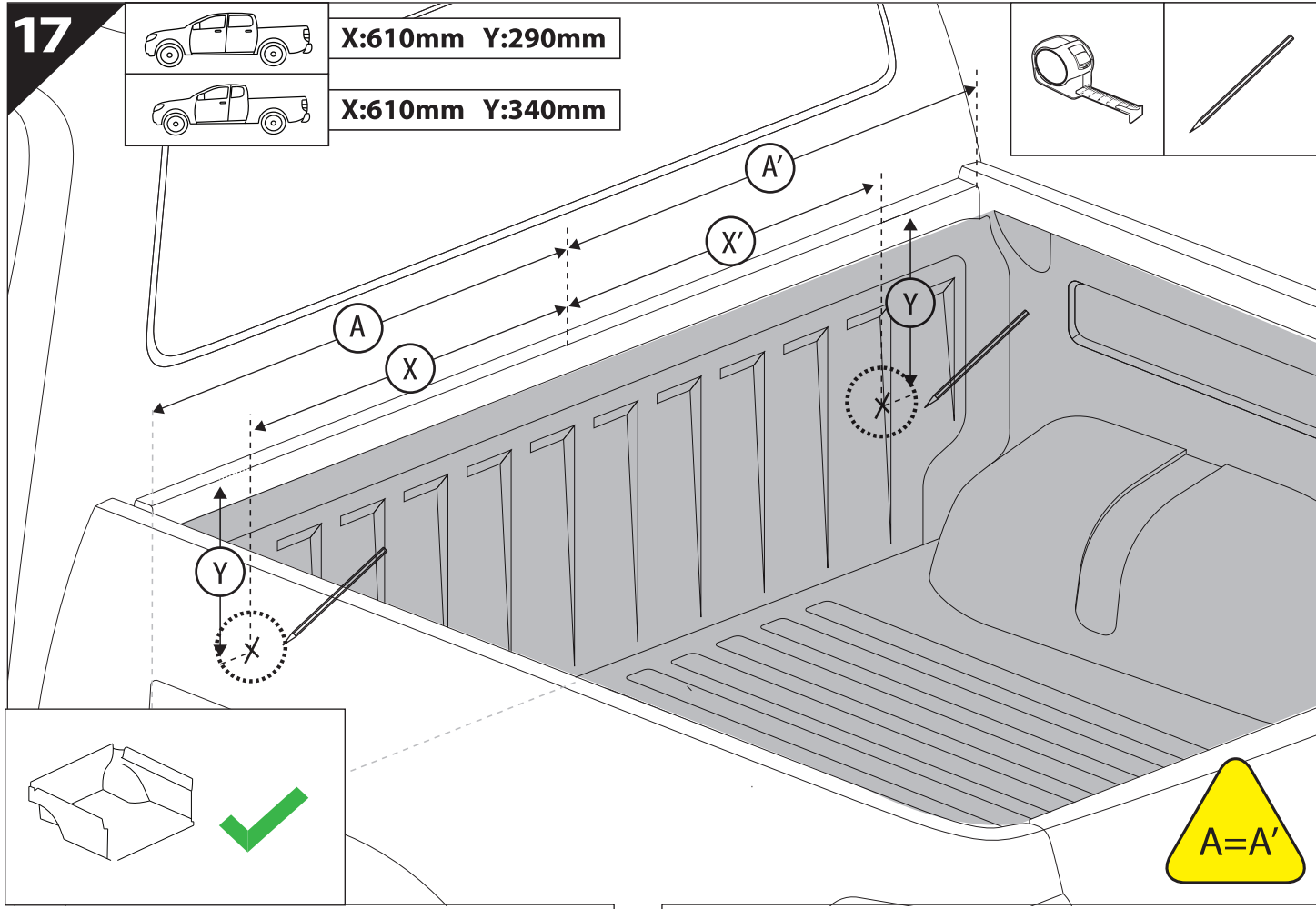
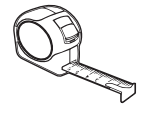
17



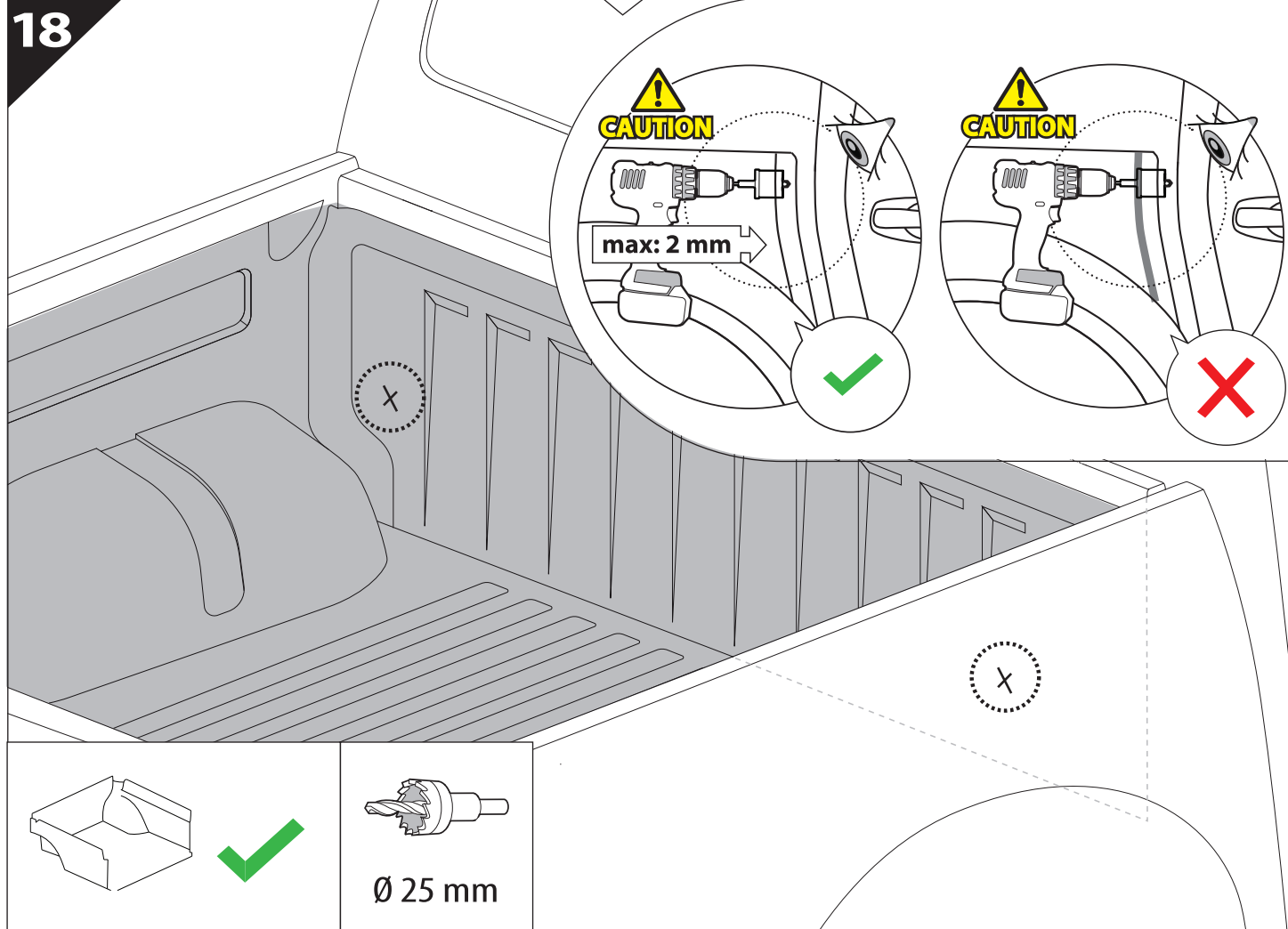
X:610mm Y:290mm

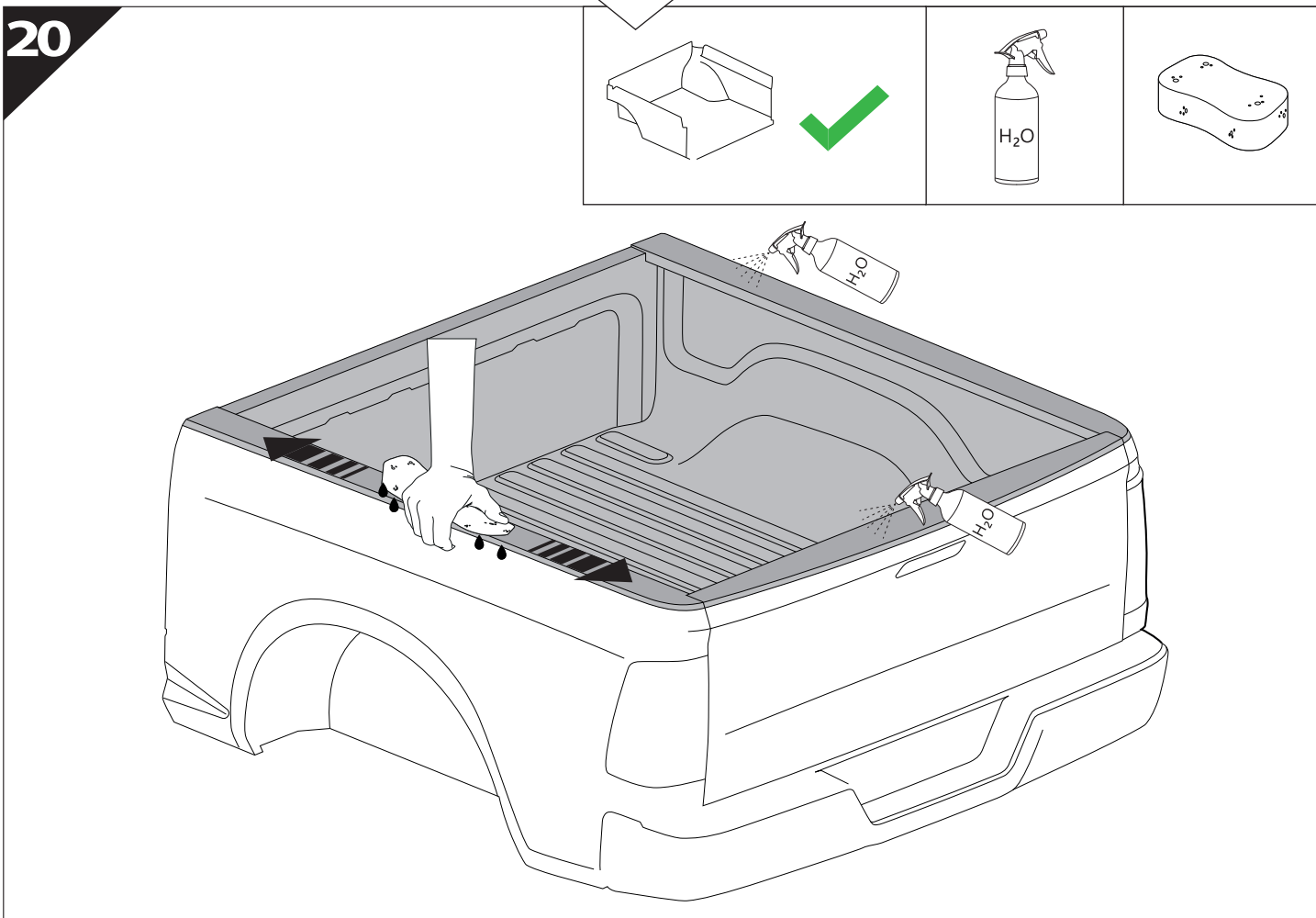
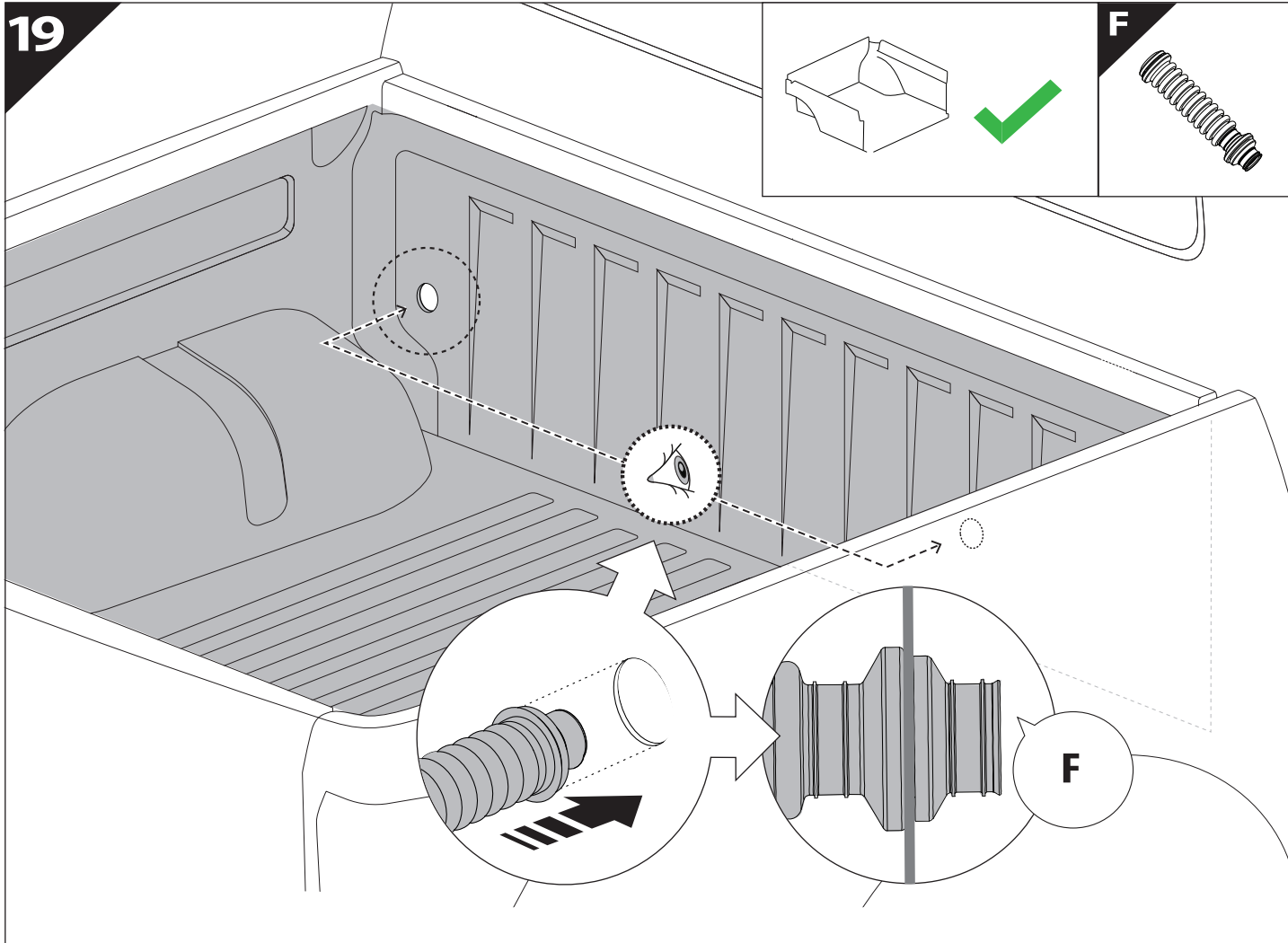


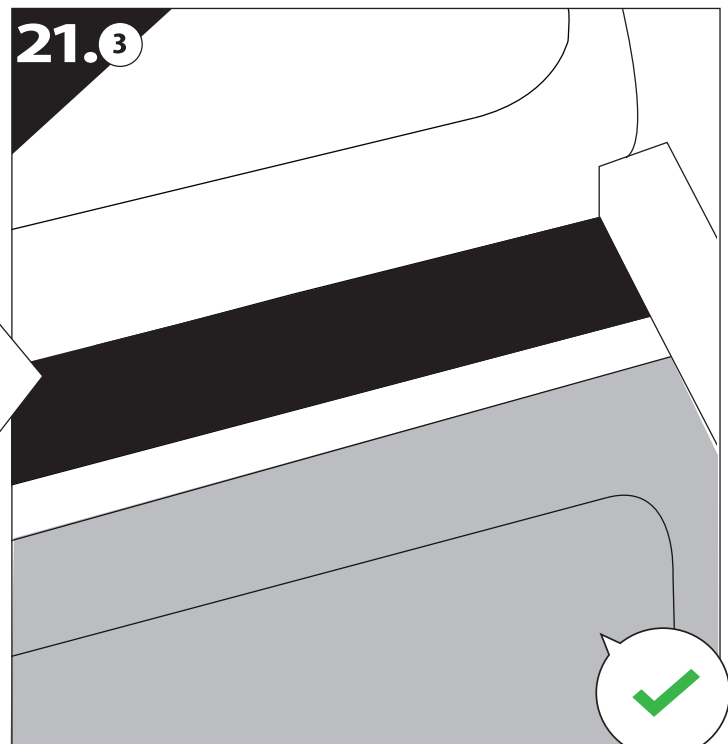
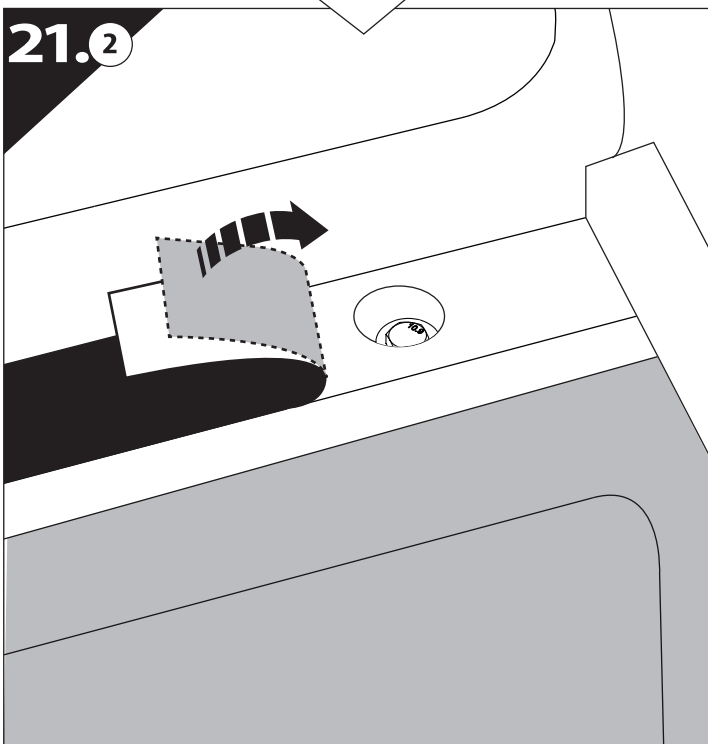
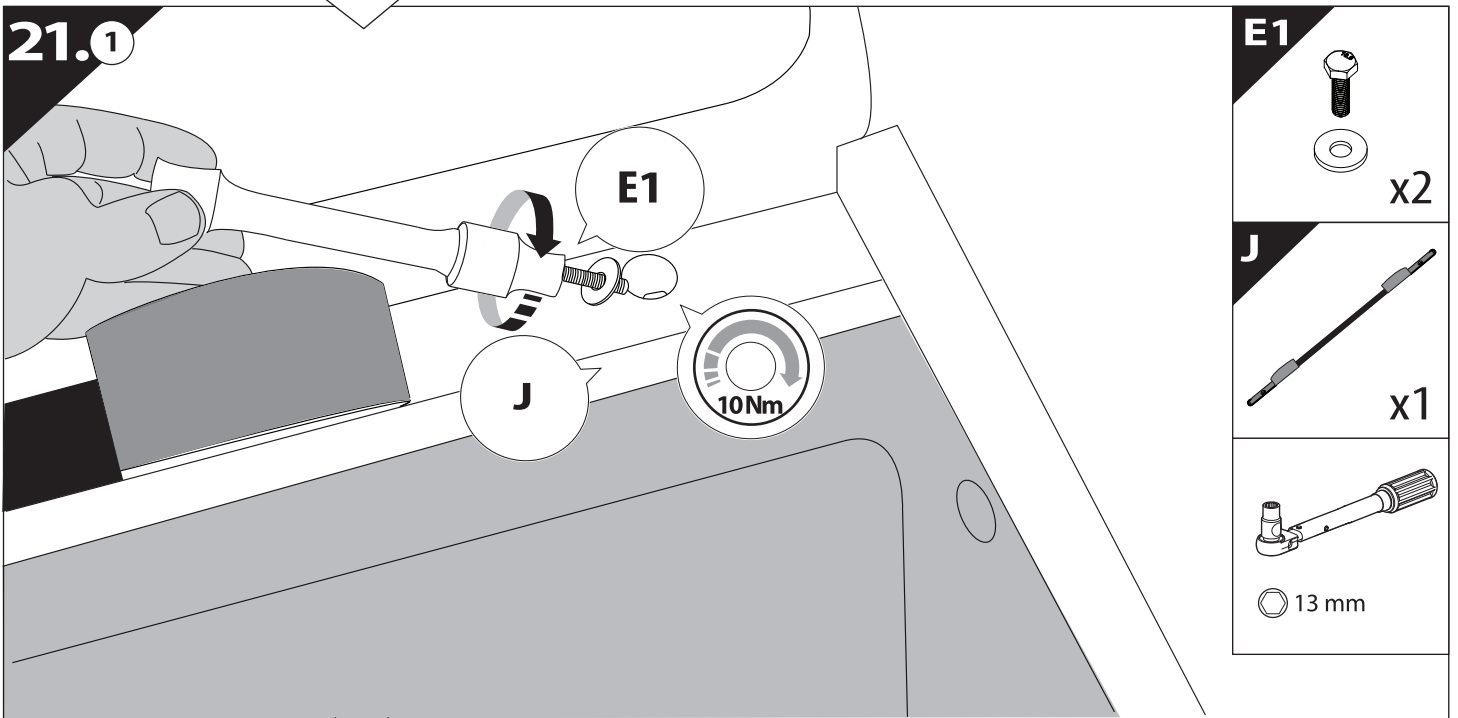
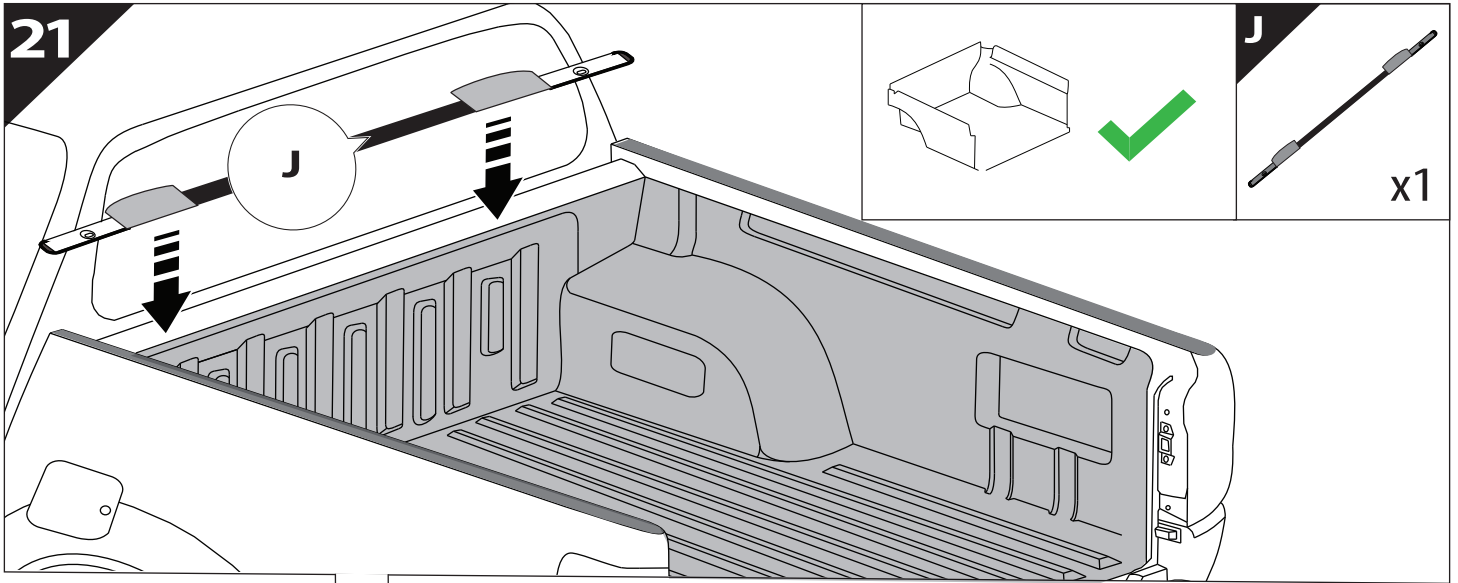
X:610mm Y:340mm



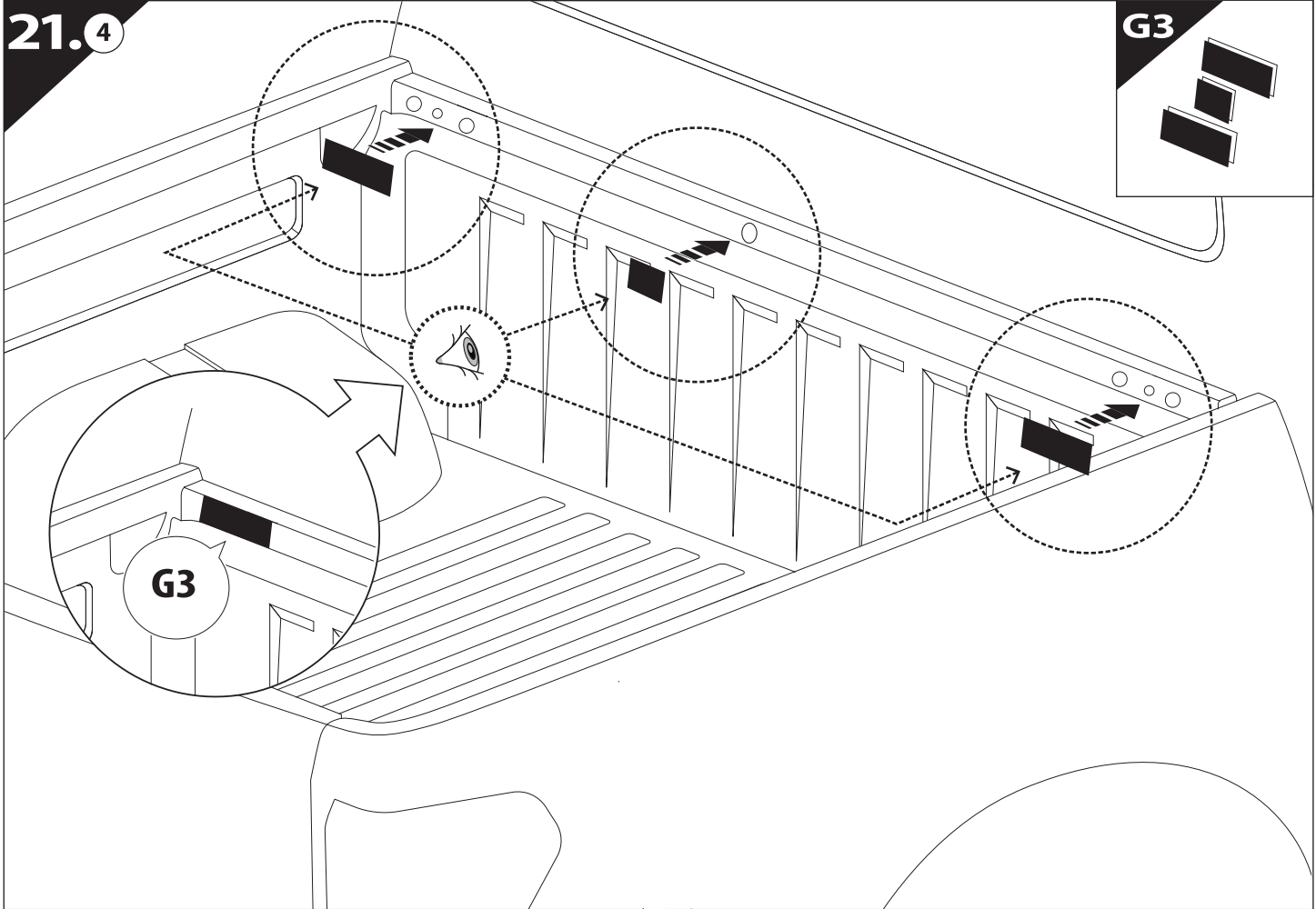
18



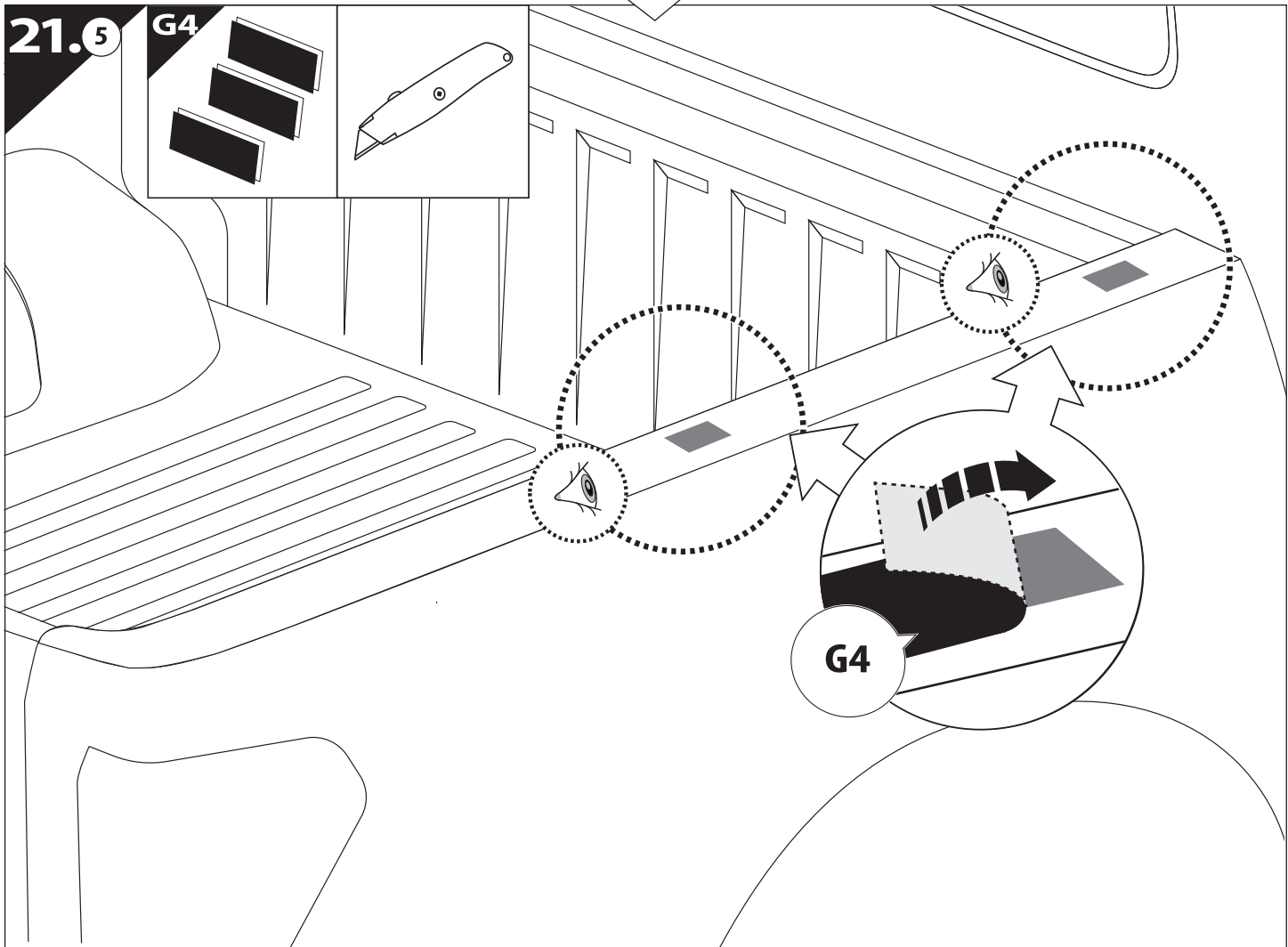
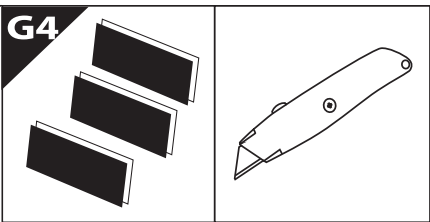


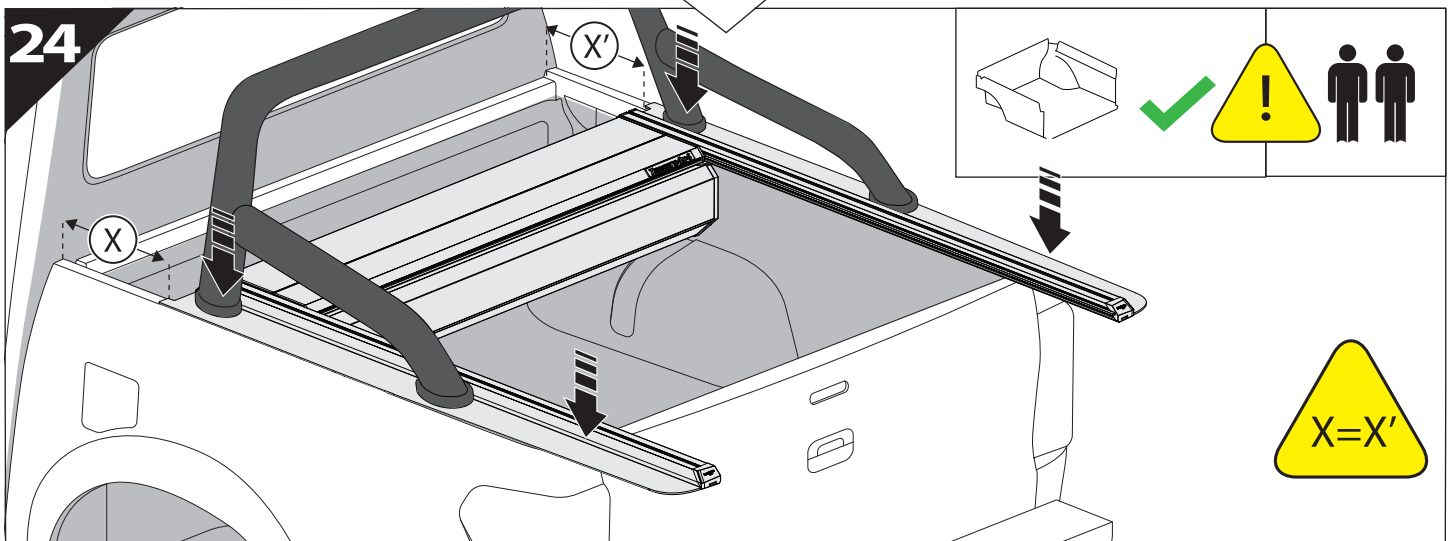
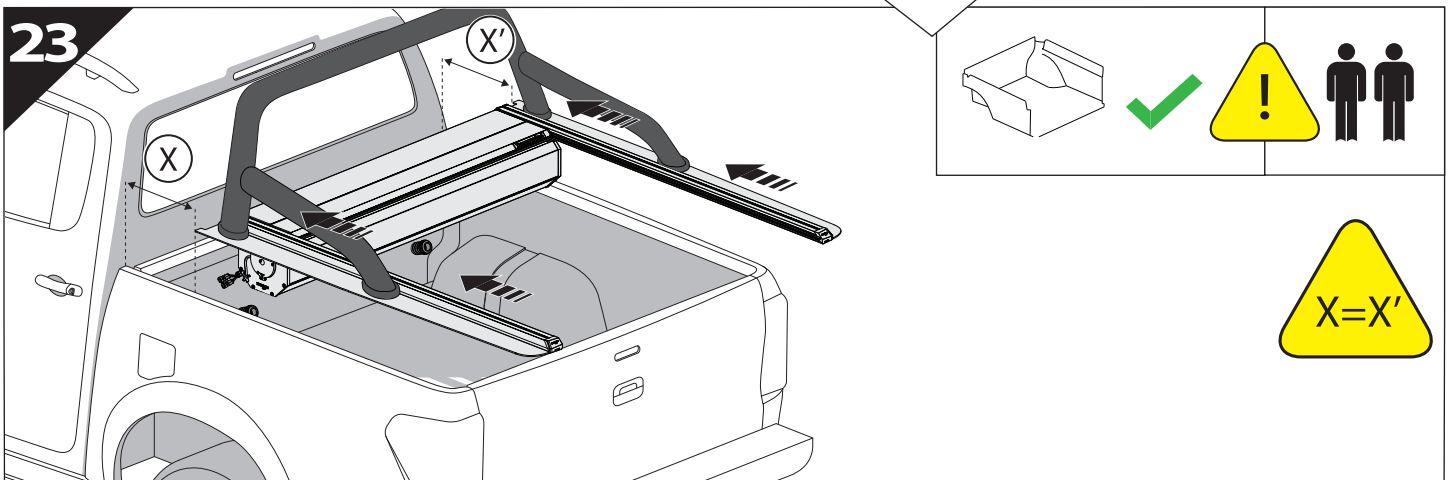
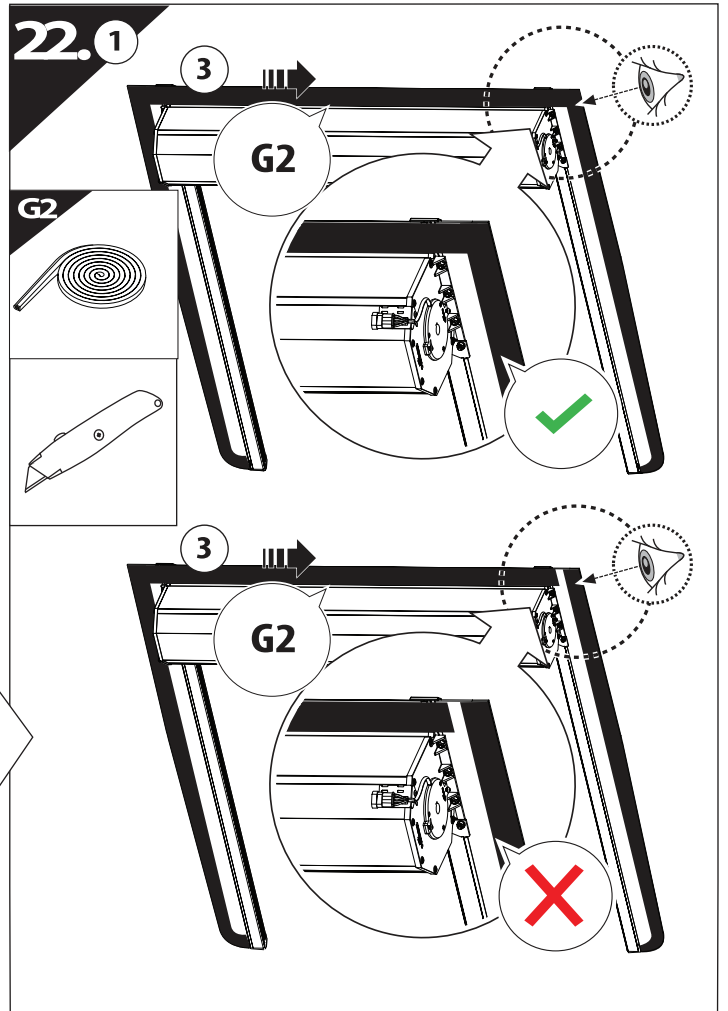
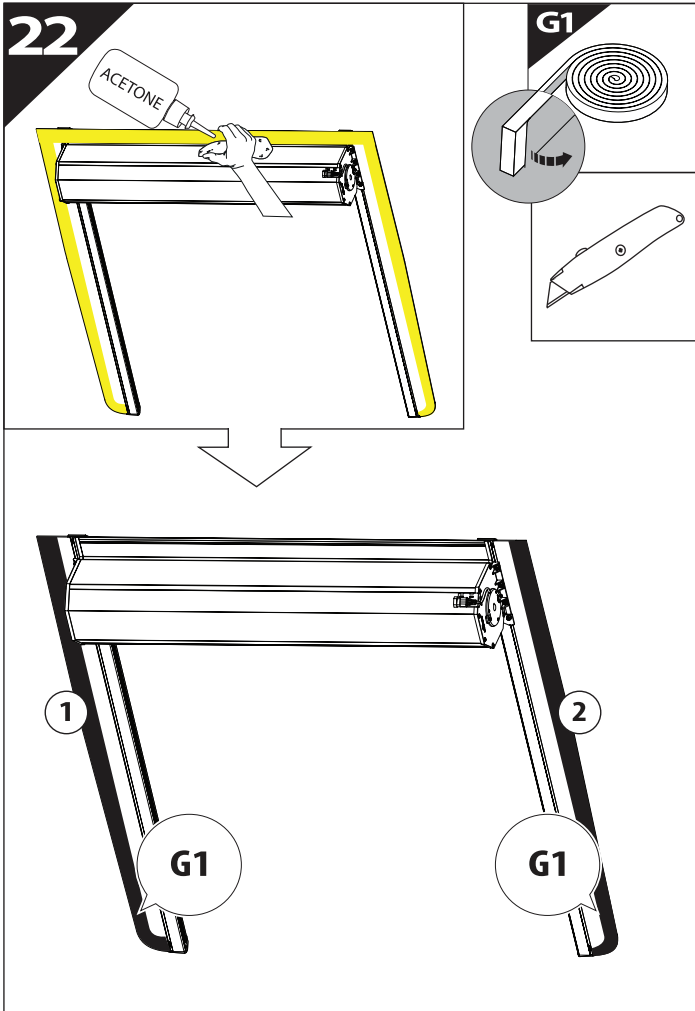


21.4

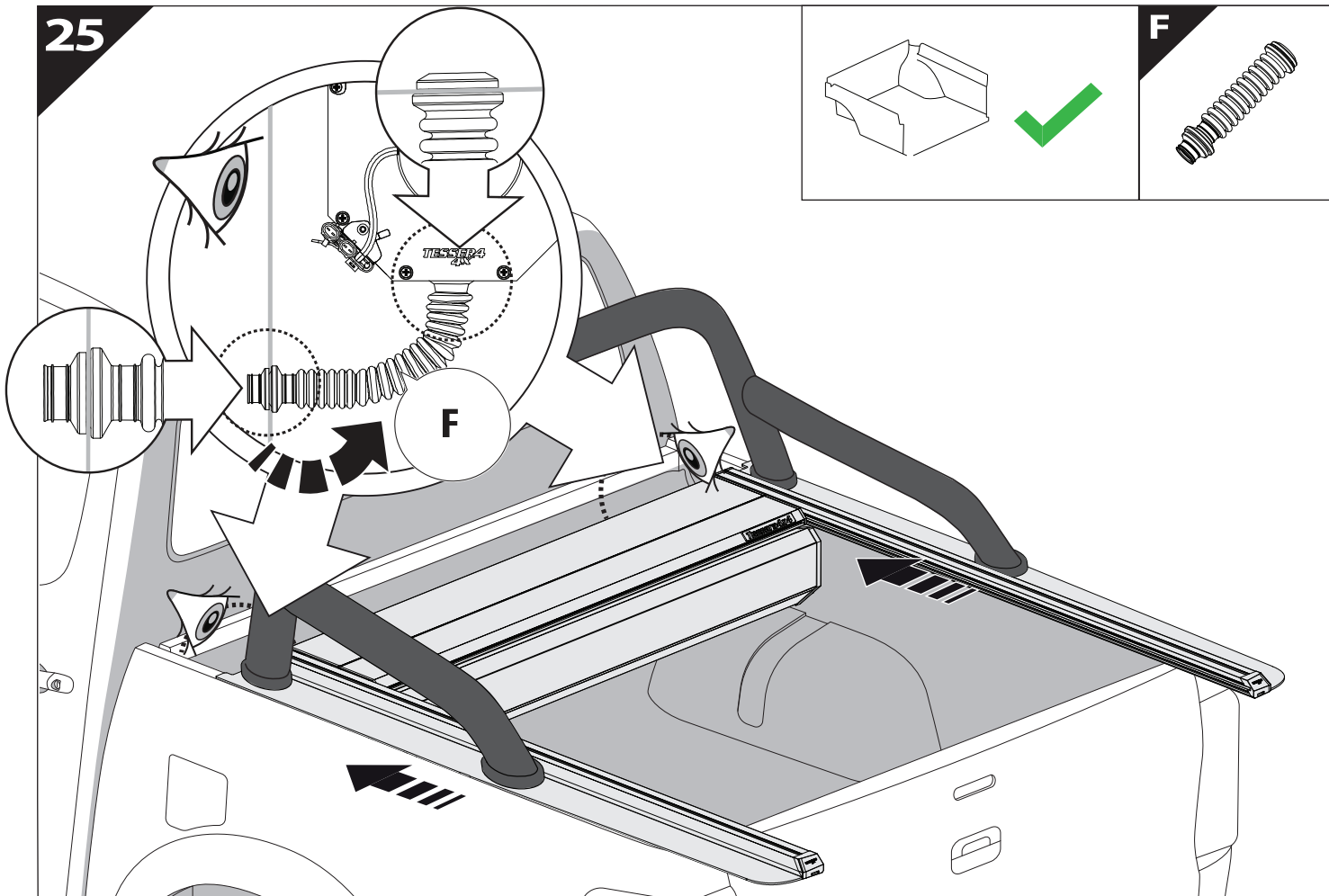


21.5

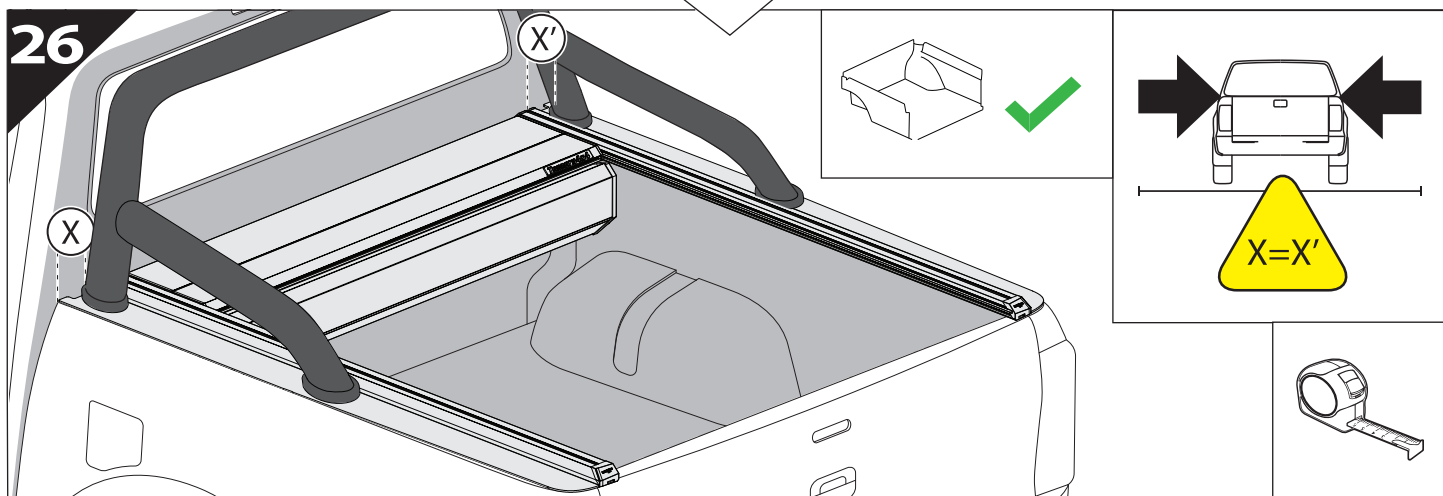




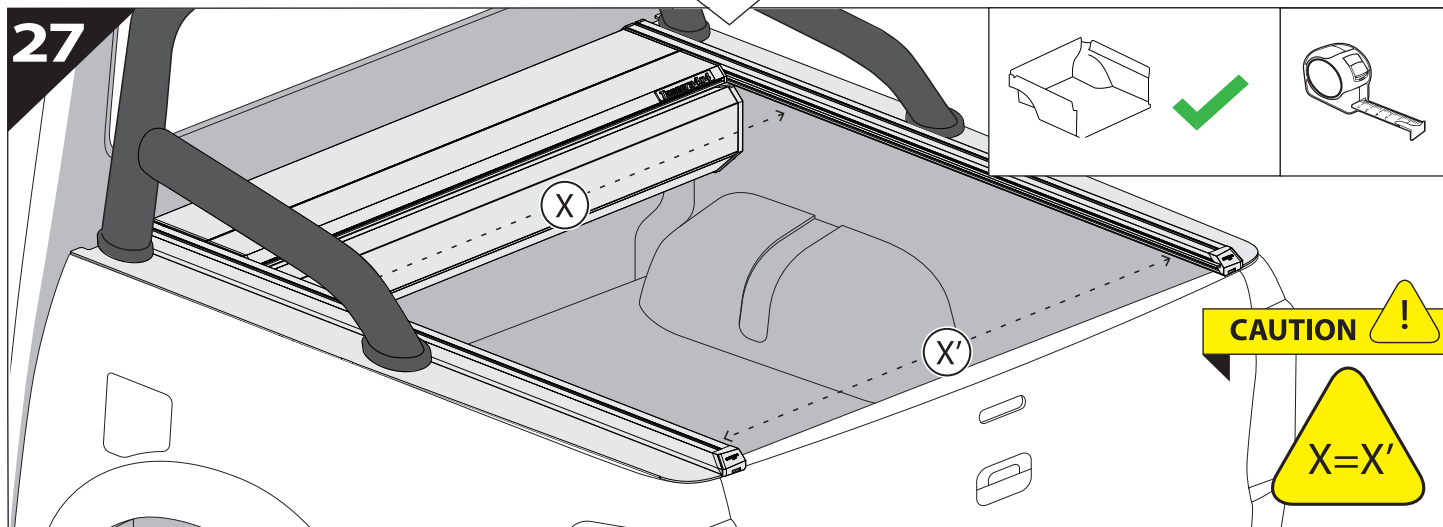
25



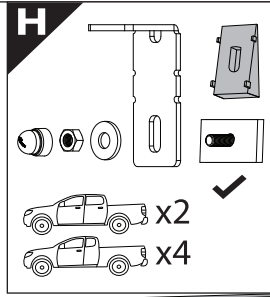
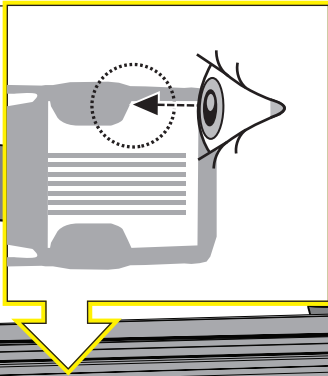
26



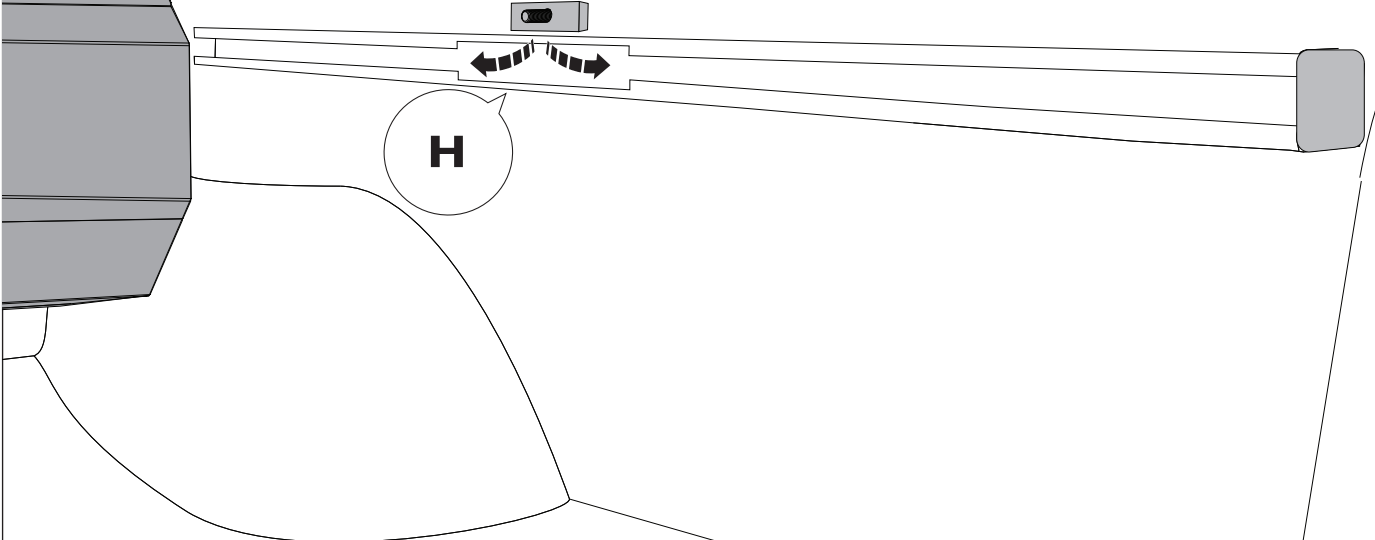
27



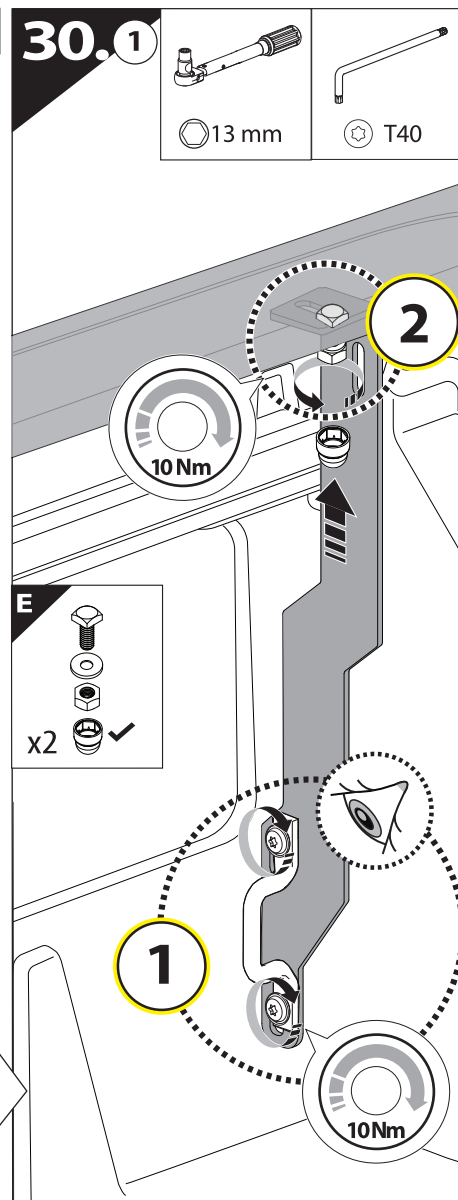
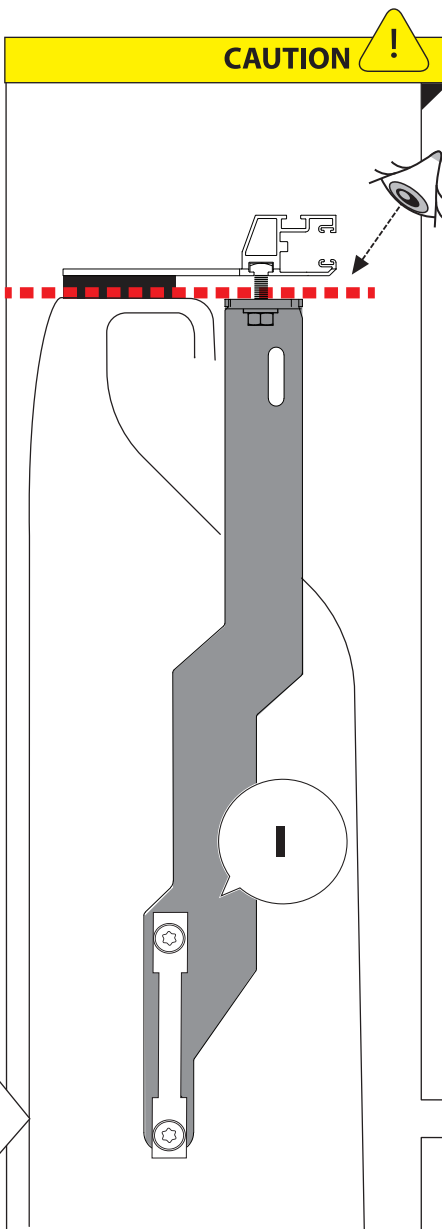
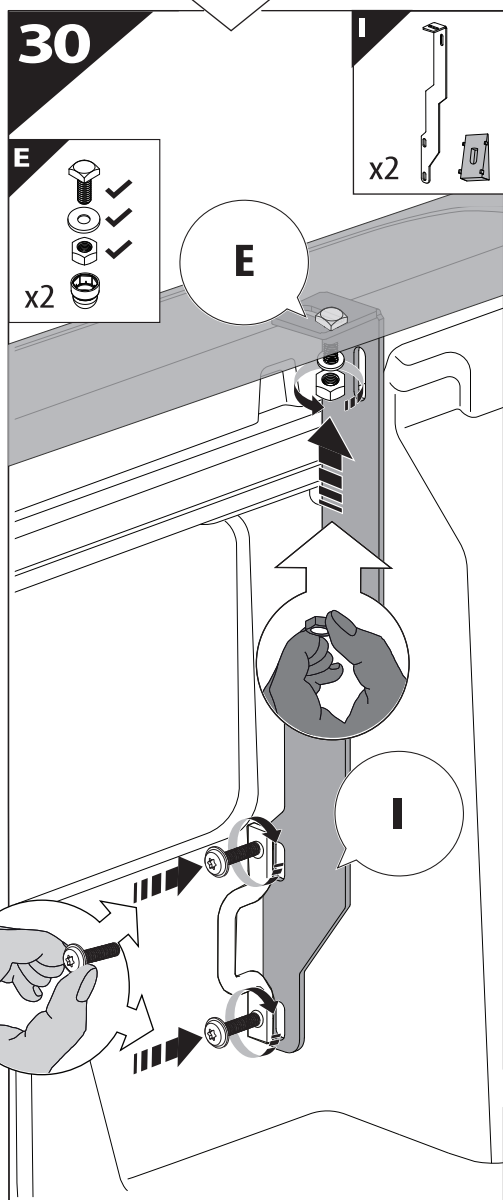
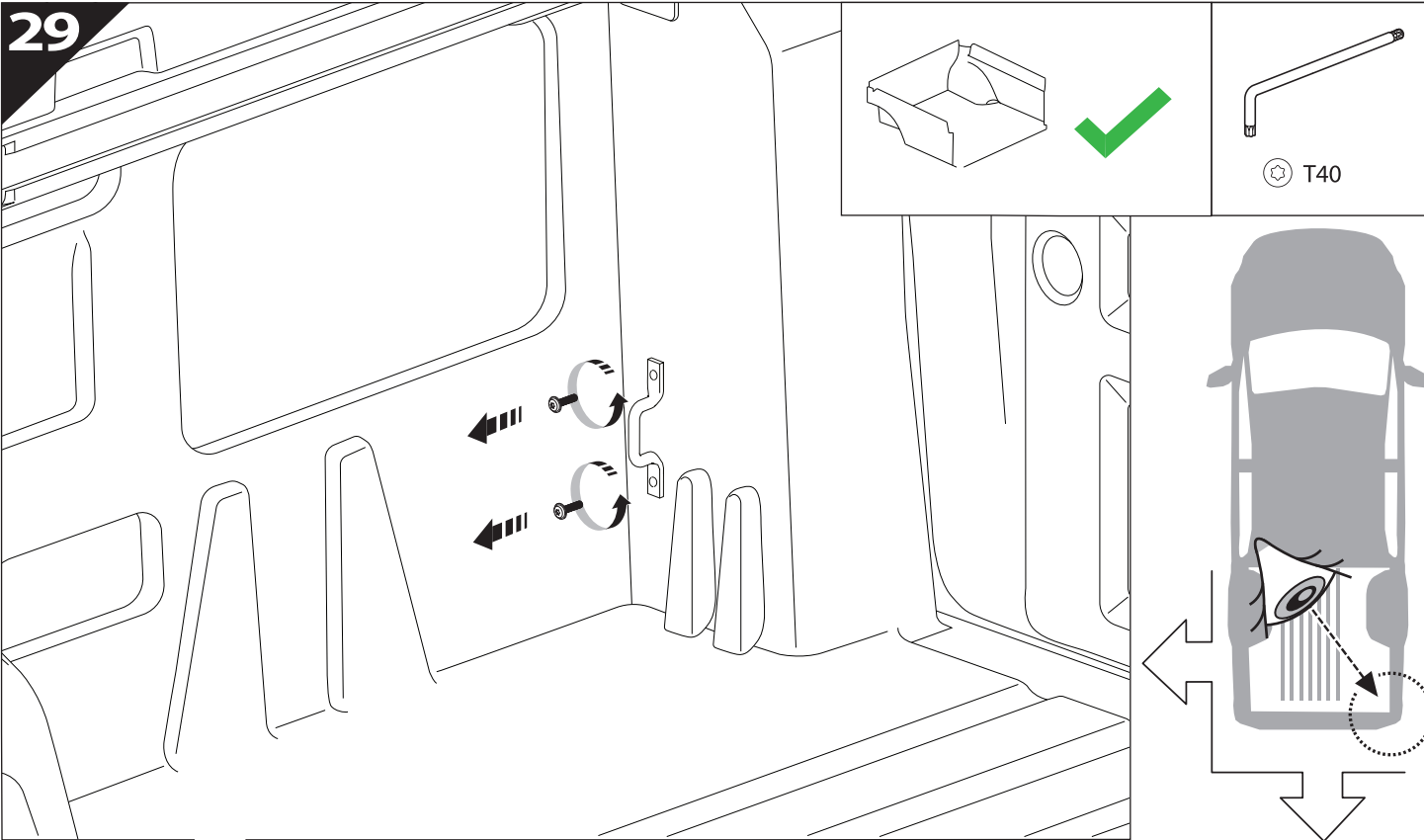
28



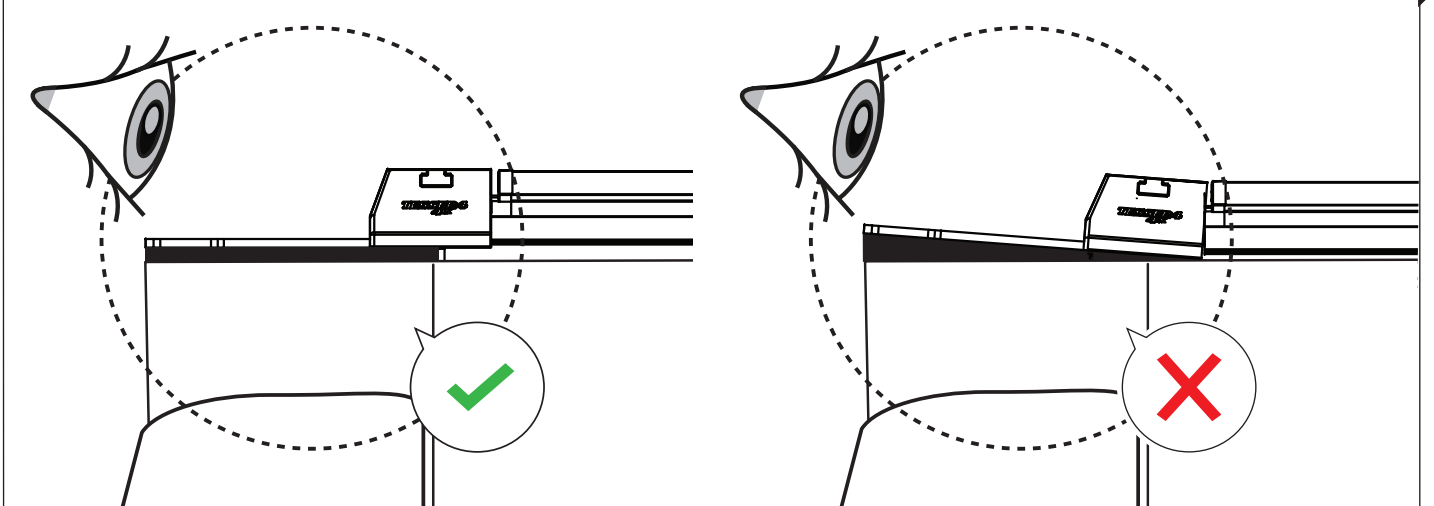
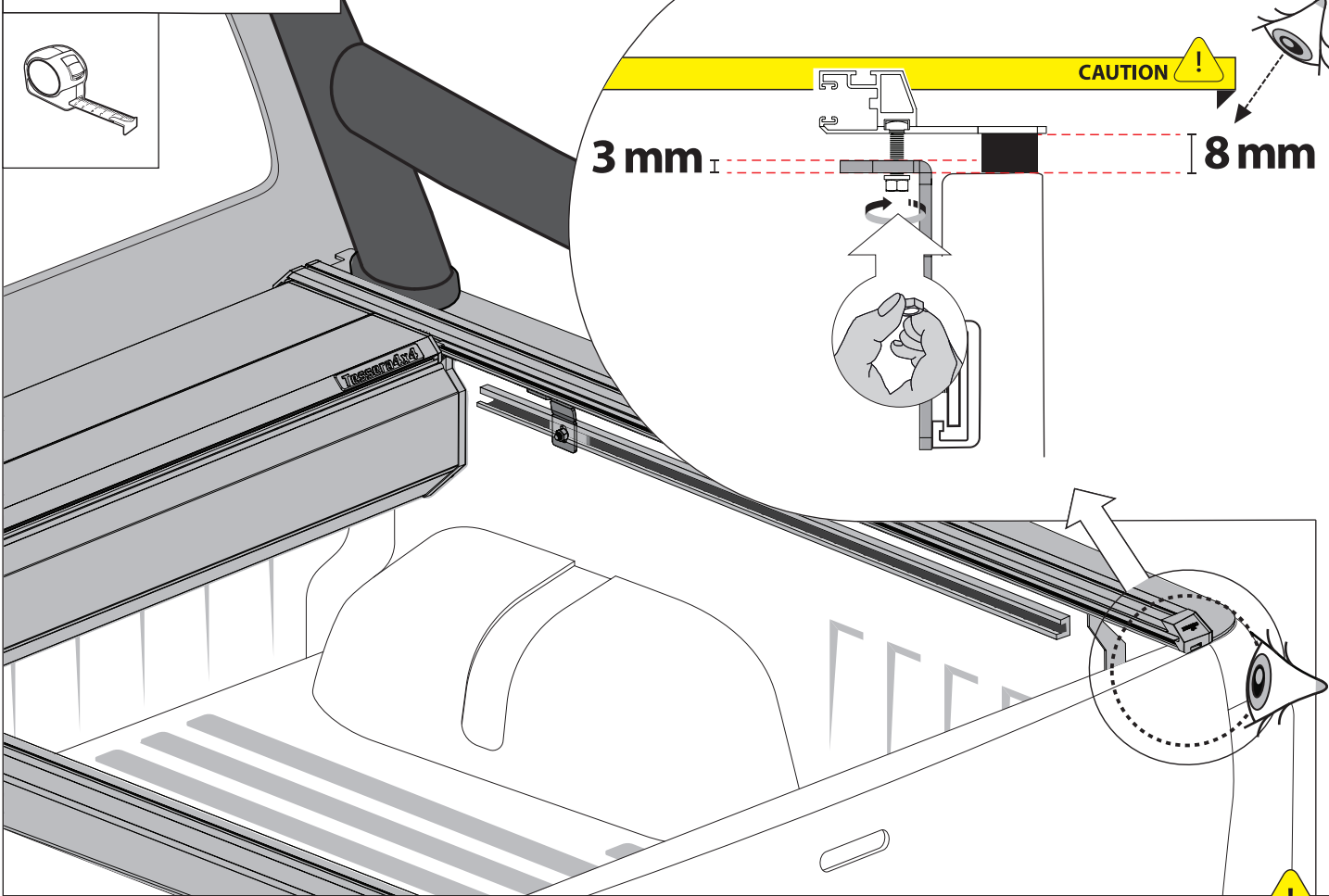
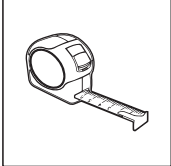
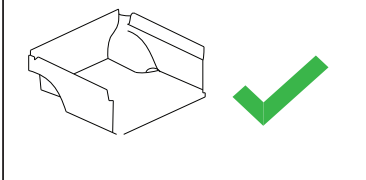
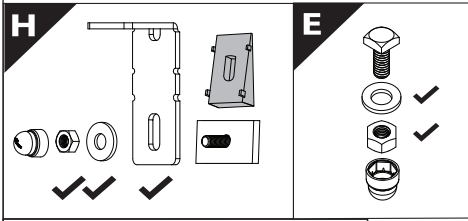
4x4

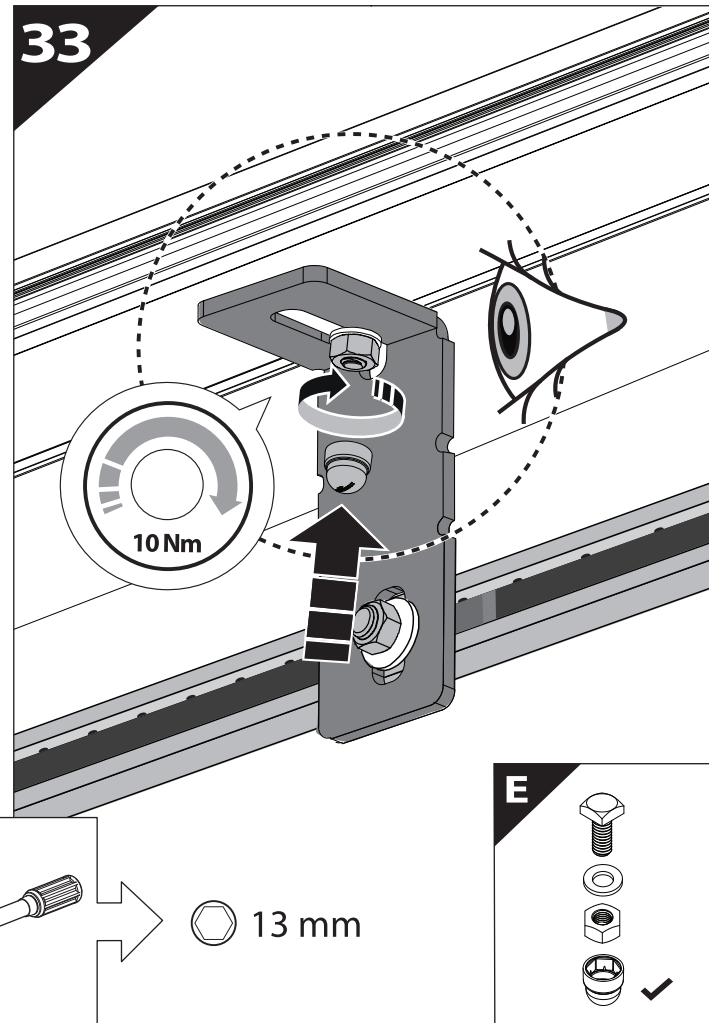
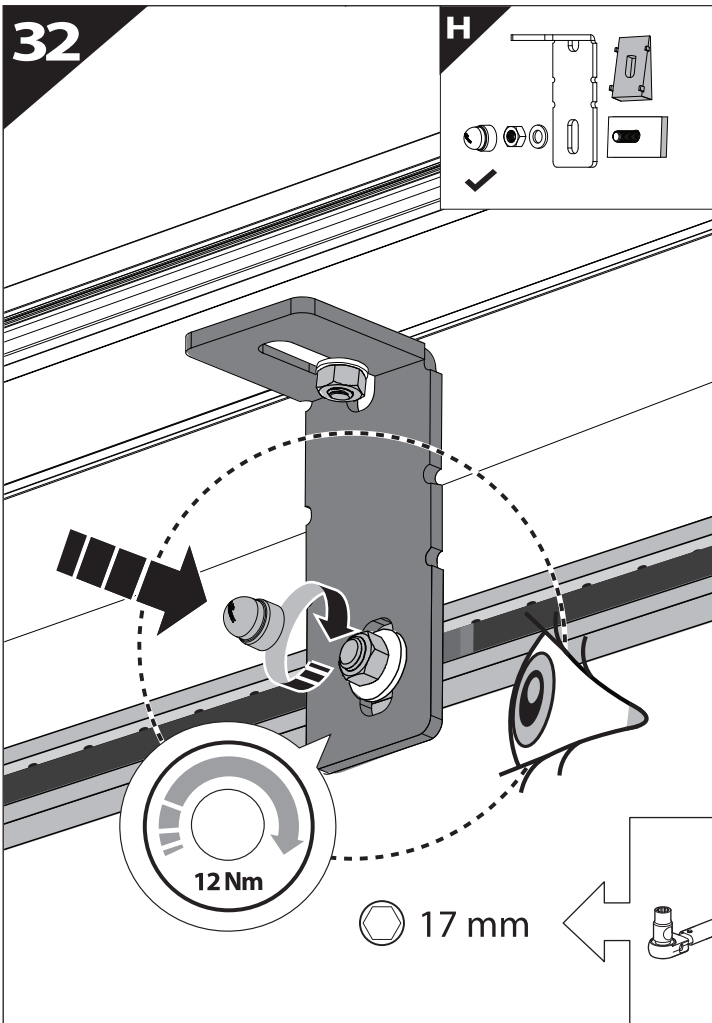


H

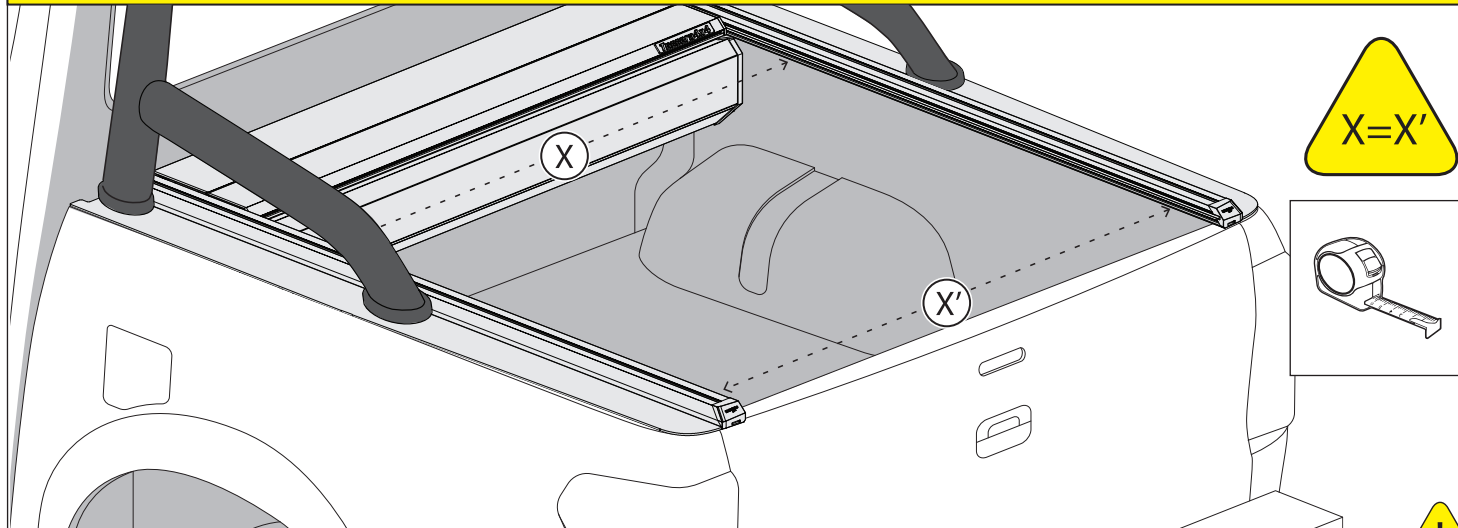


31

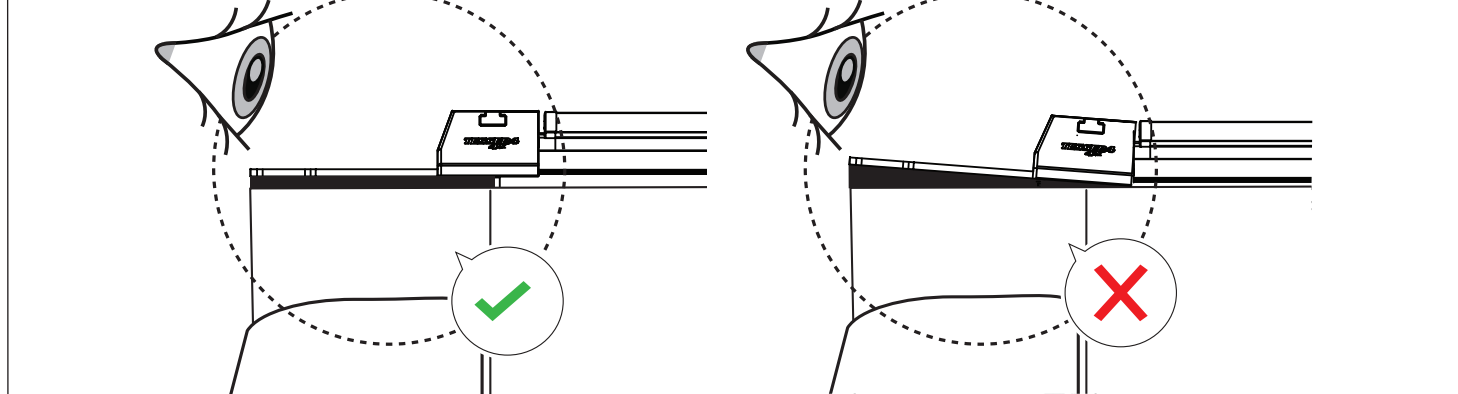


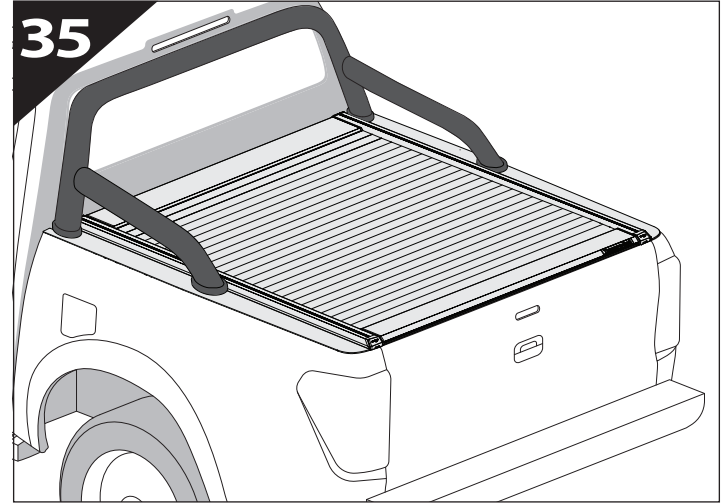
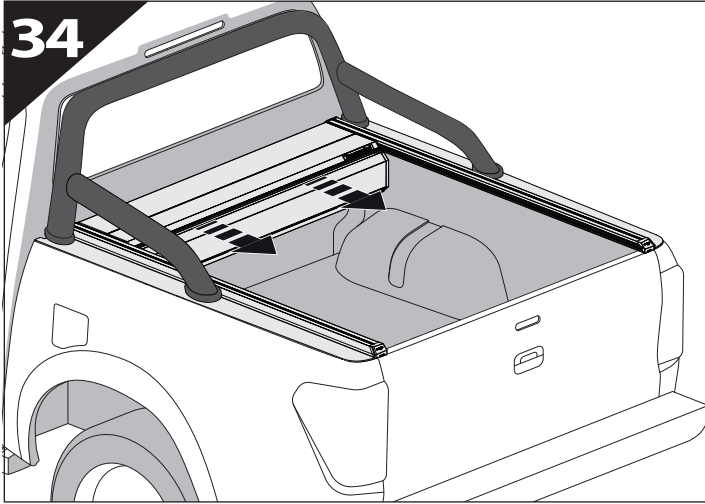


CAUTION !



CAUTION !





GR: Οδηγίες Εγκατάστασης
GB: Installation manual
SF: Asennusohje
F: Notice de montage
PL: Instrukcja montażu
NL: Installatie-instructies
TR: Montaj Talimatı
S: Monteringsanvisning
E: Instrucciones de montaje

H: Szerelési utasítás
P: Instruções de instalação
RUS: Инструкция по установке
N: Monteringsveiledning
D: Einbauanleitung
CZ: Návod k instalaci
I: Istruzioni de montaggio
DK: Monteringsvejledning
RO: Instructiuni de instalare

Customer Service:

+30 (210) 5541161, +30 (210) 5541154 (08:00 - 16:00 EET)

Support department:

info@gianso.gr

Website:

www.tessera4x4.com

Address:

19.5 km of National road Athens-Korinthos (Elefsina) Greece, P.C: 19200