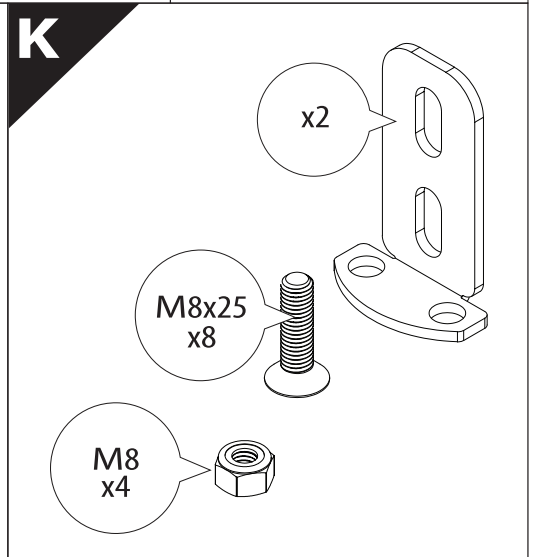
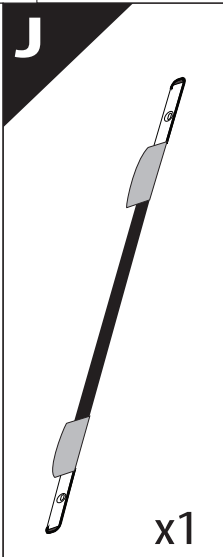
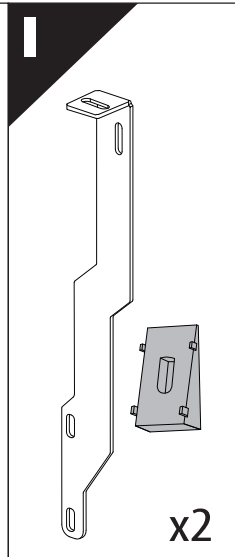
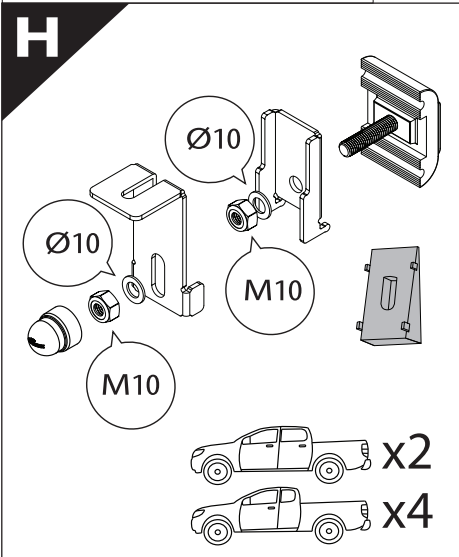
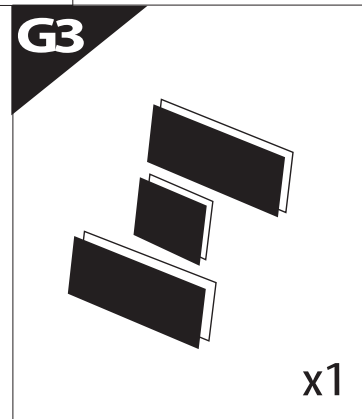
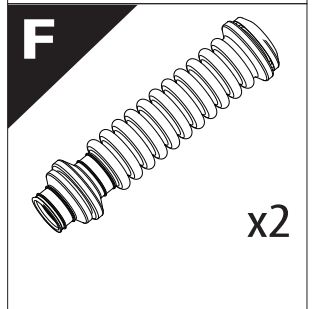
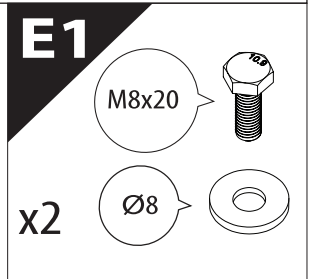
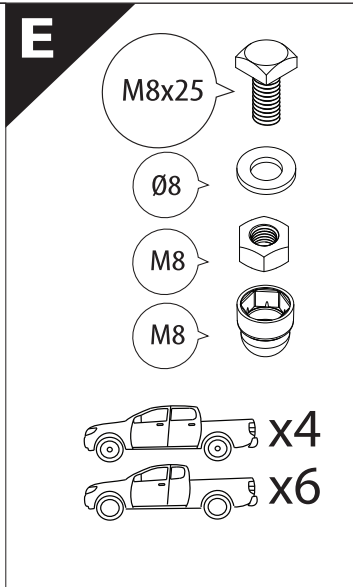
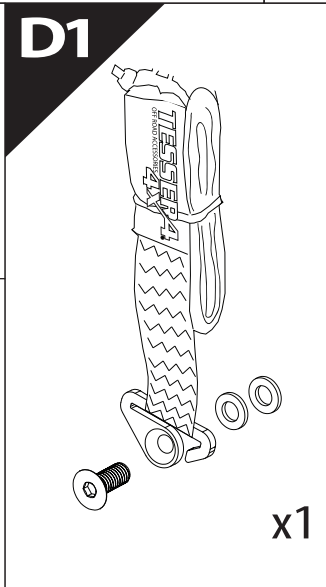
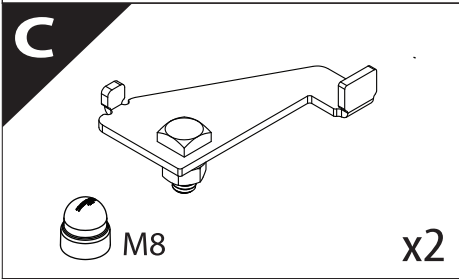
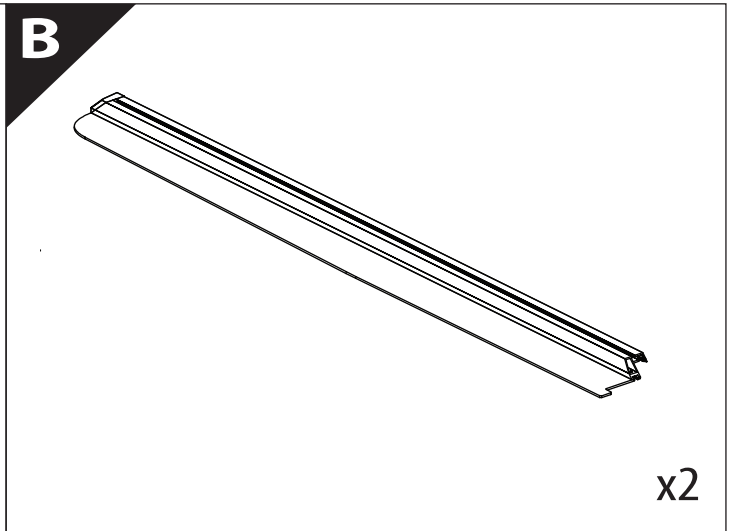
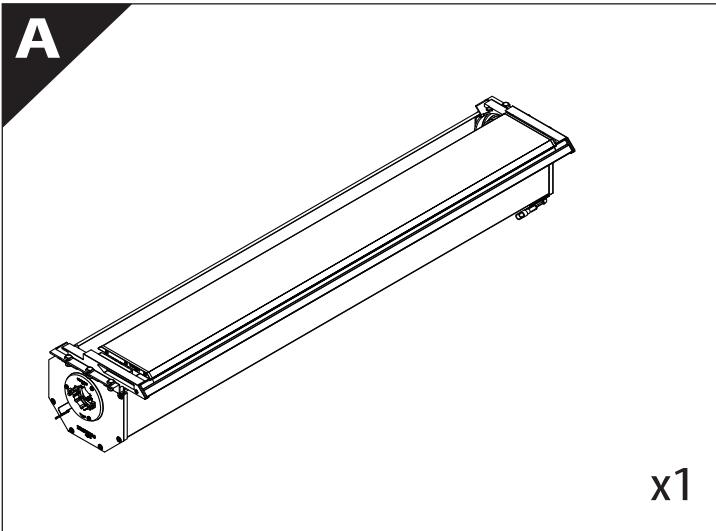
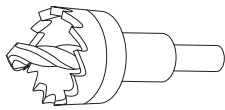


## Installation Manual

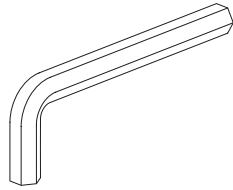
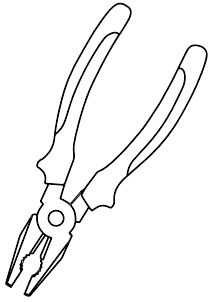
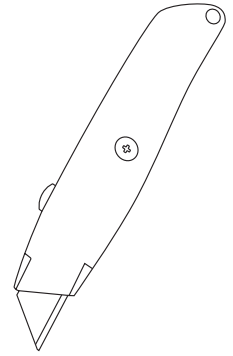
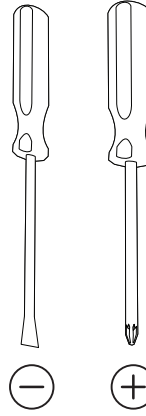
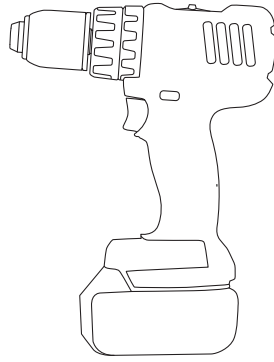
PART NUMBER(S)	Model Year
TESS 15060 SE +ADAPT 008	FORD RANGER 2023+ SPORT WITH OEM ROLLBAR (no c-channels)
TESS 15070 SE +ADAPT 008	
Cab(s)	Installation Time / Weight
Double Cab & Space cab	40-60 minutes / 53-57 kg





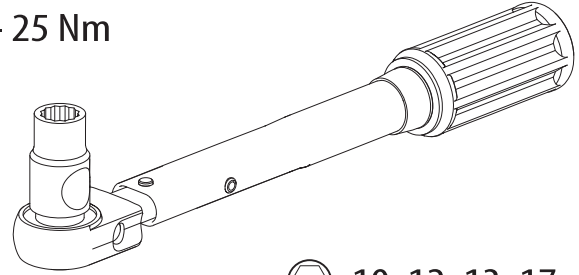


Ø 25 mm



4 mm

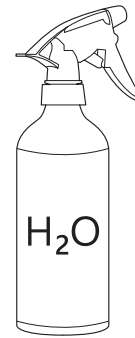
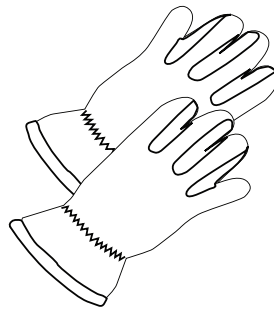
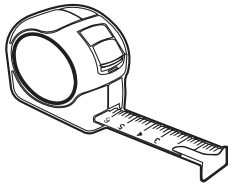
1 - 25 Nm



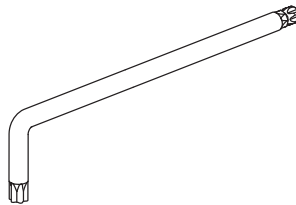
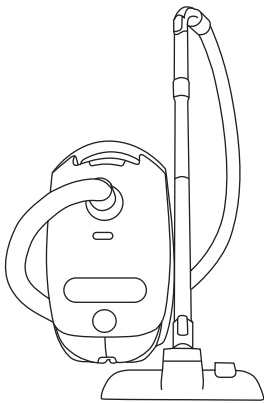
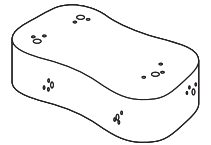
10, 12, 13, 17 mm



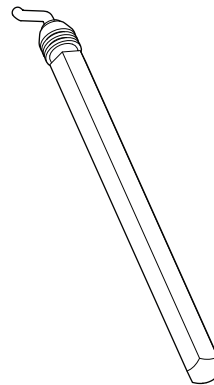
ACETONE



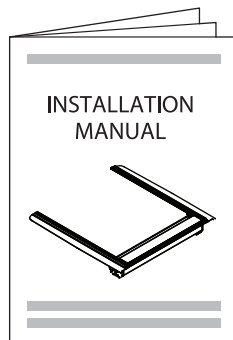
H<sub>2</sub>O



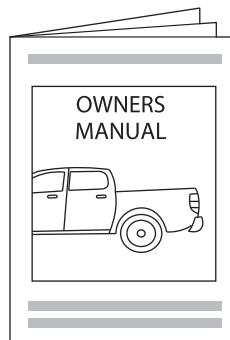
T30, T40



ANTI-RUST

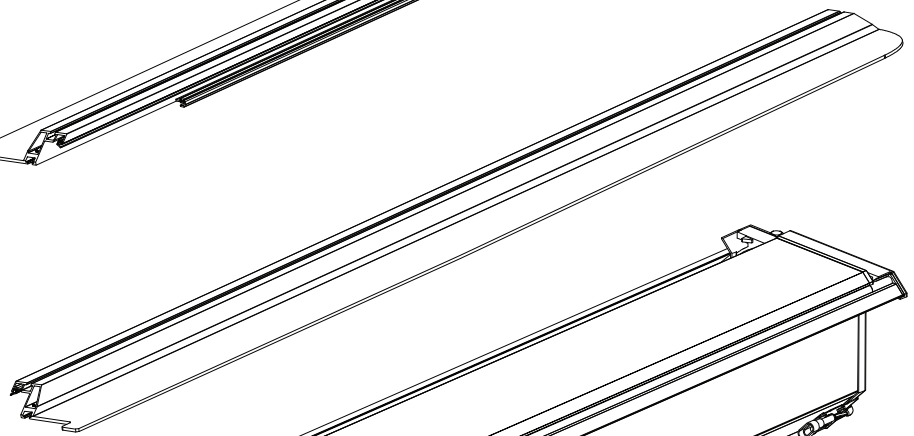
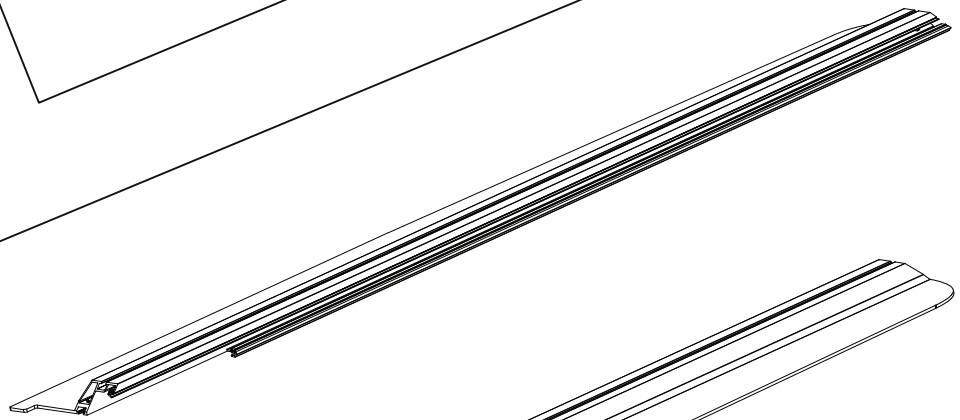
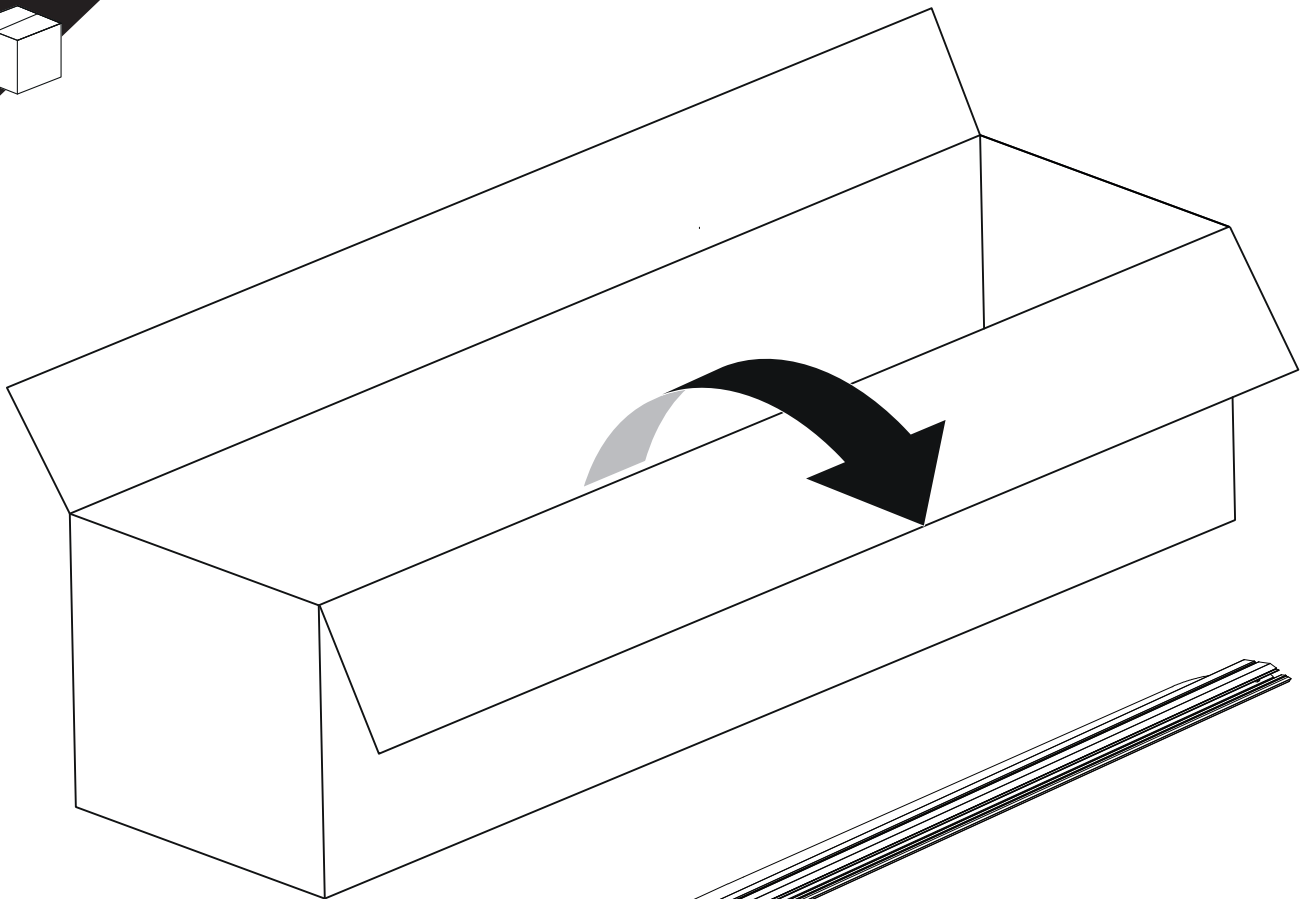


INSTALLATION  
MANUAL

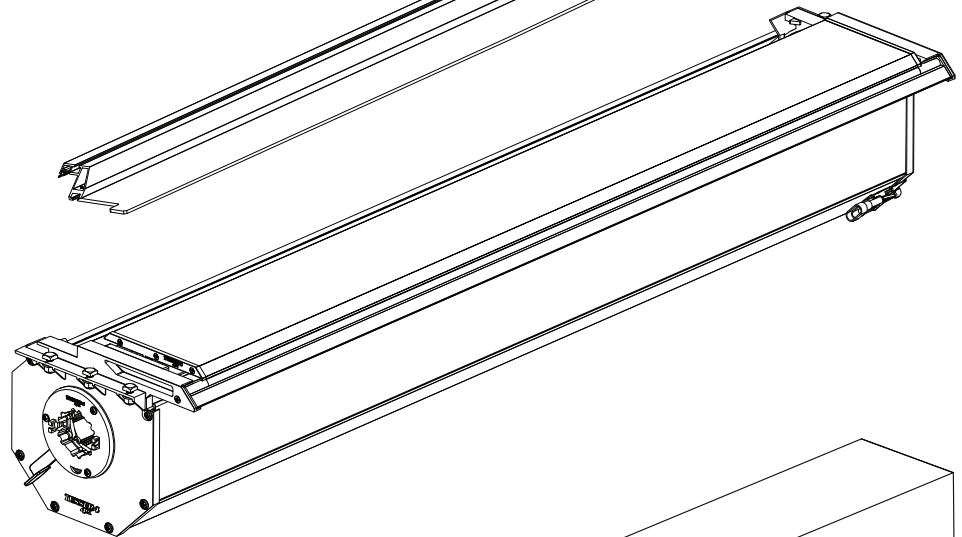


OWNERS  
MANUAL

x1

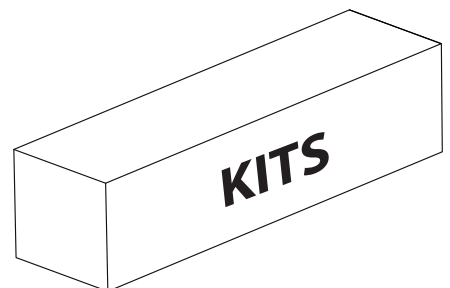


**B**

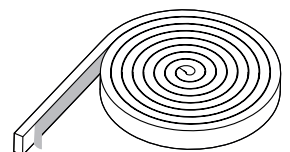


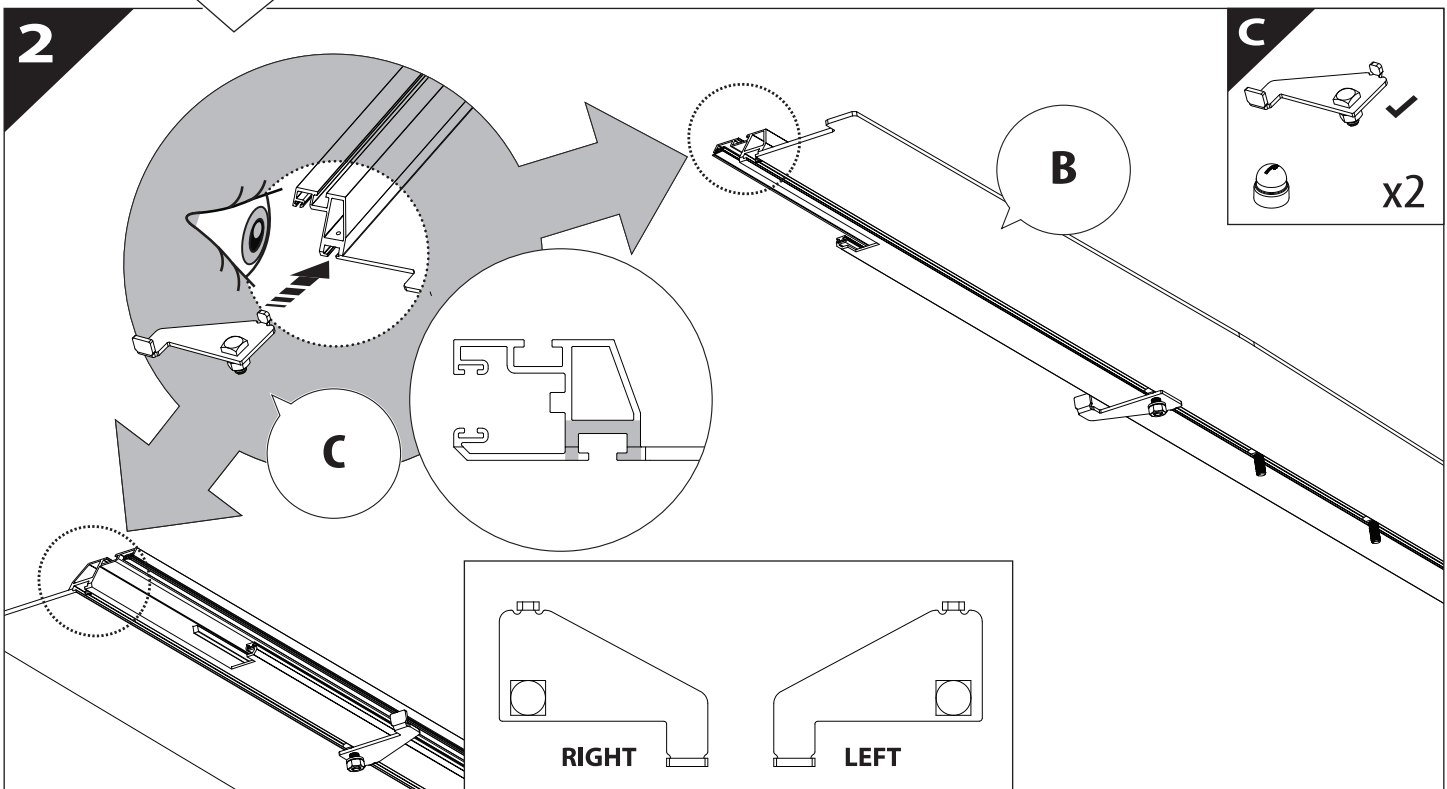
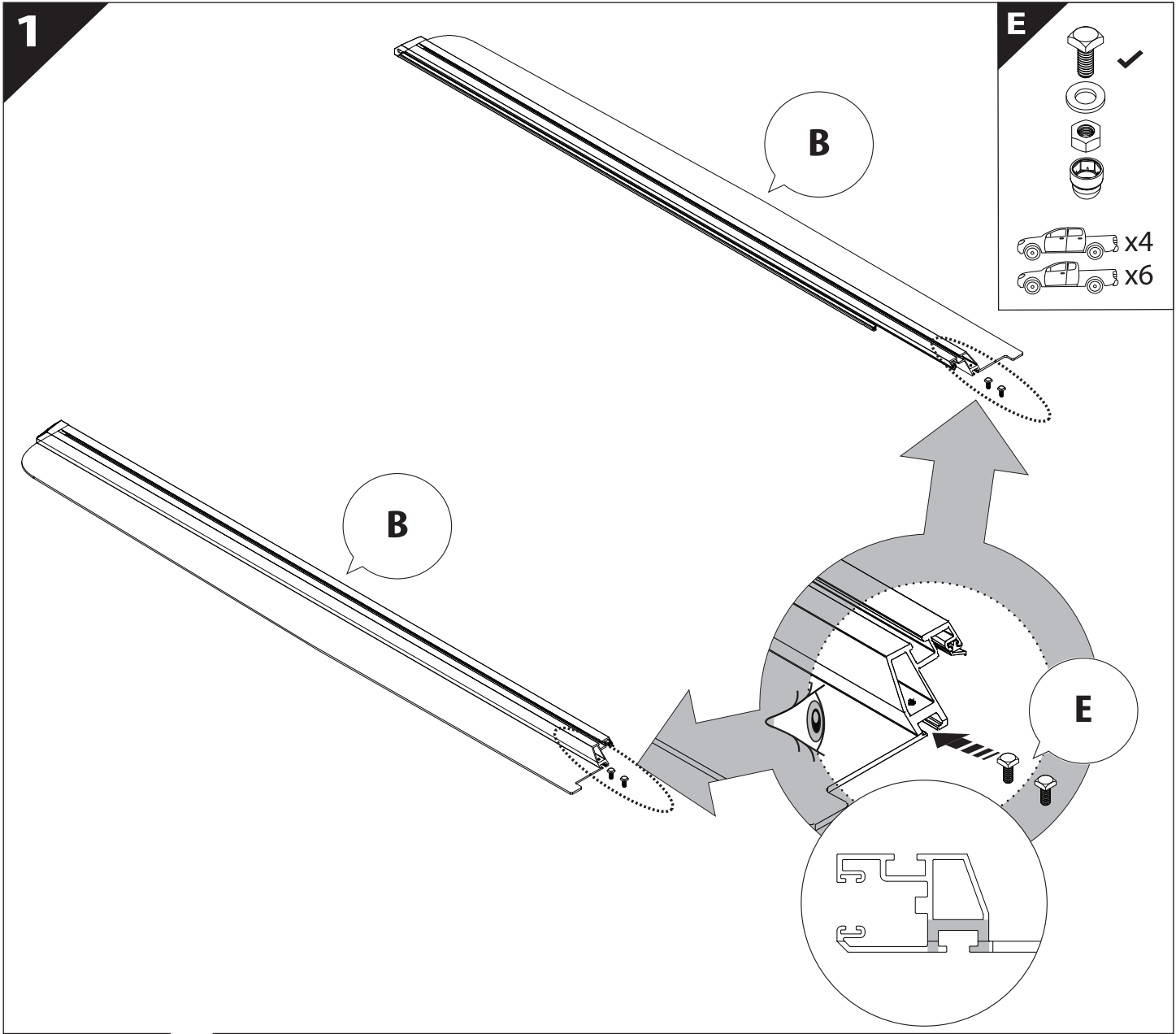
**A**

**KITS**

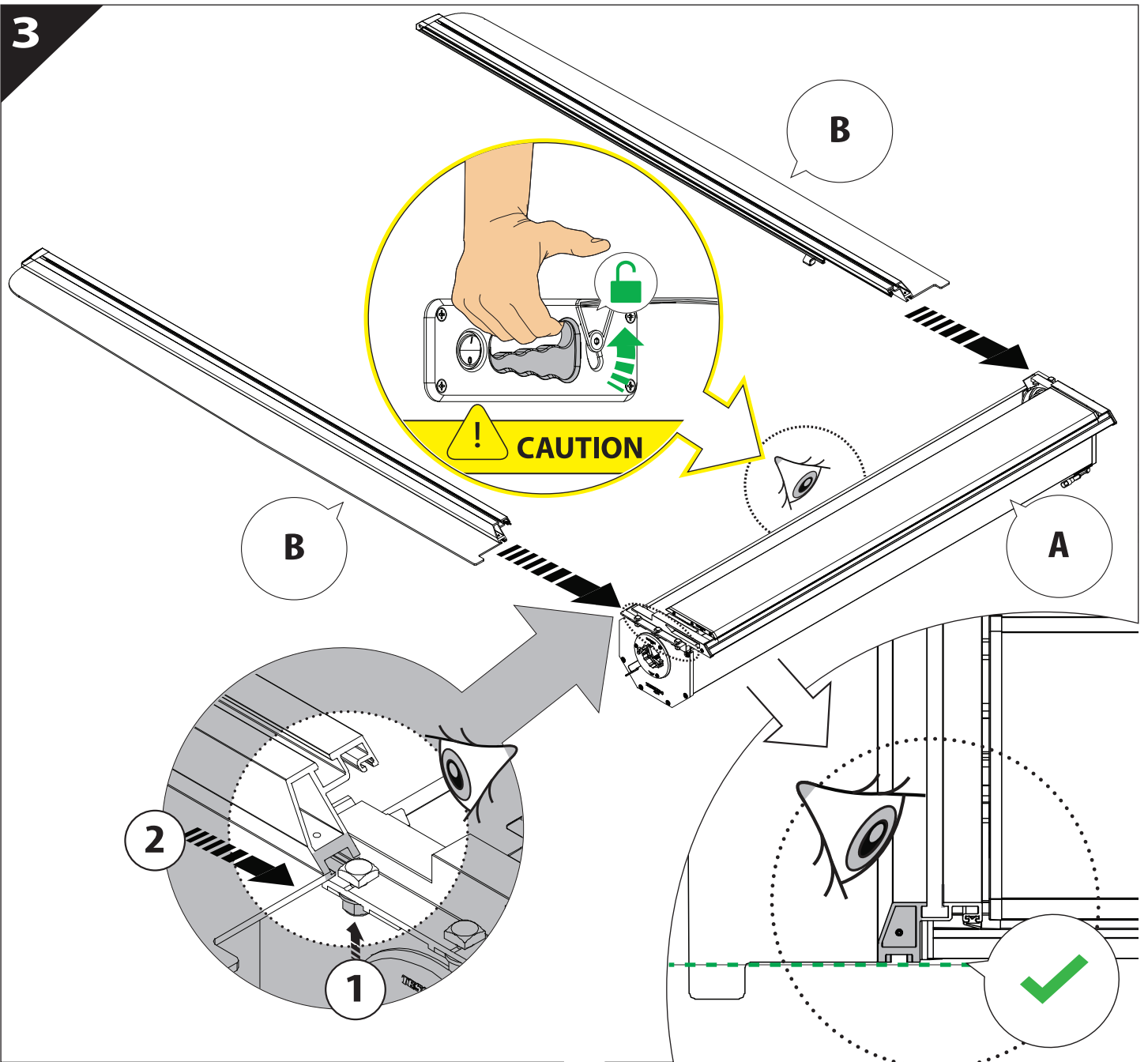


**G**

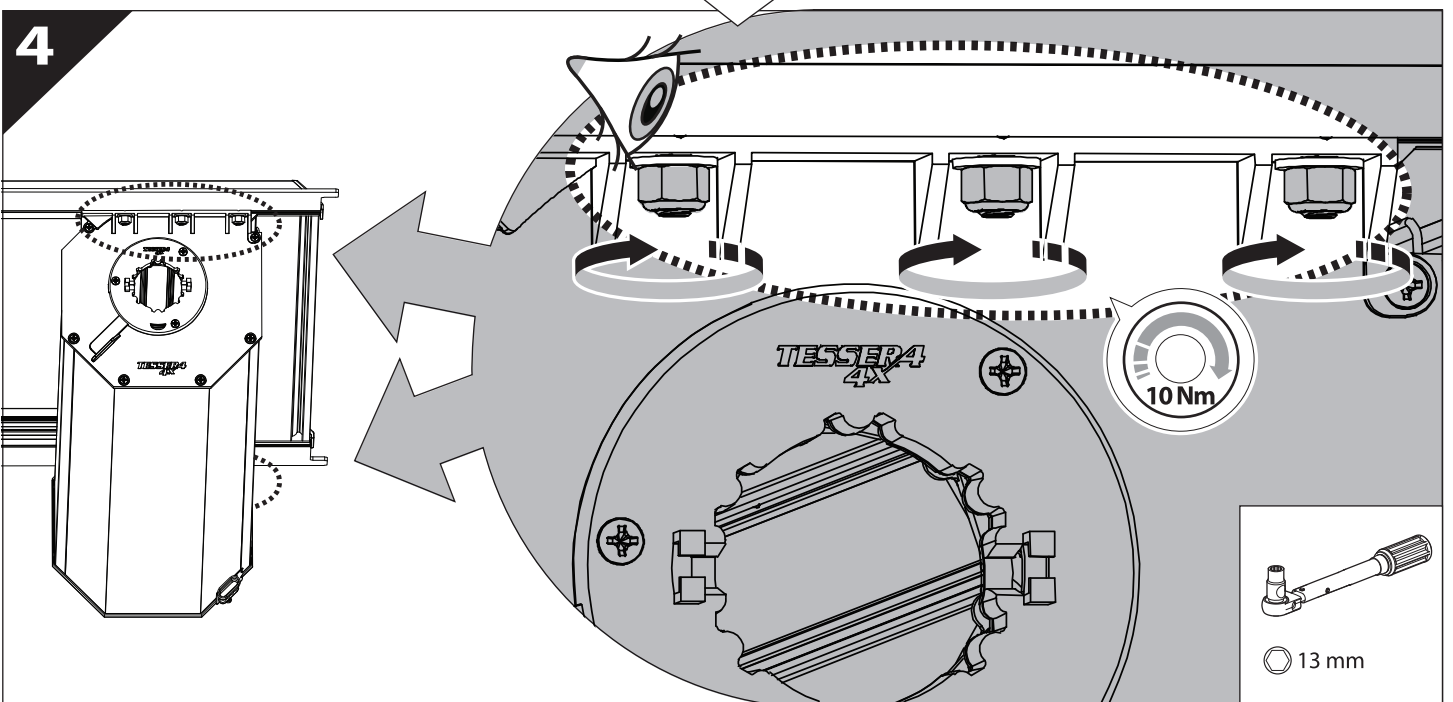


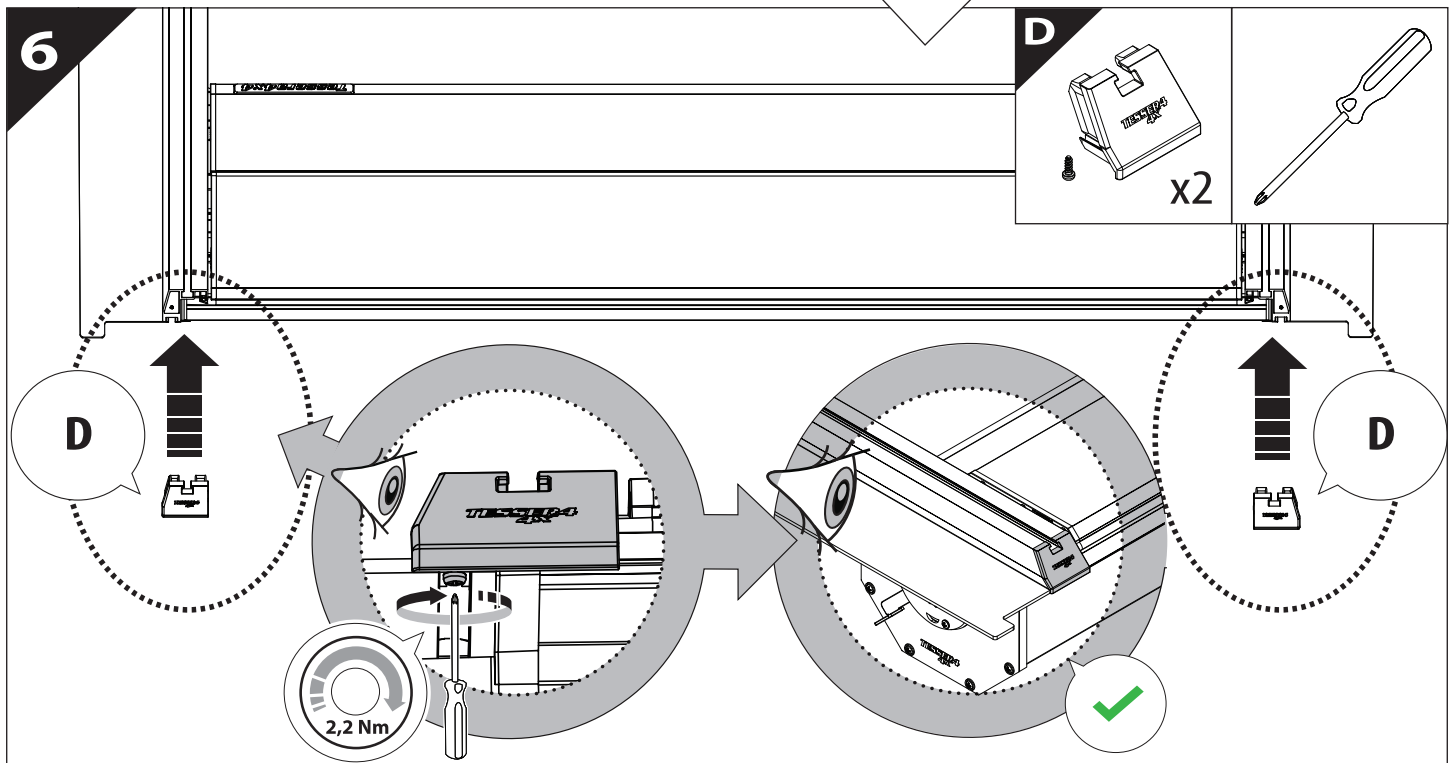
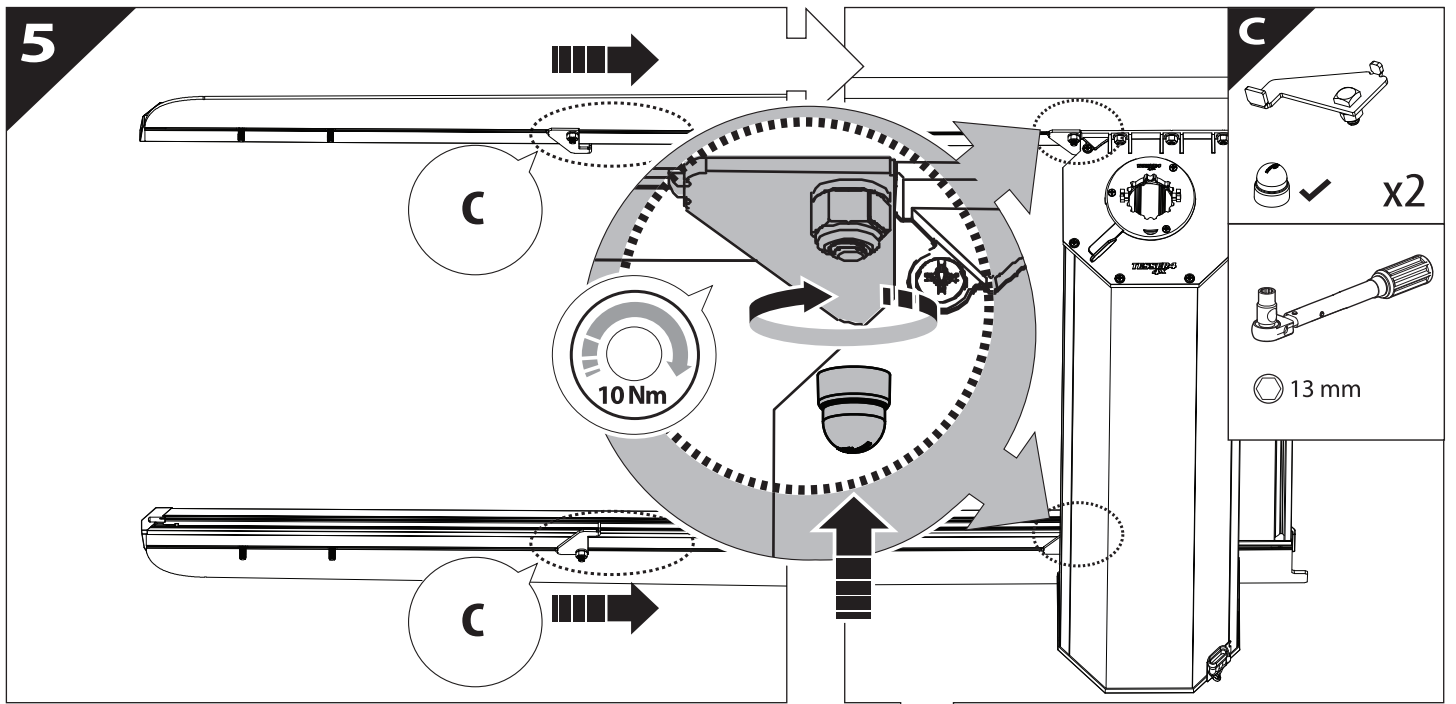


3

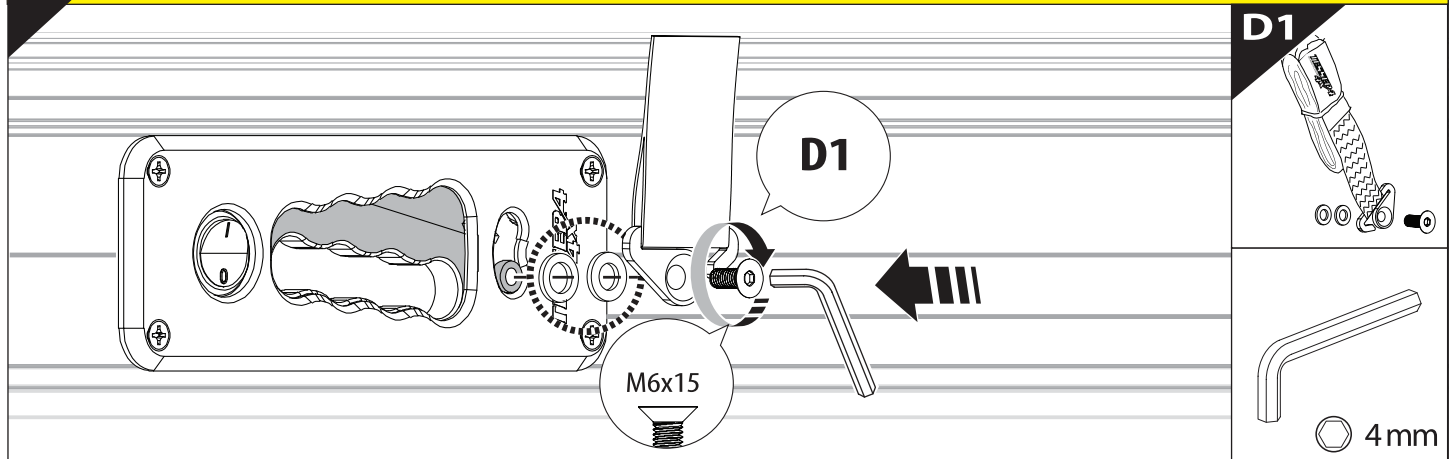


4



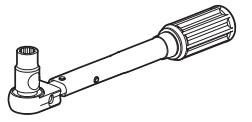


**6.1** **CAUTION** Basic Version ✓ & Basic+S-KIT Version ✓



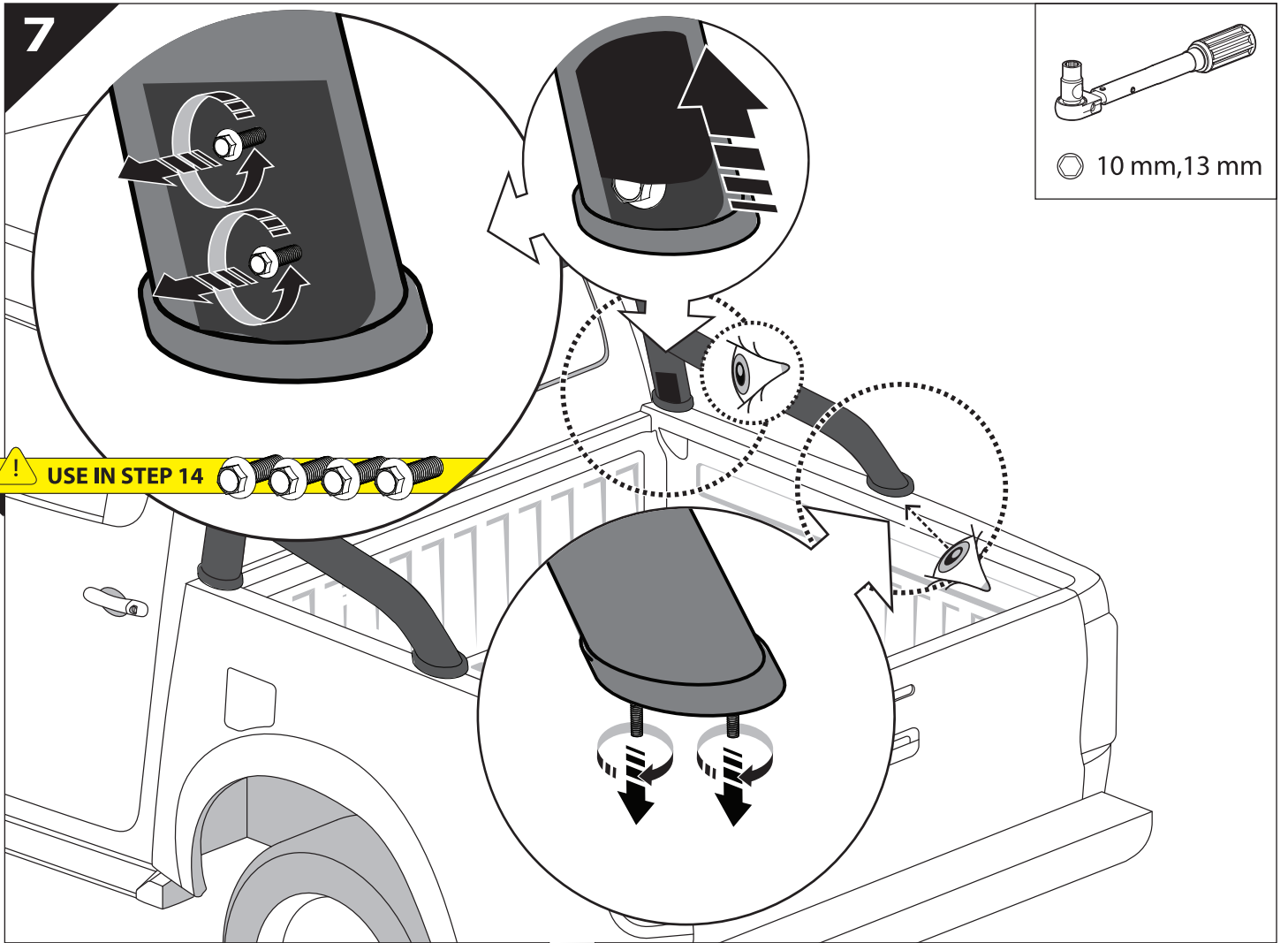


7



10 mm, 13 mm

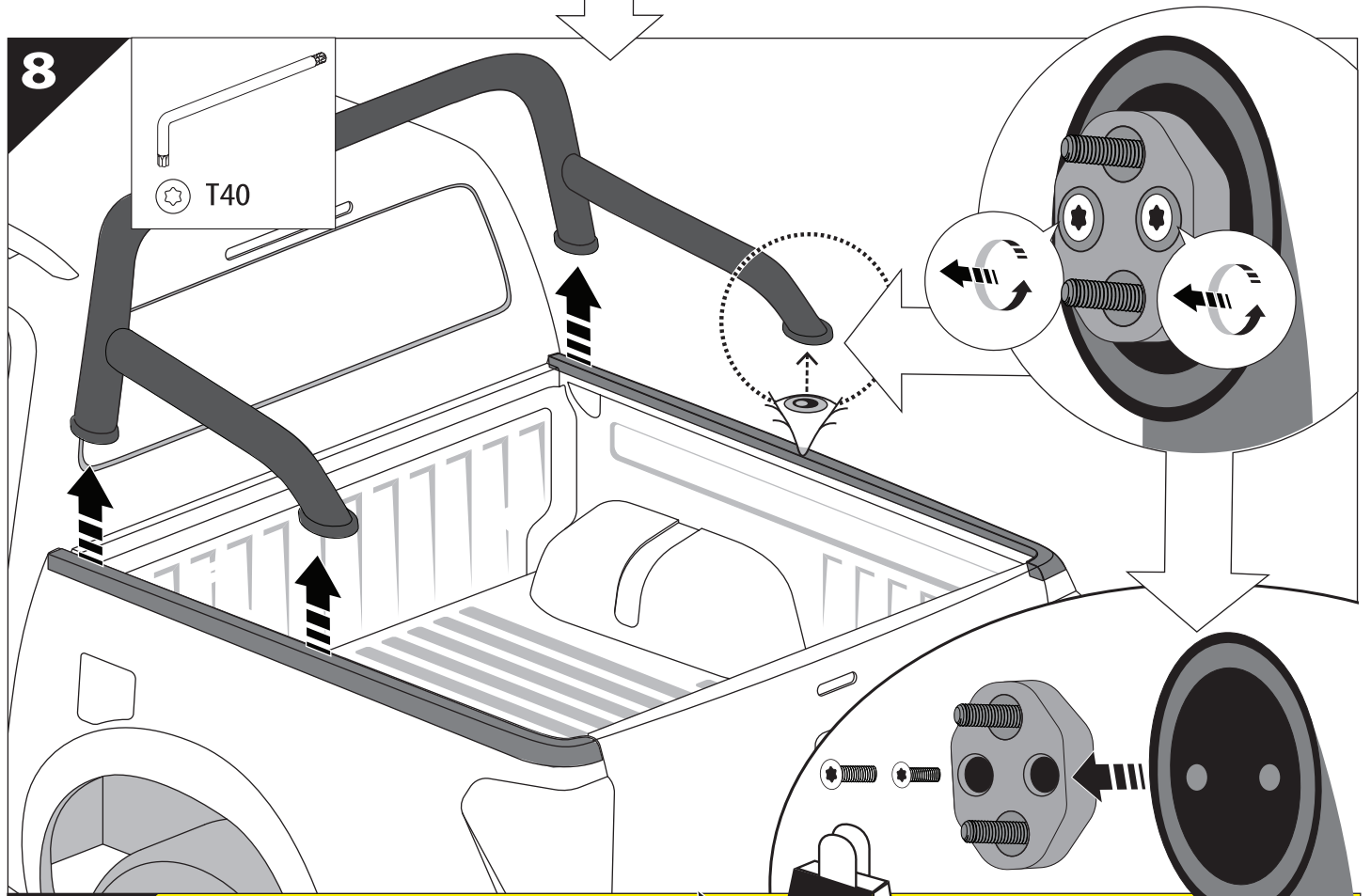
! USE IN STEP 14



8

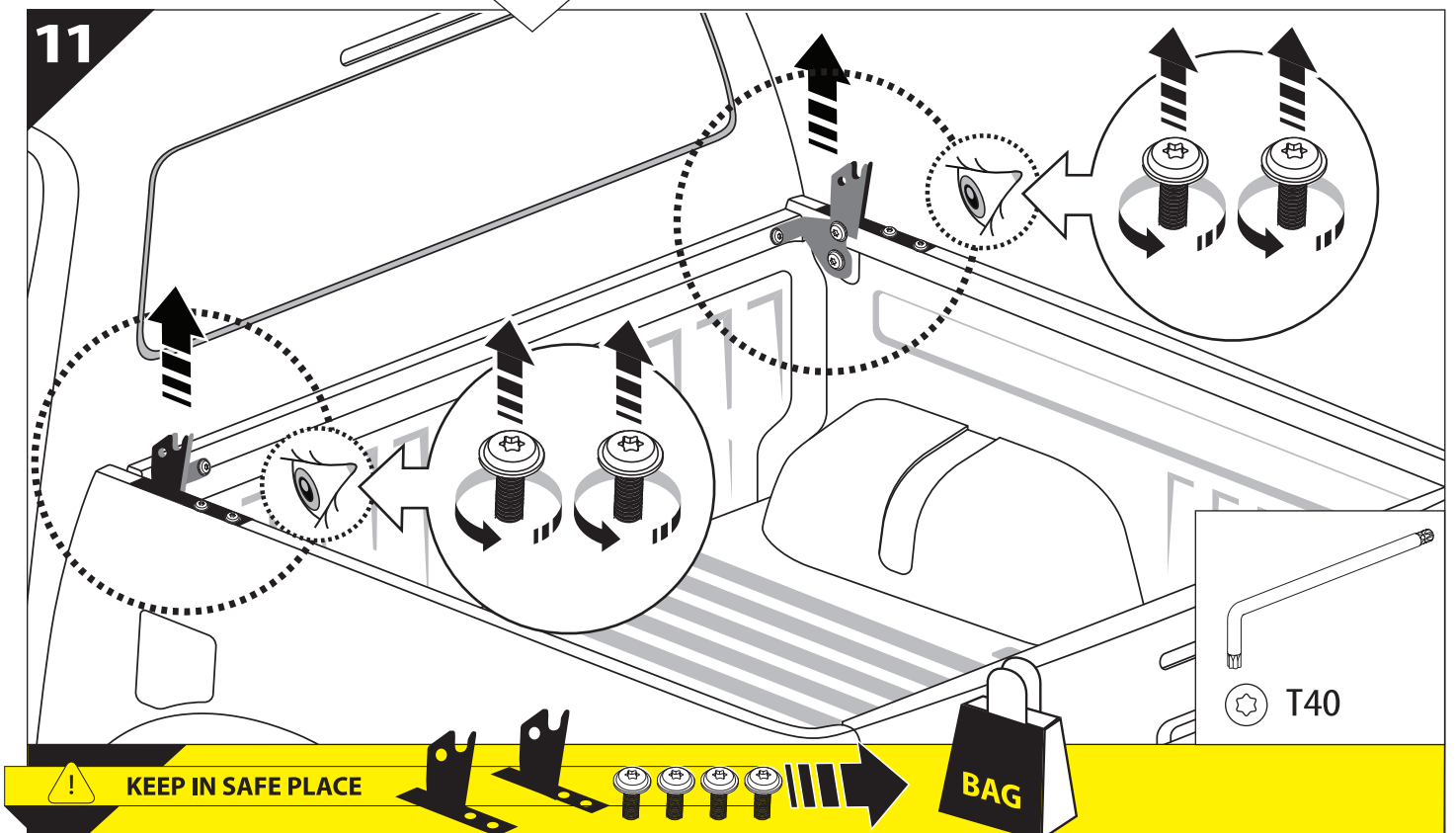
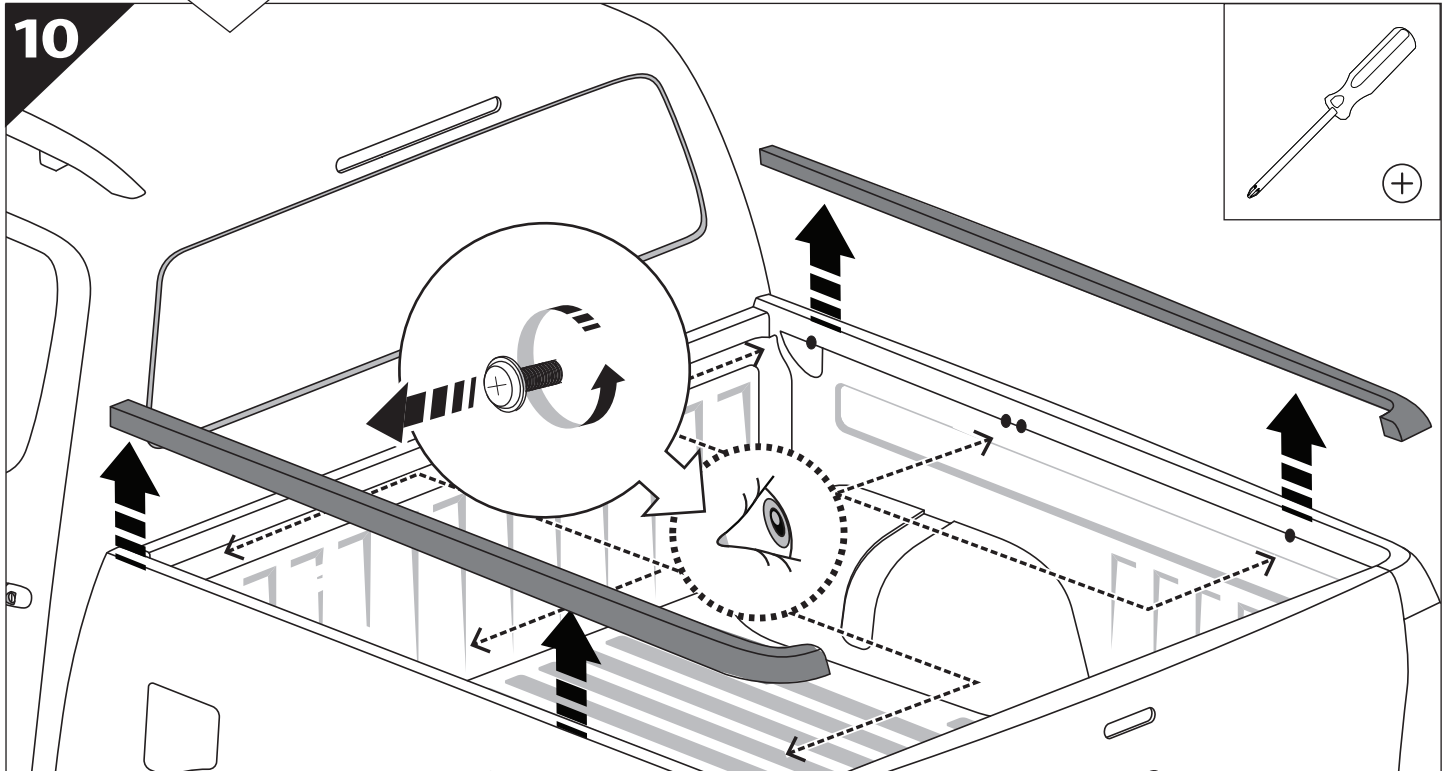
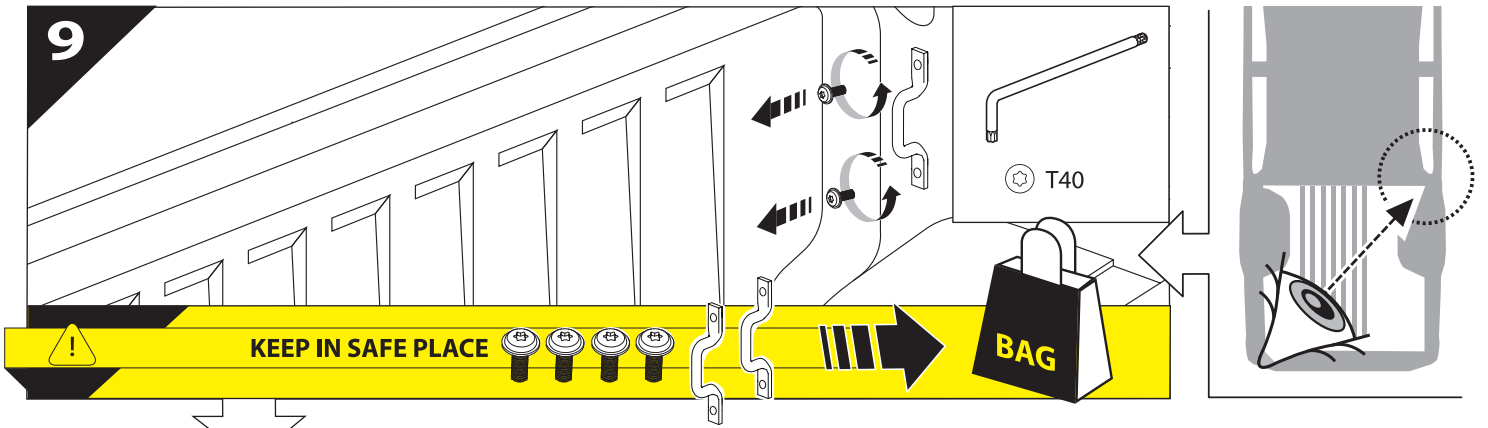


T40

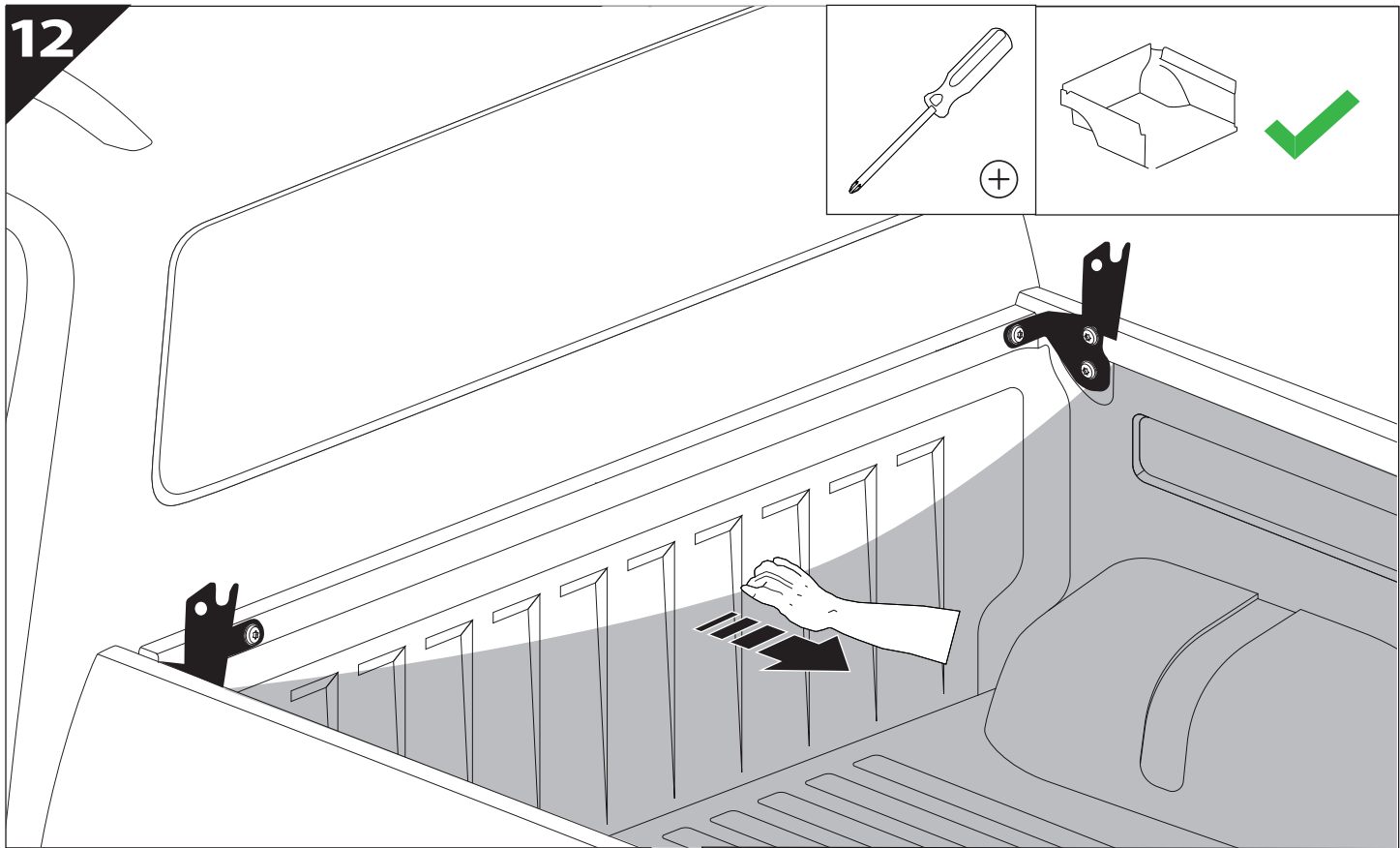


! KEEP IN SAFE PLACE

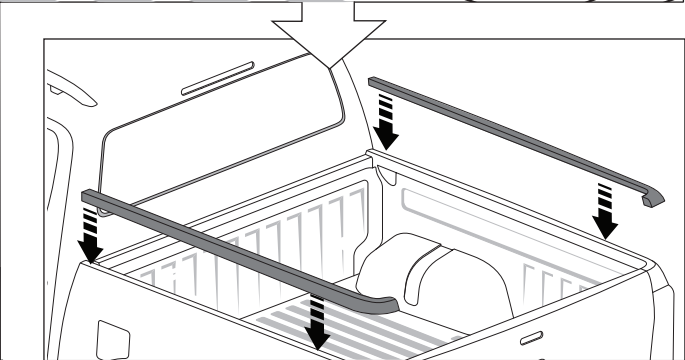
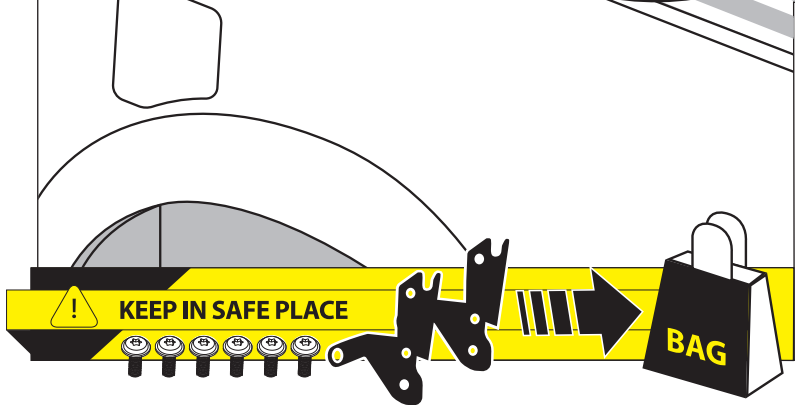
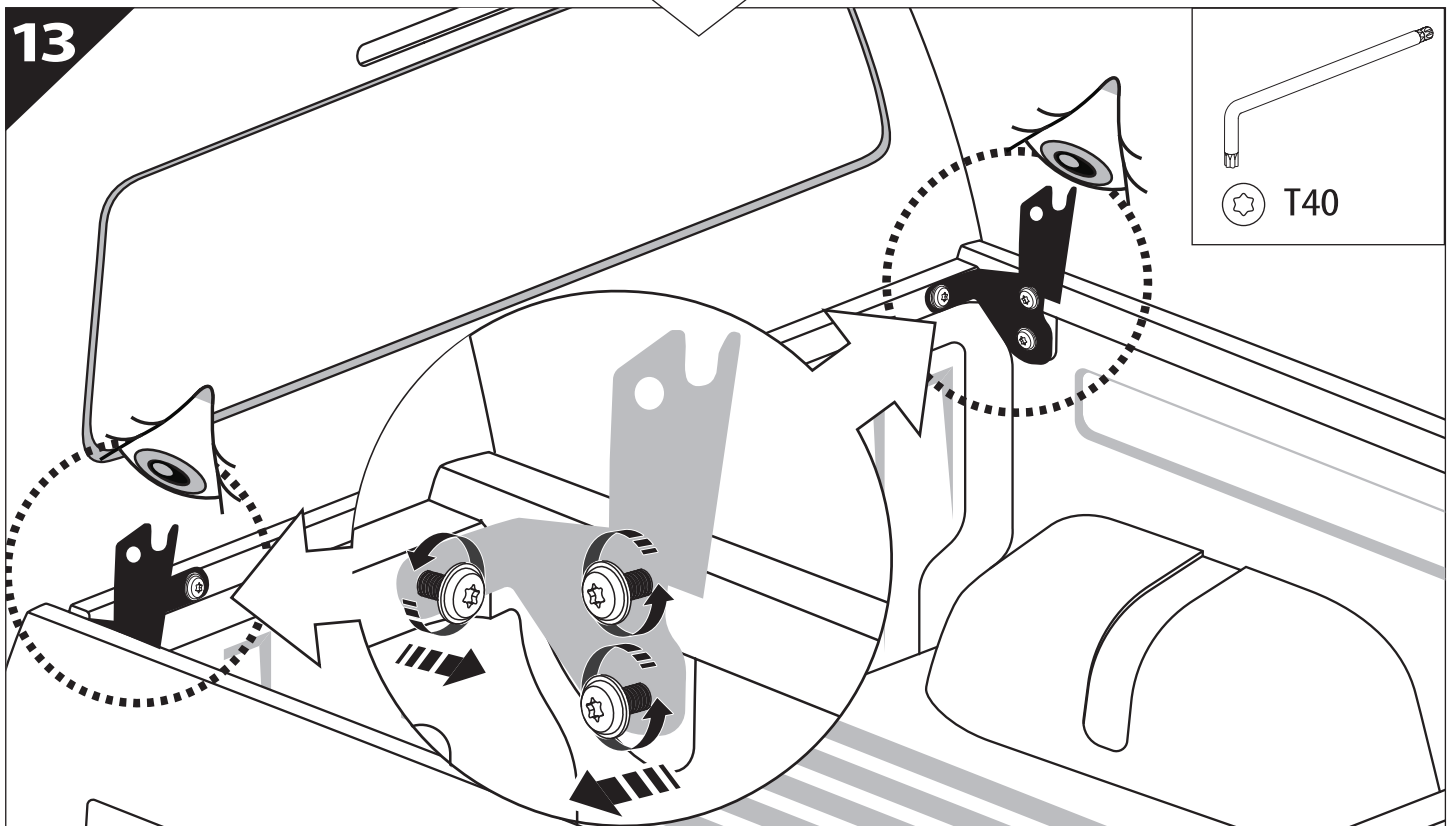




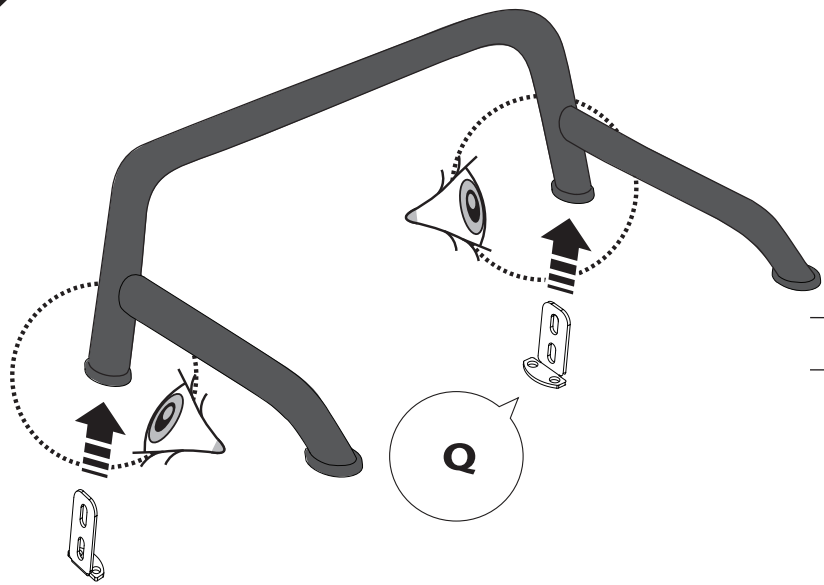
12



13

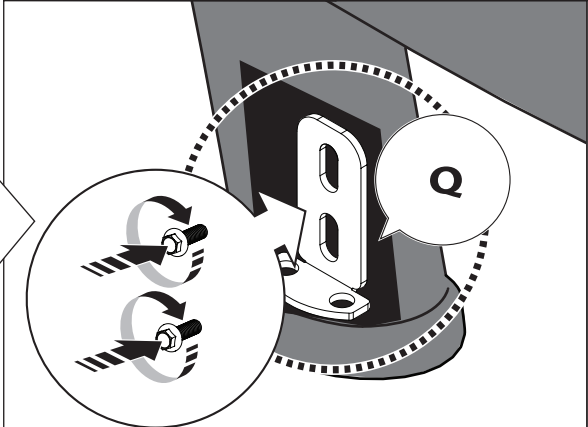


14



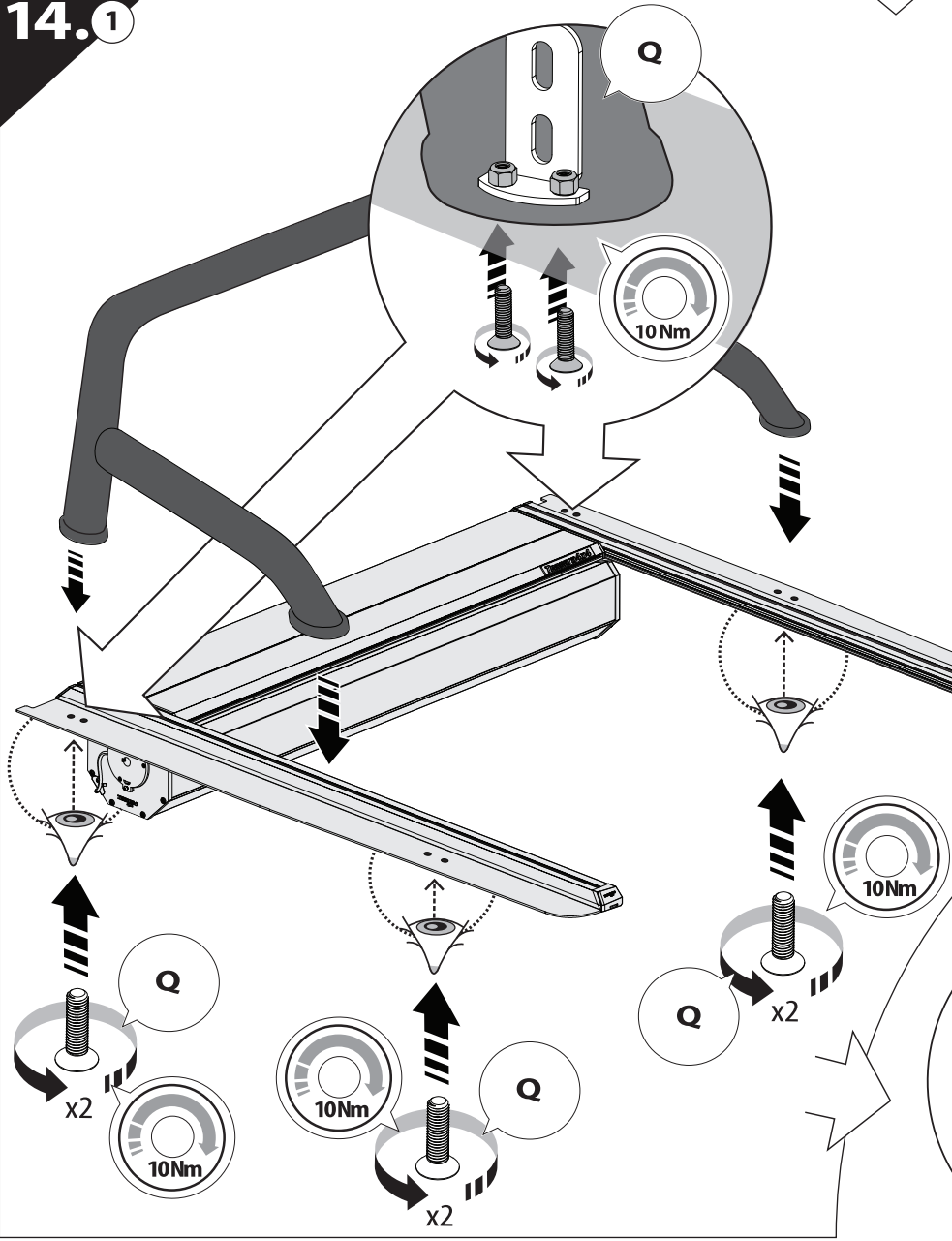
Q

- M8x25 x8
- M8 x4
- x2
- 10 mm



! FROM STEP 7

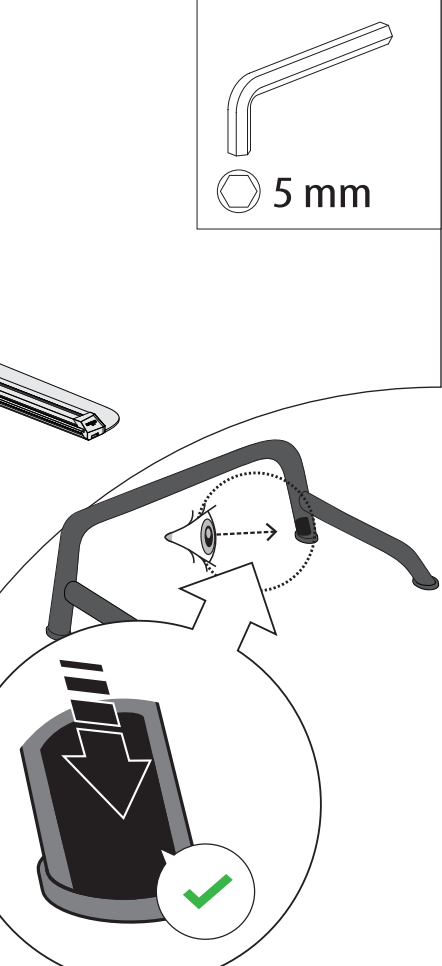
14.1



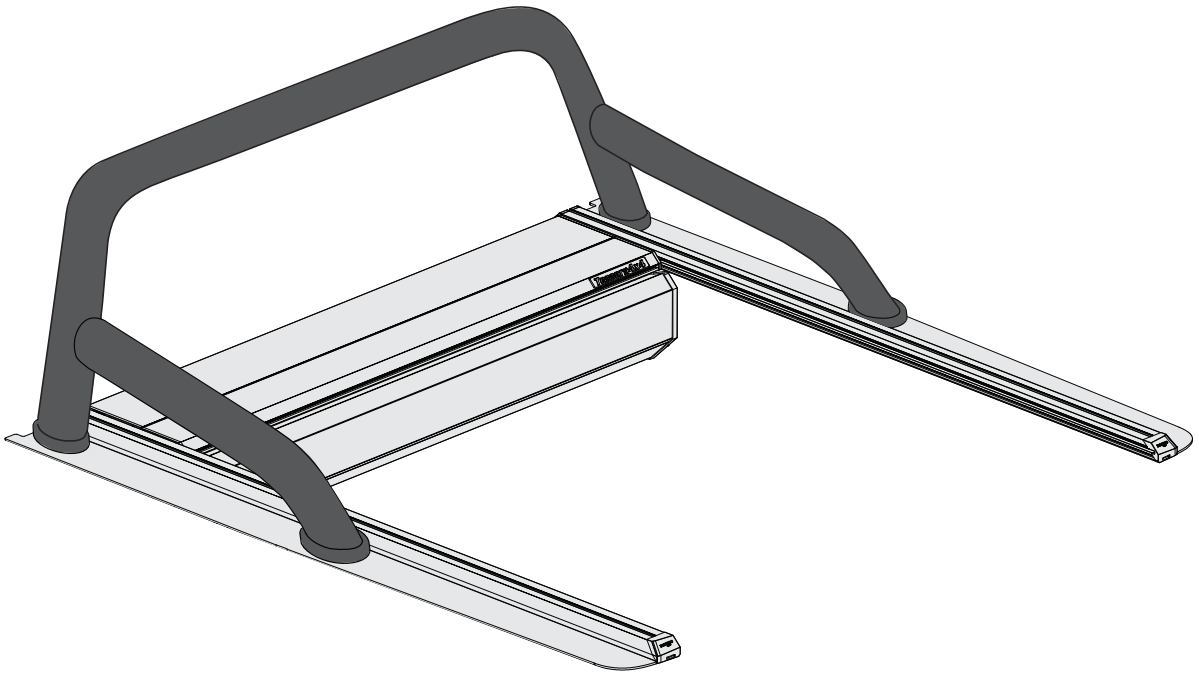
Q

- M8x25 x8
- M8 x4
- x2

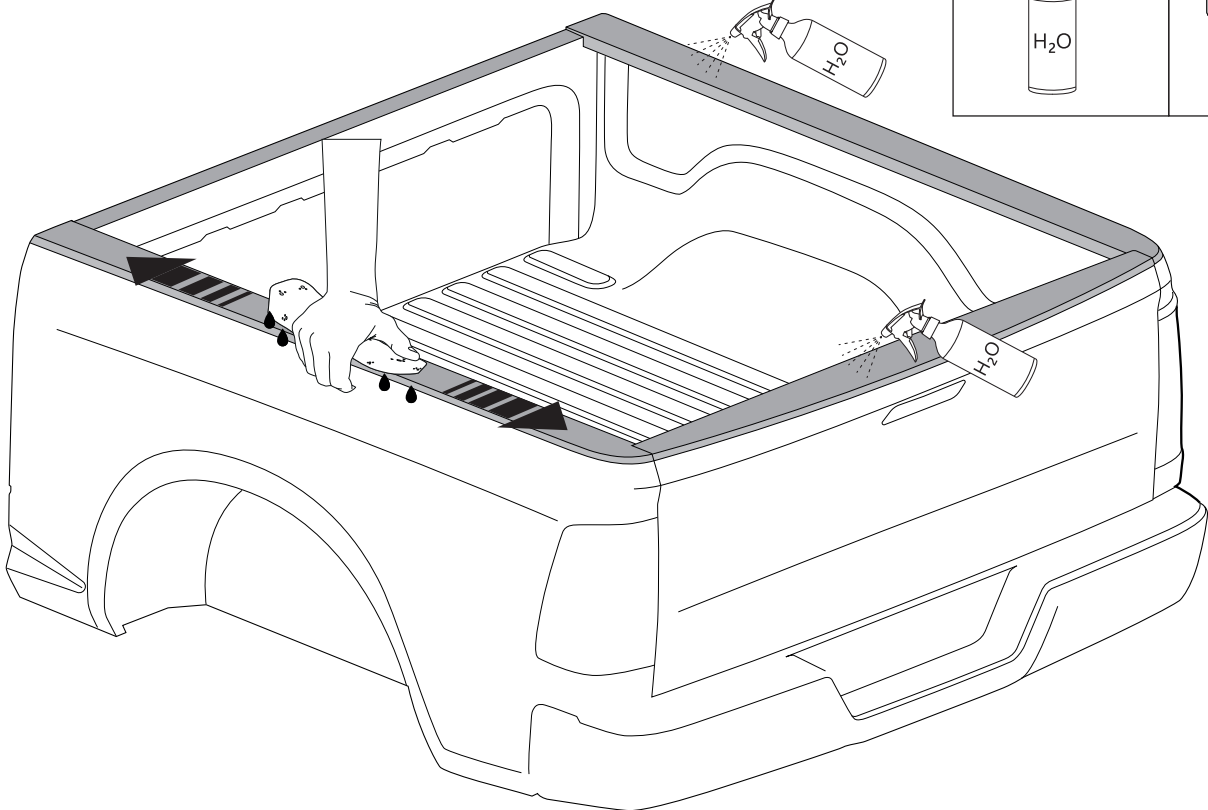
5 mm



15



16



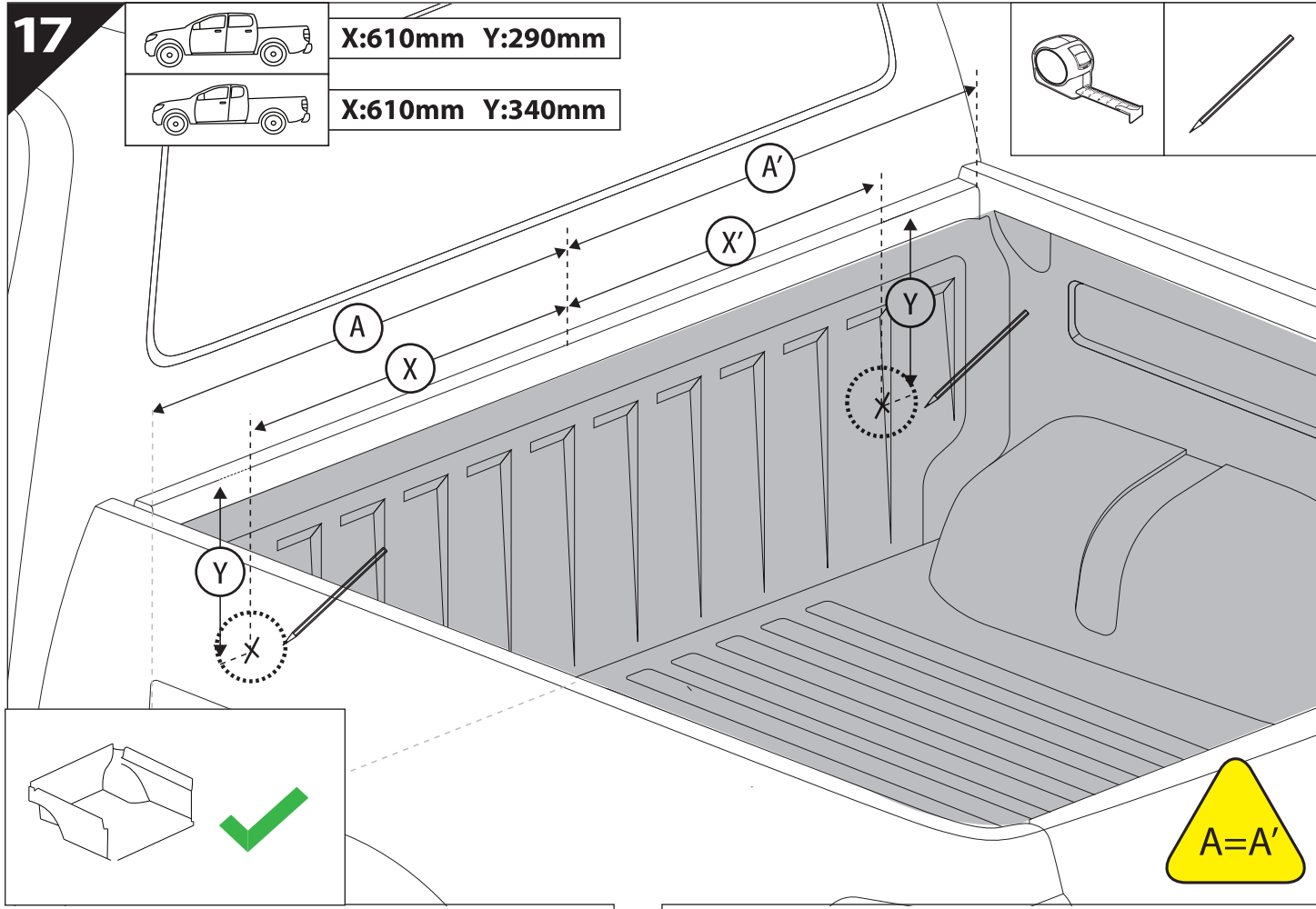
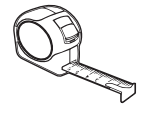
17



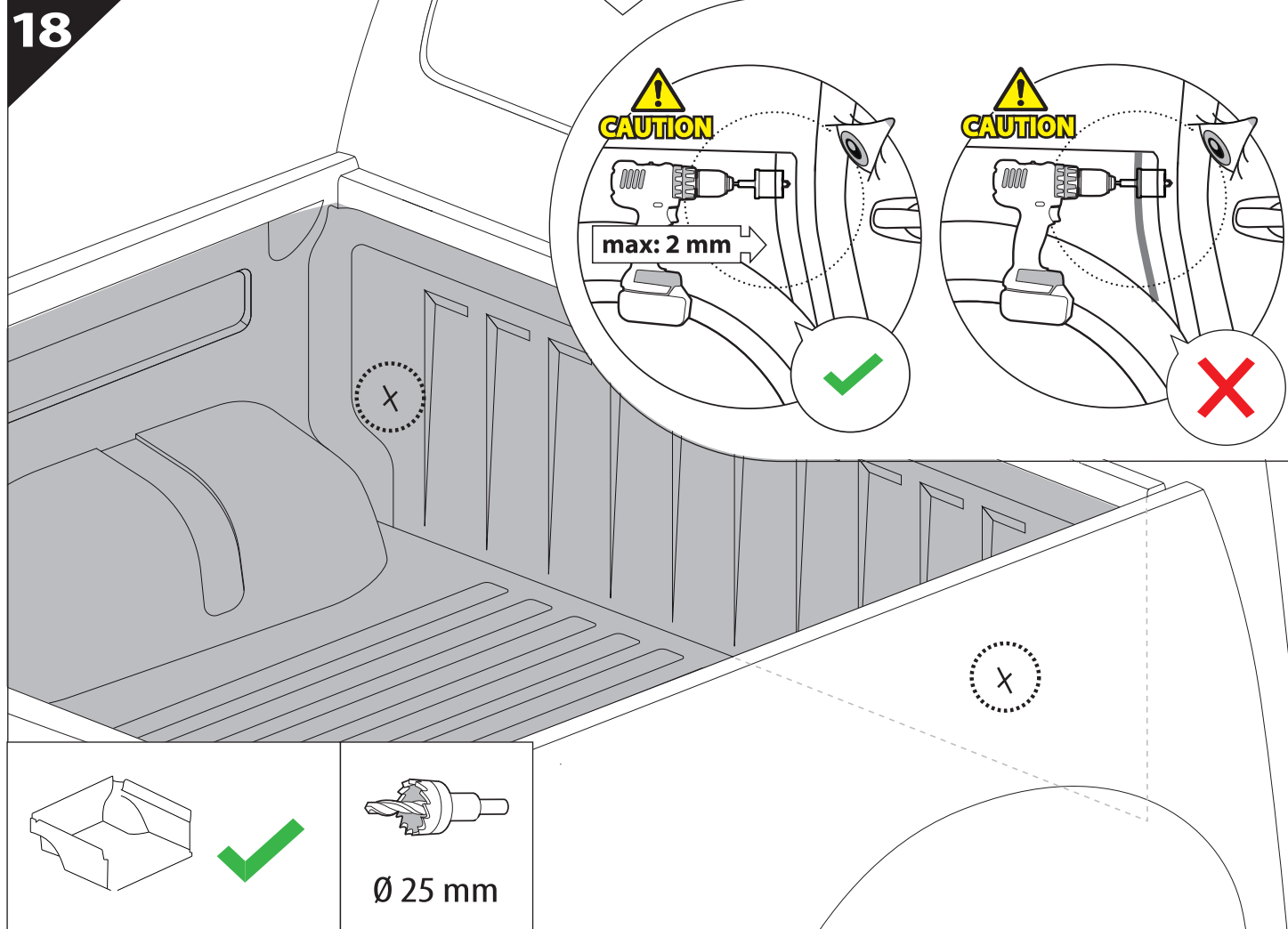
X:610mm Y:290mm

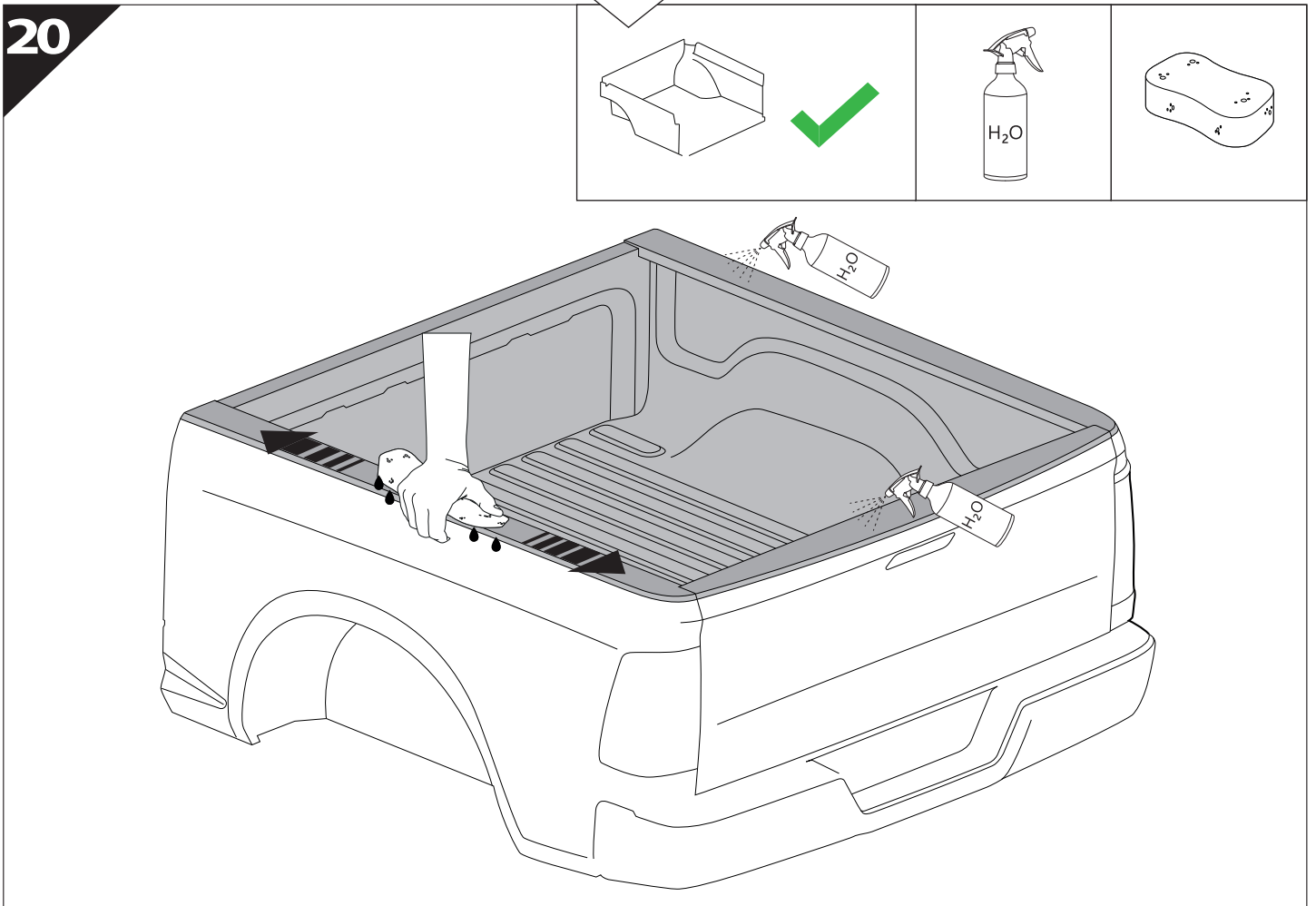
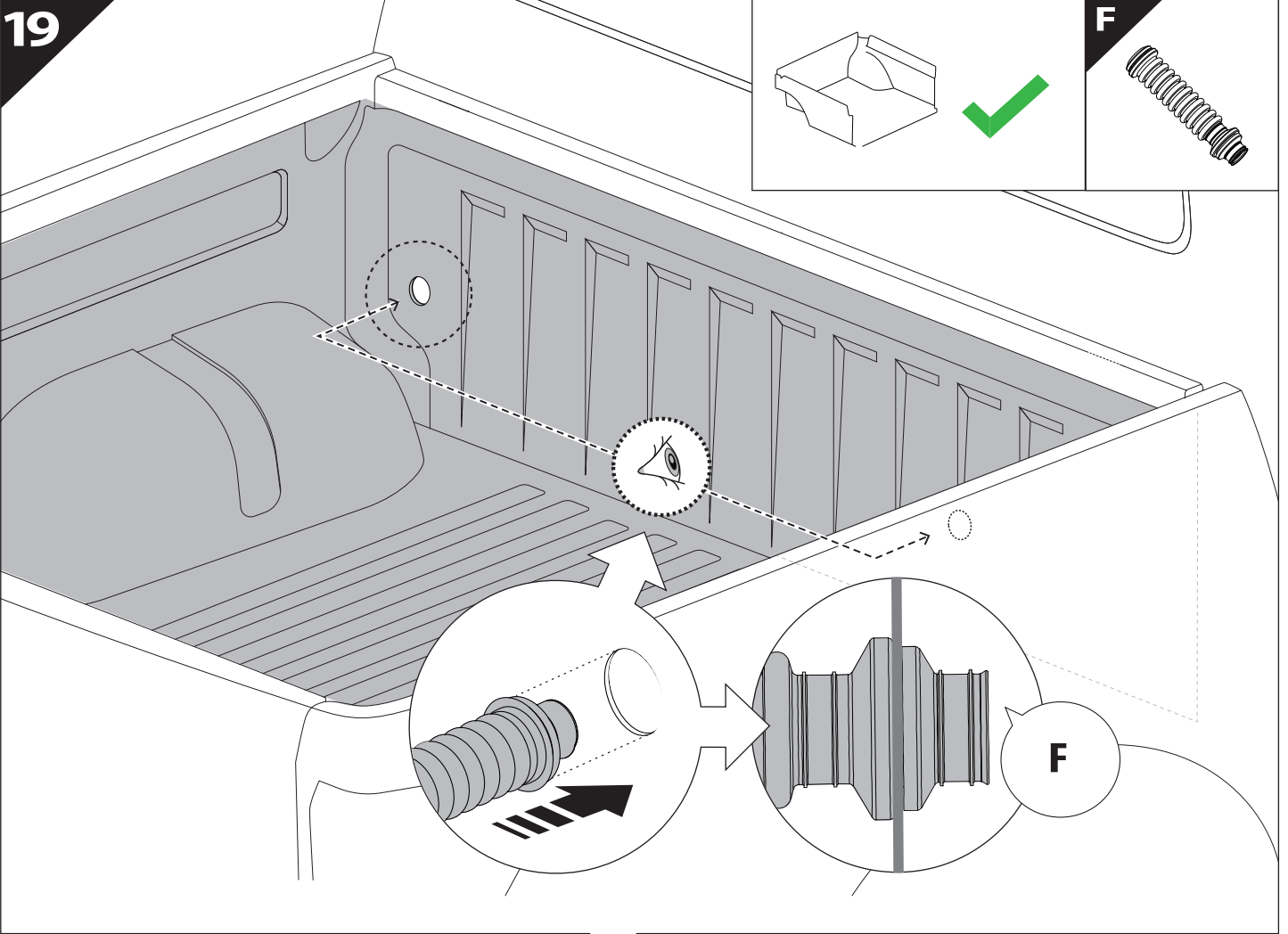


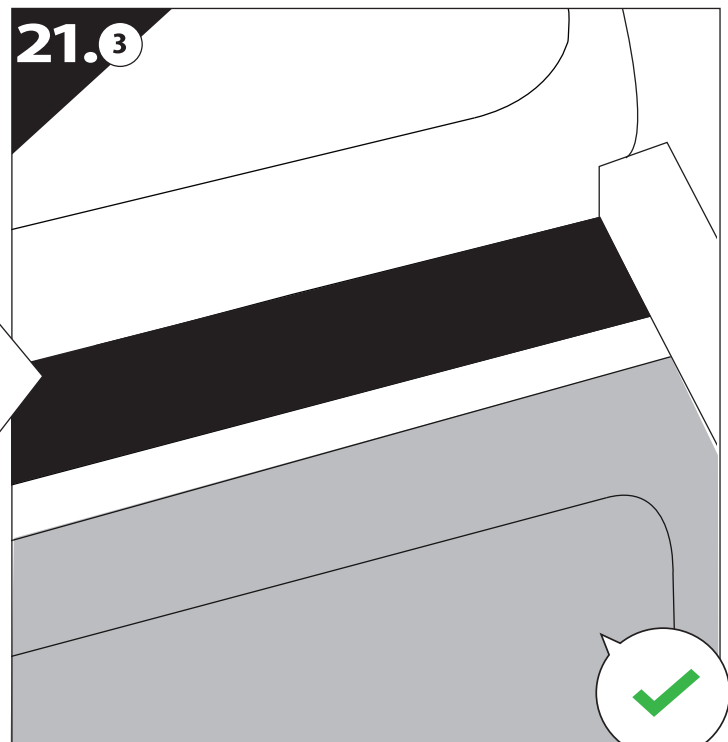
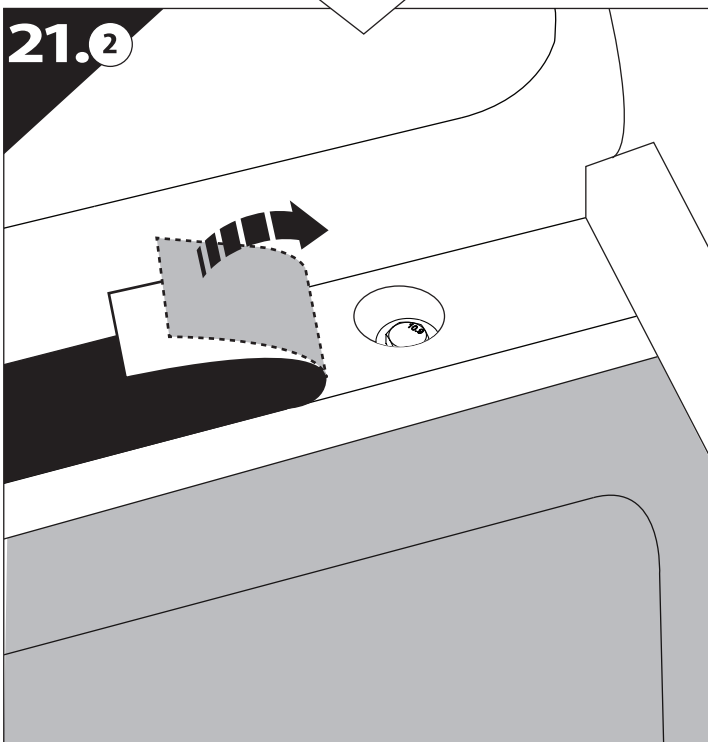
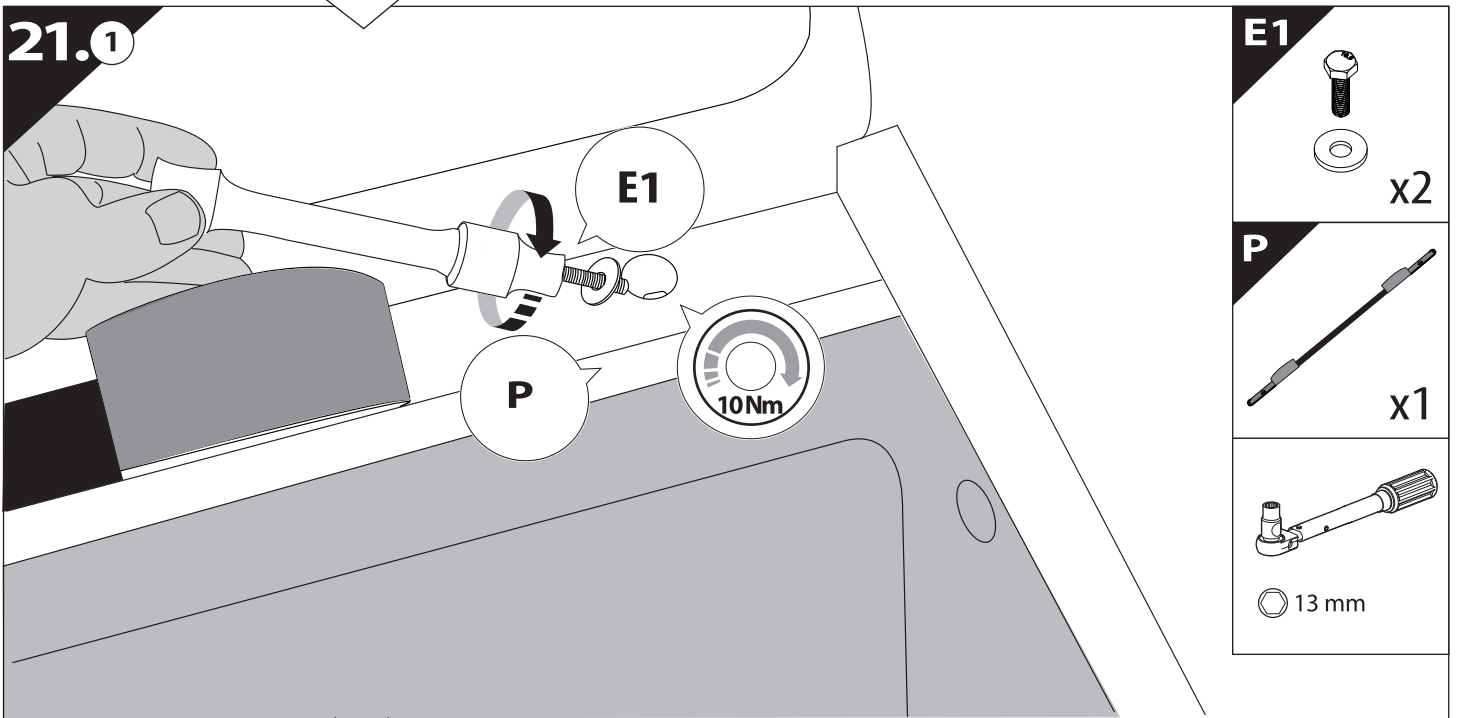
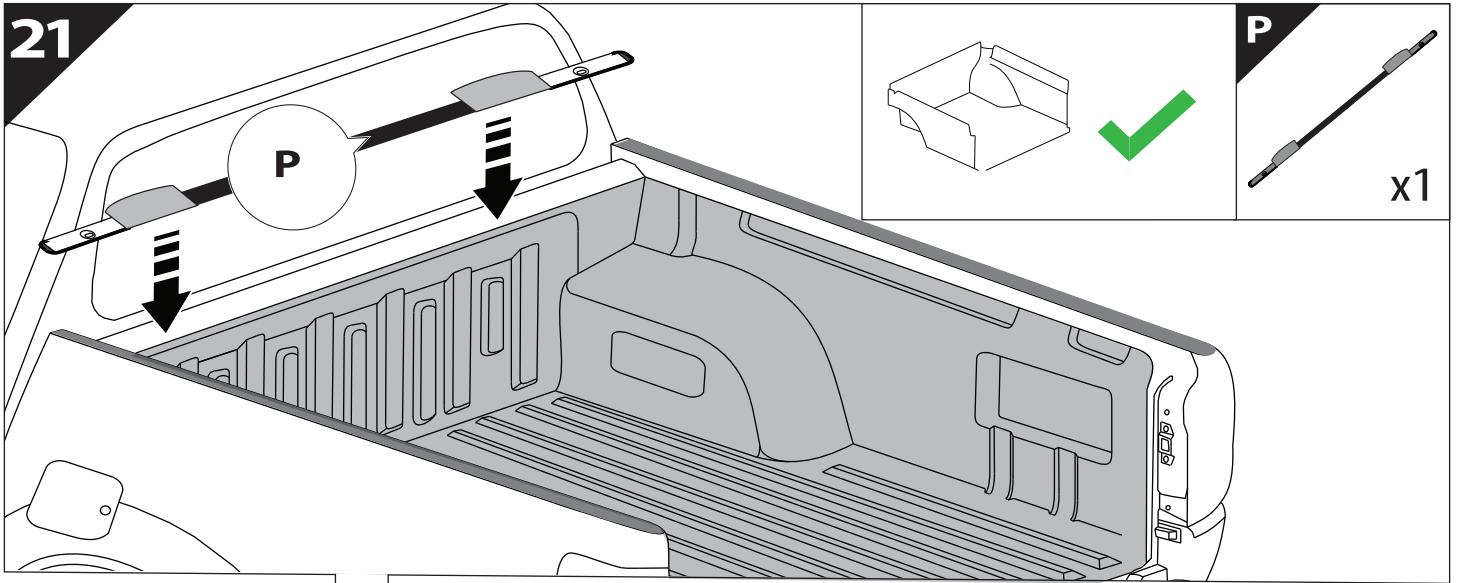
X:610mm Y:340mm



18



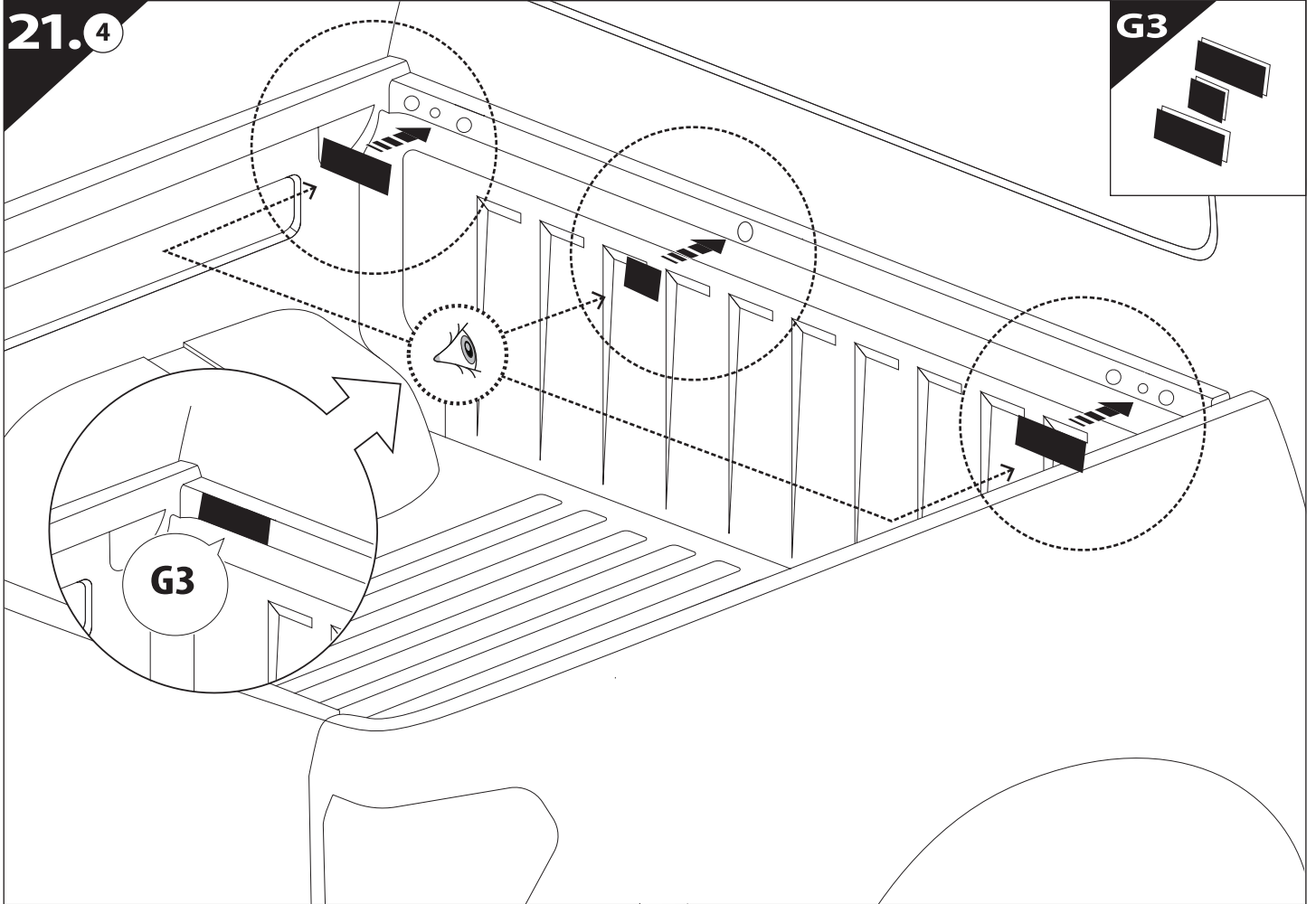






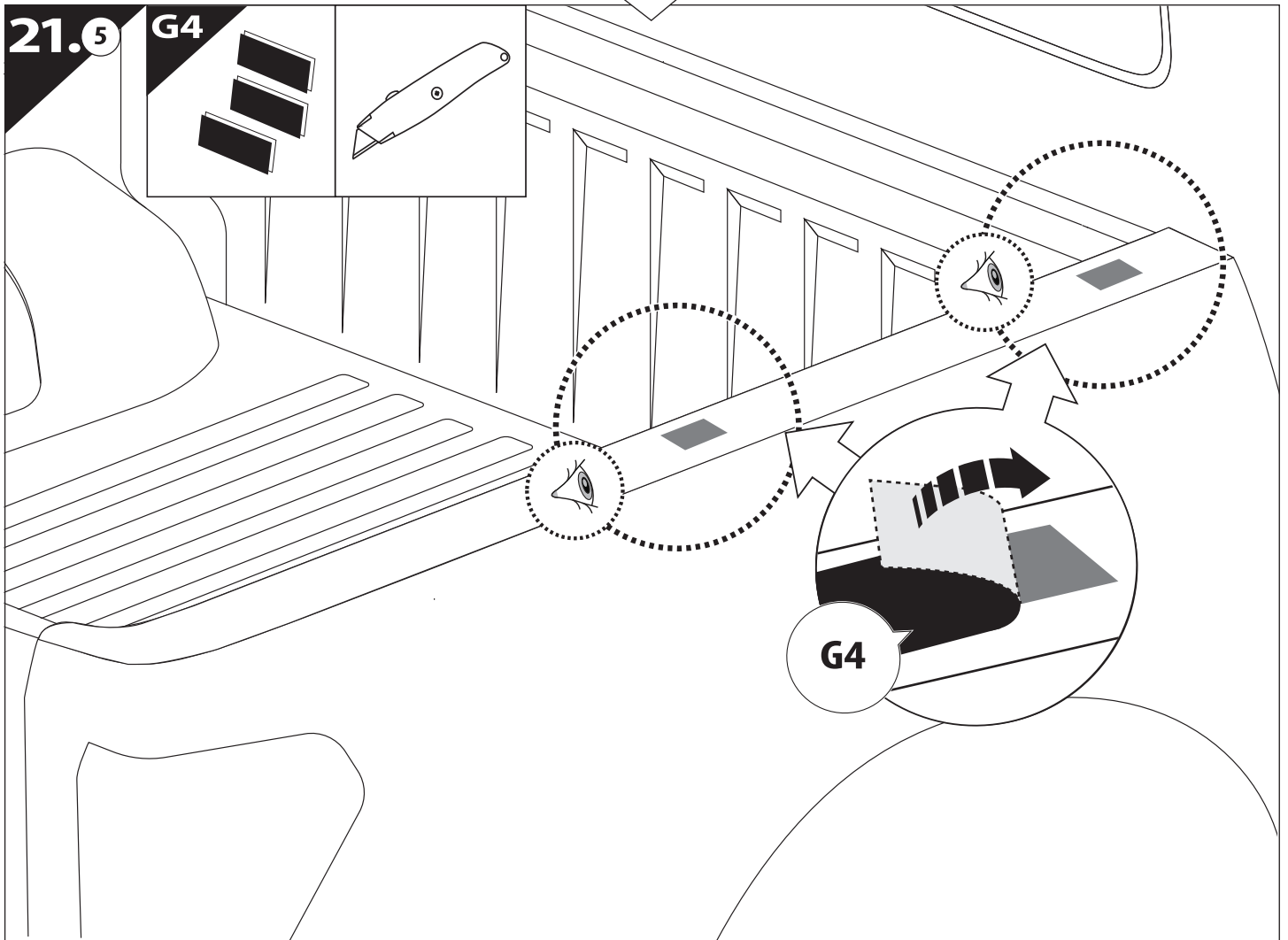
21.4

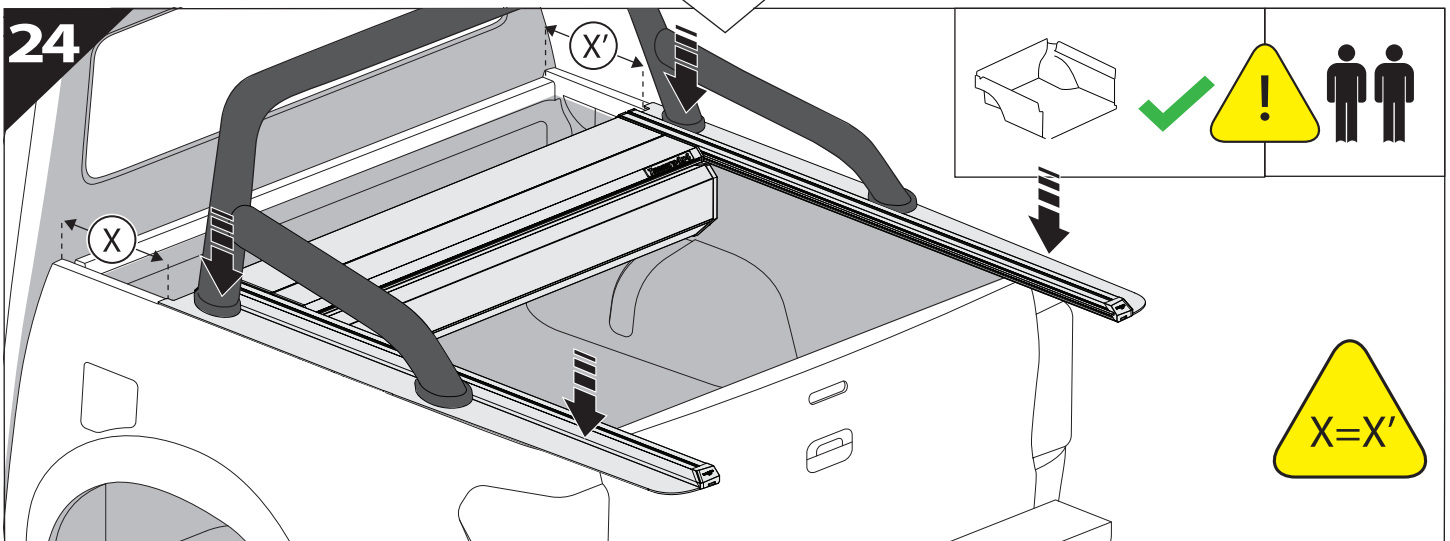
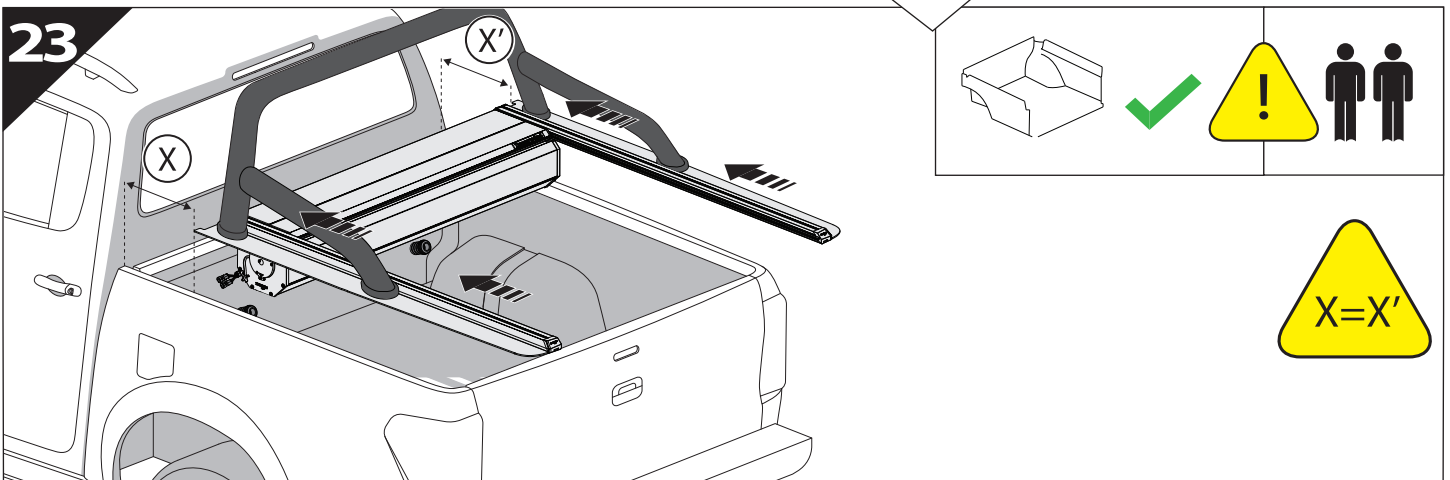
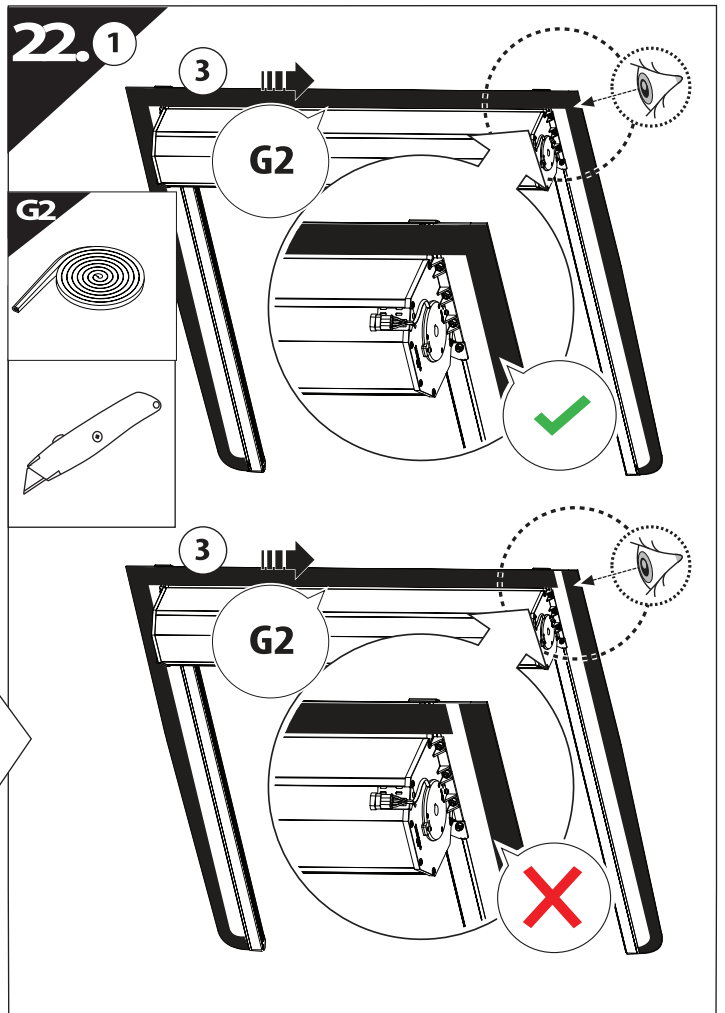
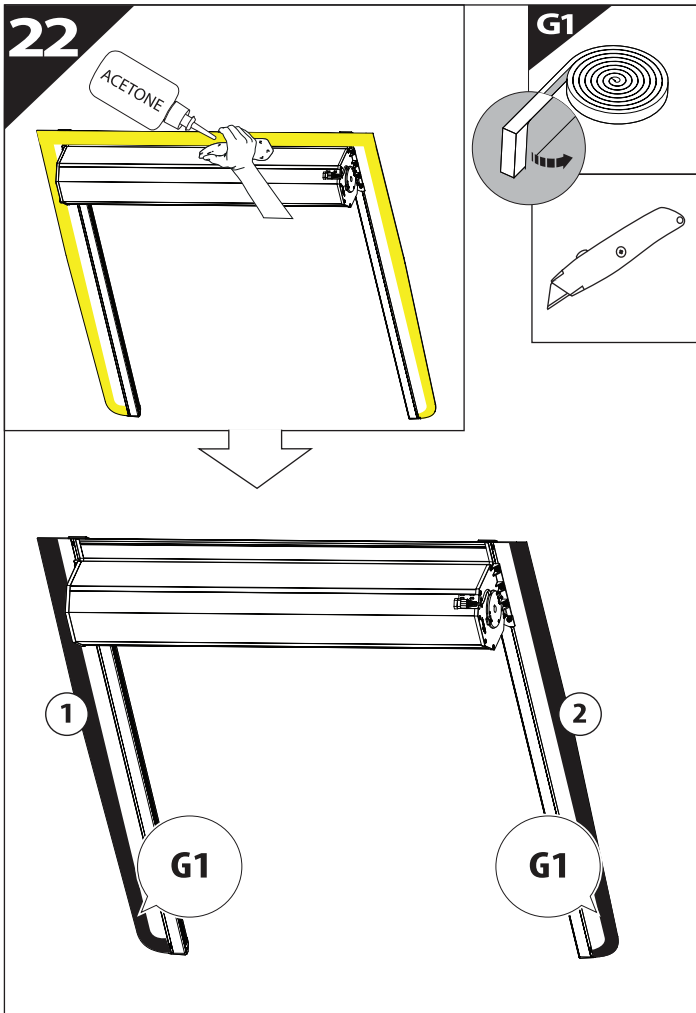
G3



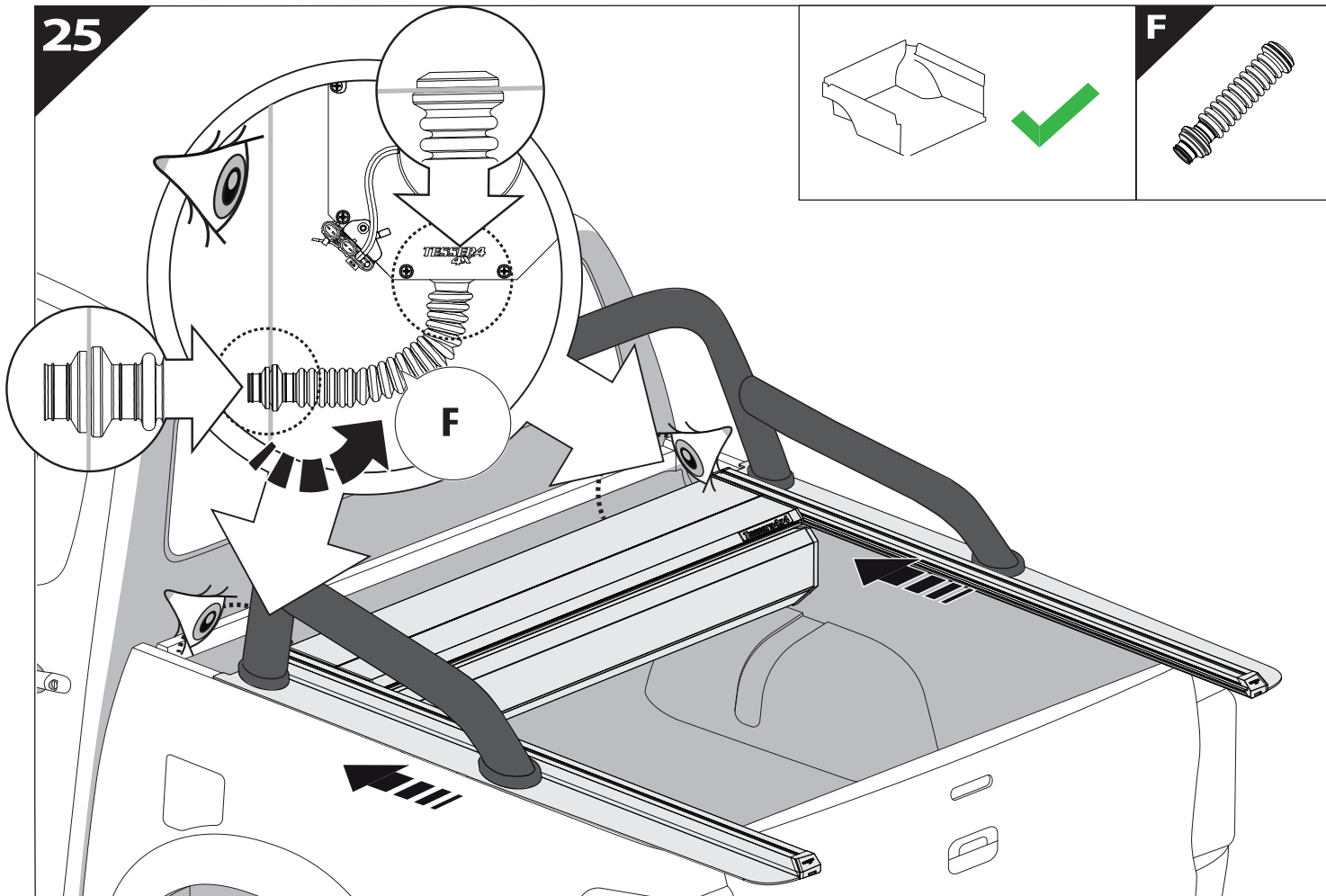
21.5

G4

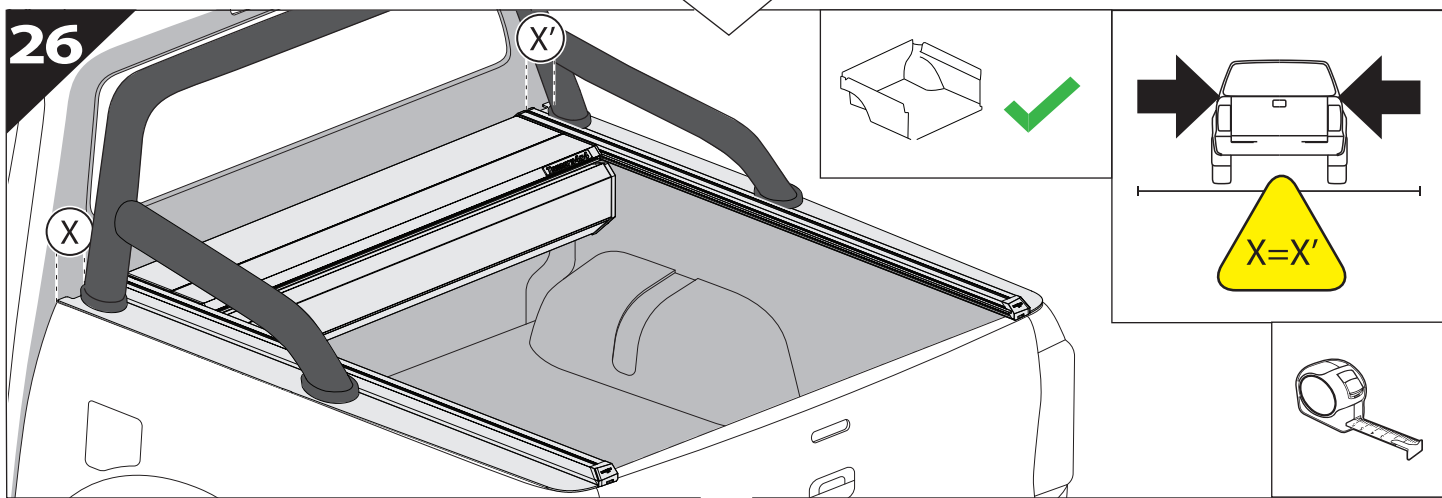




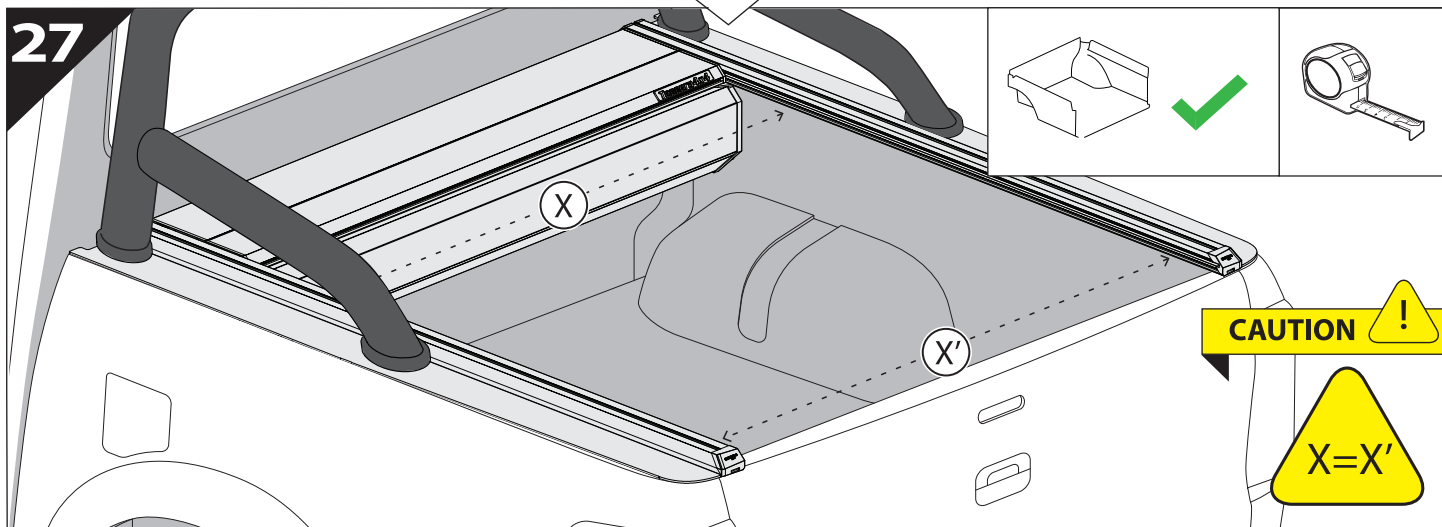
25



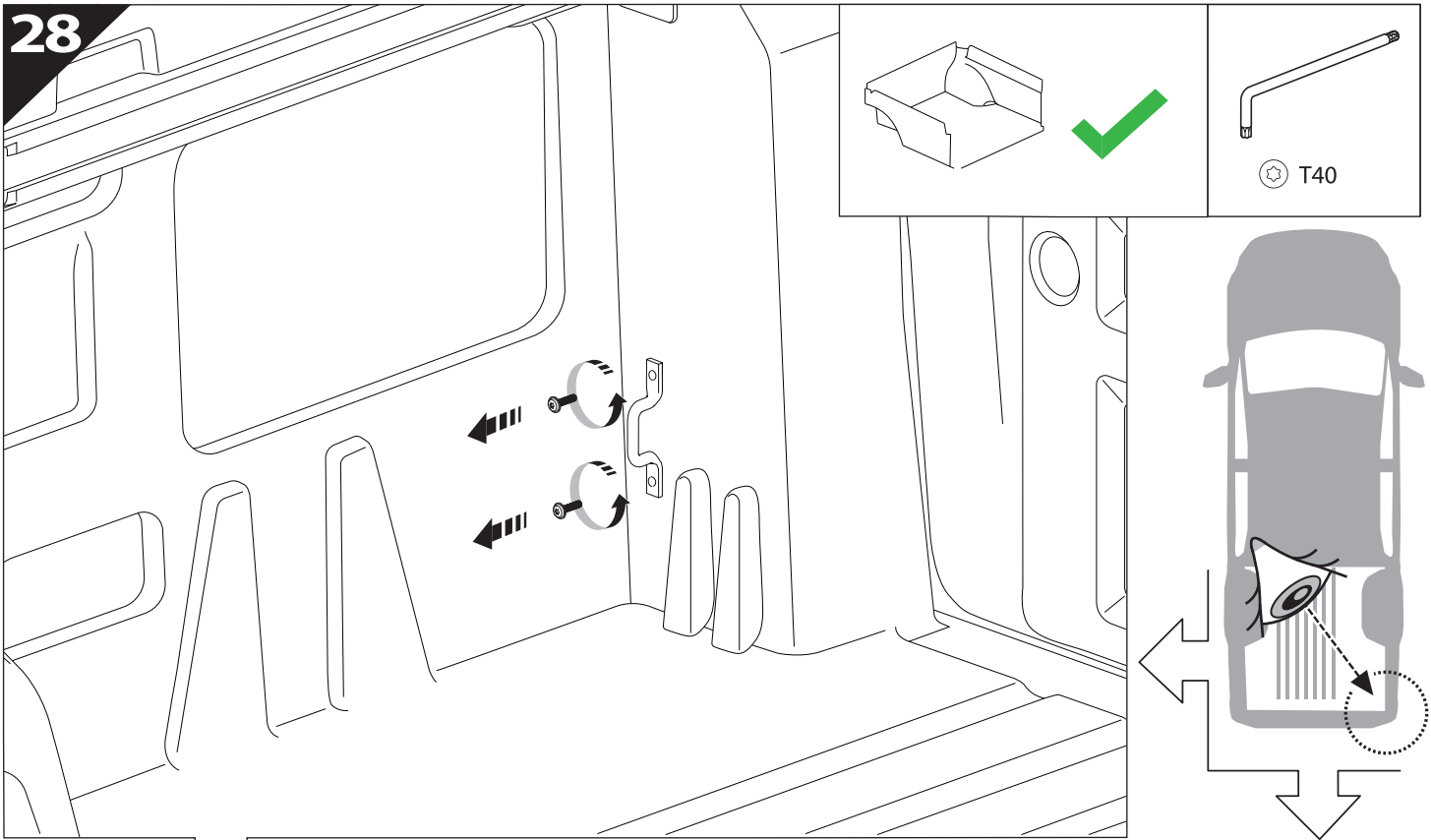
26



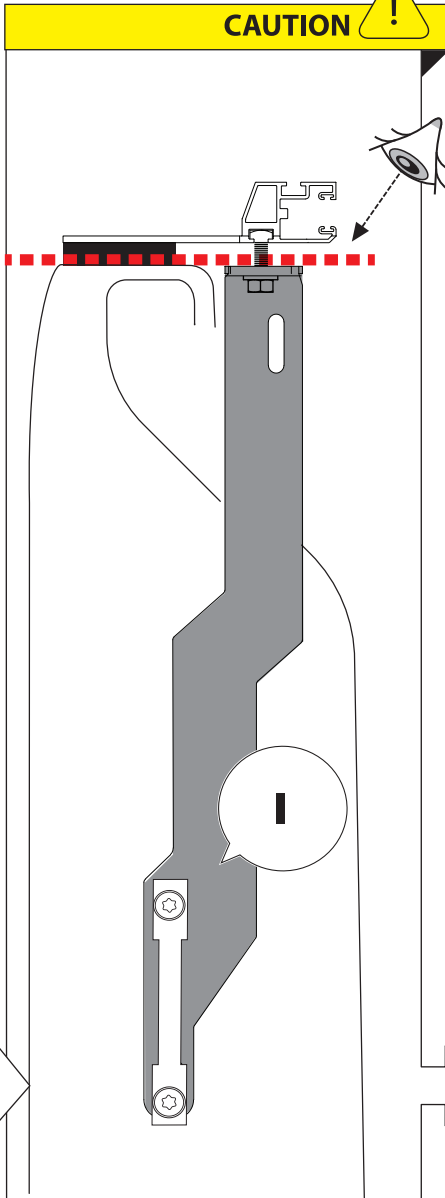
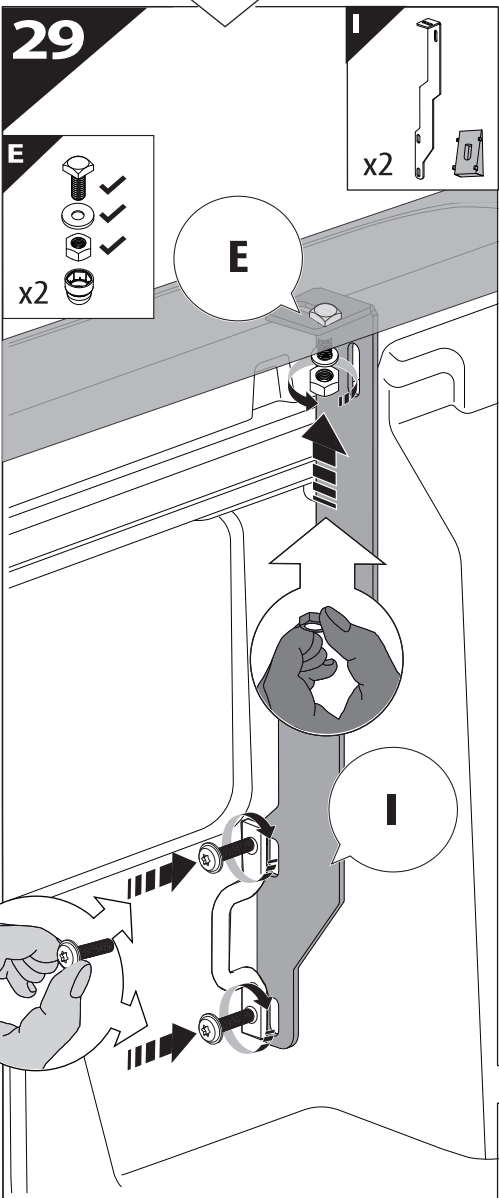
27



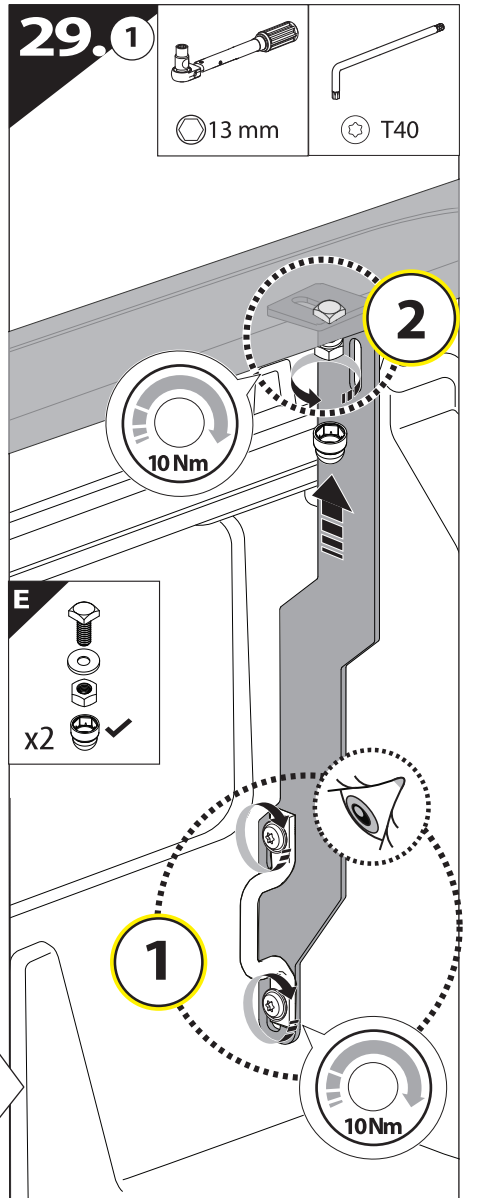
28



29

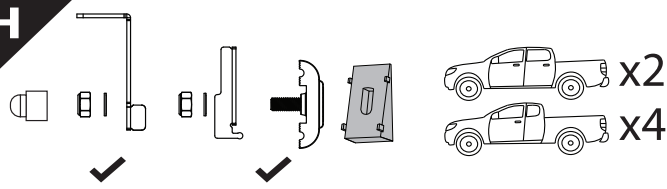


29.1

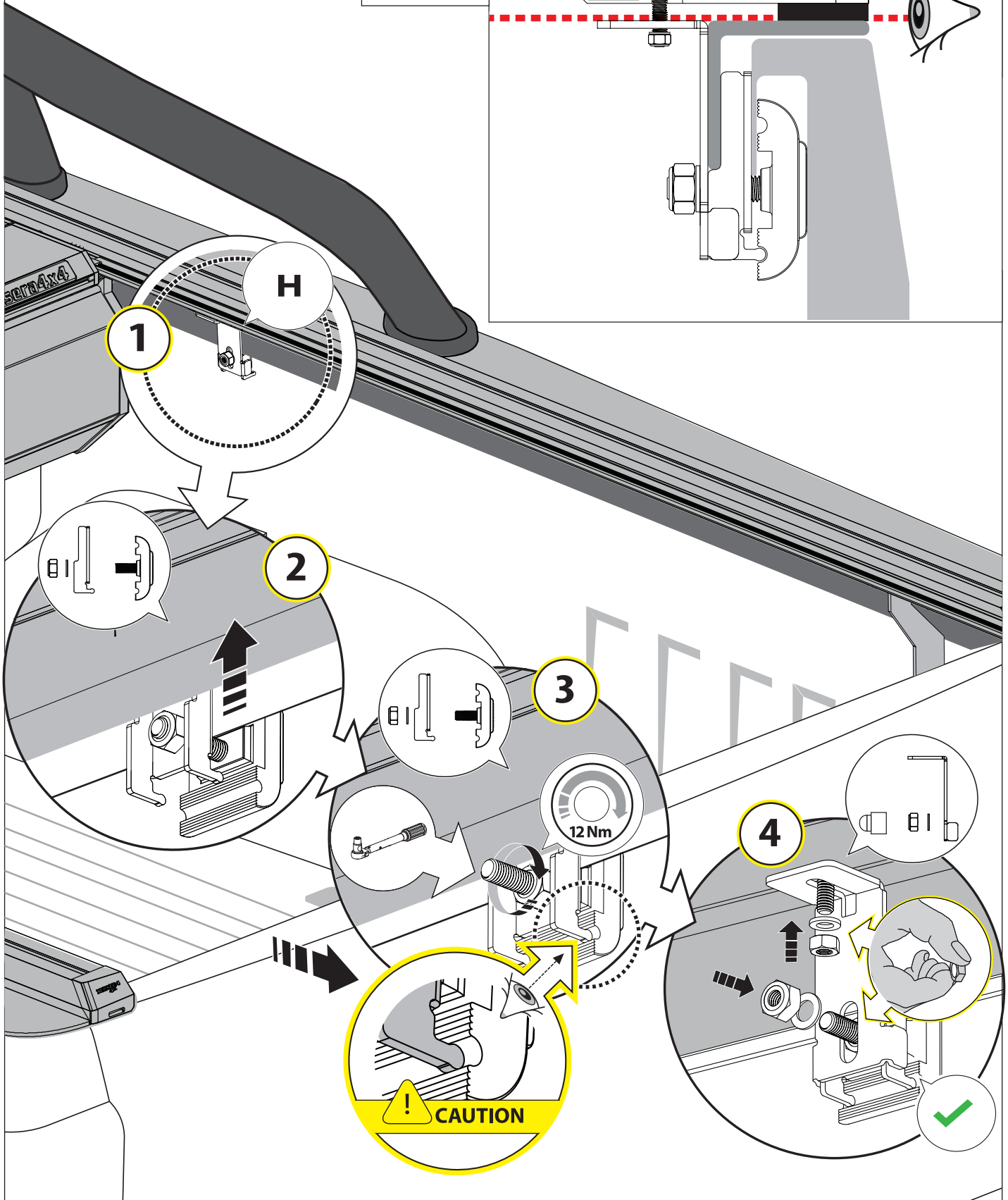
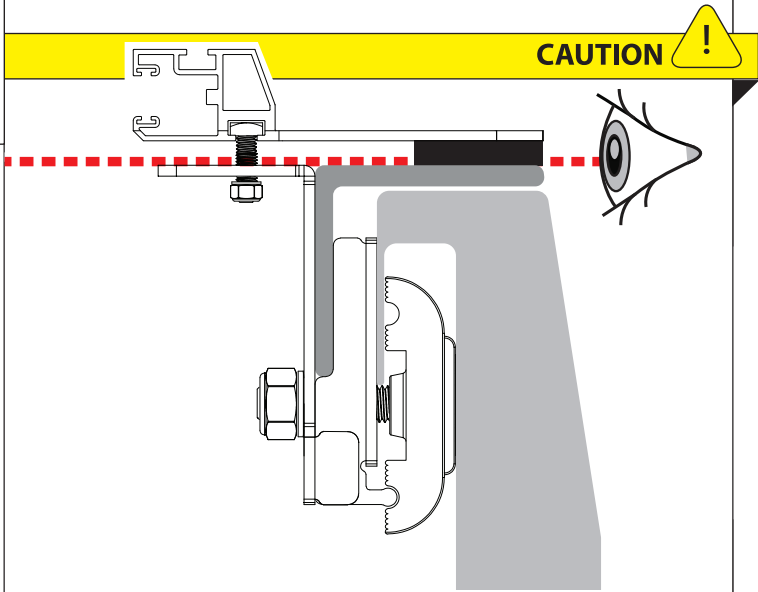
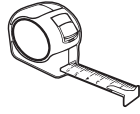
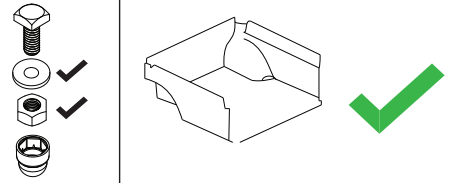


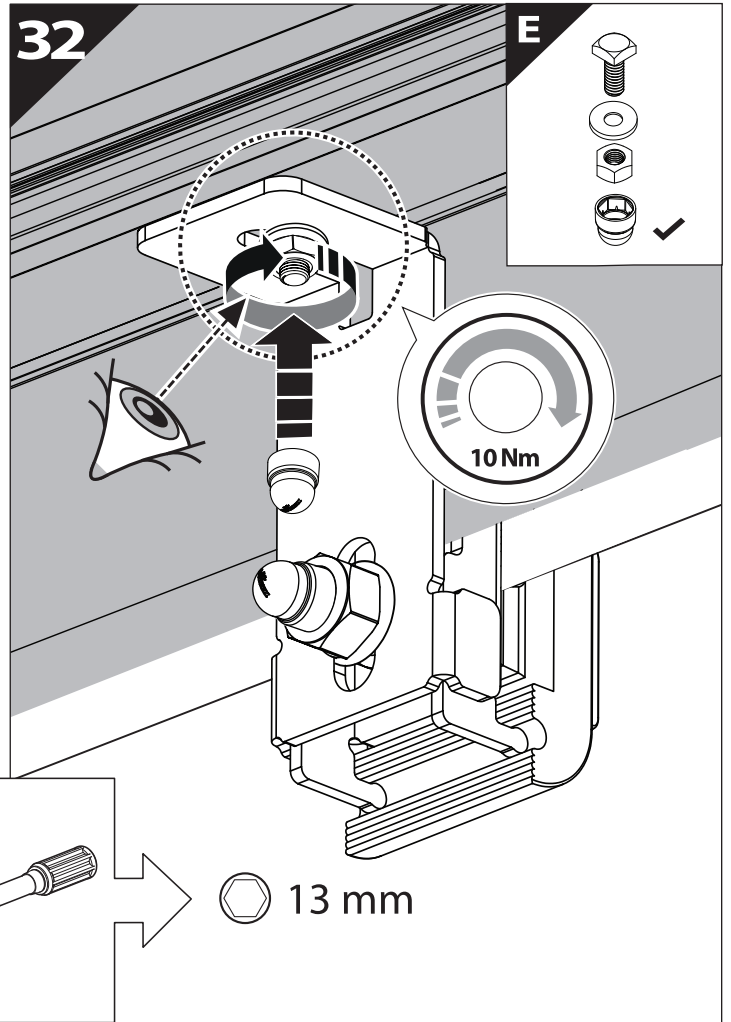
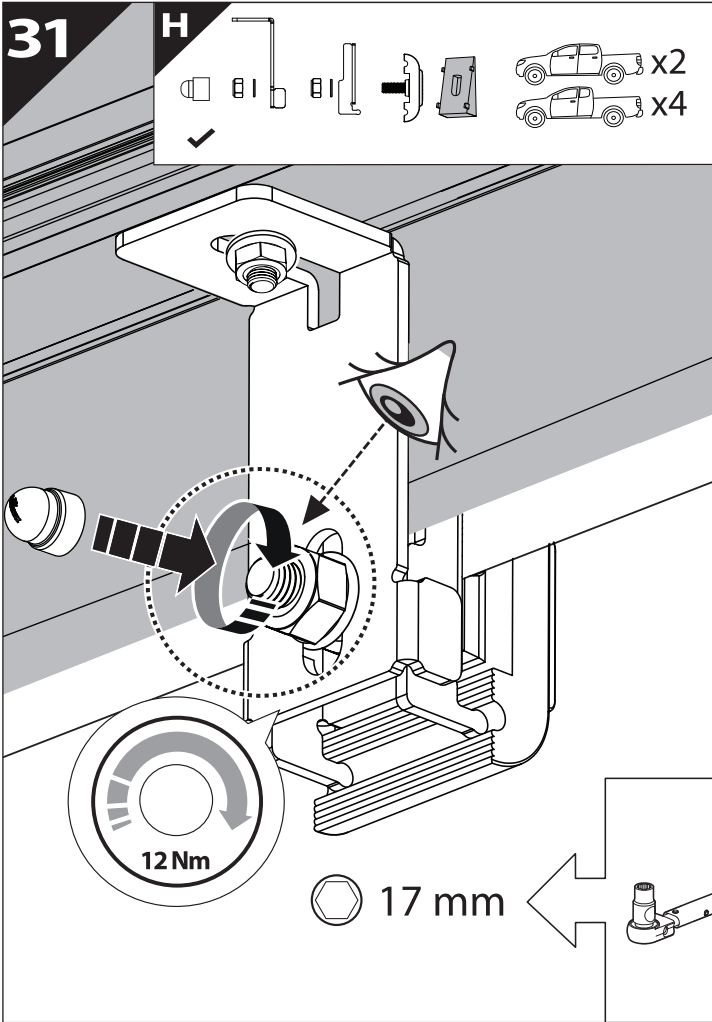
30

H

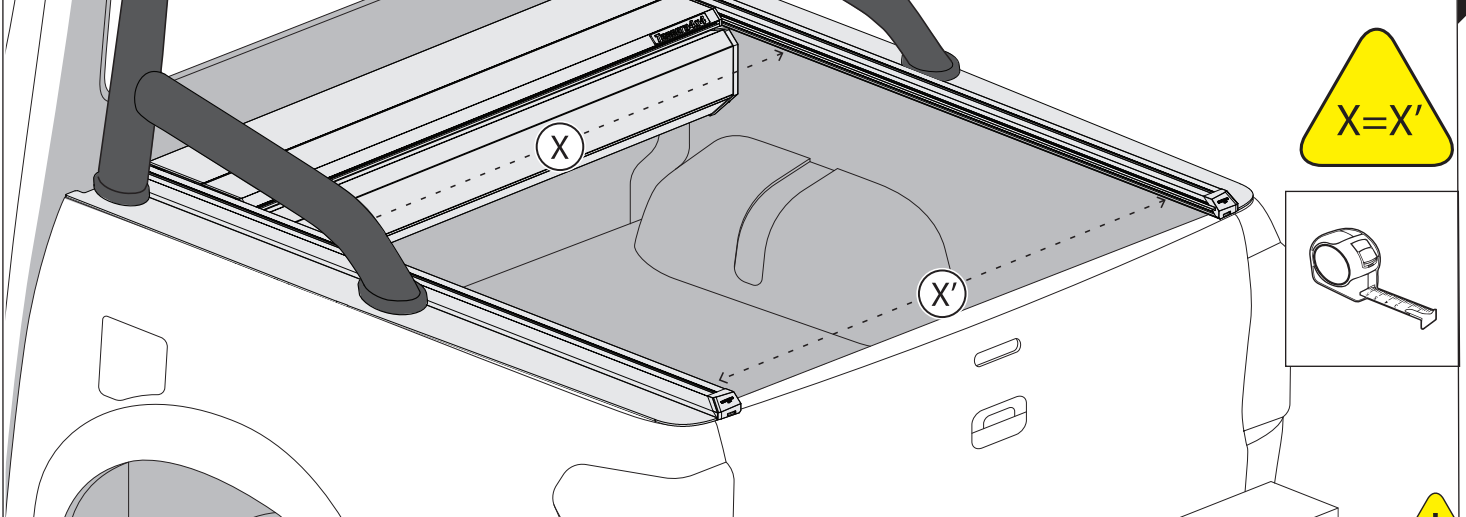


E

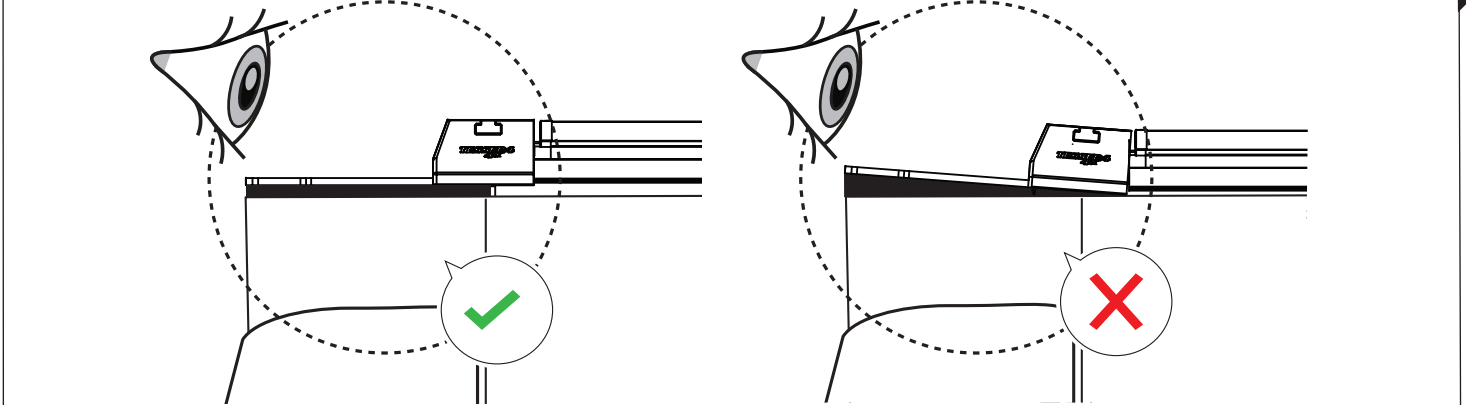




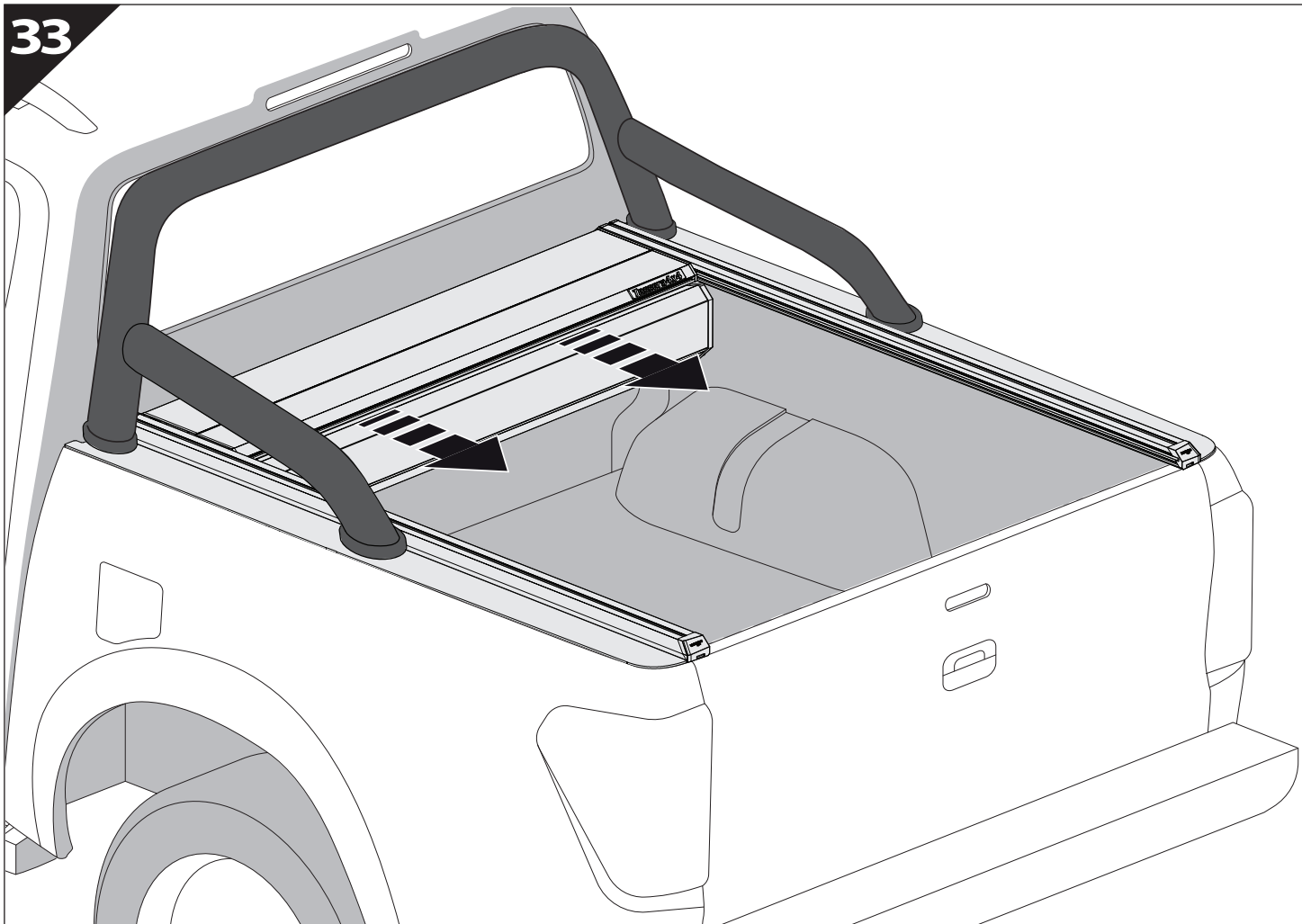
**CAUTION** !



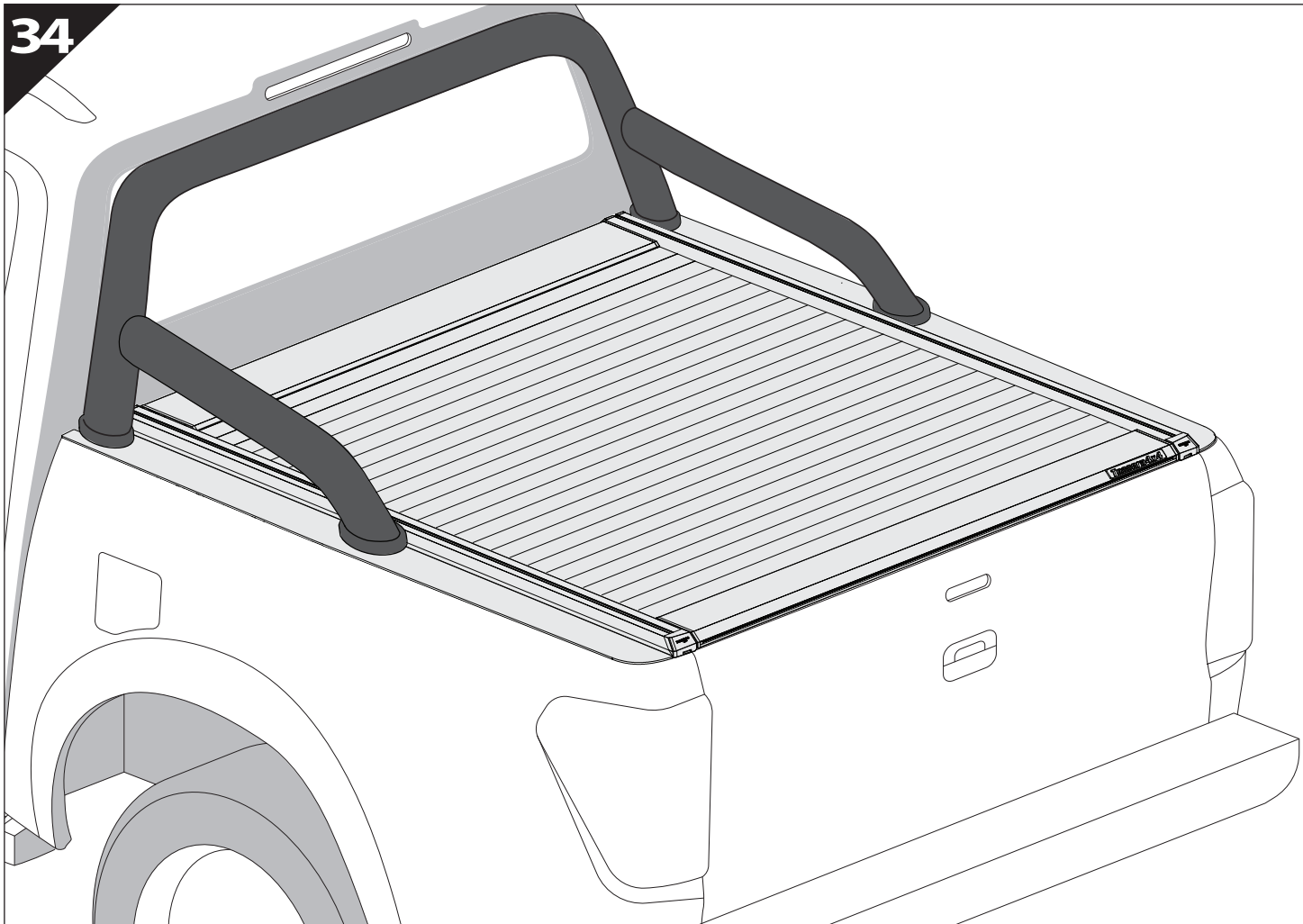
**CAUTION** !



33



34





**GR:** Οδηγίες Εγκατάστασης  
**GB:** Installation manual  
**SF:** Asennusohje  
**F:** Notice de montage  
**PL:** Instrukcja montażu  
**NL:** Installatie-instructies  
**TR:** Montaj Talimatı  
**S:** Monteringsanvisning  
**E:** Instrucciones de montaje

**H:** Szerelési utasítás  
**P:** Instruções de instalação  
**RUS:** Инструкция по установке  
**N:** Monteringsveiledning  
**D:** Einbauanleitung  
**CZ:** Návod k instalaci  
**I:** Istruzioni de montaggio  
**DK:** Monteringsvejledning  
**RO:** Instructiuni de instalare

Customer Service:

+30 (210) 5541161, +30 (210) 5541154 (08:00 - 16:00 EET)

Support department:

[info@gianso.gr](mailto:info@gianso.gr)

Website:

[www.tessera4x4.com](http://www.tessera4x4.com)

Address:

19.5 km of National road Athens-Korinthos (Elefsina) Greece, P.C: 19200