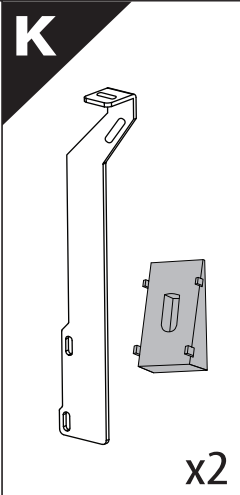
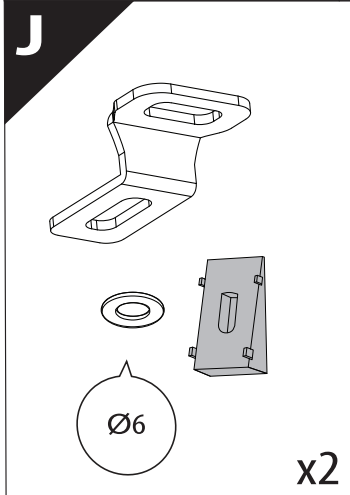
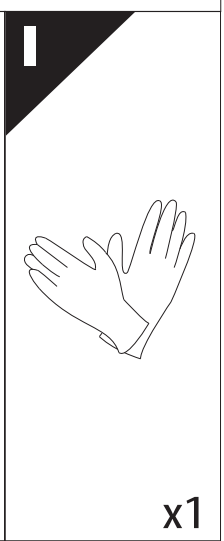
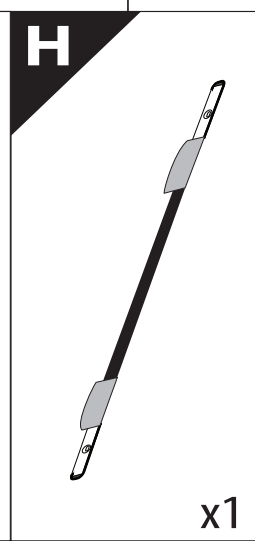
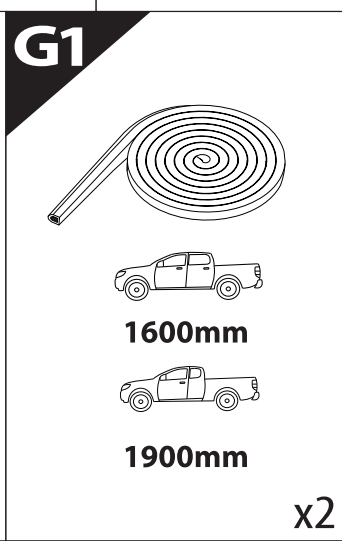
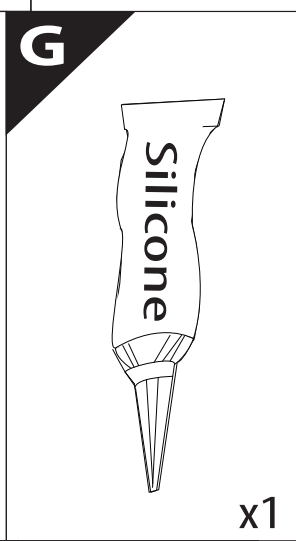
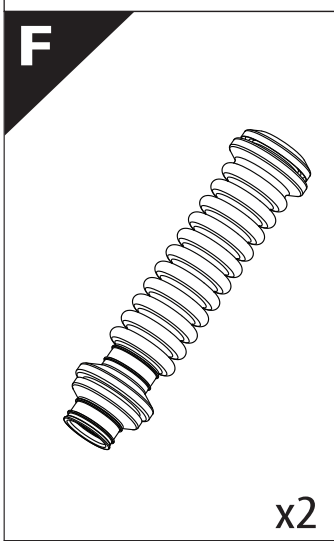
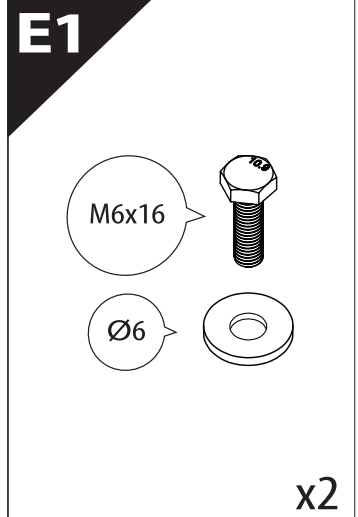
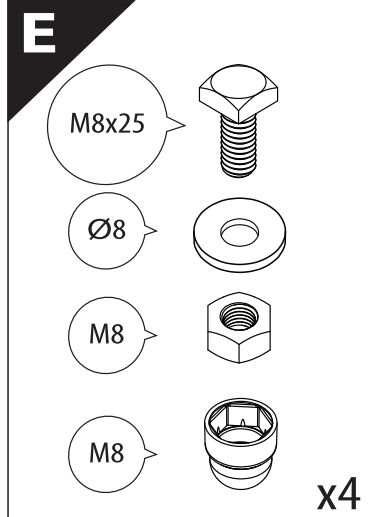
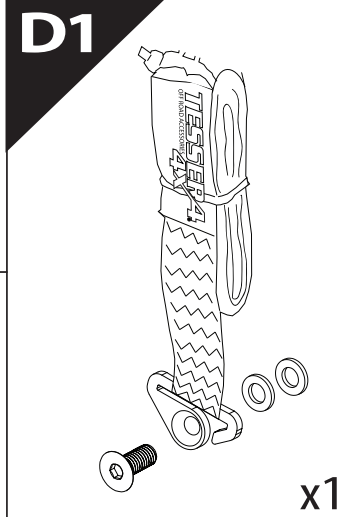
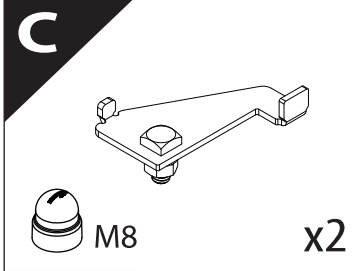
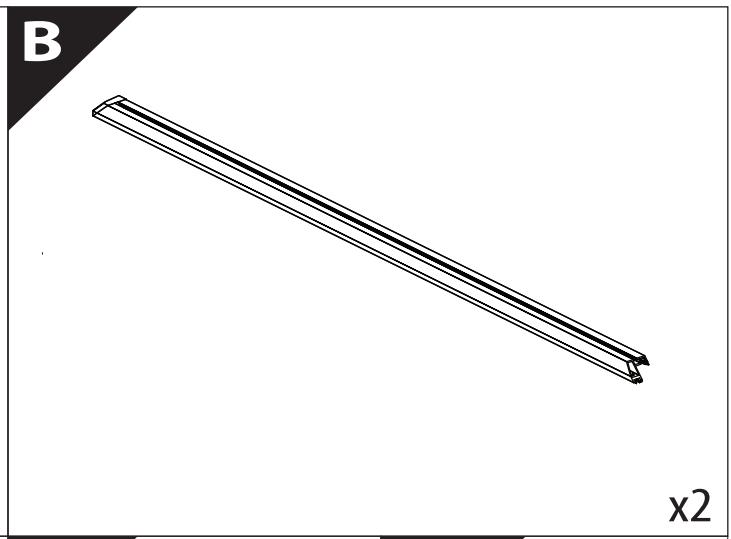
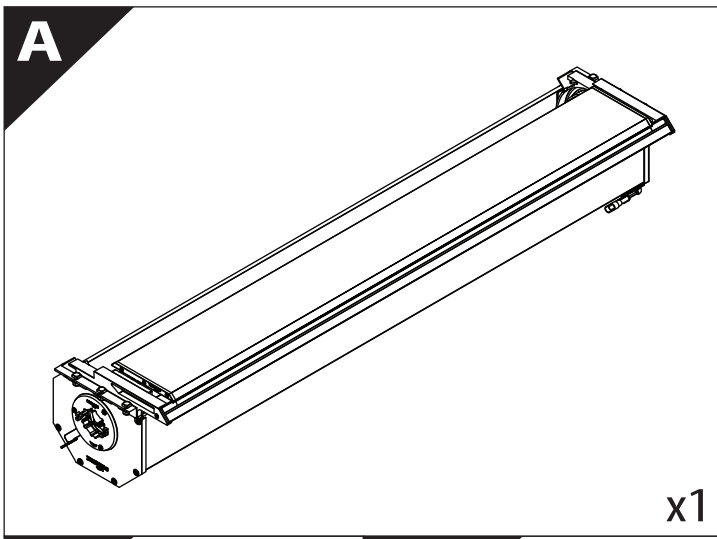
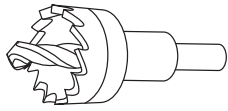


## Installation Manual

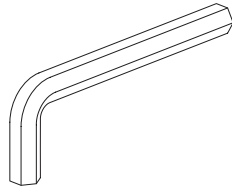
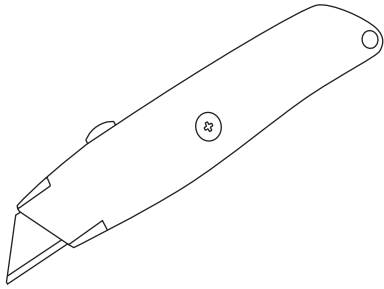
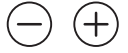
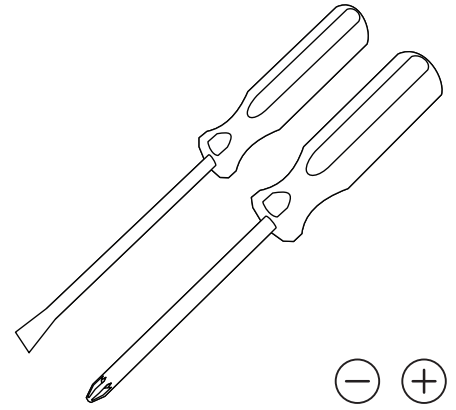
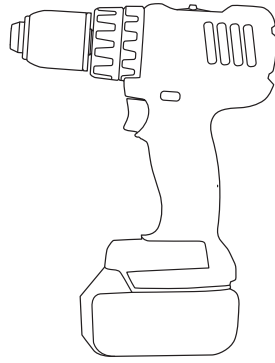
PART NUMBER(S)	Model Year
TESS 1508 SE	FORD RANGER WildTrak 2012+ / 2016+ / 2020+
TESS 1509 SE	
Cab(s)	Installation Time / Weight
Double Cab & Space cab	40-60 minutes / 53-57 kg





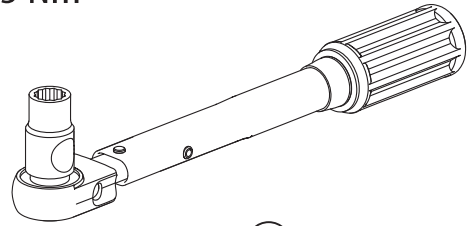


Ø 25 mm



4 mm

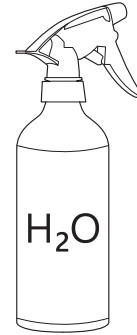
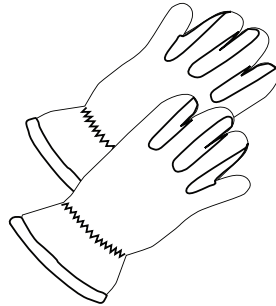
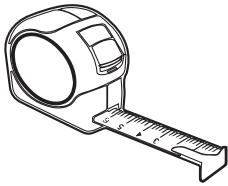
1 - 25 Nm



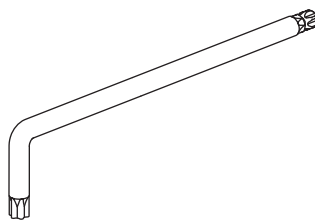
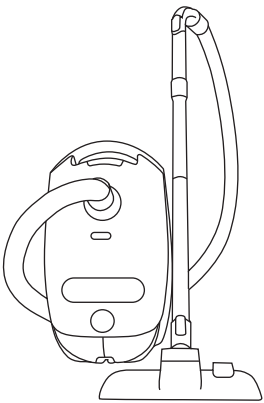
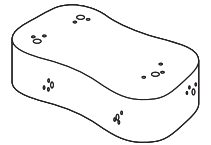
10, 13, 17 mm



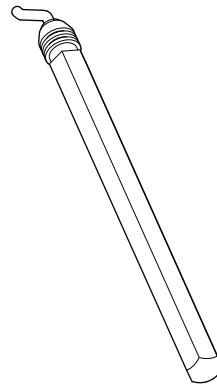
ACETONE



H<sub>2</sub>O



T30, T40

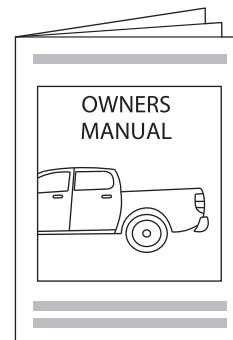


ANTI-RUST



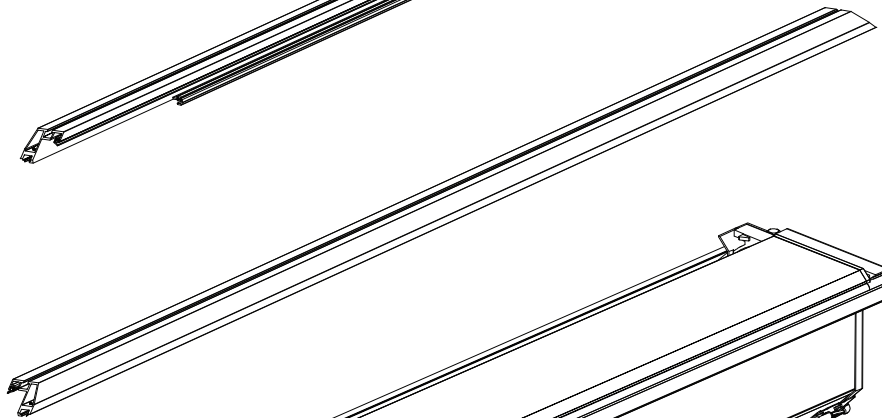
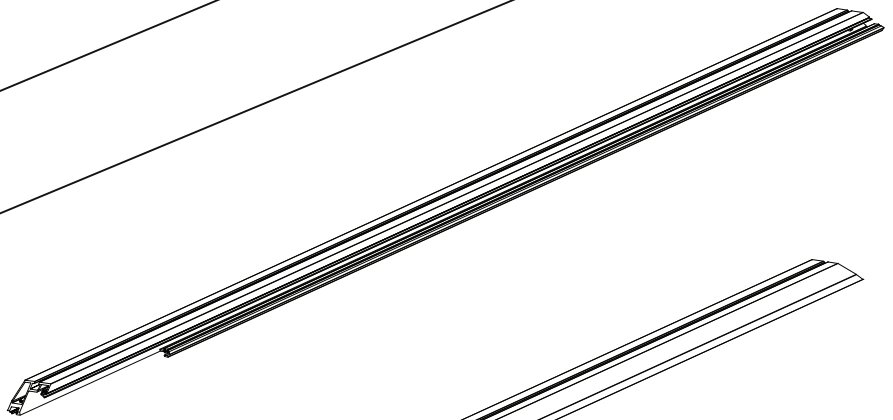
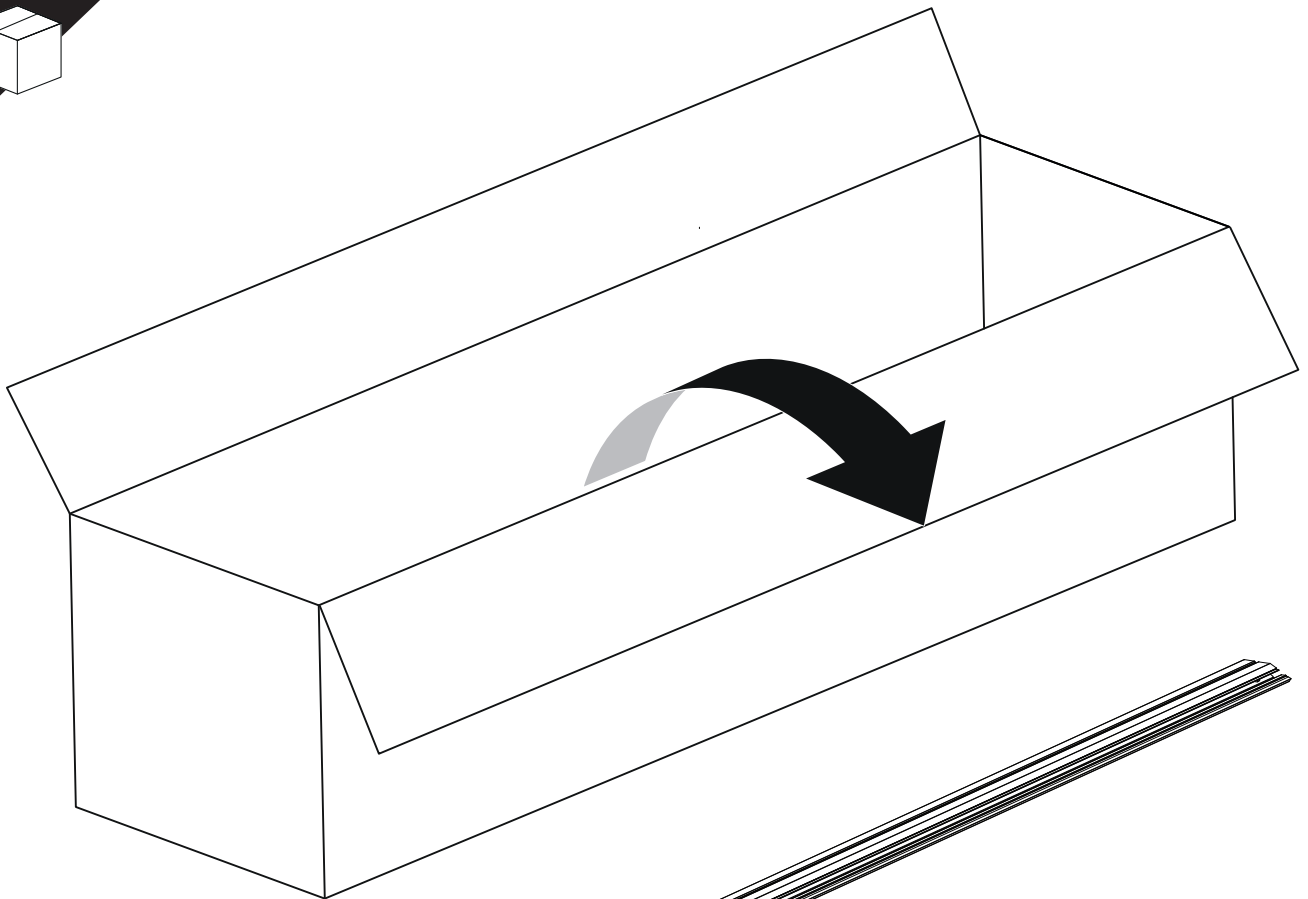
INSTALLATION  
MANUAL

x1

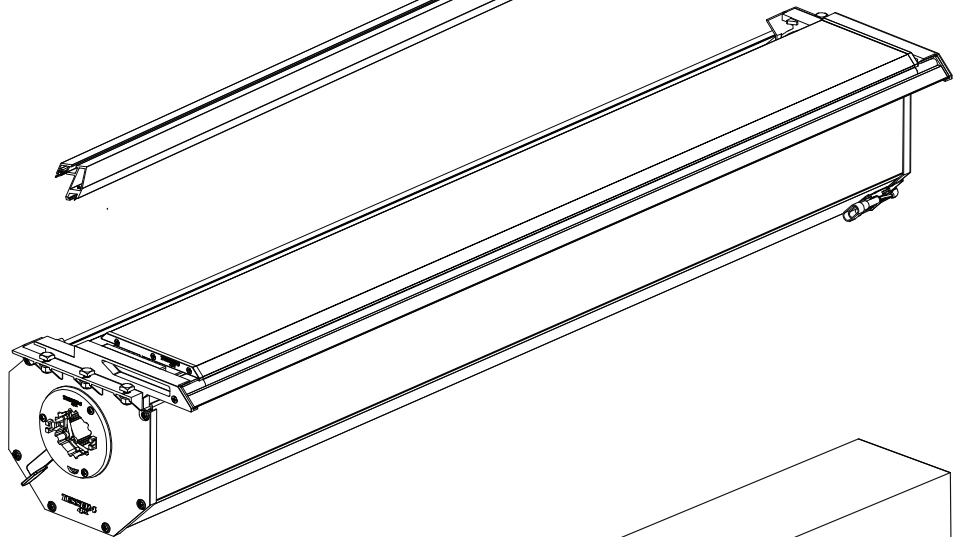


OWNERS  
MANUAL

x1

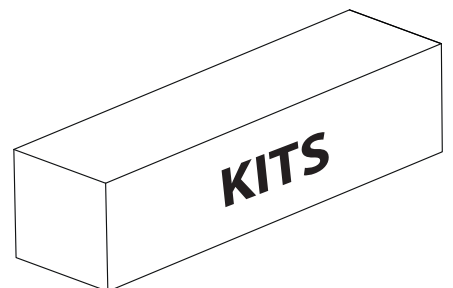


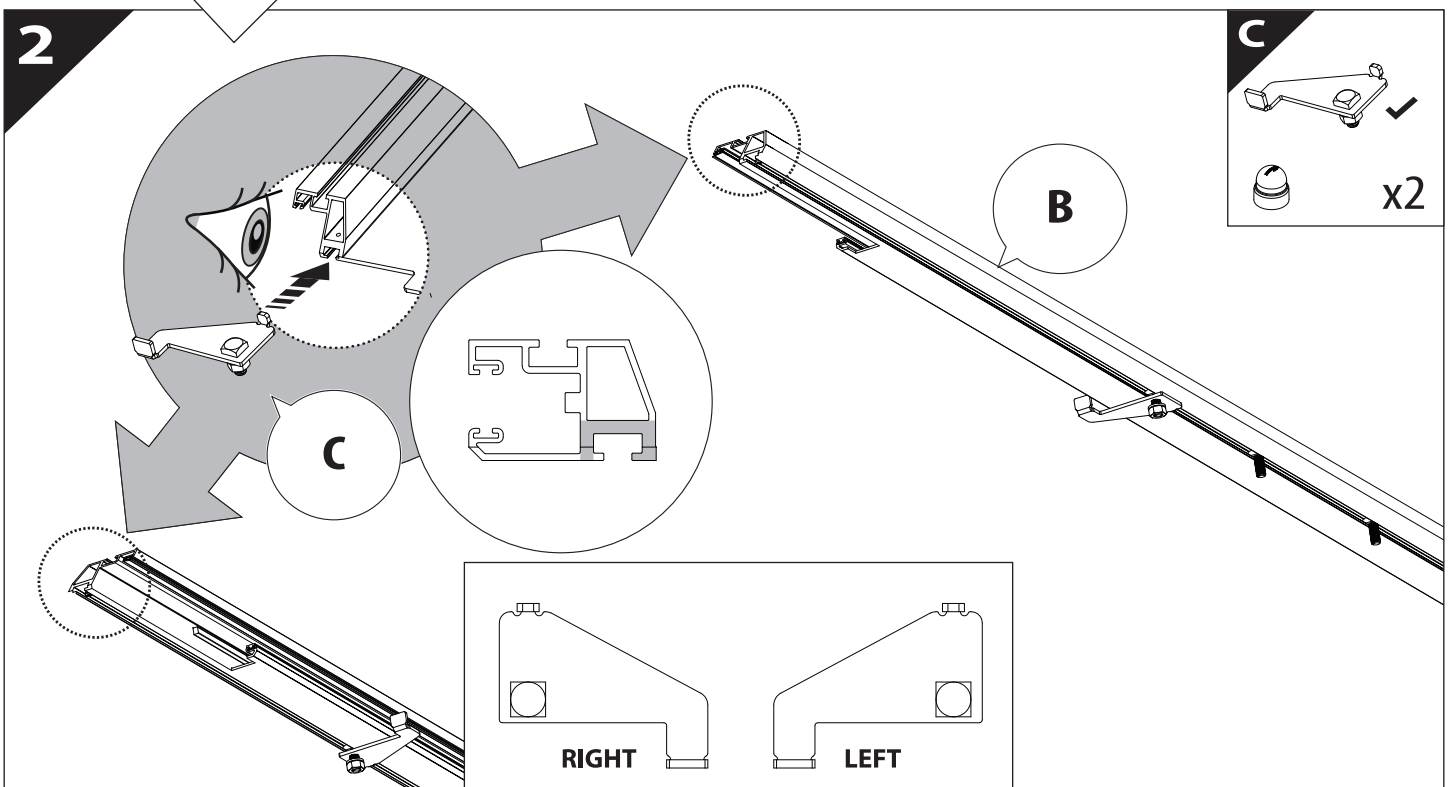
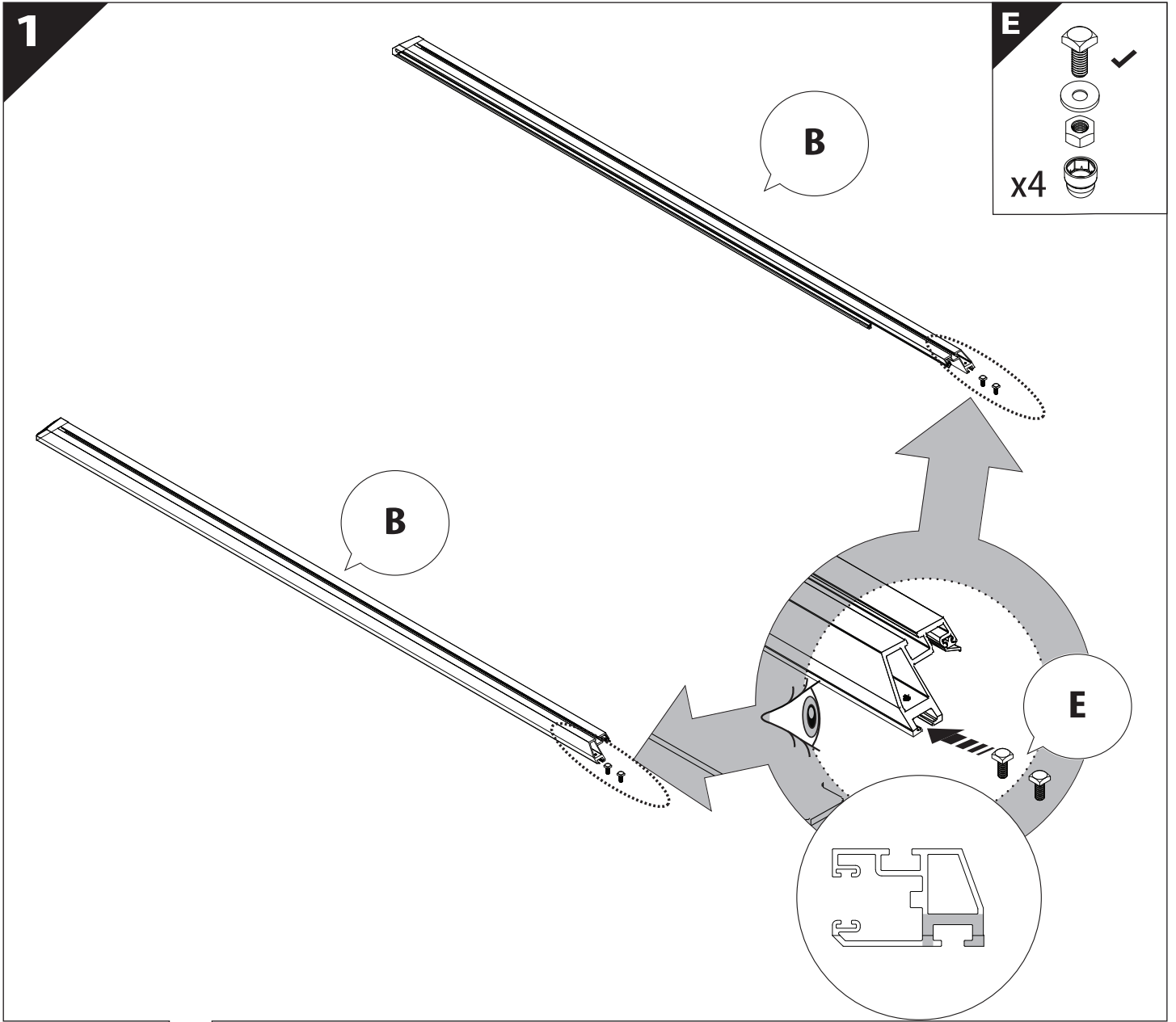
**B**



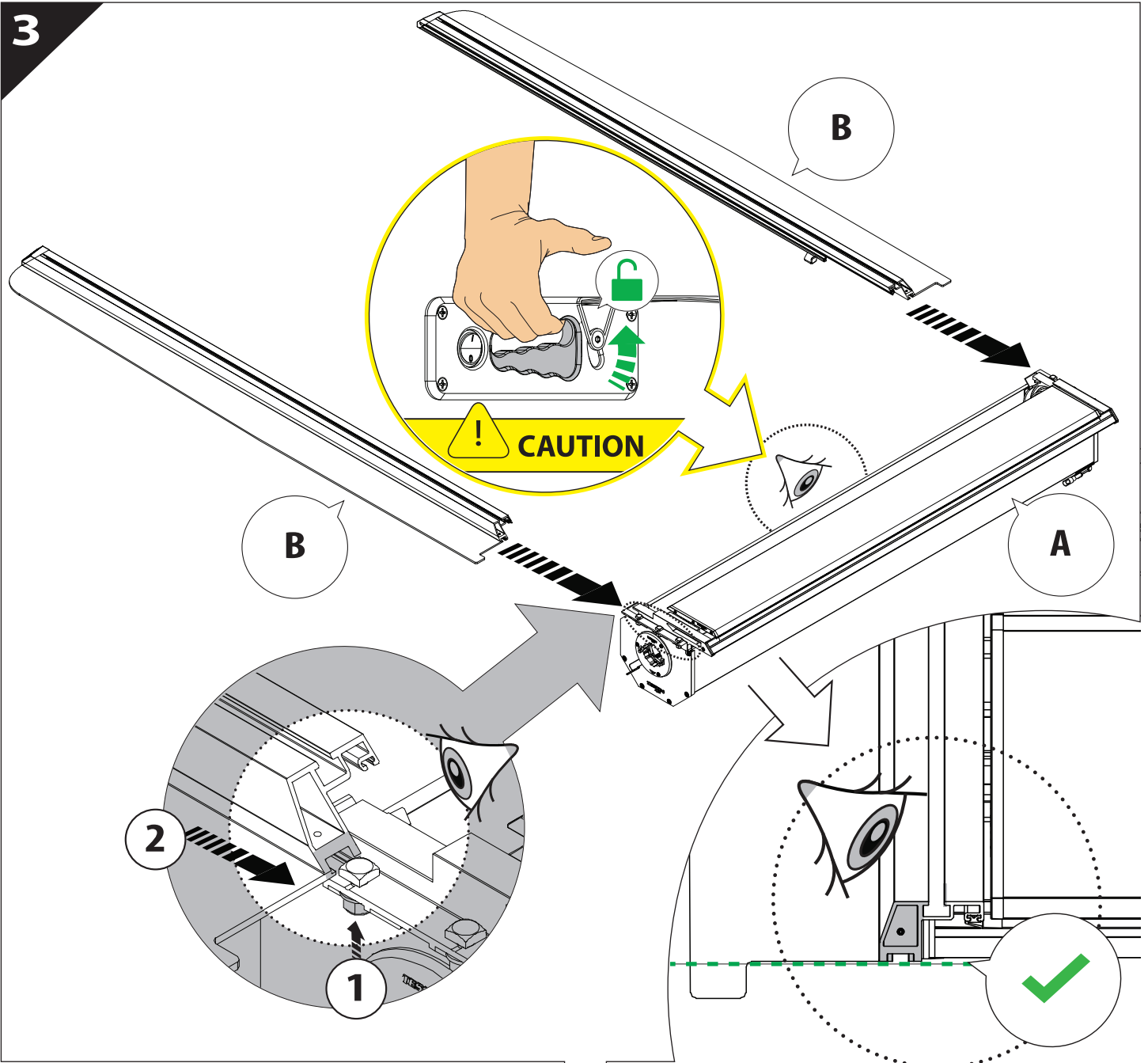
**A**

**KITS**

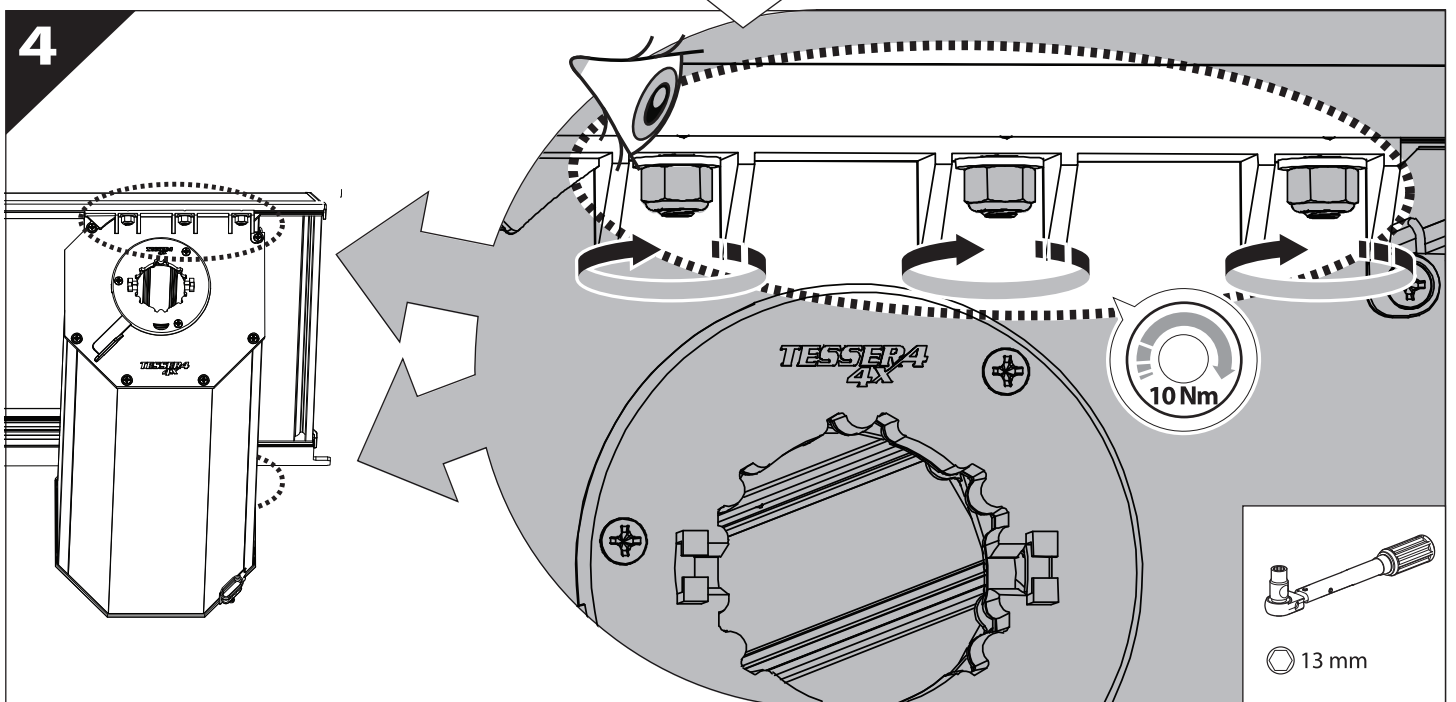


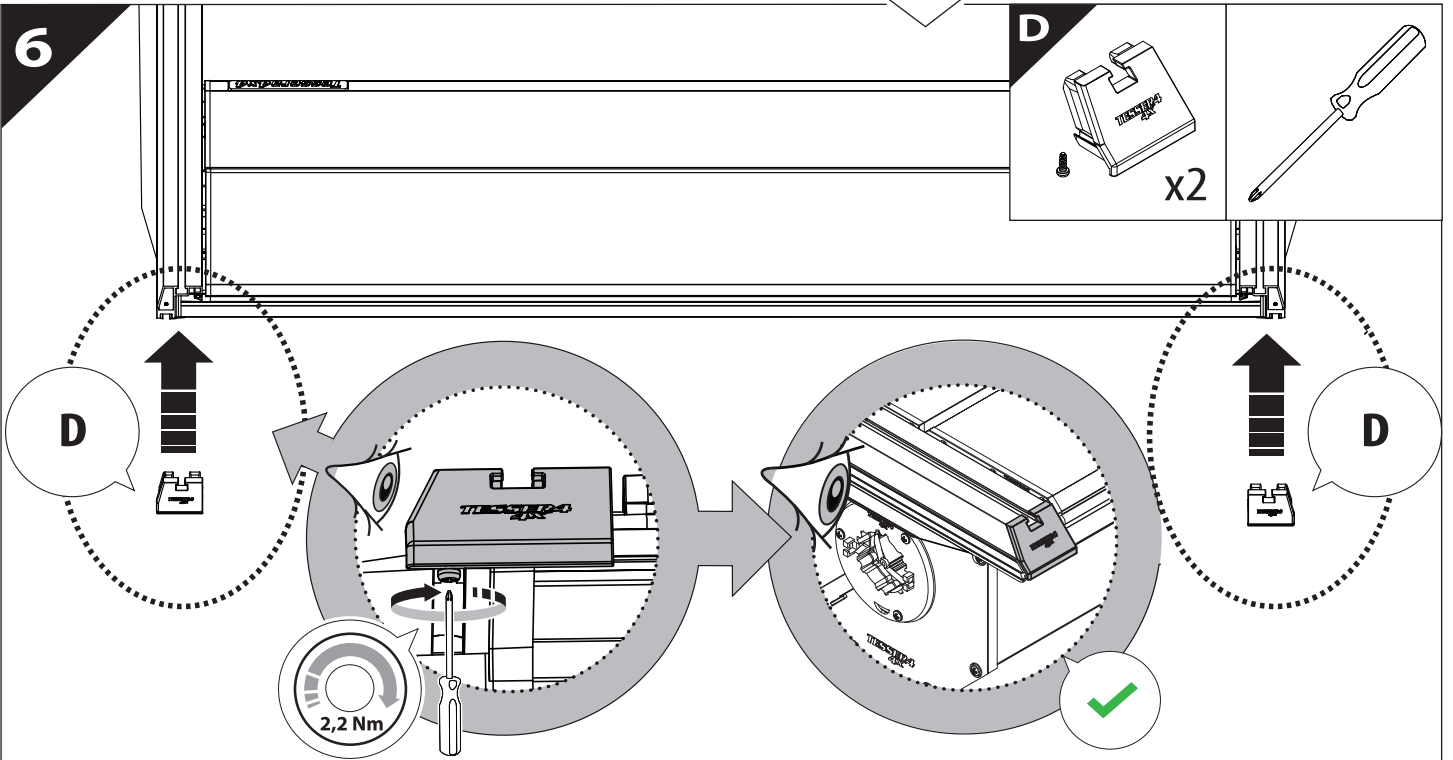
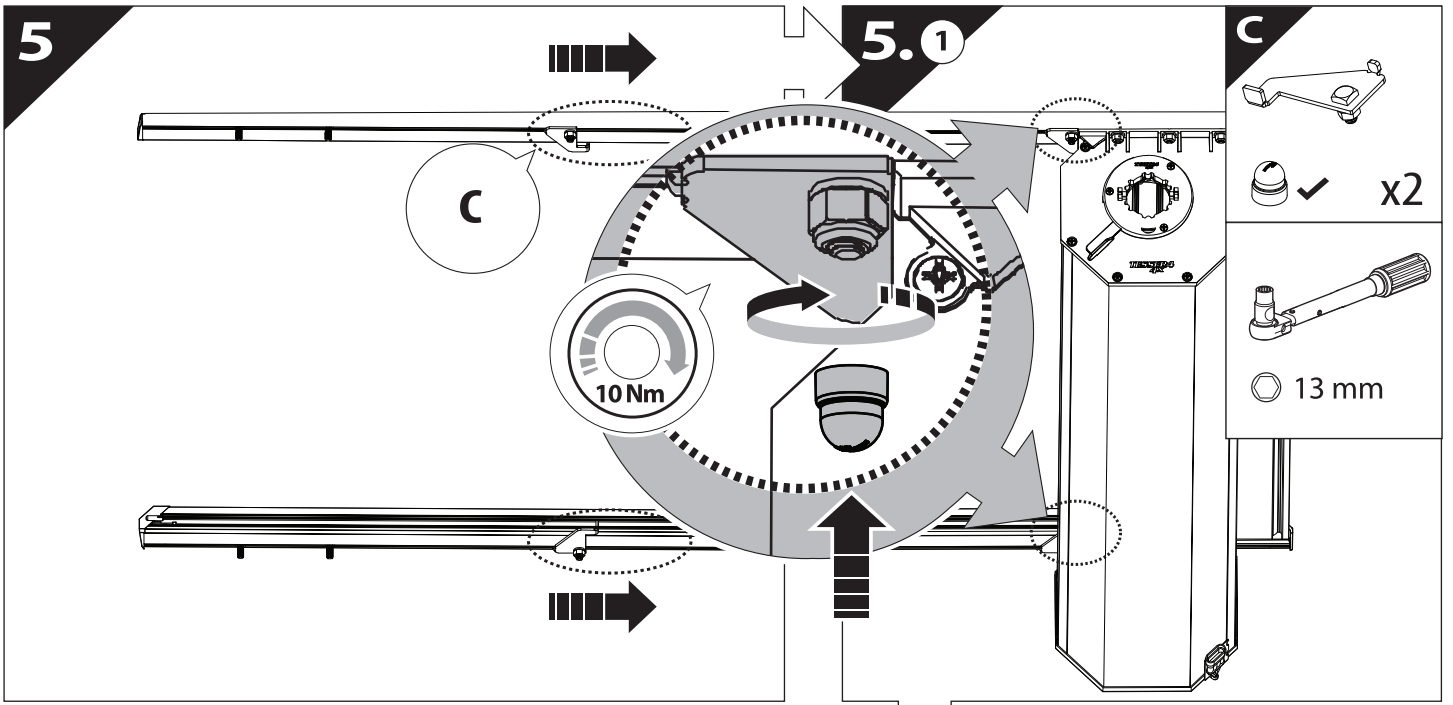


3



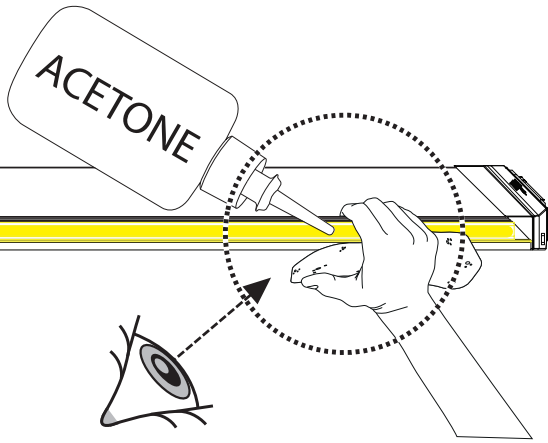
4





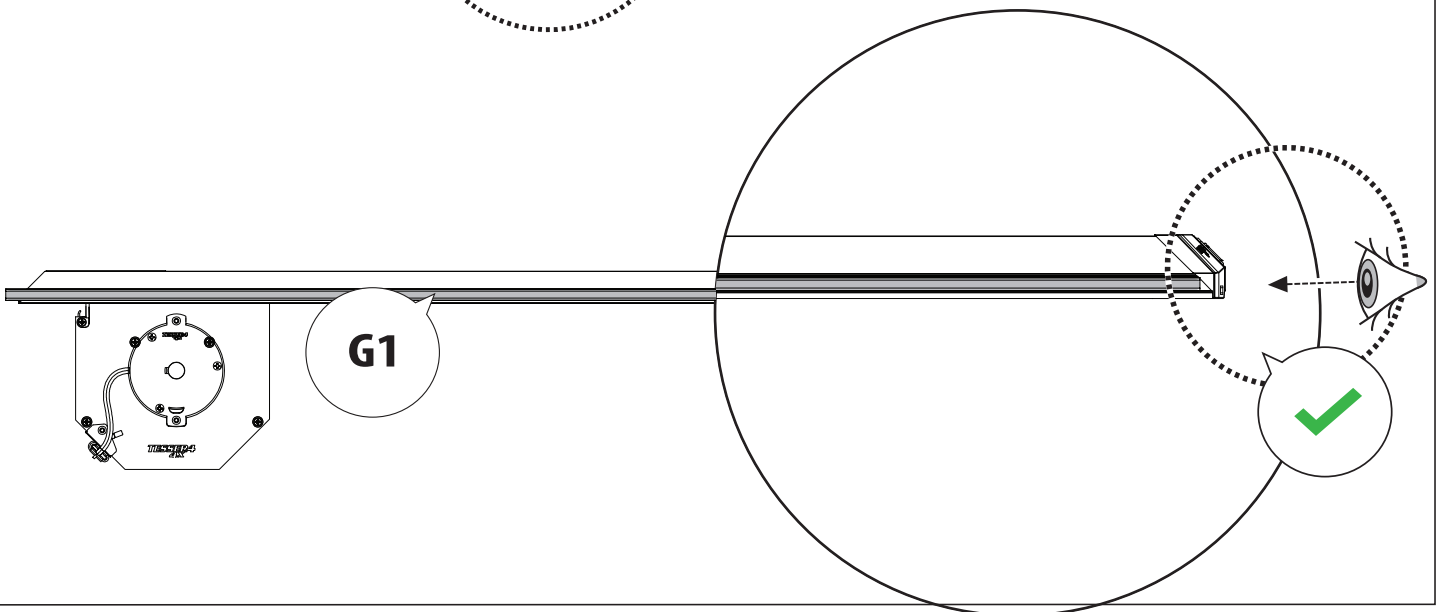
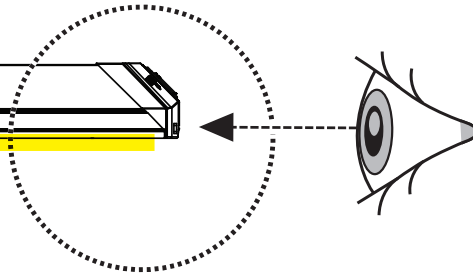
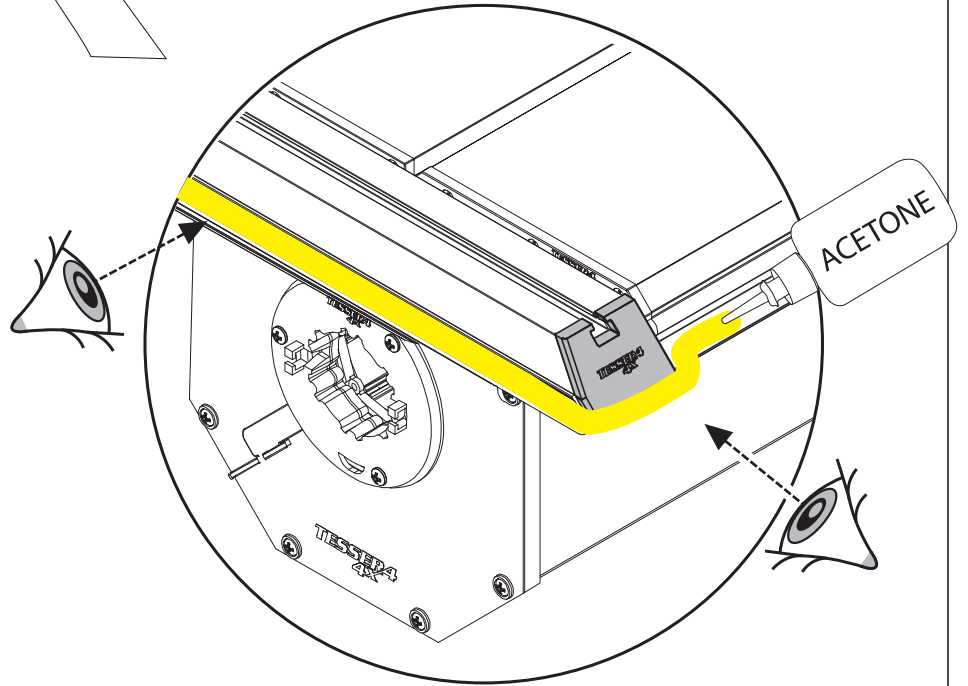


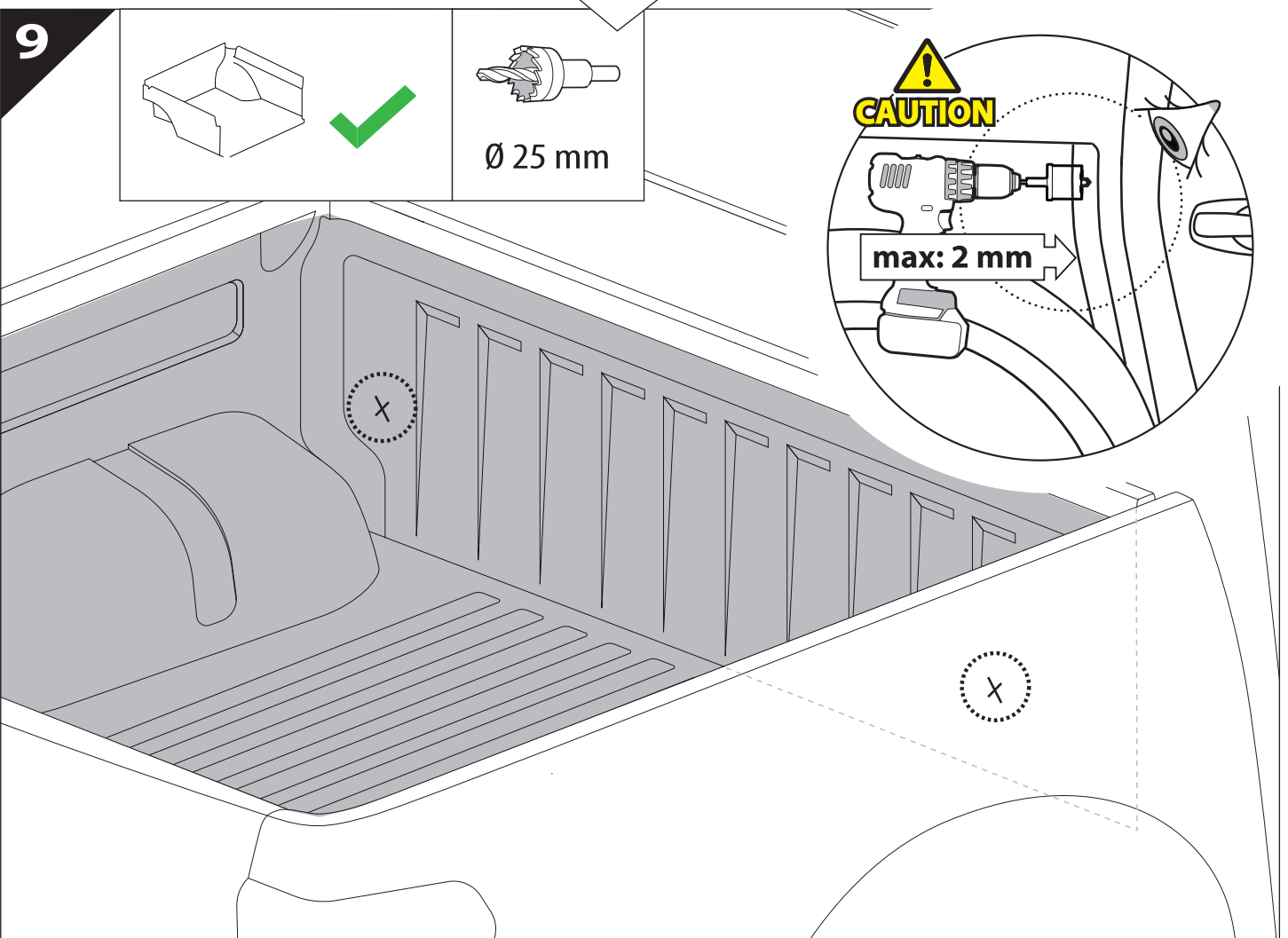
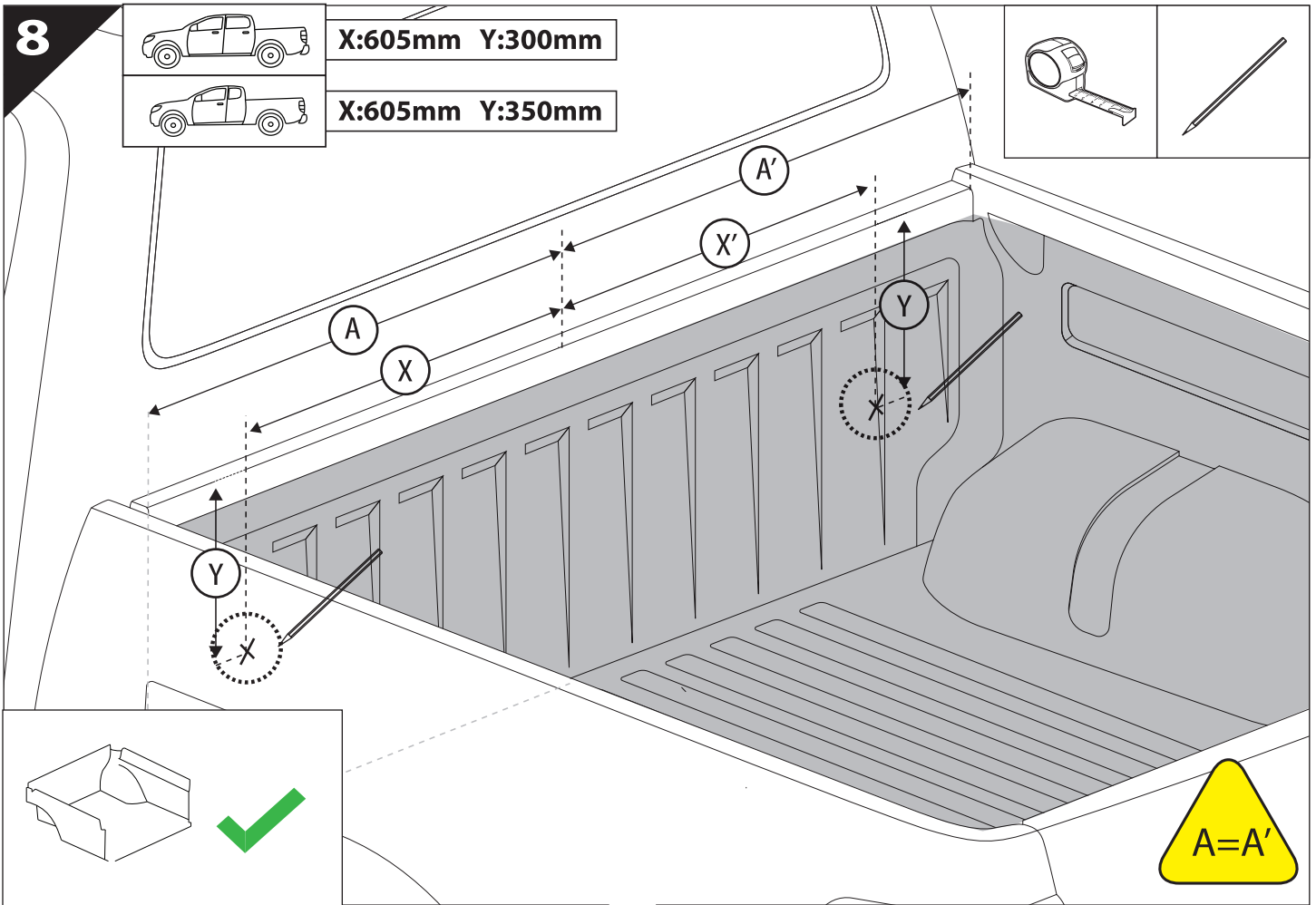
7



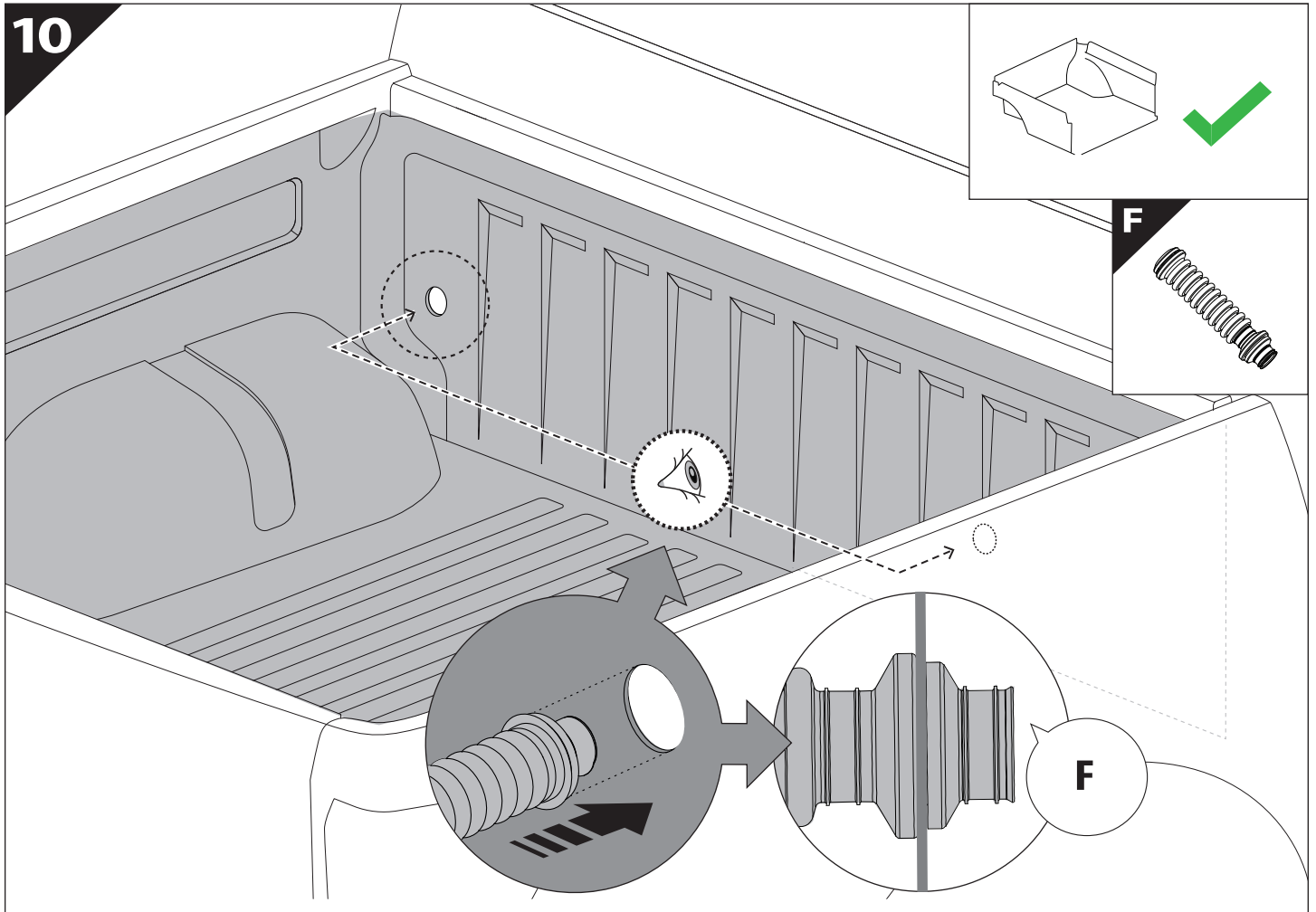
G1

x2





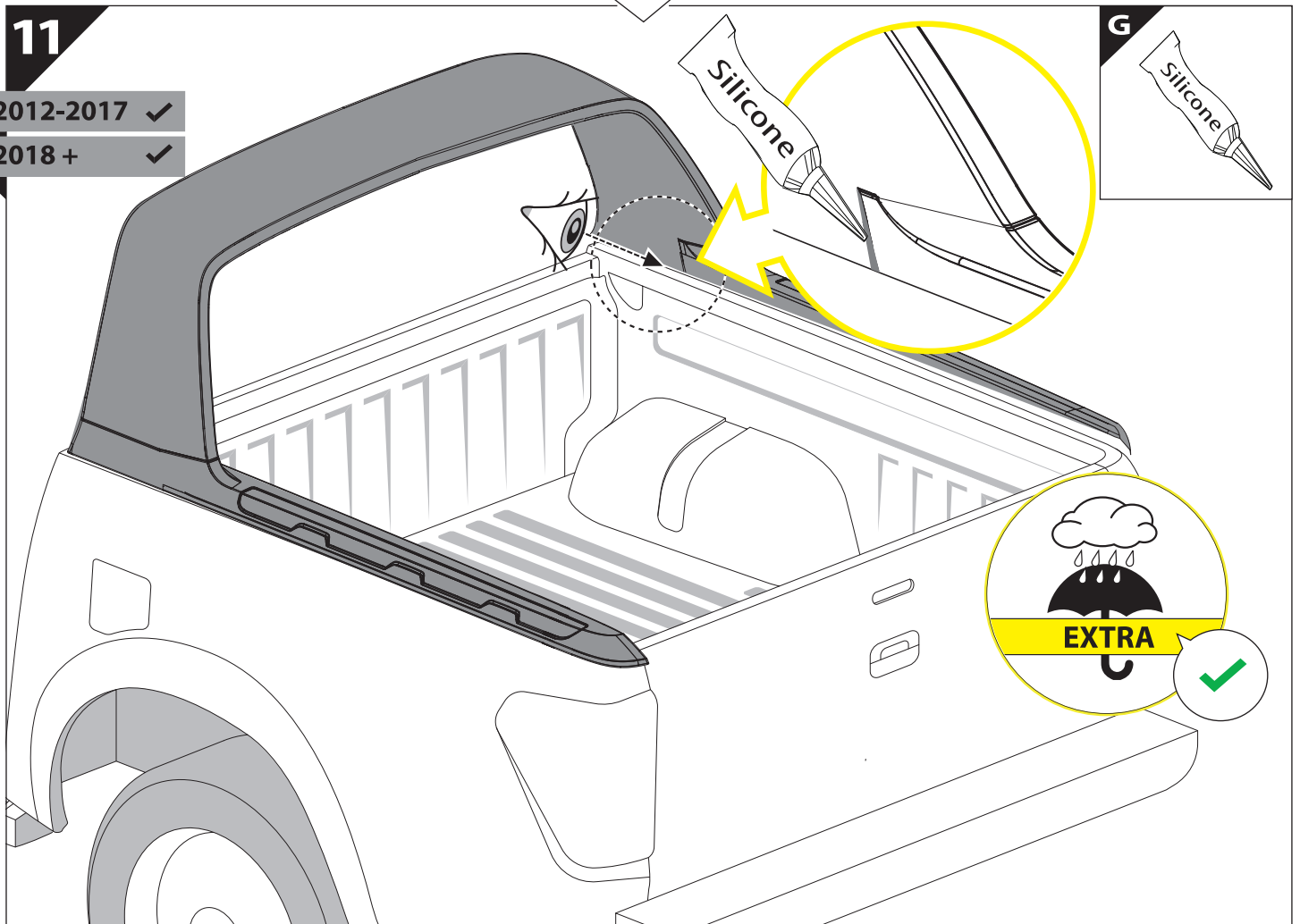
10



11

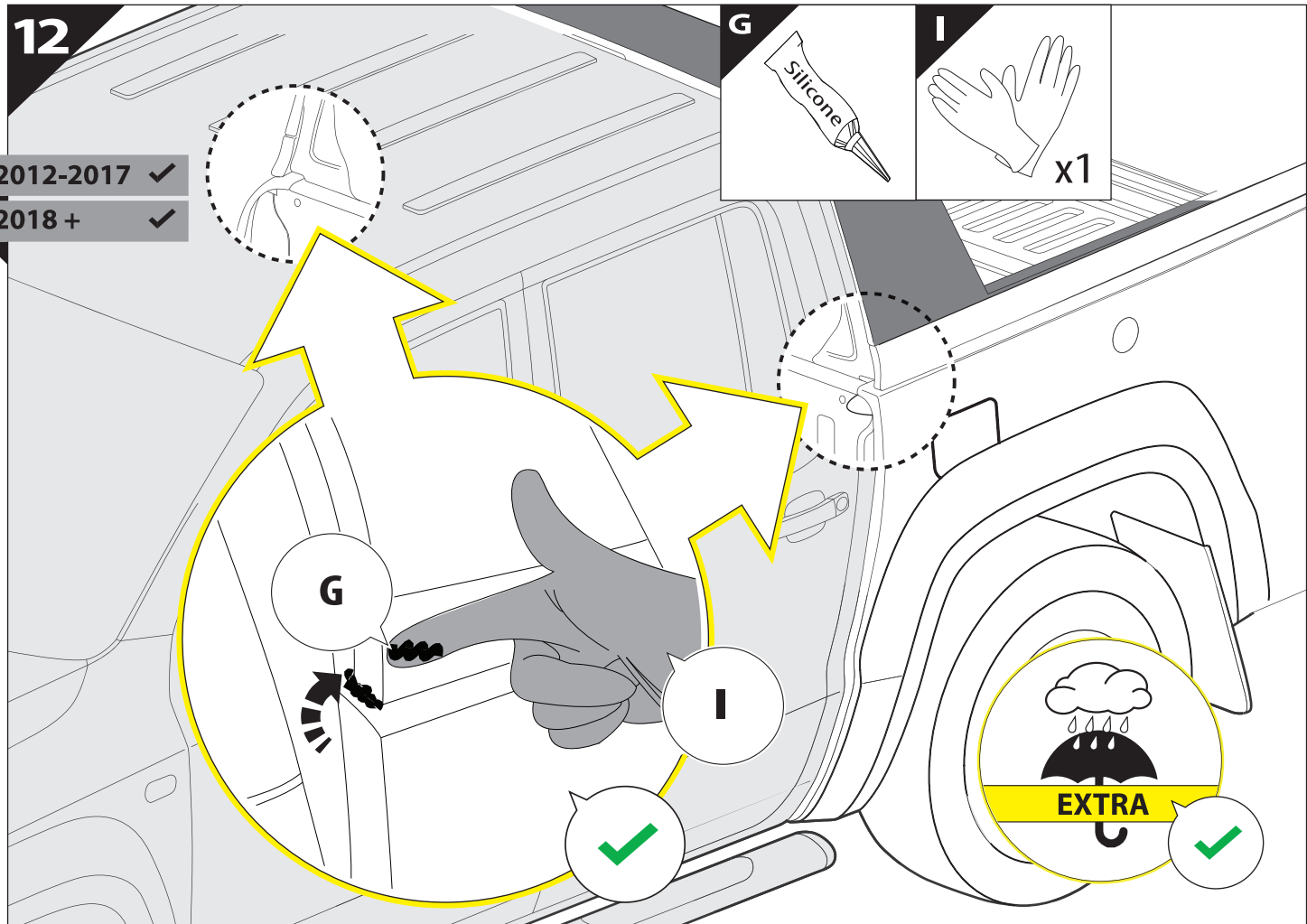
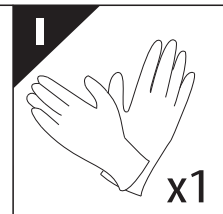
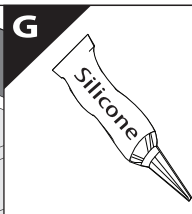
2012-2017 ✓

2018+ ✓



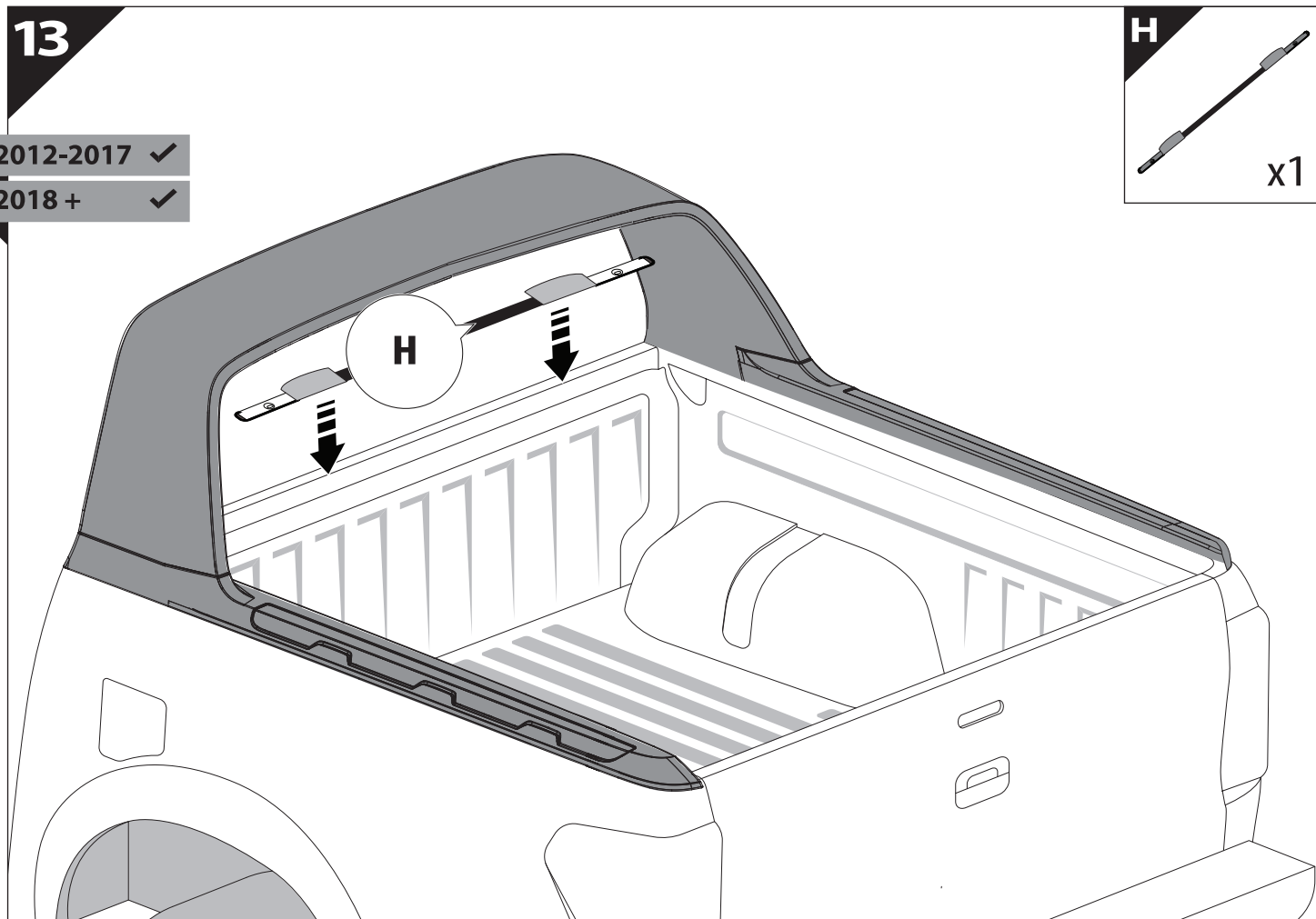
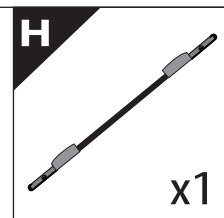
12

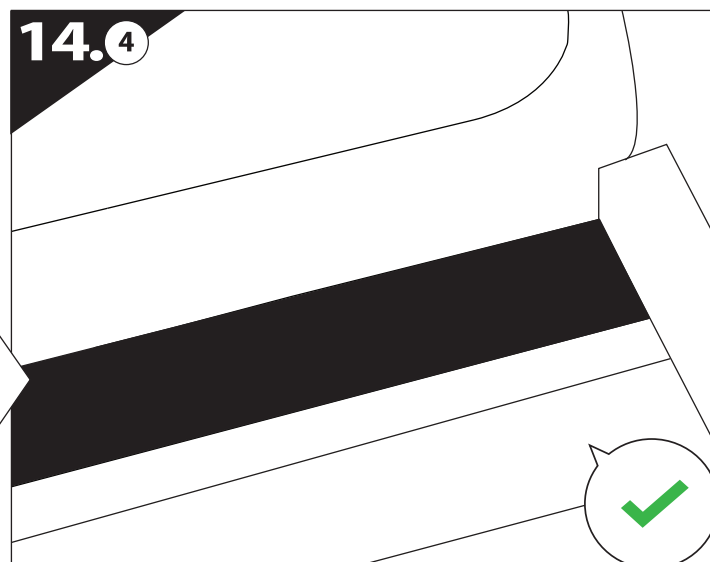
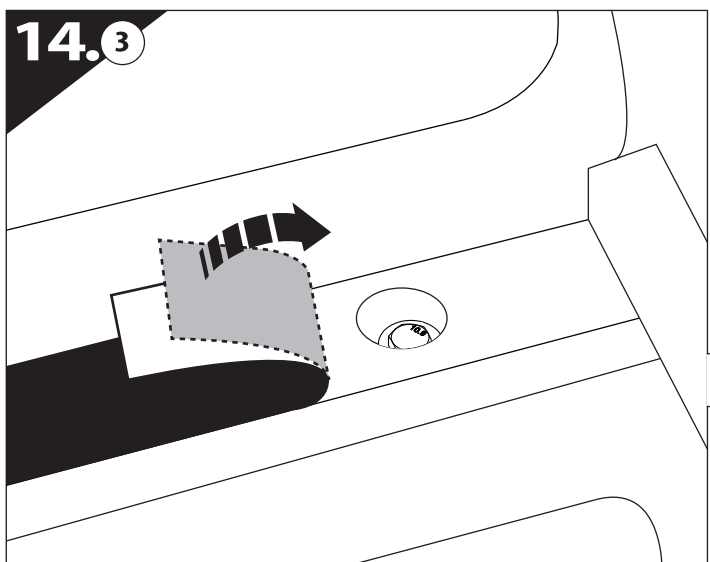
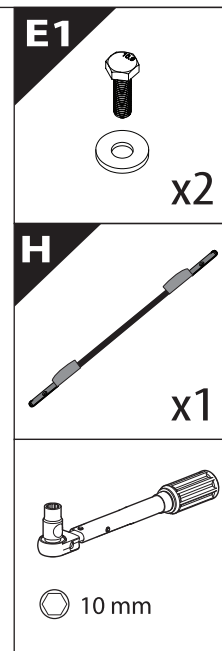
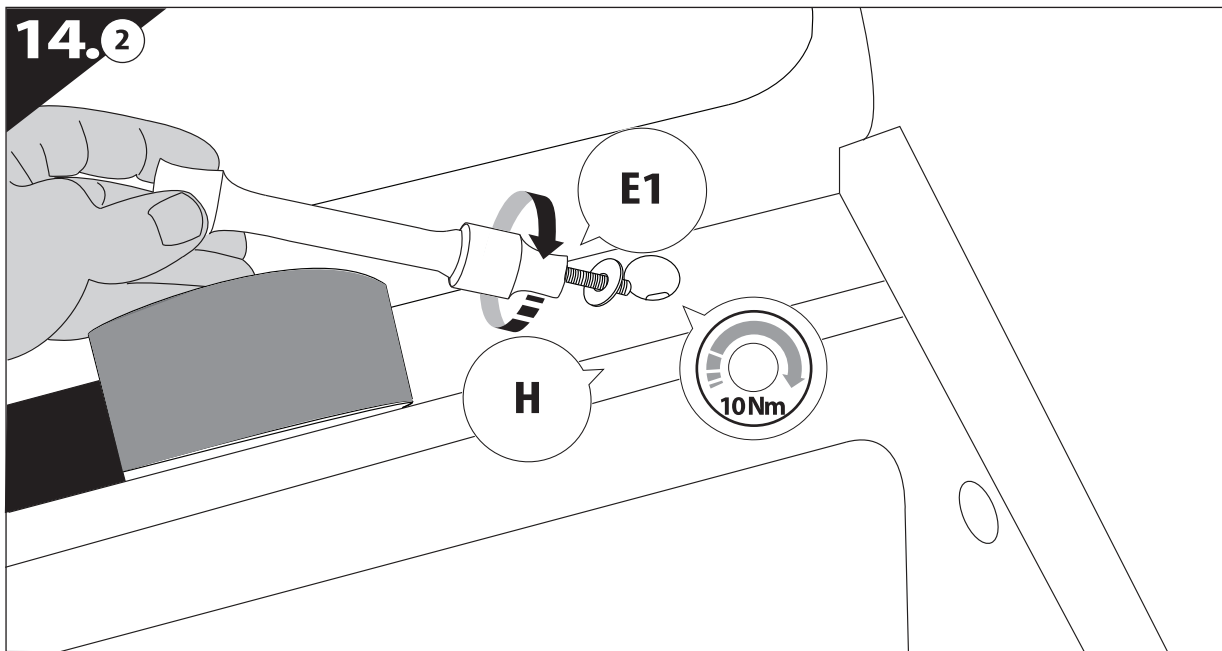
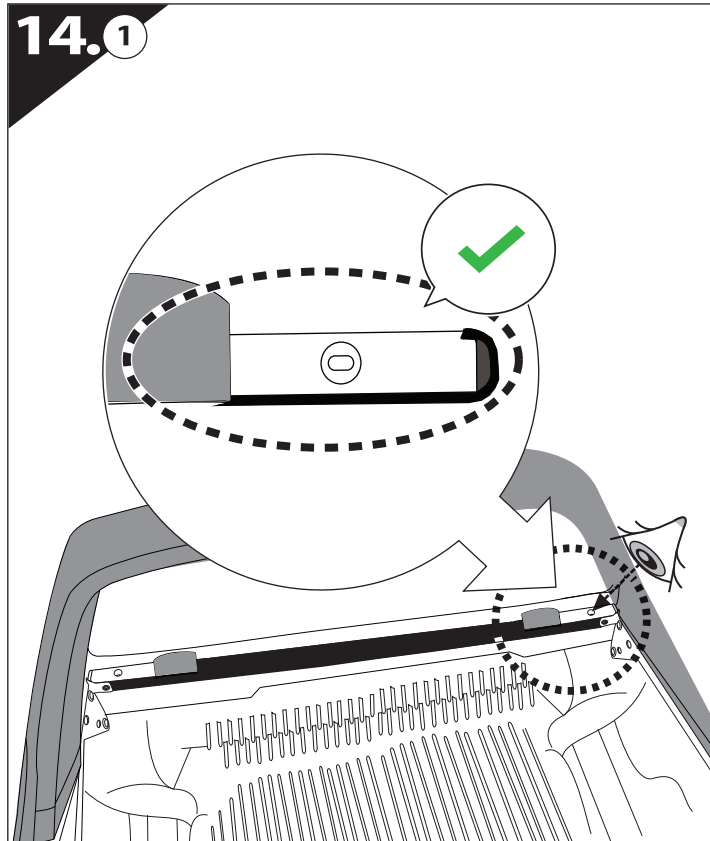
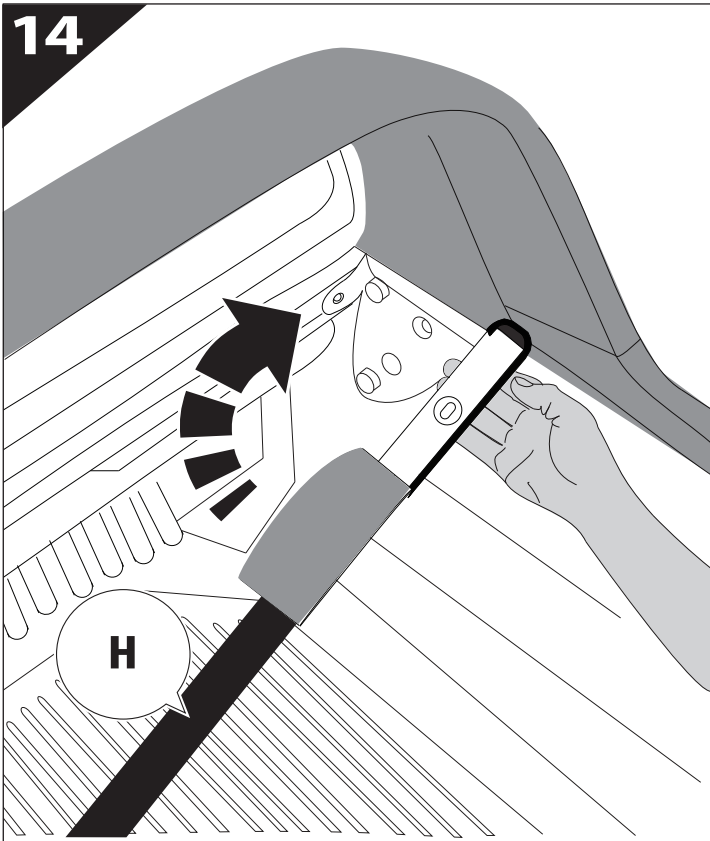
2012-2017 ✓  
2018+ ✓



13

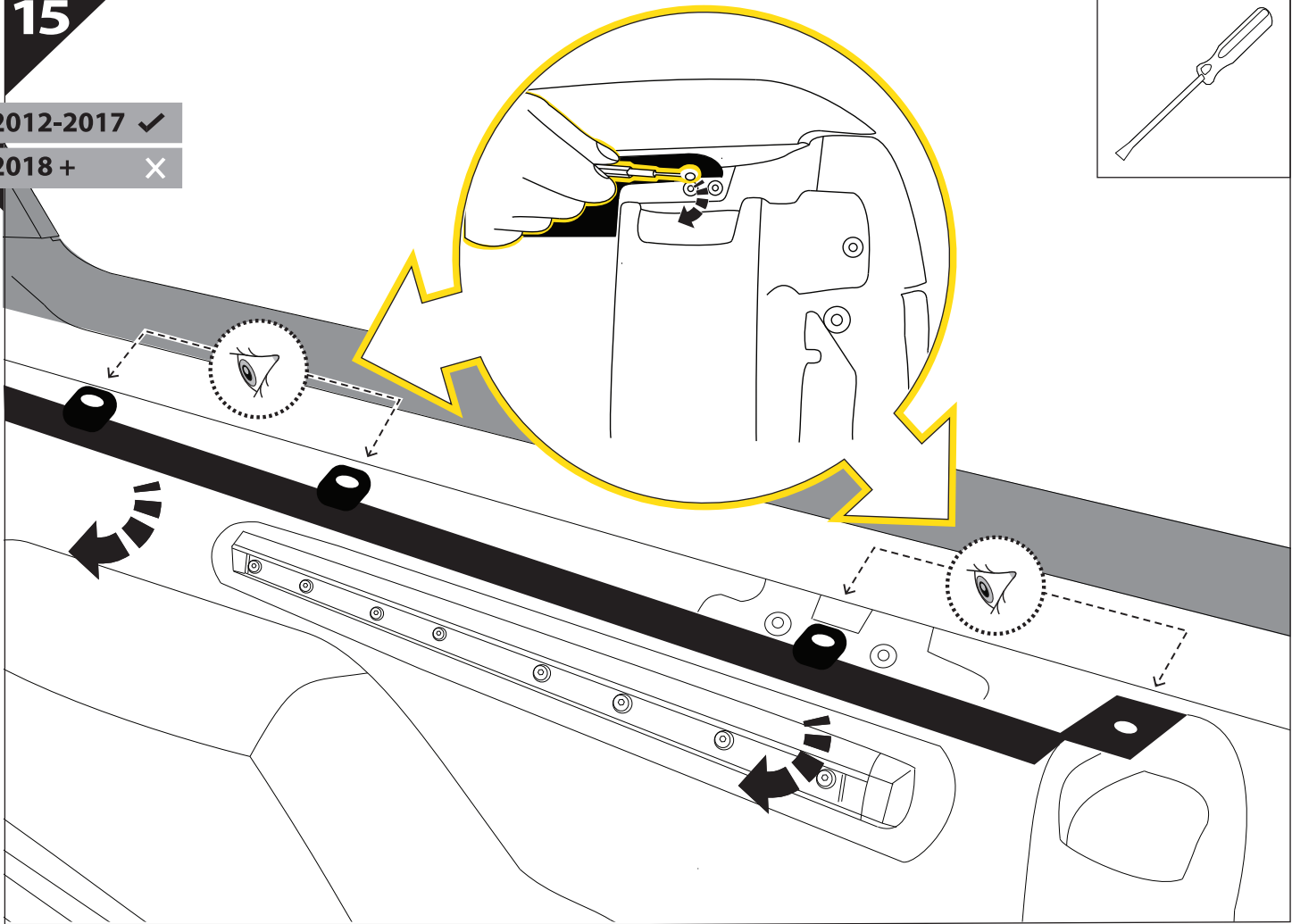
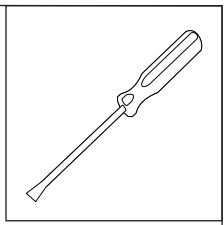
2012-2017 ✓  
2018+ ✓





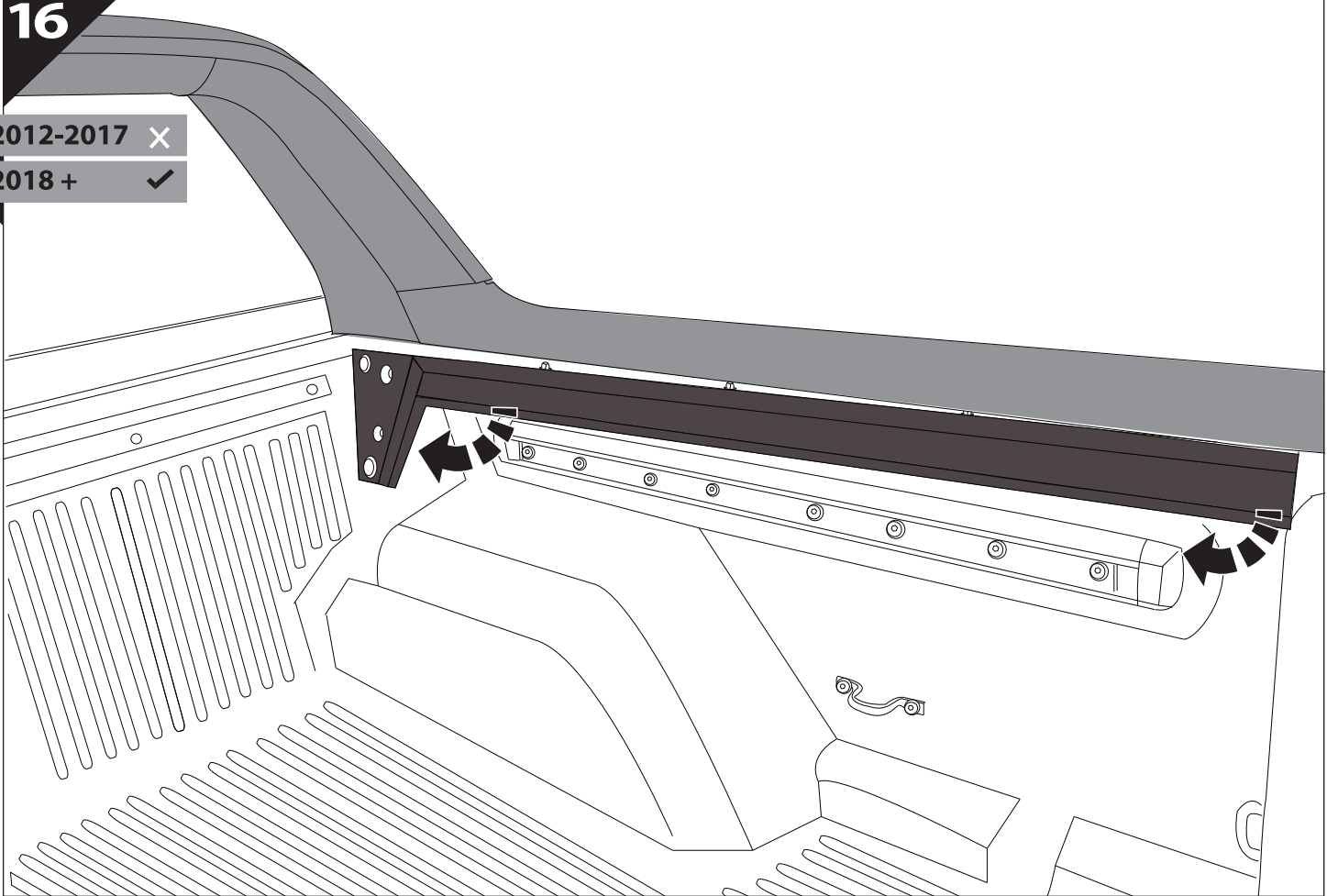
15

2012-2017 ✓  
2018+ ✗



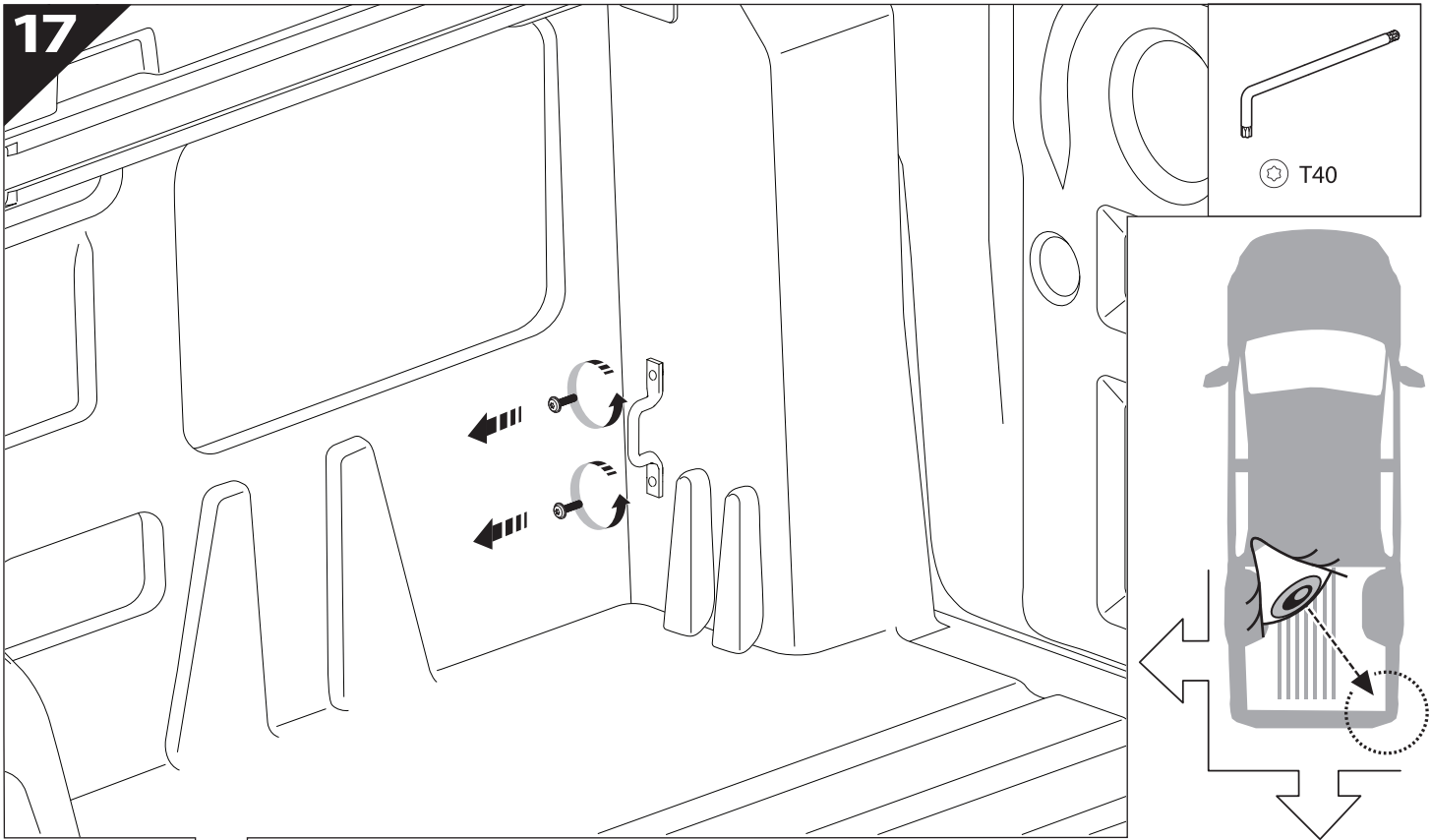
16

2012-2017 ✗  
2018+ ✓





17



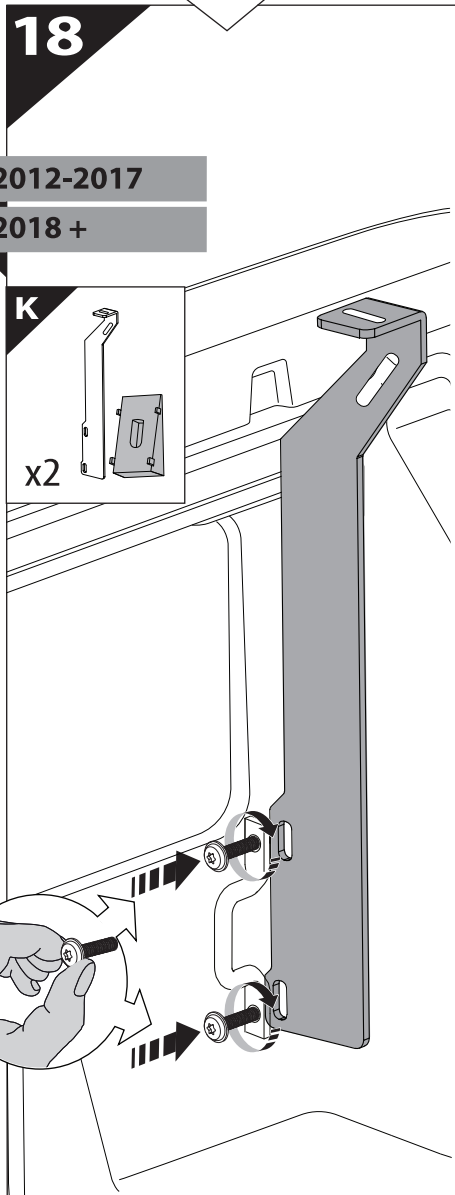
18

2012-2017

2018 +

K

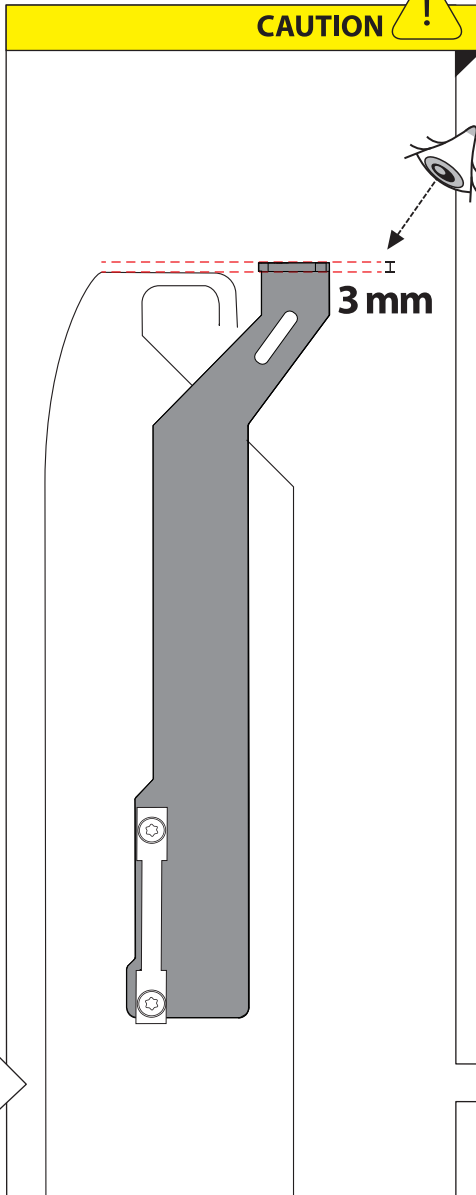
x2



CAUTION



3 mm

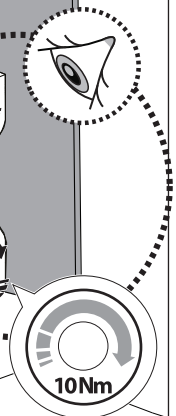


18.1



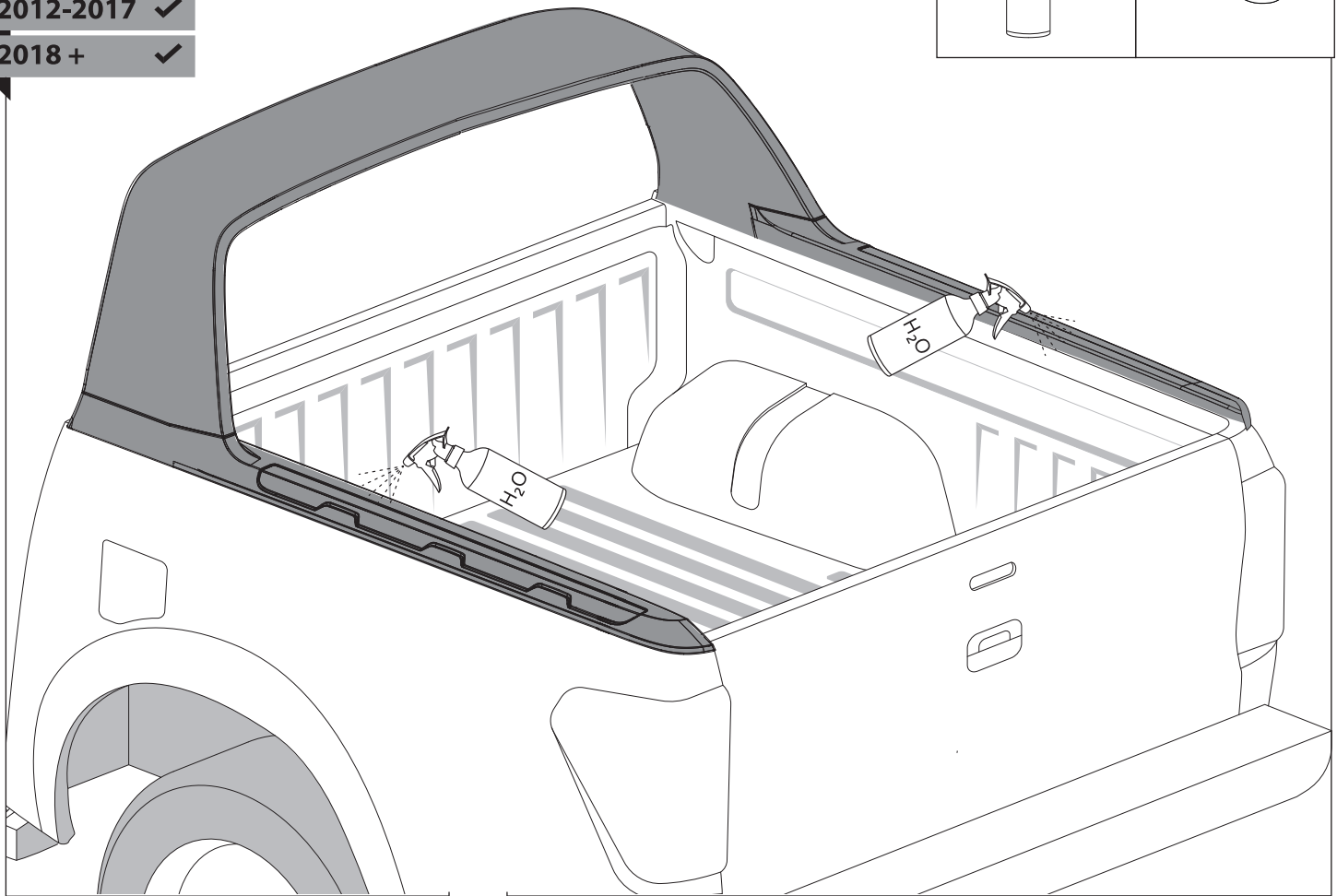
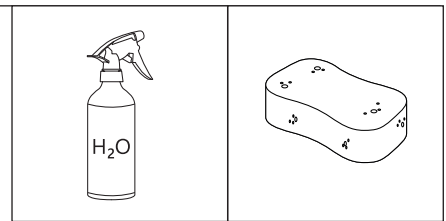
T40

1

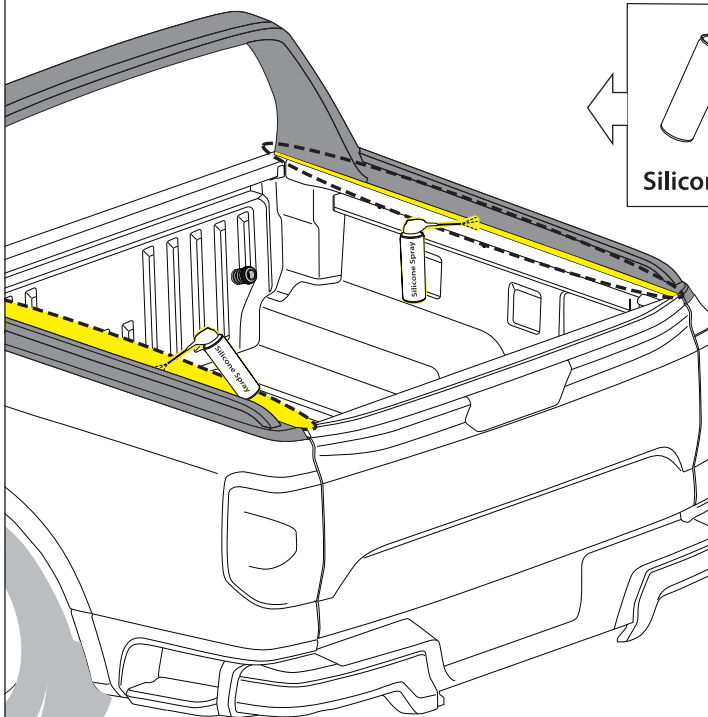


# 19

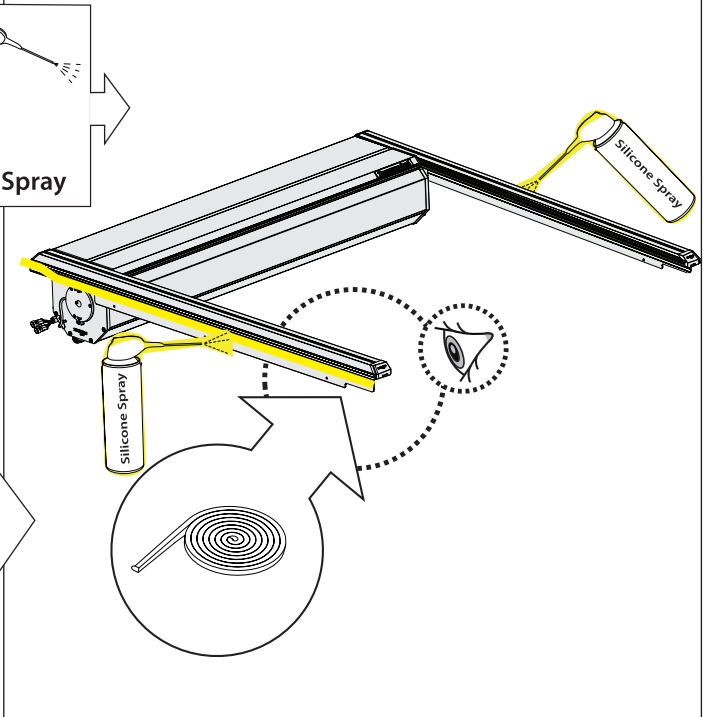
2012-2017 ✓  
2018+ ✓



## 19.1

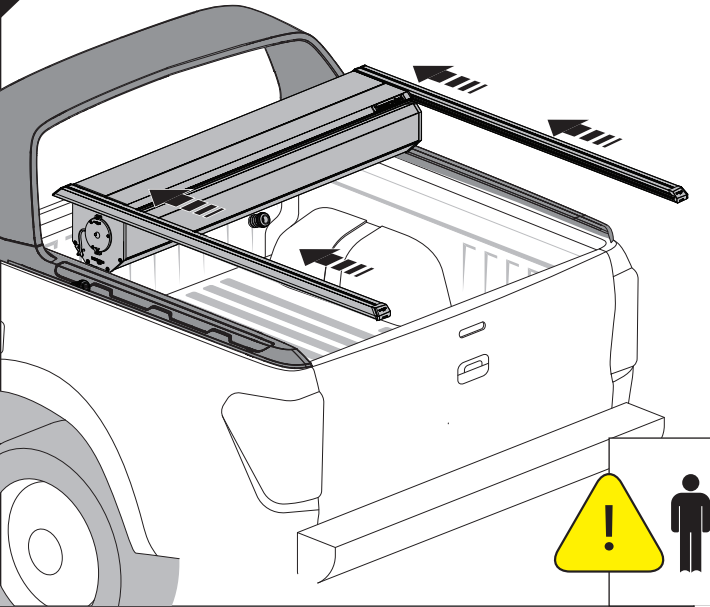


## 19.2

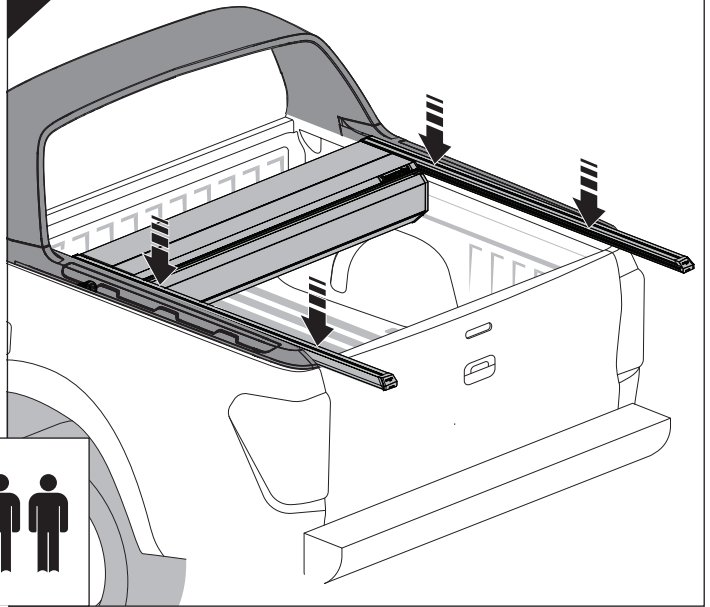




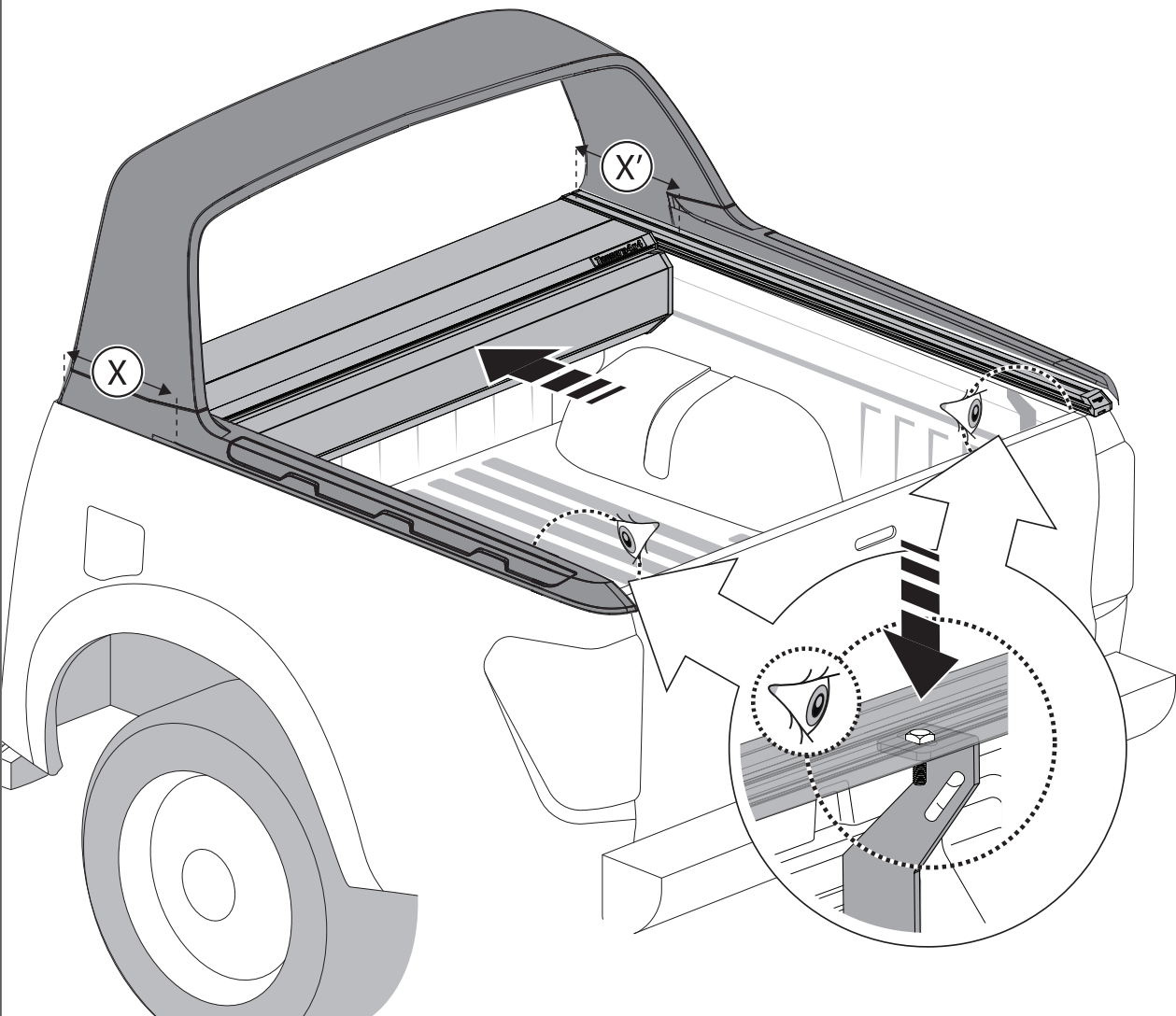
20



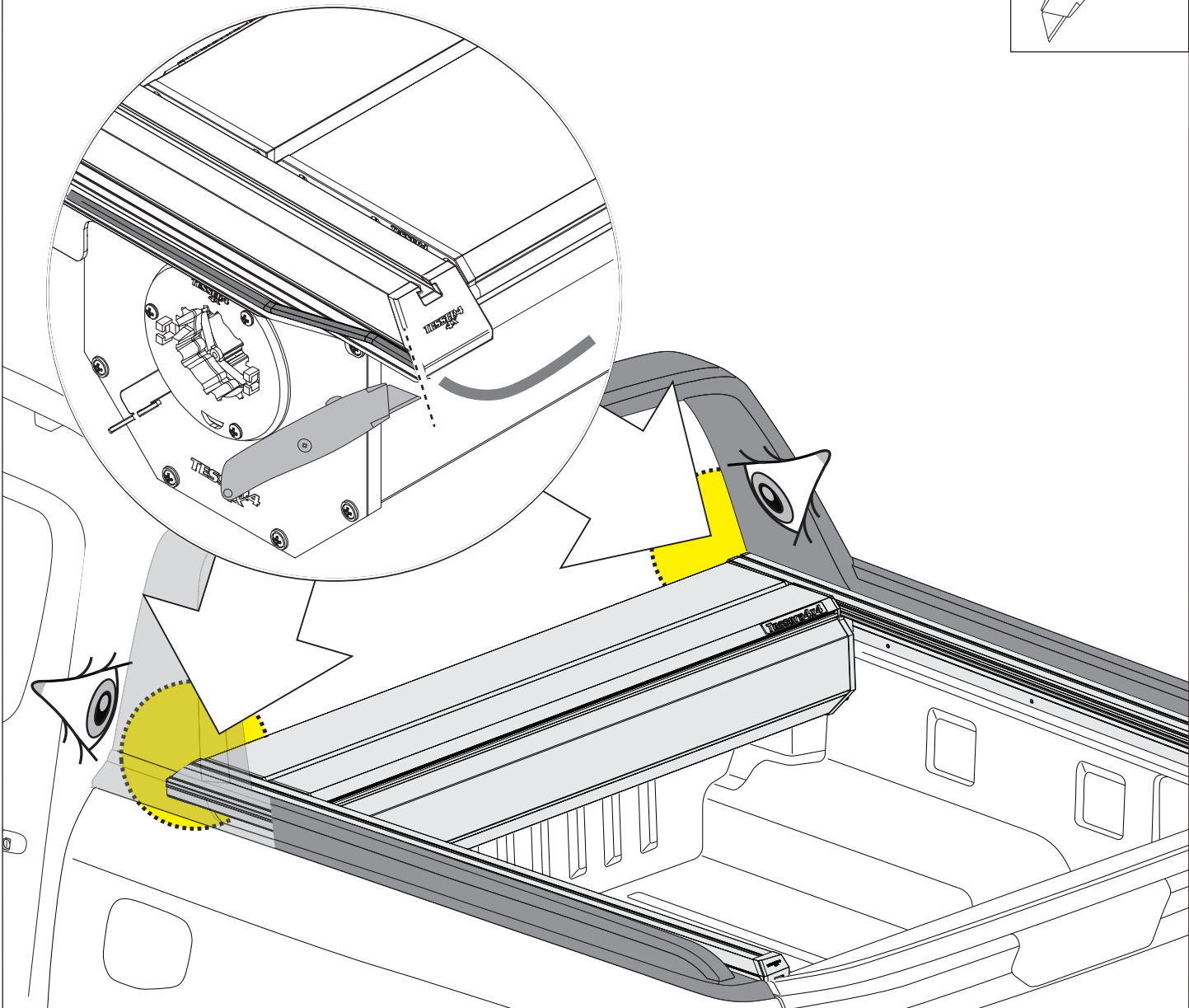
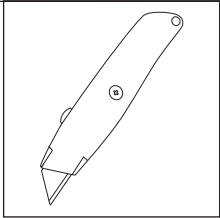
20.1



21

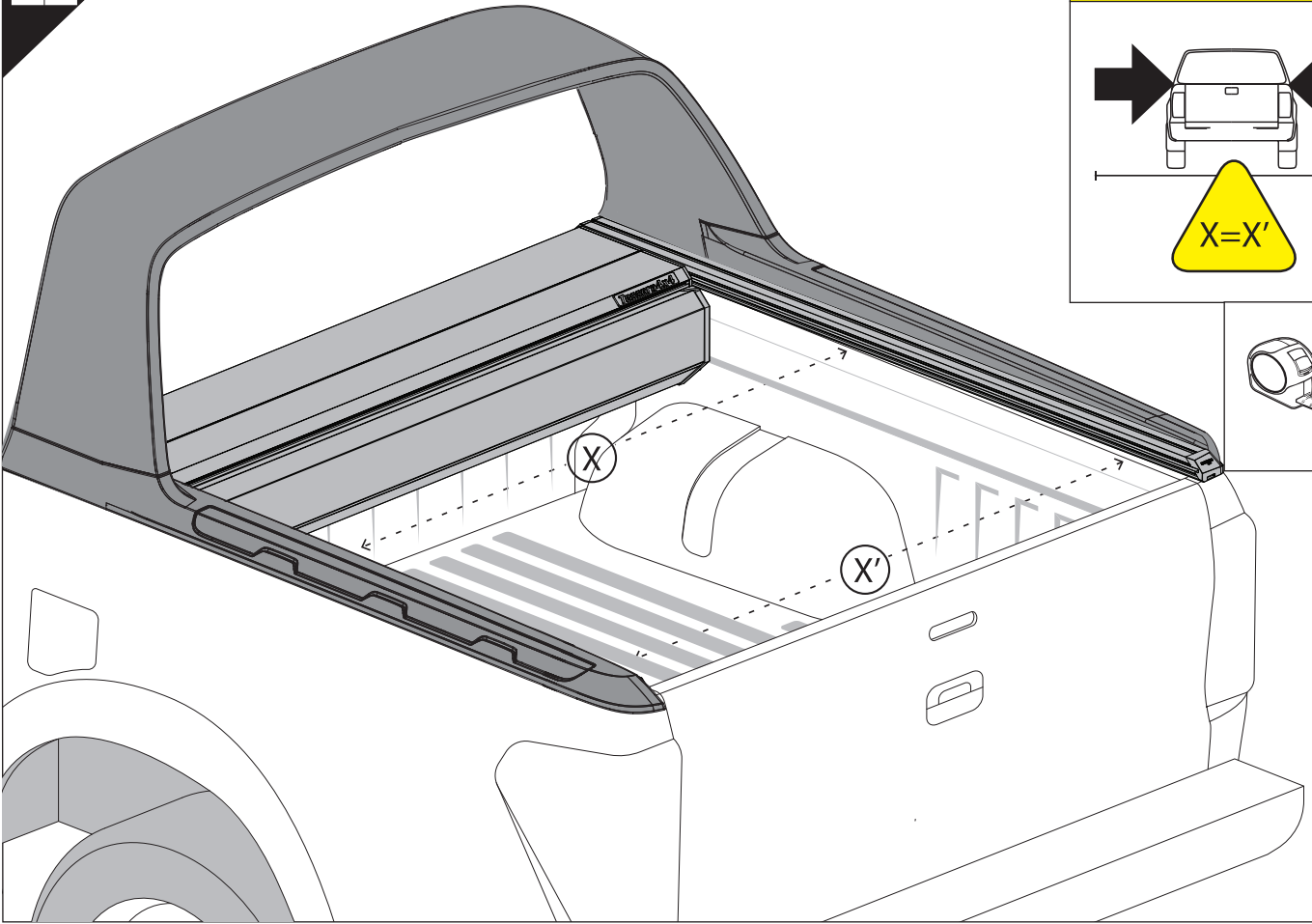
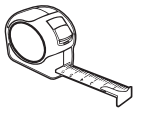
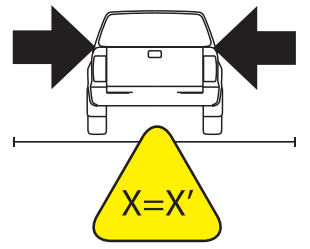


21.0



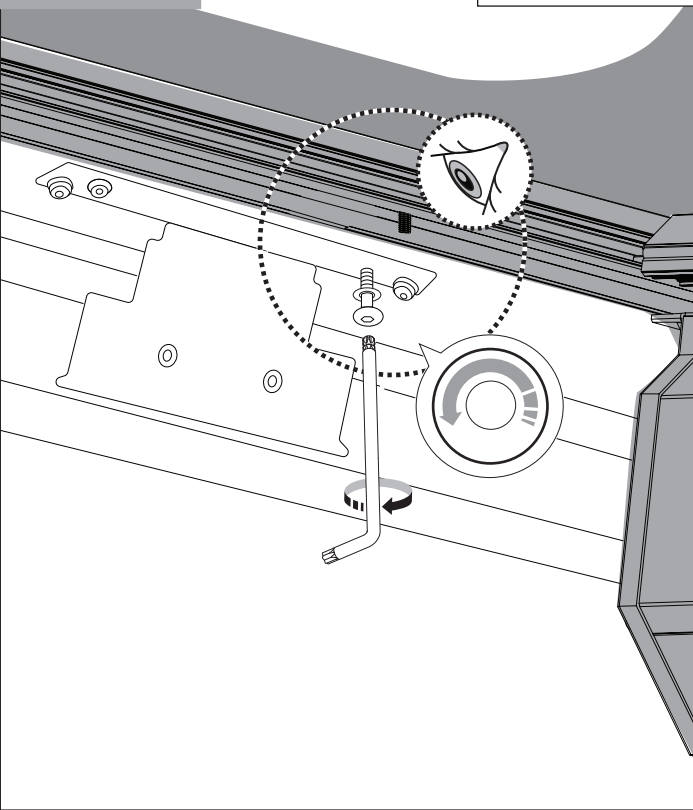
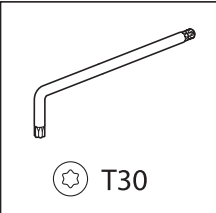
22

CAUTION !



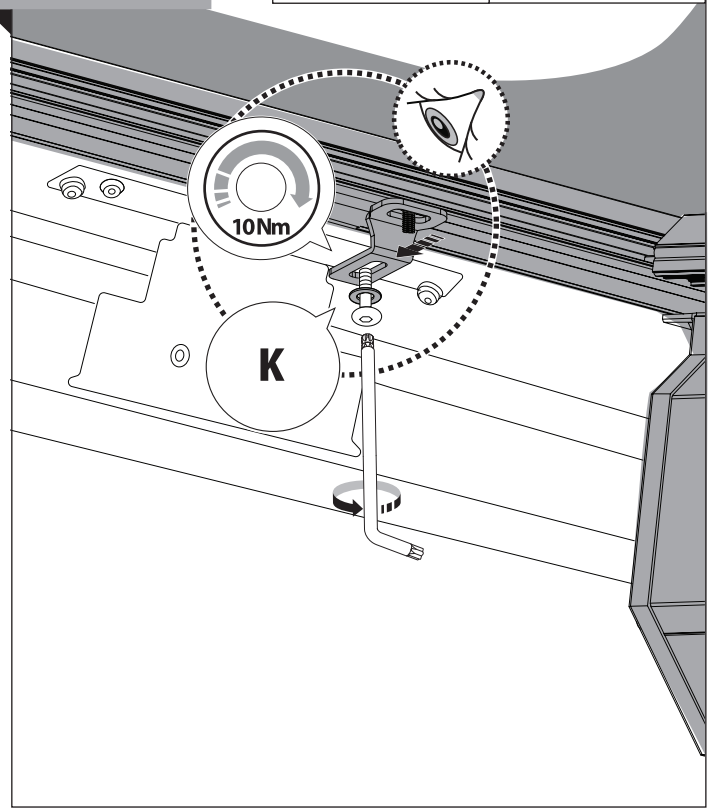
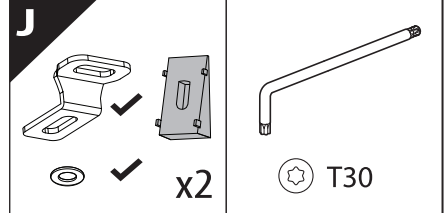
23

- 2012-2017 ✓
- 2018+ ✓



24

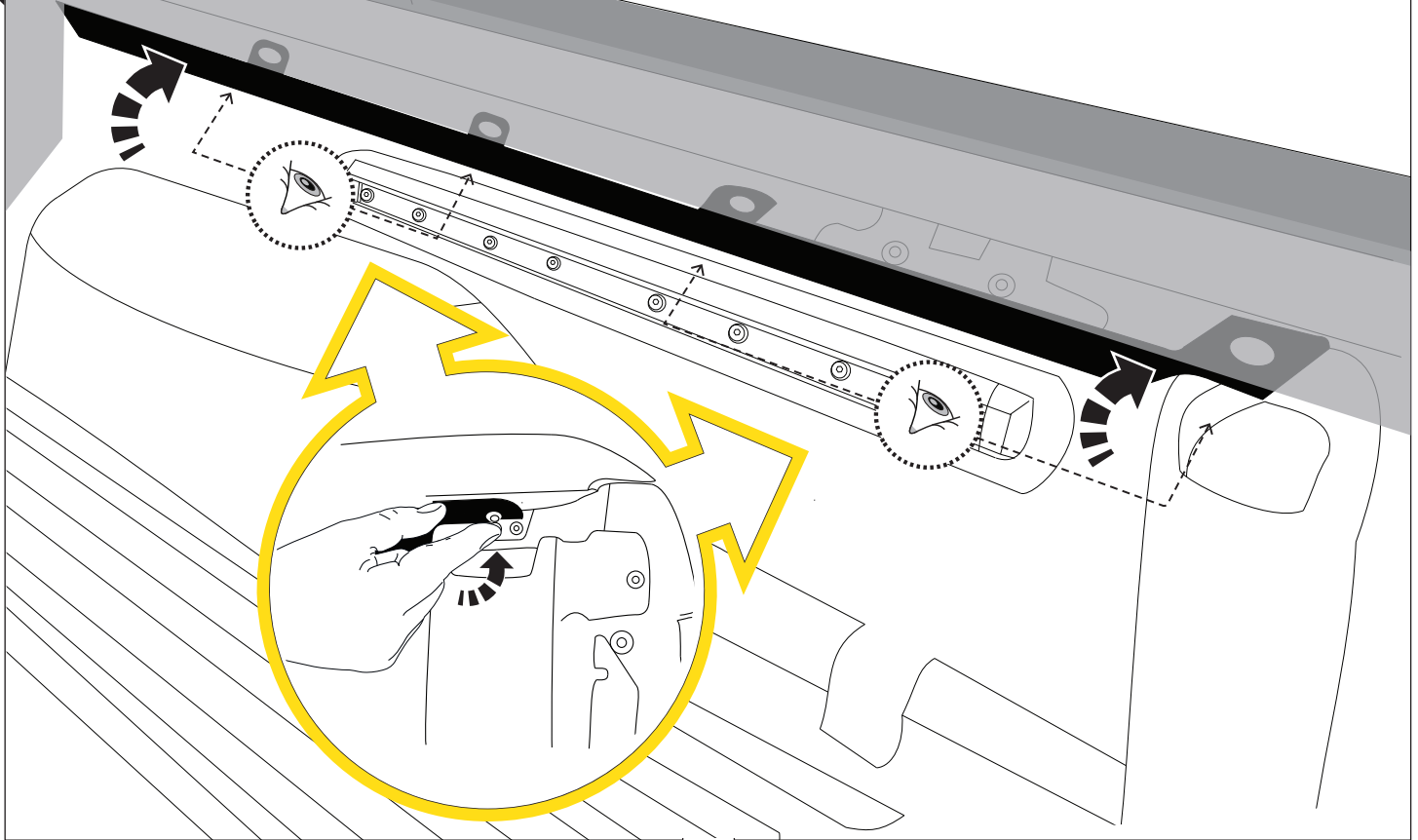
- 2012-2017 ✓
- 2018+ ✓



25

2012-2017 ✓

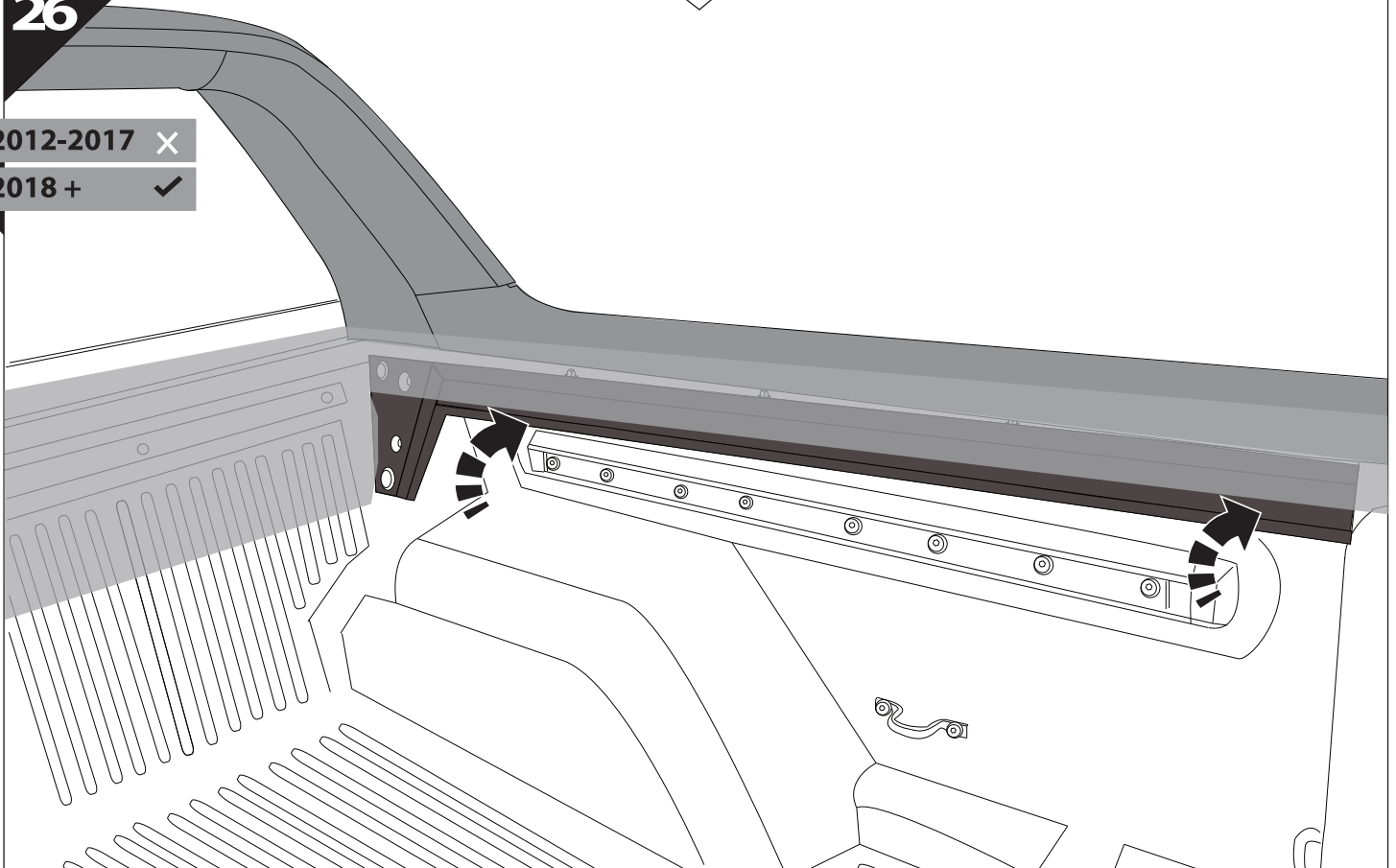
2018+ ✗



26

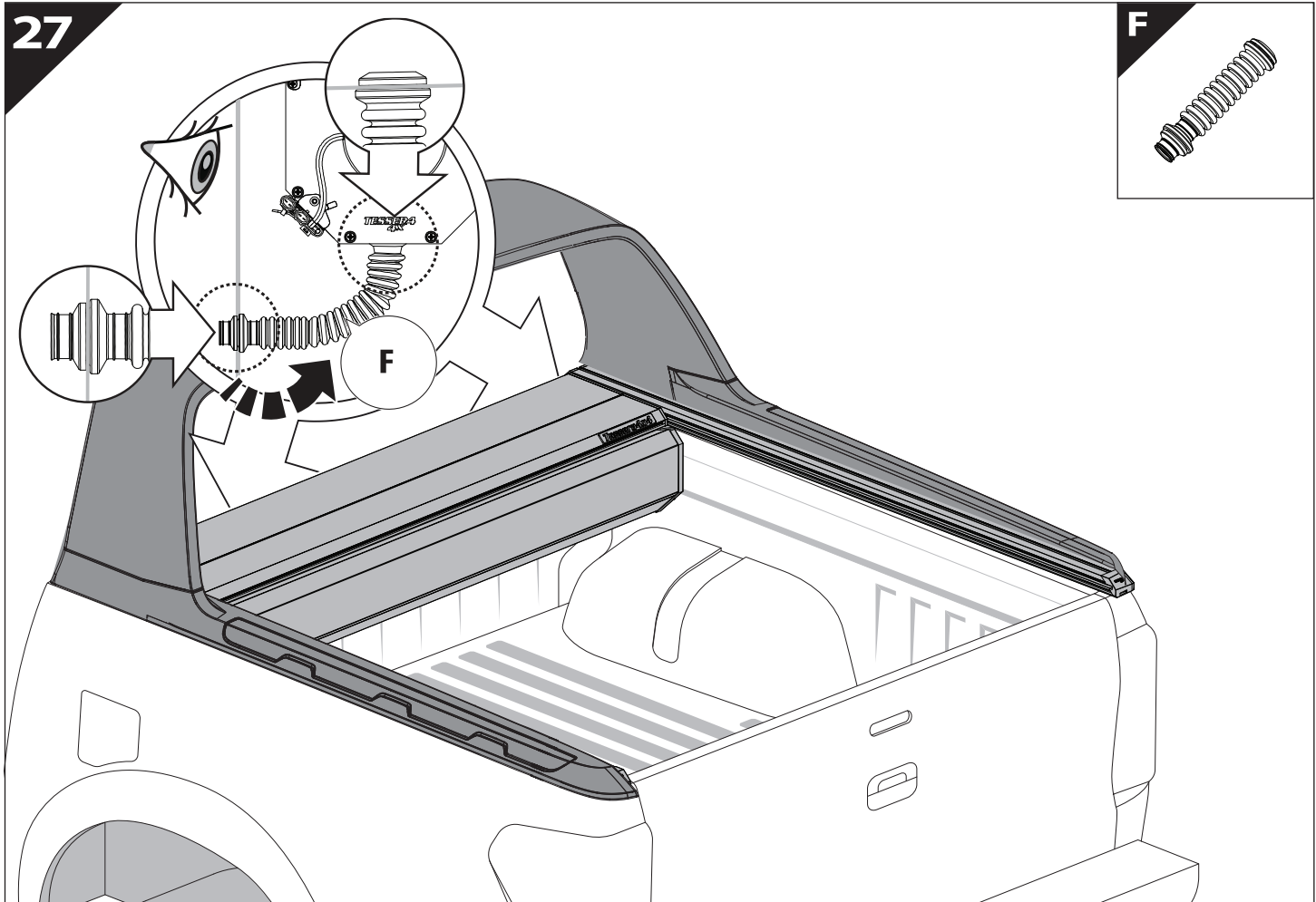
2012-2017 ✗

2018+ ✓



27

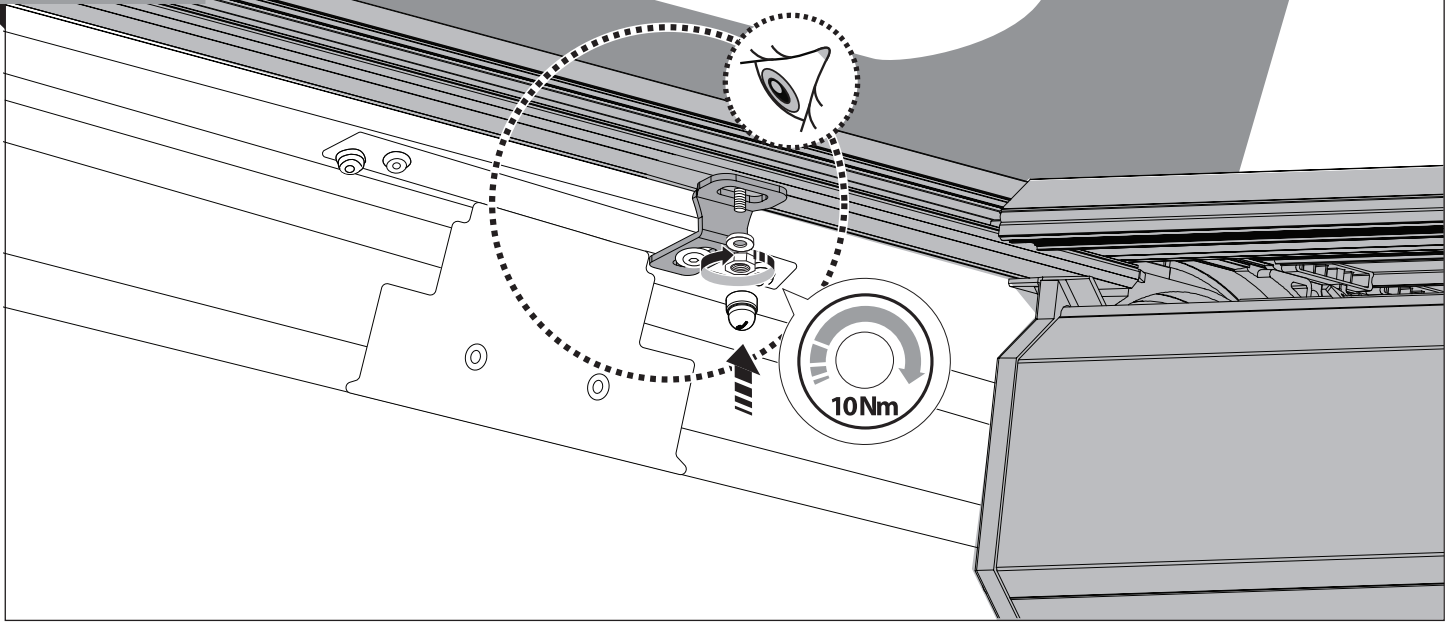
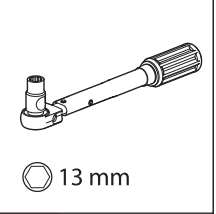
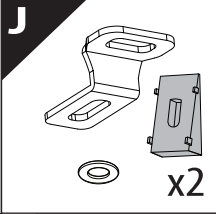
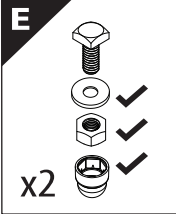
F



# 28

2012-2017 ✓

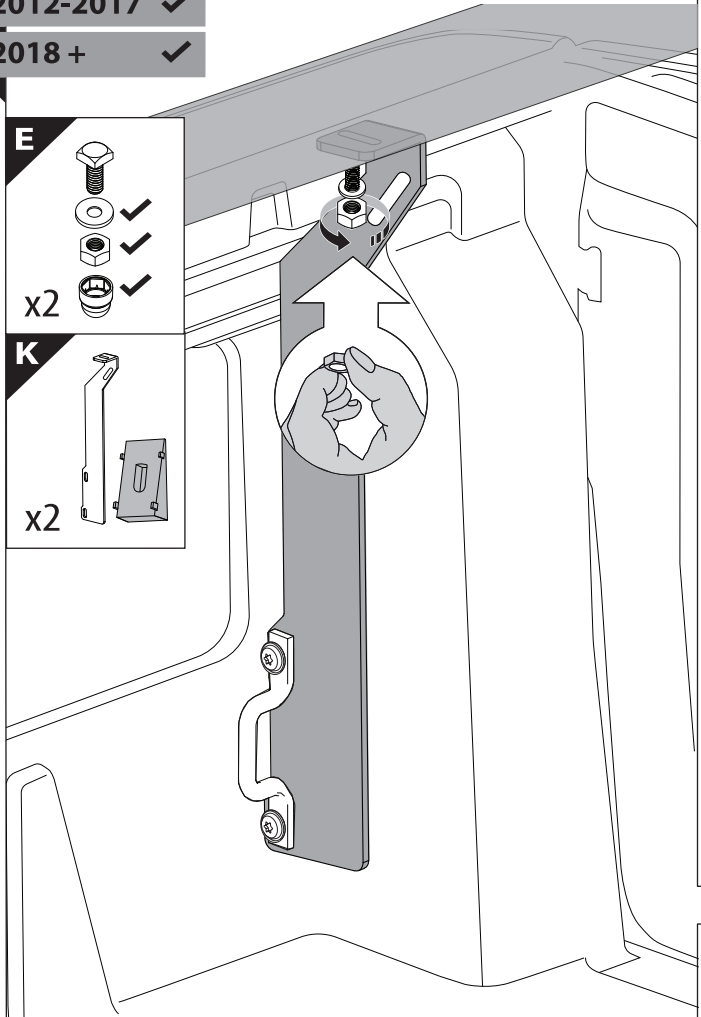
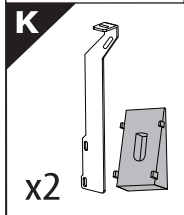
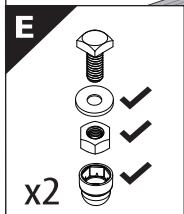
2018+ ✓



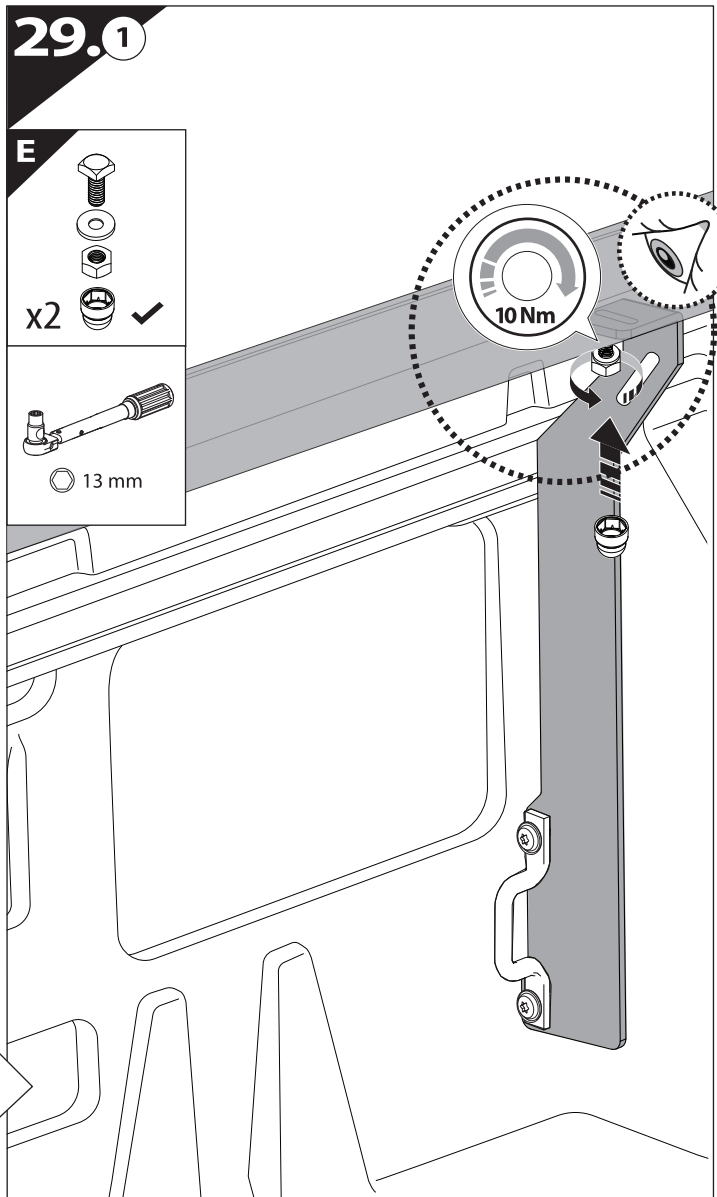
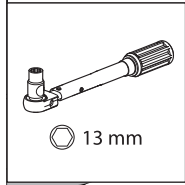
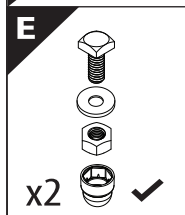
# 29

2012-2017 ✓

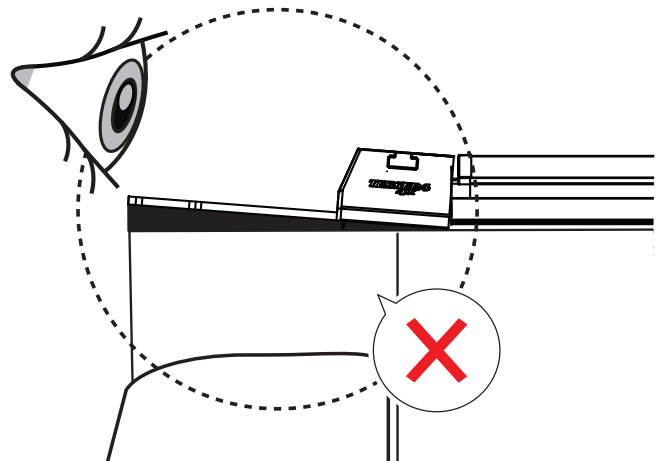
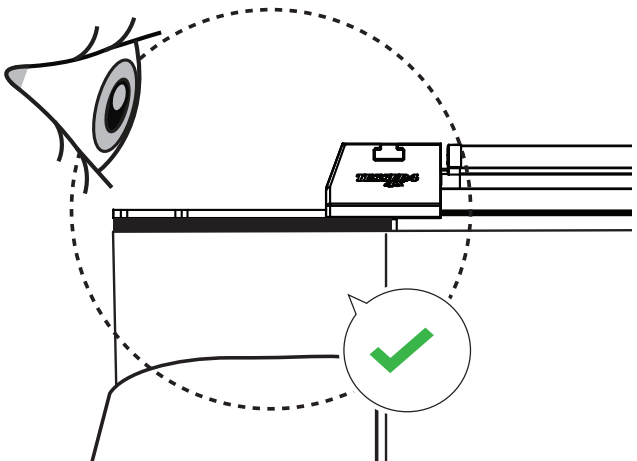
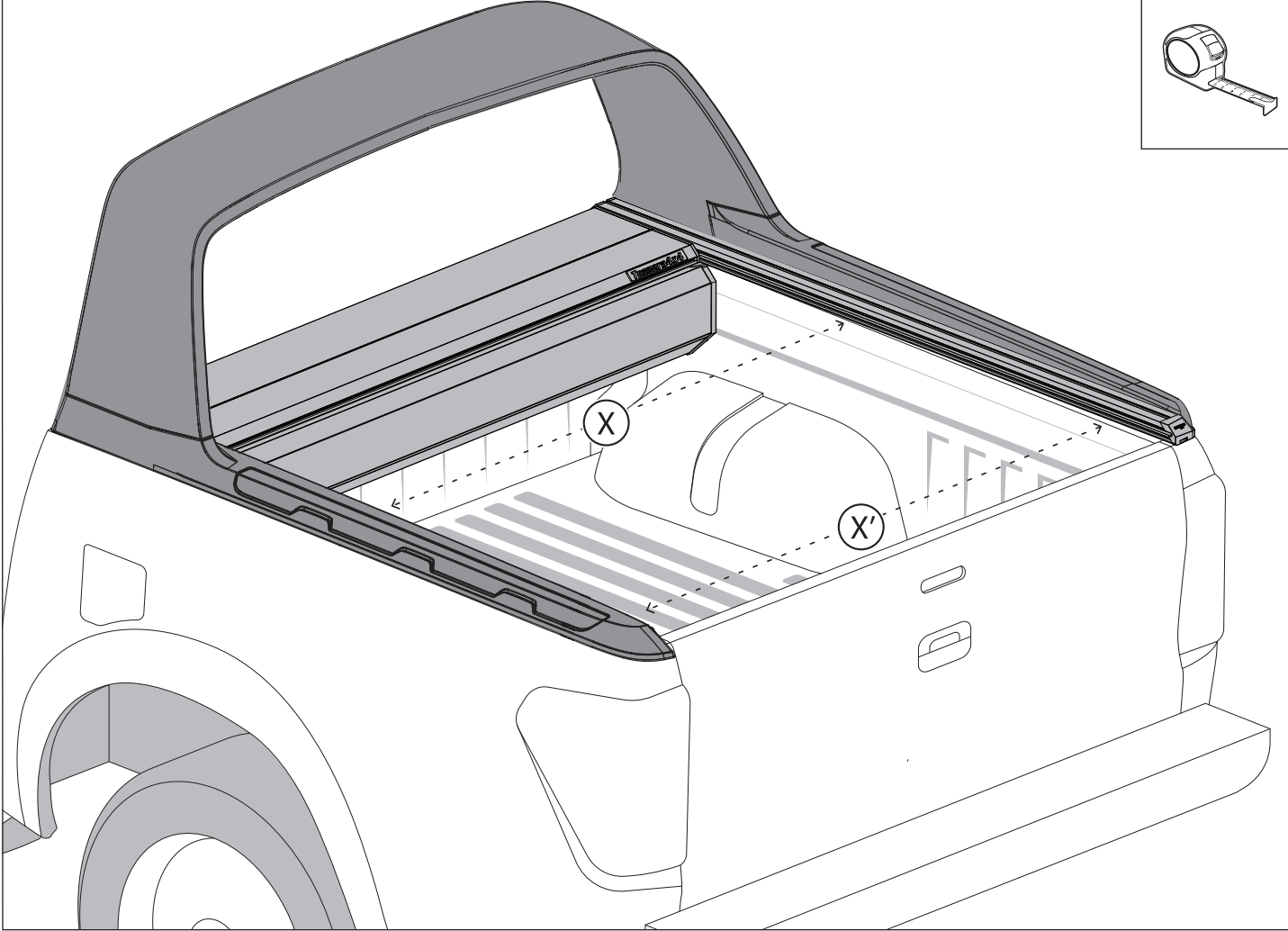
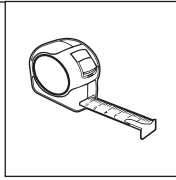
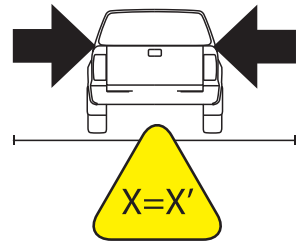
2018+ ✓



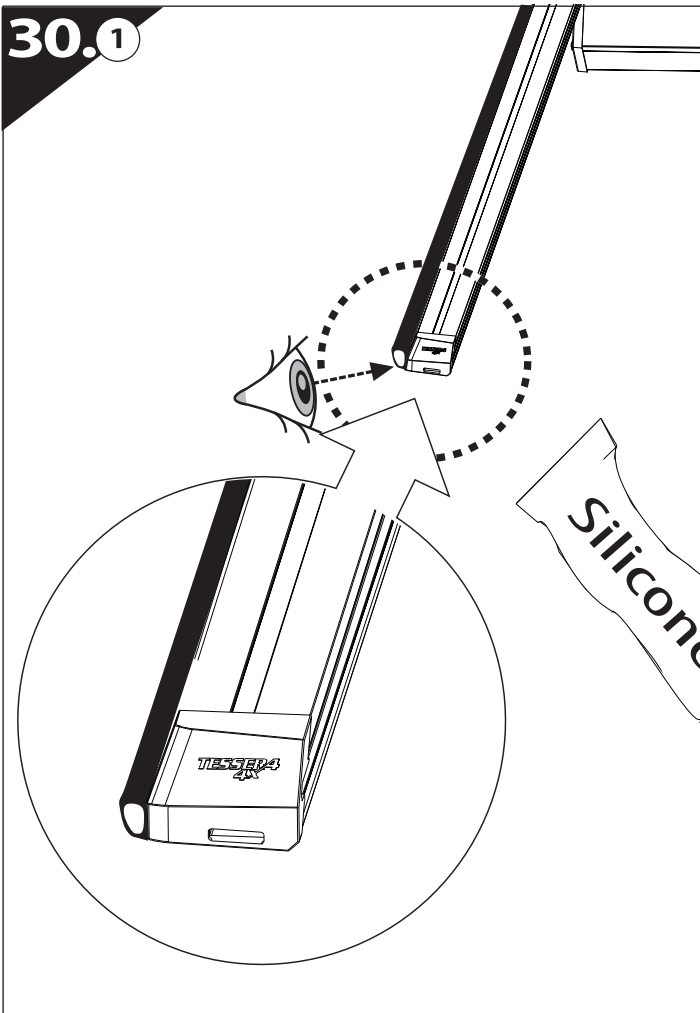
# 29.1



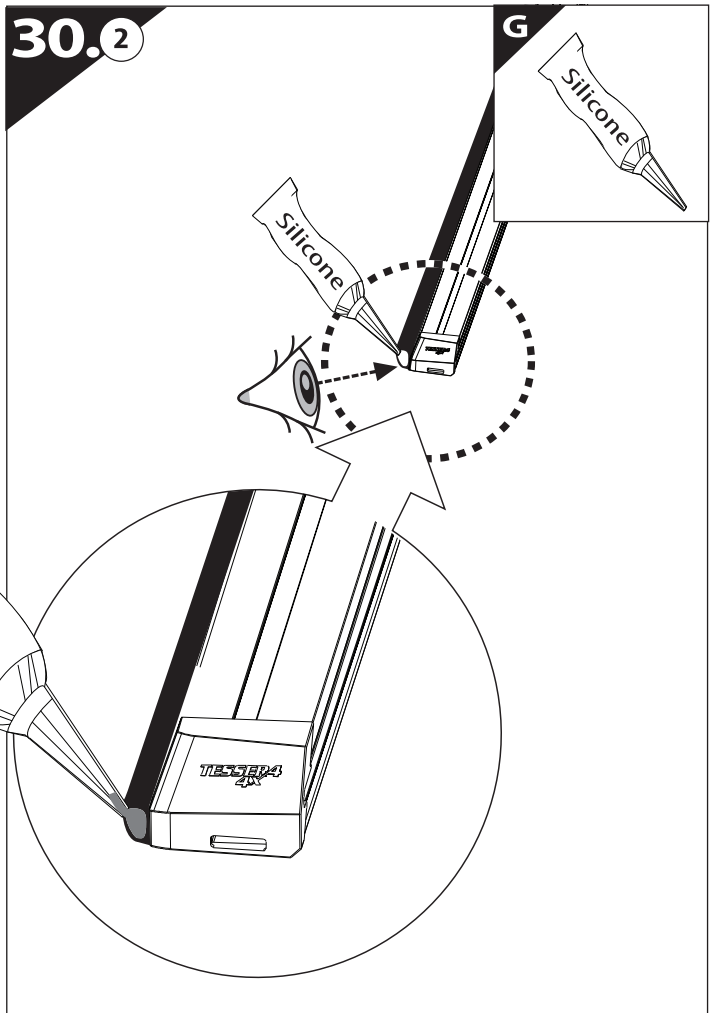




30.1

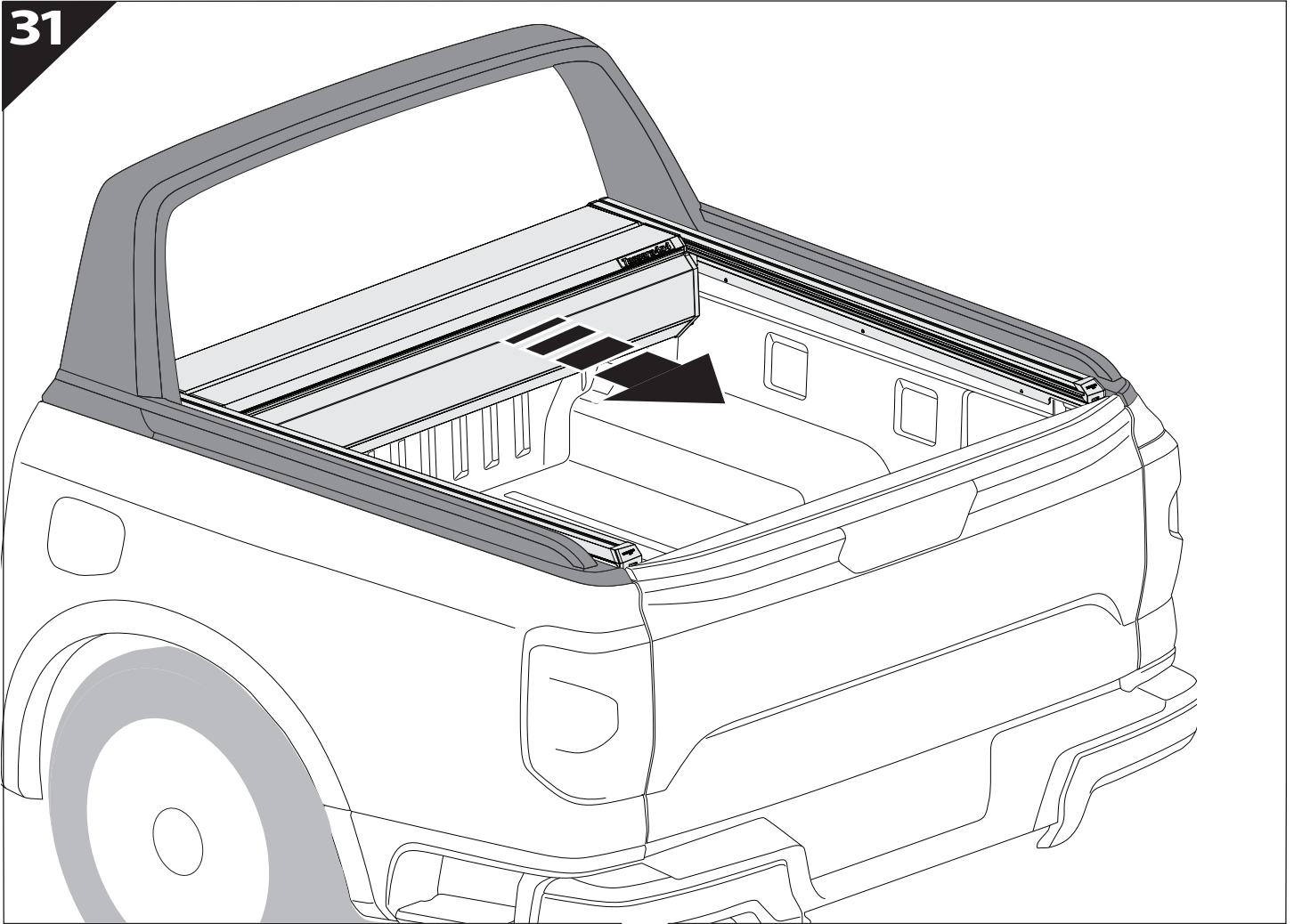


30.2

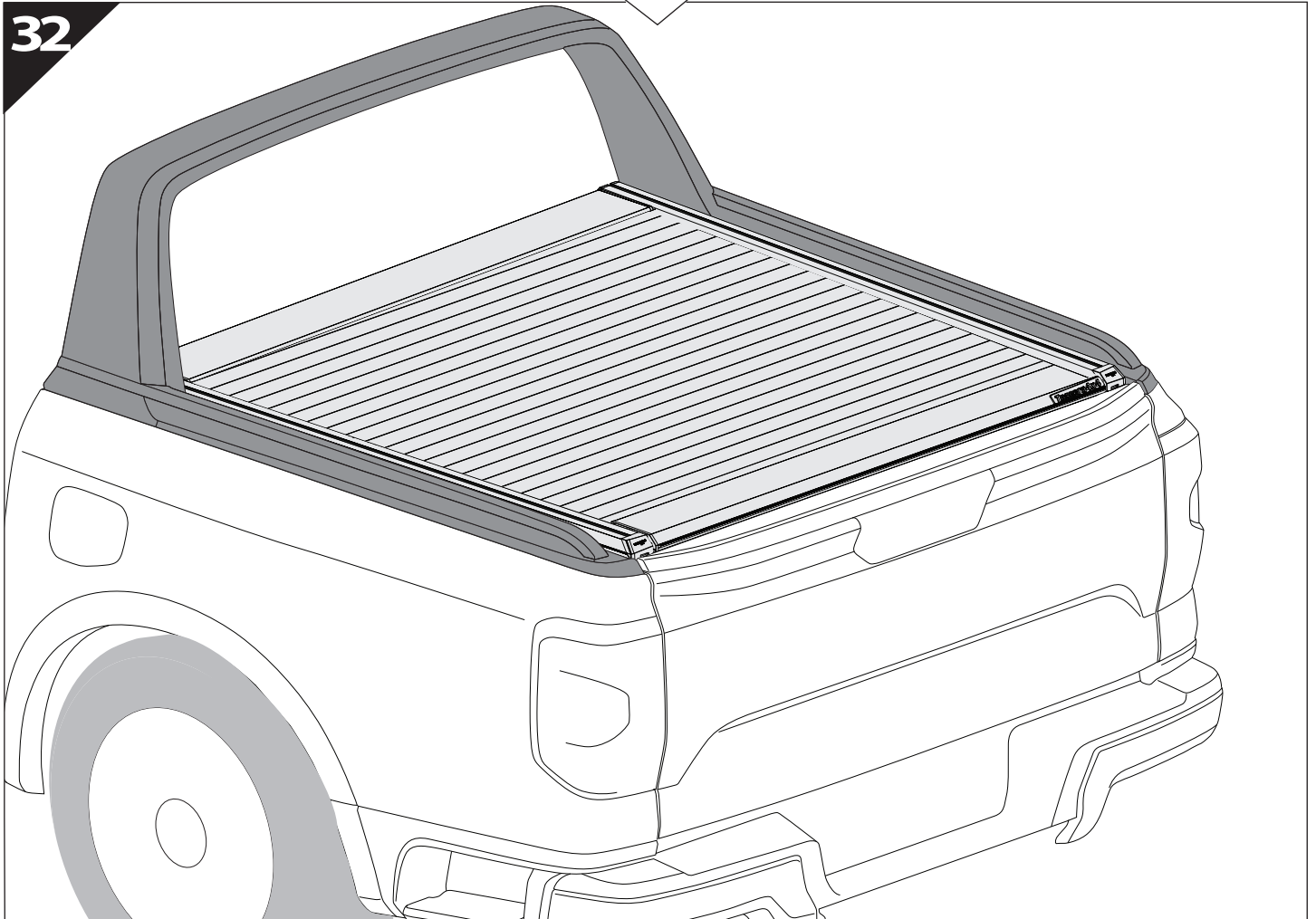




31



32









**GR:** Οδηγίες Εγκατάστασης  
**GB:** Installation manual  
**SF:** Asennusohje  
**F:** Notice de montage  
**PL:** Instrukcja montażu  
**NL:** Installatie-instructies  
**TR:** Montaj Talimatı  
**S:** Monteringsanvisning  
**E:** Instrucciones de montaje

**H:** Szerelési utasítás  
**P:** Instruções de instalação  
**RUS:** Инструкция по установке  
**N:** Monteringsveiledning  
**D:** Einbauanleitung  
**CZ:** Návod k instalaci  
**I:** Istruzioni de montaggio  
**DK:** Monteringsvejledning  
**RO:** Instructiuni de instalare

Customer Service:

+30 (210) 5541161, +30 (210) 5541154 (08:00 - 16:00 EET)

Support department:

[info@gianso.gr](mailto:info@gianso.gr)

Website:

[www.tessera4x4.com](http://www.tessera4x4.com)

Address:

19.5 km of National road Athens-Korinthos (Elefsina) Greece, P.C: 19200