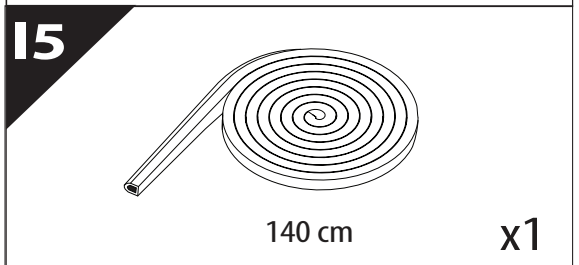
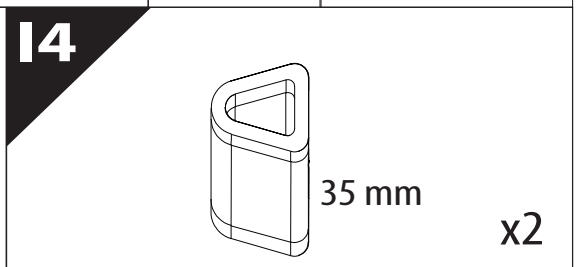
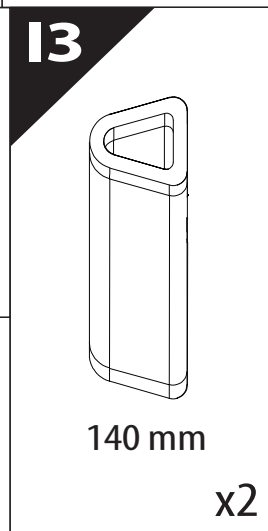
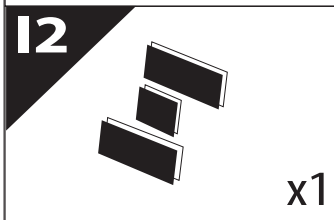
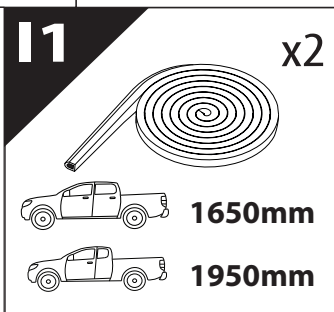
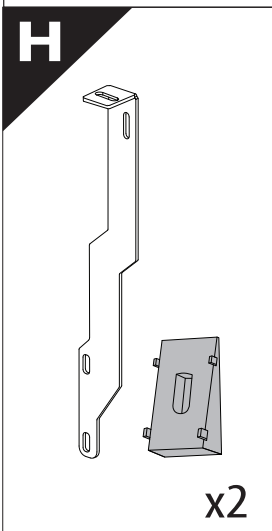
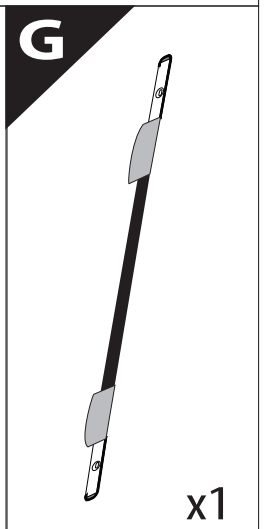
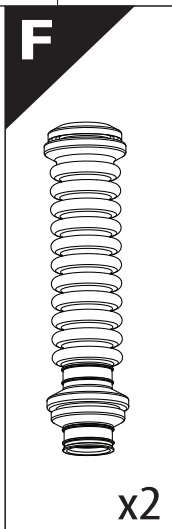
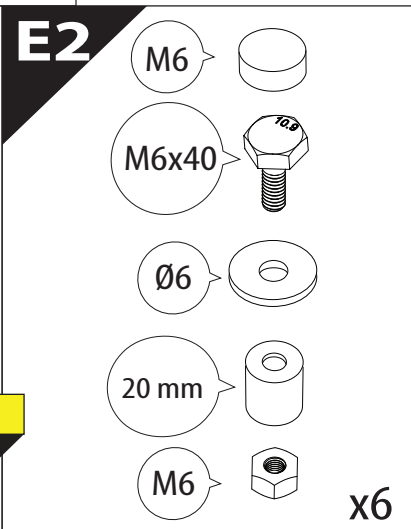
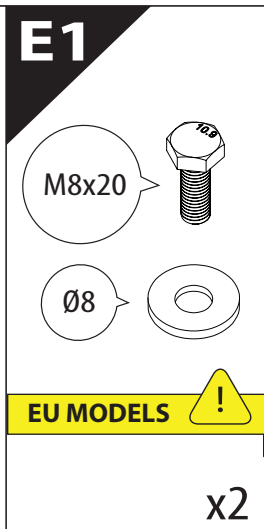
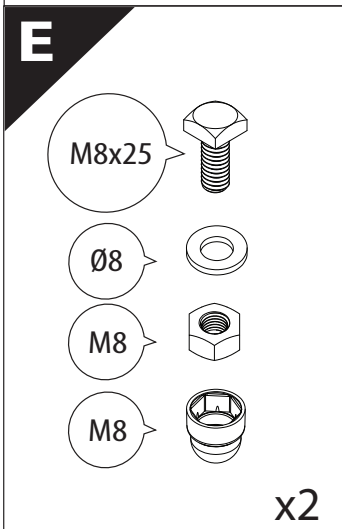
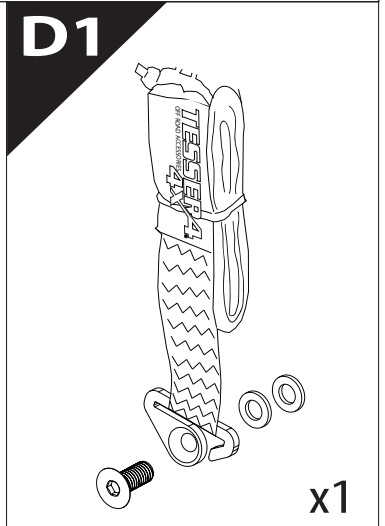
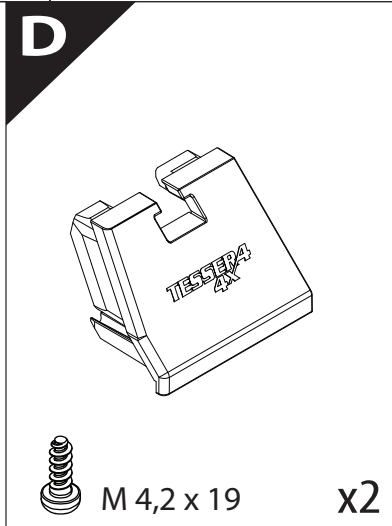
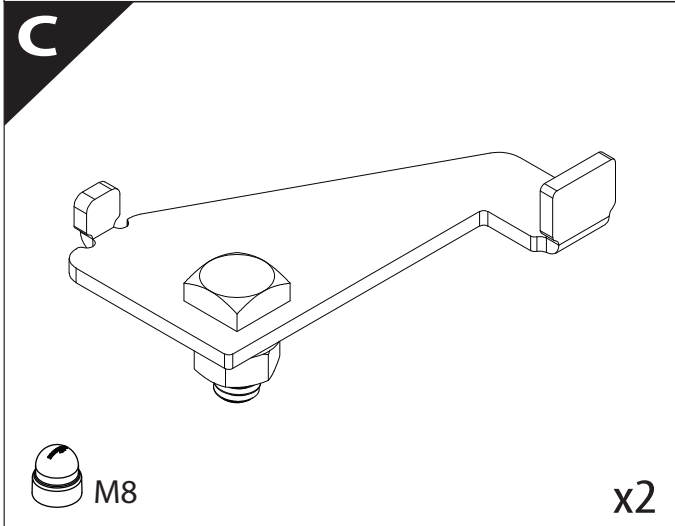
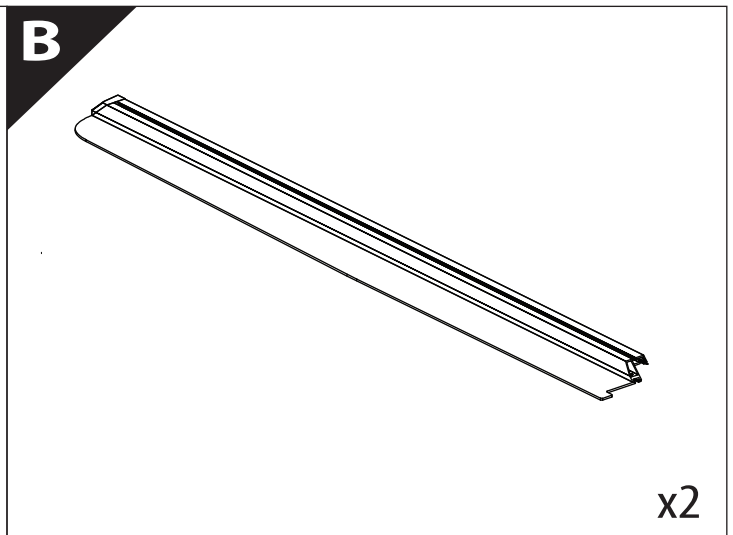
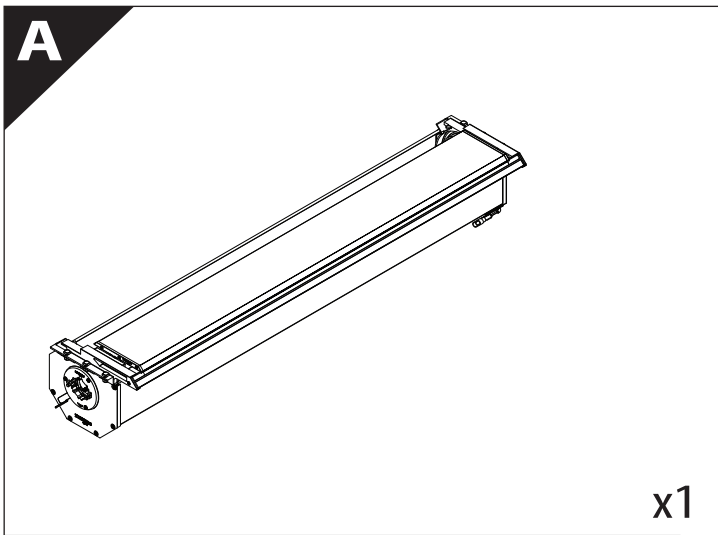
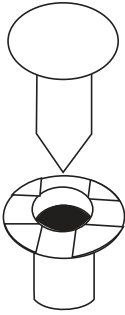

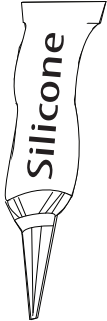

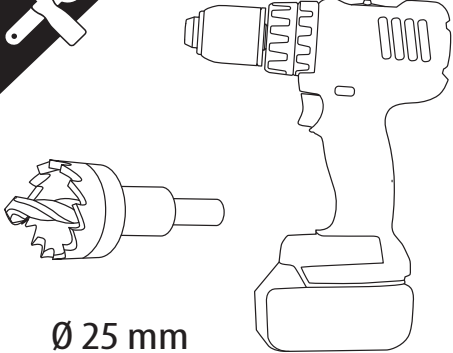
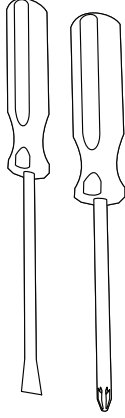
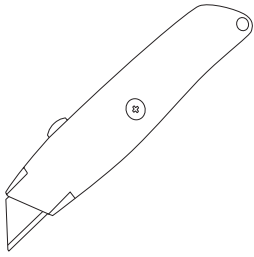
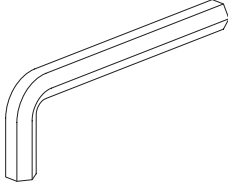


Installation Manual

| PART NUMBER(S) | Model Year |
|------------------------|--|
| TESS 15080 SE | FORD RANGER WILDTRAK 2023+ OEM ROLL BAR |
| TESS 15090 SE | |
| Cab(s) | Installation Time / Weight |
| Double Cab & Space cab | 40-60 minutes / 53-57 kg |

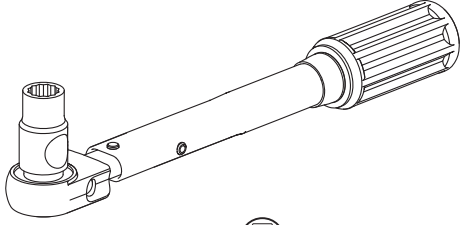


| | | | |
|---|---|--|---|
| <p>J</p>  <p>x2</p> <p>US MODELS </p> | <p>K</p>  <p>Silicone</p> |   <p>Ø 25 mm</p> |  <p>+ -</p> |
|---|---|--|---|

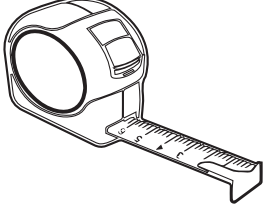

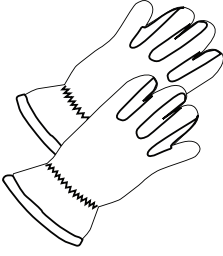
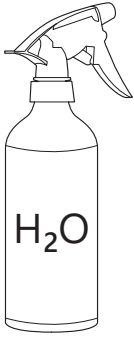



4 mm

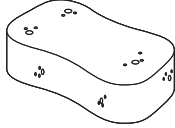
1 - 25 Nm



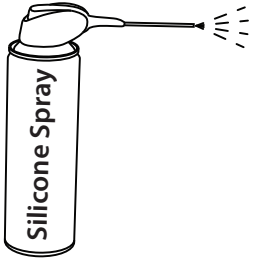
13, 17 mm


H₂O



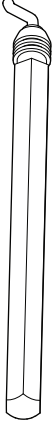
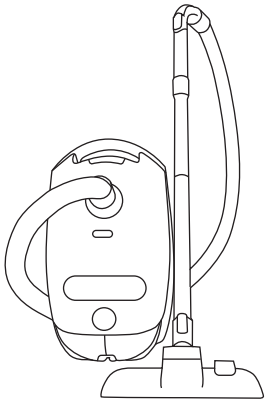
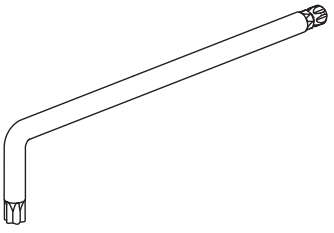

ACETONE




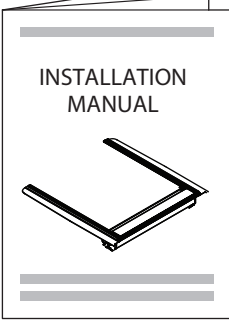
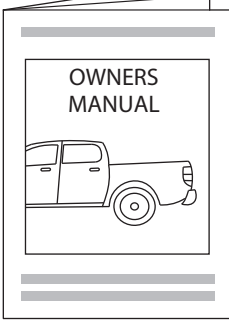
Silicone Spray

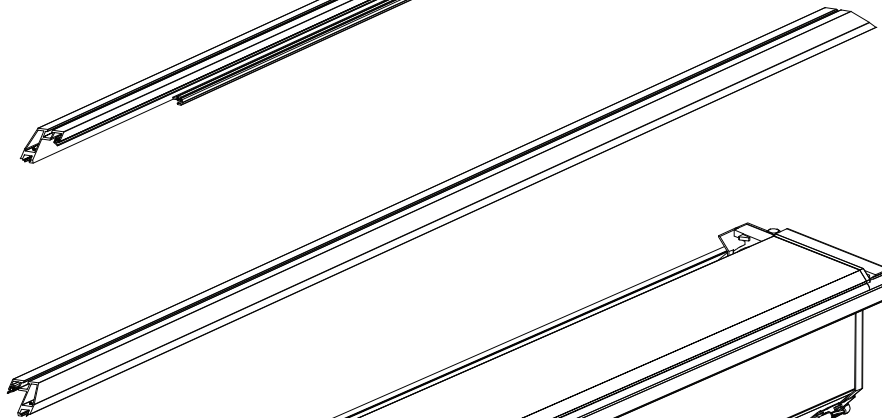
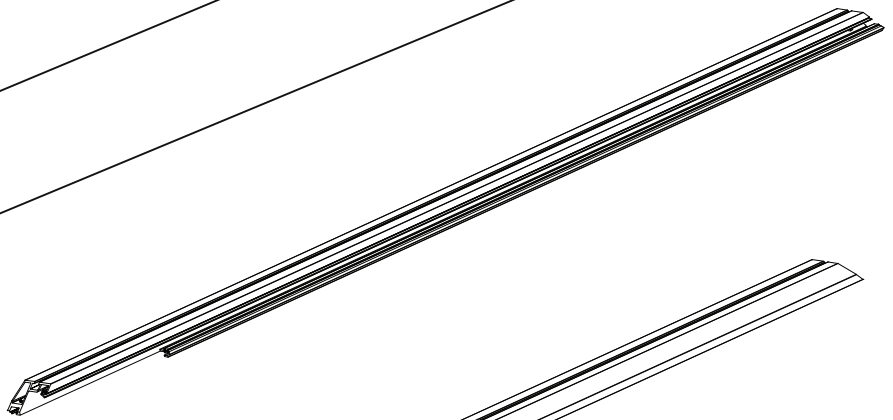
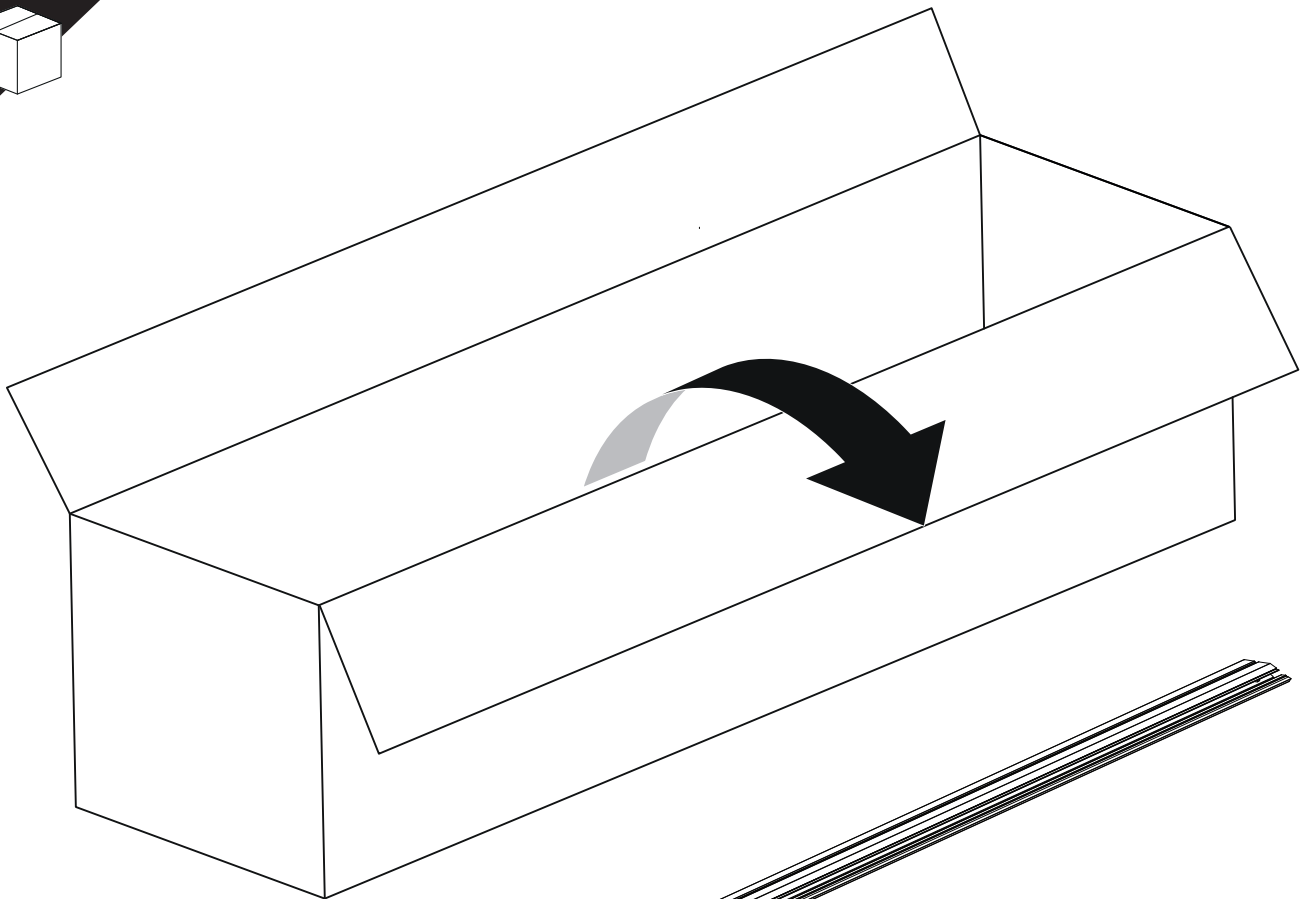


ANTI-RUST

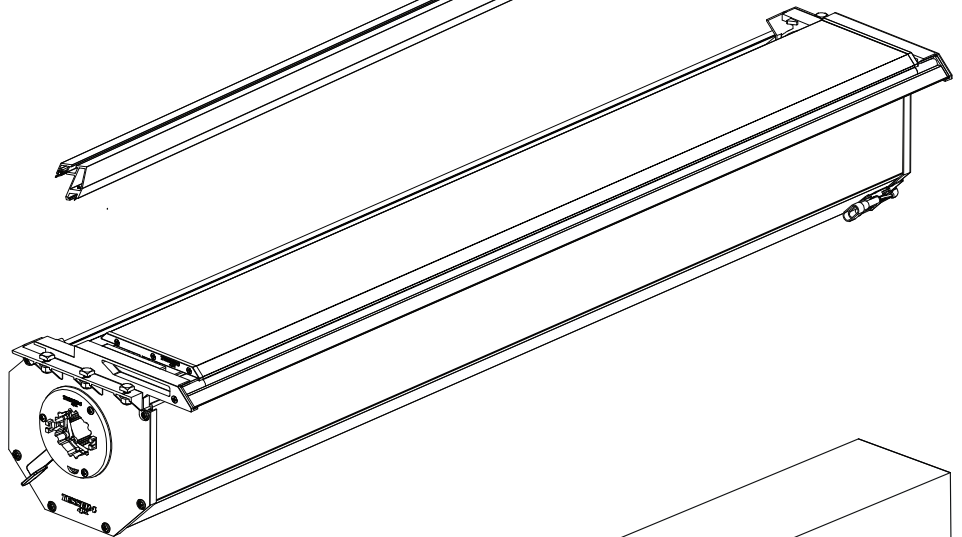




T30, T40

| | | | |
|--|--|---|-----------|
|  |  <p>INSTALLATION MANUAL</p> |  <p>OWNERS MANUAL</p> | <p>x1</p> |
|--|--|---|-----------|

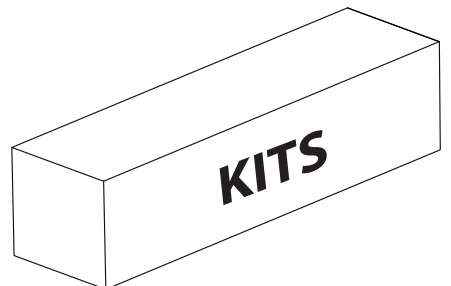


B

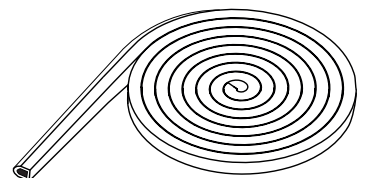


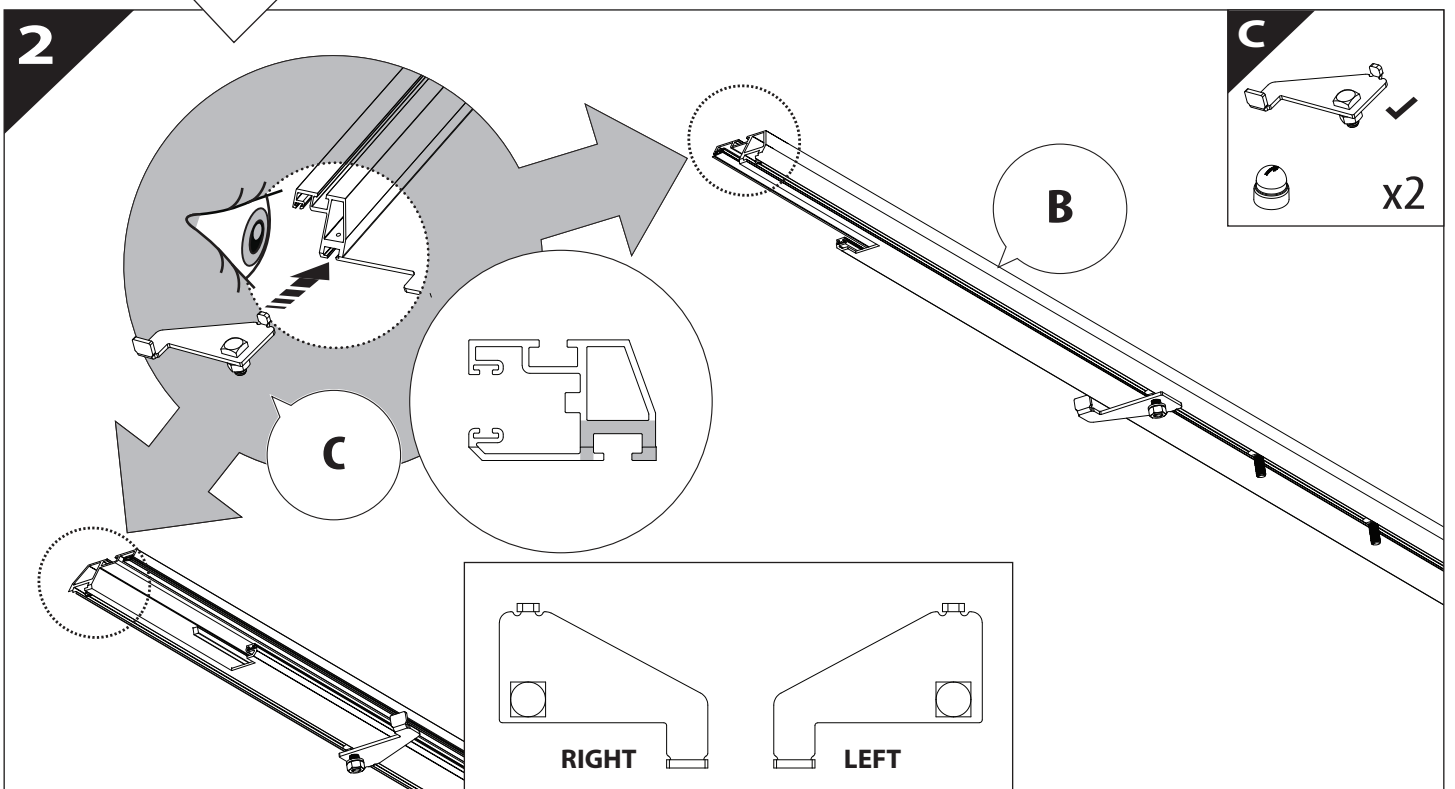
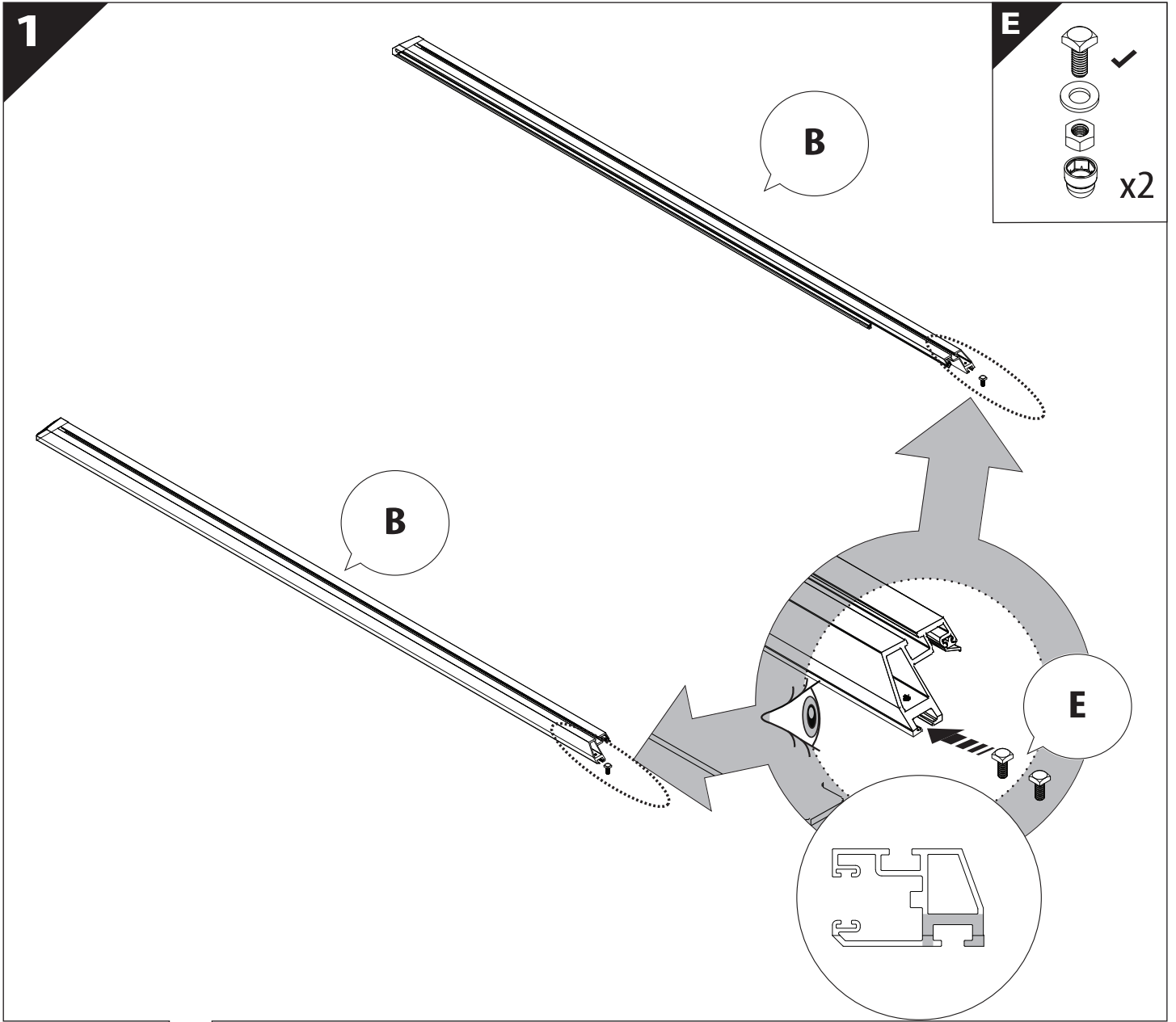
A

KITS

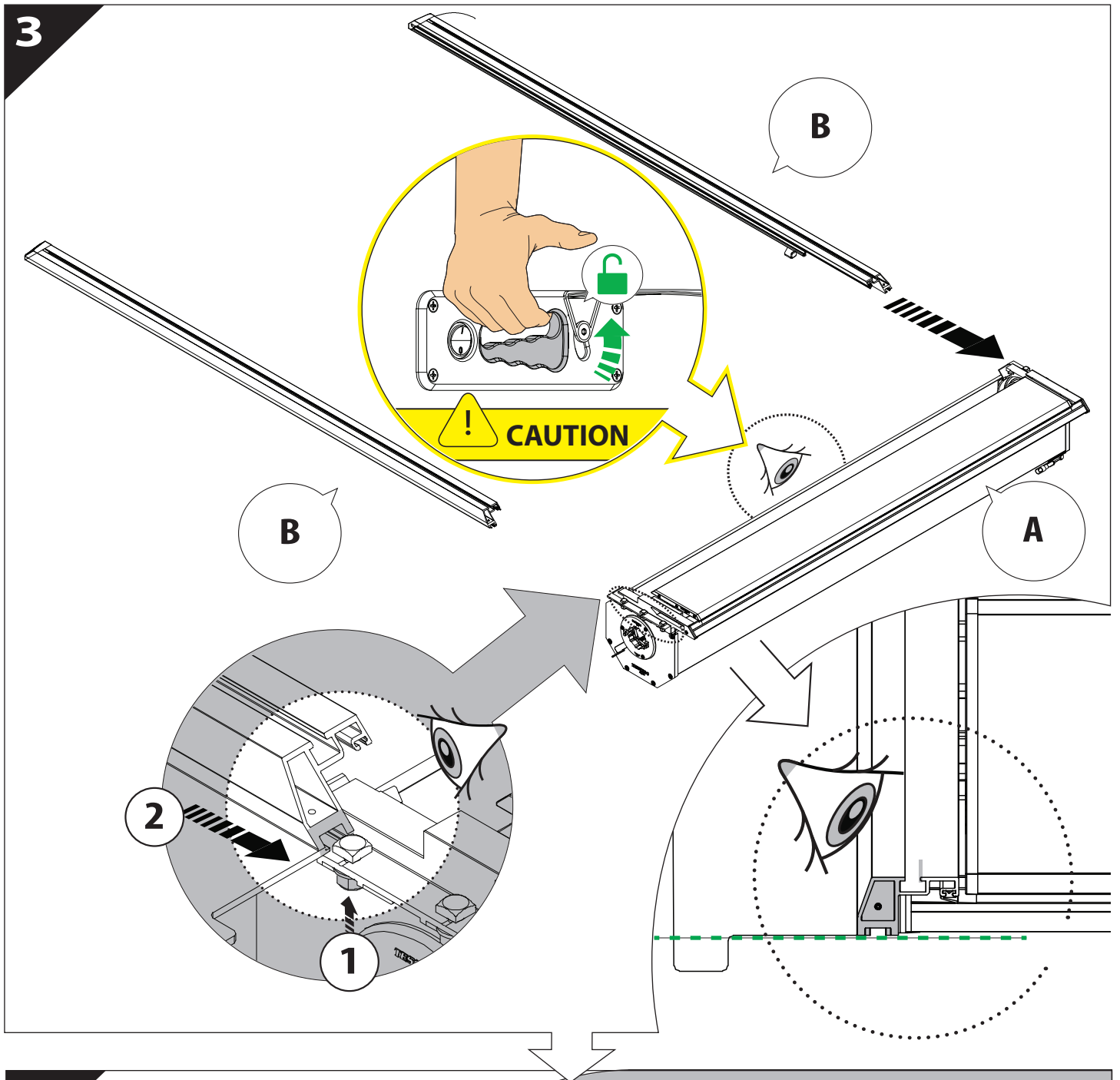


I

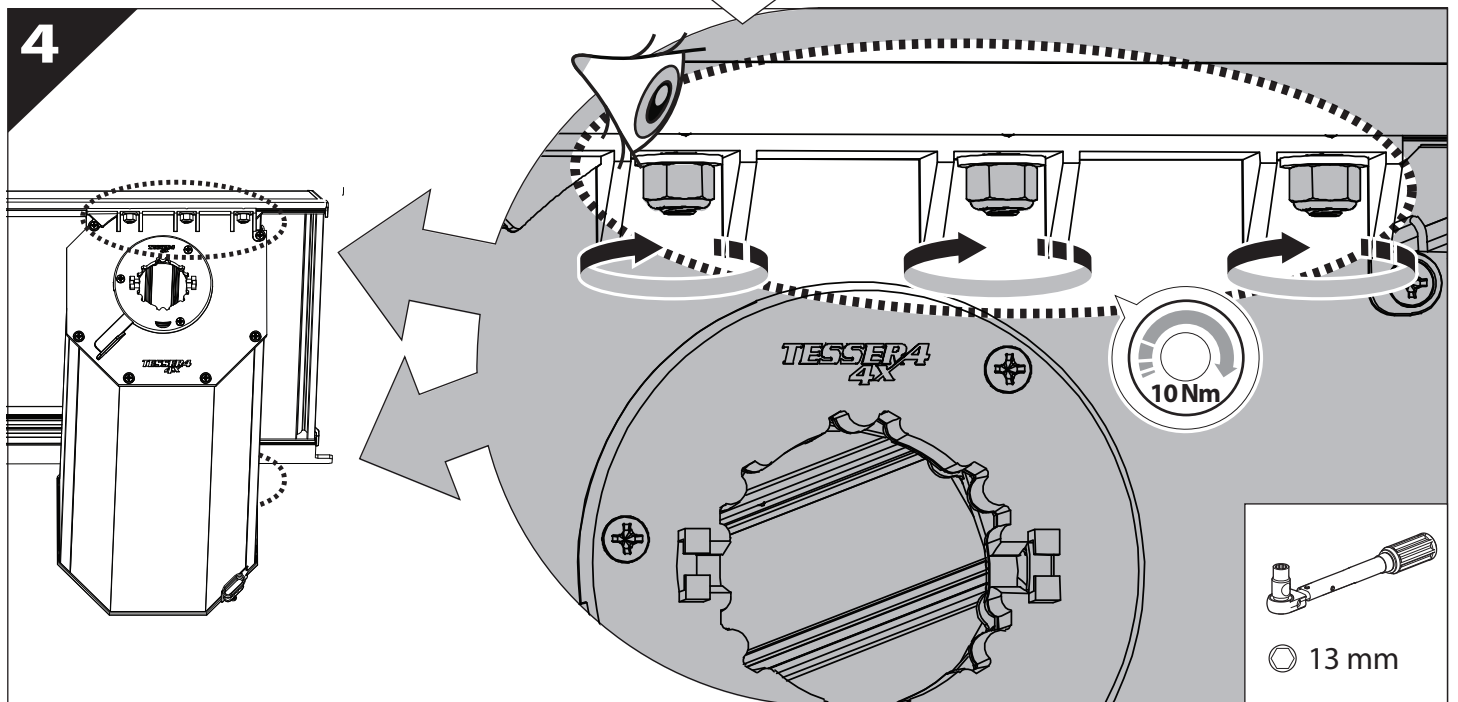


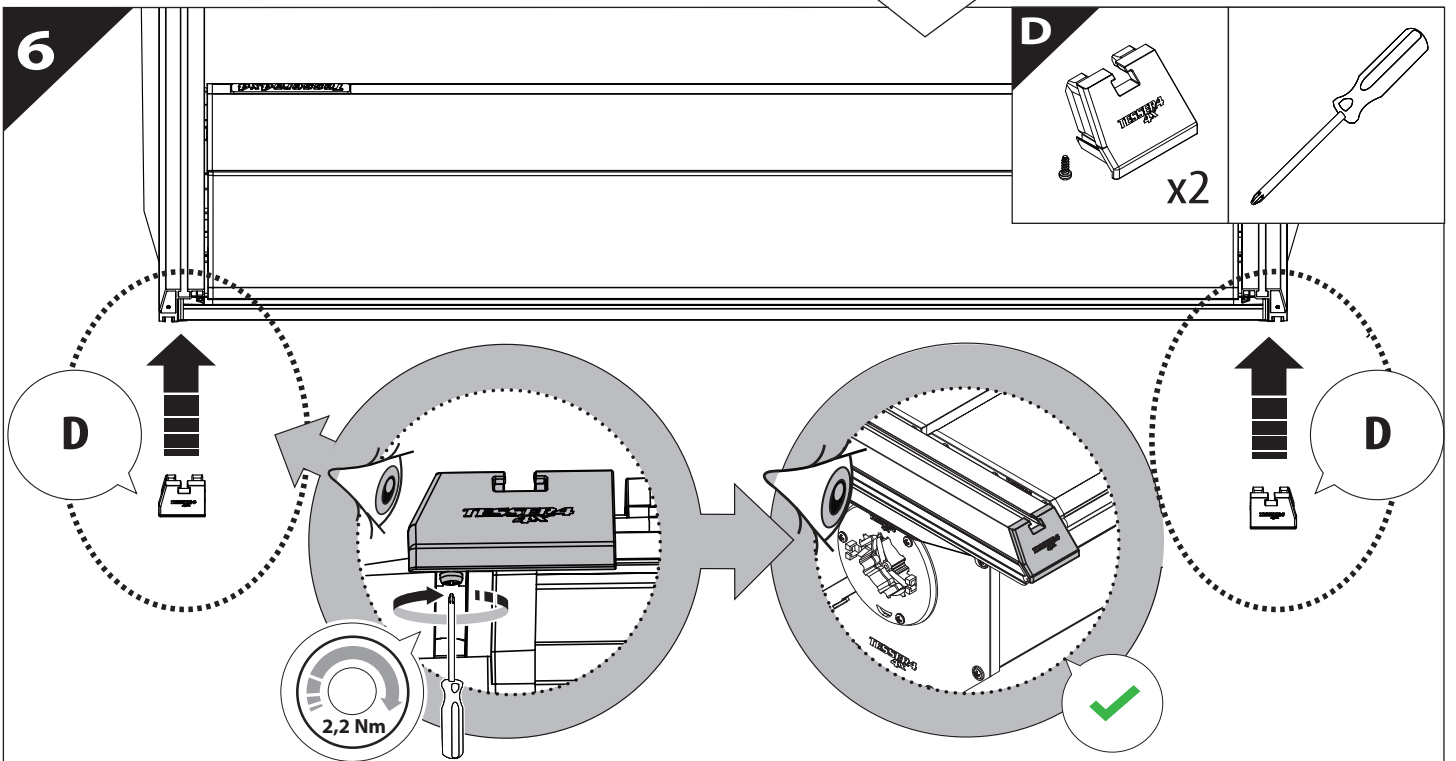
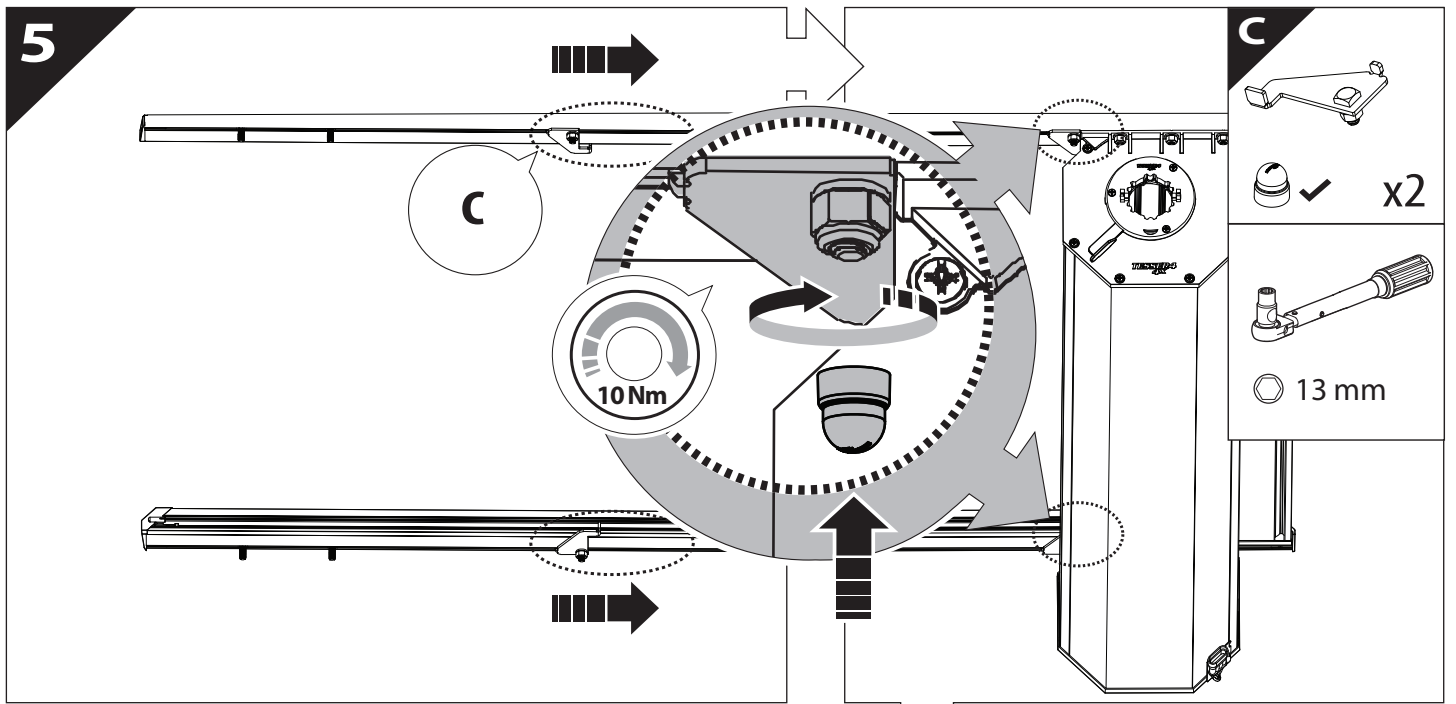


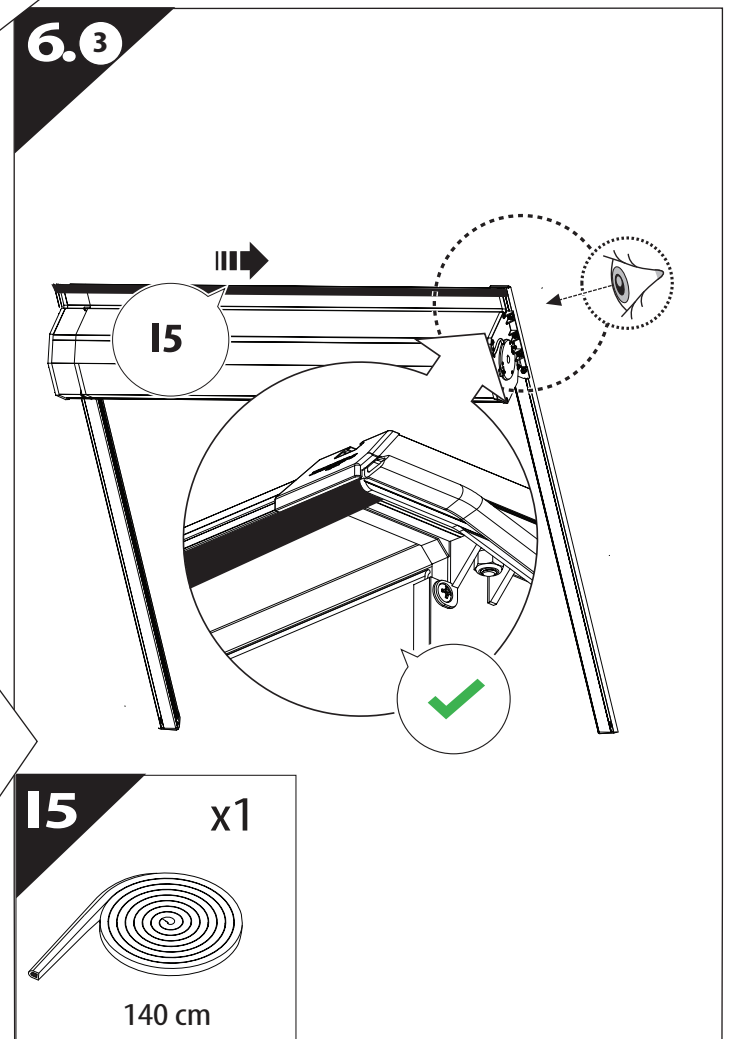
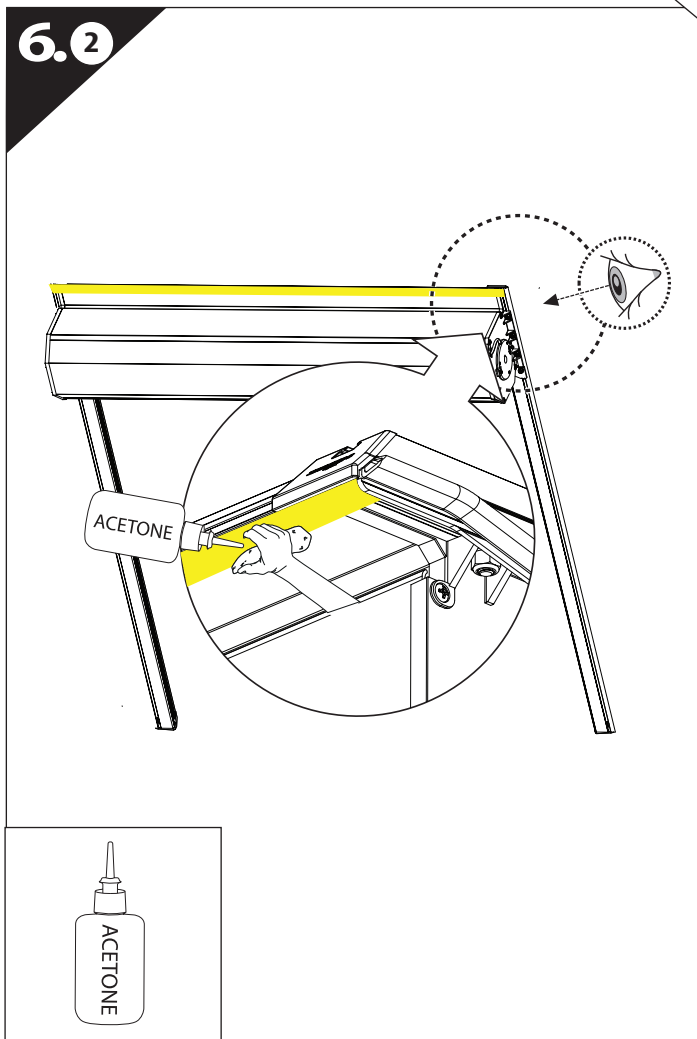
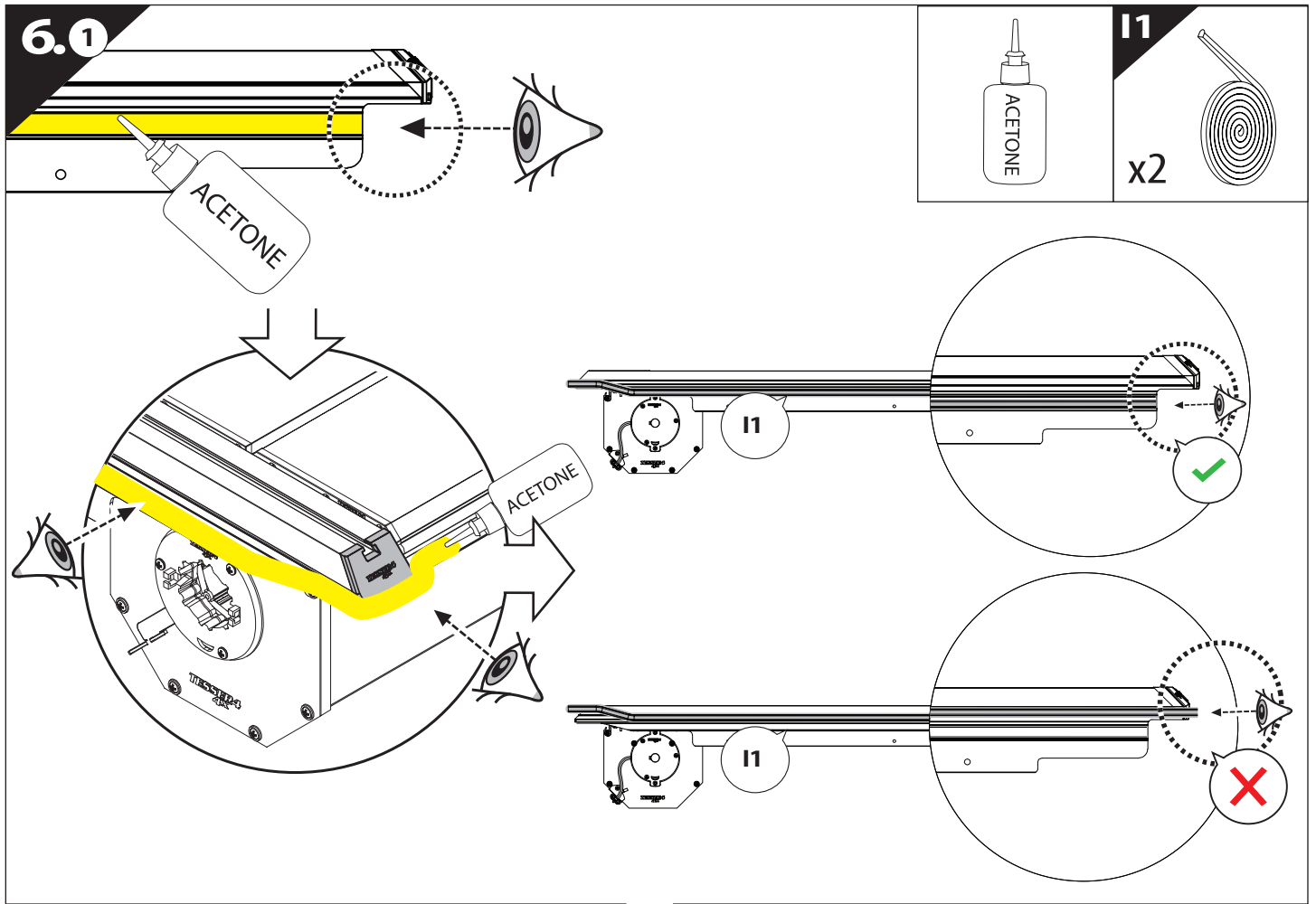
3

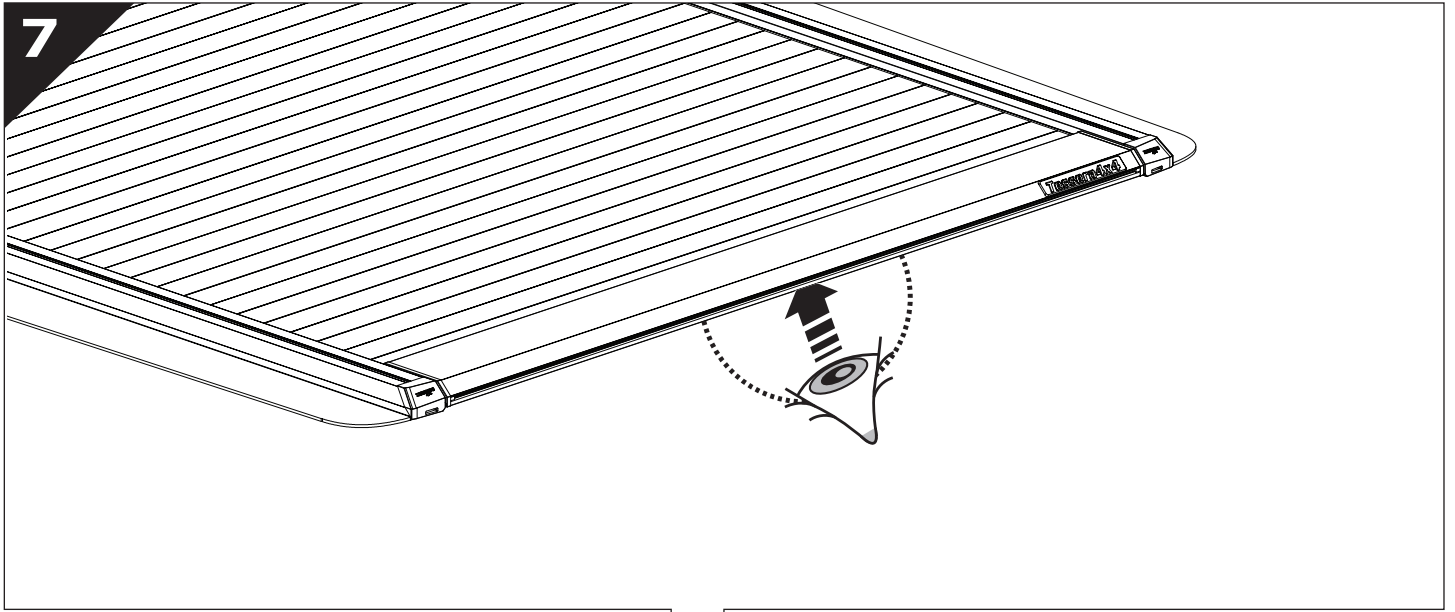



4

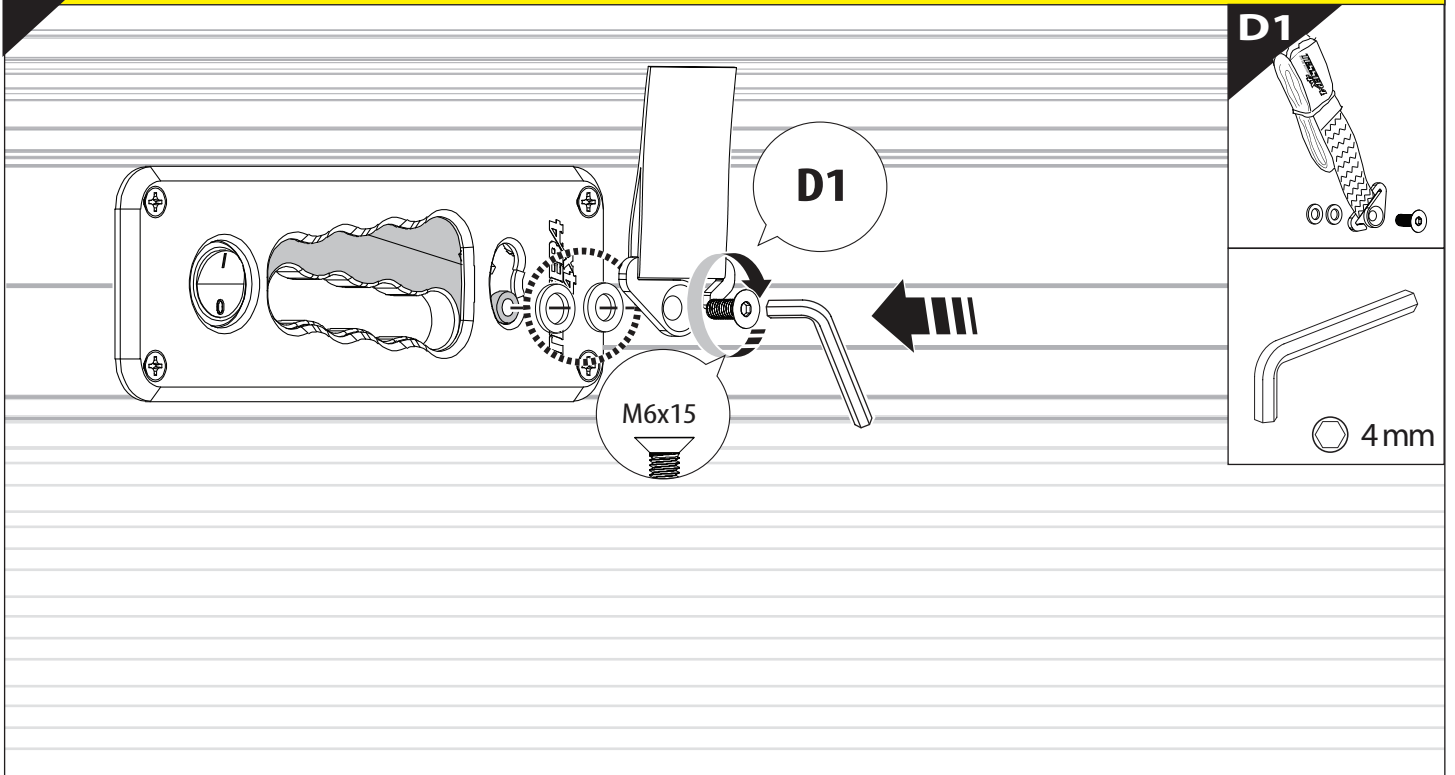








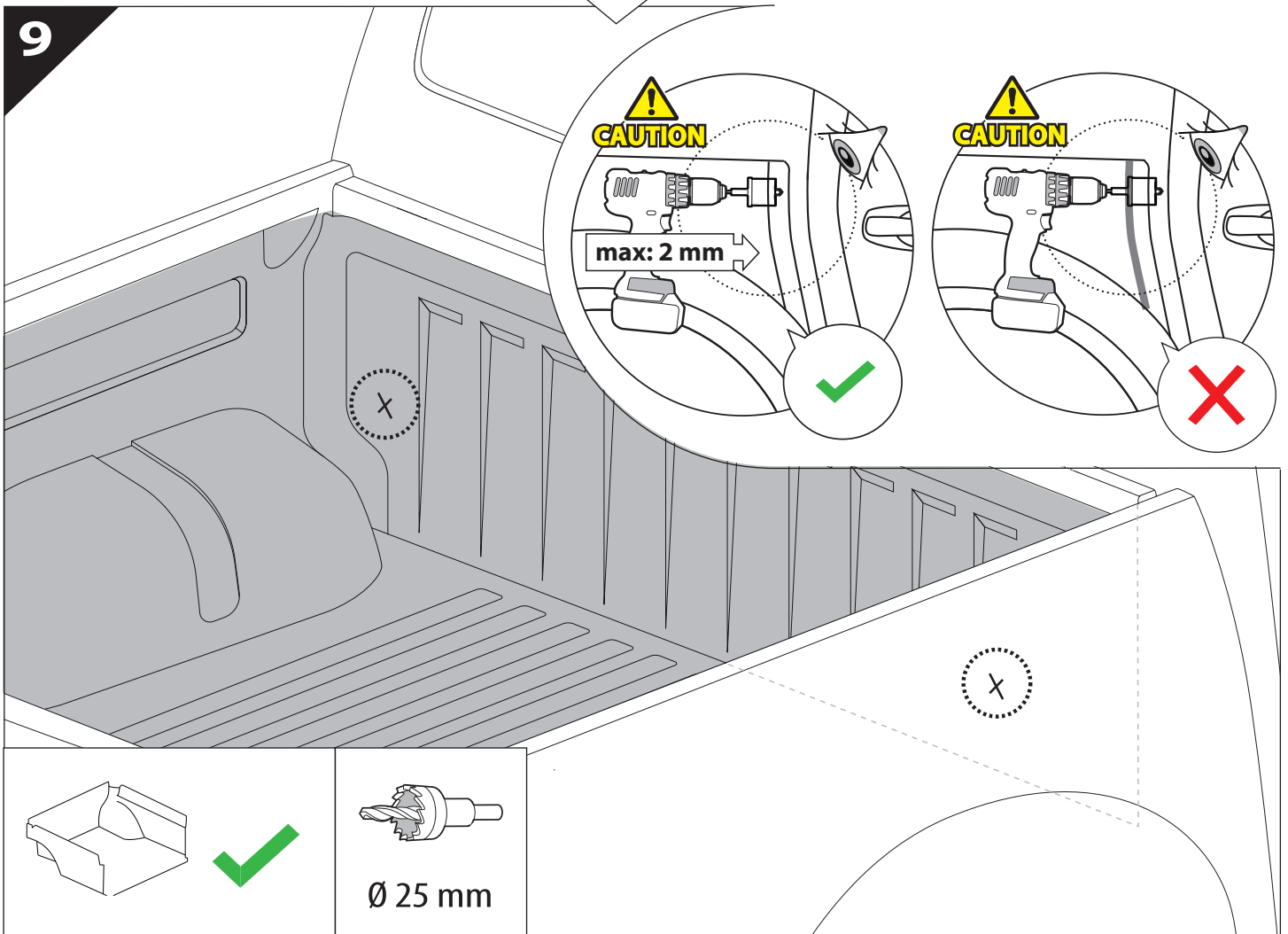
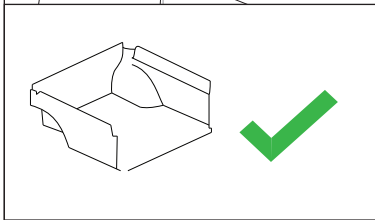
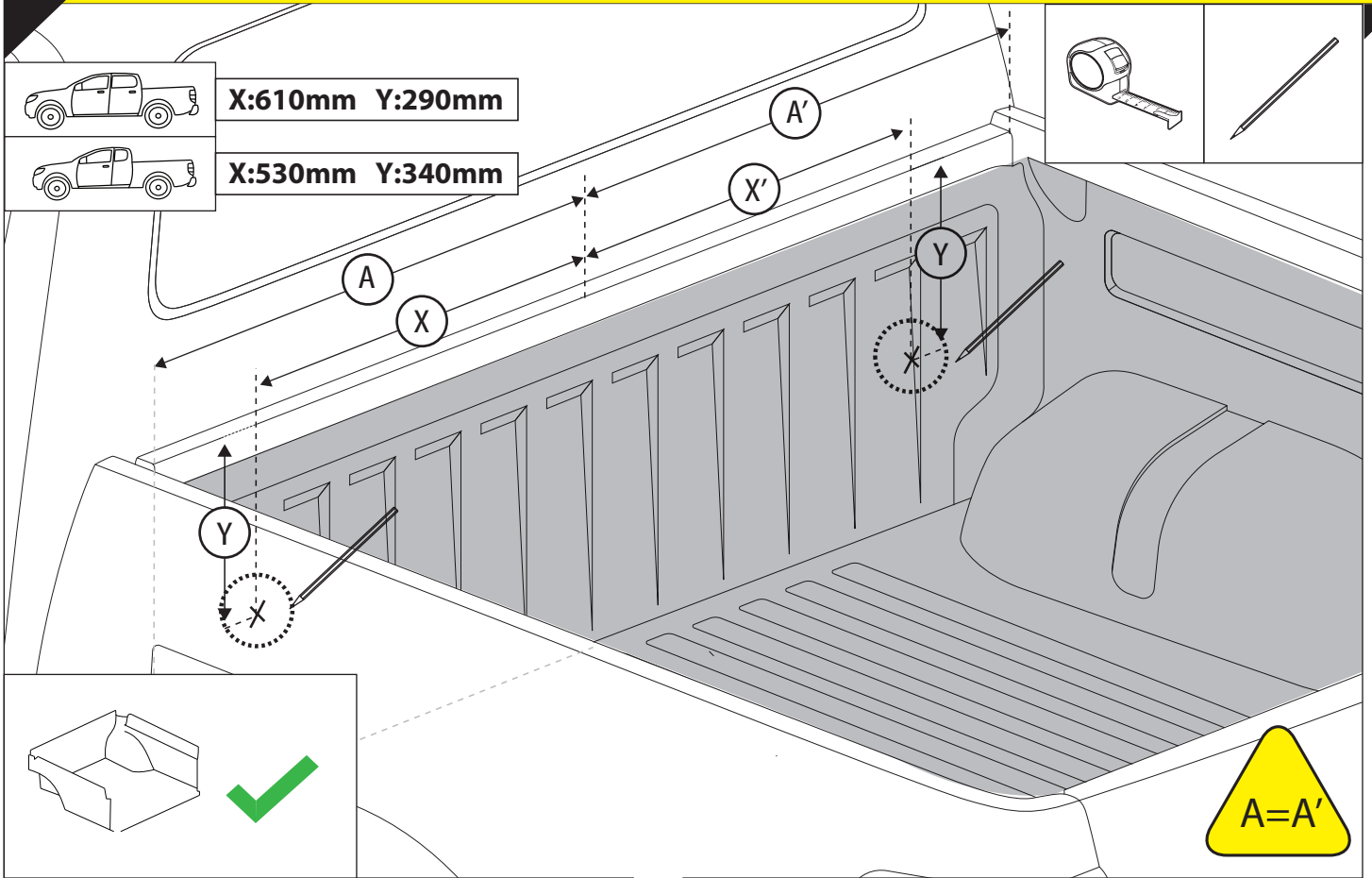
7.1  **CAUTION** Basic Version ✓ & Basic+S-KIT Version ✓

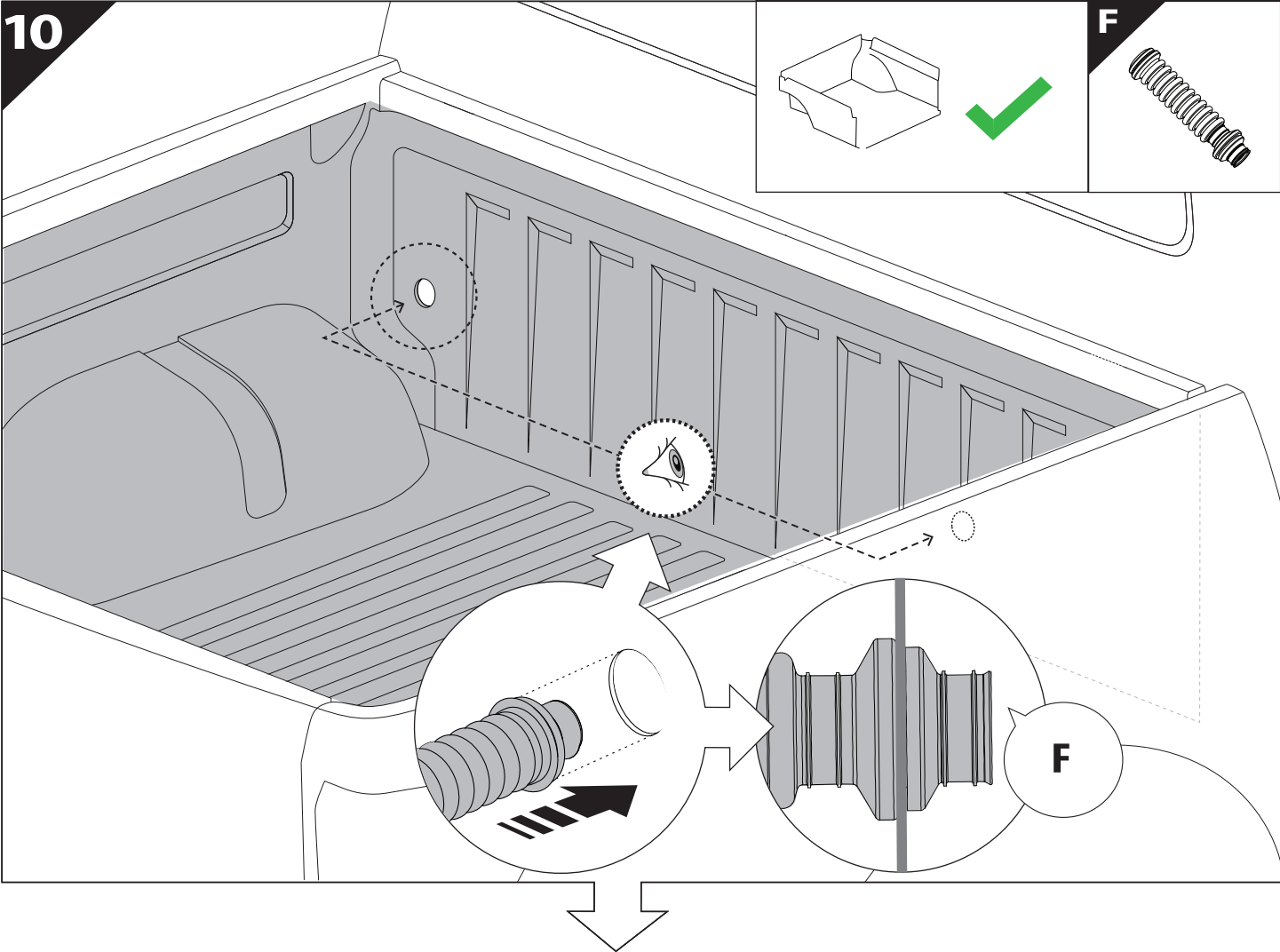


8



CAUTION: LIMITED, WILDTRAK, WILDTRAK X, PLATINUM

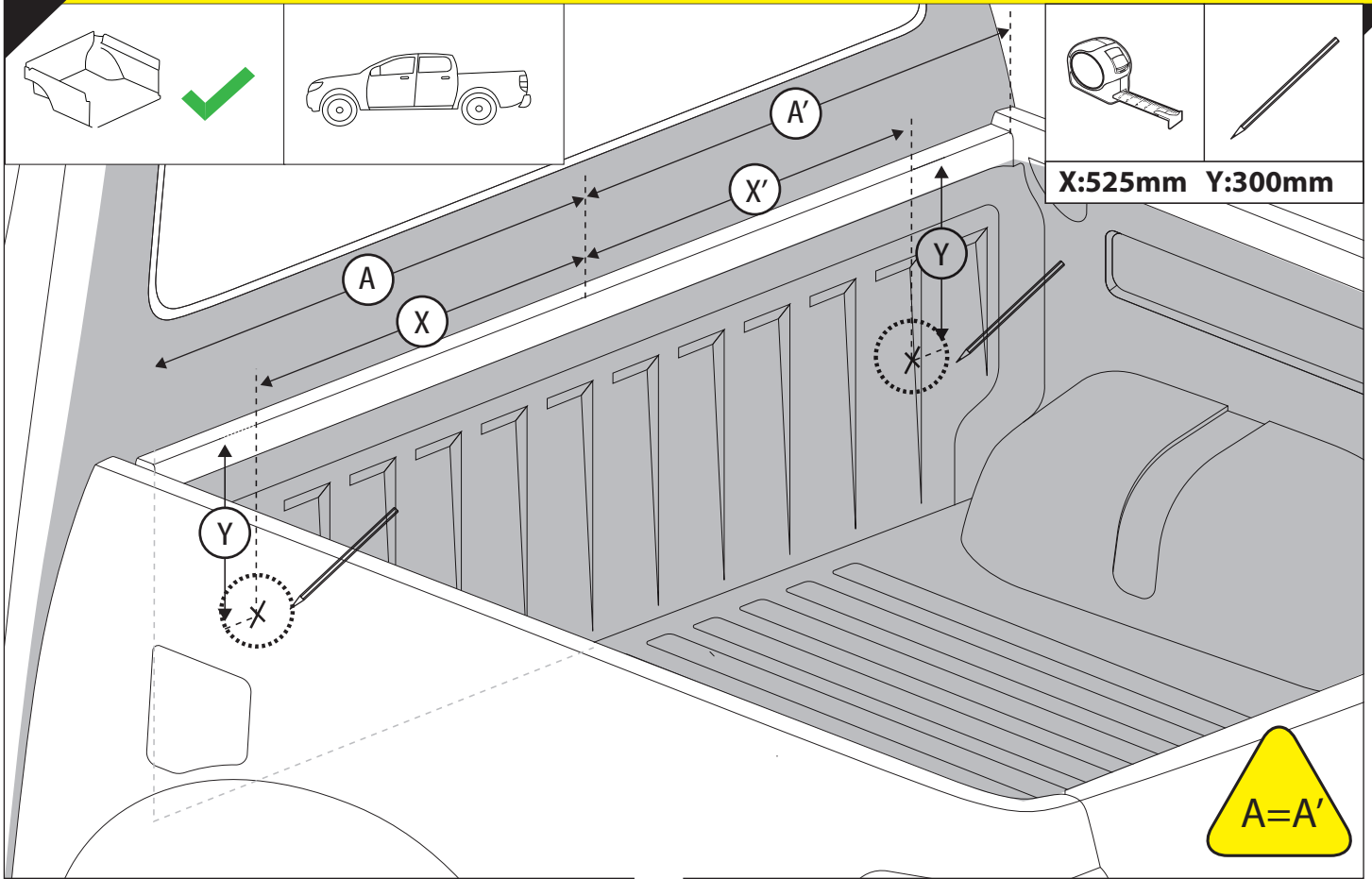
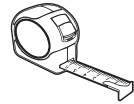
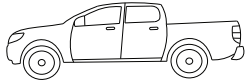
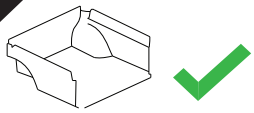




11



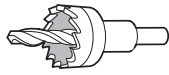
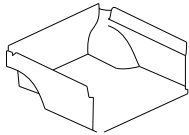
CAUTION: RAPTOR



X:525mm Y:300mm

$A=A'$

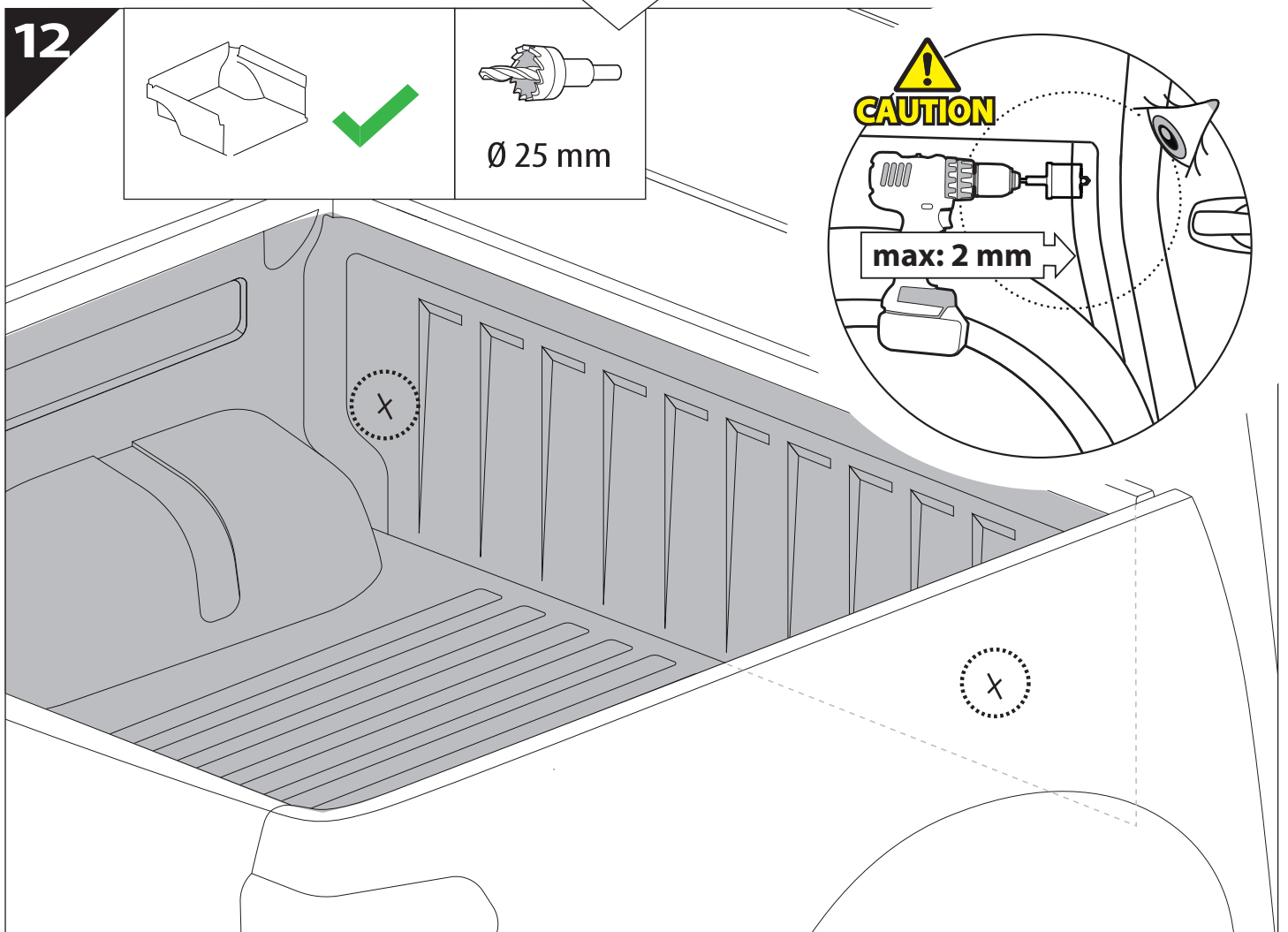
12



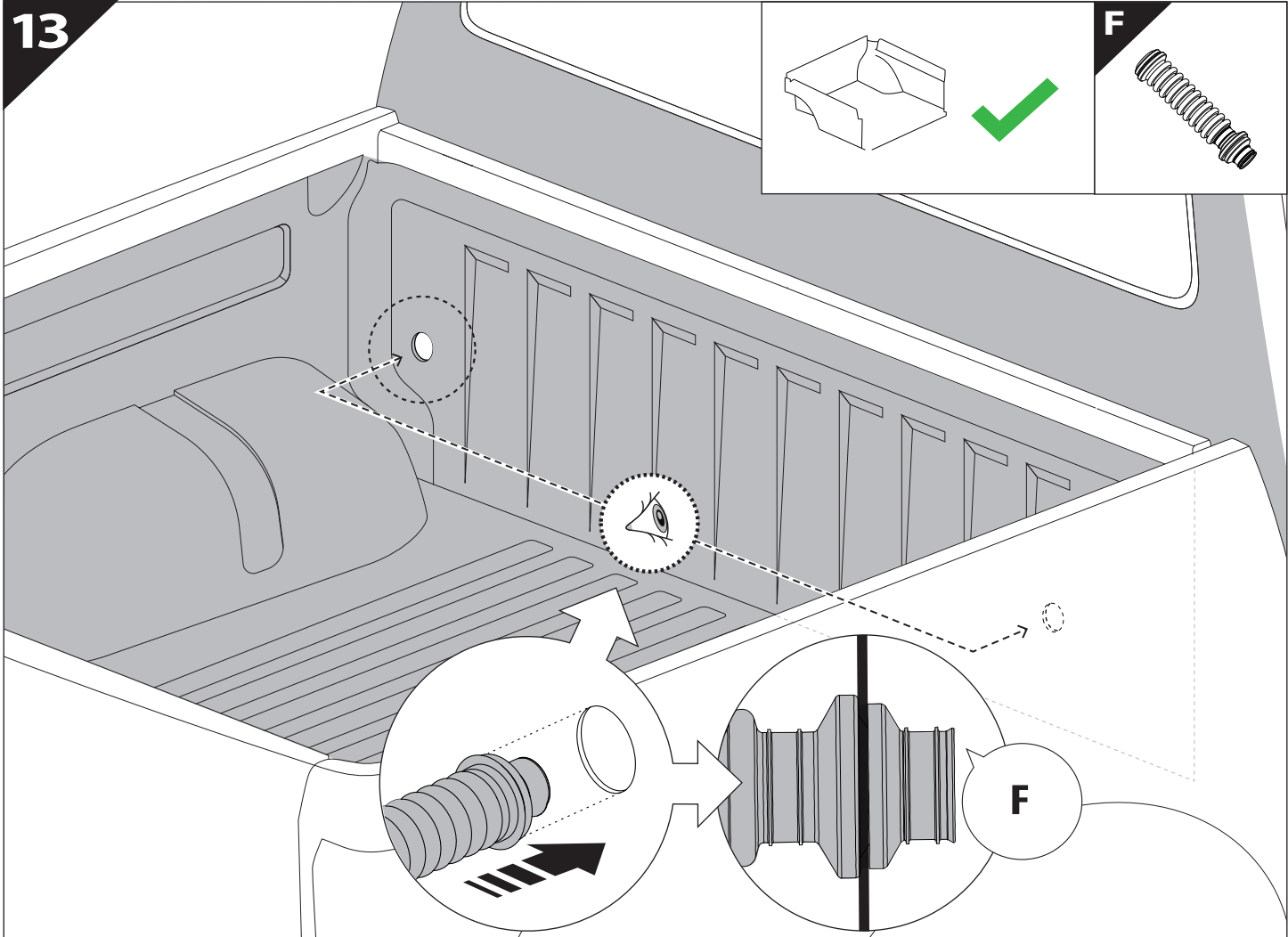
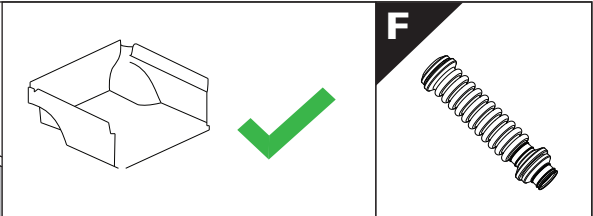
Ø 25 mm

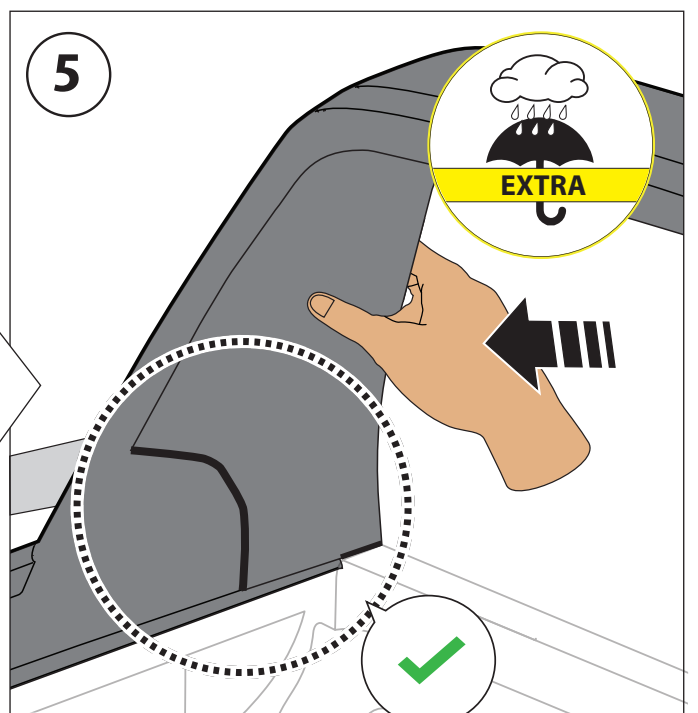
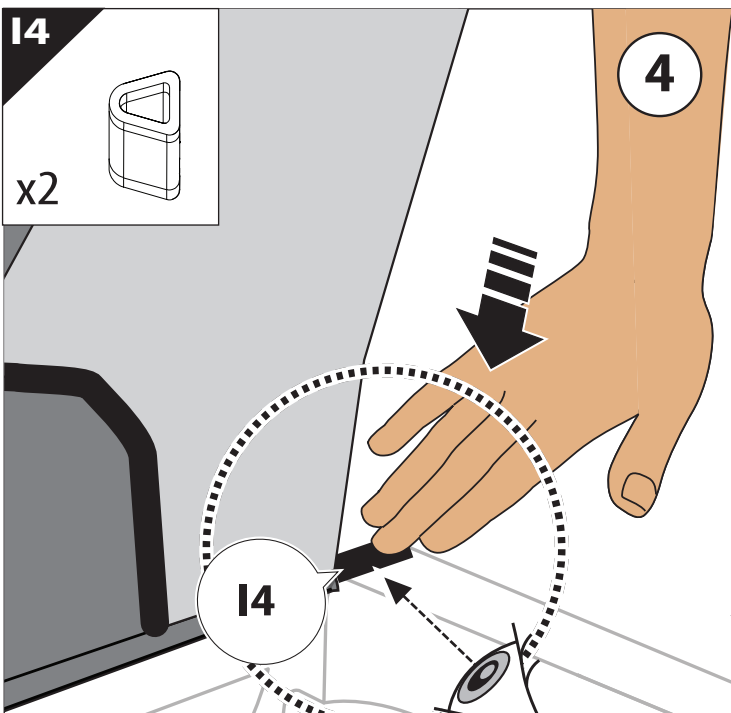
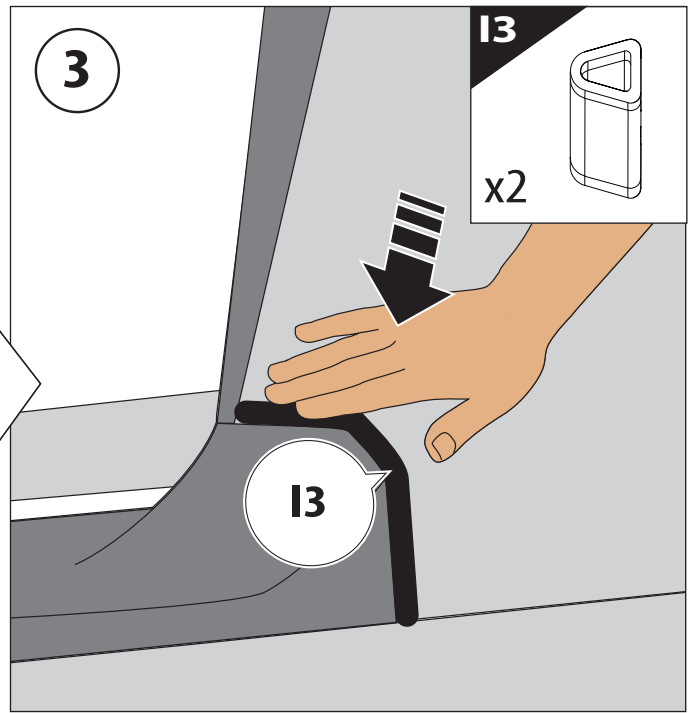
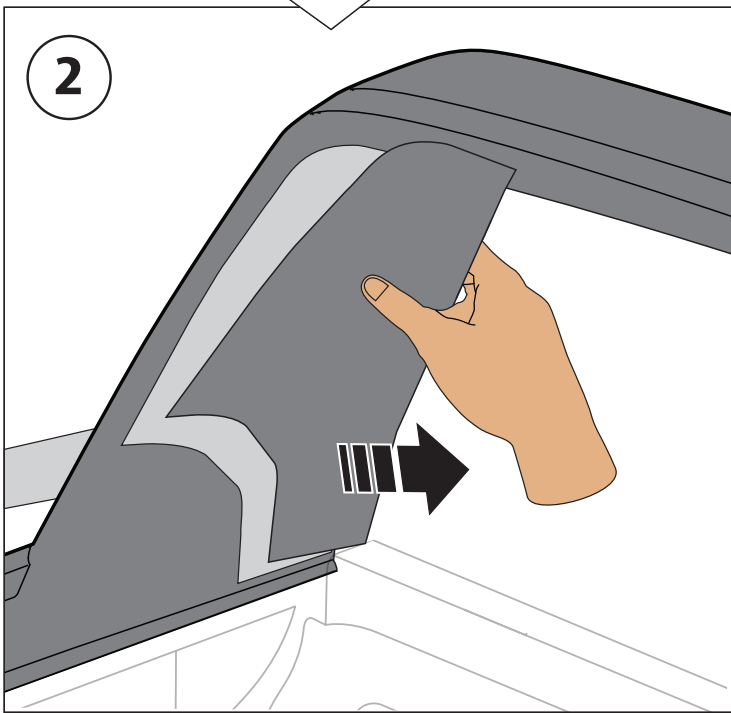
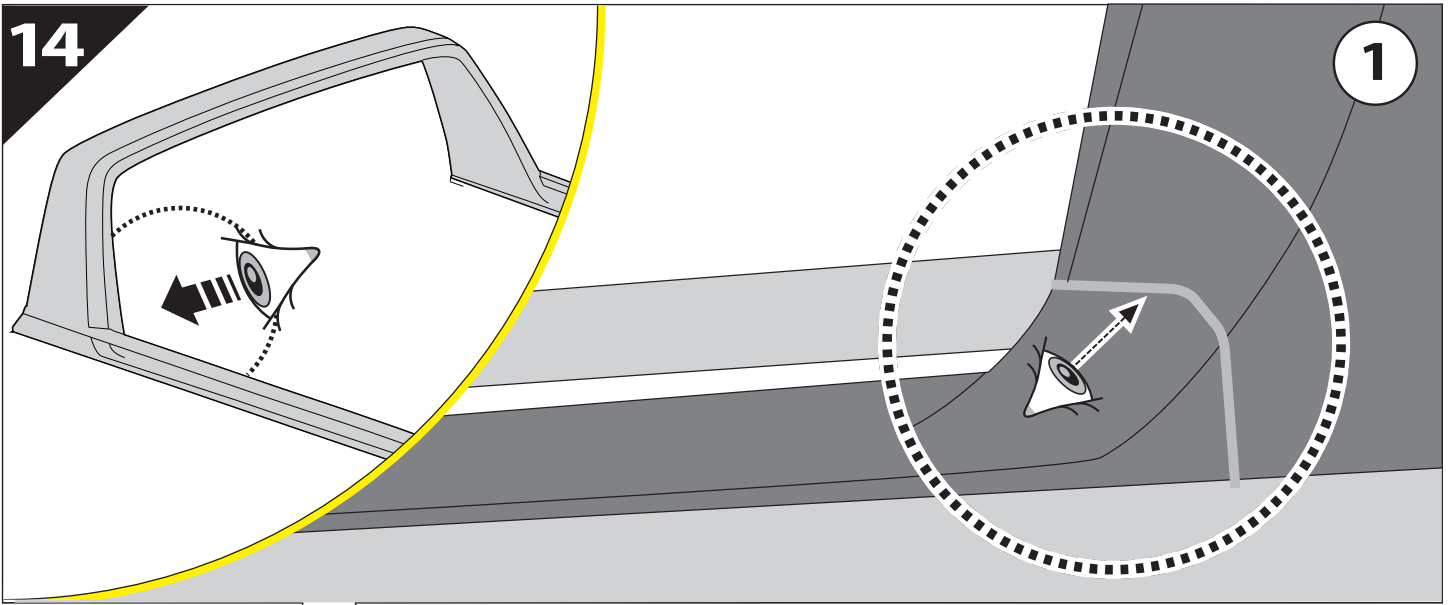
CAUTION

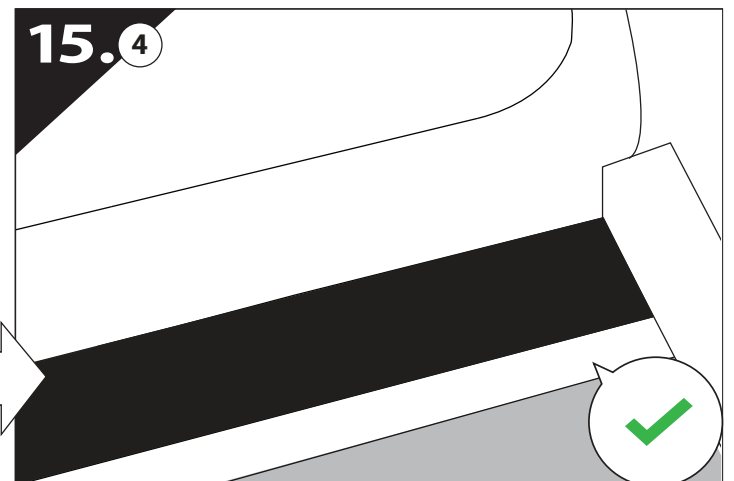
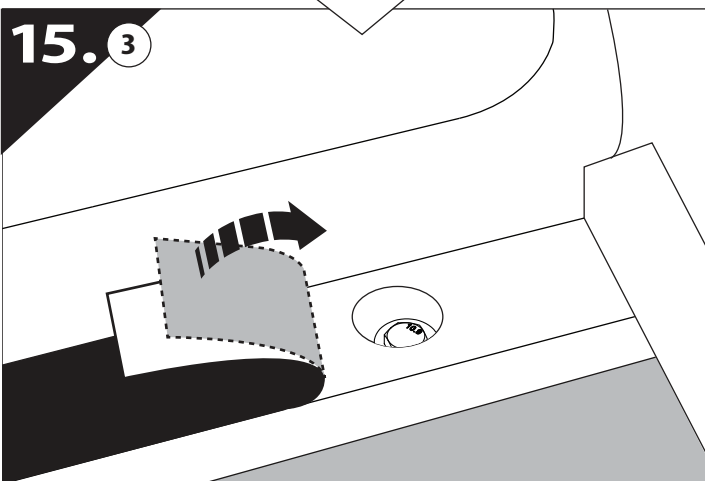
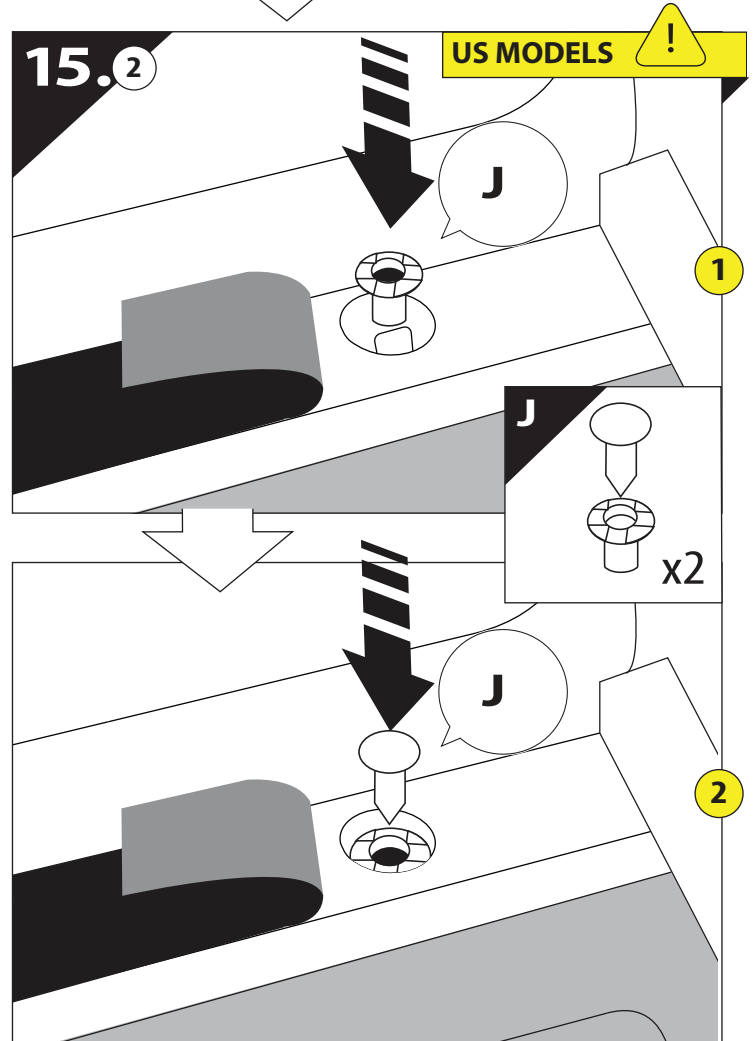
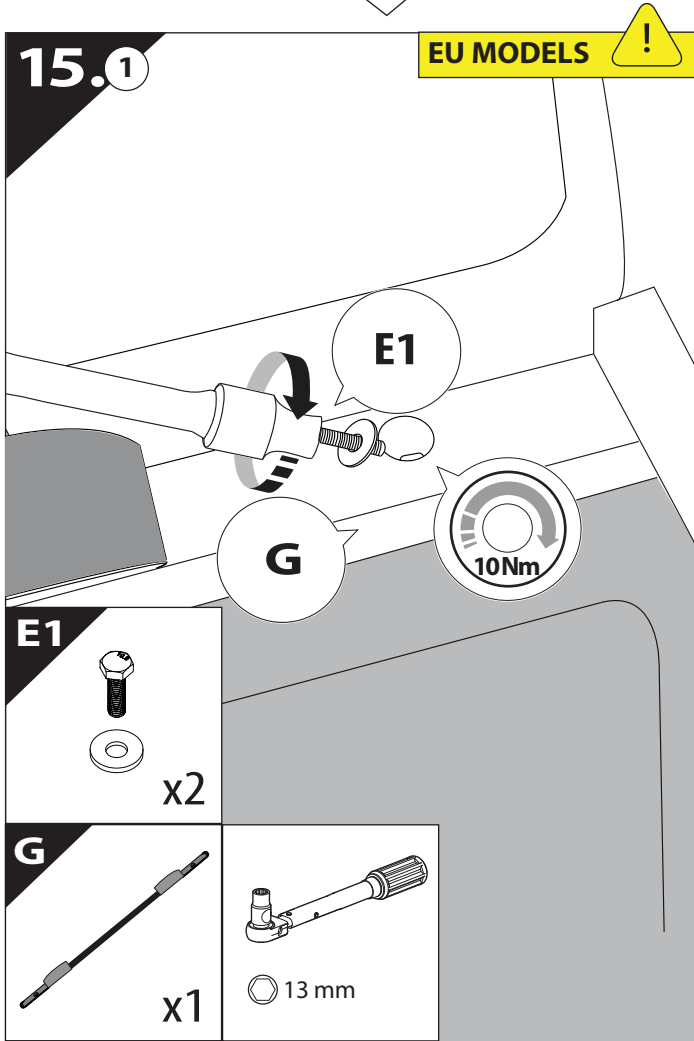
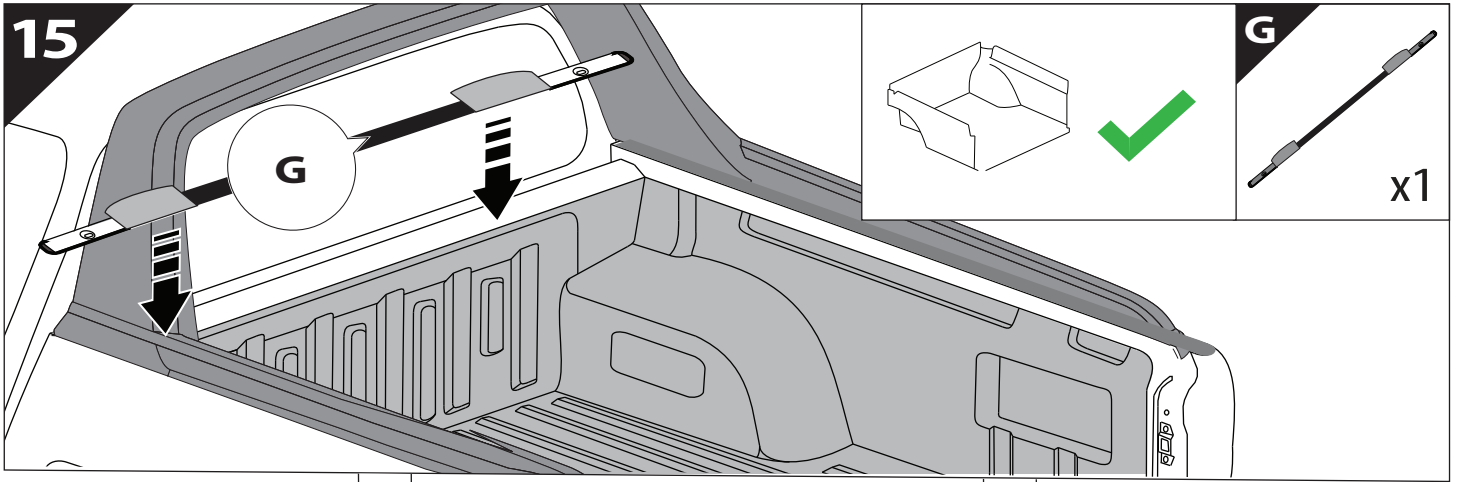
max: 2 mm

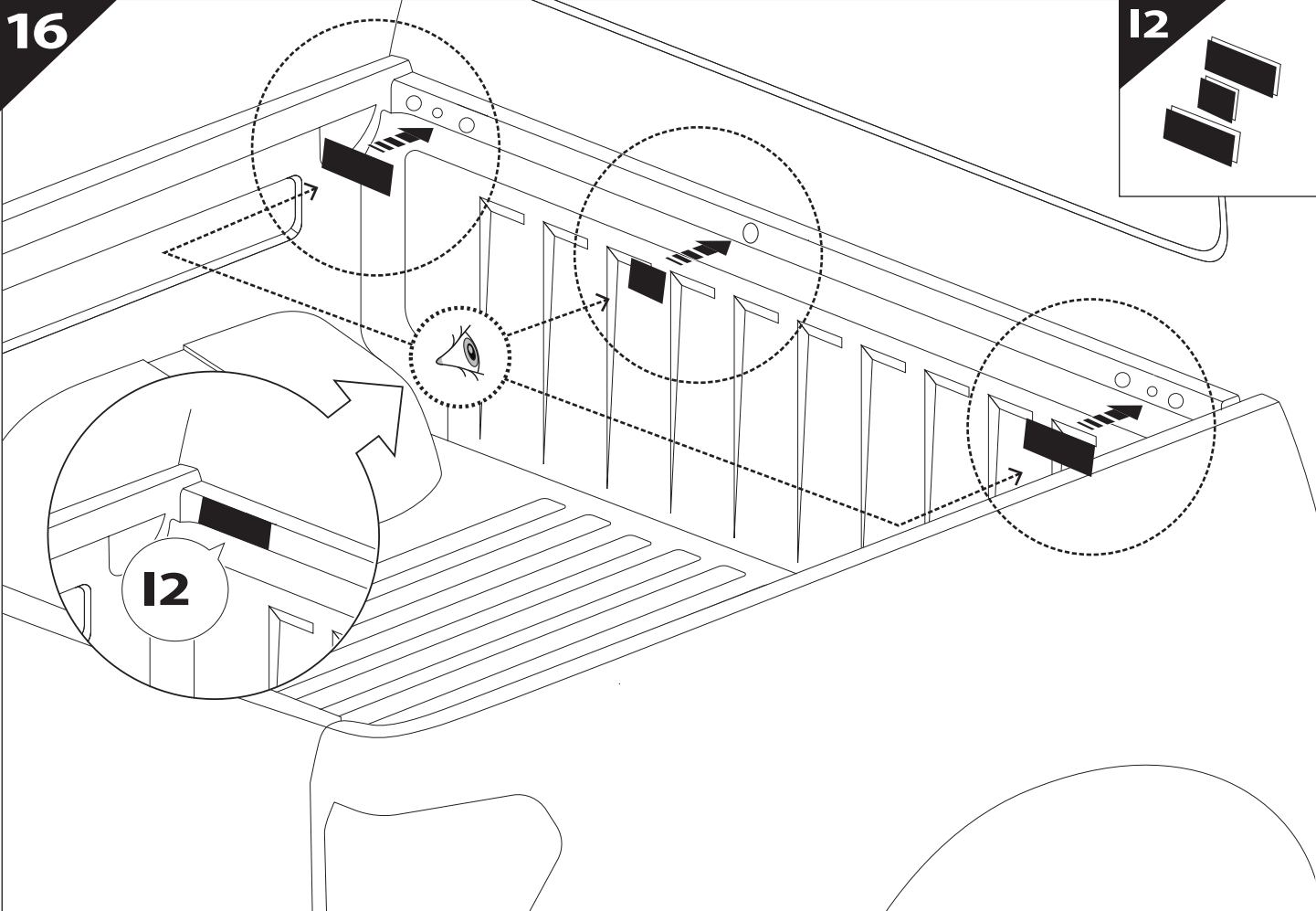


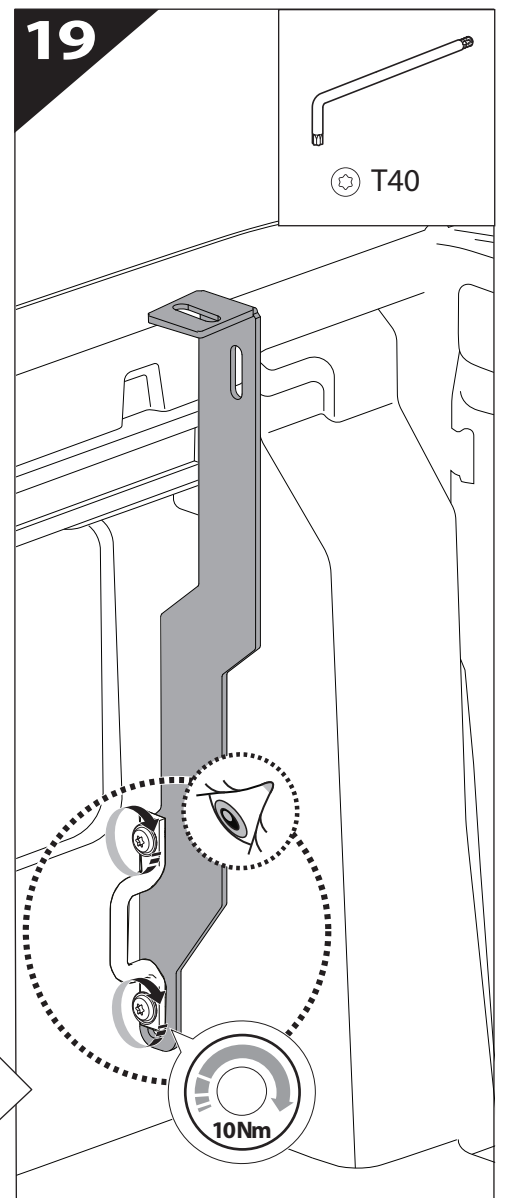
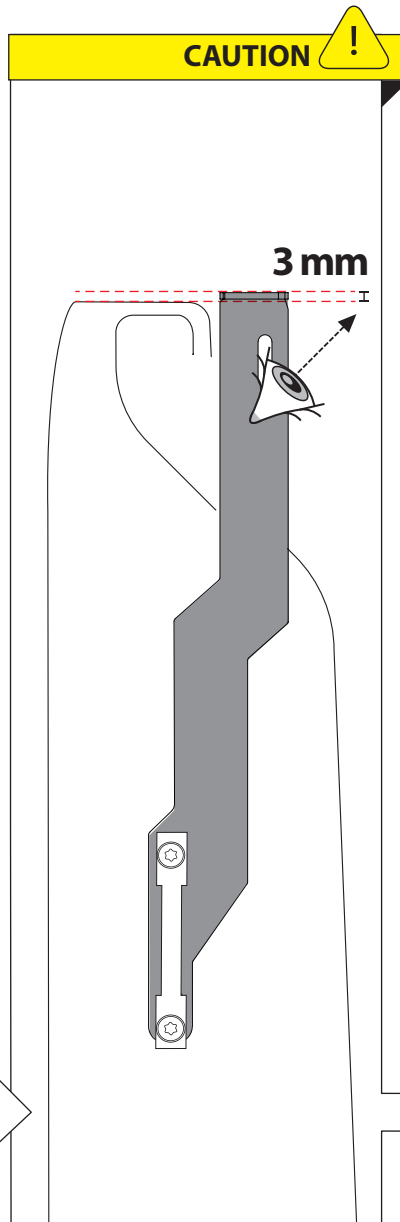
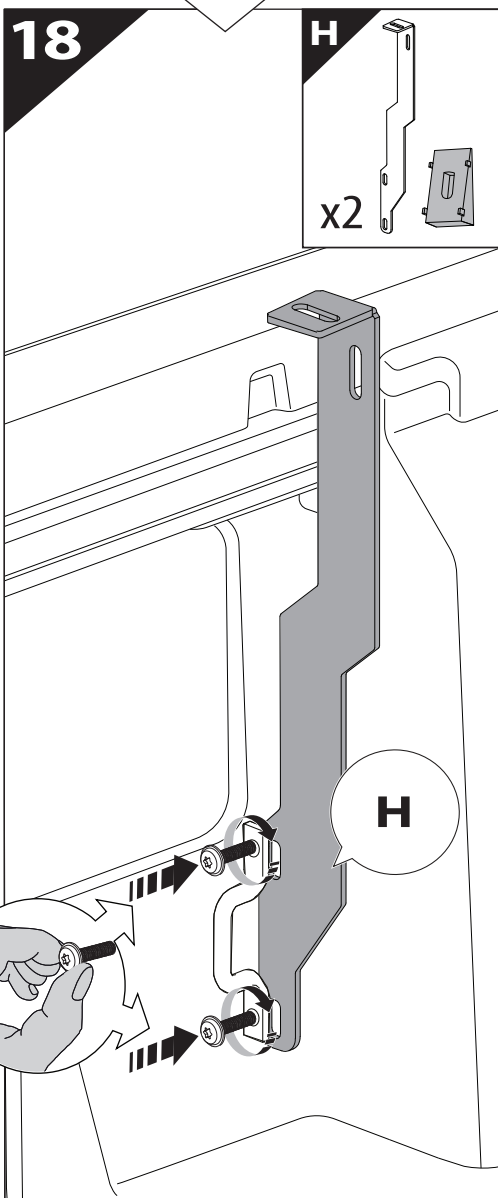
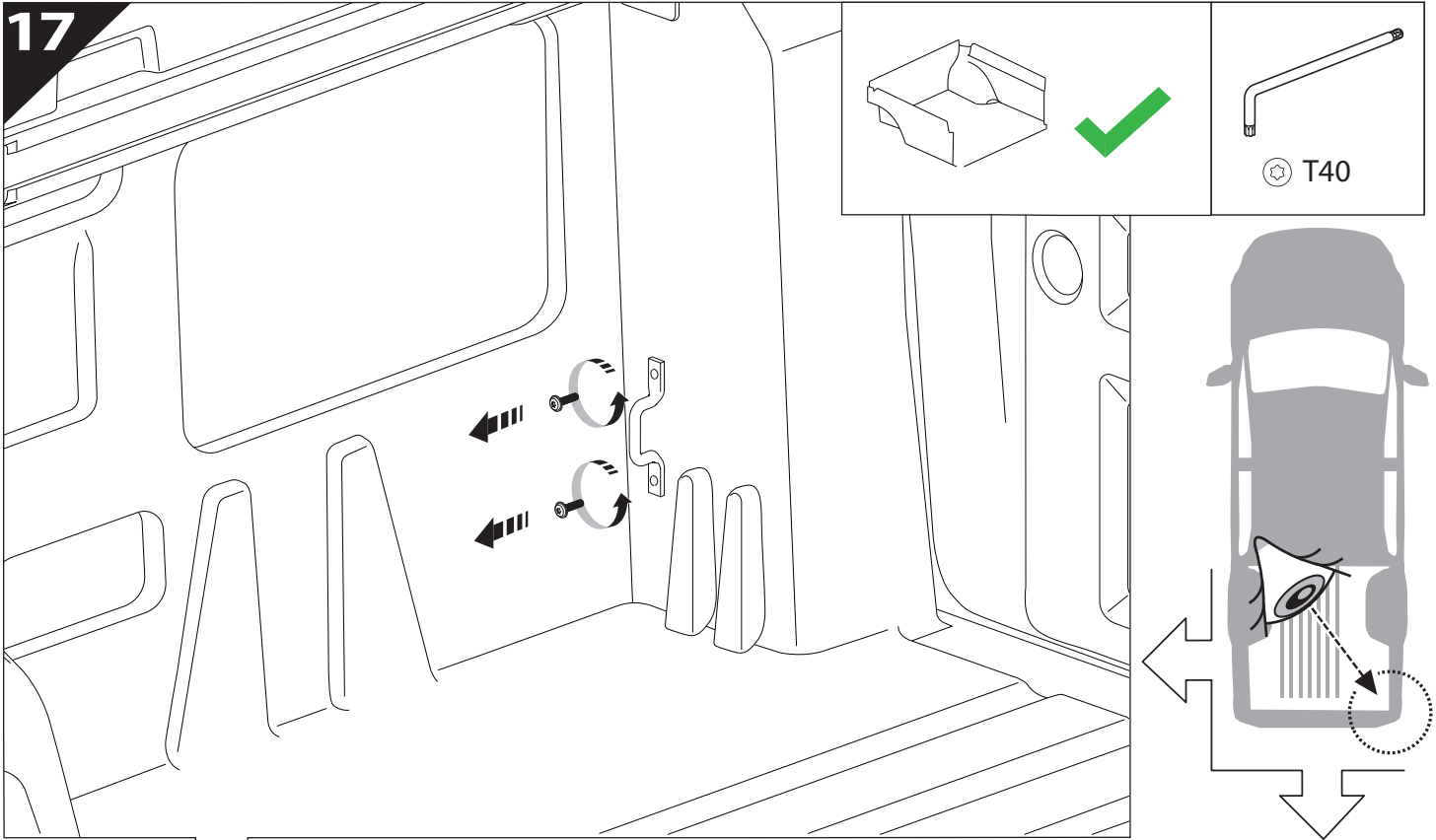
13



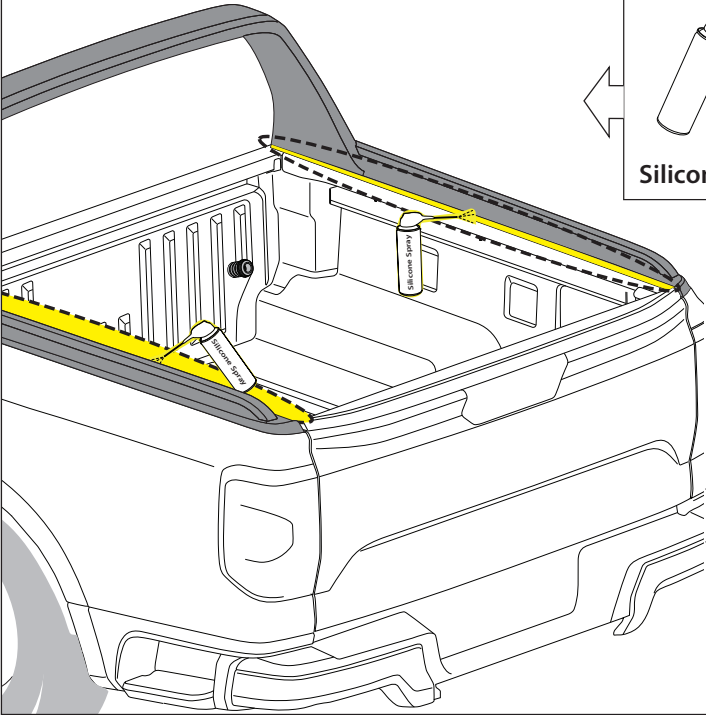




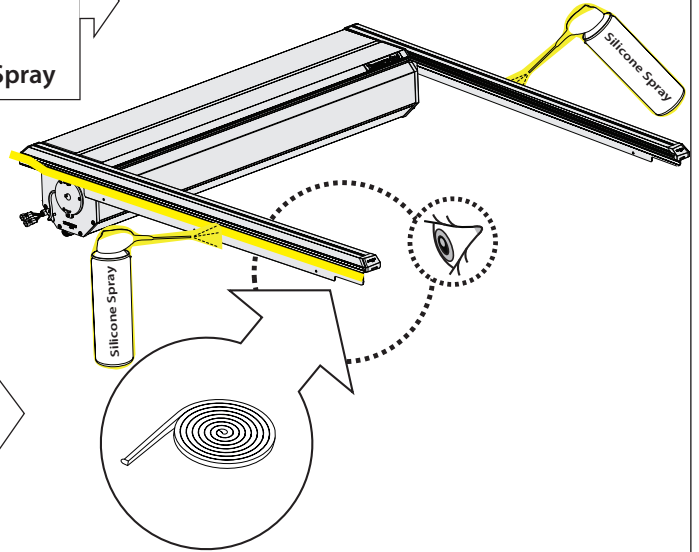
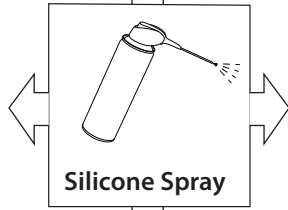




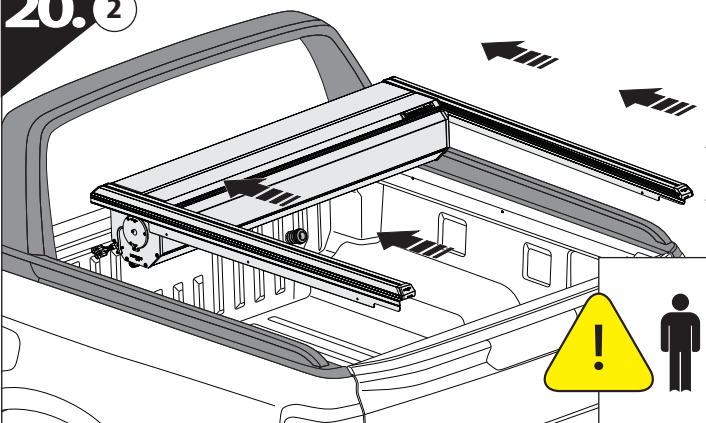
20



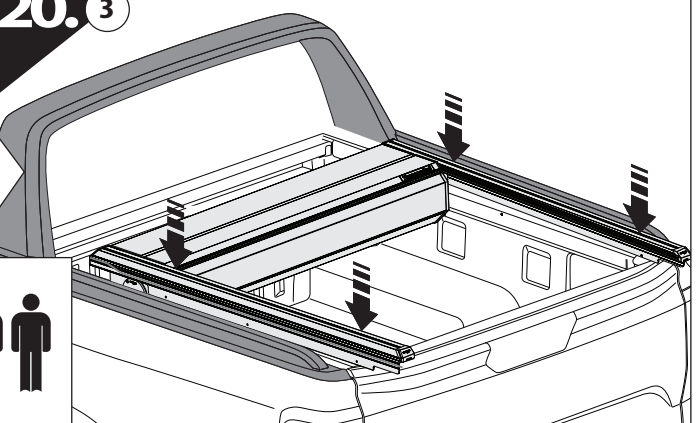
20.1



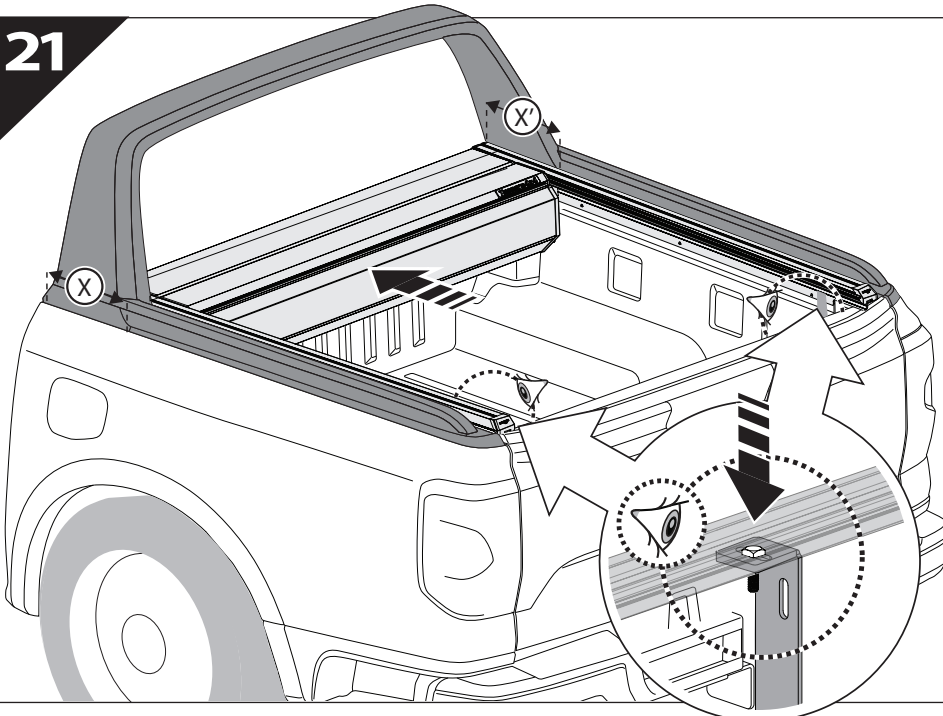
20.2

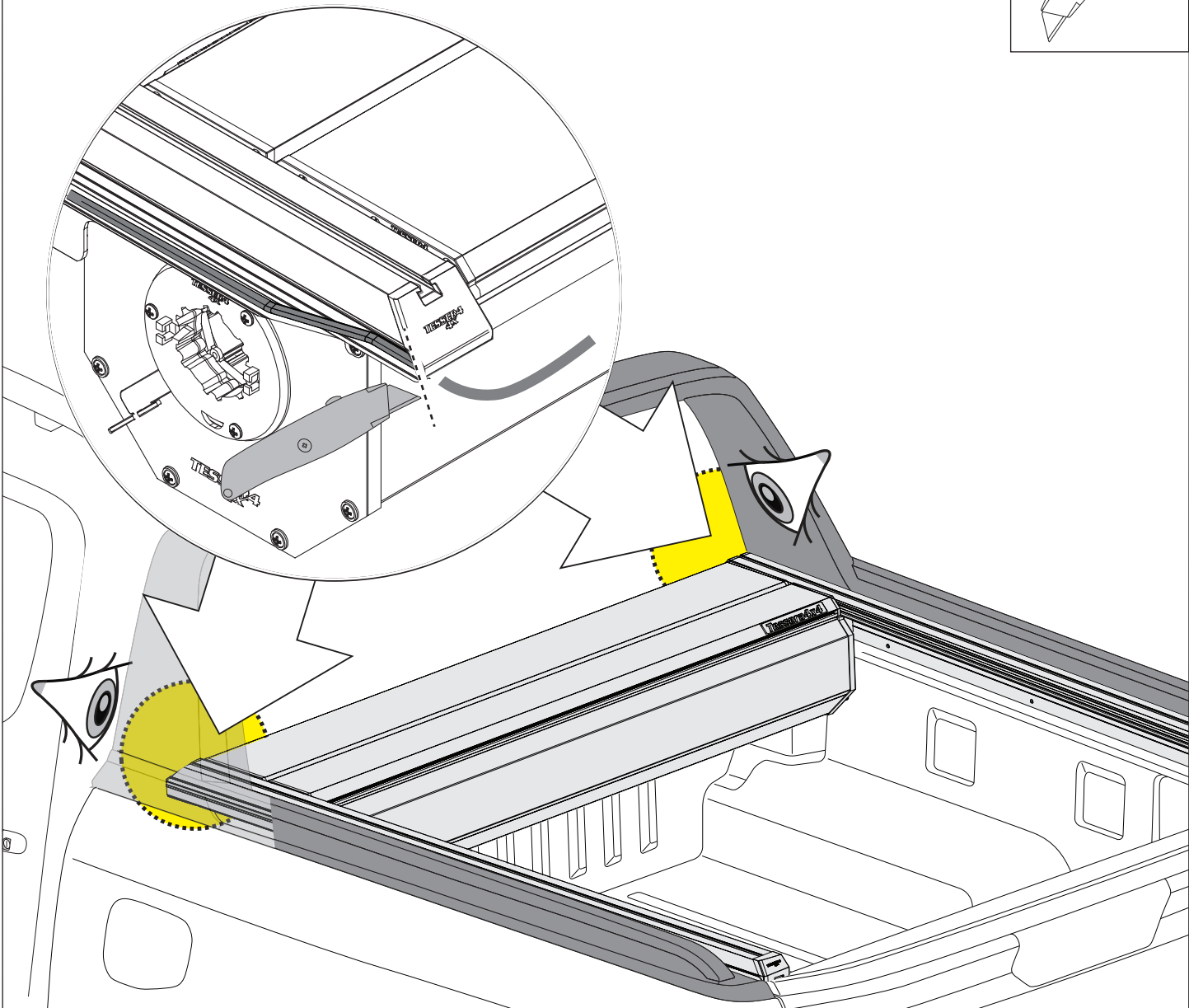
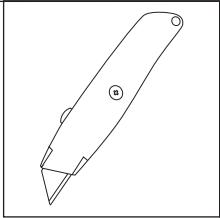


20.3

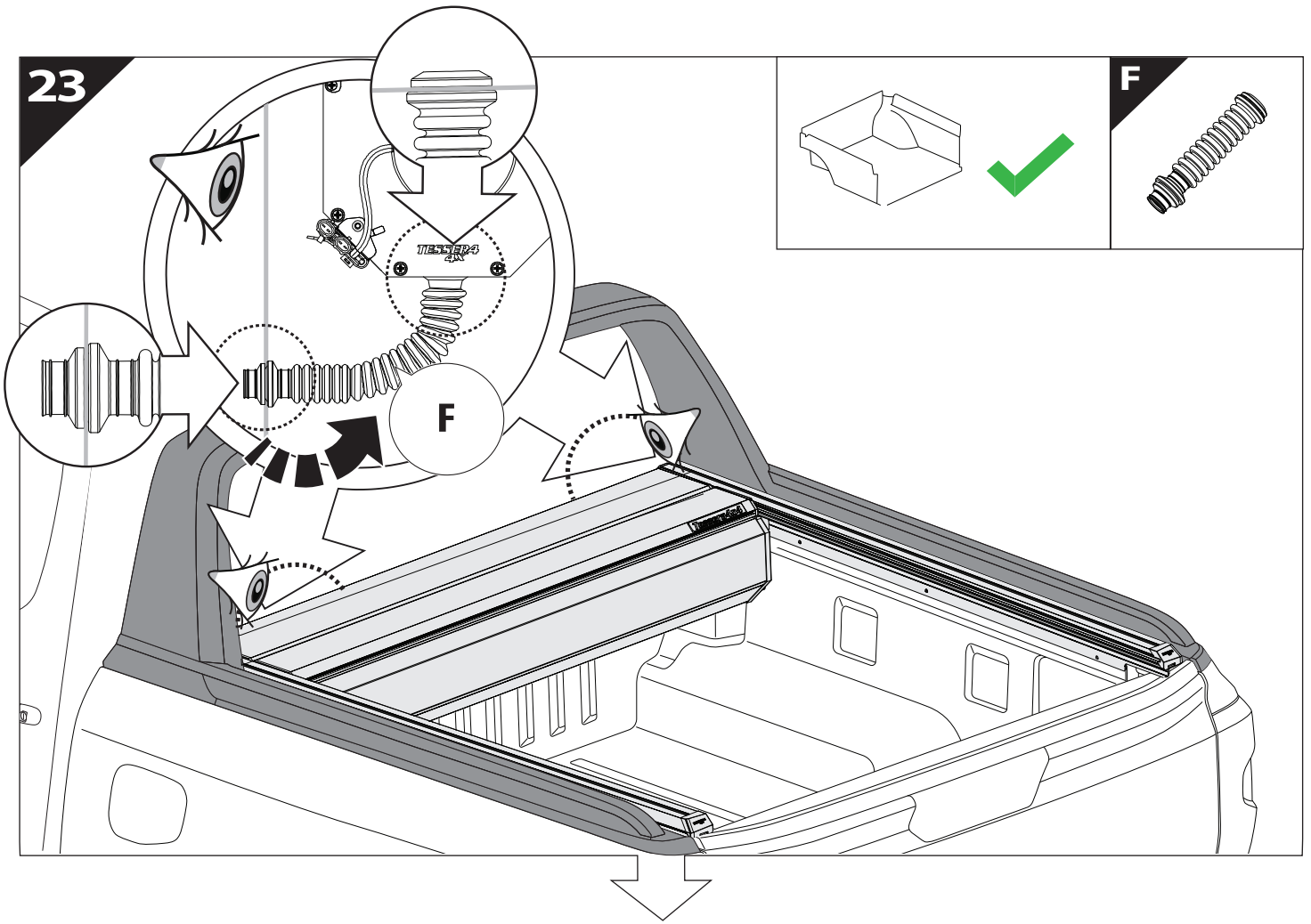


21

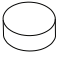


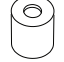





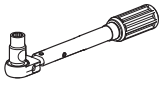
23



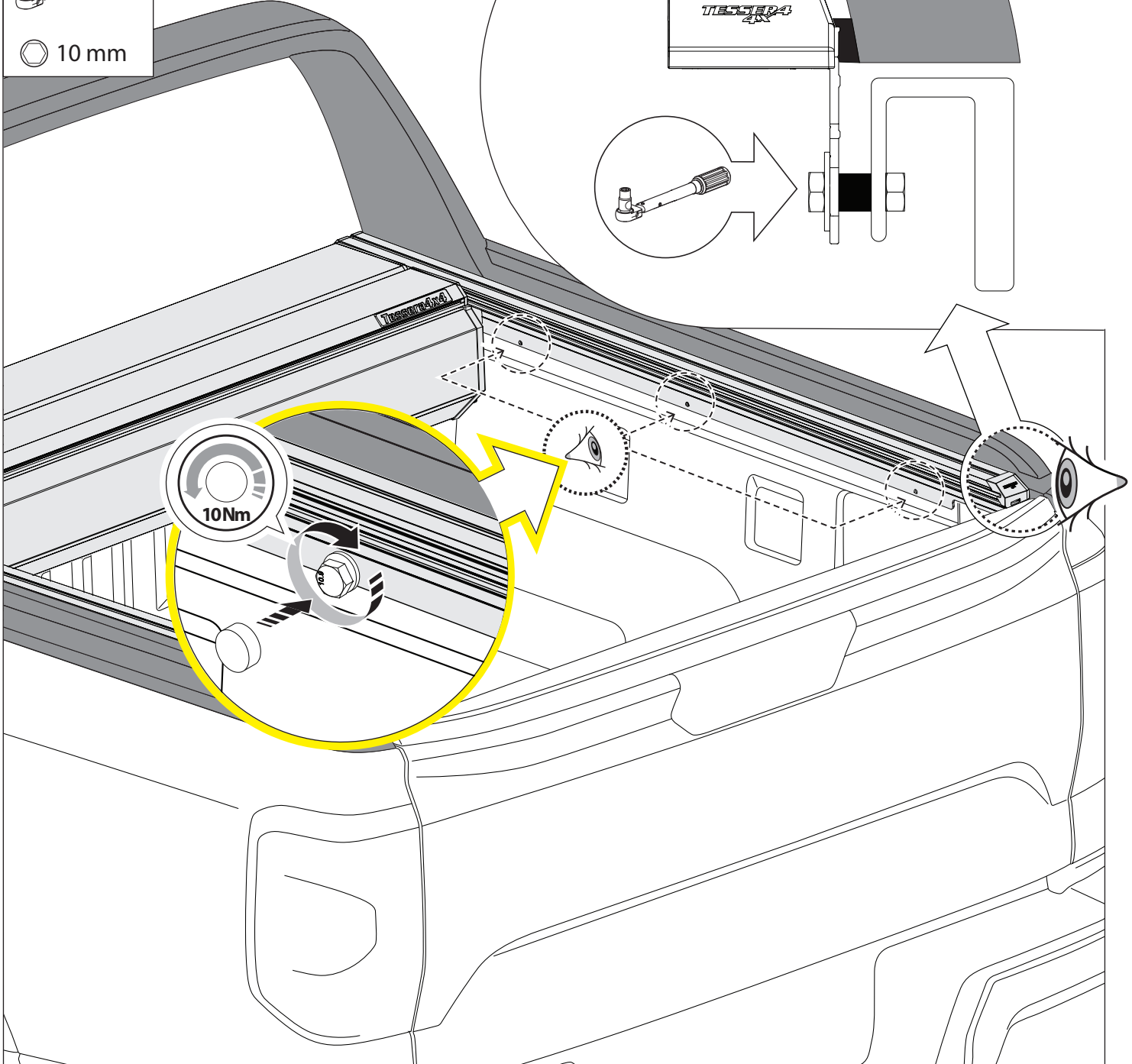
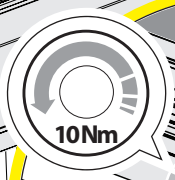
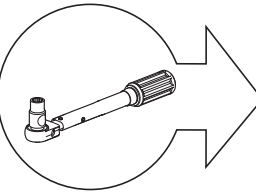
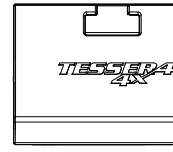
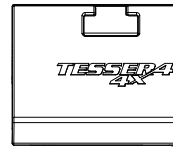
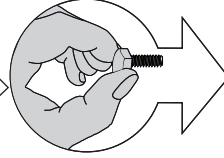
E2

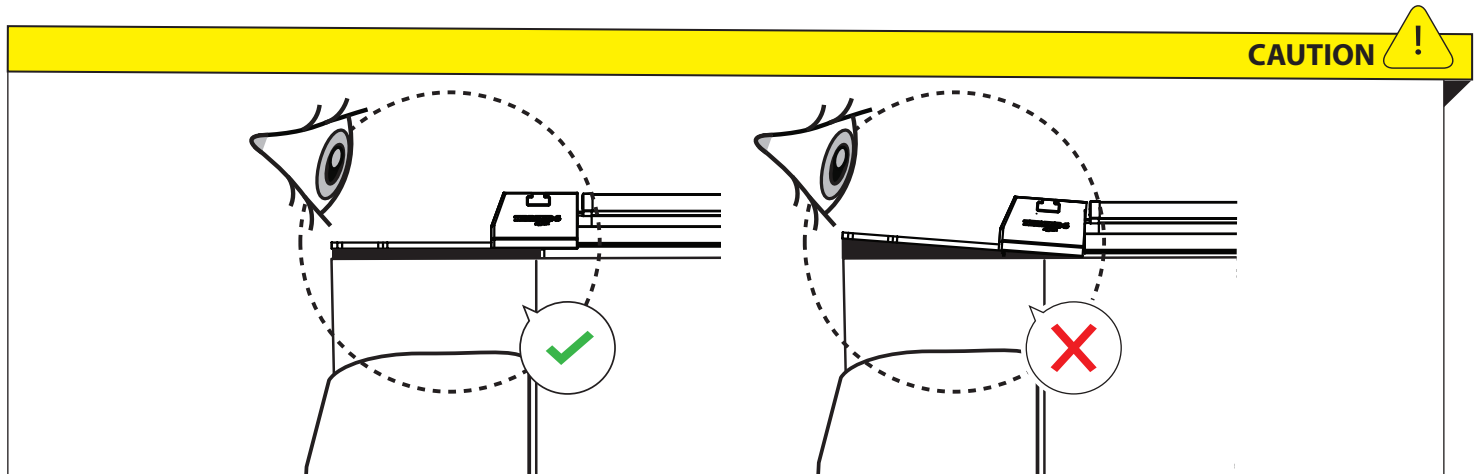
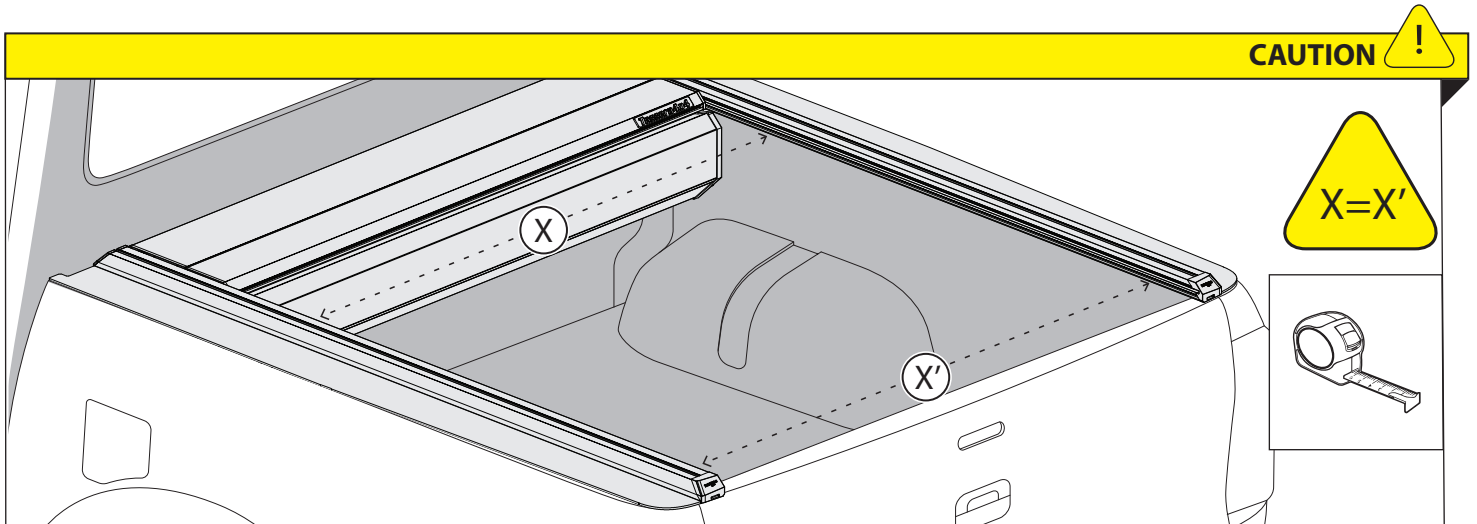
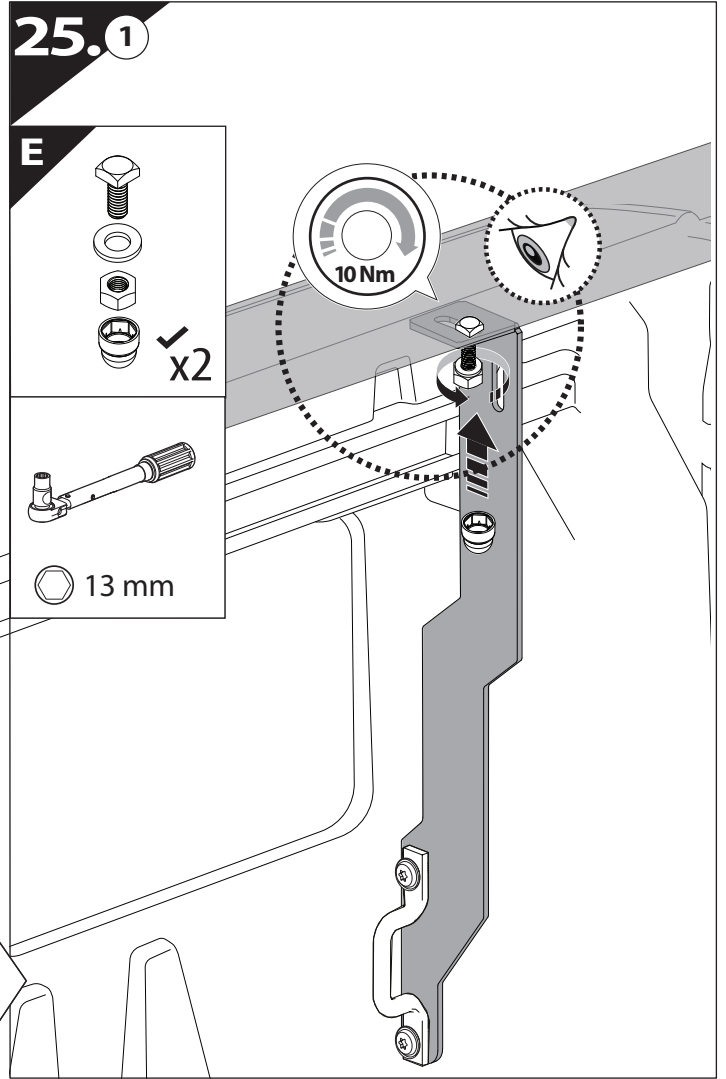
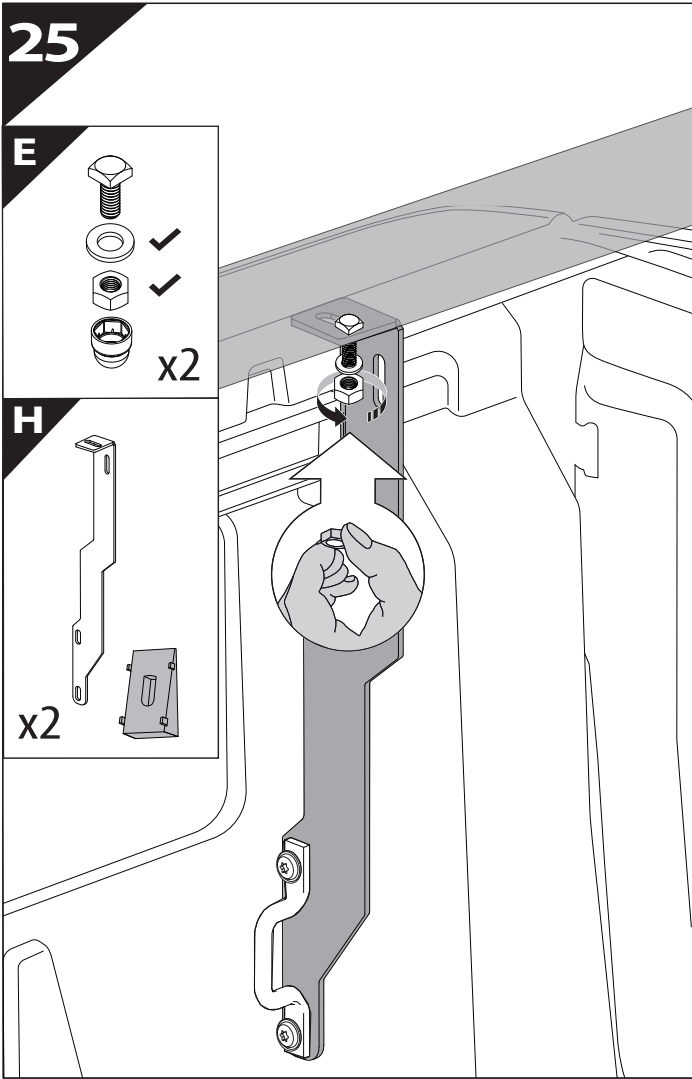
-  ✓
-  ✓
-  ✓
-  ✓
-  ✓

x6

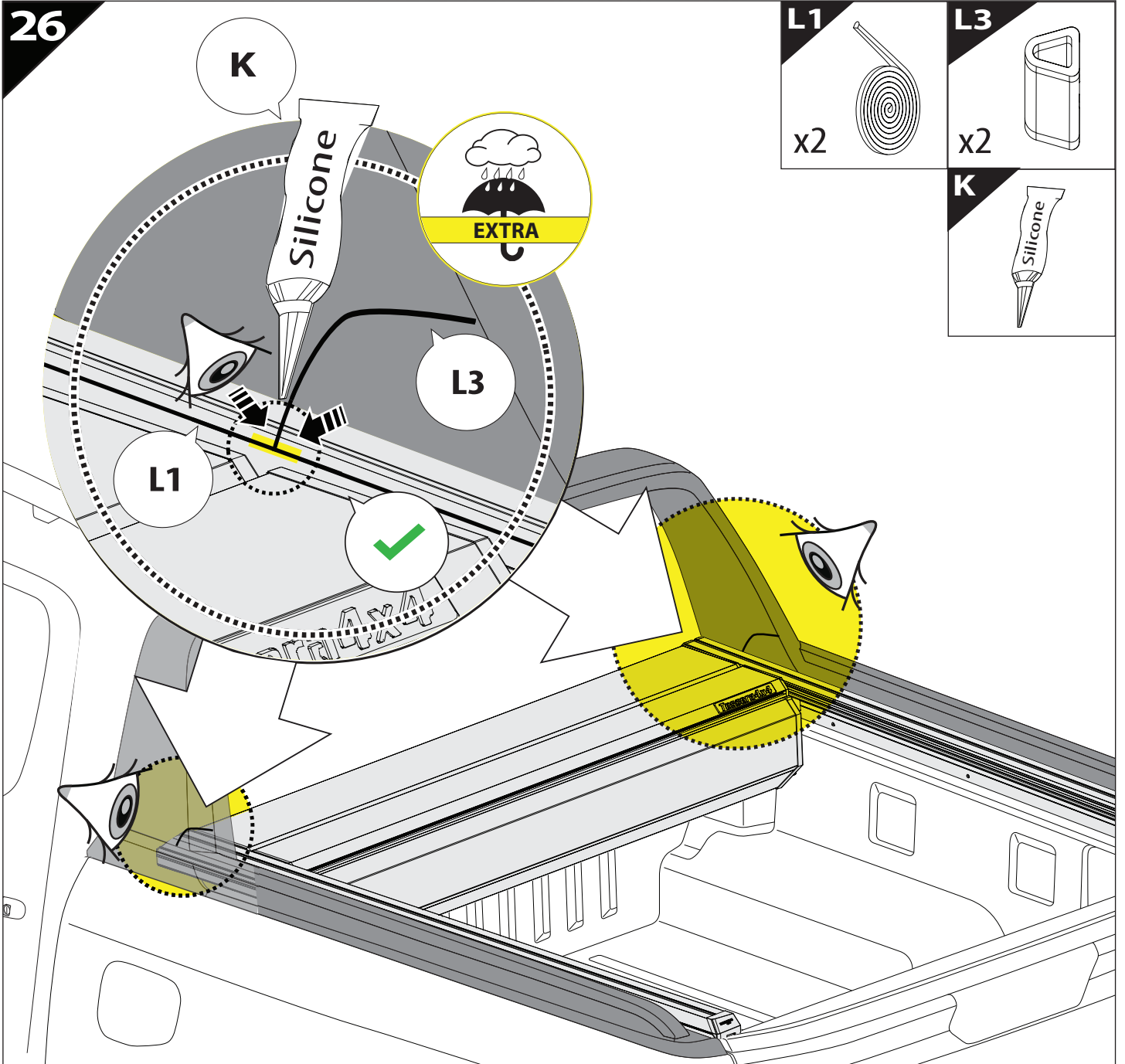


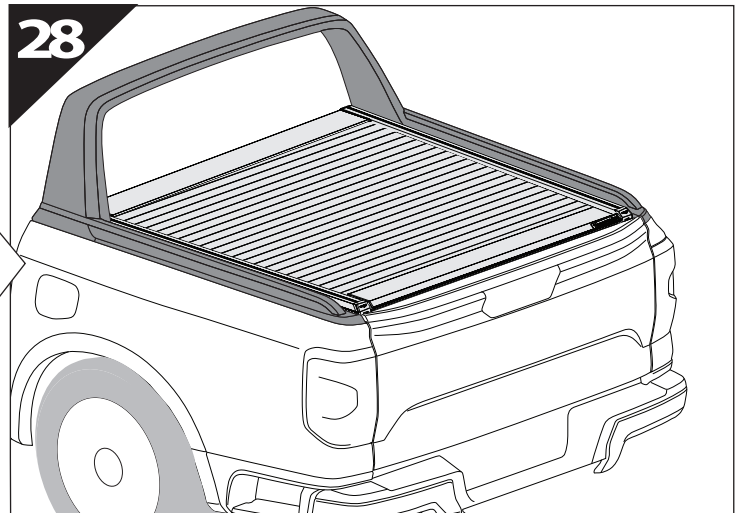
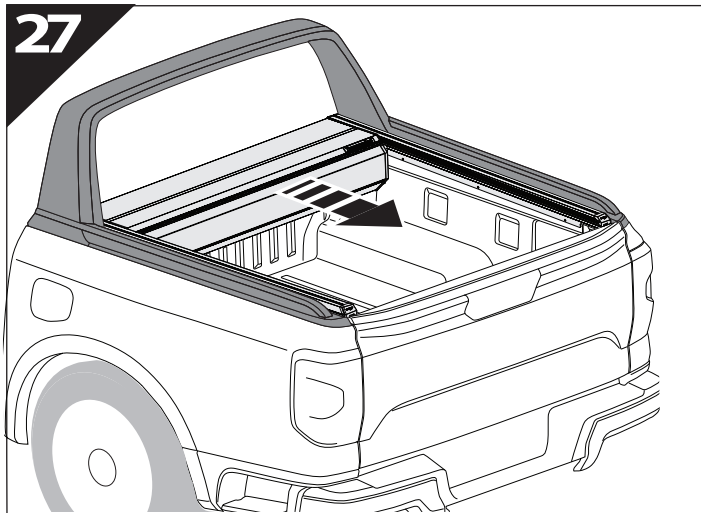
10 mm





26





GR: Οδηγίες Εγκατάστασης
GB: Installation manual
SF: Asennusohje
F: Notice de montage
PL: Instrukcja montażu
NL: Installatie-instructies
TR: Montaj Talimatı
S: Monteringsanvisning
E: Instrucciones de montaje

H: Szerelési utasítás
P: Instruções de instalação
RUS: Инструкция по установке
N: Monteringsveiledning
D: Einbauanleitung
CZ: Návod k instalaci
I: Istruzioni de montaggio
DK: Monteringsvejledning
RO: Instructiuni de instalare

Customer Service:

+30 (210) 5541161, +30 (210) 5541154 (08:00 - 16:00 EET)

Support department:

info@gianso.gr

Website:

www.tessera4x4.com

Address:

19.5 km of National road Athens-Korinthos (Elefsina) Greece, P.C: 19200