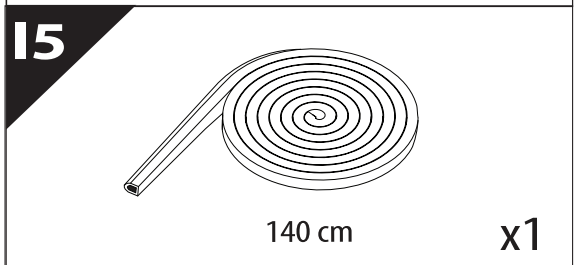
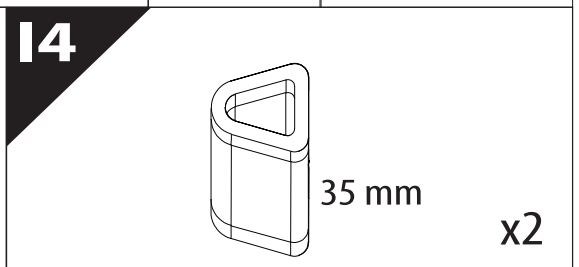
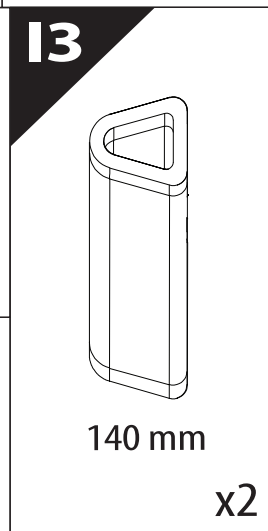
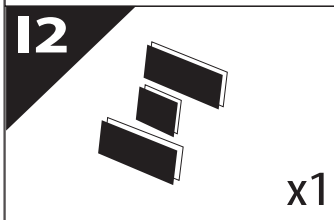
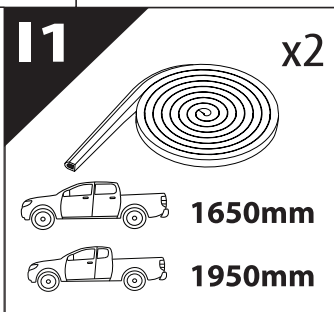
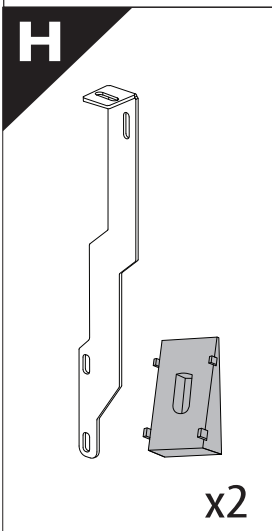
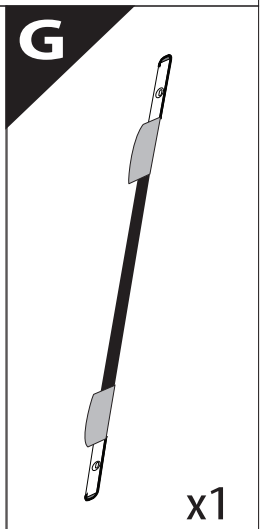
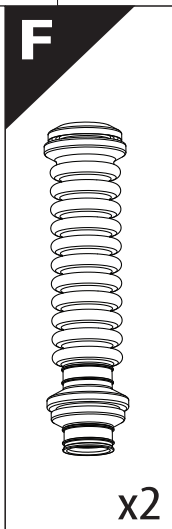
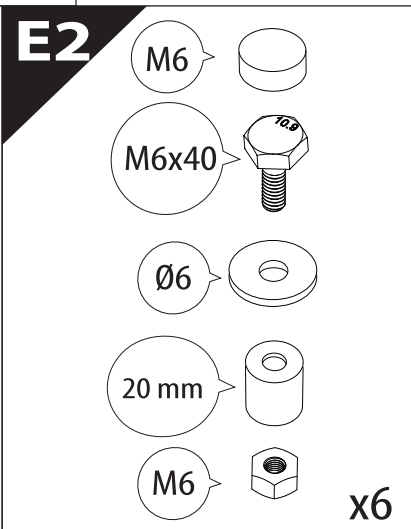
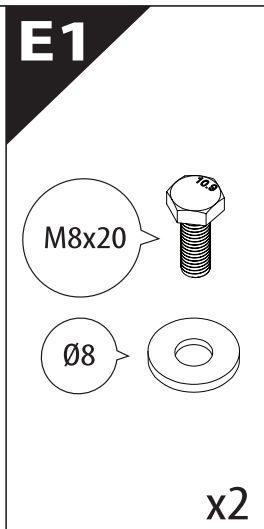
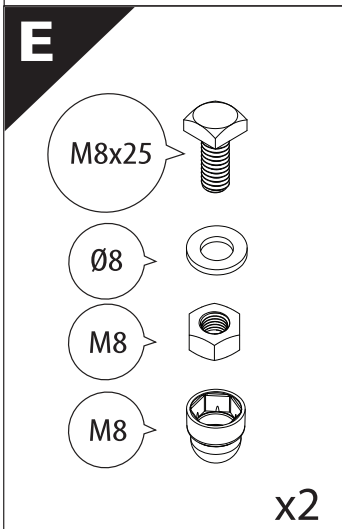
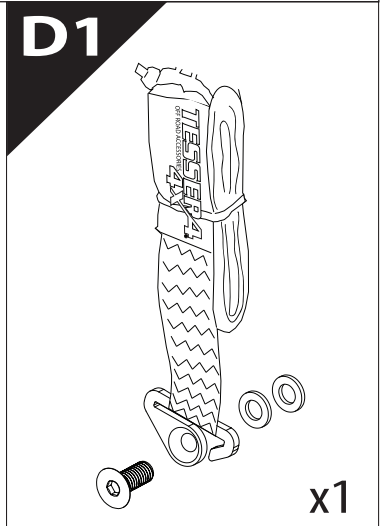
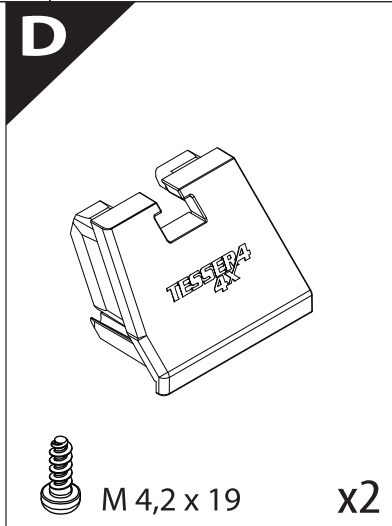
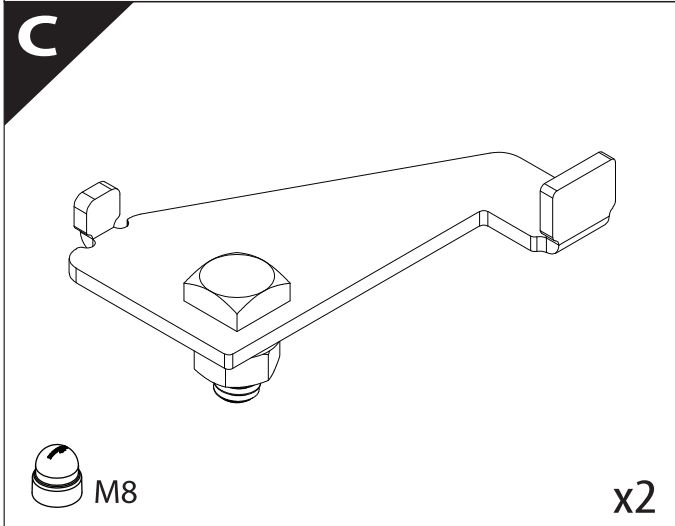
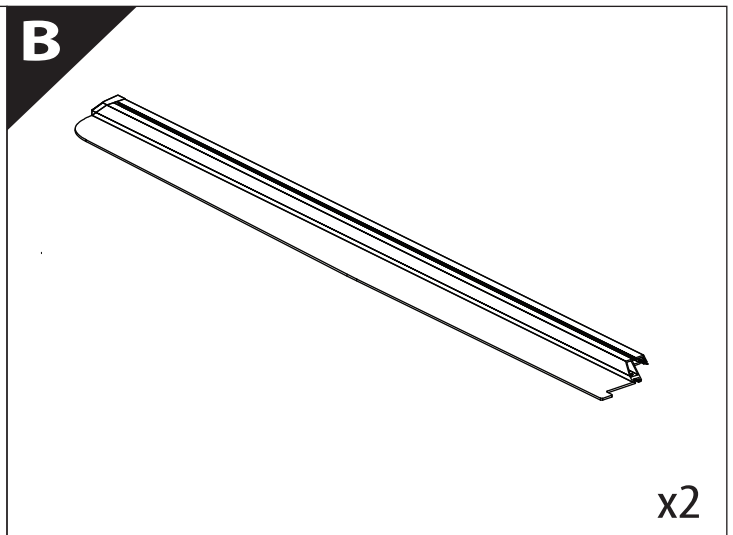
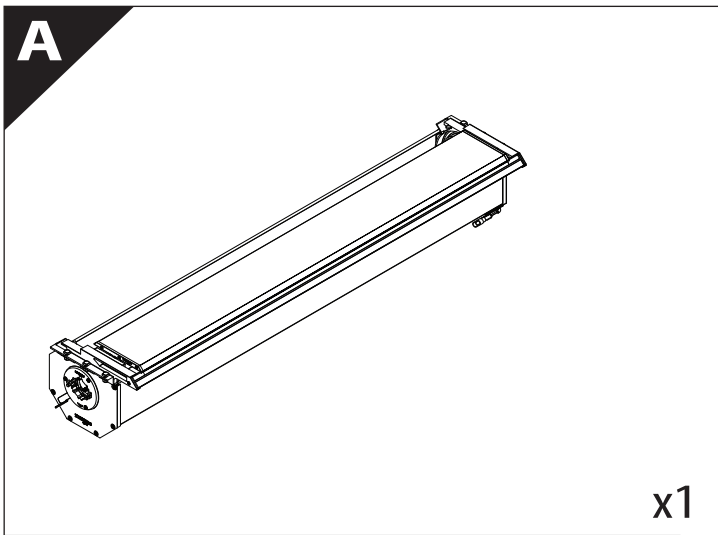
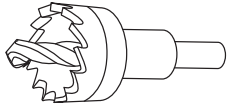


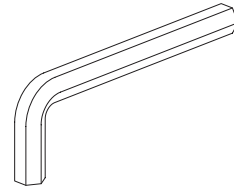
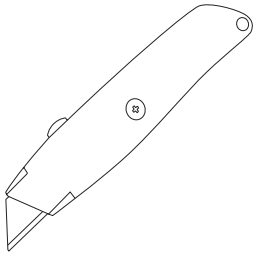
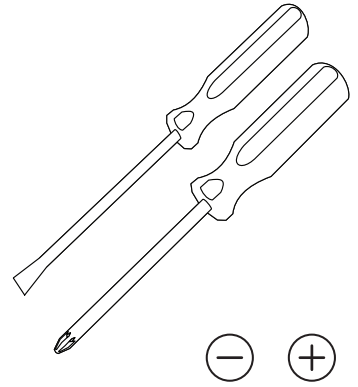
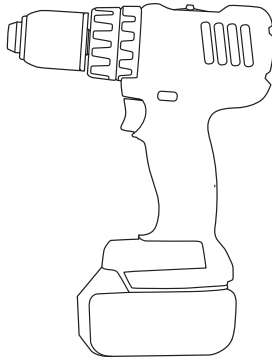
Installation Manual

PART NUMBER(S)	Model Year
TESS 15080 SE	FORD RANGER WILDTRAK 2023+ OEM ROLL BAR
TESS 15090 SE	
Cab(s)	Installation Time / Weight
Double Cab & Space cab	40-60 minutes / 53-57 kg



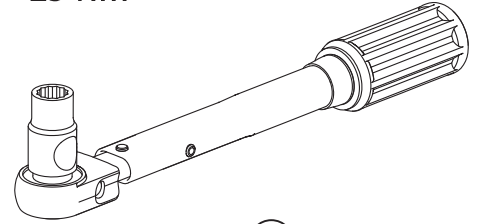


Ø 25 mm

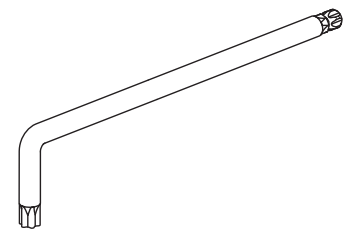
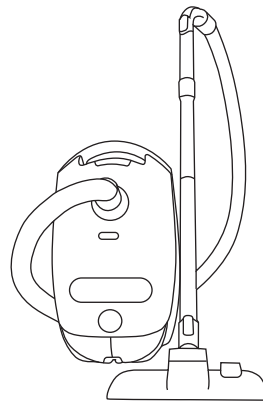
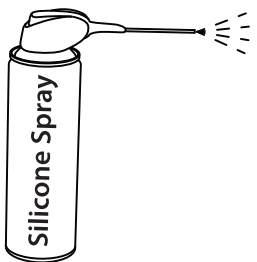
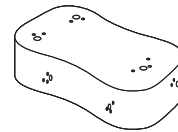
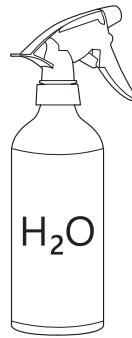
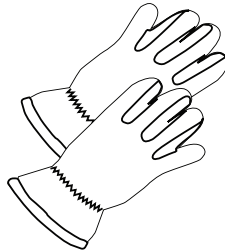
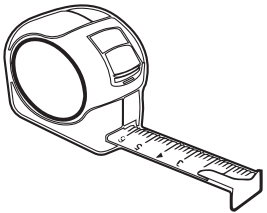


4 mm

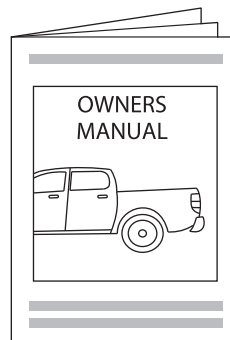
1 - 25 Nm



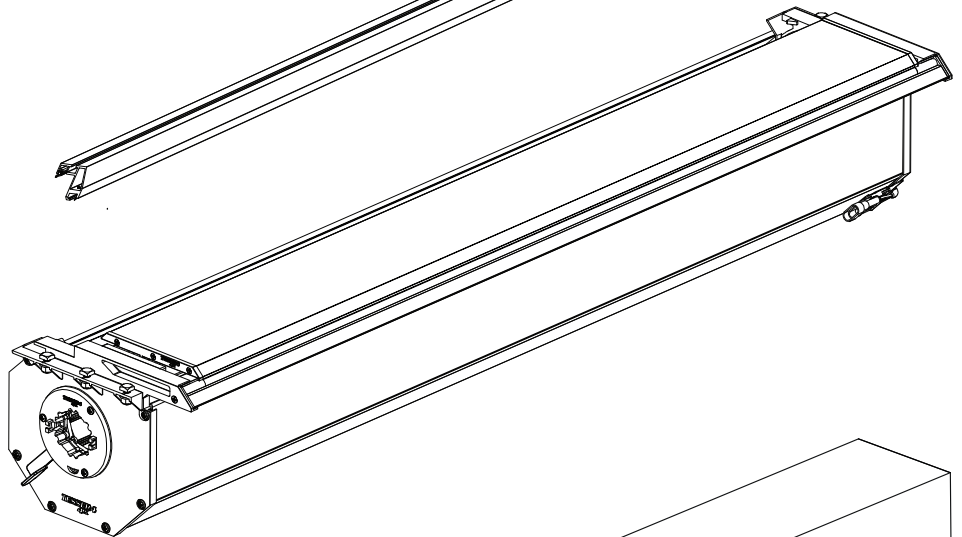
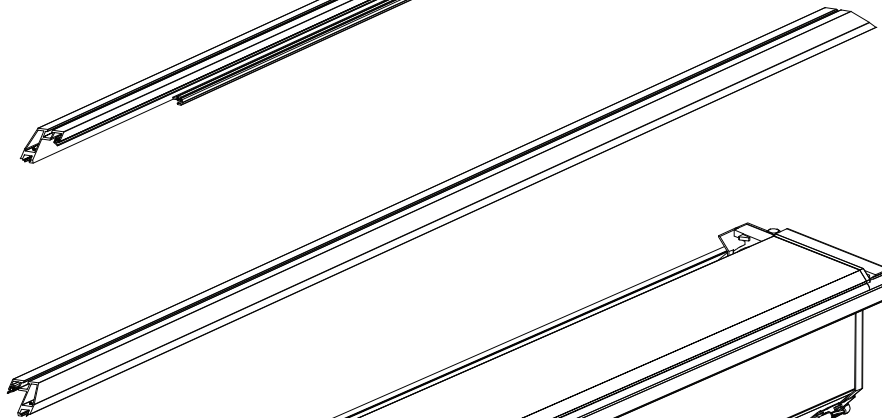
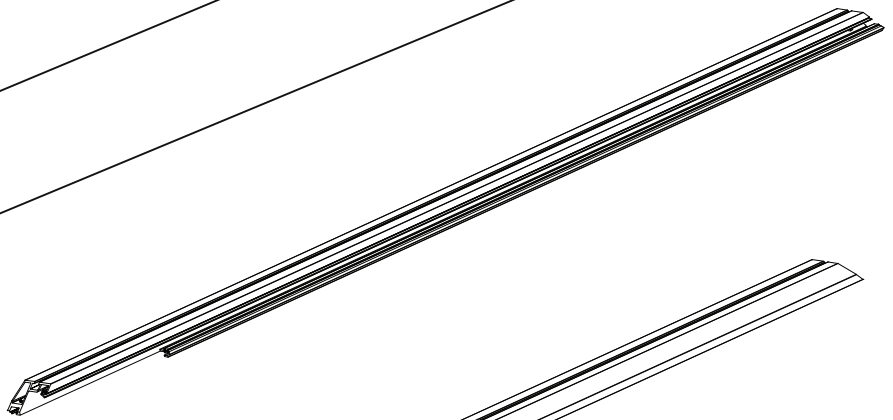
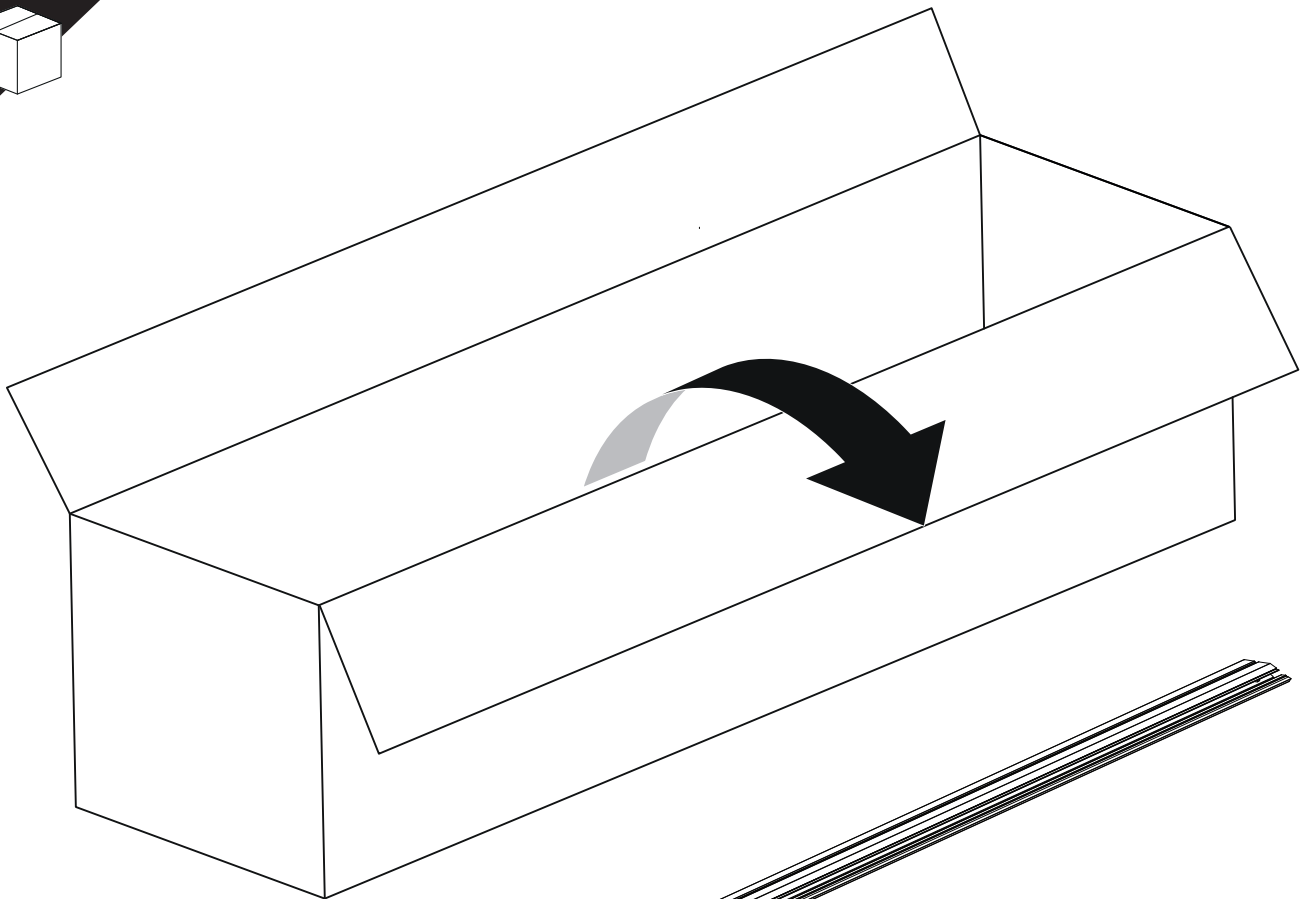
13, 17 mm



T30, T40



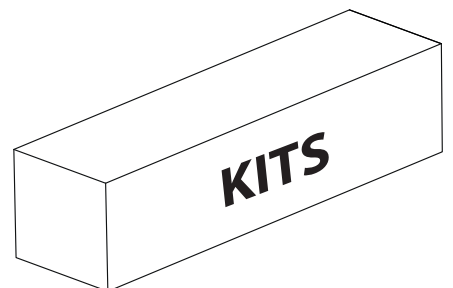
x1



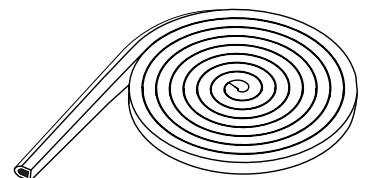
B

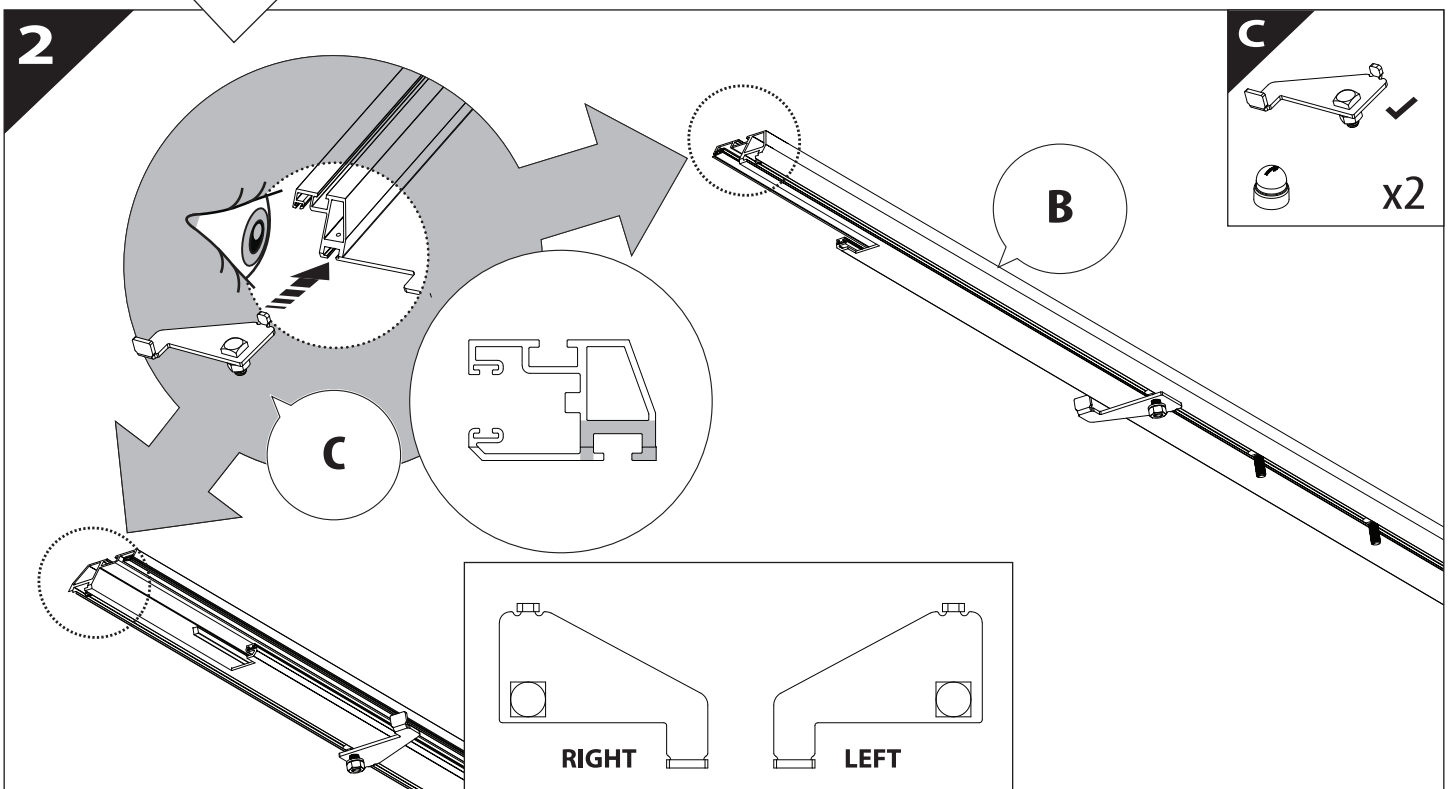
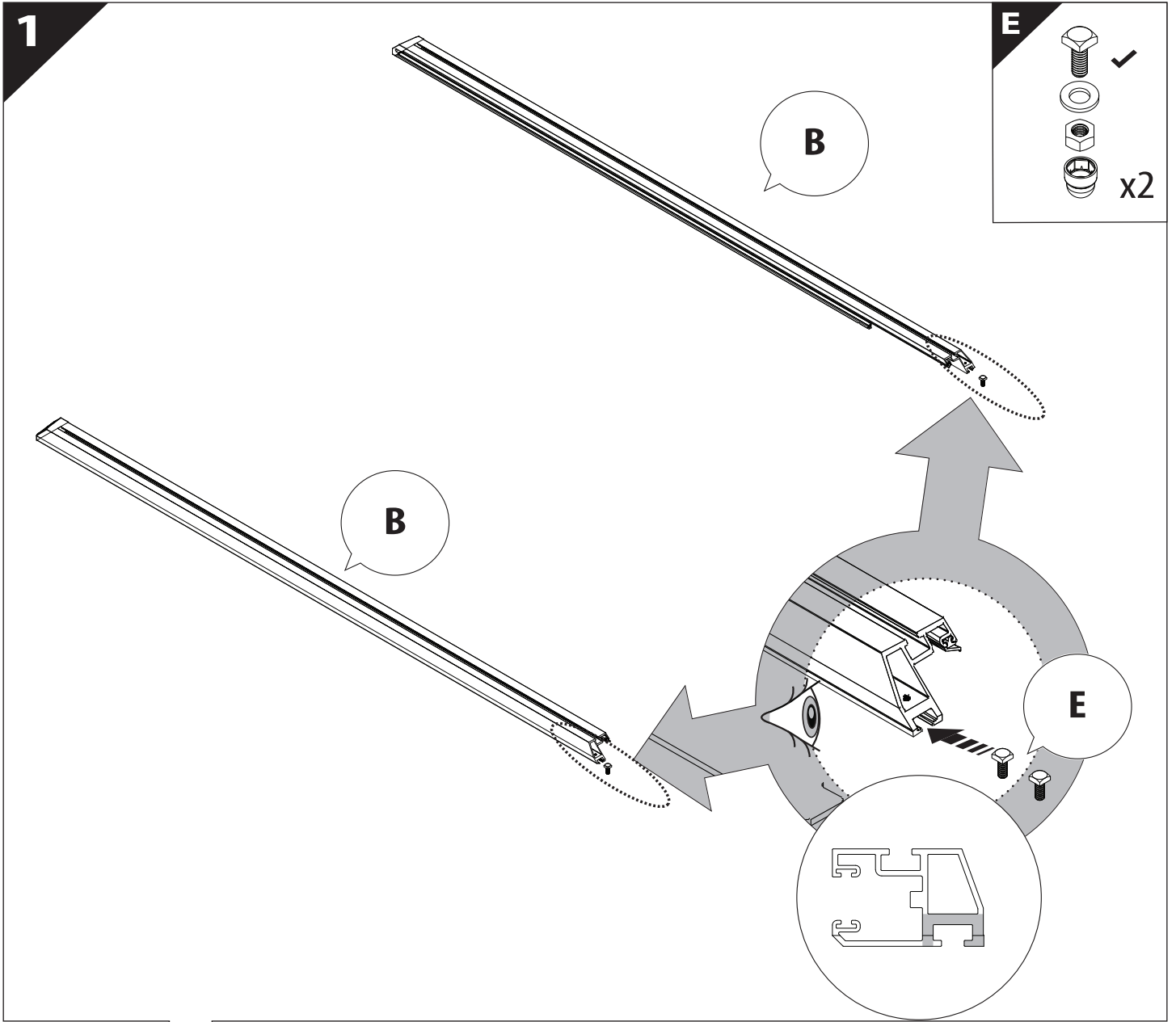
A

KITS

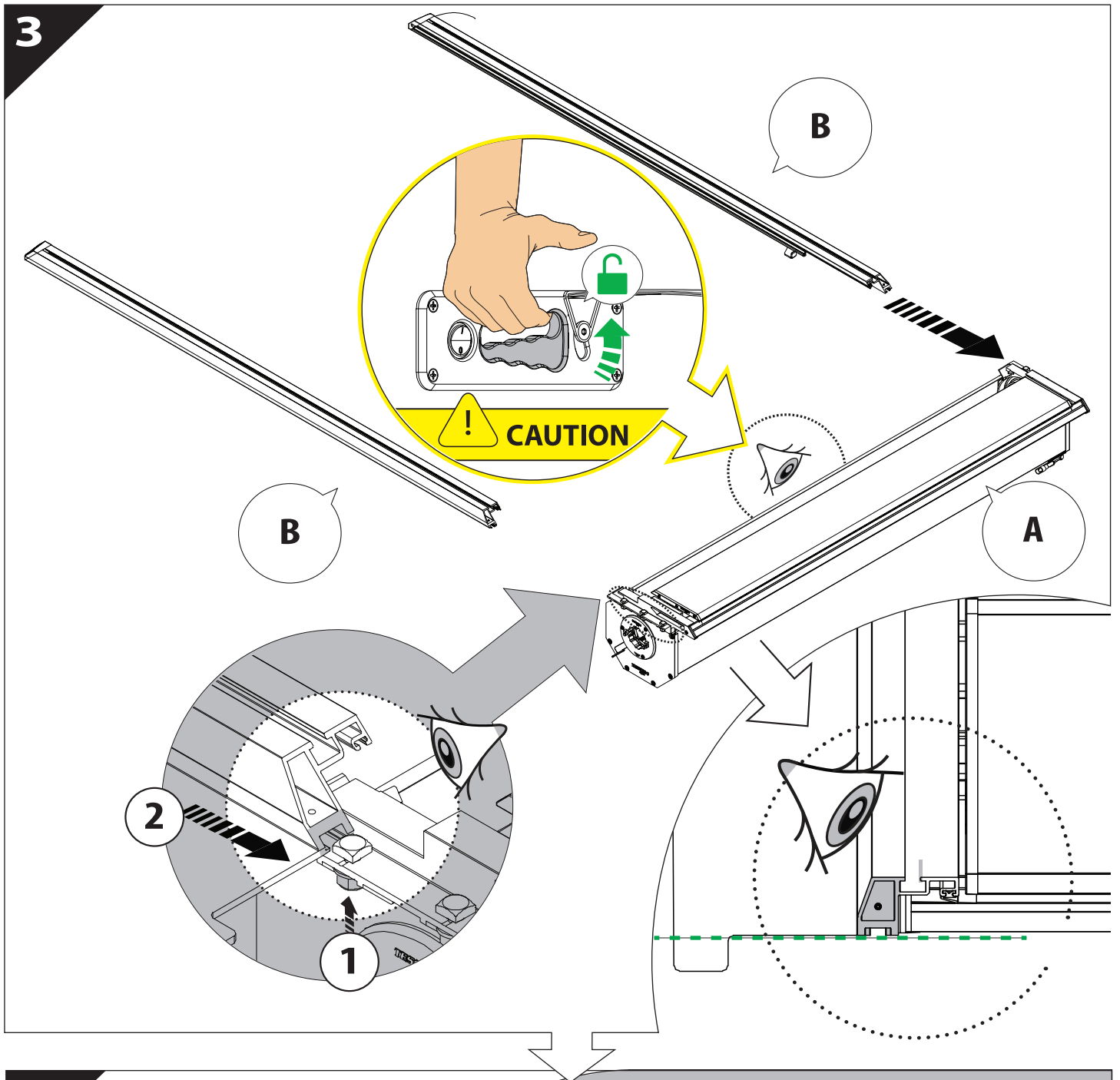


I

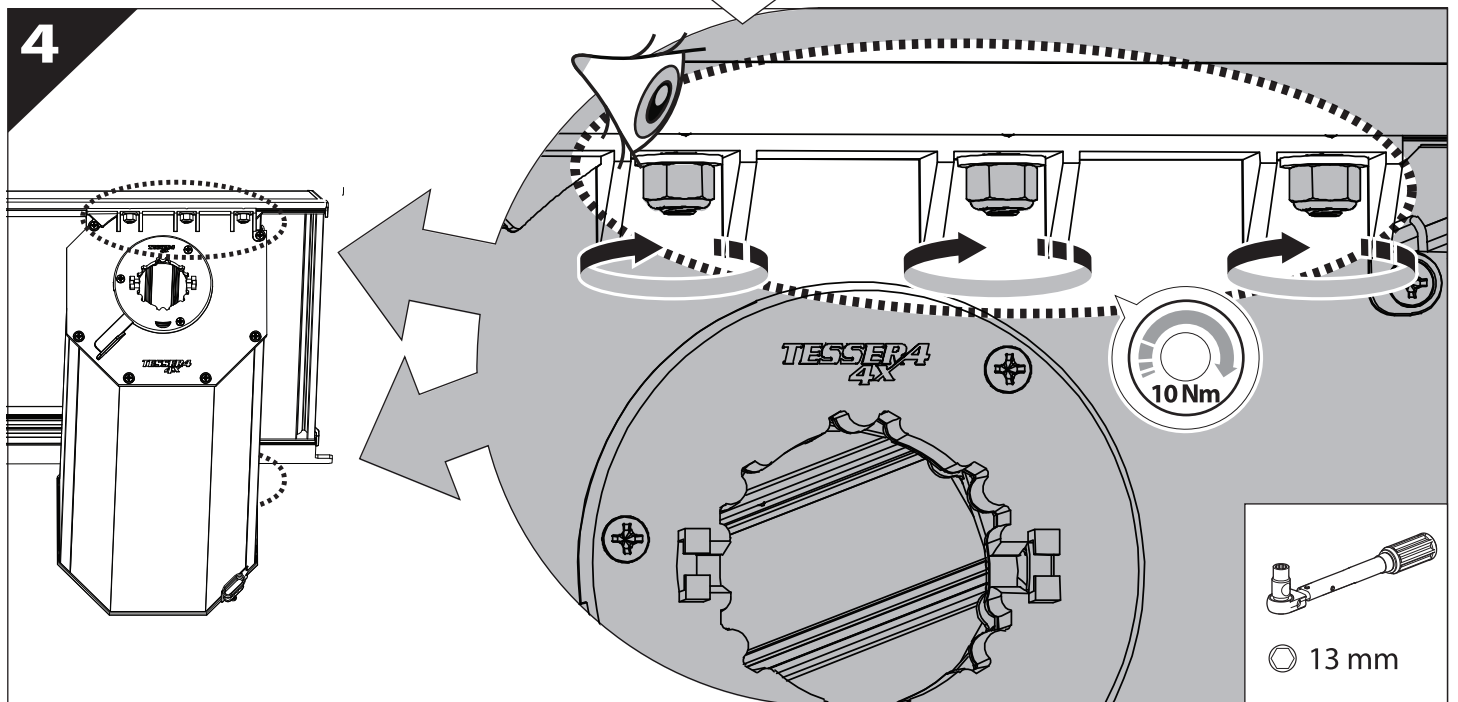


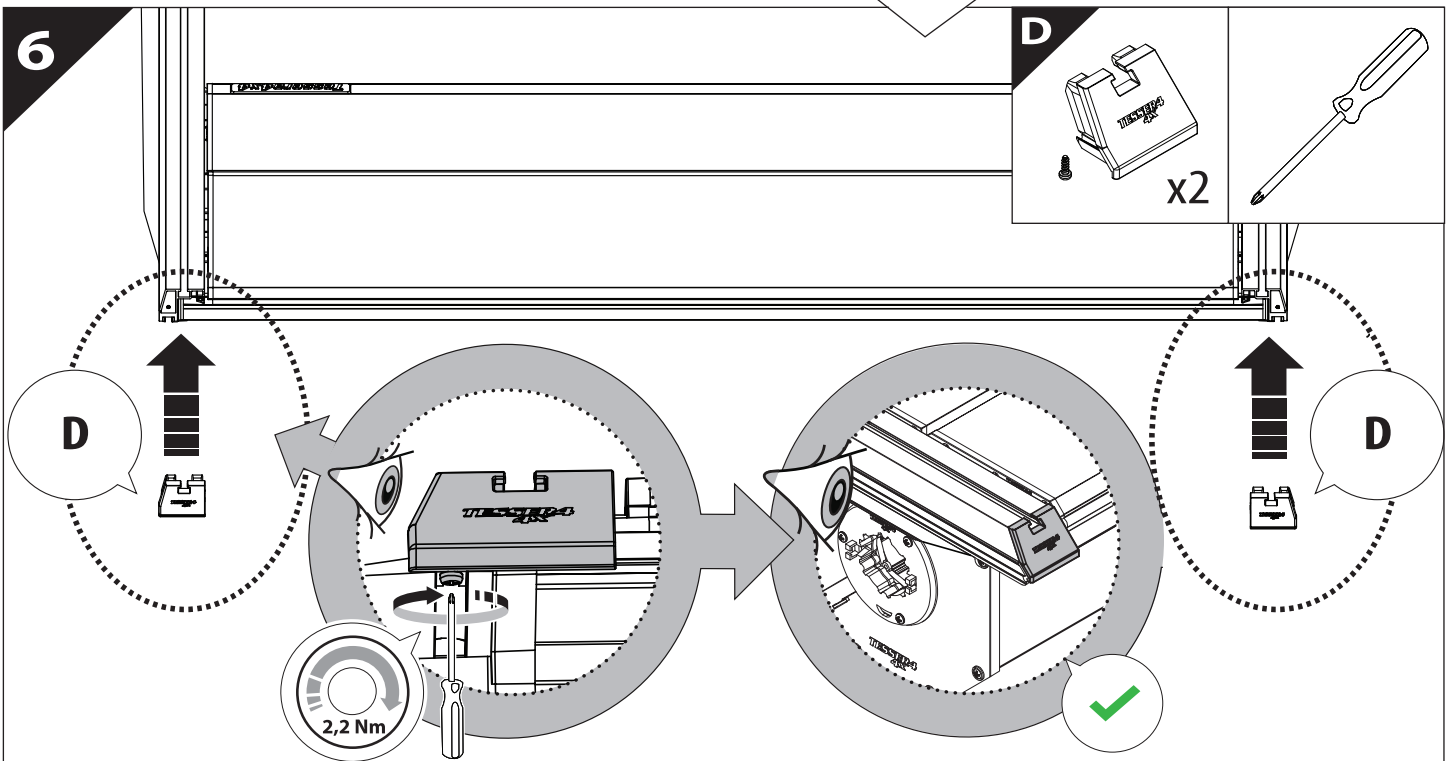
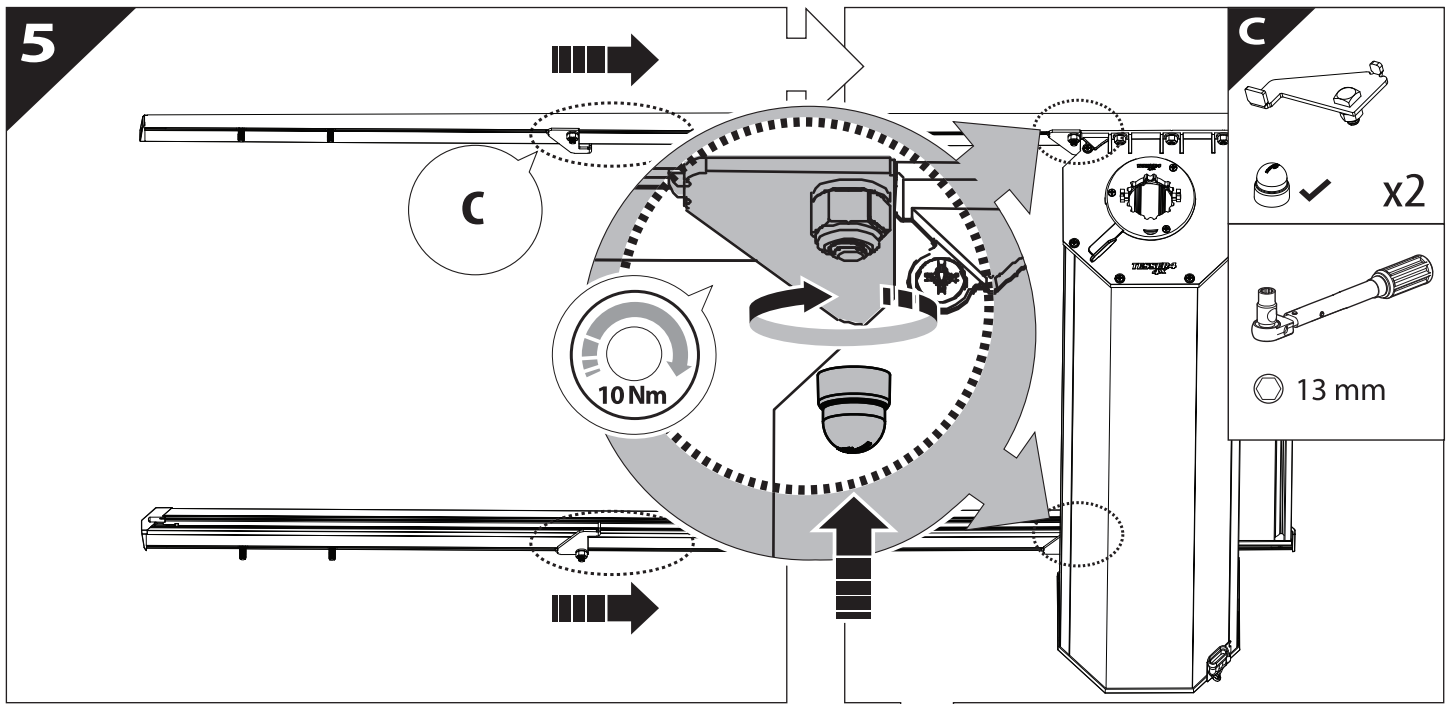


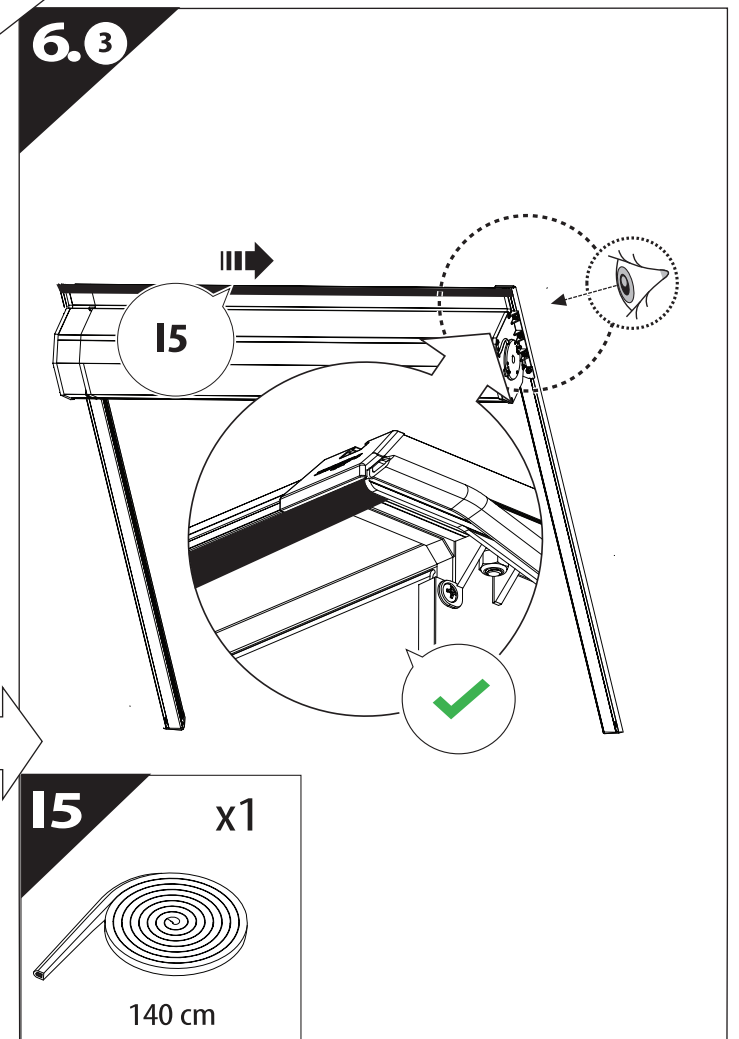
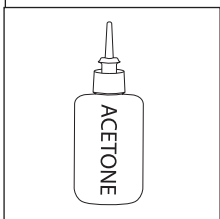
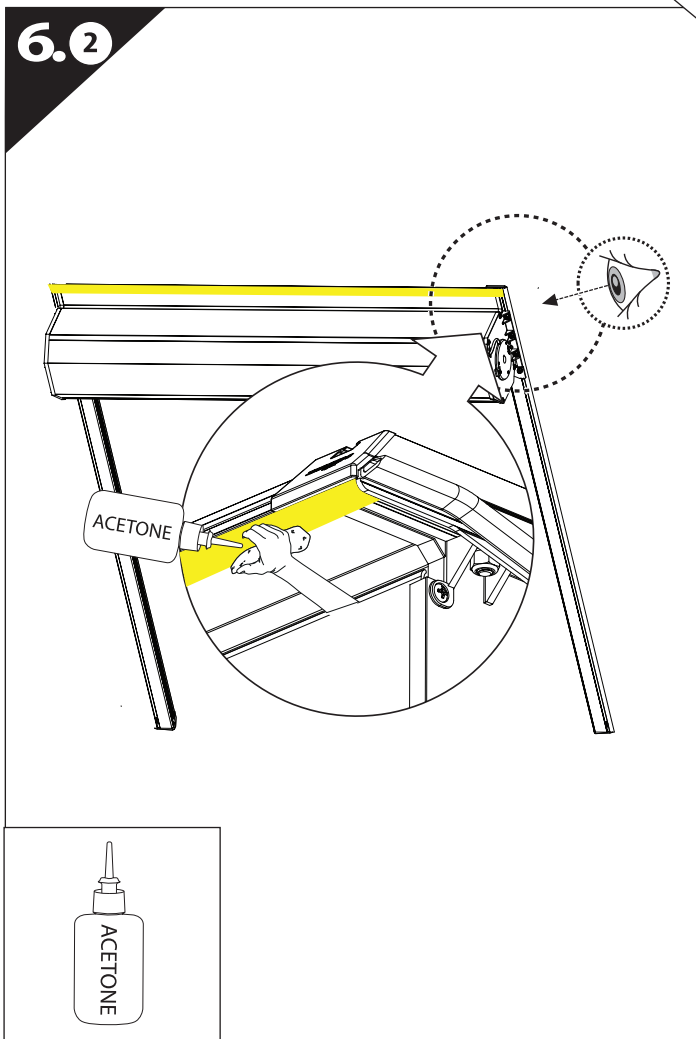
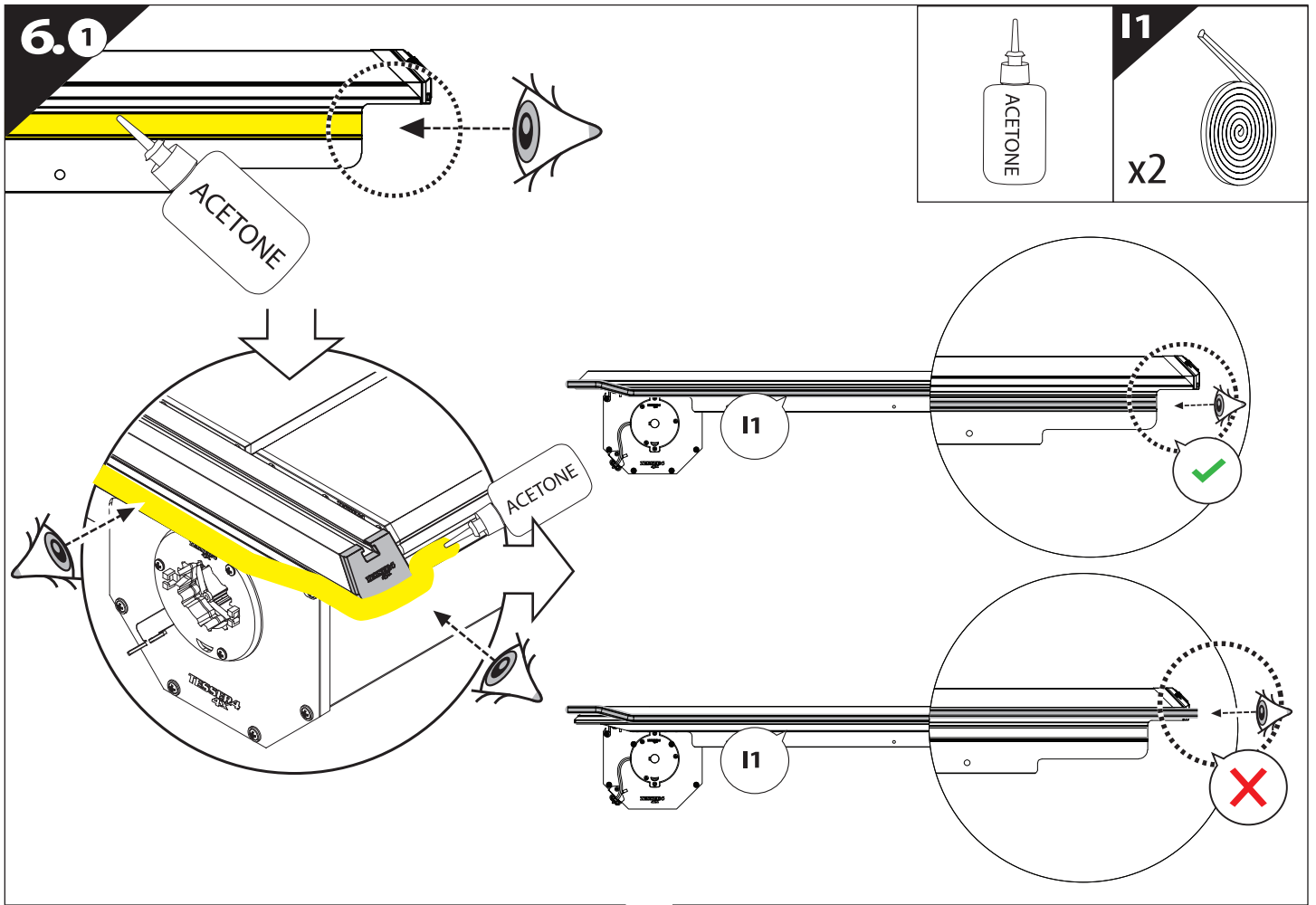
3

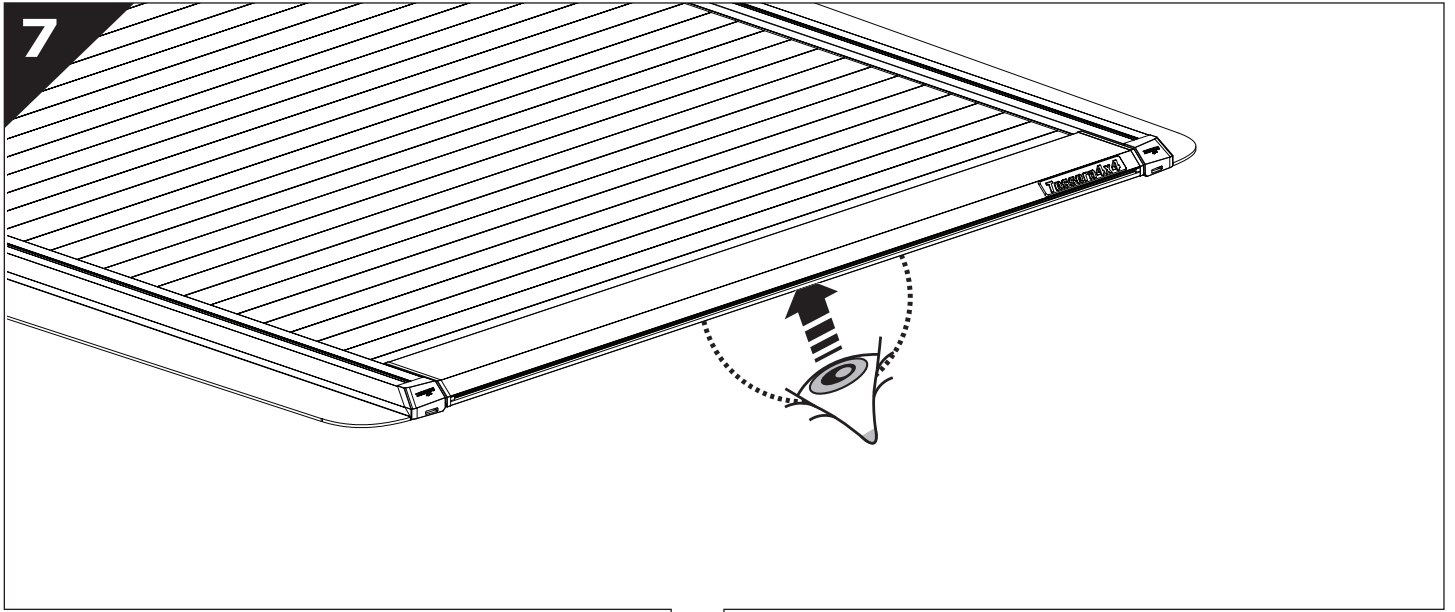


4

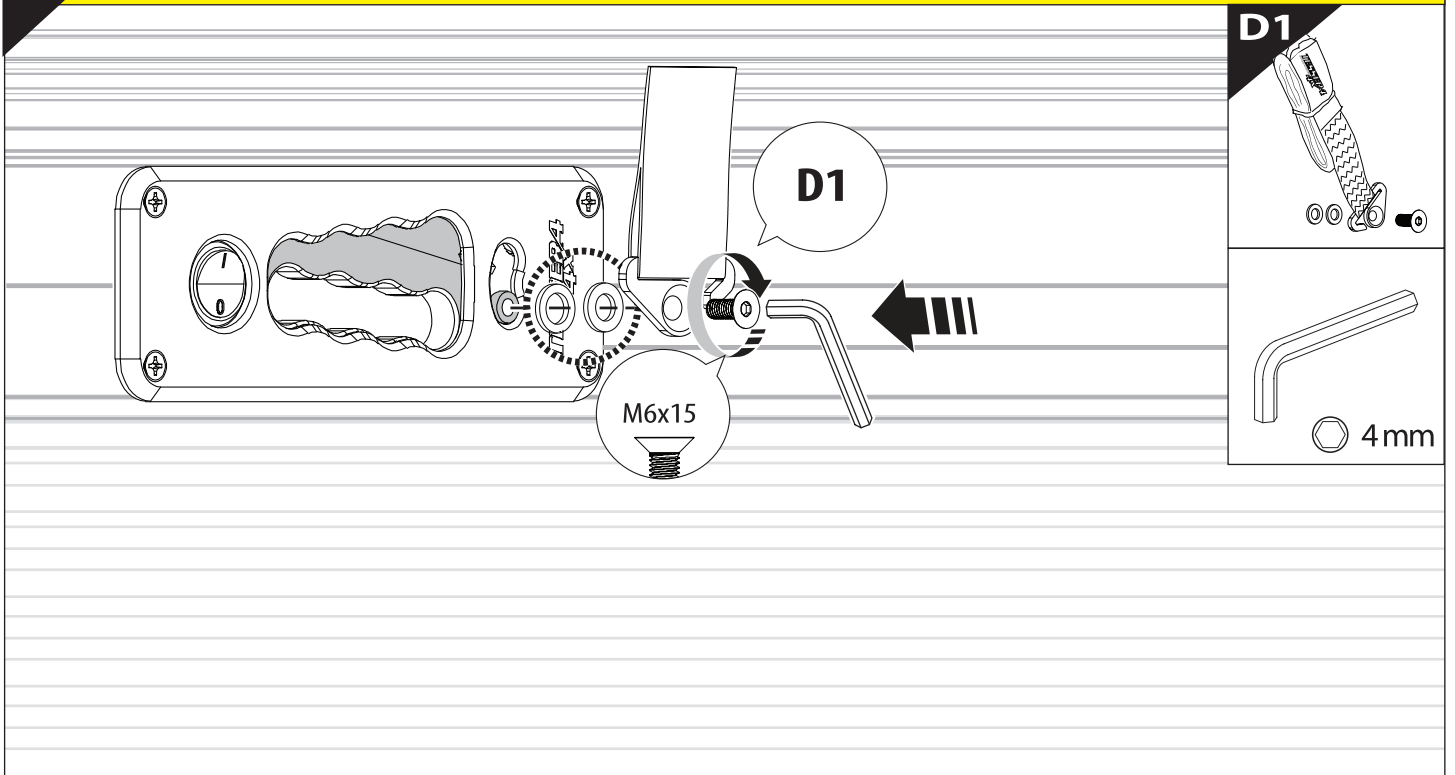








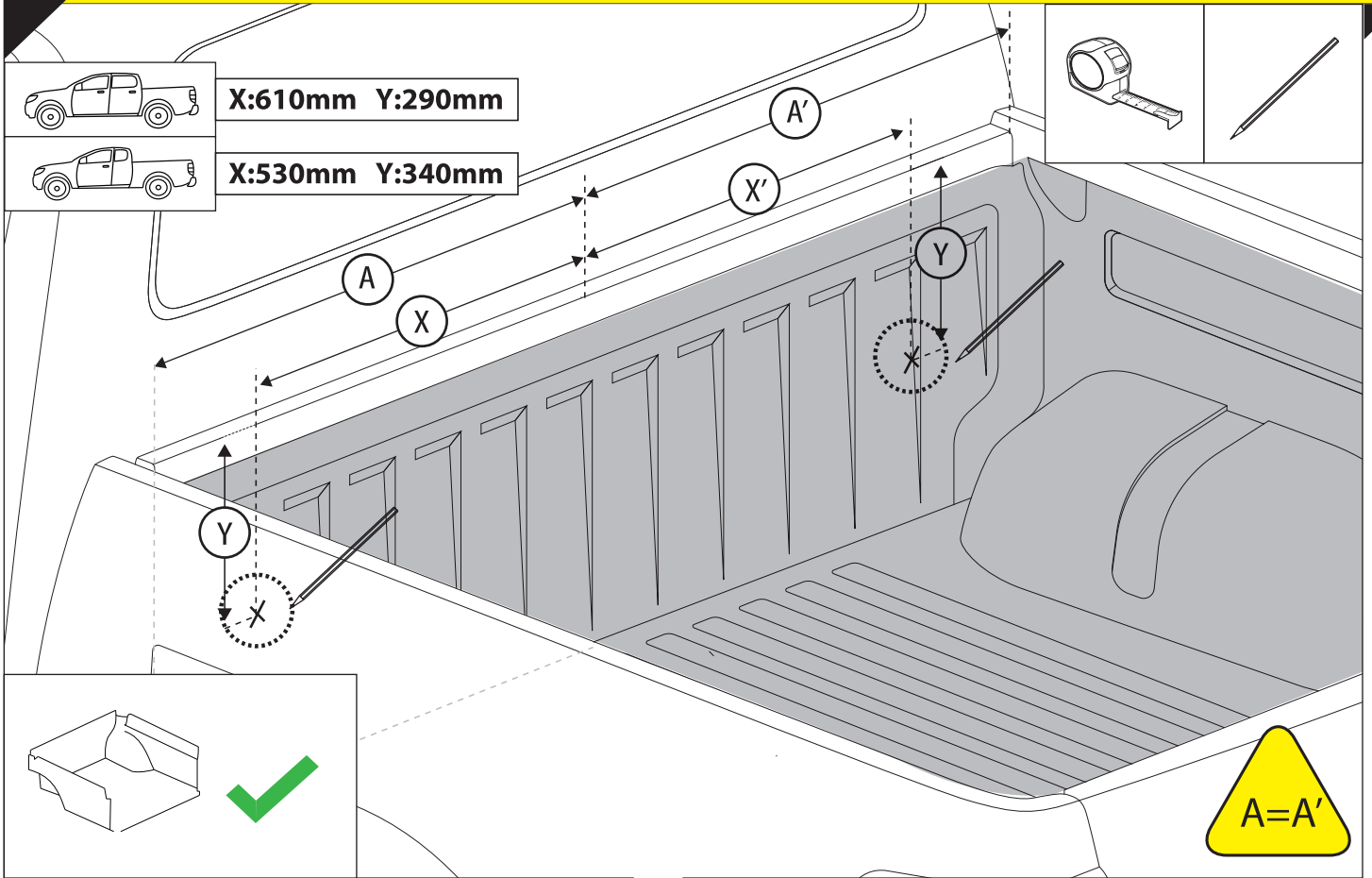
7.1  **CAUTION** Basic Version ✓ & Basic+S-KIT Version ✓



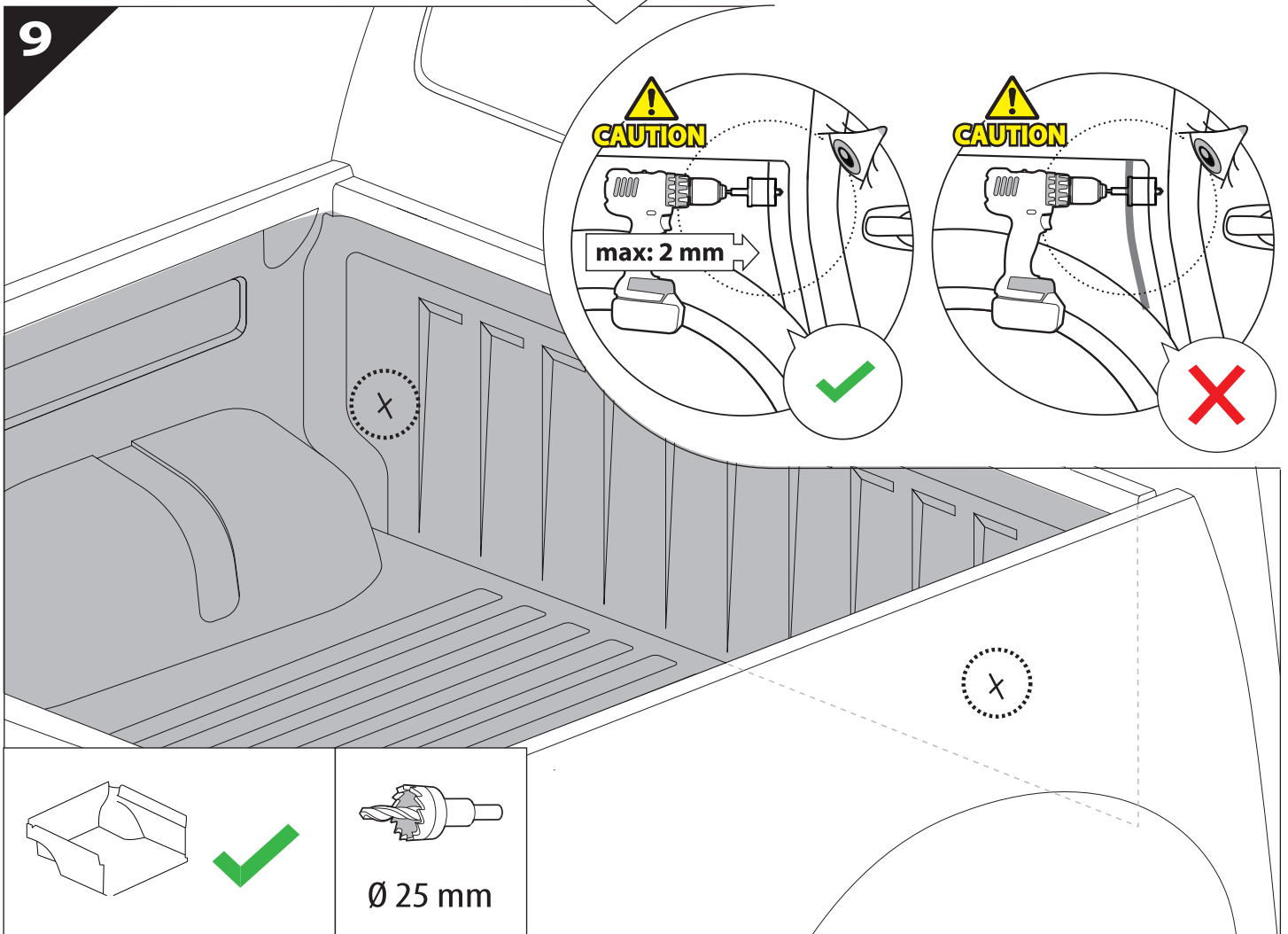
8

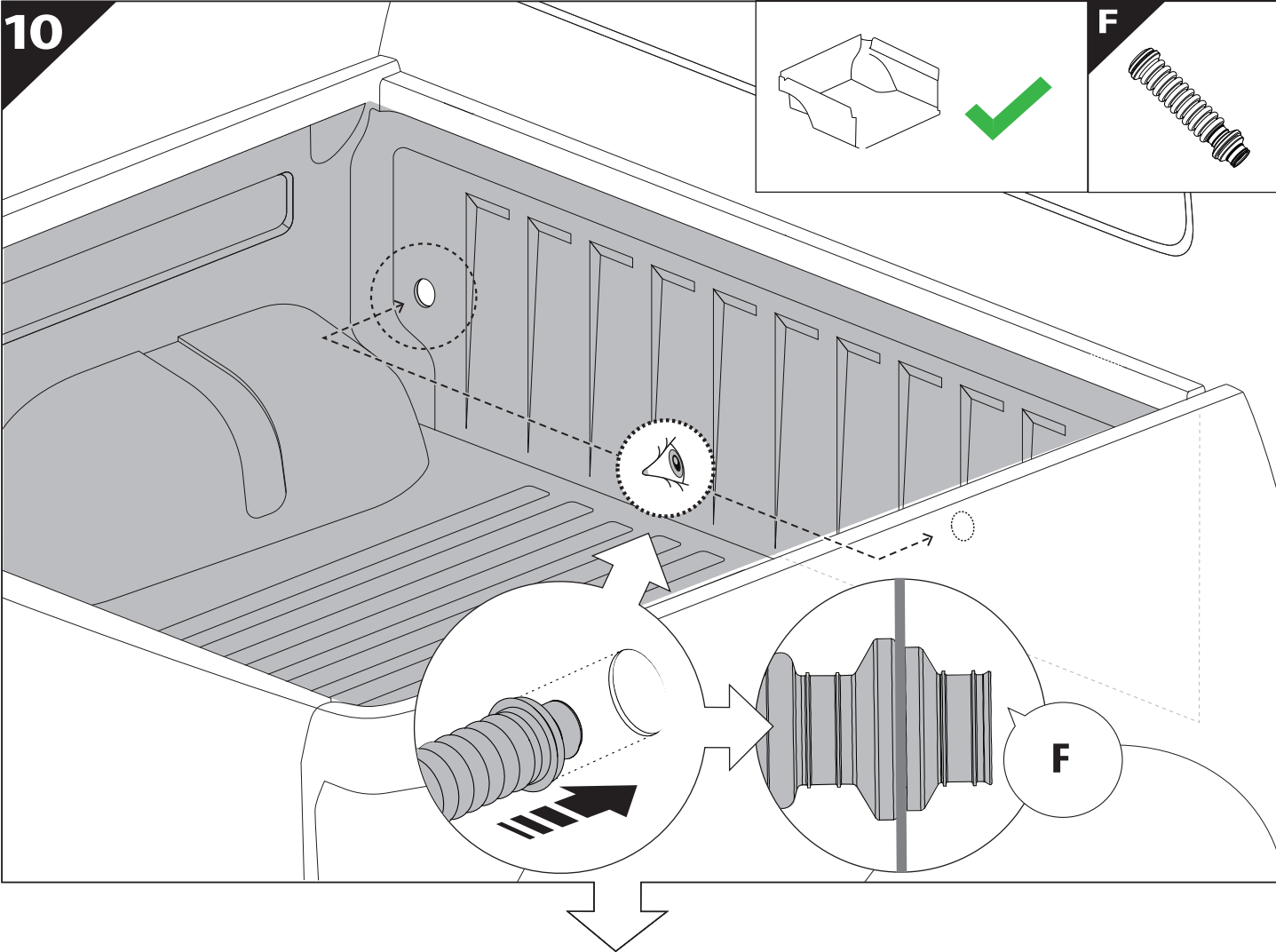


CAUTION: LIMITED, WILDTRAK, WILDTRAK X, PLATINUM



9

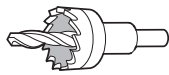
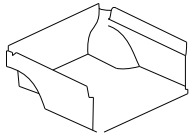
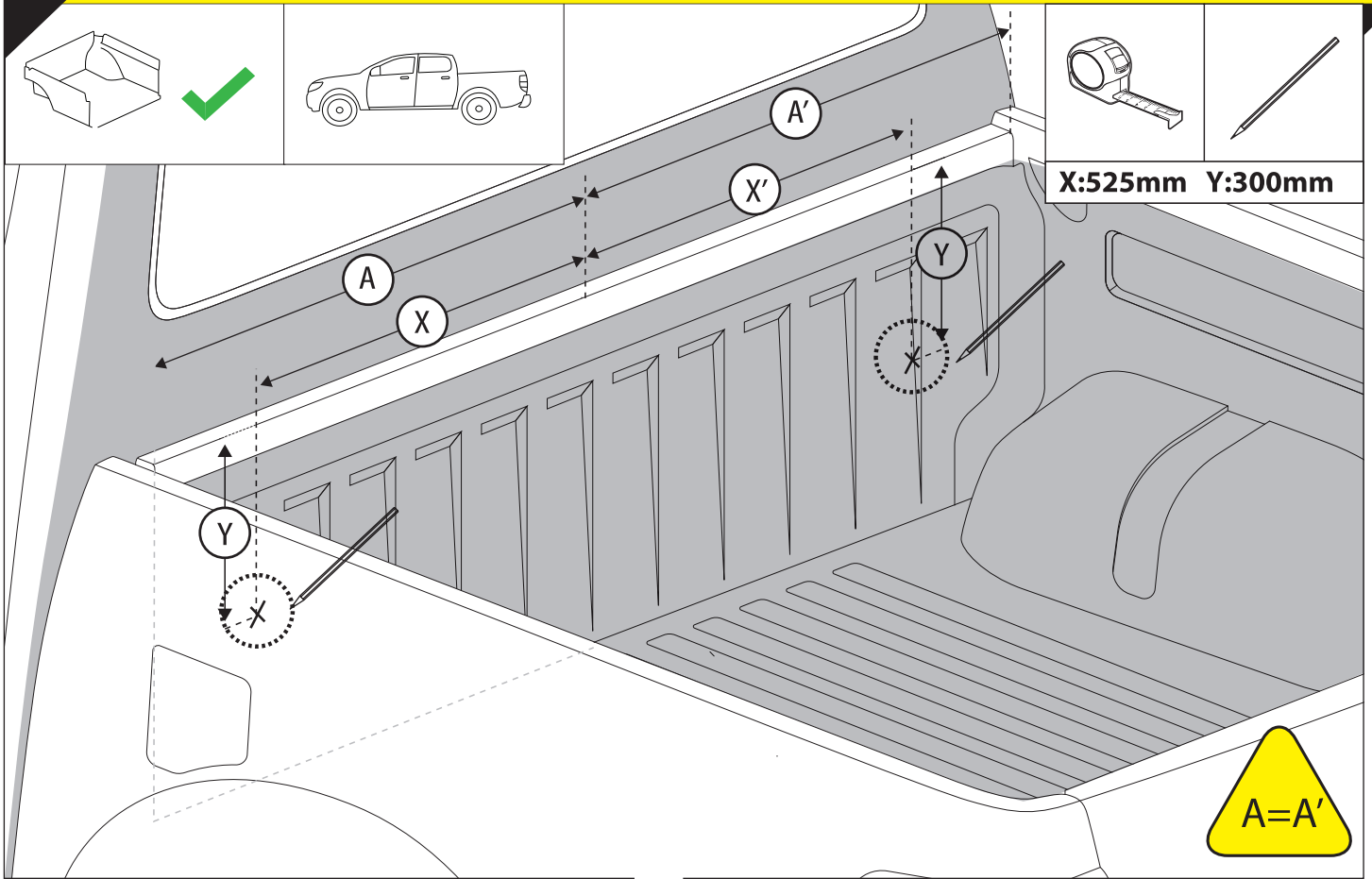
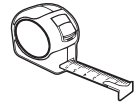
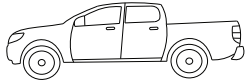
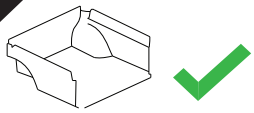




11



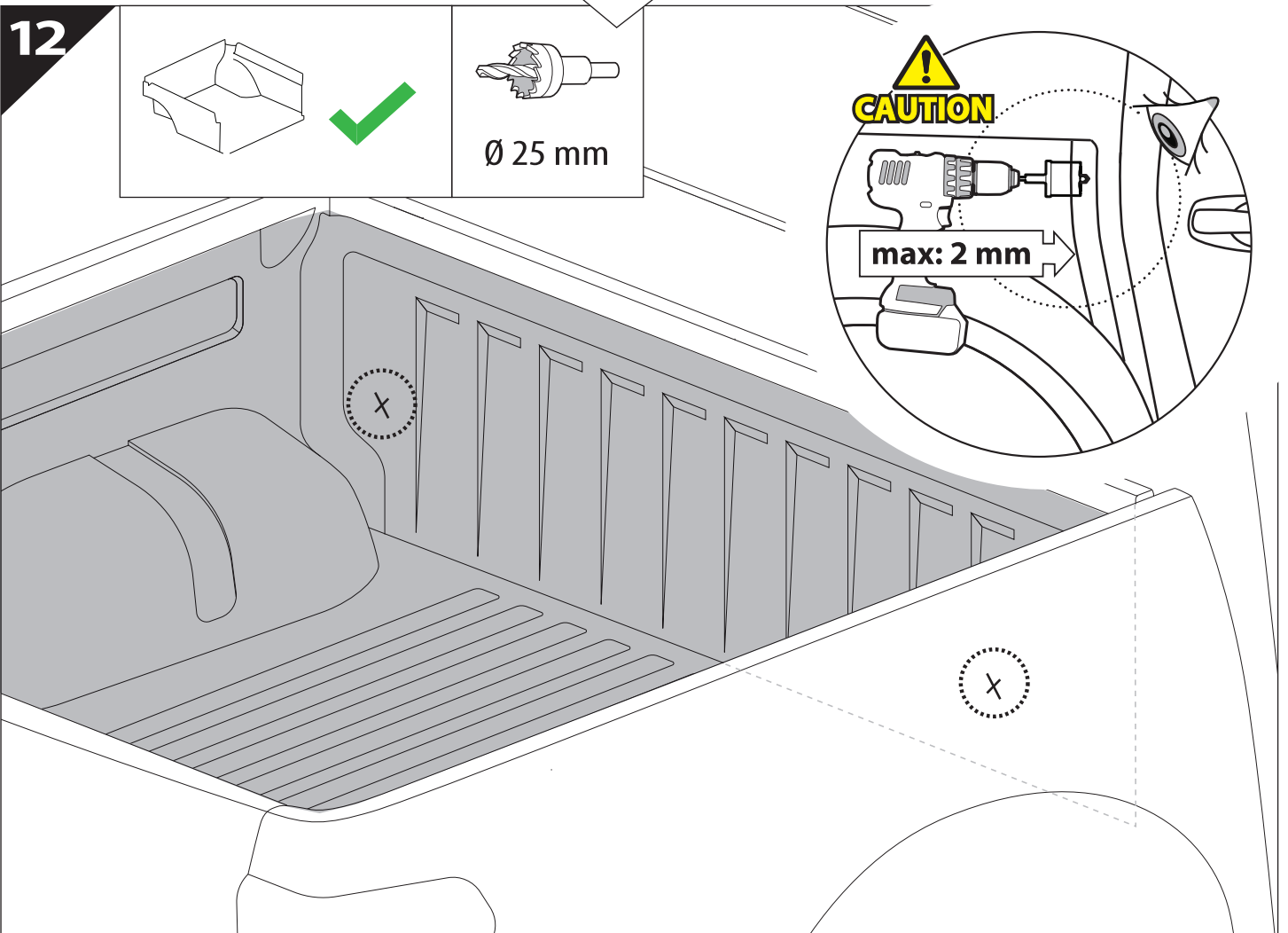
CAUTION: RAPTOR



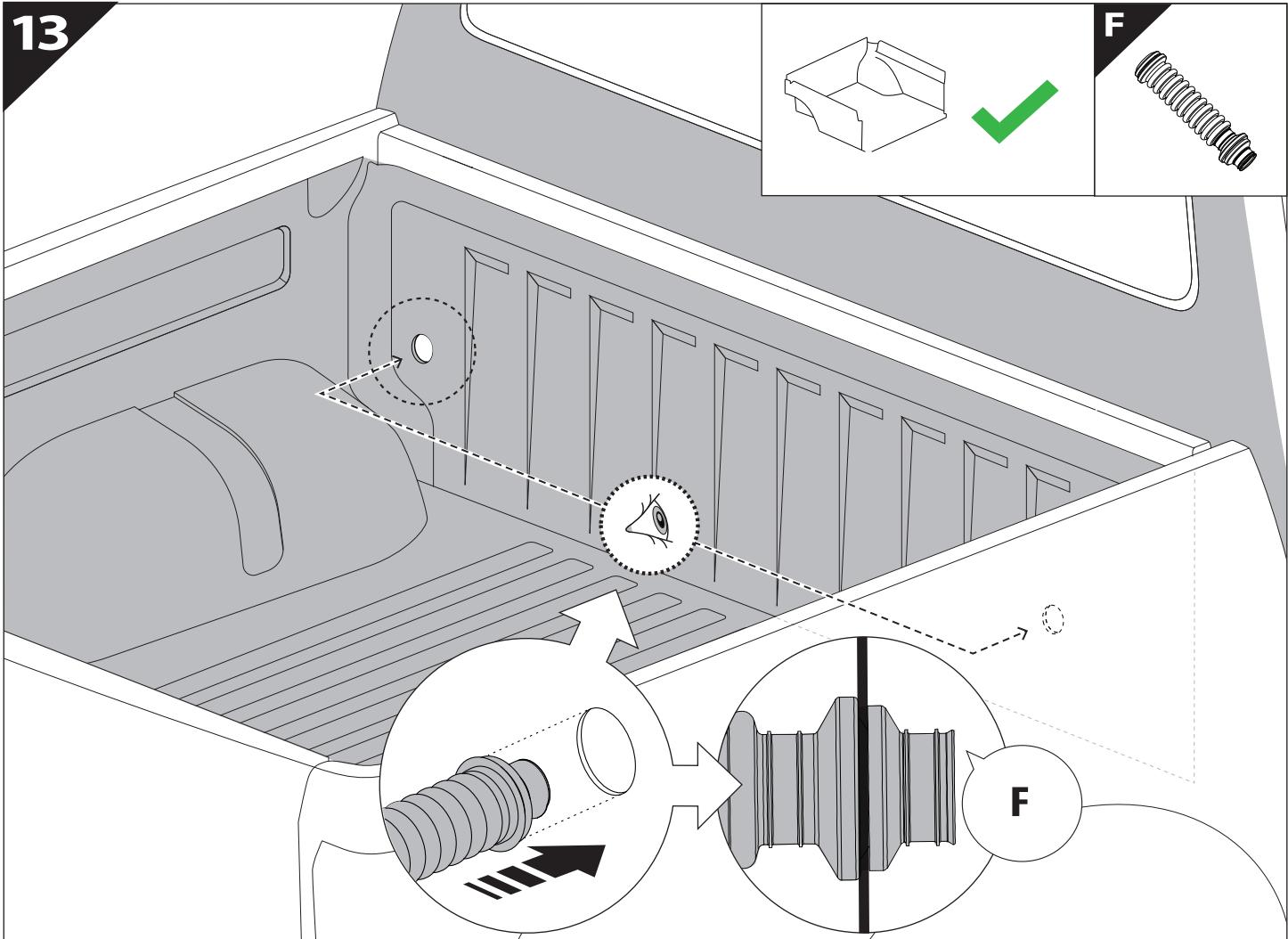
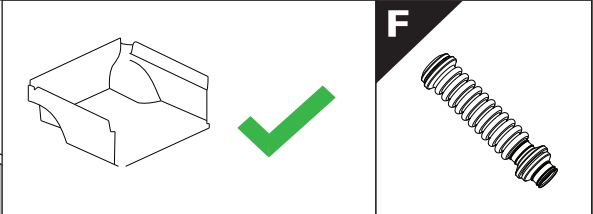
Ø 25 mm

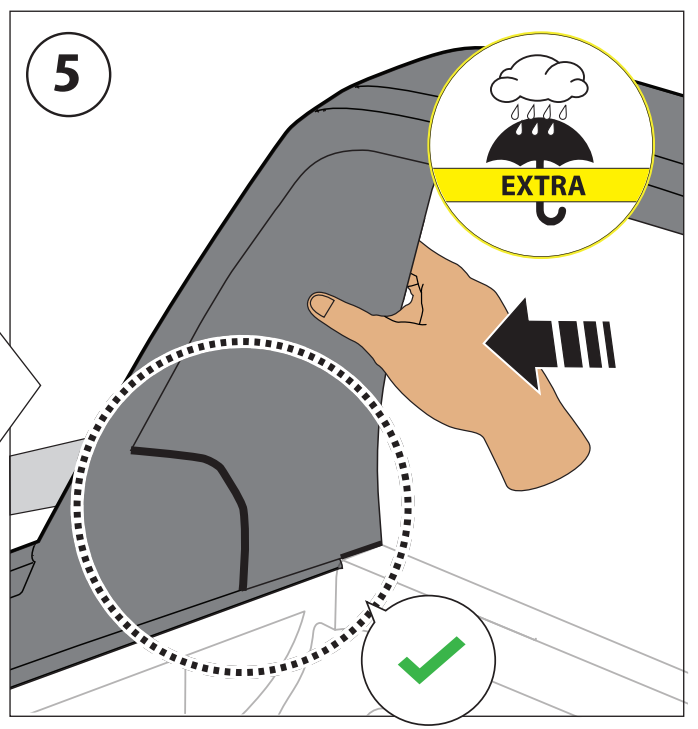
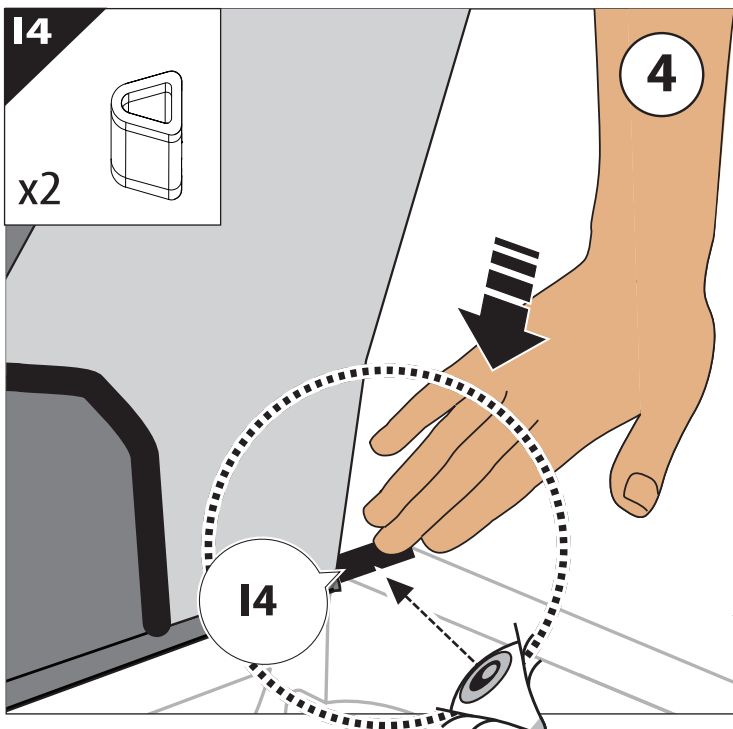
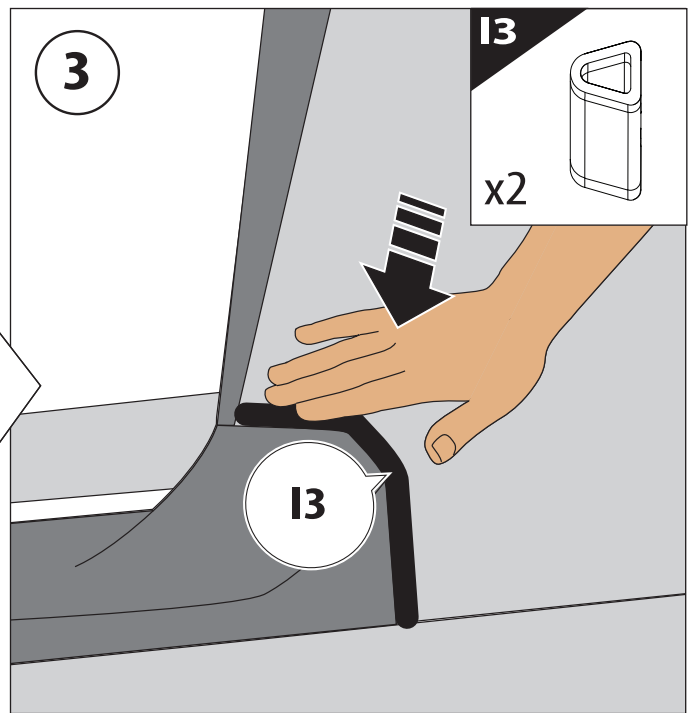
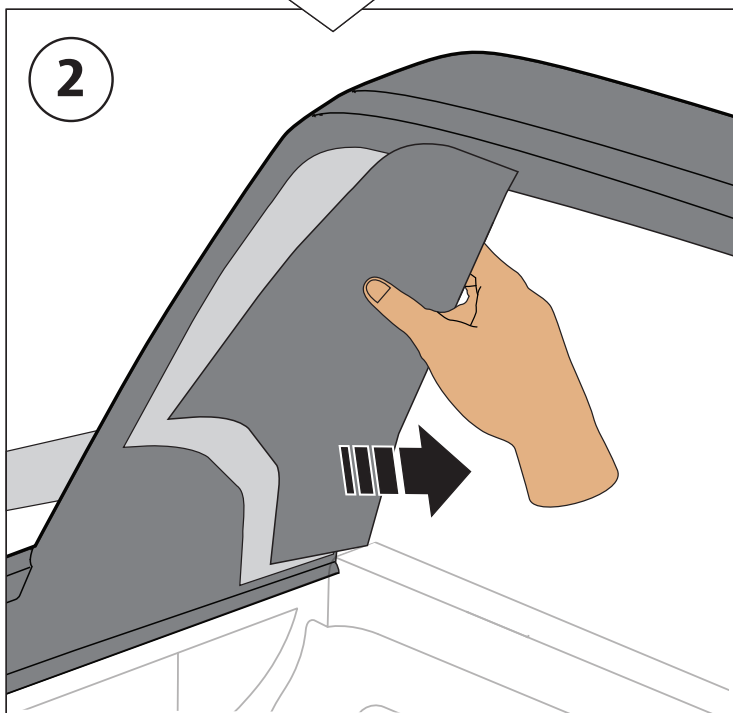
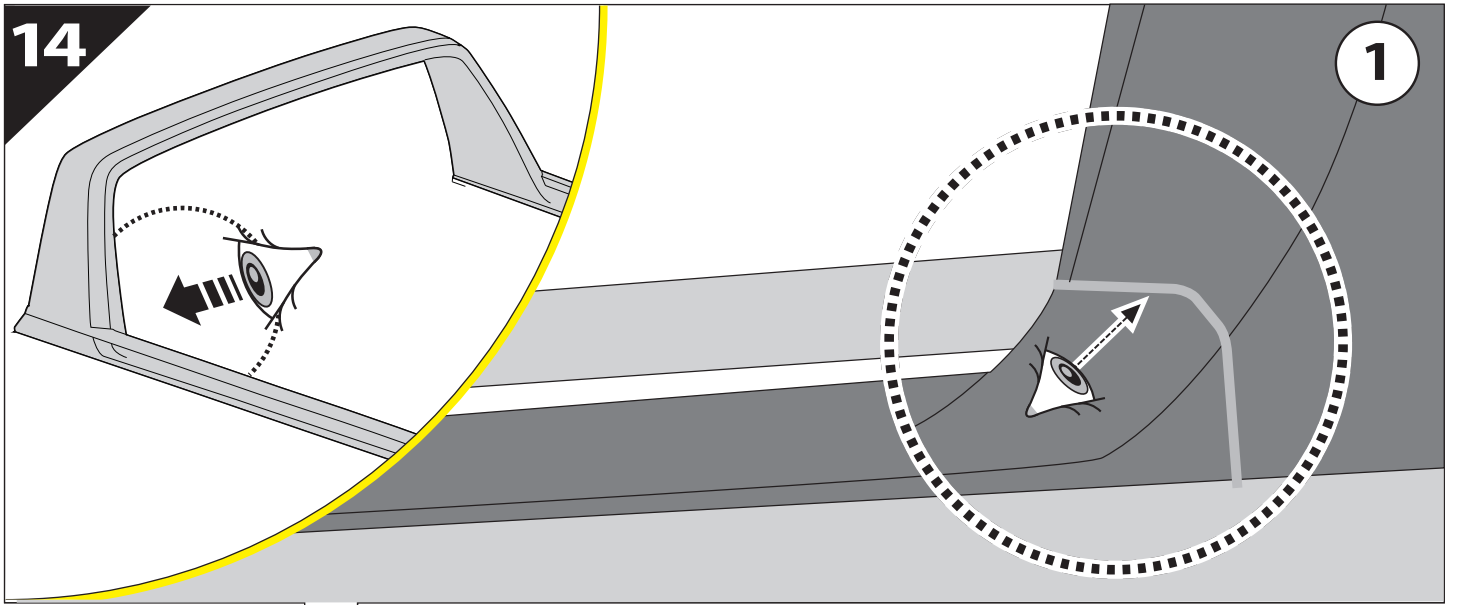
CAUTION

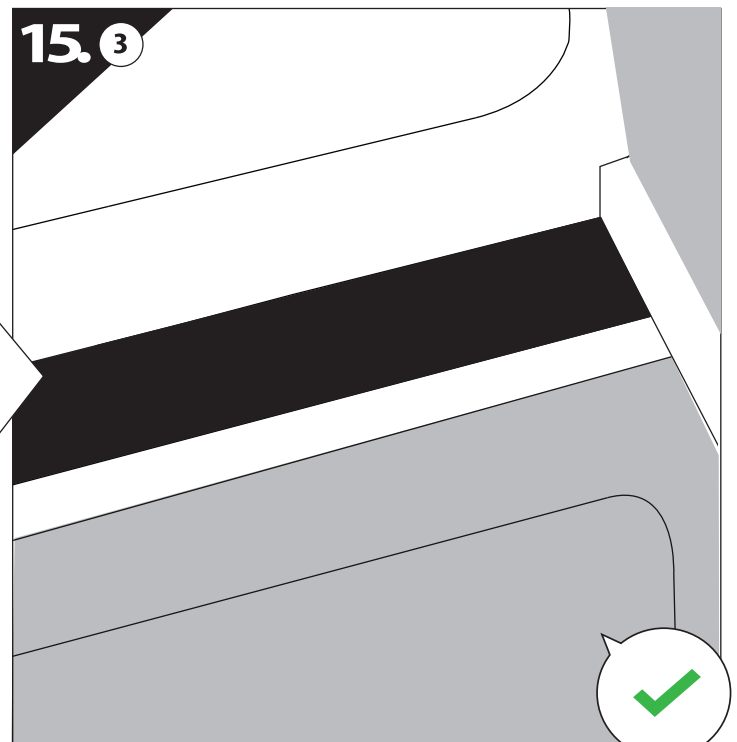
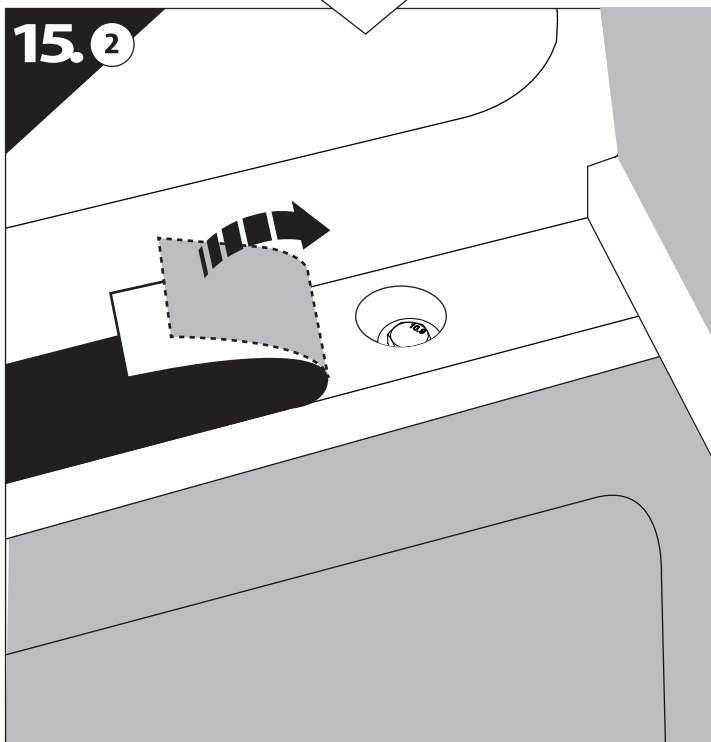
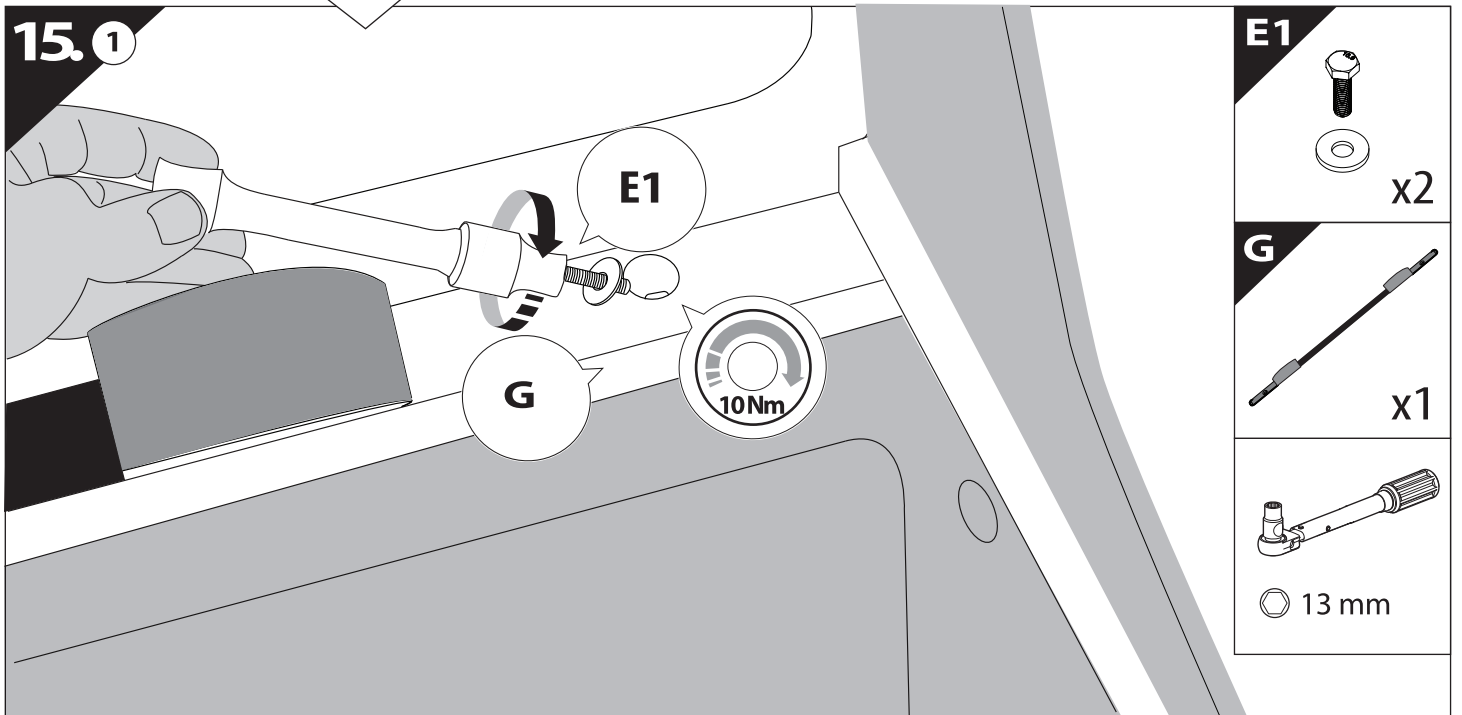
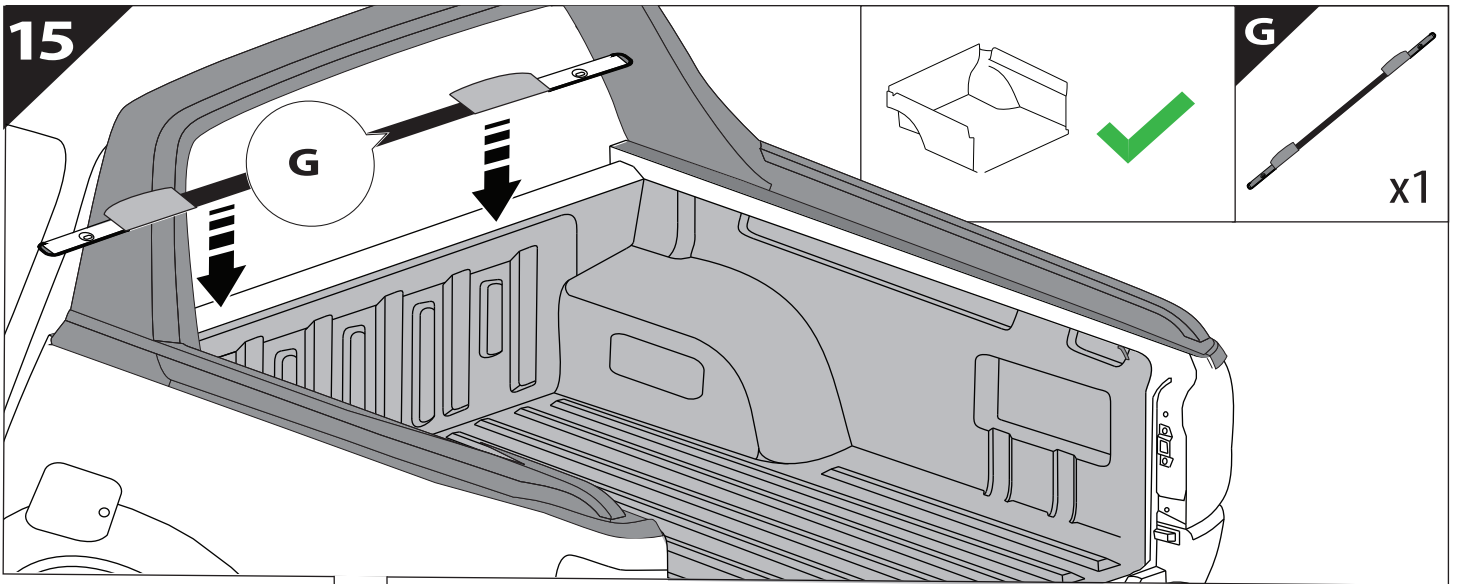
max: 2 mm



13

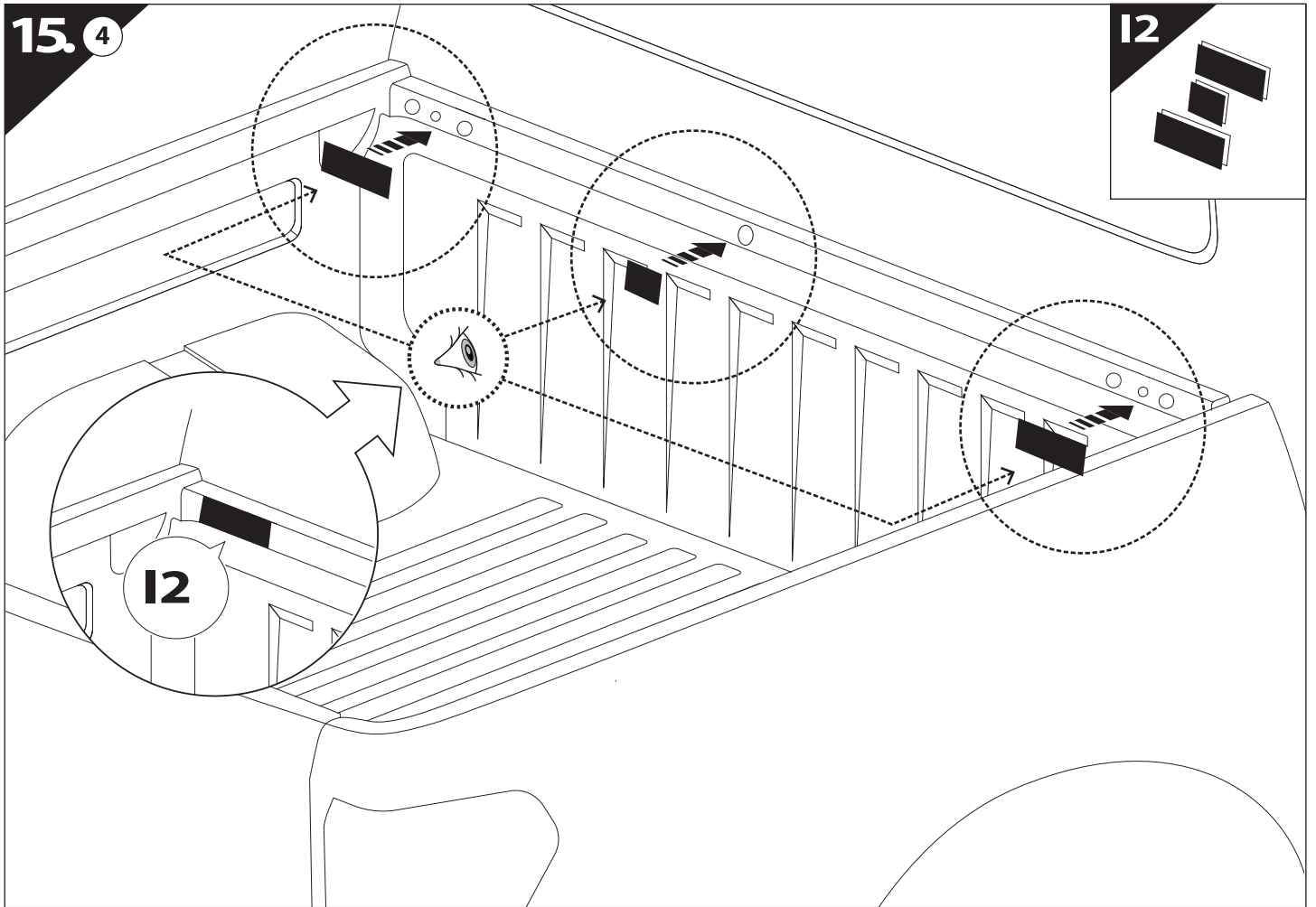


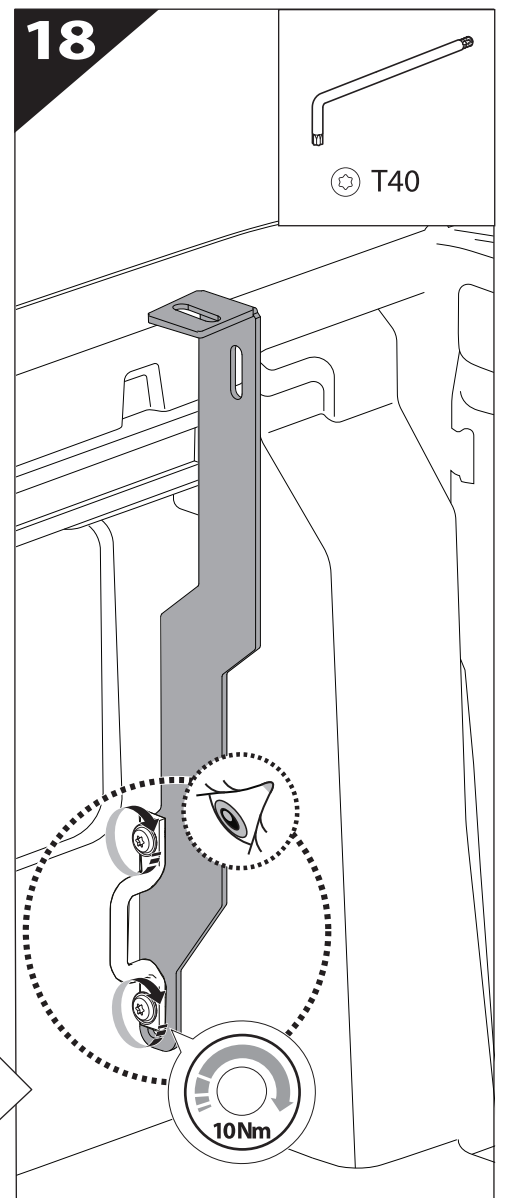
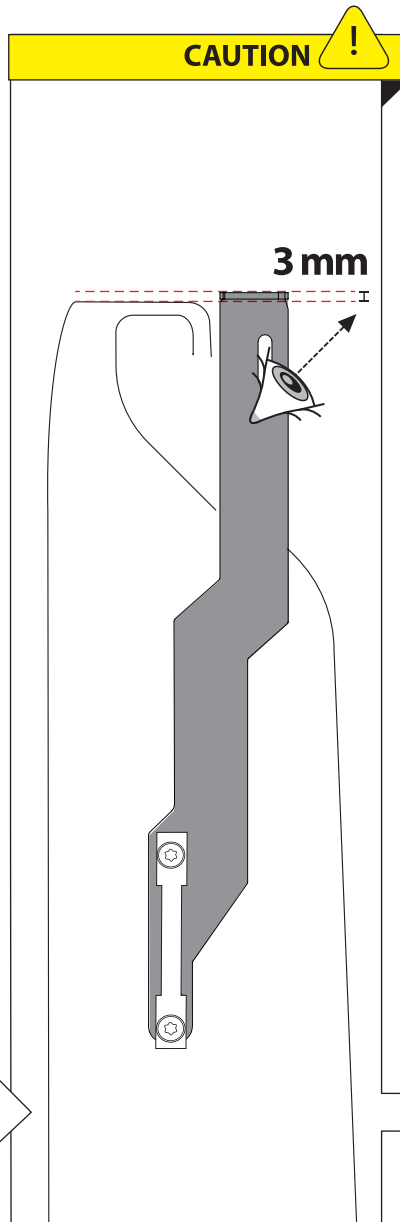
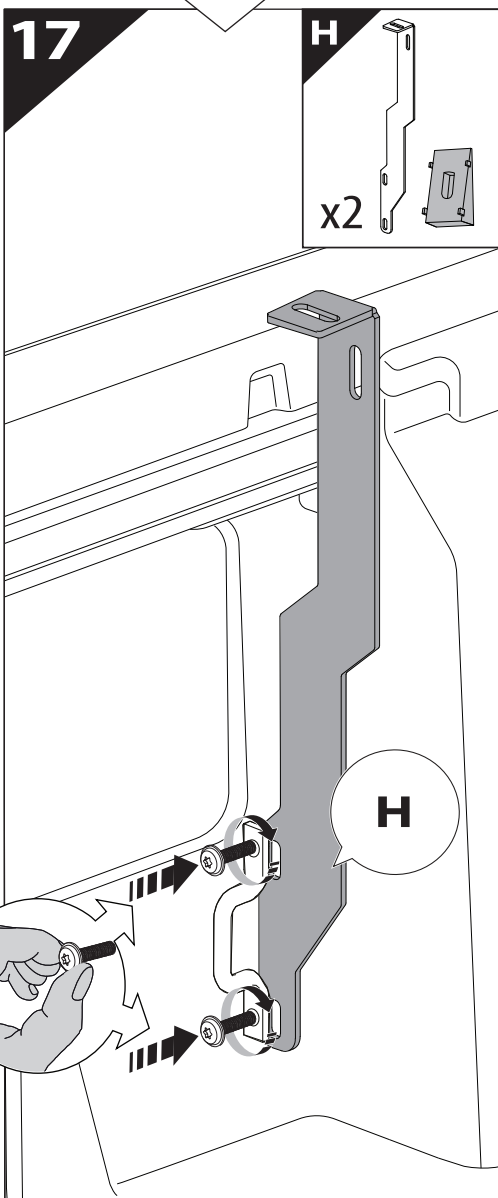
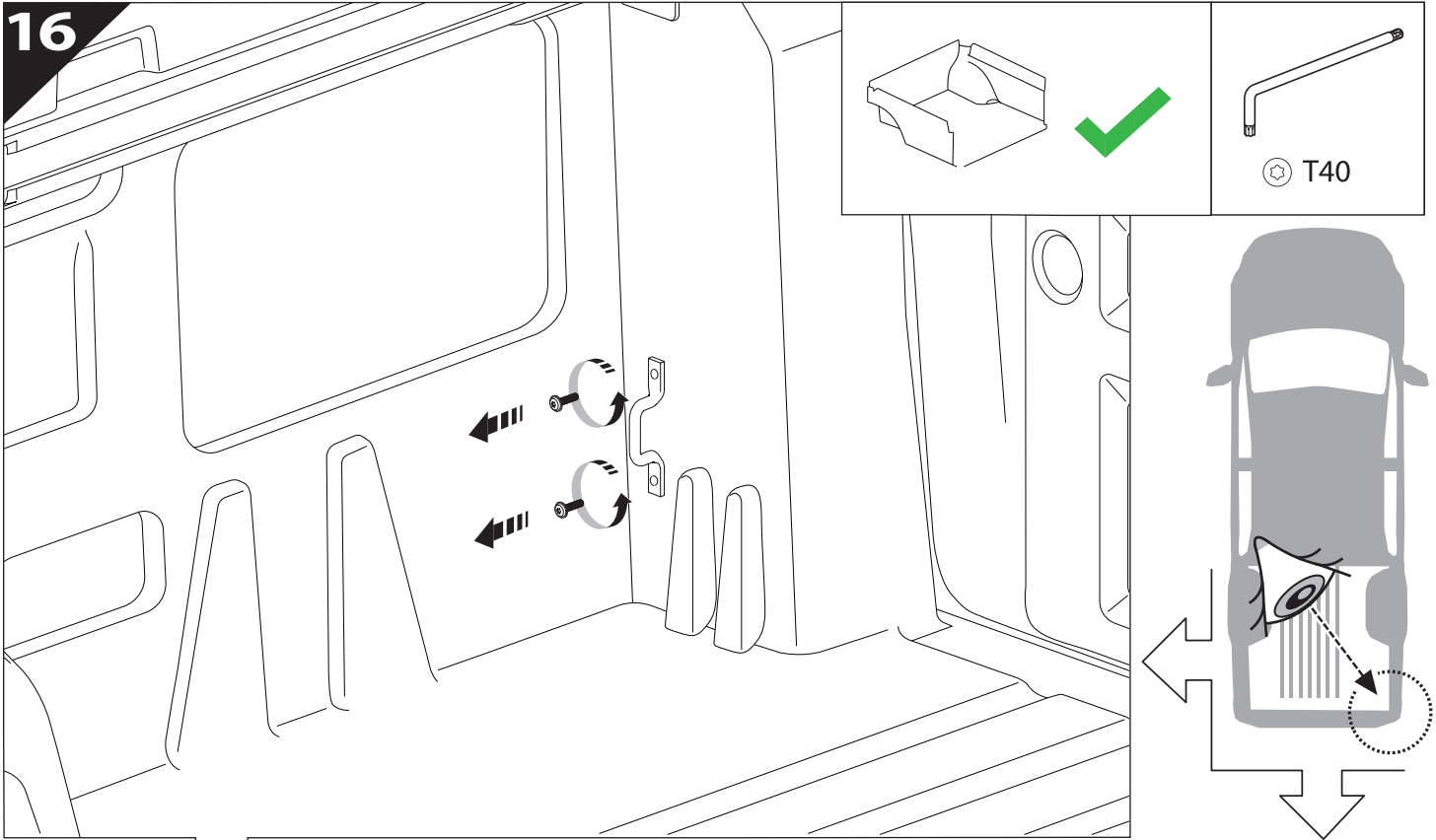




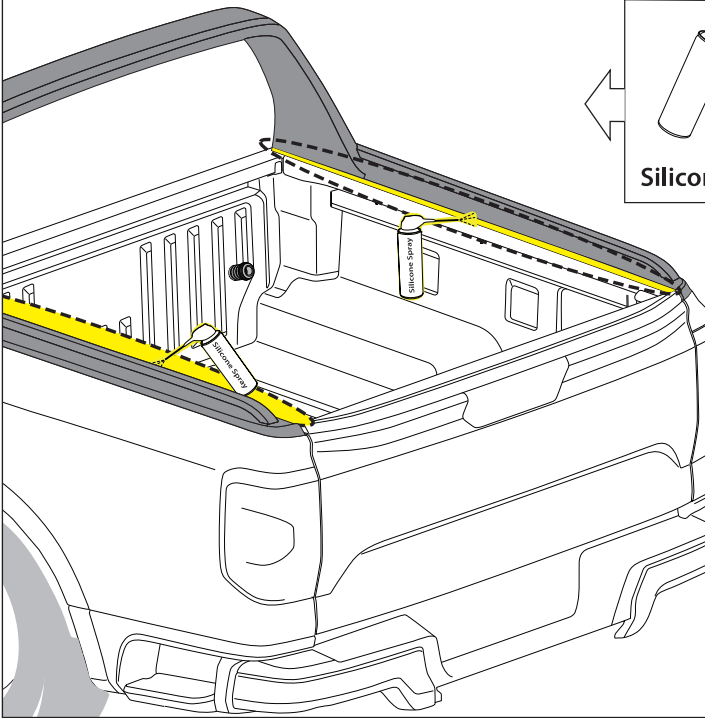
15. 4

12

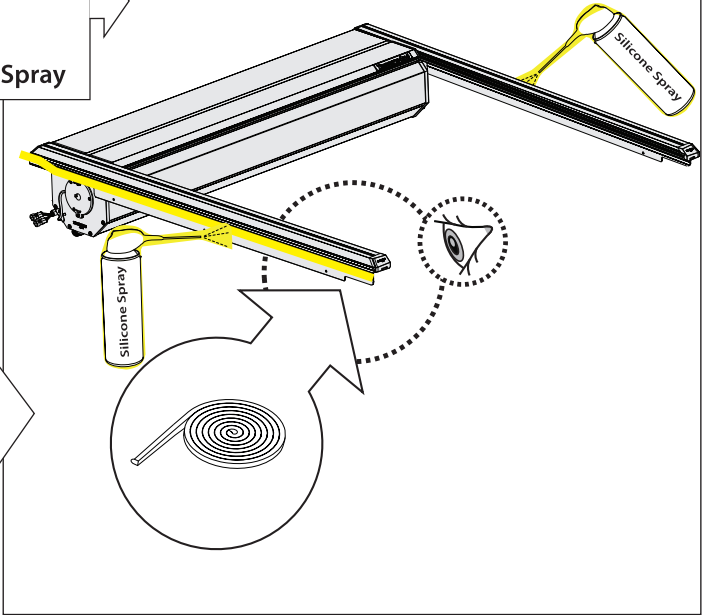
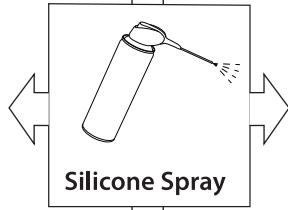




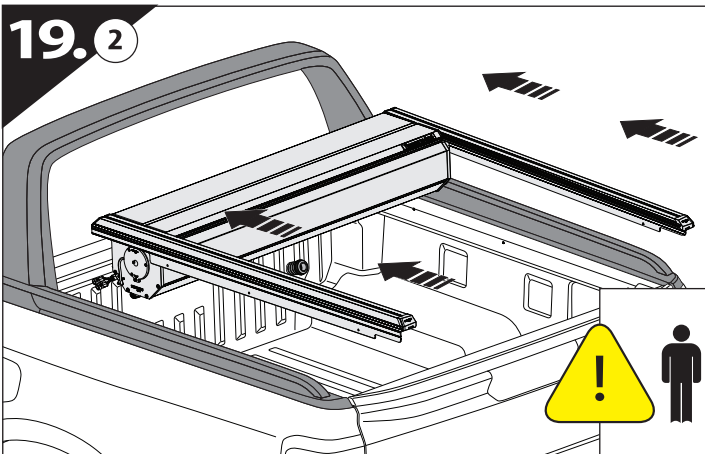
19



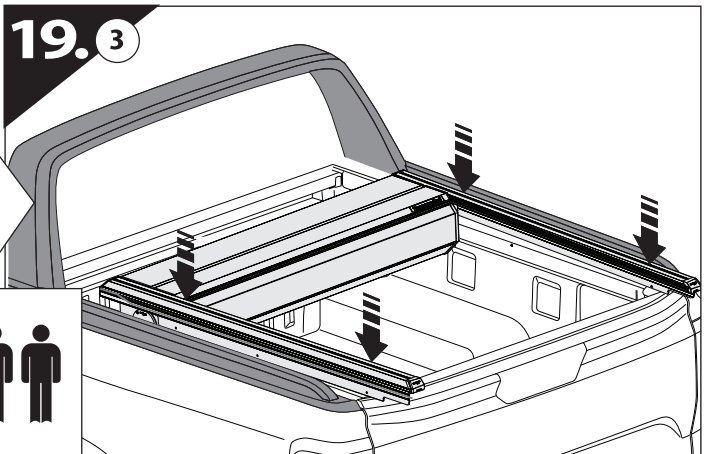
19.1



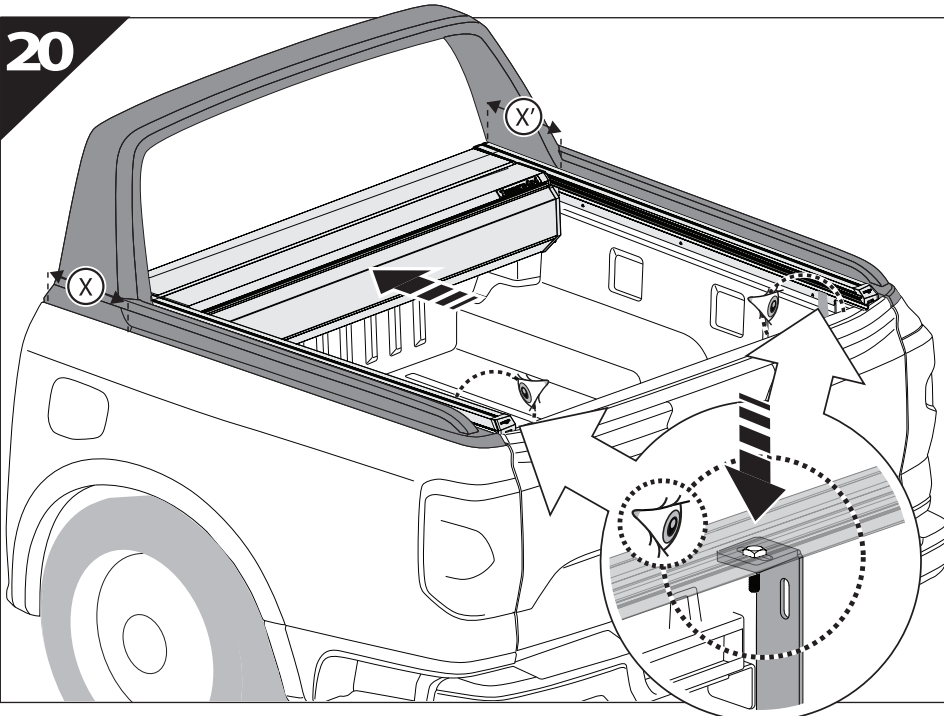
19.2

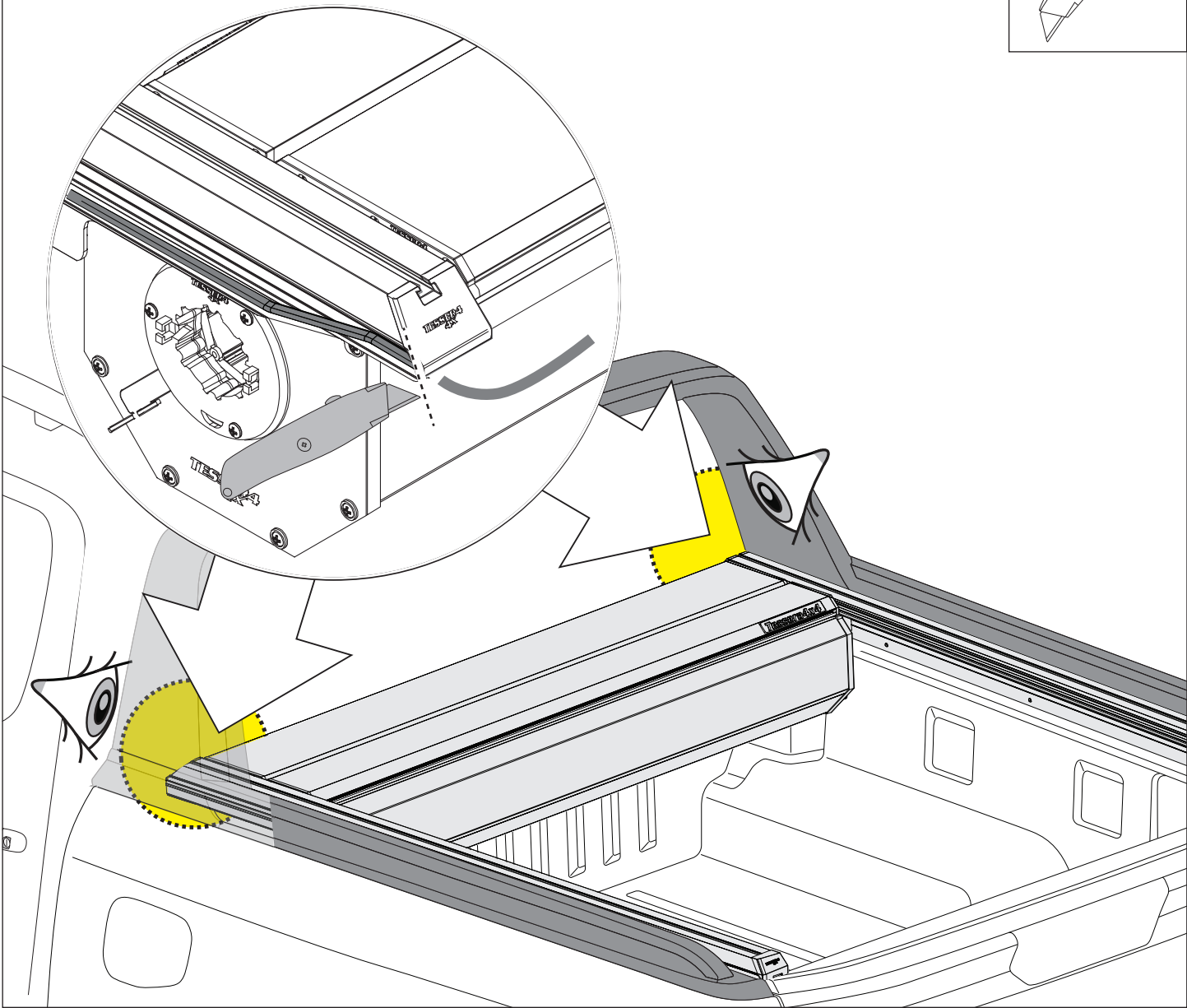
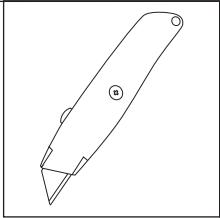


19.3

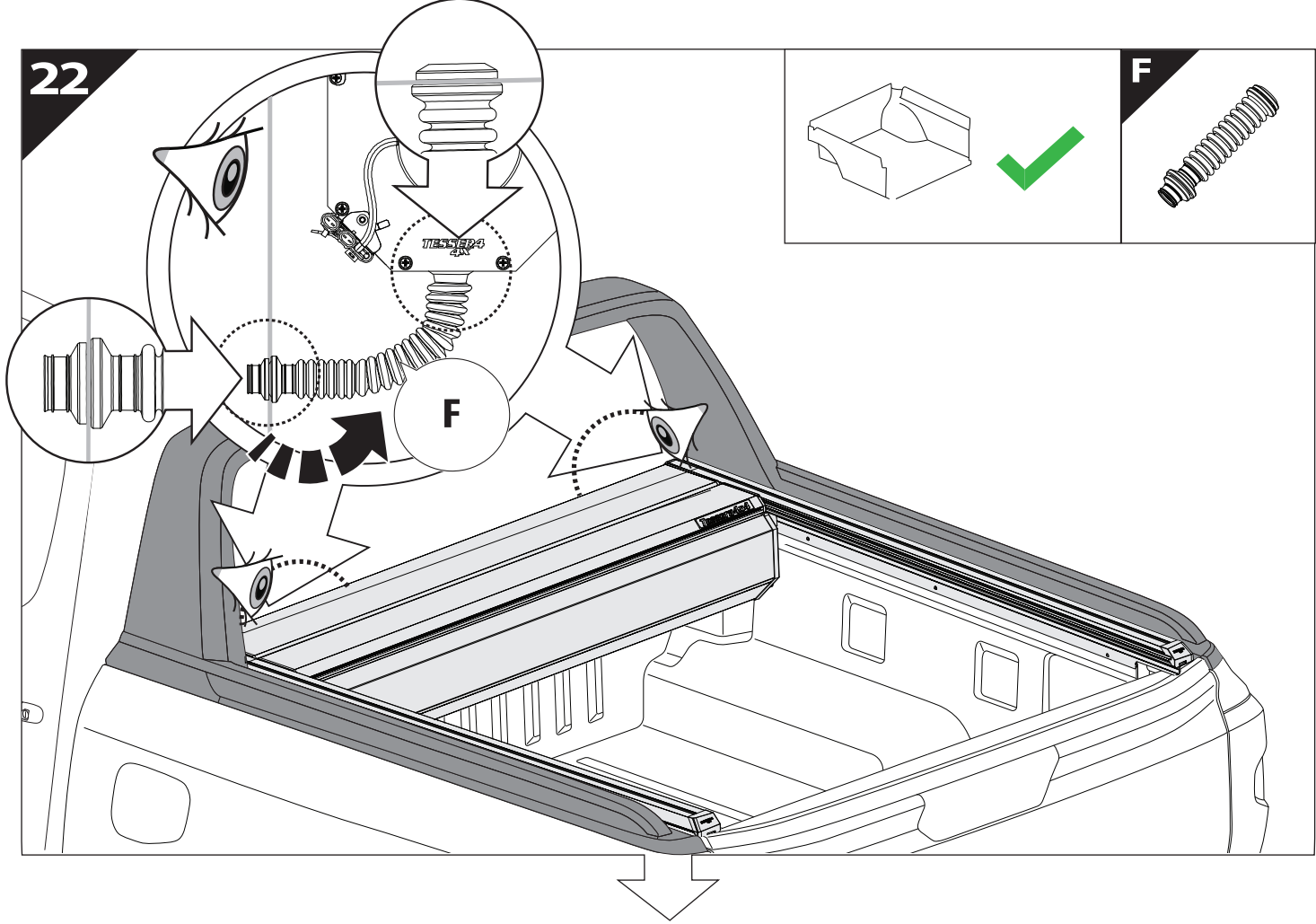


20



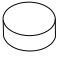


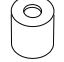



22

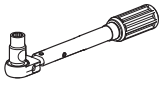


23

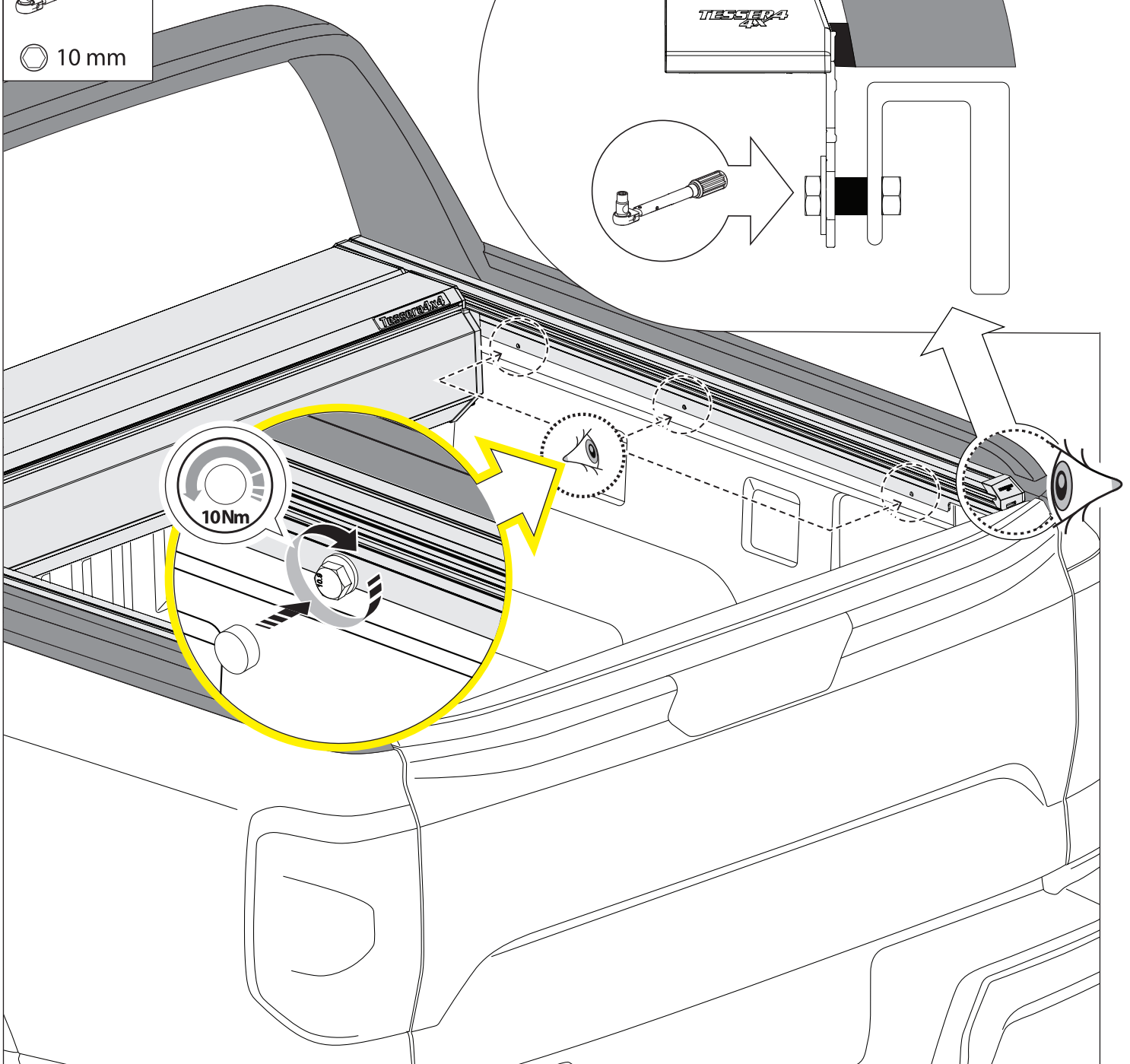
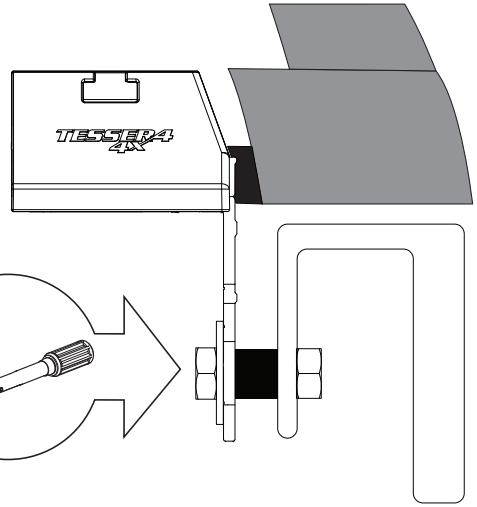
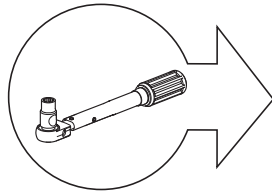
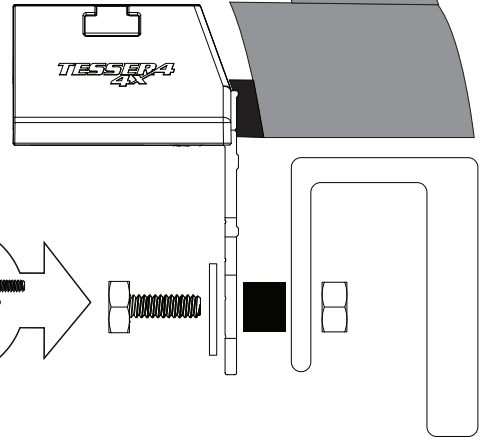
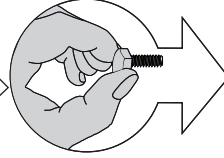
E2

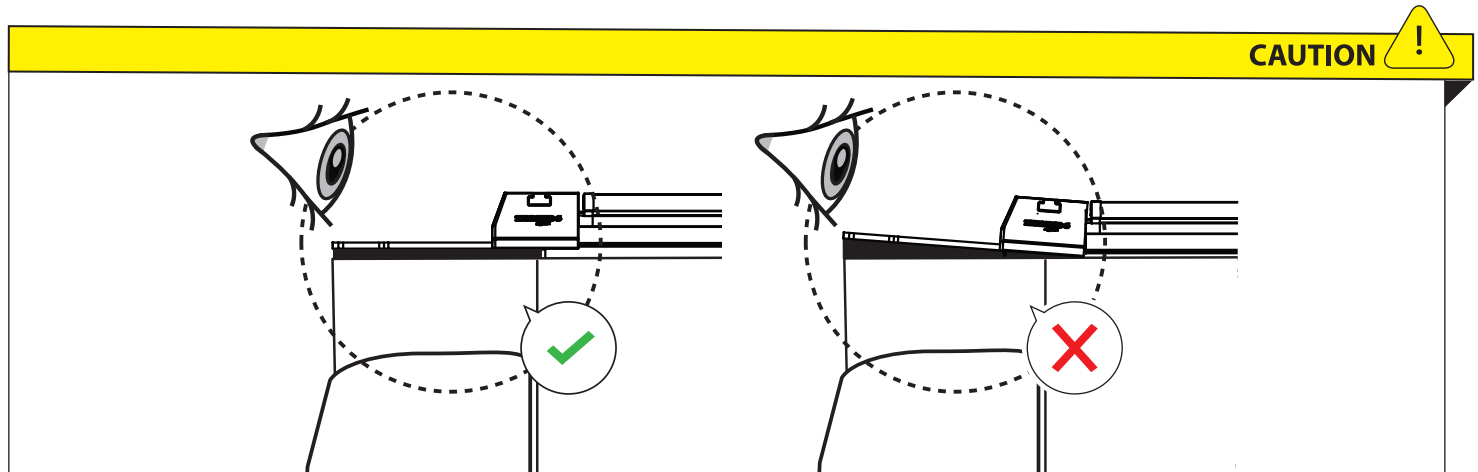
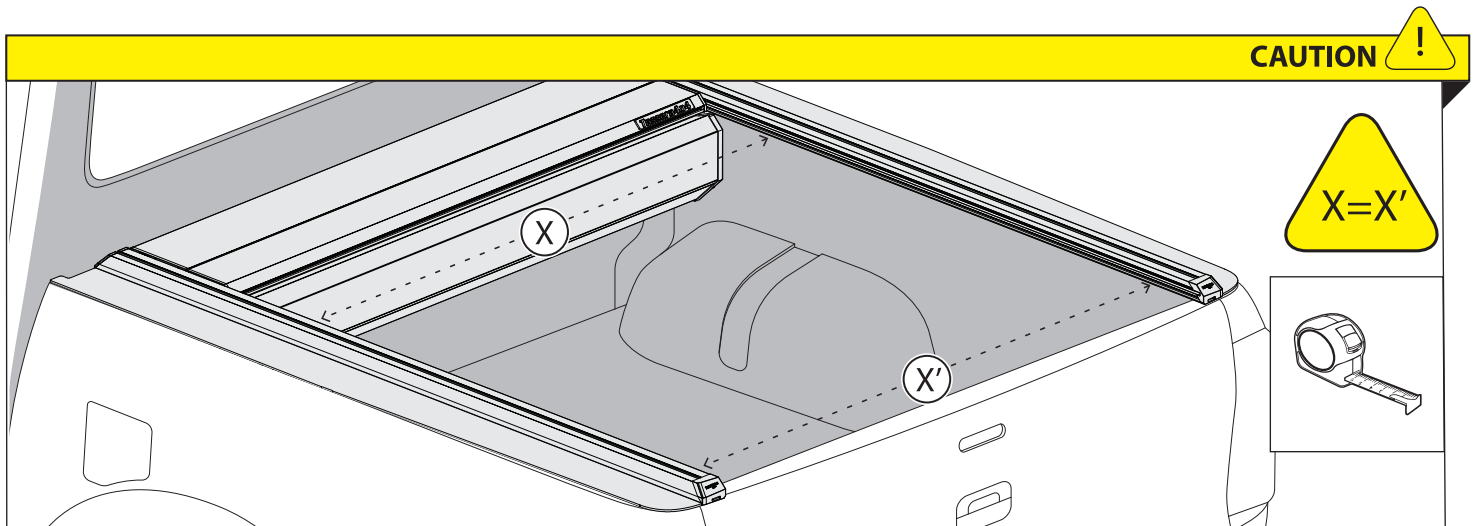
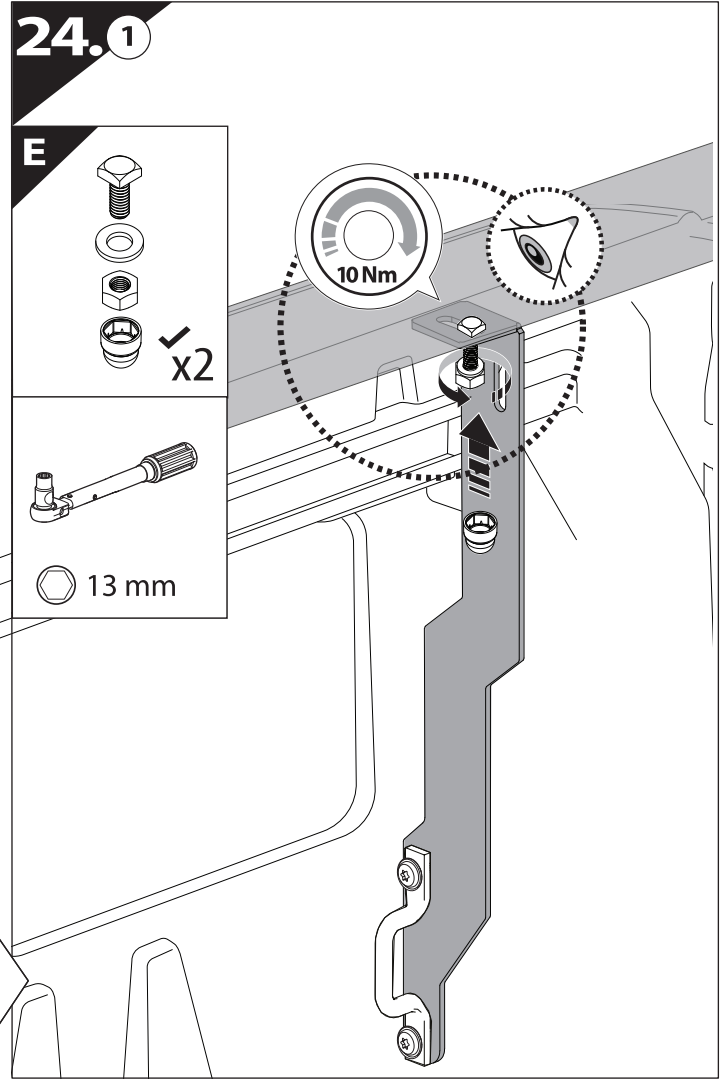
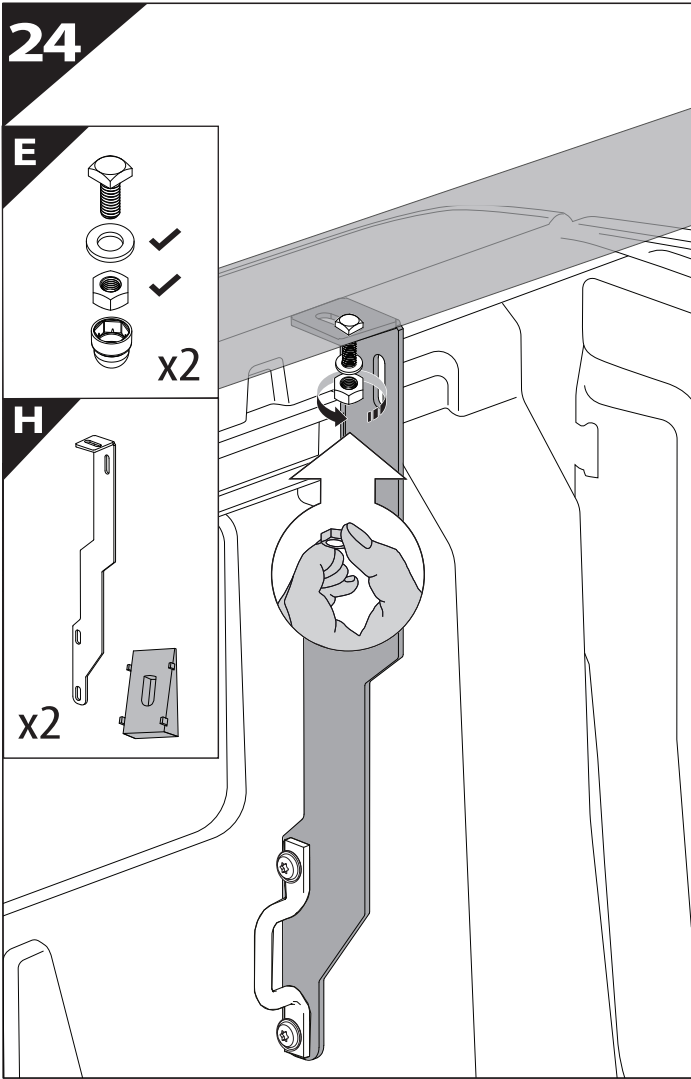
-  ✓
-  ✓
-  ✓
-  ✓
-  ✓

x6

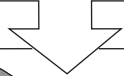
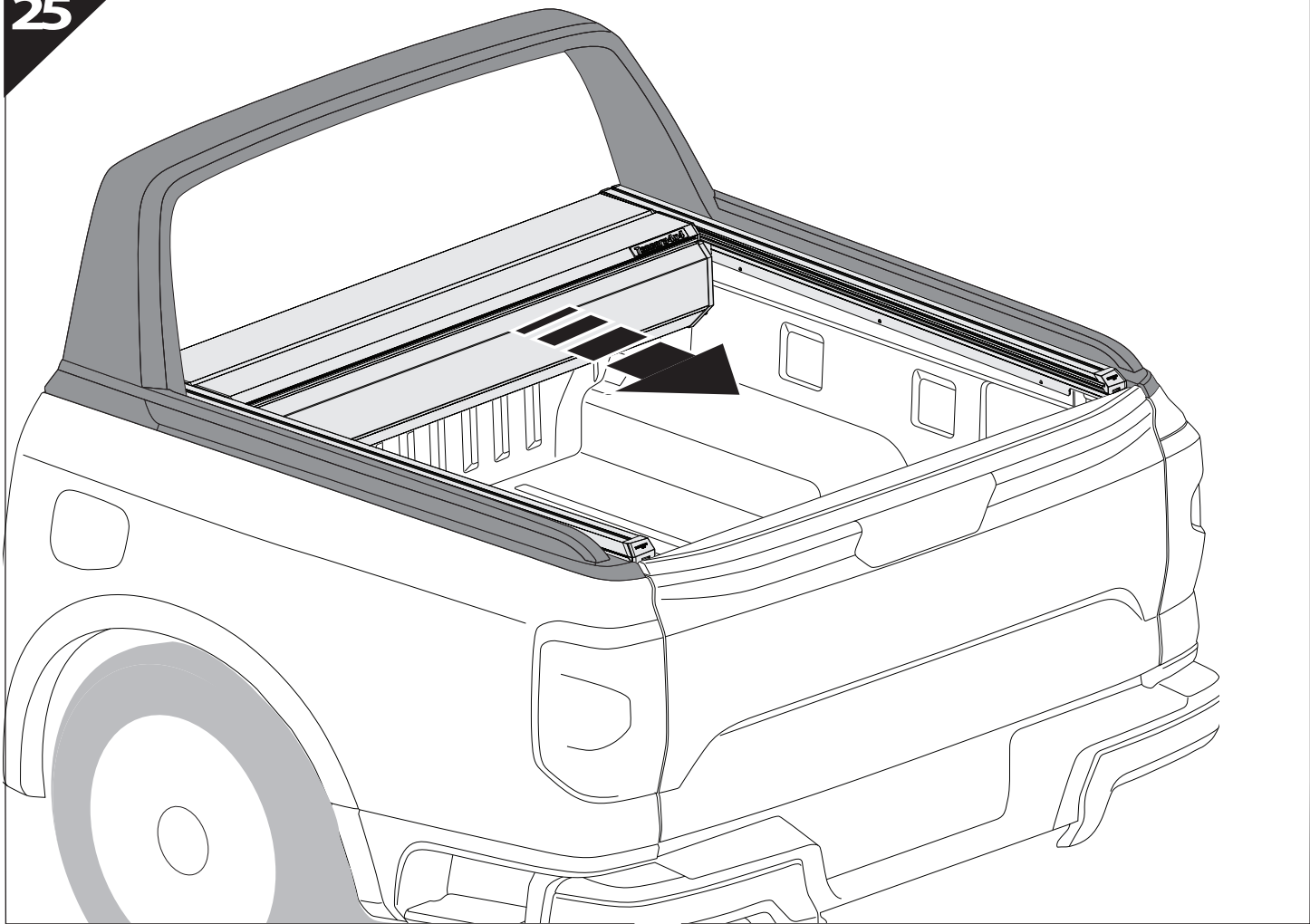


10 mm

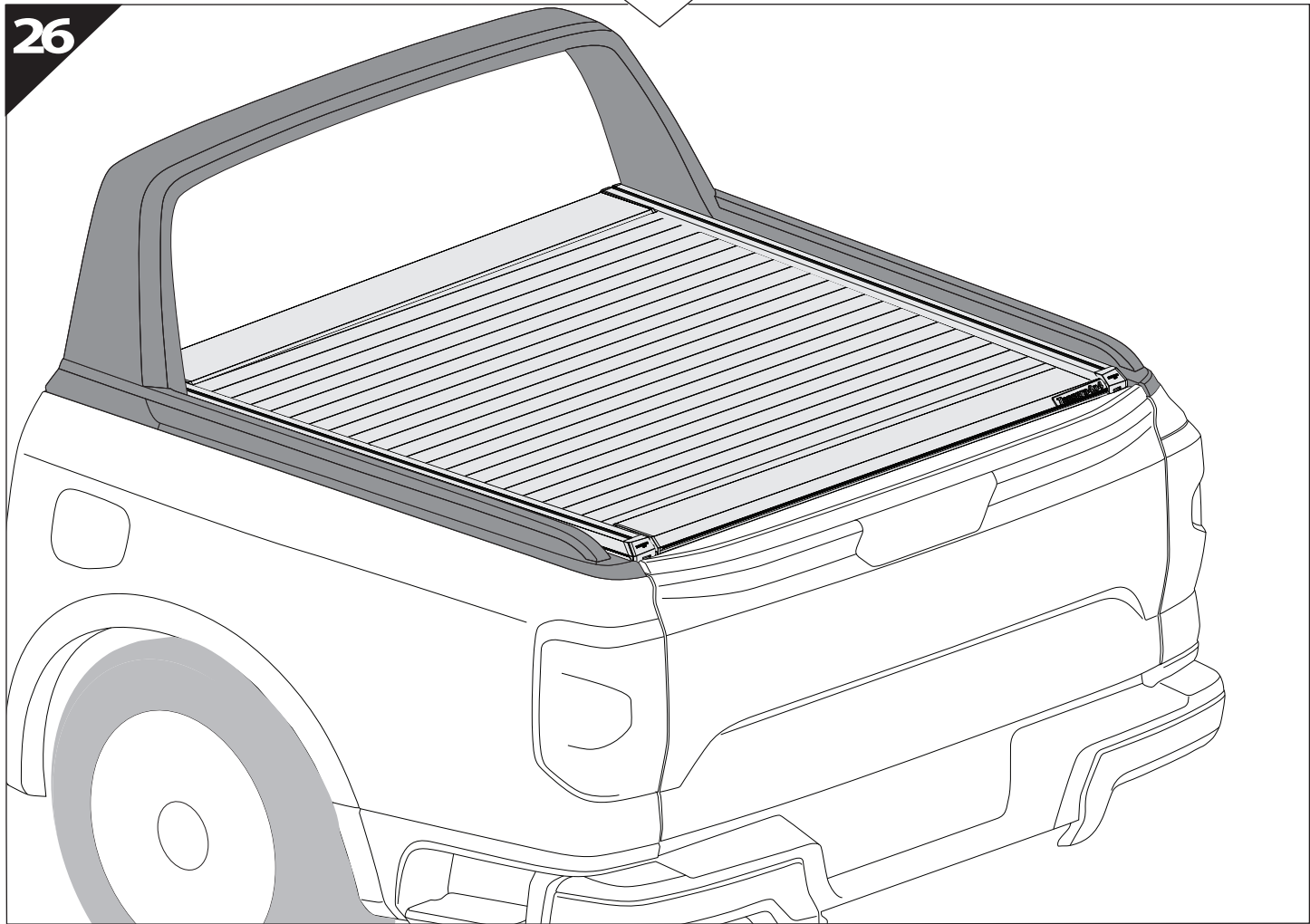




25



26





GR: Οδηγίες Εγκατάστασης
GB: Installation manual
SF: Asennusohje
F: Notice de montage
PL: Instrukcja montażu
NL: Installatie-instructies
TR: Montaj Talimatı
S: Monteringsanvisning
E: Instrucciones de montaje

H: Szerelési utasítás
P: Instruções de instalação
RUS: Инструкция по установке
N: Monteringsveiledning
D: Einbauanleitung
CZ: Návod k instalaci
I: Istruzioni de montaggio
DK: Monteringsvejledning
RO: Instructiuni de instalare

Customer Service:

+30 (210) 5541161, +30 (210) 5541154 (08:00 - 16:00 EET)

Support department:

info@gianso.gr

Website:

www.tessera4x4.com

Address:

19.5 km of National road Athens-Korinthos (Elefsina) Greece, P.C: 19200