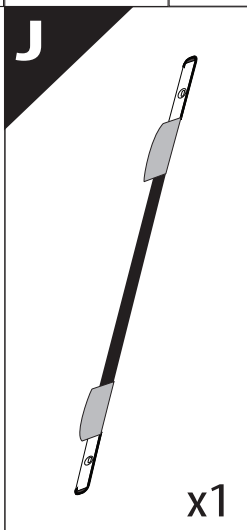
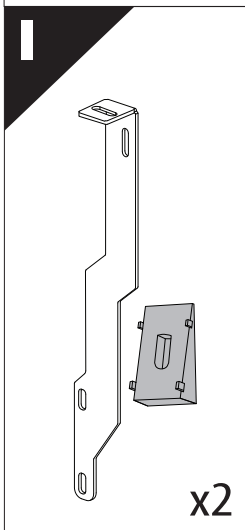
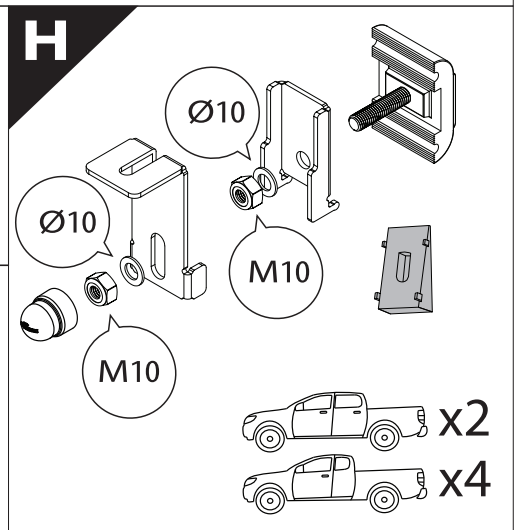
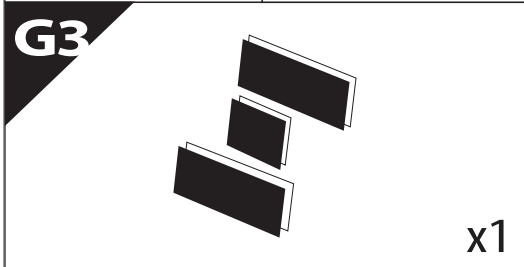
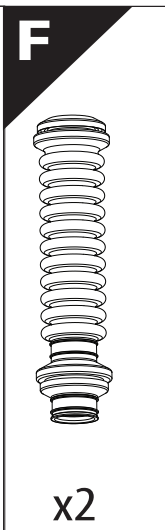
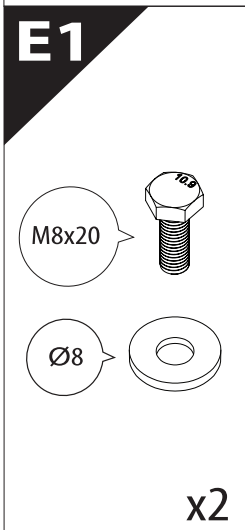
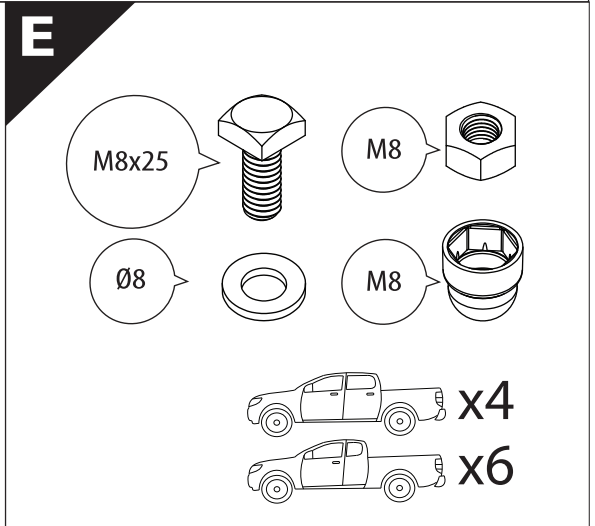
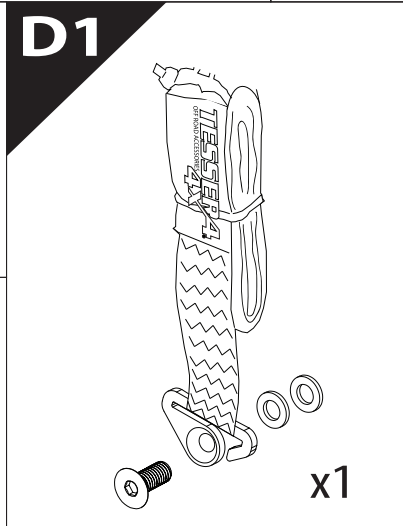
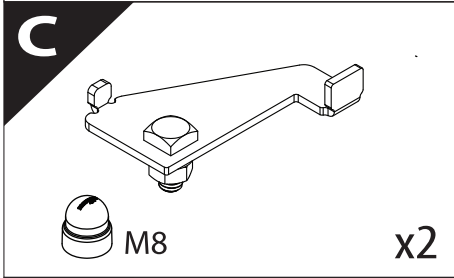
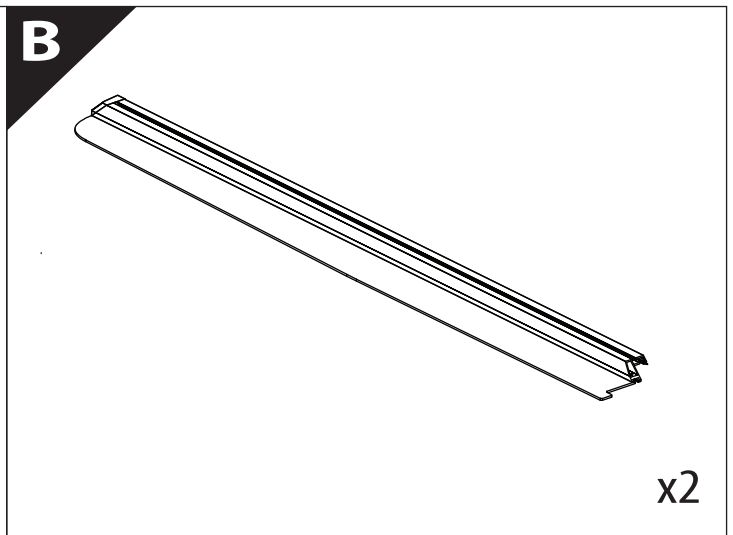
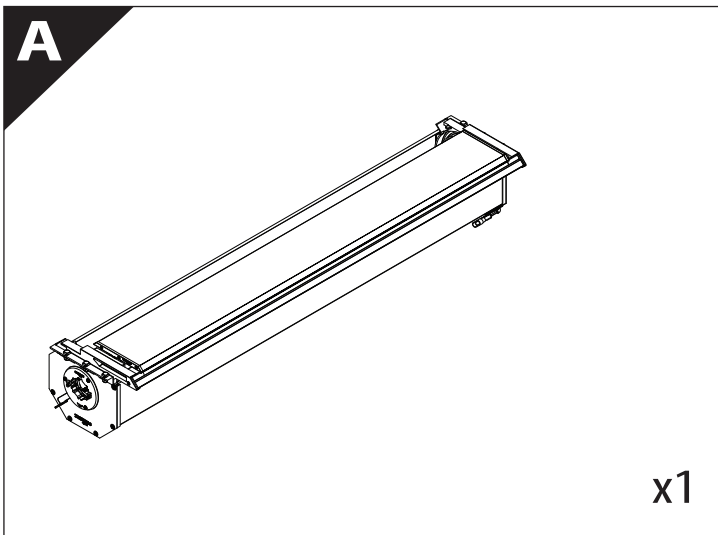


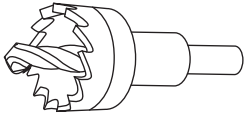


## Installation Manual

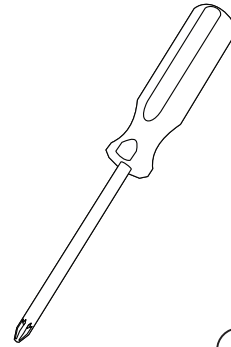
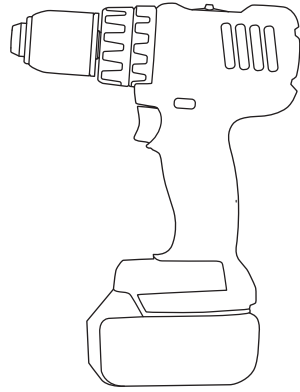
PART NUMBER(S)	Model Year
TESS 15060 SE	FORD RANGER 2023+ (P 703) (no c-channels)
TESS 15070 SE	
Cab(s)	Installation Time / Weight
Double Cab & Space cab	40-60 minutes / 53-57 kg



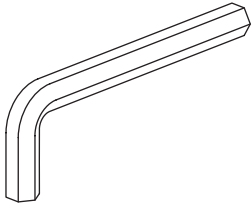
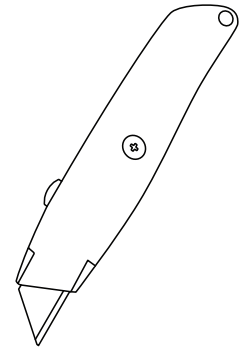




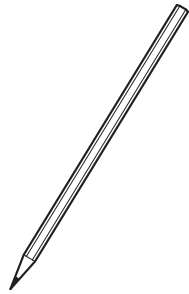
Ø 25 mm



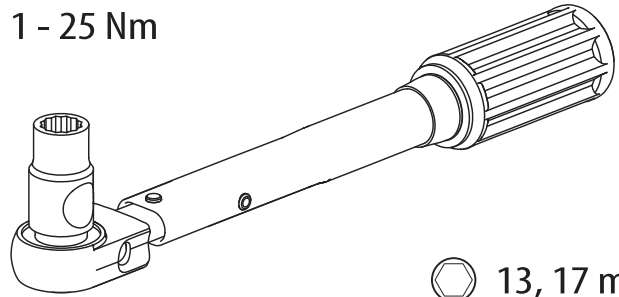
+



4 mm



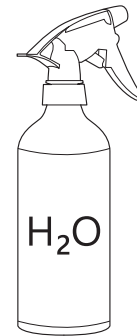
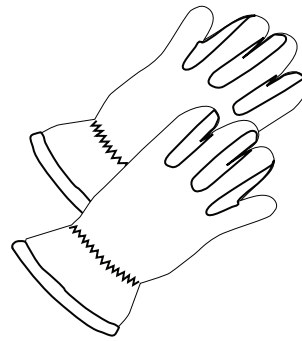
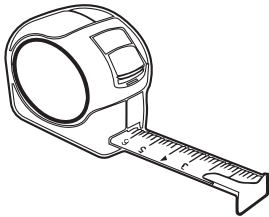
1 - 25 Nm



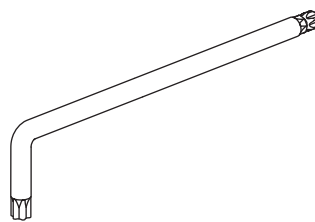
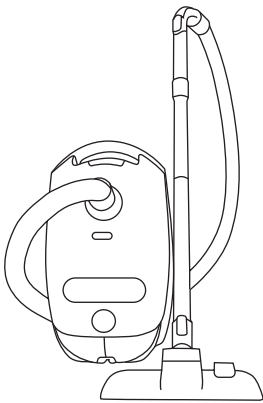
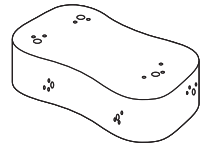
13, 17 mm



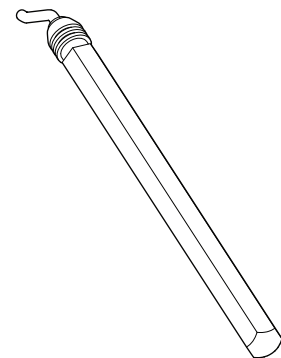
ACETONE



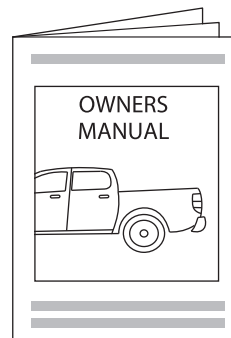
H<sub>2</sub>O



T40

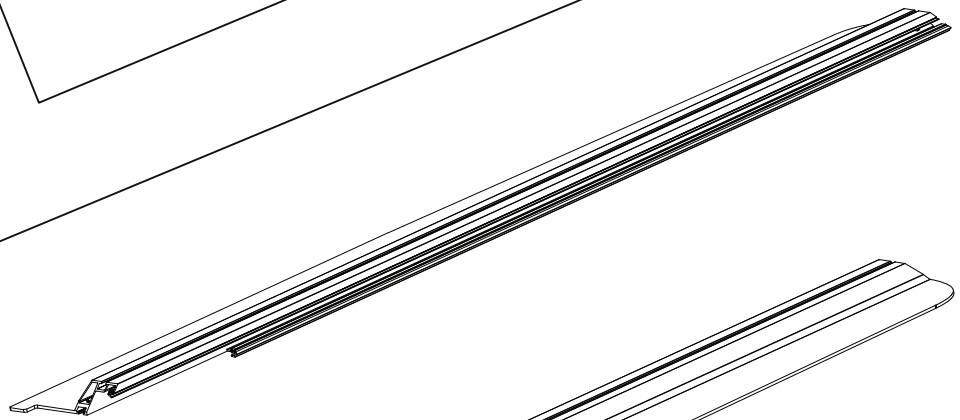
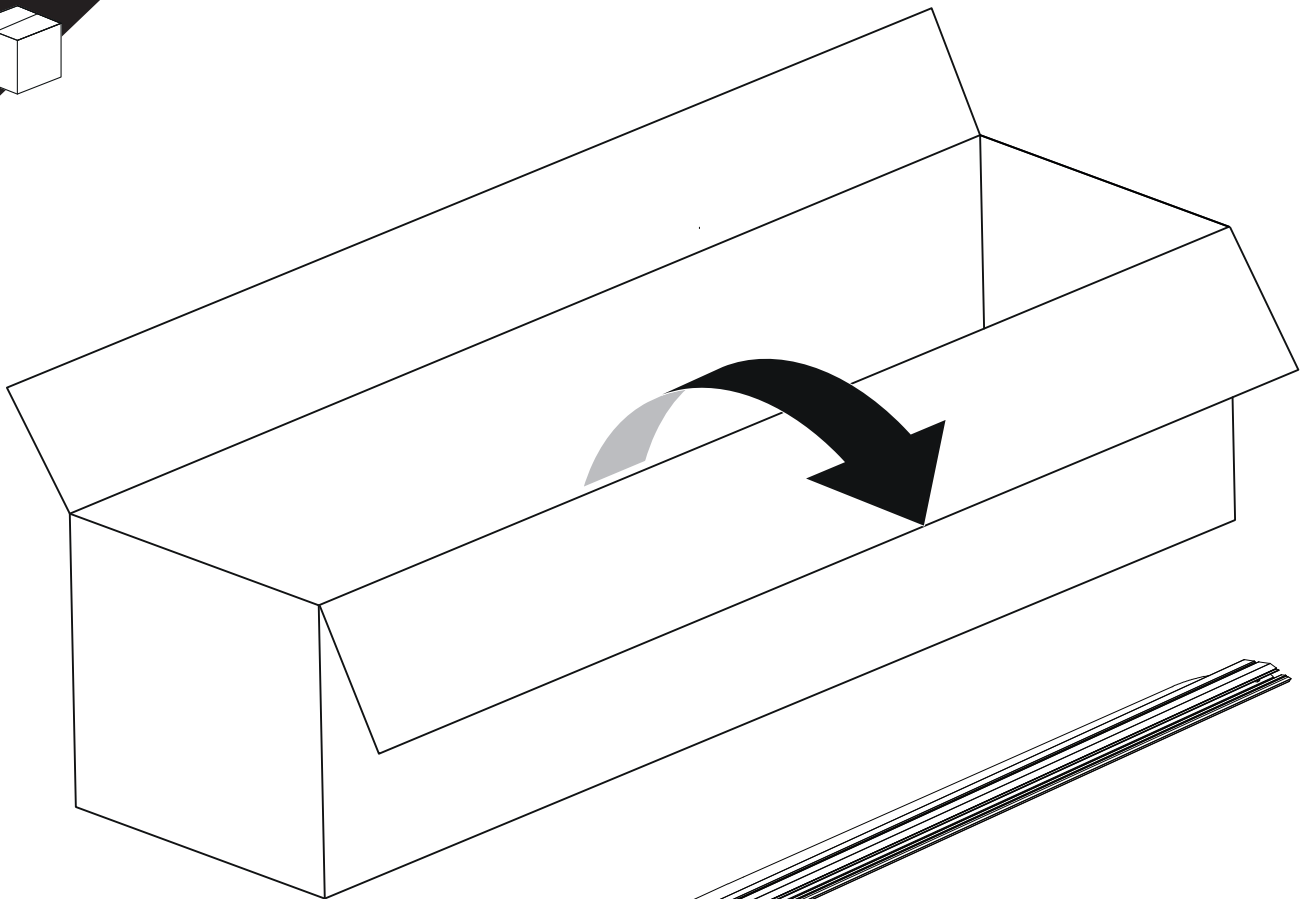


INSTALLATION  
MANUAL

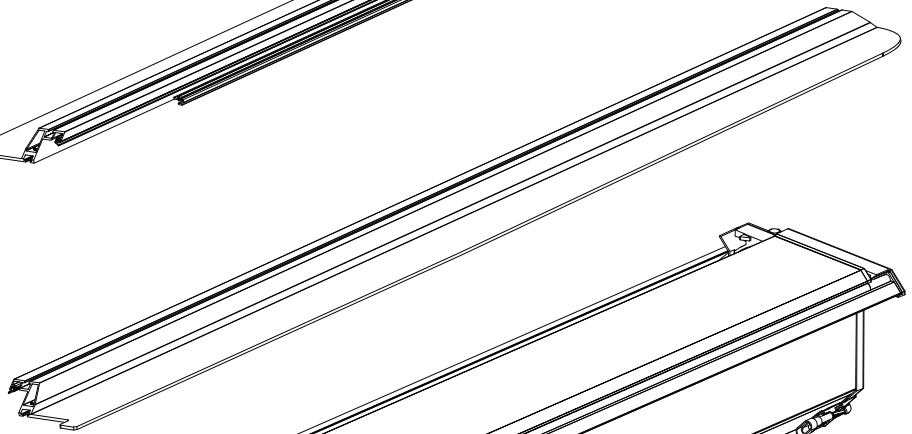


OWNERS  
MANUAL

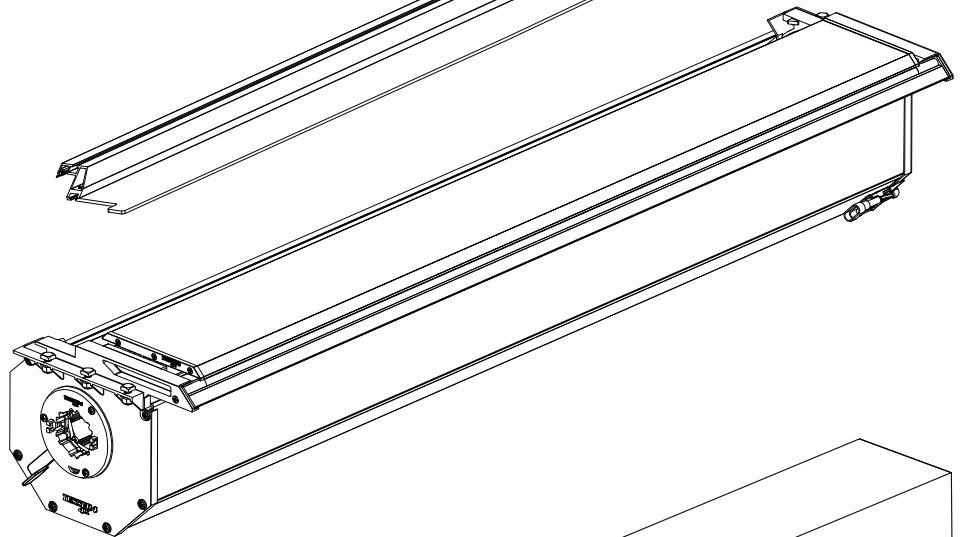
x1



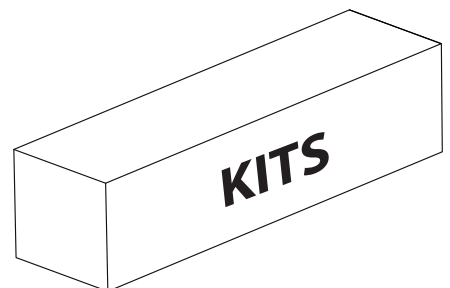
**B**



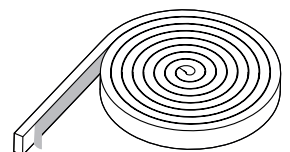
**A**

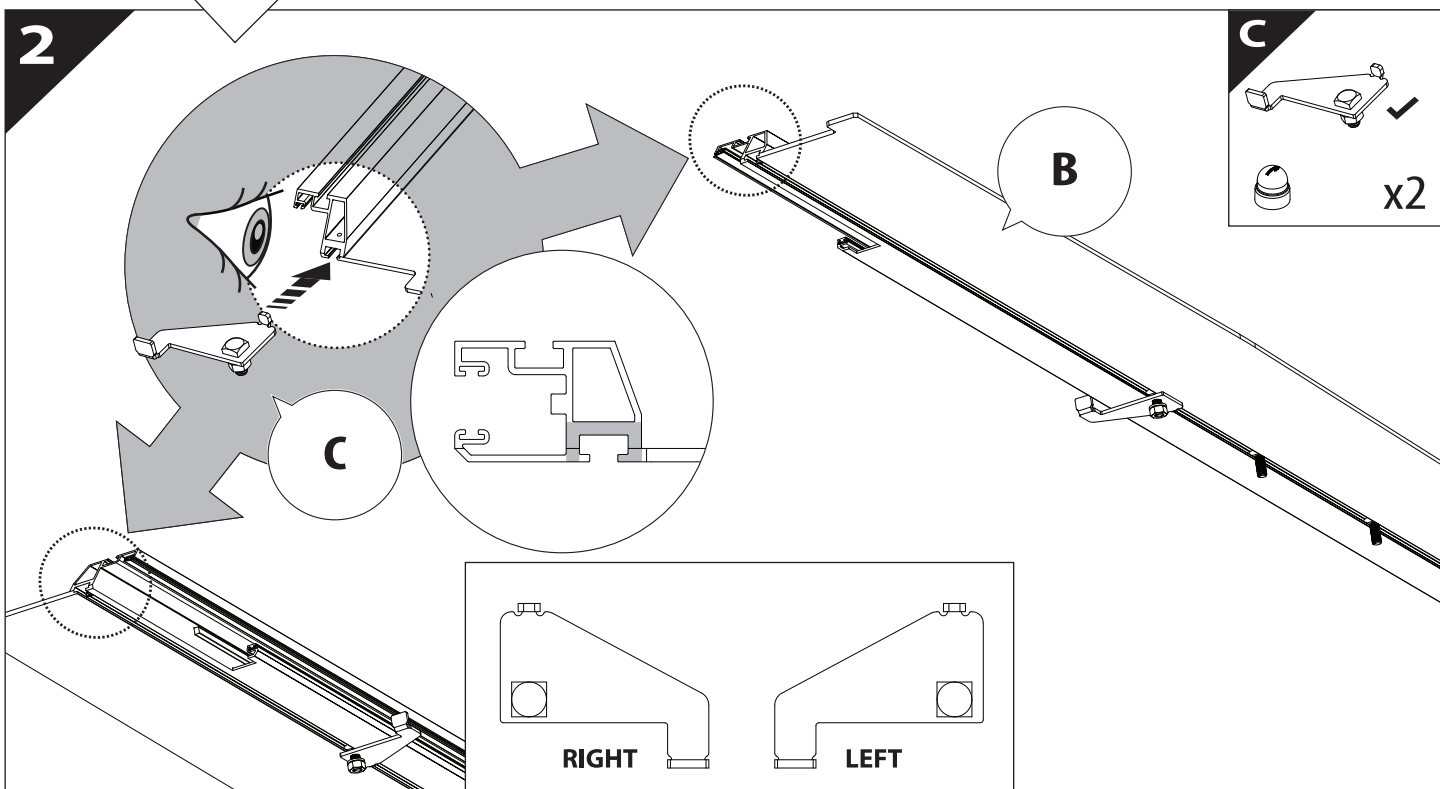
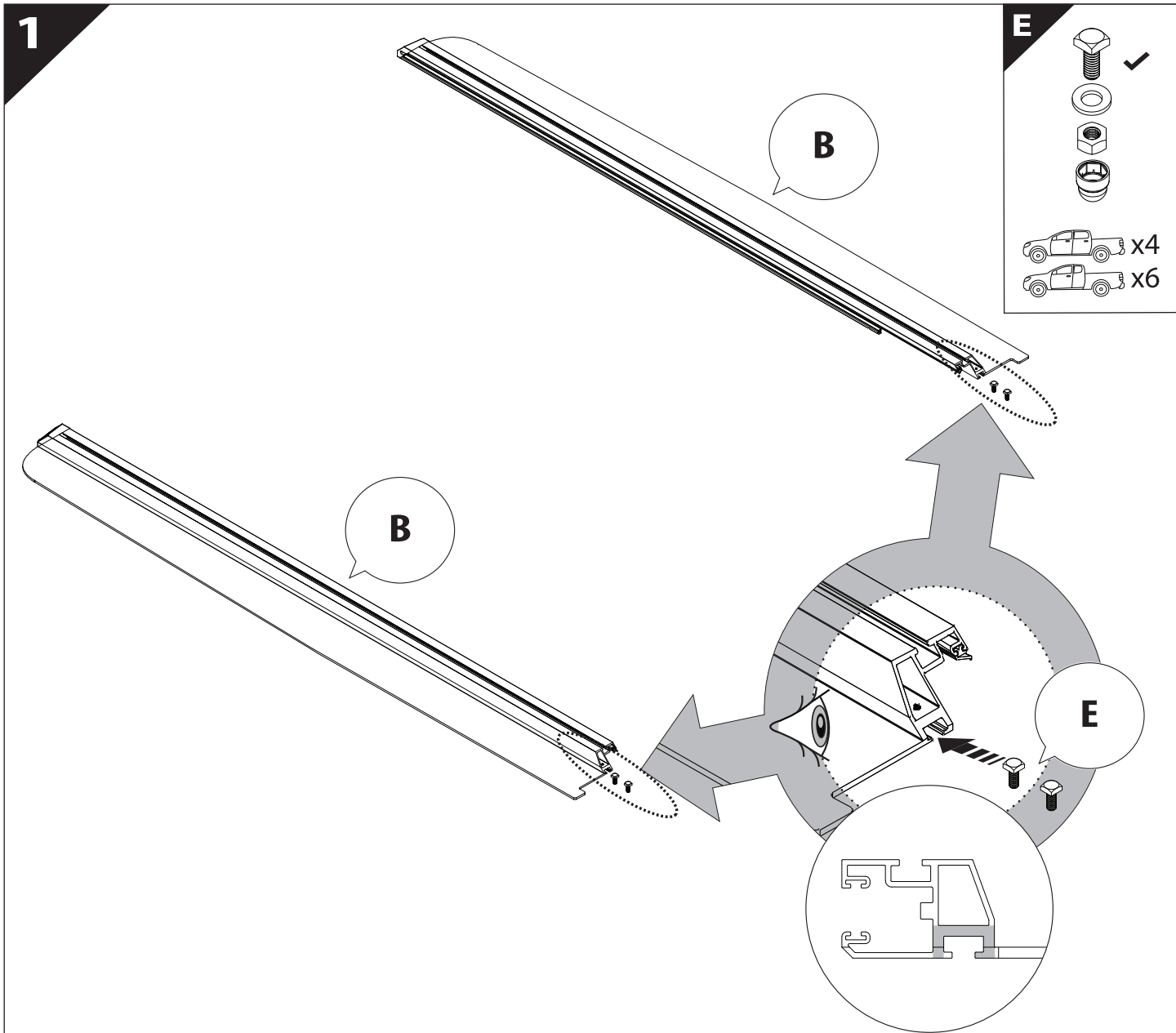


**KITS**

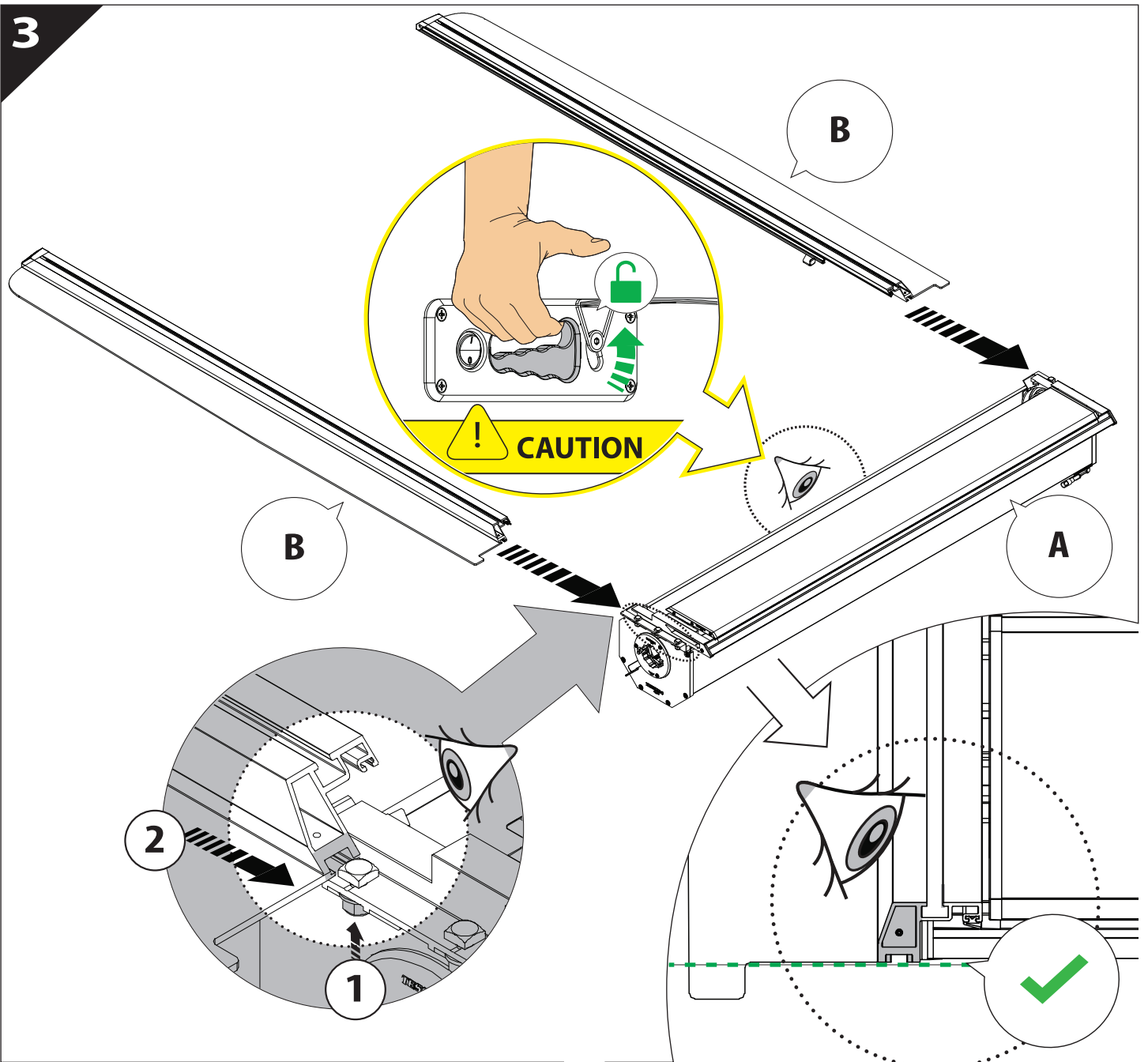


**G**

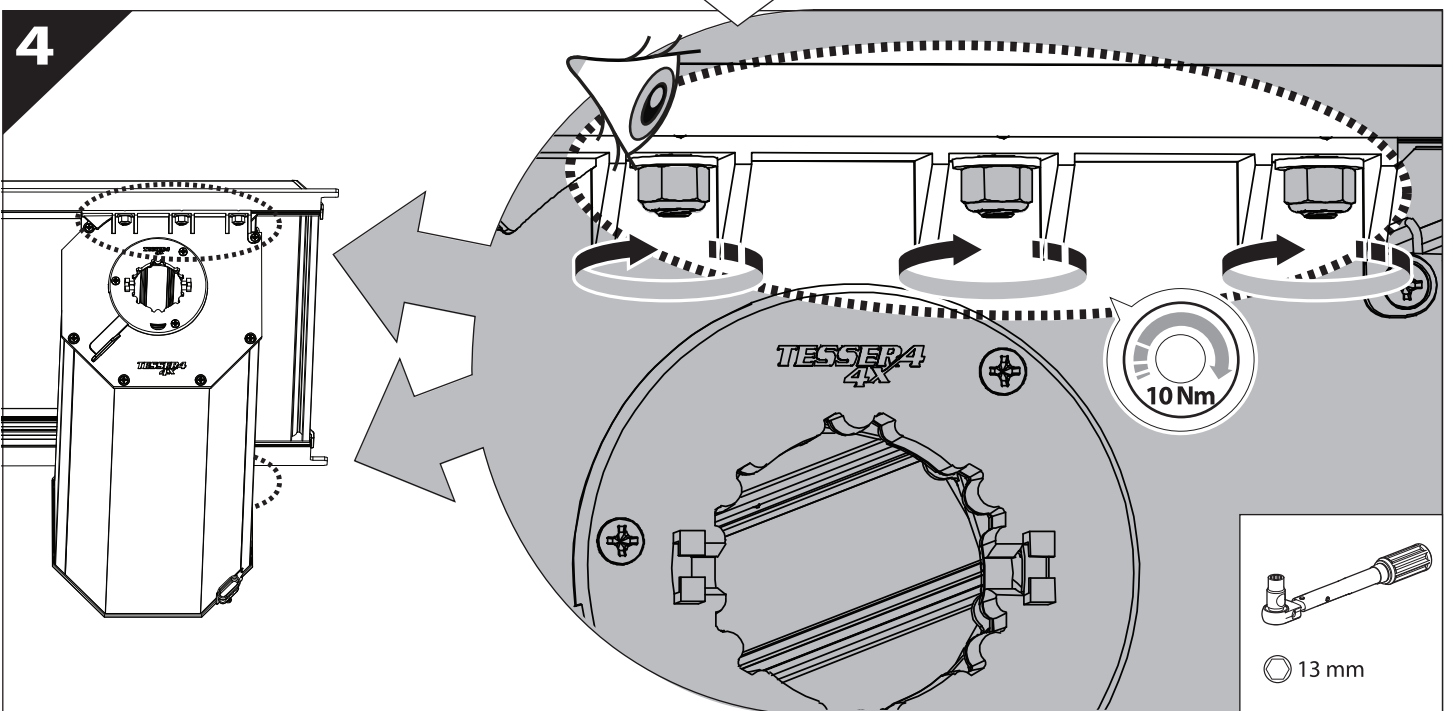


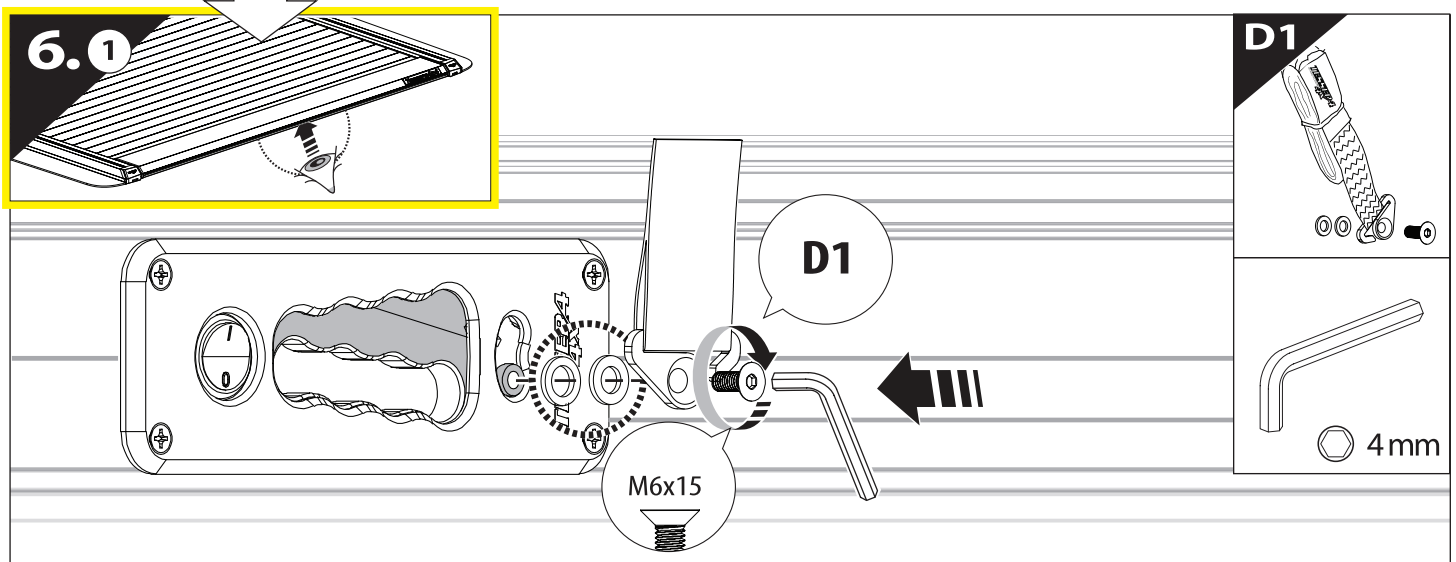
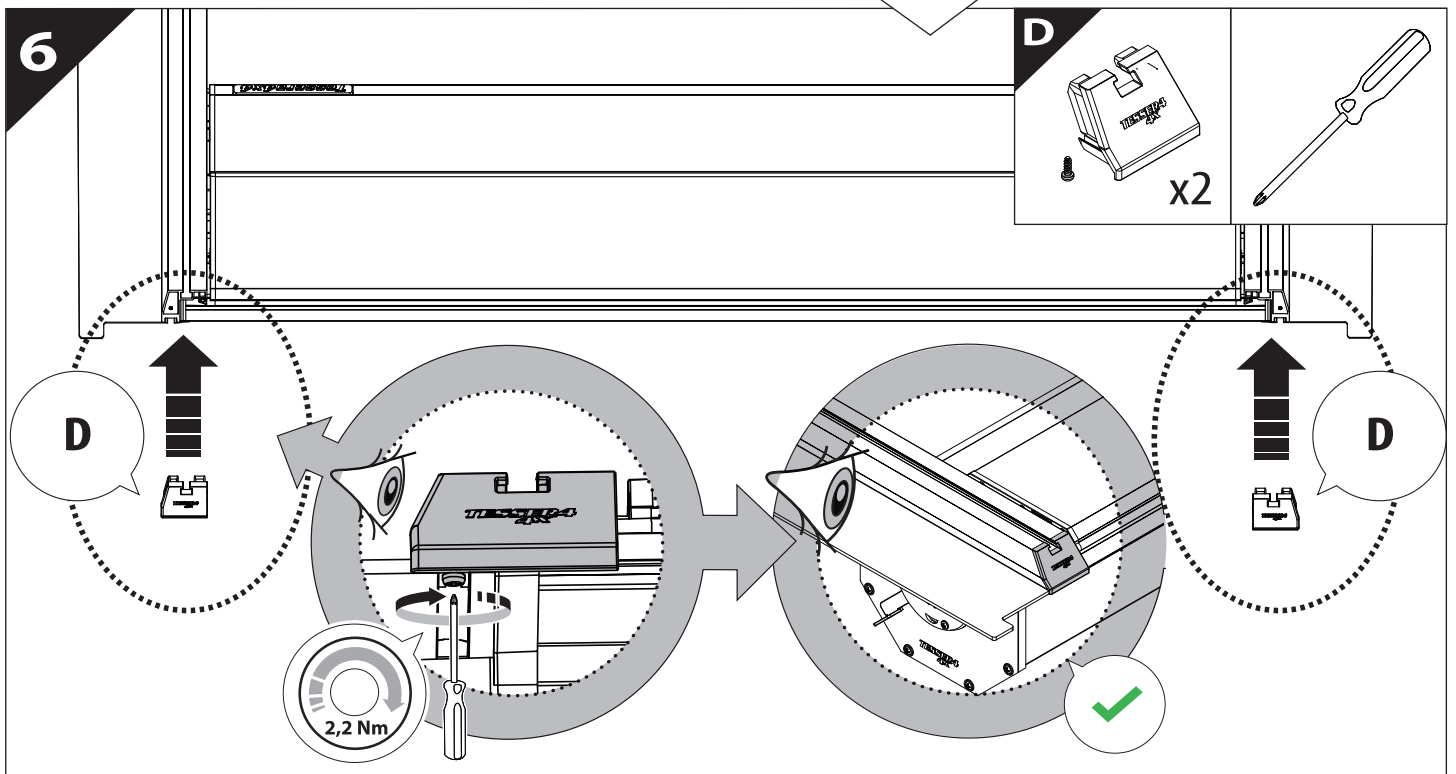
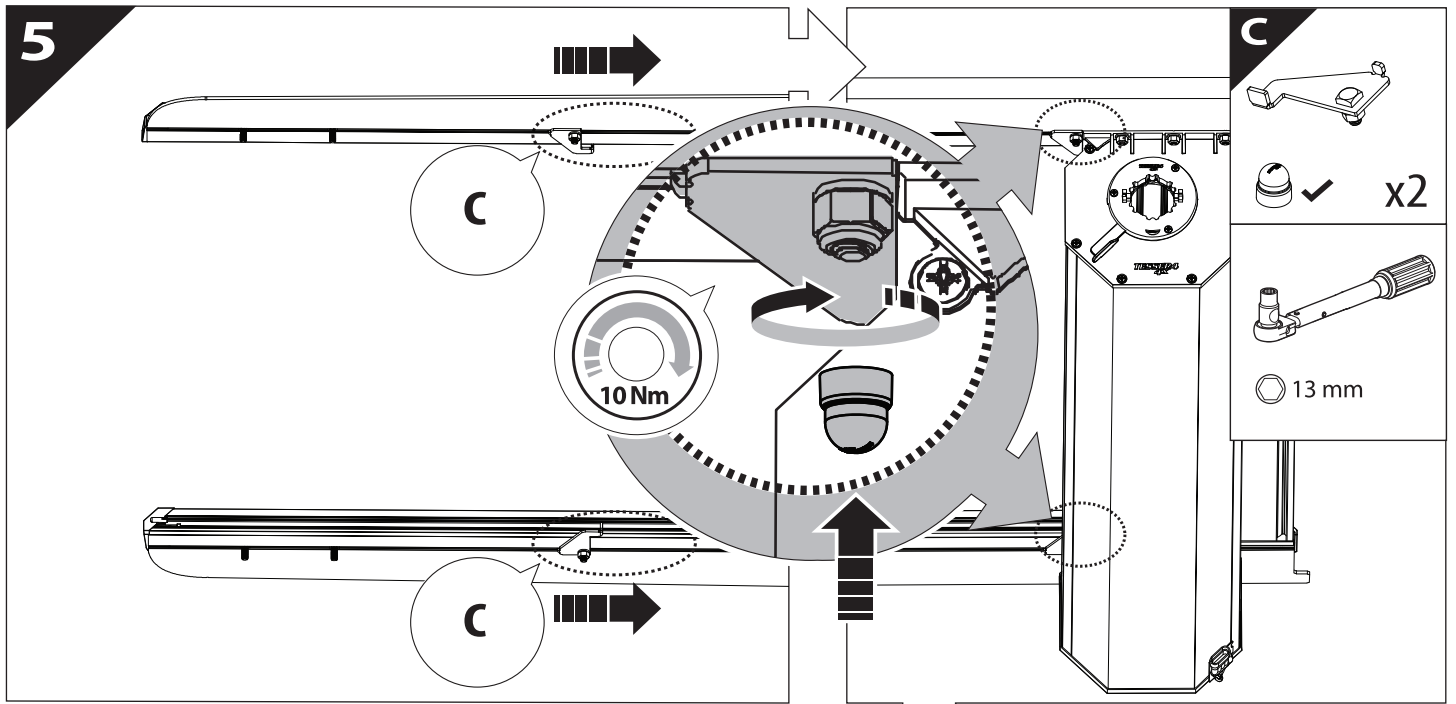


3

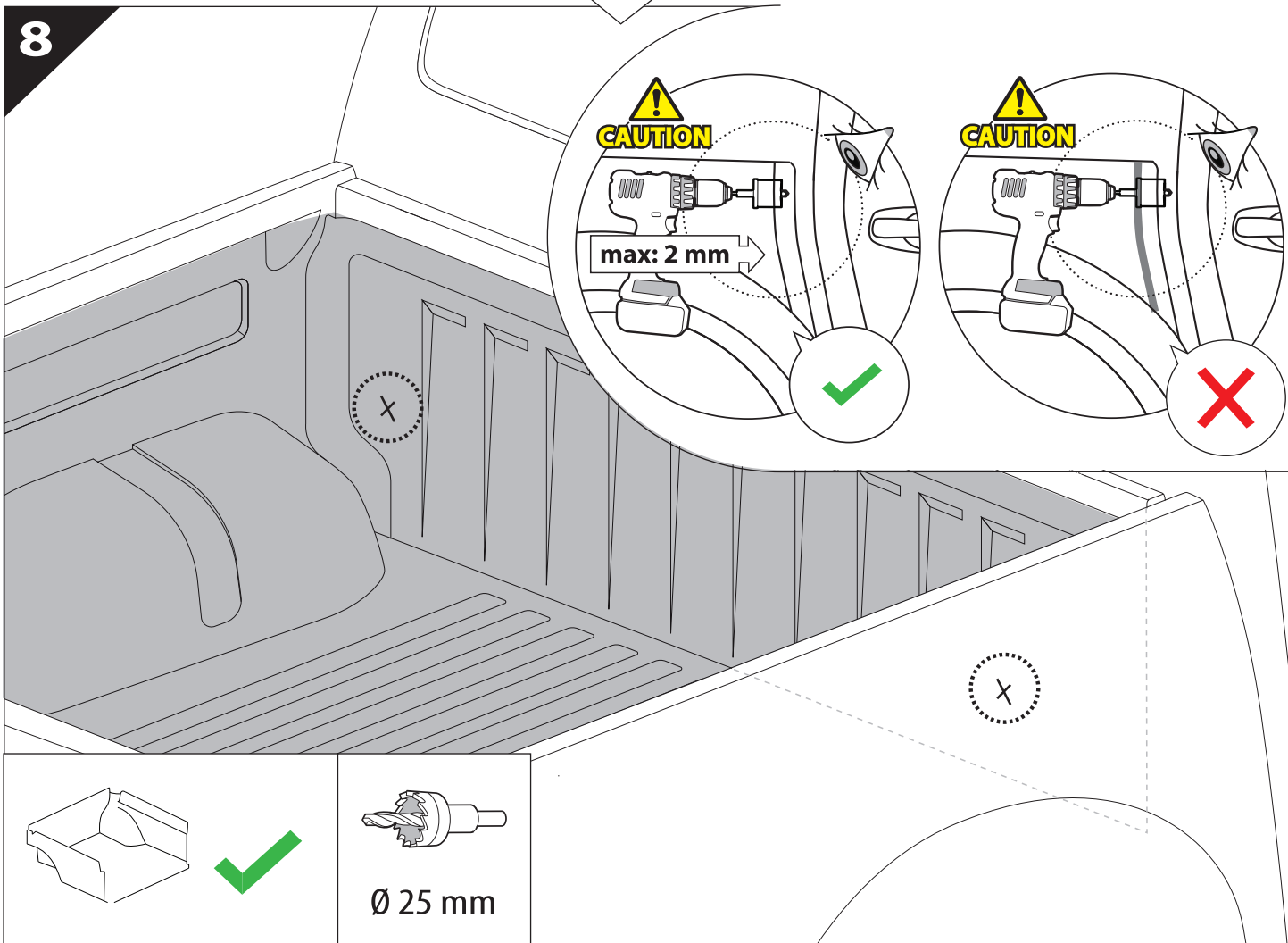
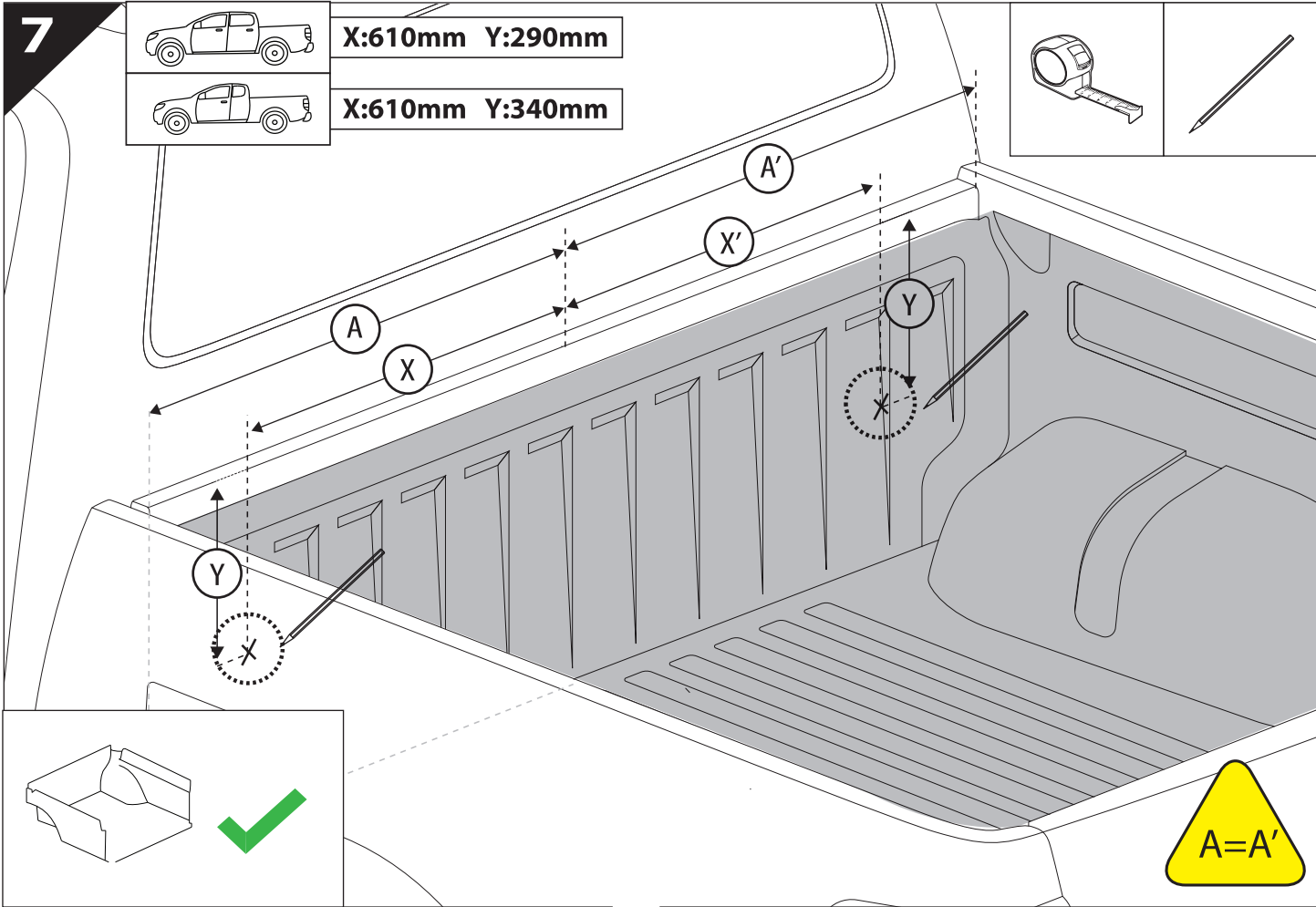


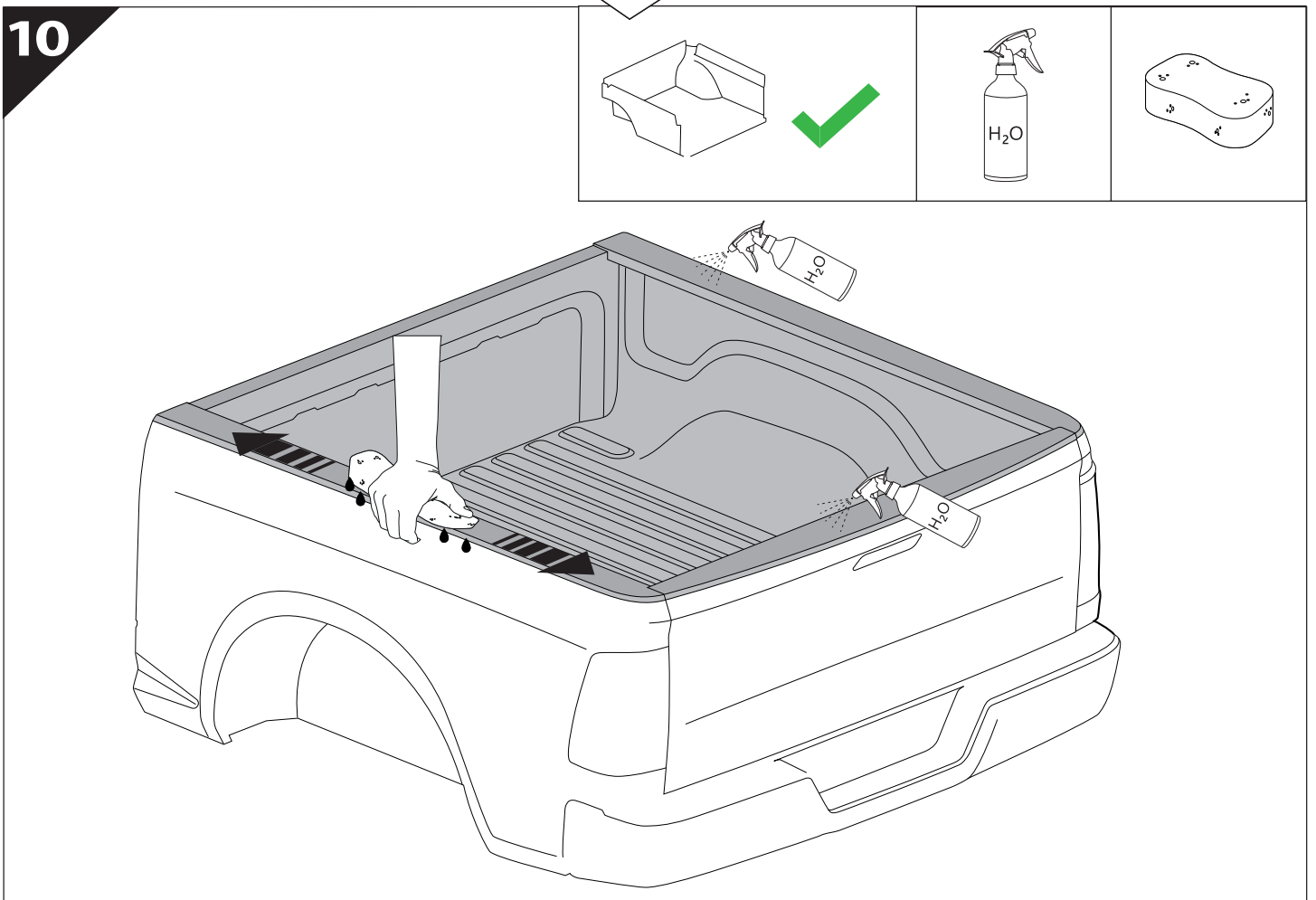
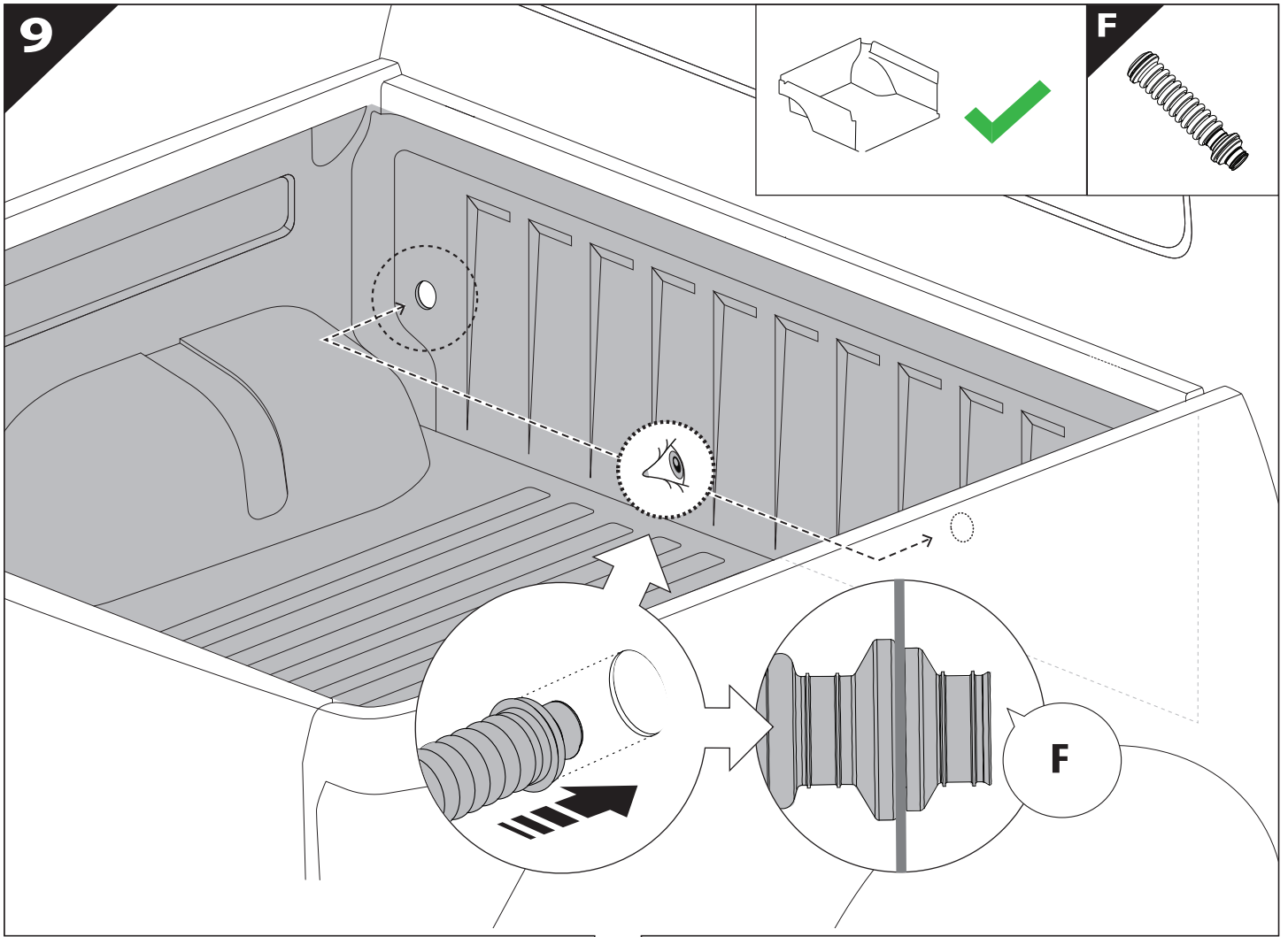
4

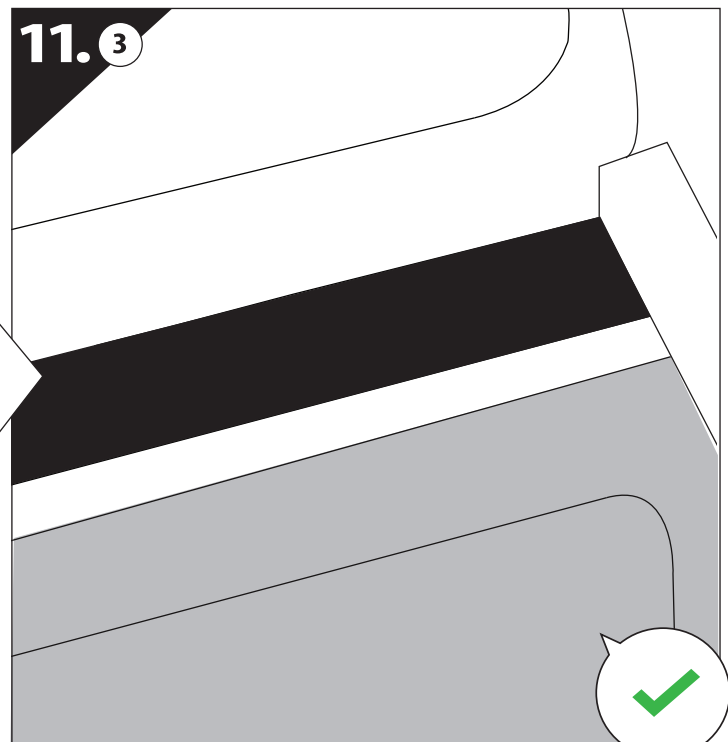
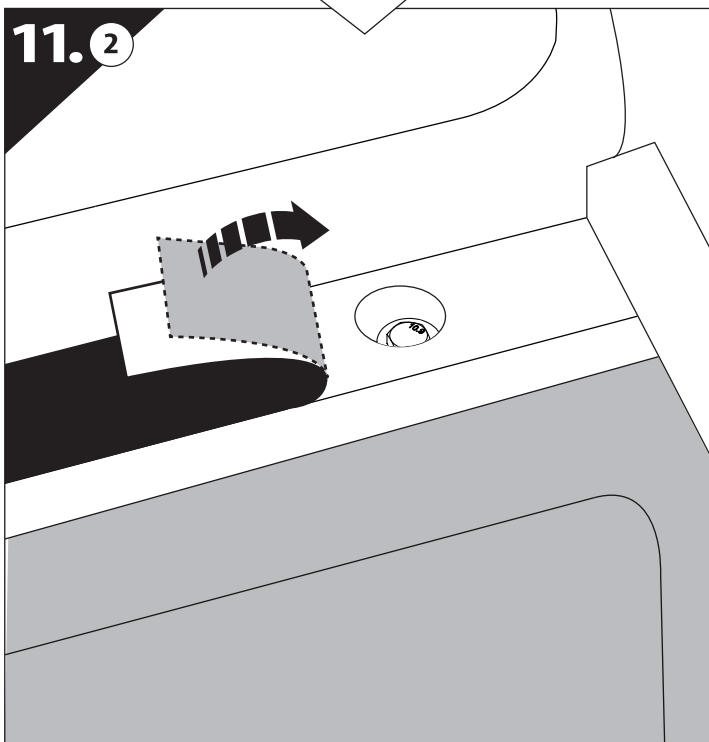
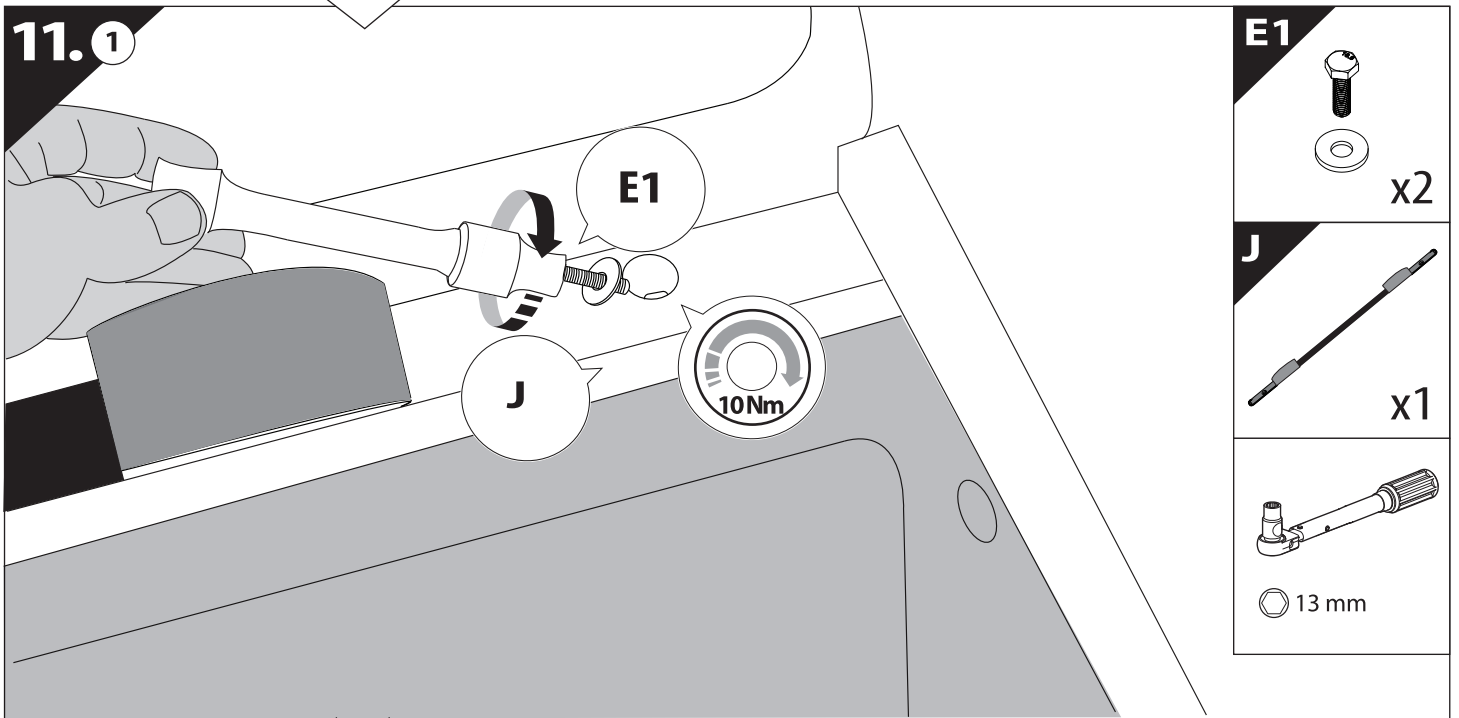
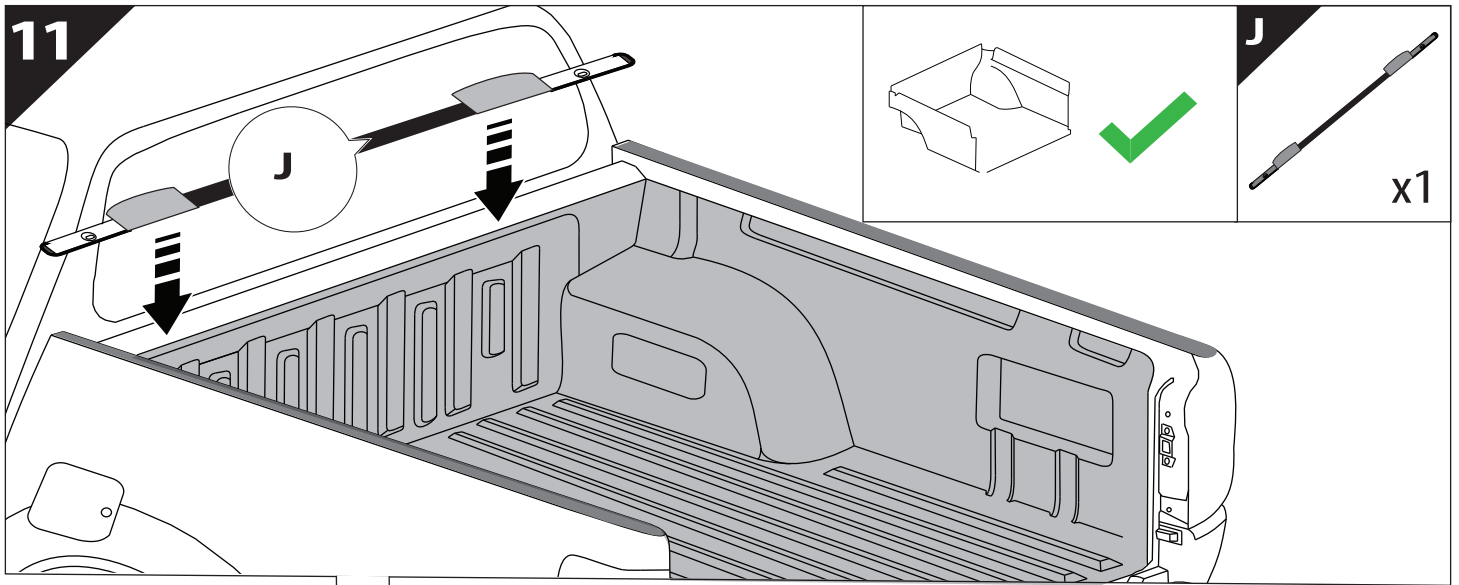




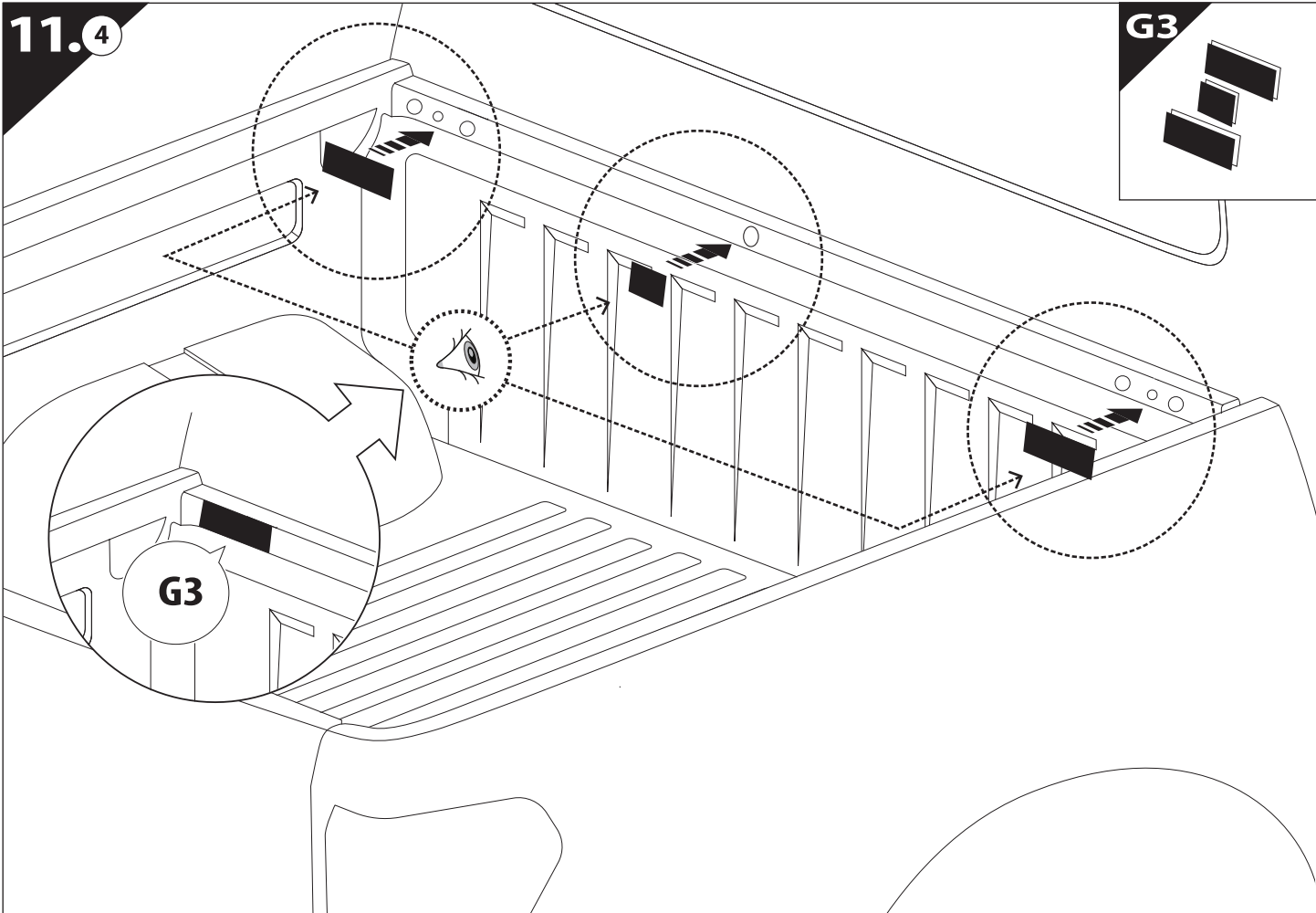


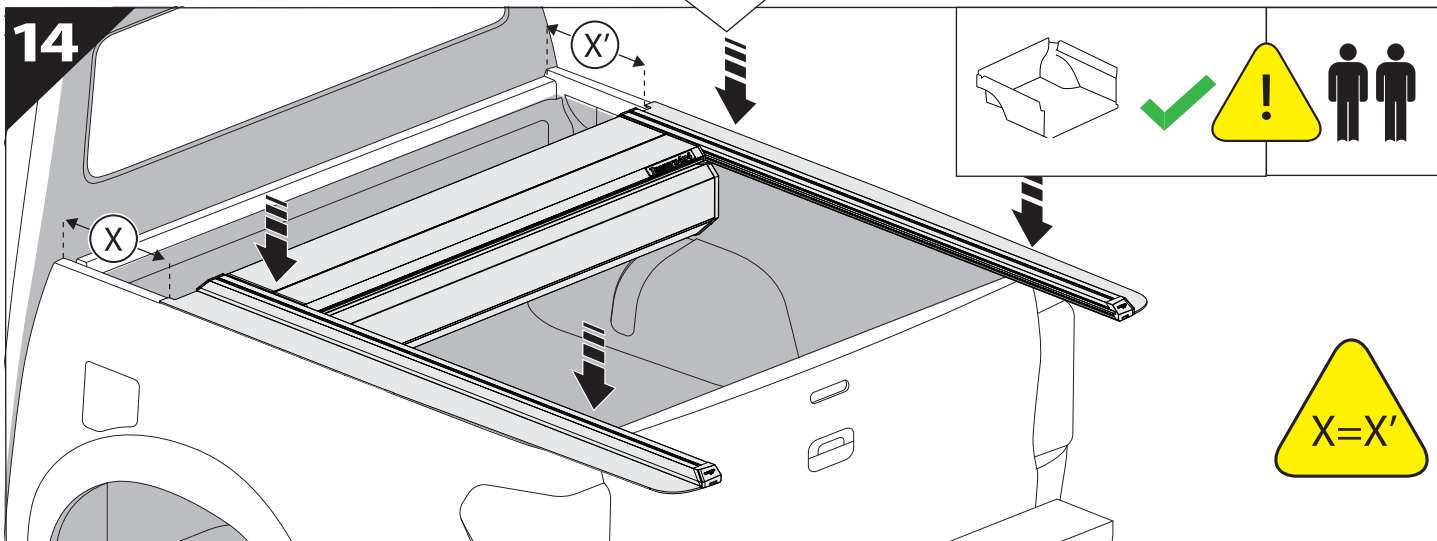
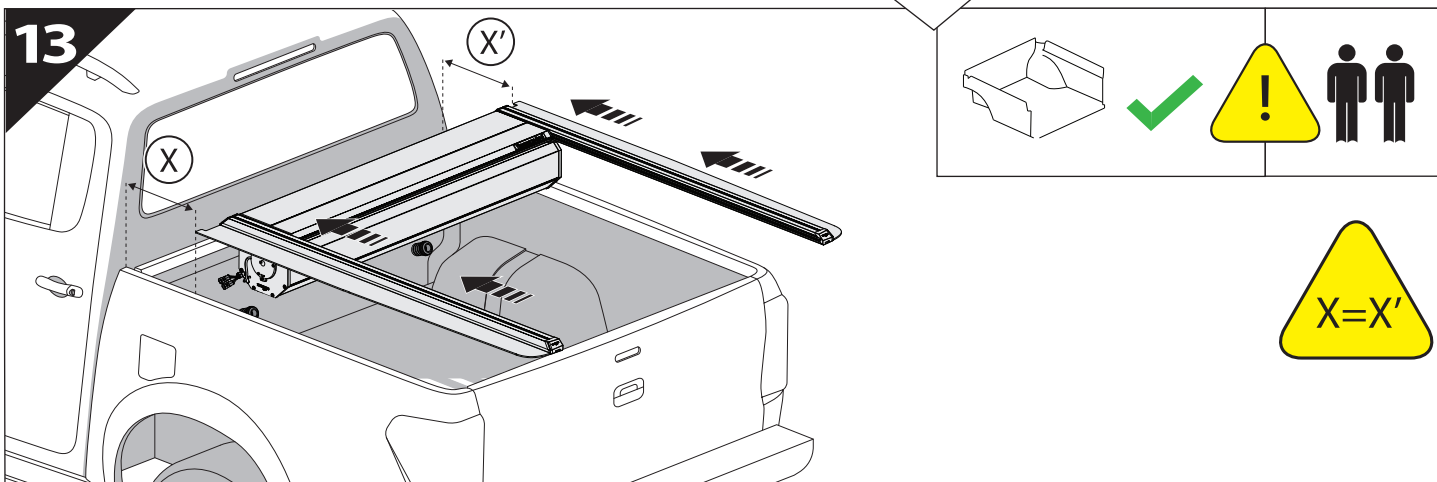
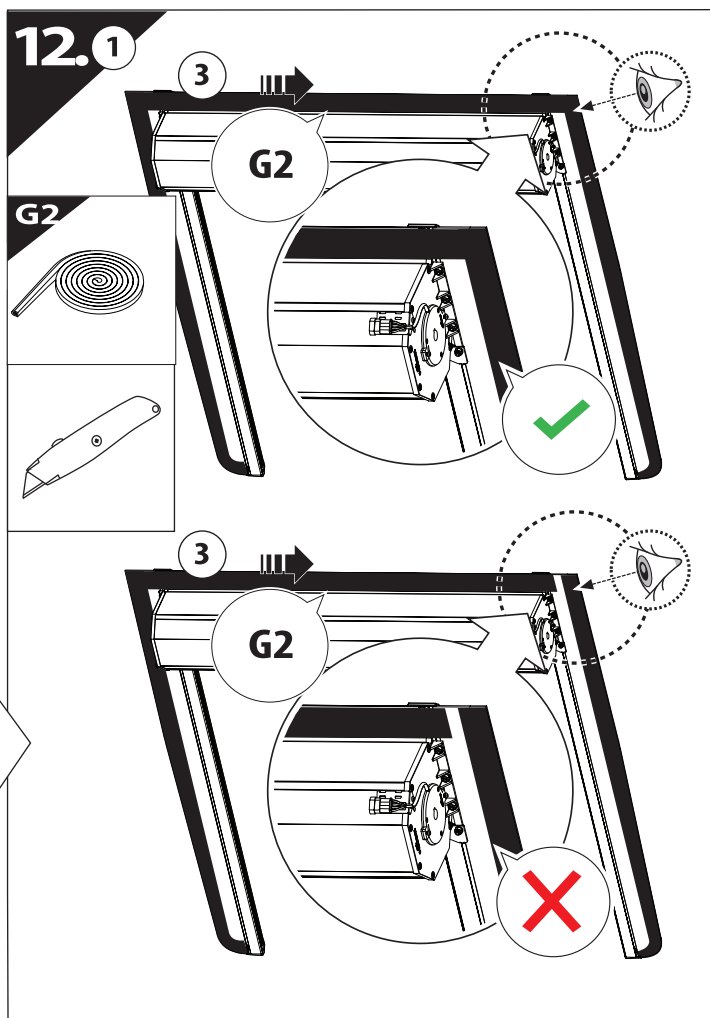
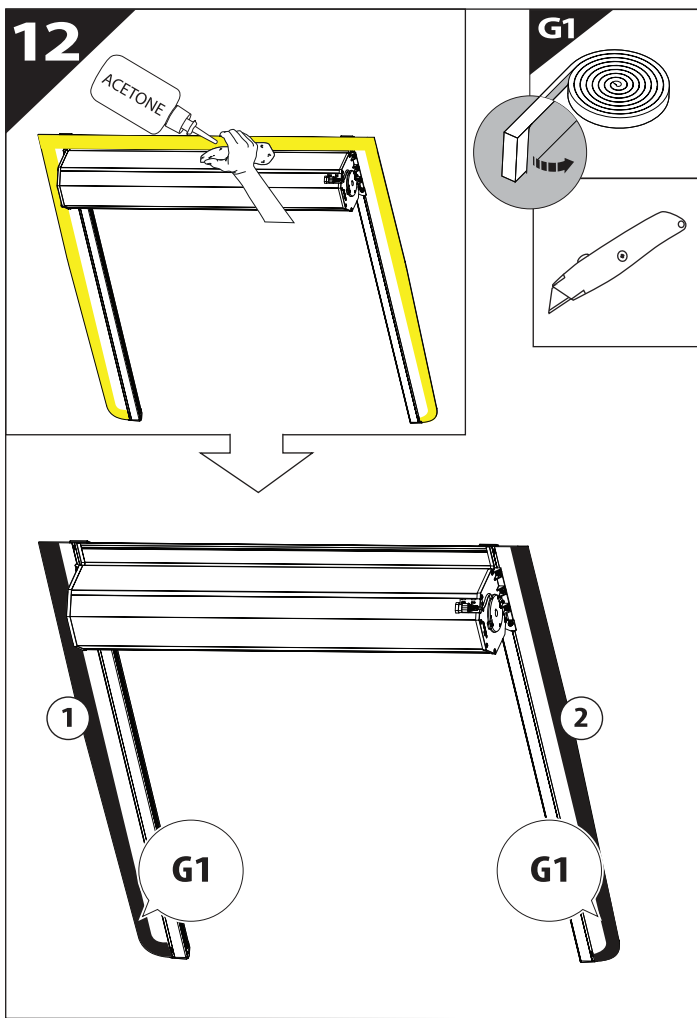




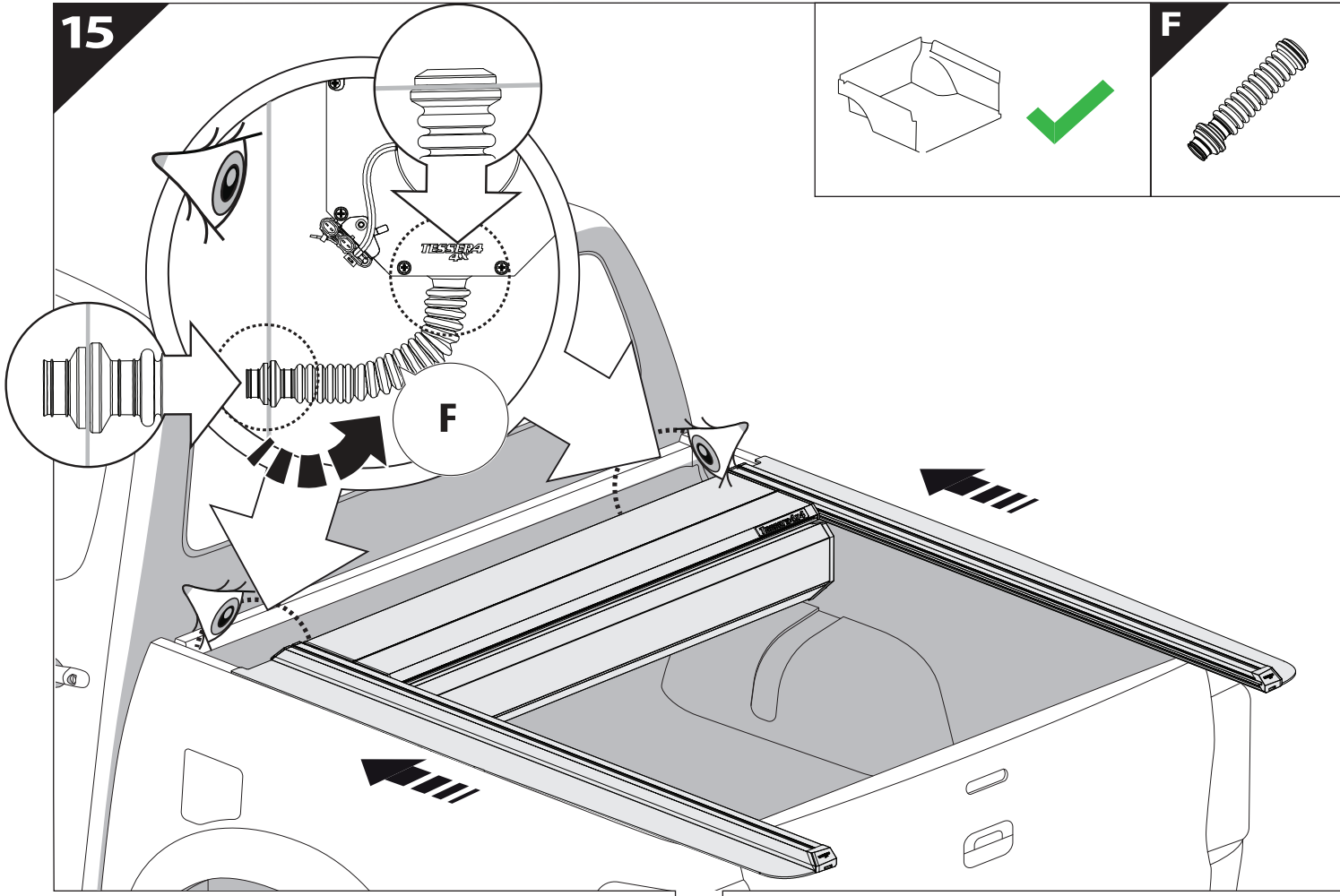


11.4

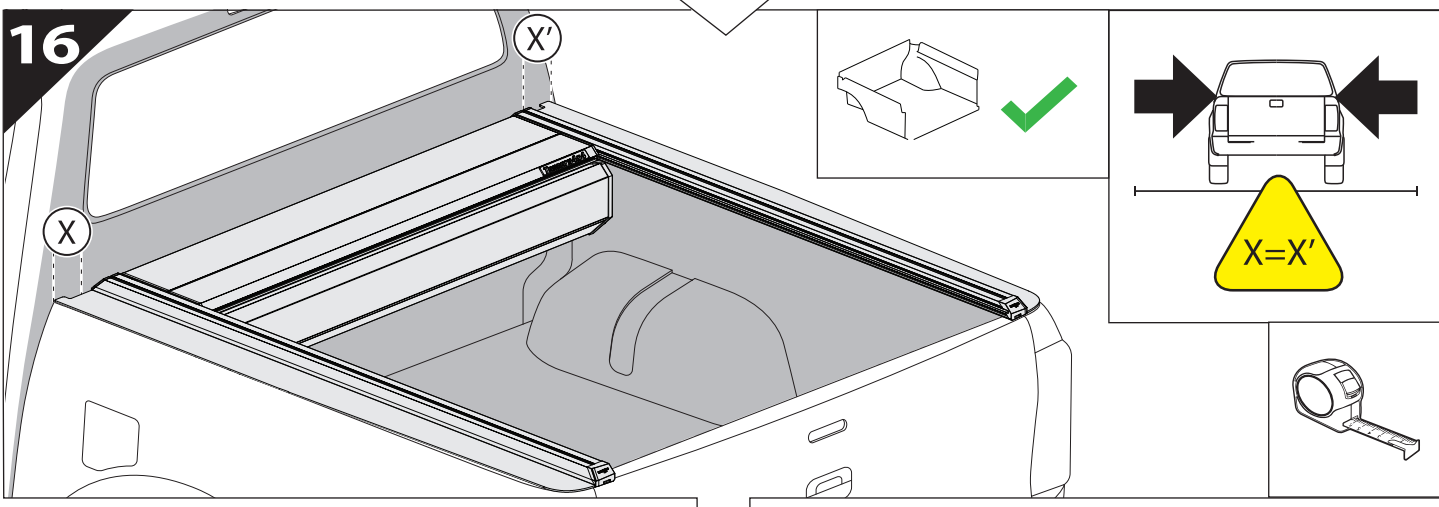




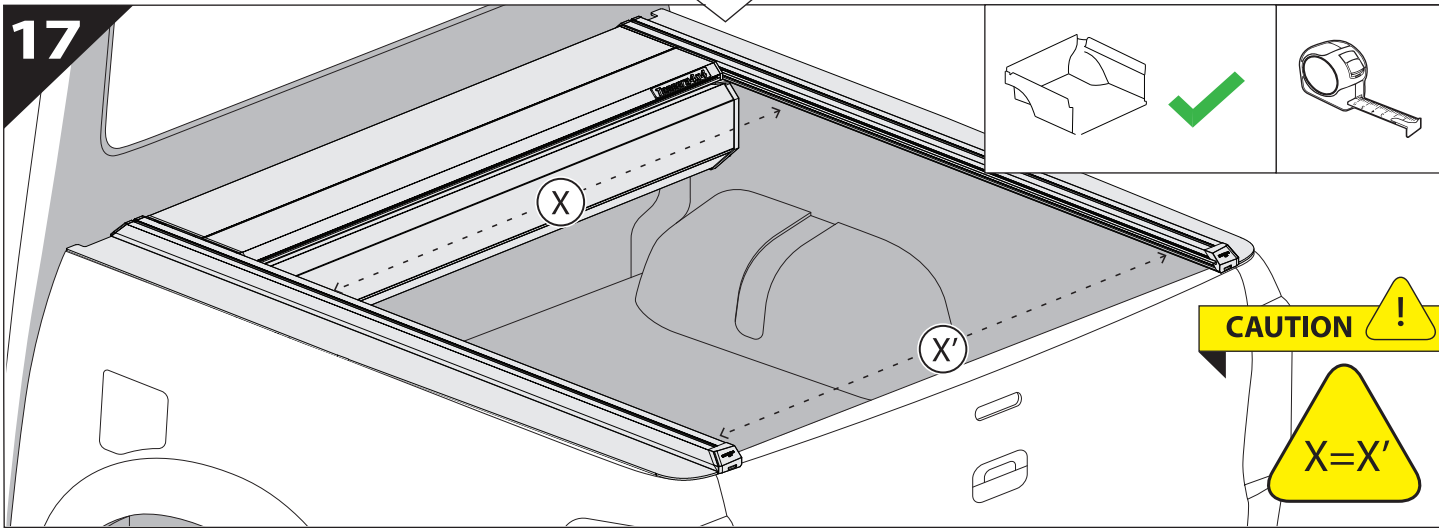
15



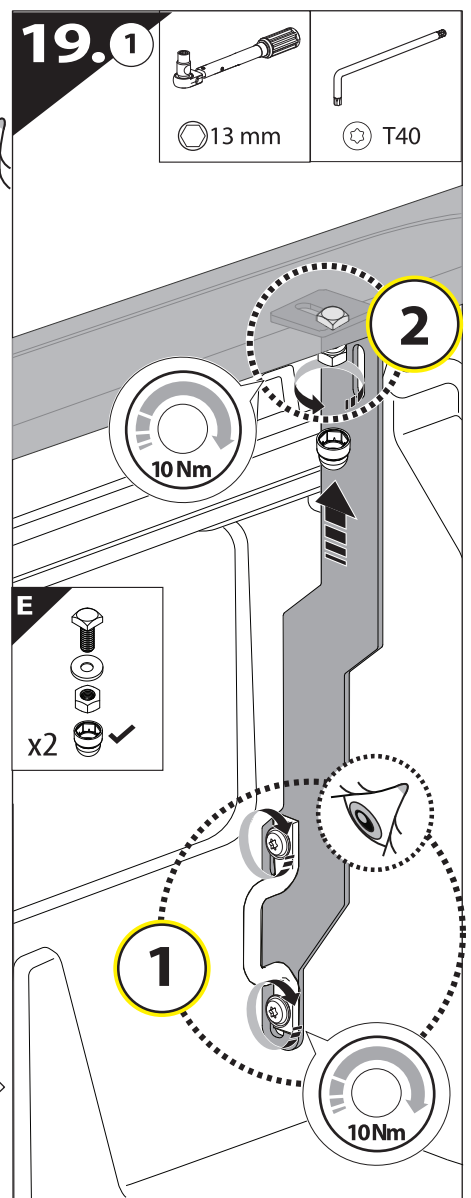
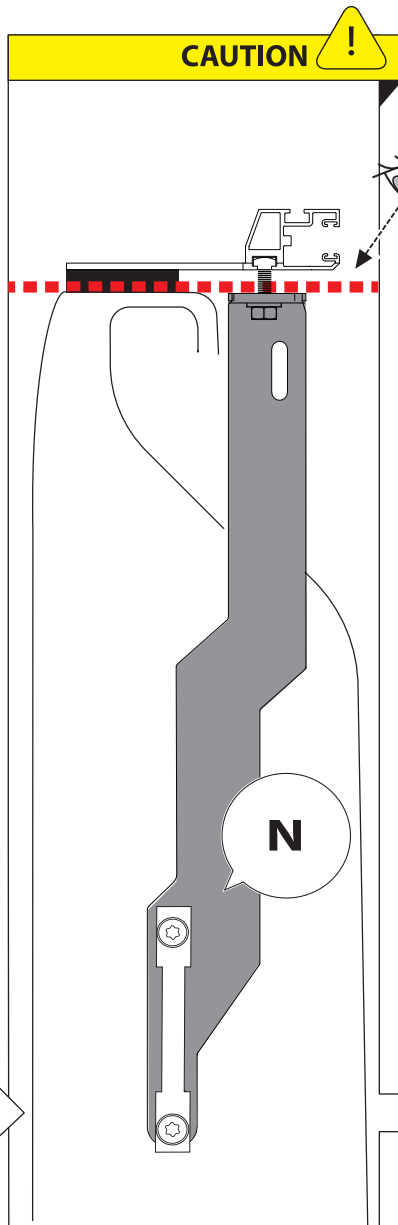
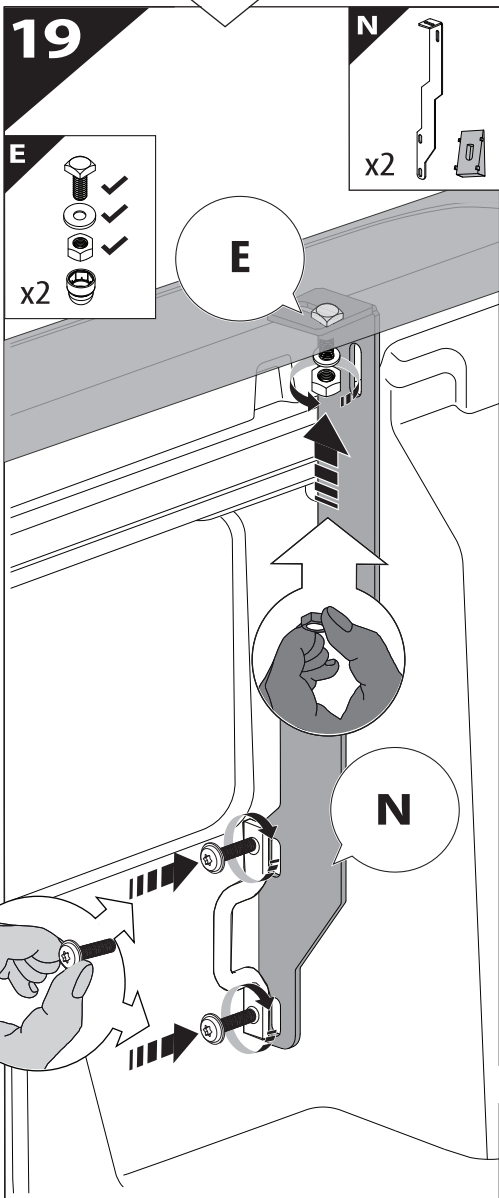
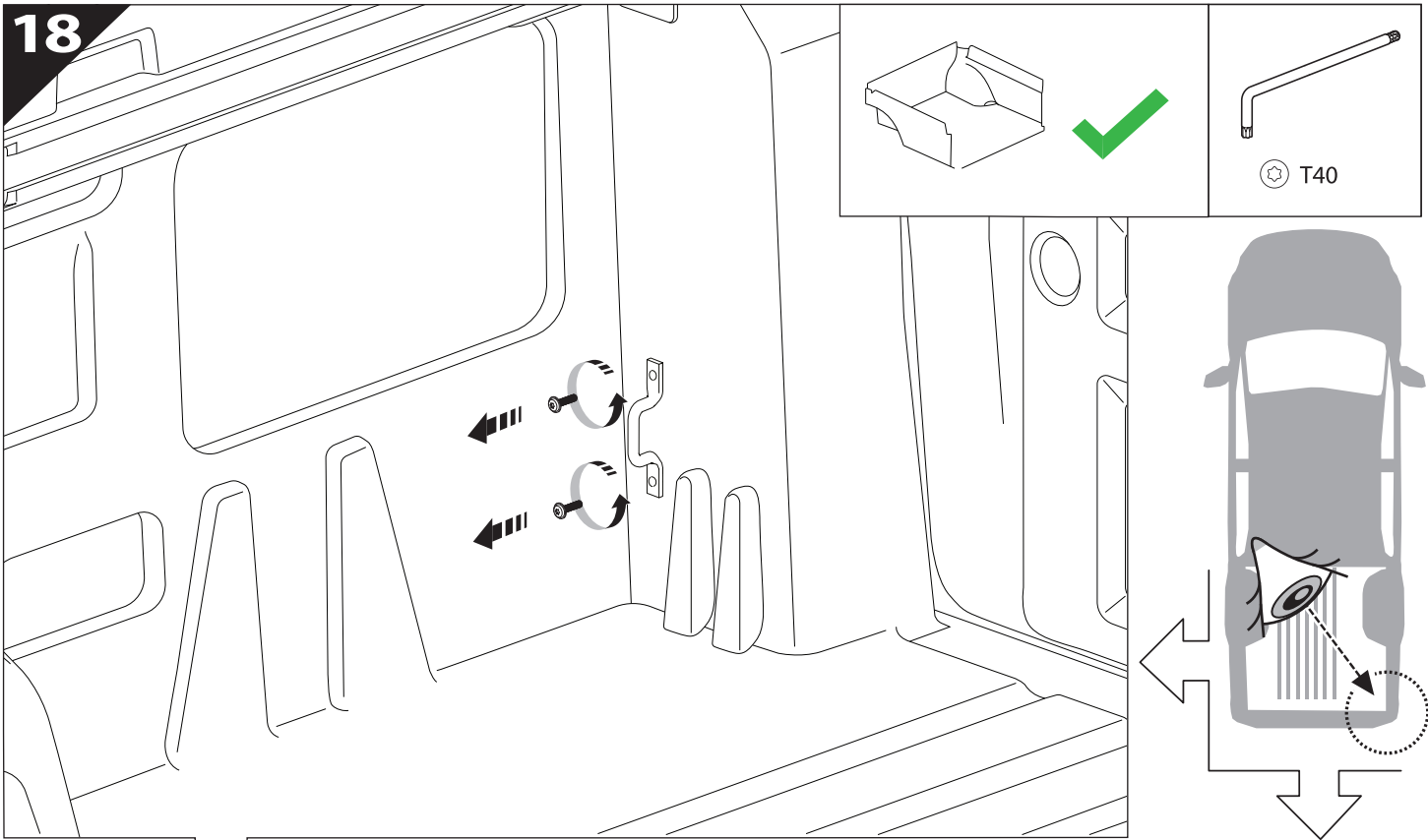
16



17

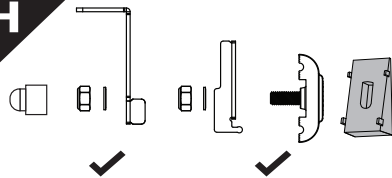






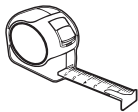
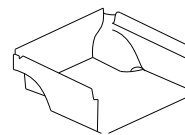
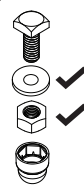
20

H

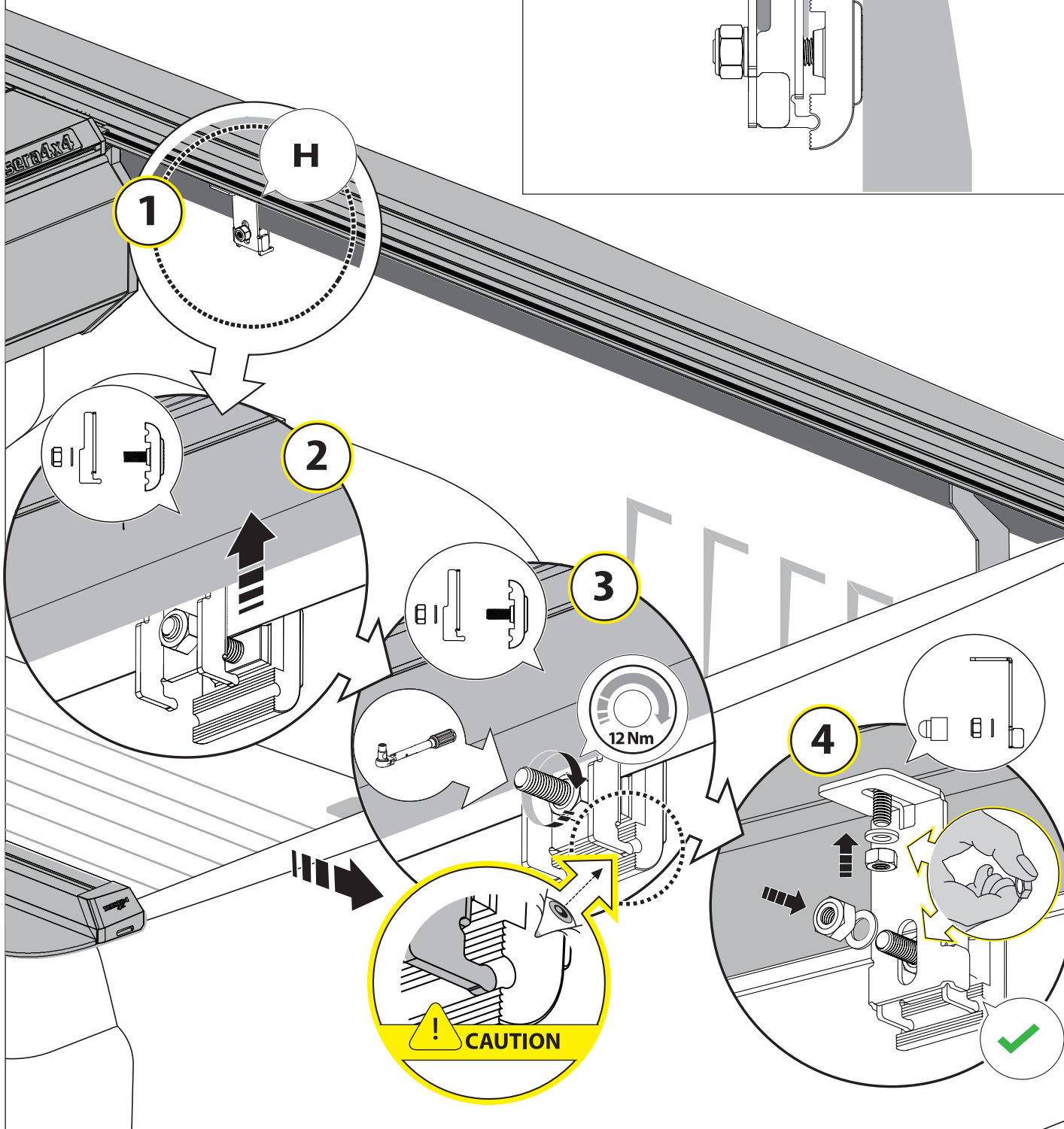
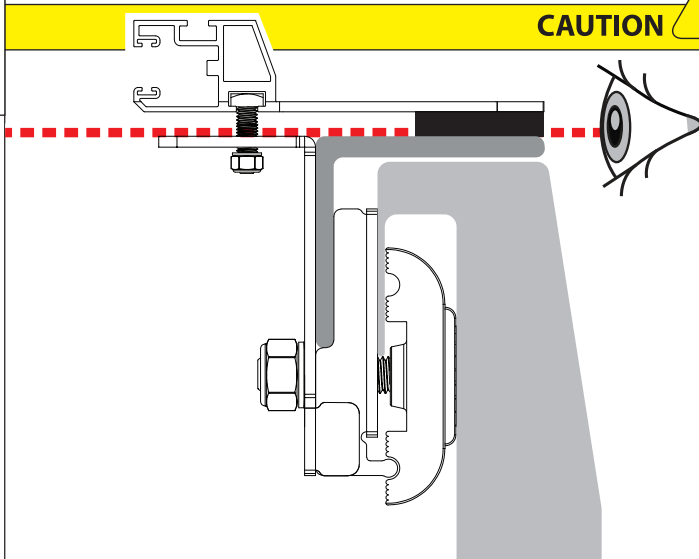


x2  
x4

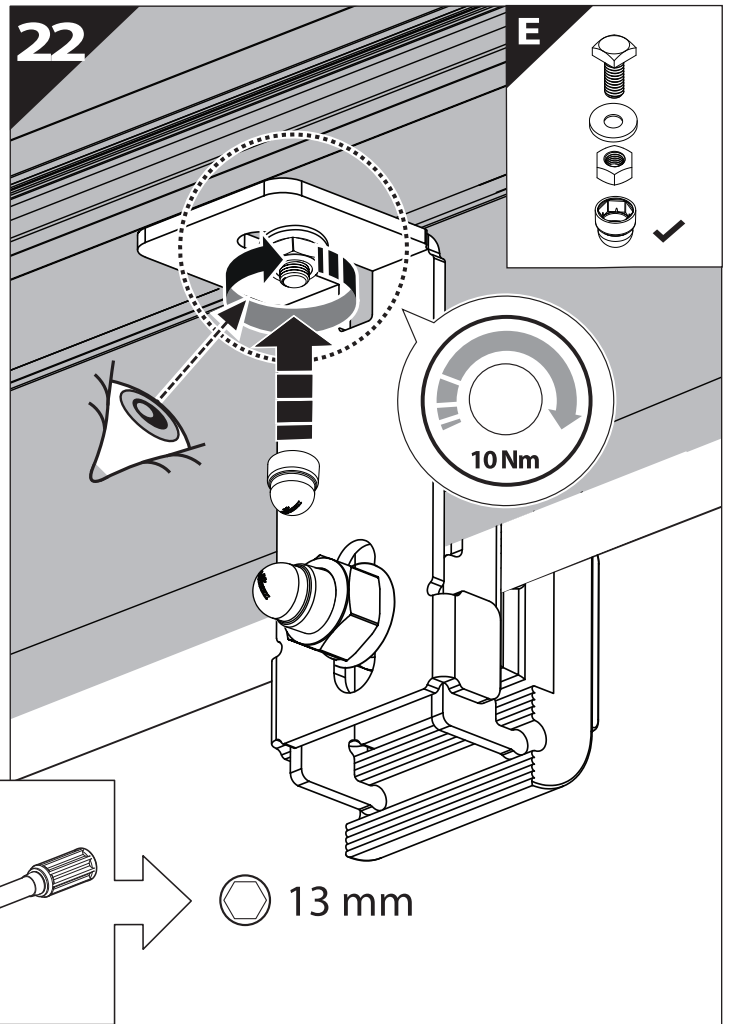
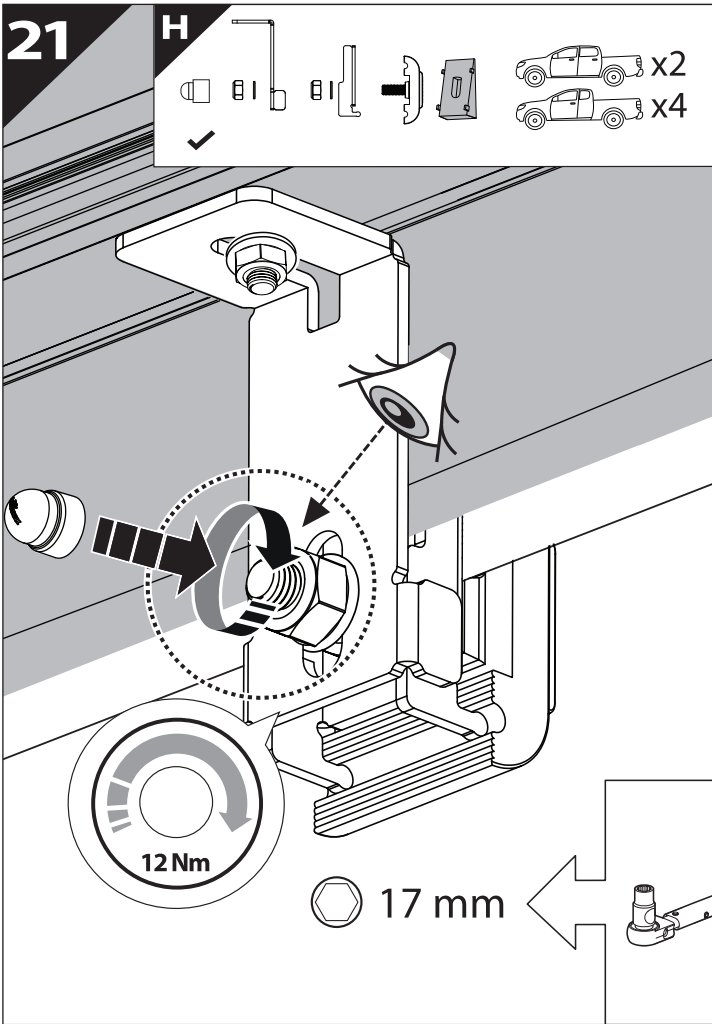
E



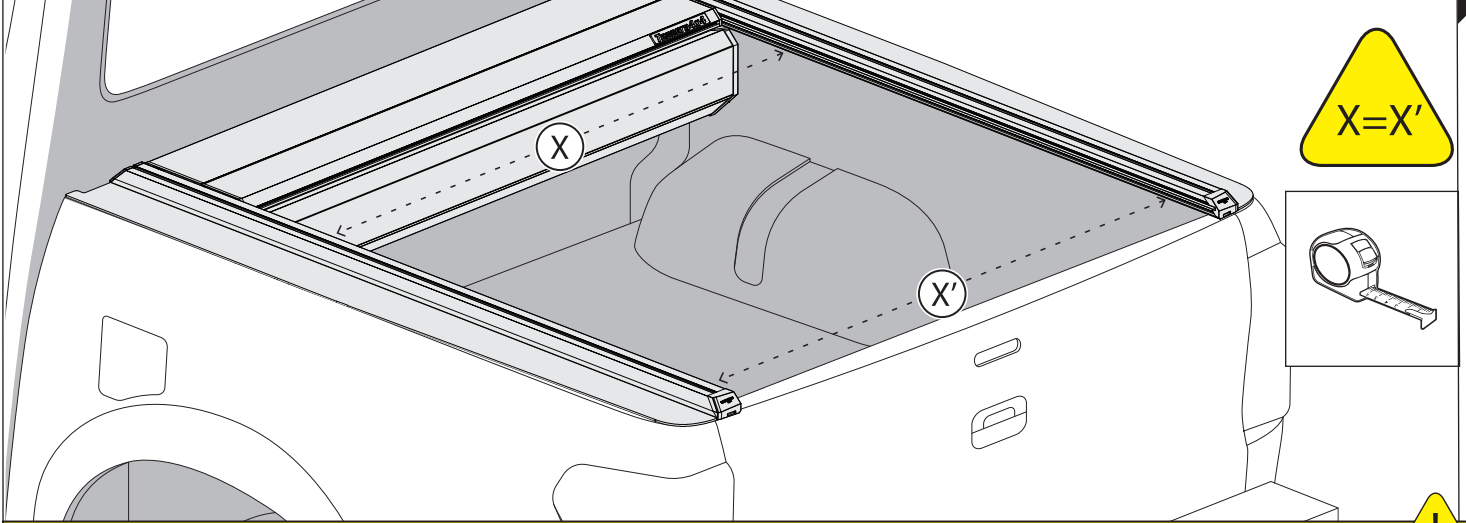
CAUTION



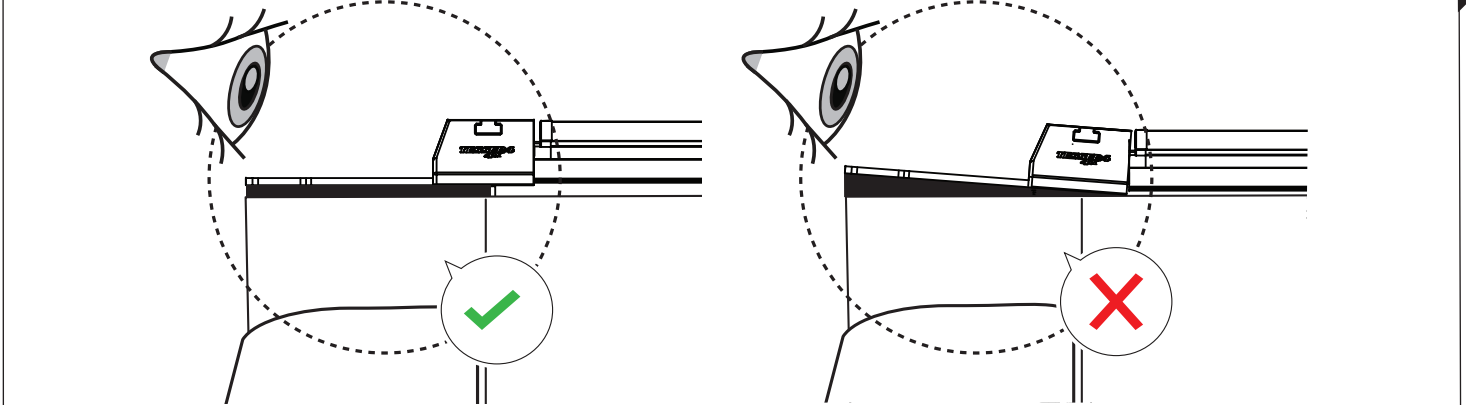




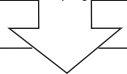
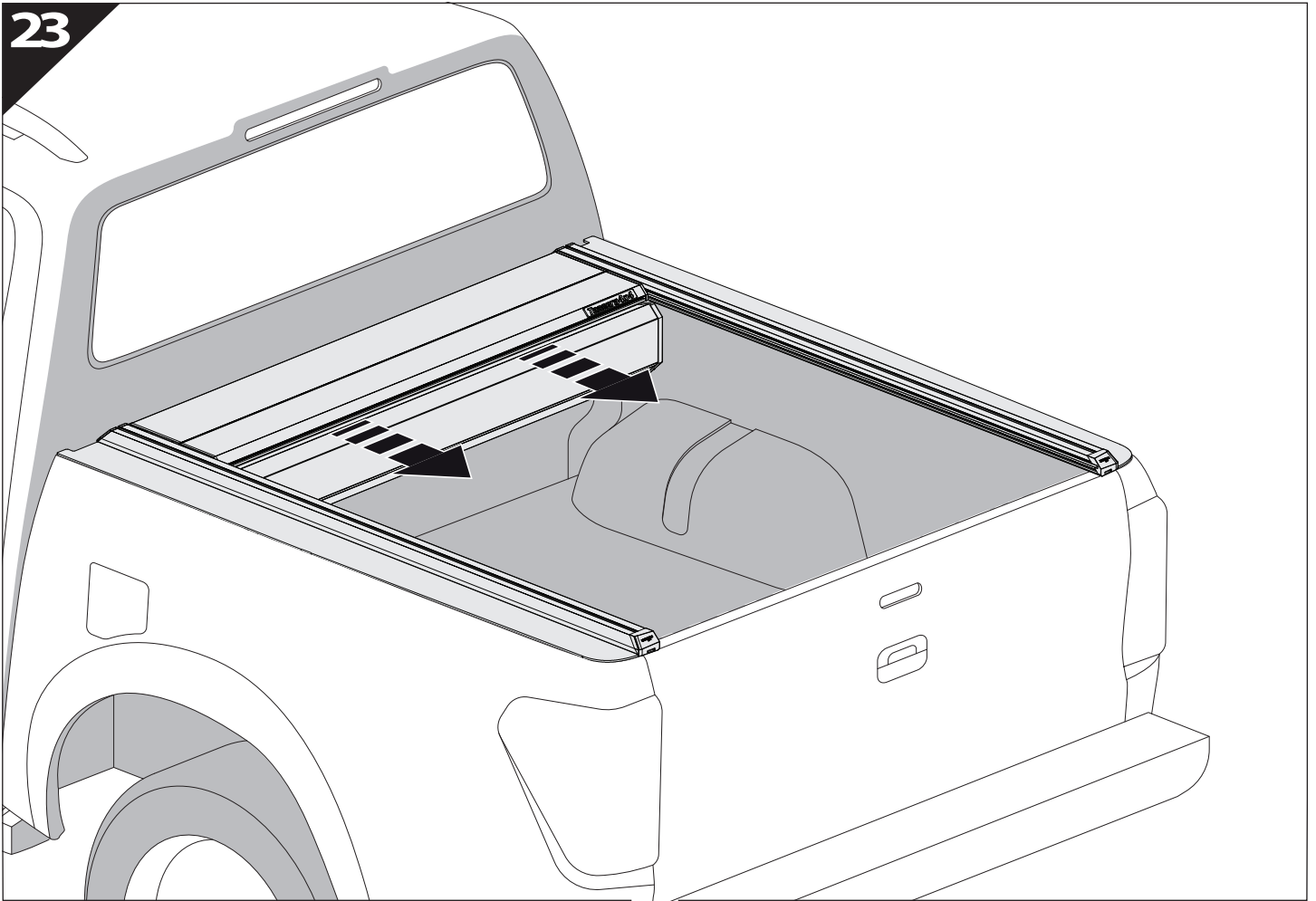
**CAUTION** !



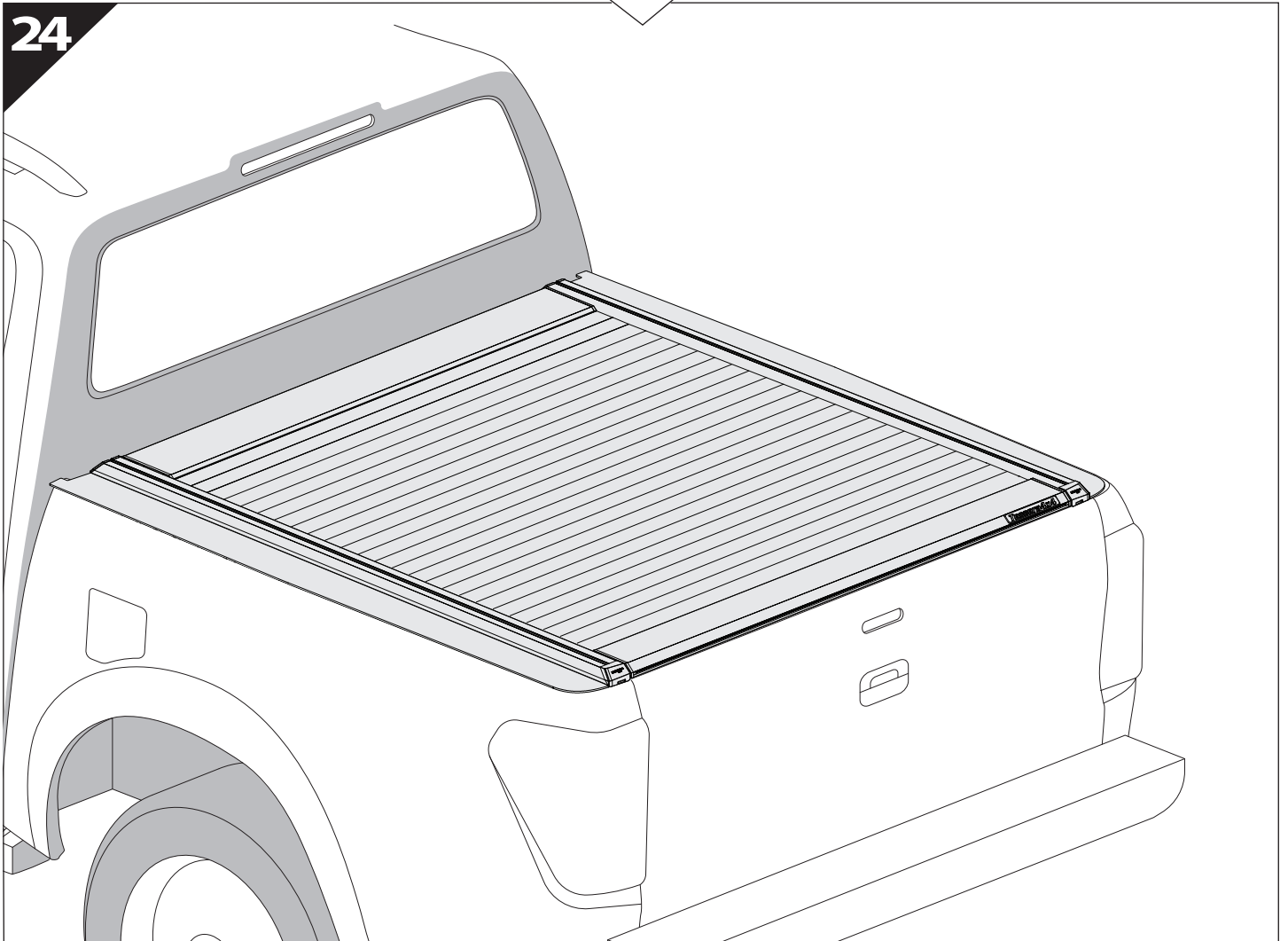
**CAUTION** !



23



24





**GR:** Οδηγίες Εγκατάστασης  
**GB:** Installation manual  
**SF:** Asennusohje  
**F:** Notice de montage  
**PL:** Instrukcja montażu  
**NL:** Installatie-instructies  
**TR:** Montaj Talimatı  
**S:** Monteringsanvisning  
**E:** Instrucciones de montaje

**H:** Szerelési utasítás  
**P:** Instruções de instalação  
**RUS:** Инструкция по установке  
**N:** Monteringsveiledning  
**D:** Einbauanleitung  
**CZ:** Návod k instalaci  
**I:** Istruzioni de montaggio  
**DK:** Monteringsvejledning  
**RO:** Instructiuni de instalare

Customer Service:

+30 (210) 5541161, +30 (210) 5541154 (08:00 - 16:00 EET)

Support department:

[info@gianso.gr](mailto:info@gianso.gr)

Website:

[www.tessera4x4.com](http://www.tessera4x4.com)

Address:

19.5 km of National road Athens-Korinthos (Elefsina) Greece, P.C: 19200