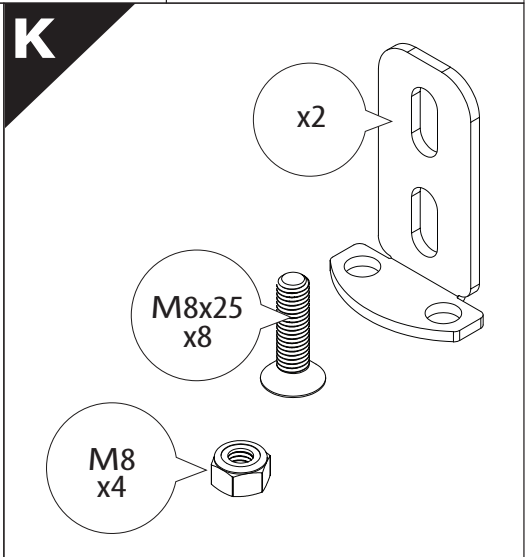
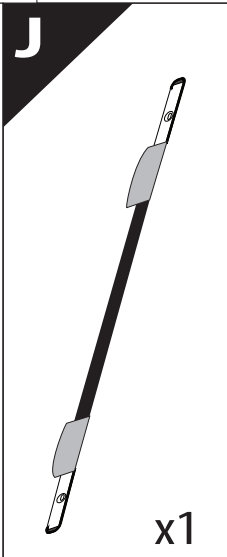
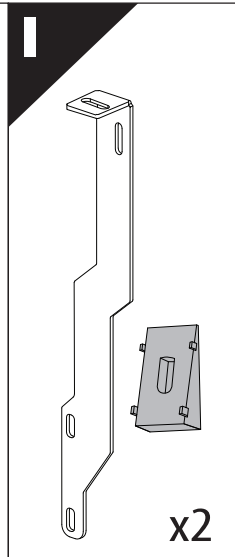
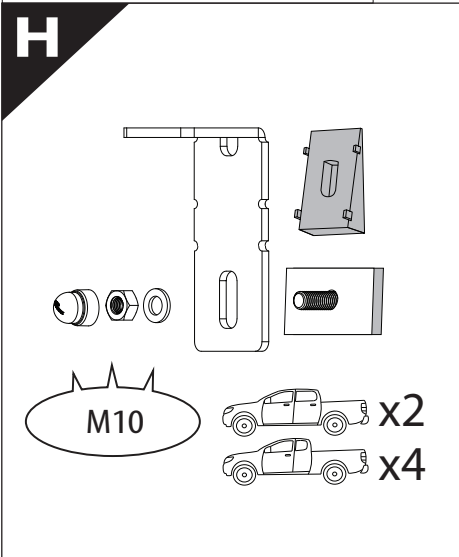
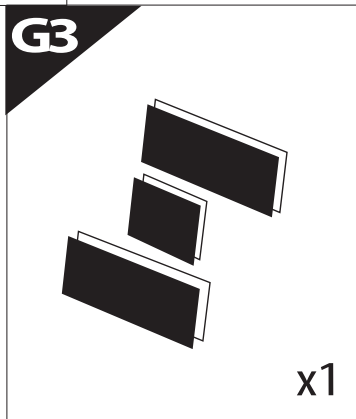
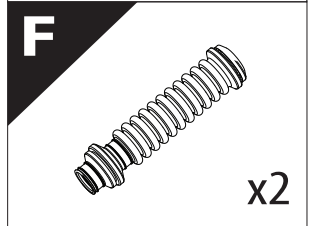
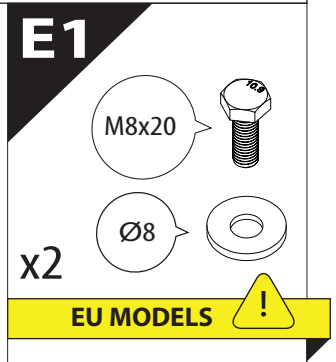
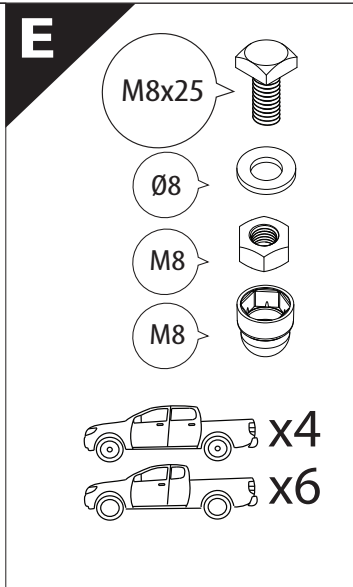
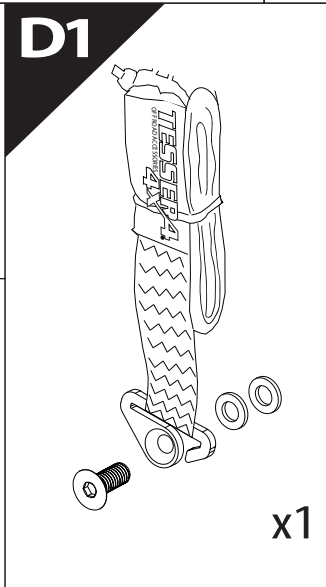
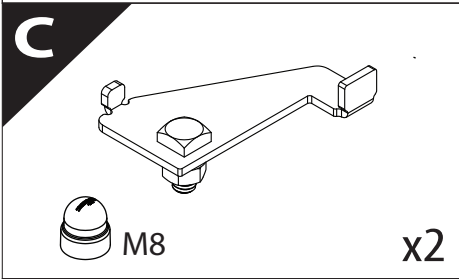
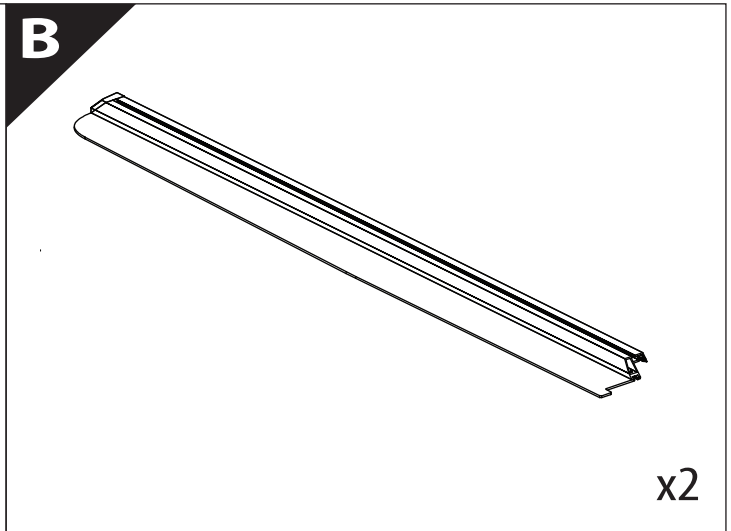
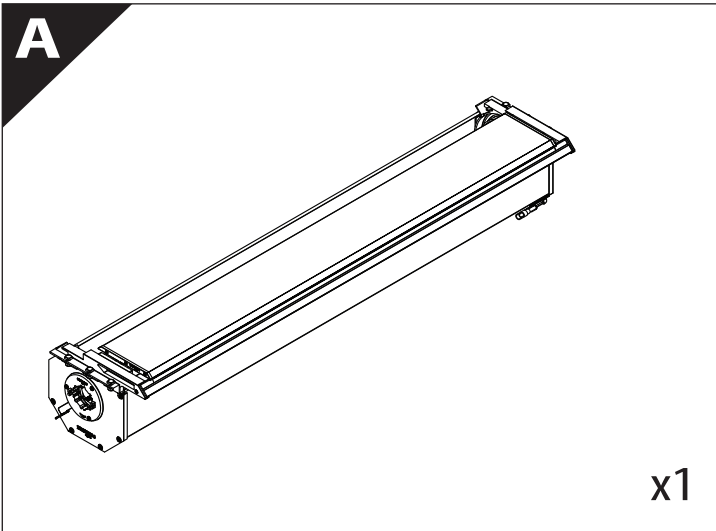


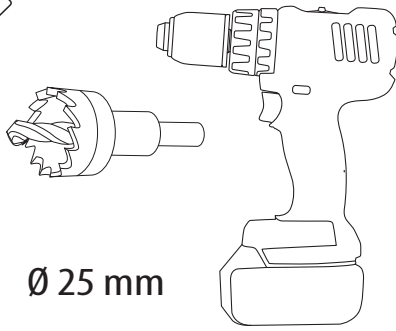
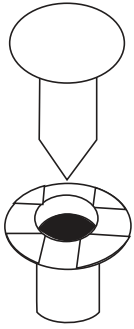
## Installation Manual

PART NUMBER(S)	Model Year
TESS 15060 SE +ADAPT 008	FORD RANGER 2023+ SPORT WITH OEM ROLLBAR (with c-channels)
TESS 15070 SE +ADAPT 008	
Cab(s)	Installation Time / Weight
Double Cab & Space Cab	40-60 minutes / 53-57 kg

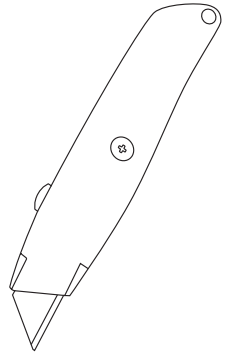
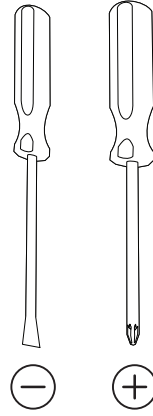




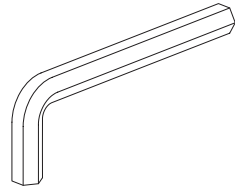
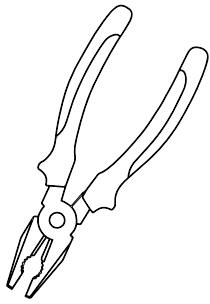
L x2



Ø 25 mm

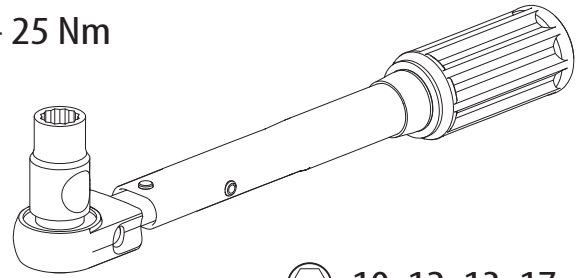


US MODELS

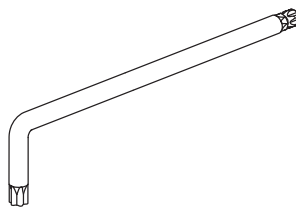
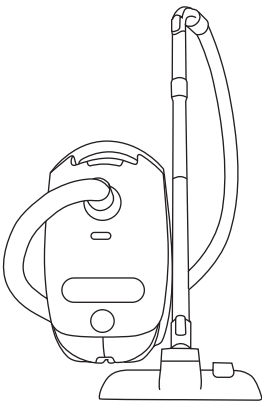
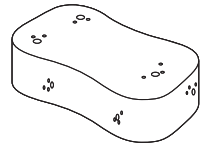
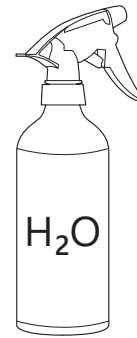
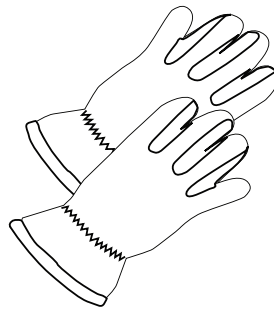
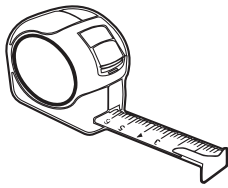


4 mm , 5 mm

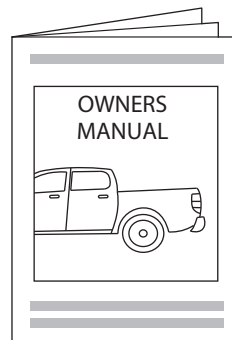
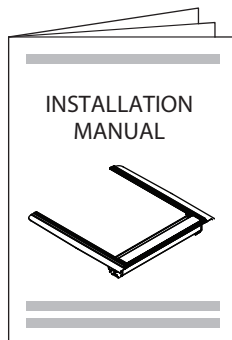
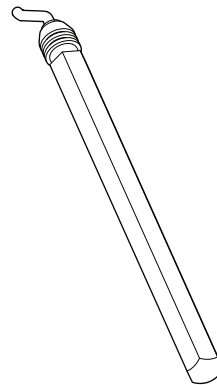
1 - 25 Nm



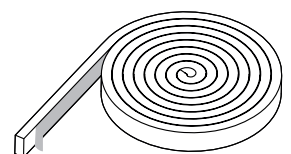
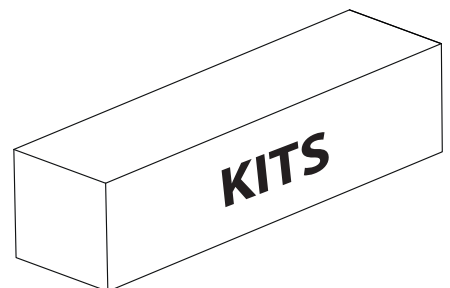
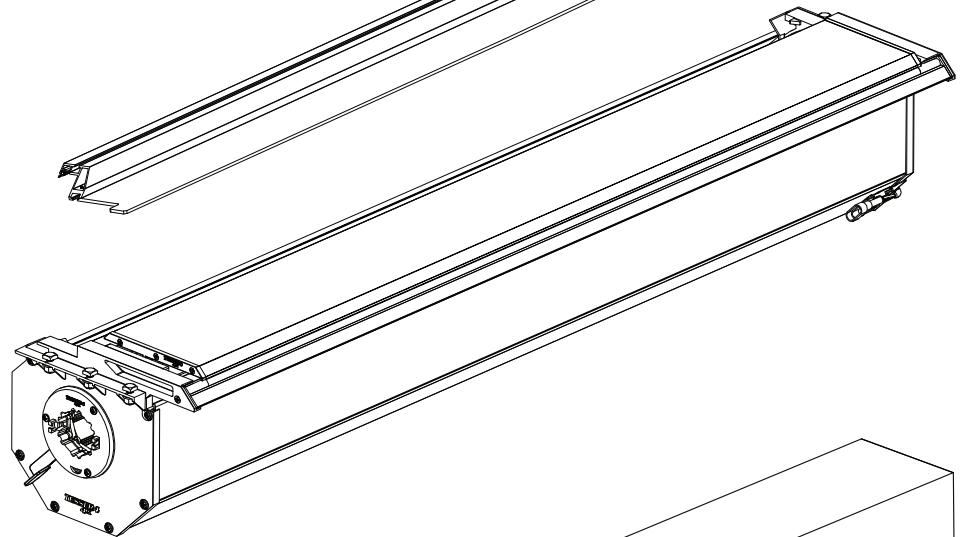
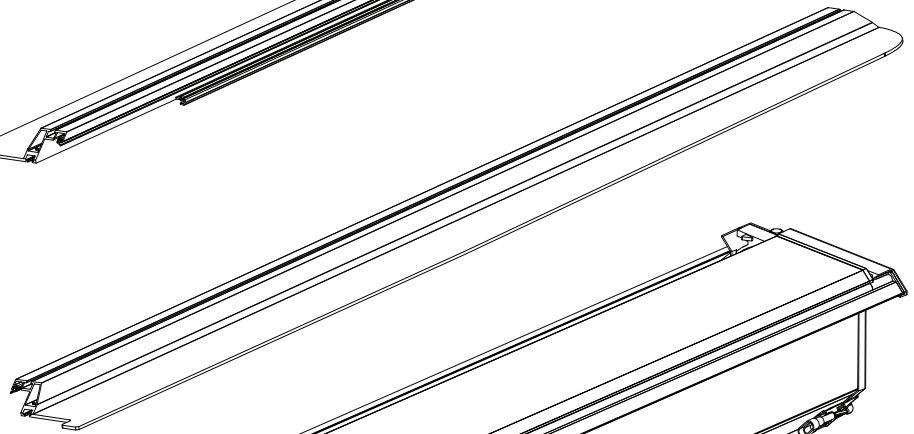
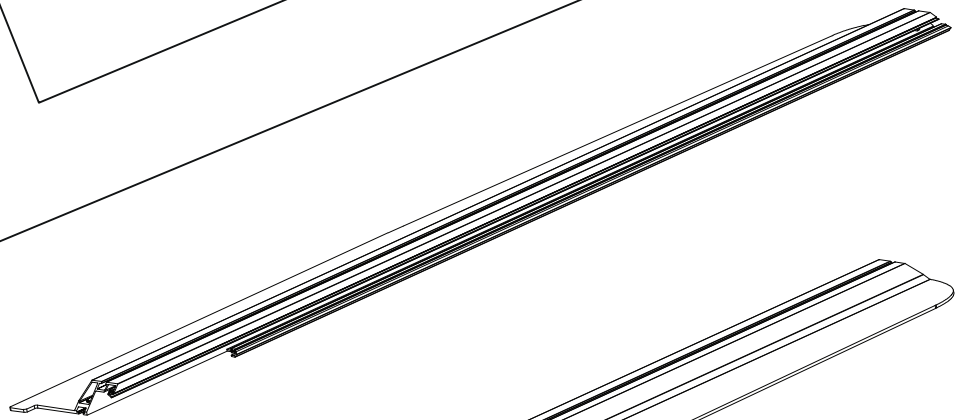
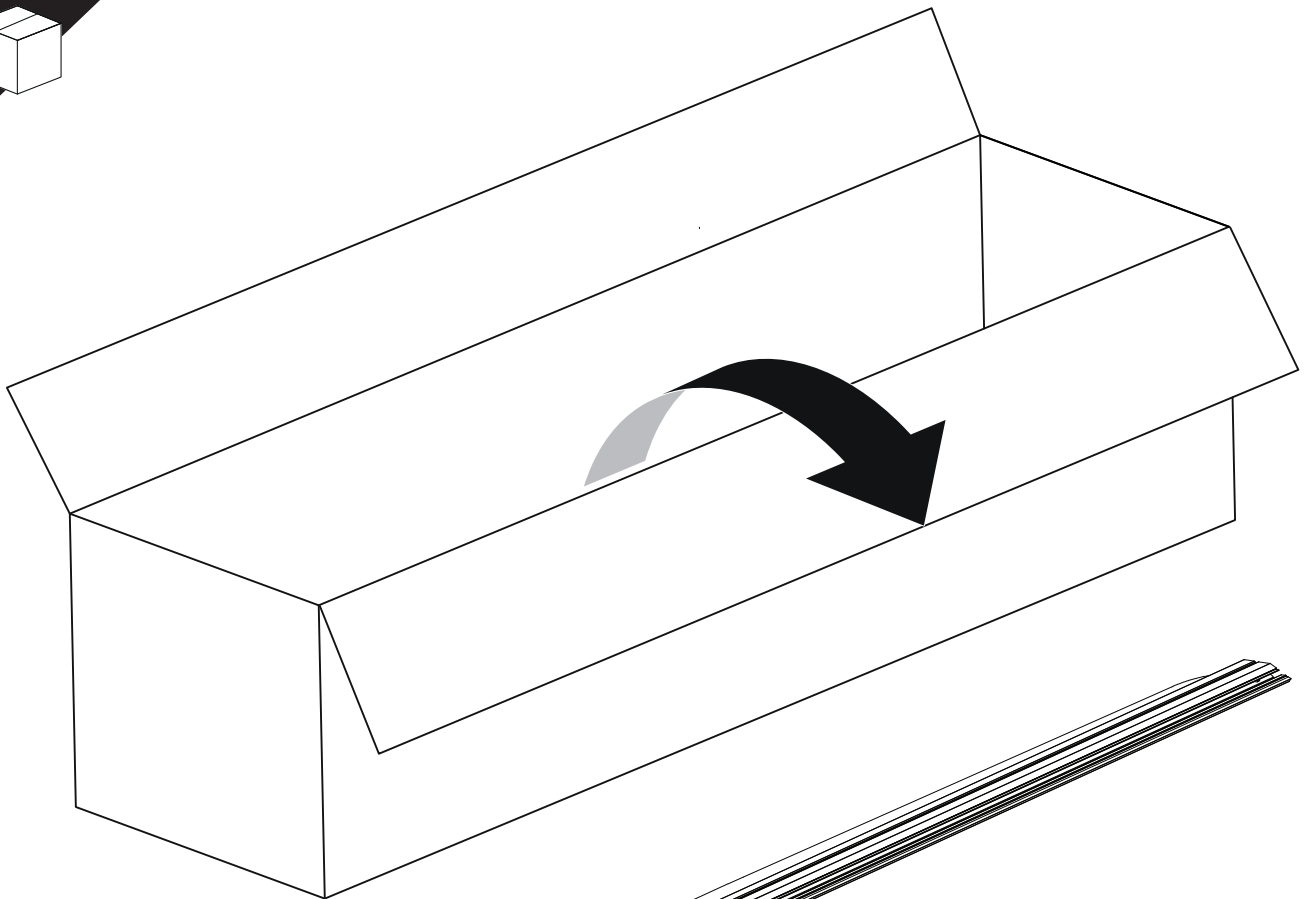
10, 12, 13, 17 mm



T30, T40



x1

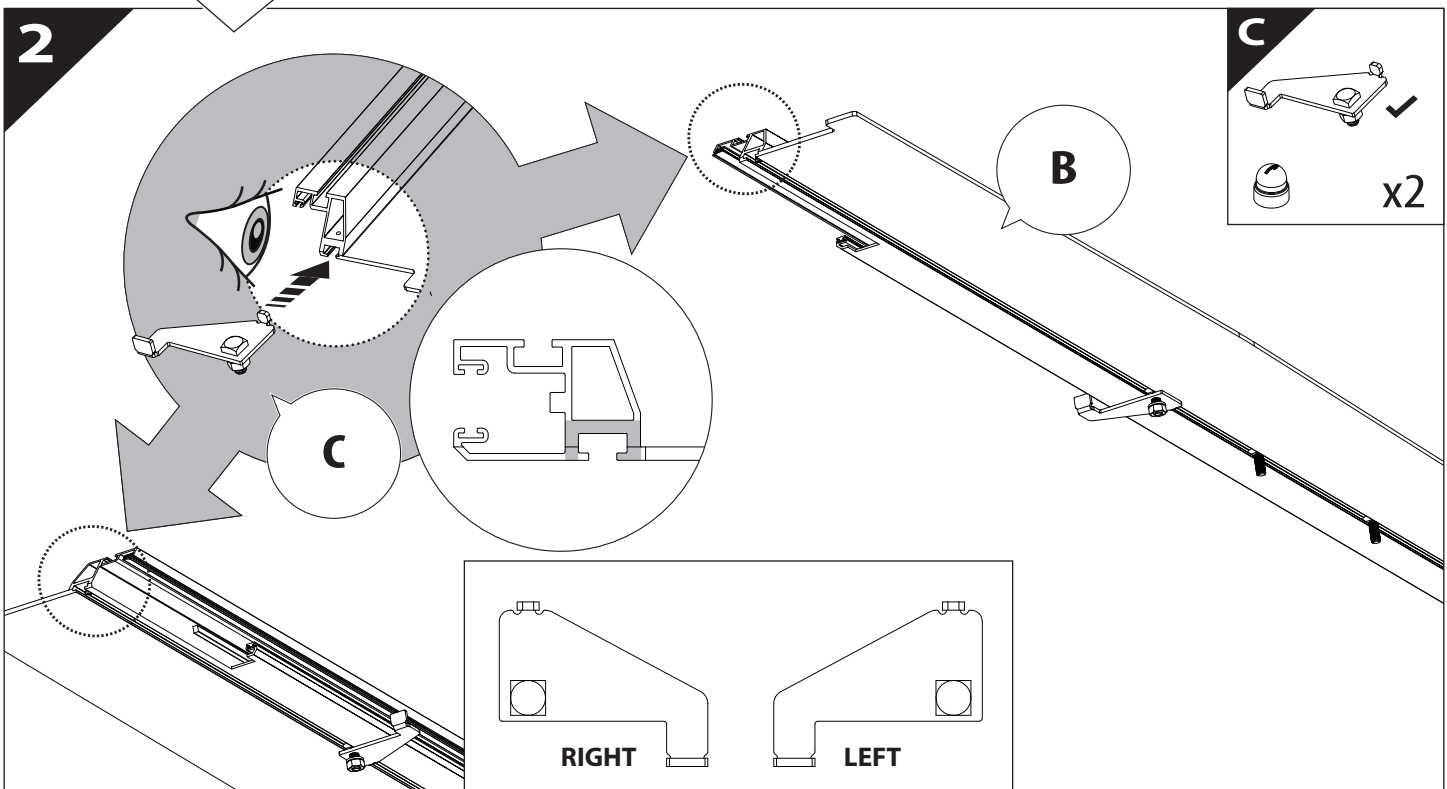
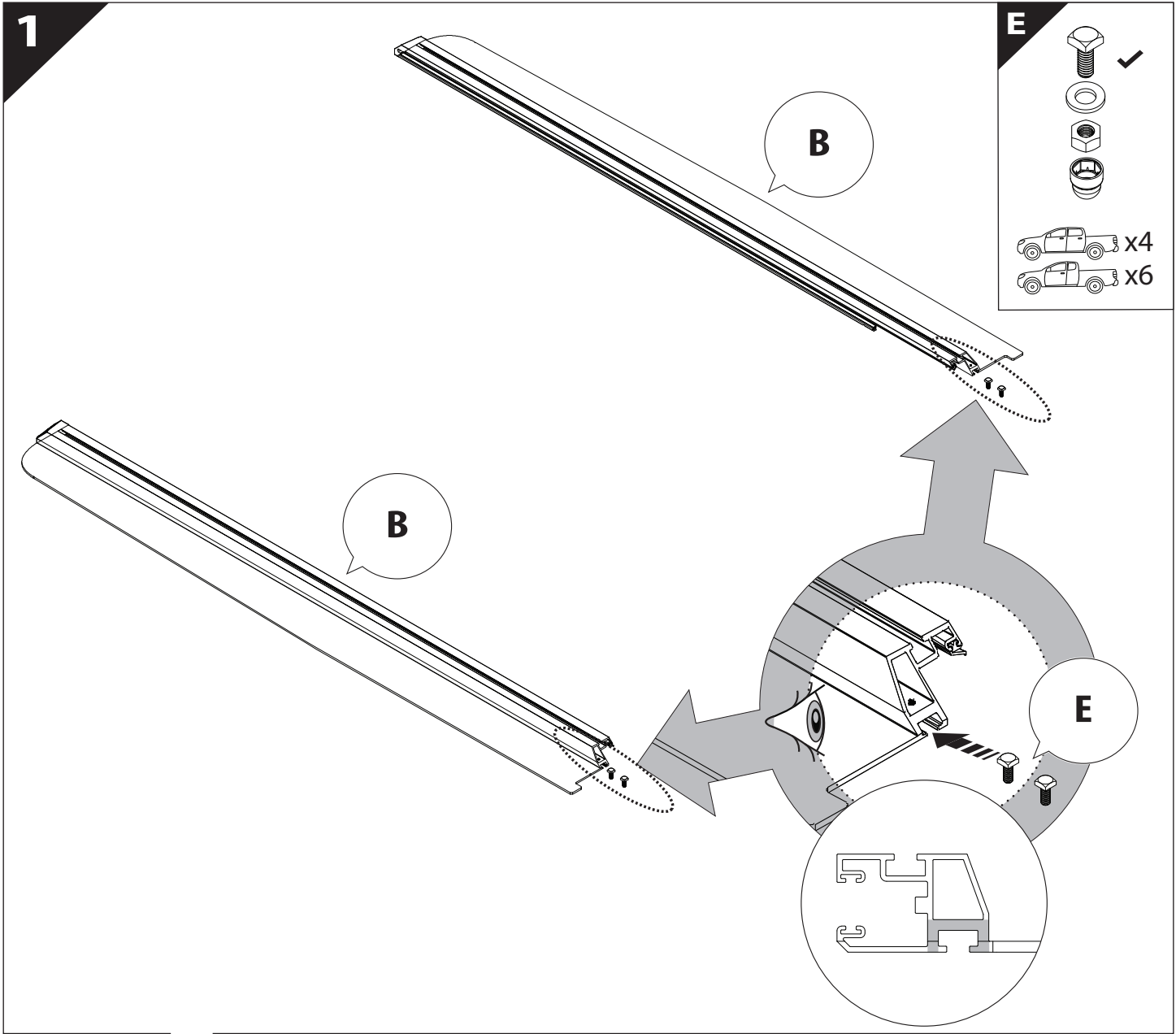


**B**

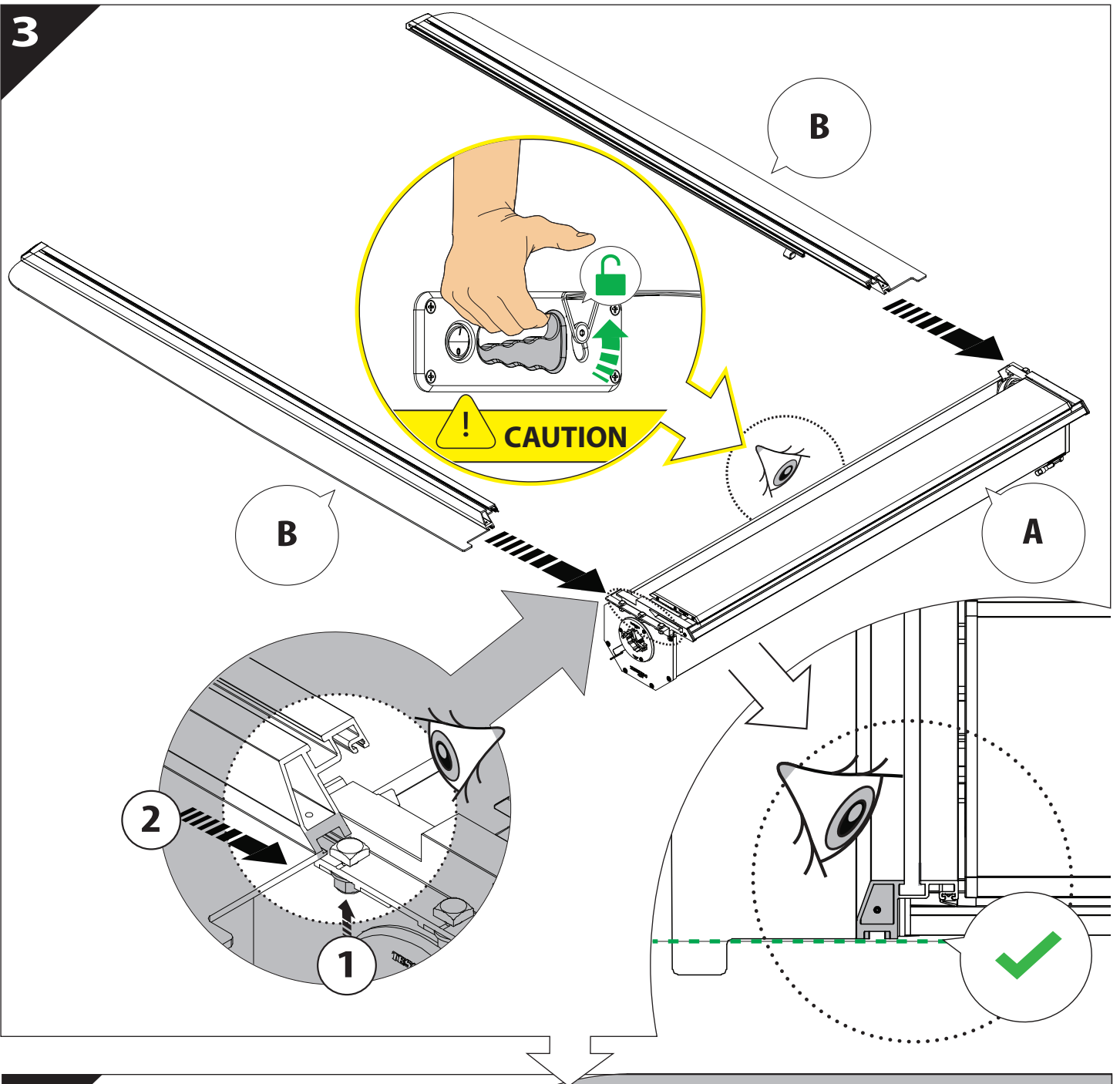
**A**

**KITS**

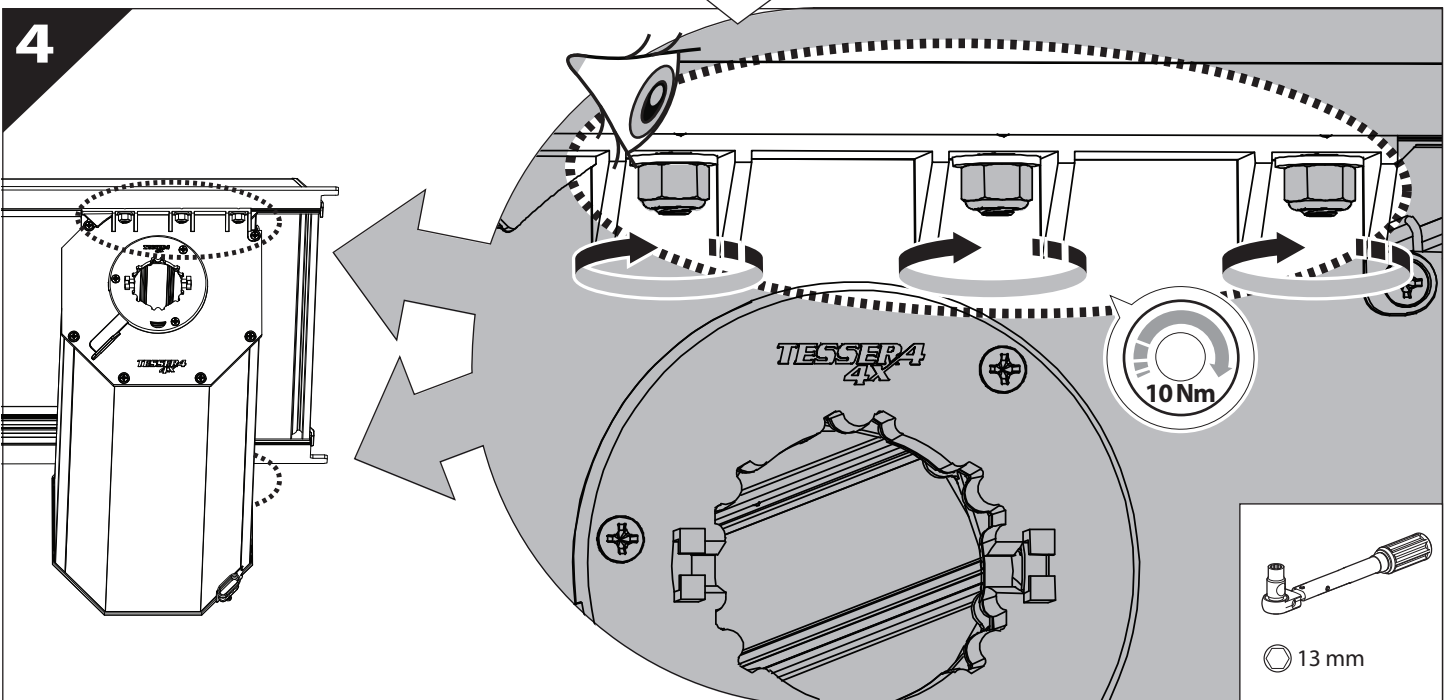
**G**

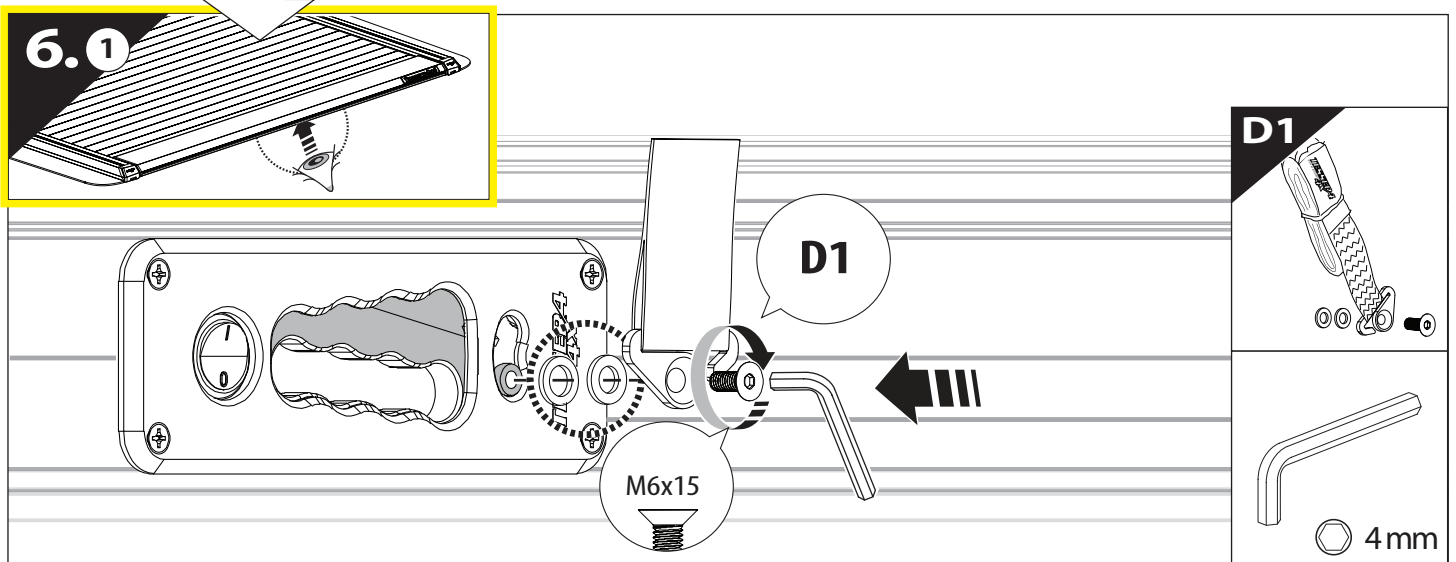
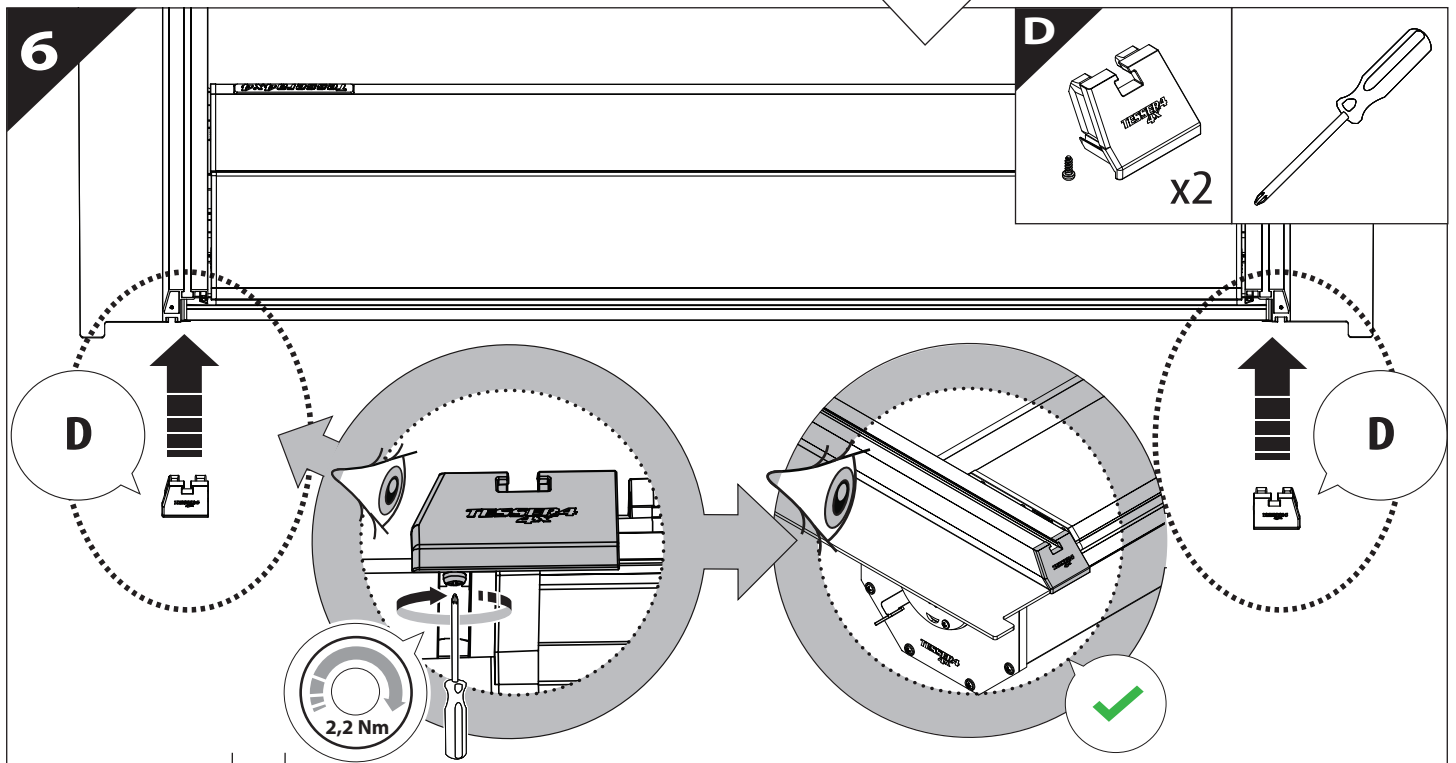
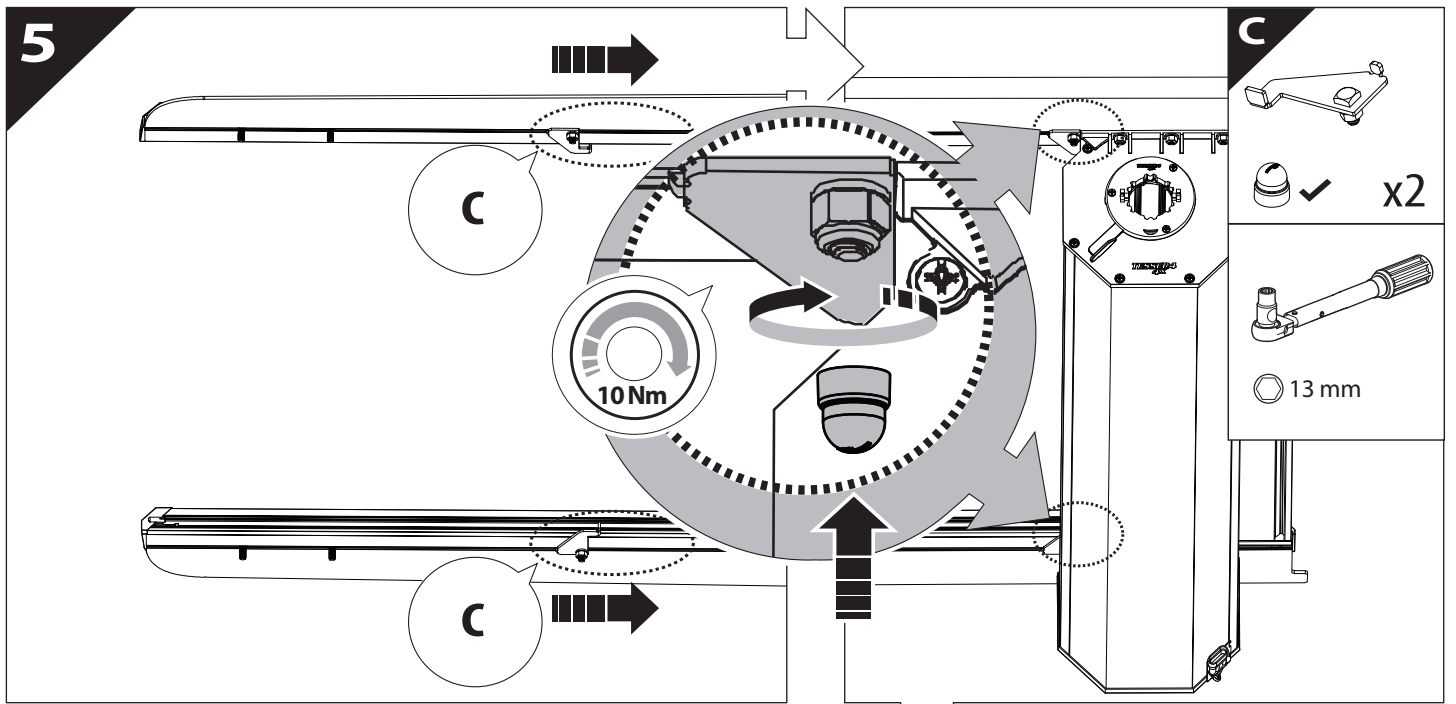


3



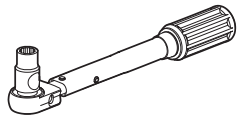
4





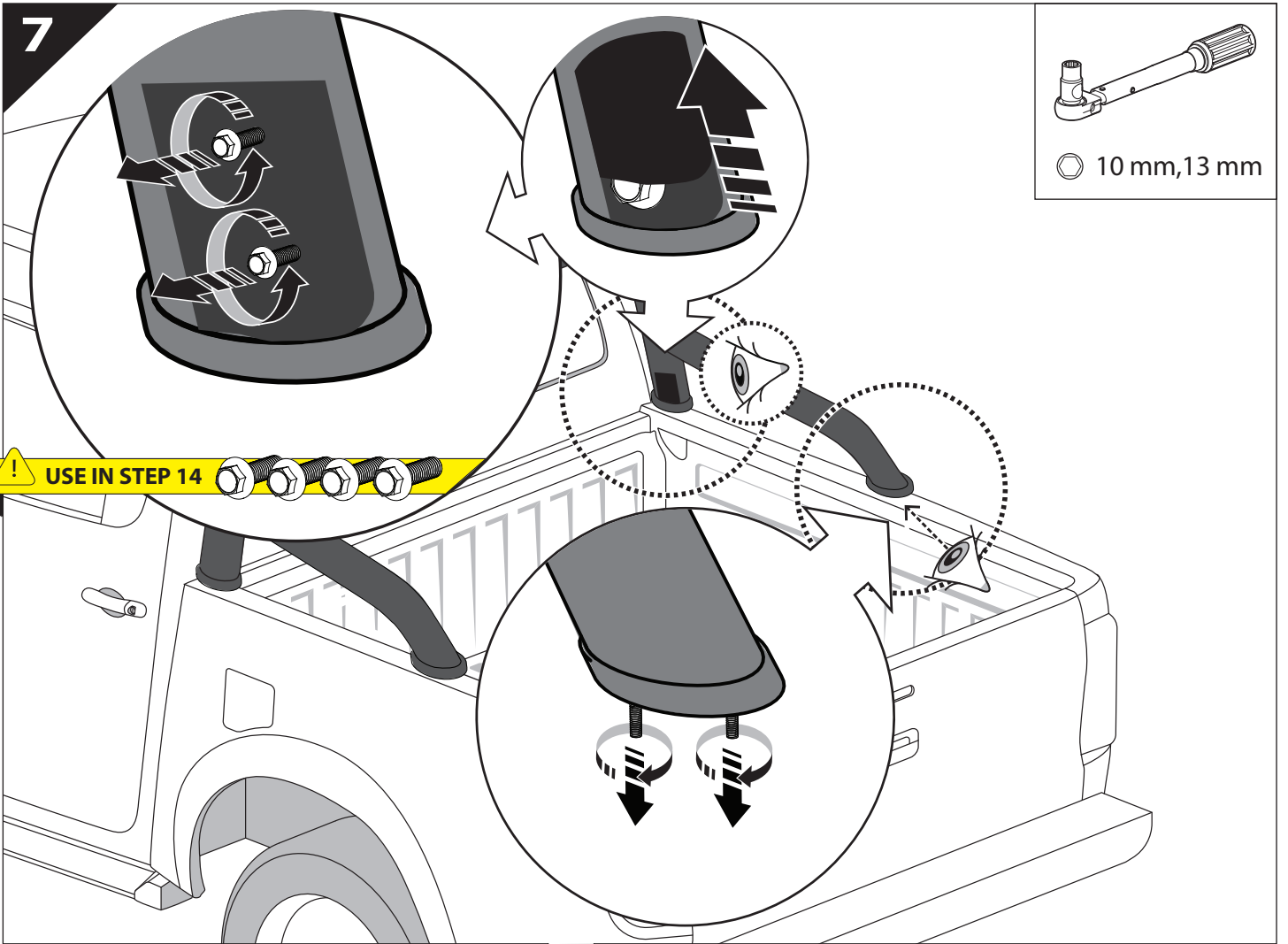


7



10 mm, 13 mm

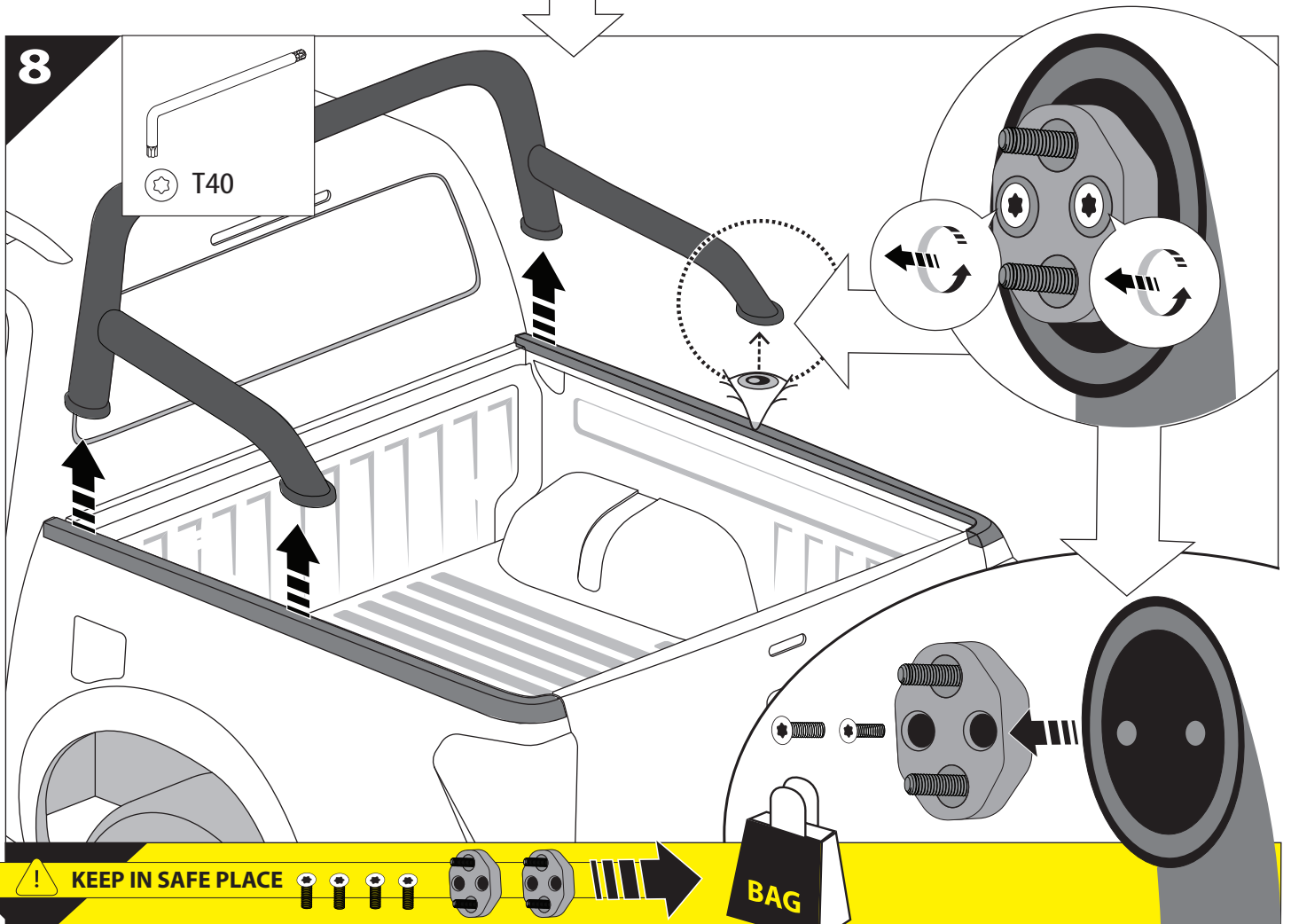
! USE IN STEP 14

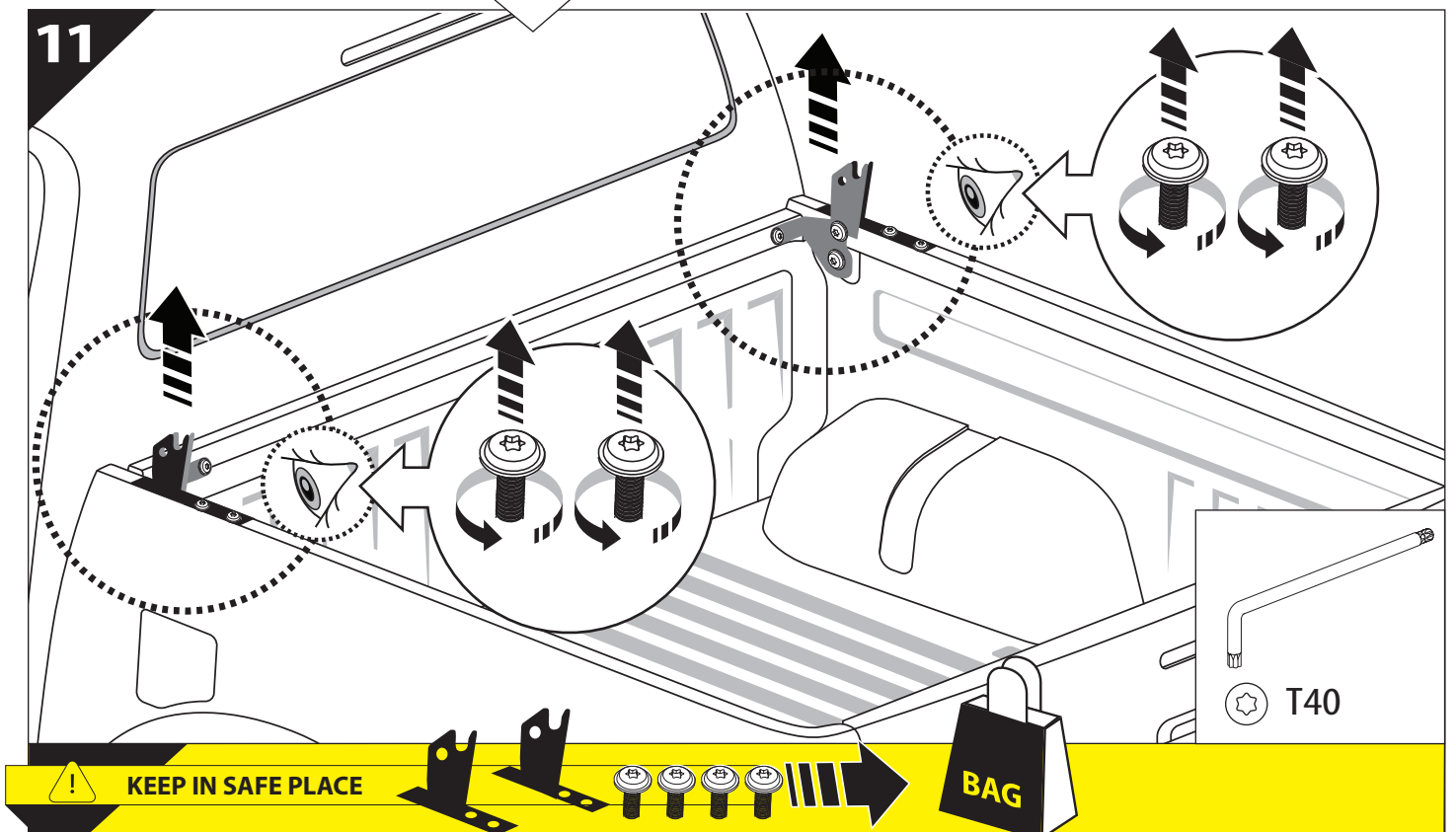
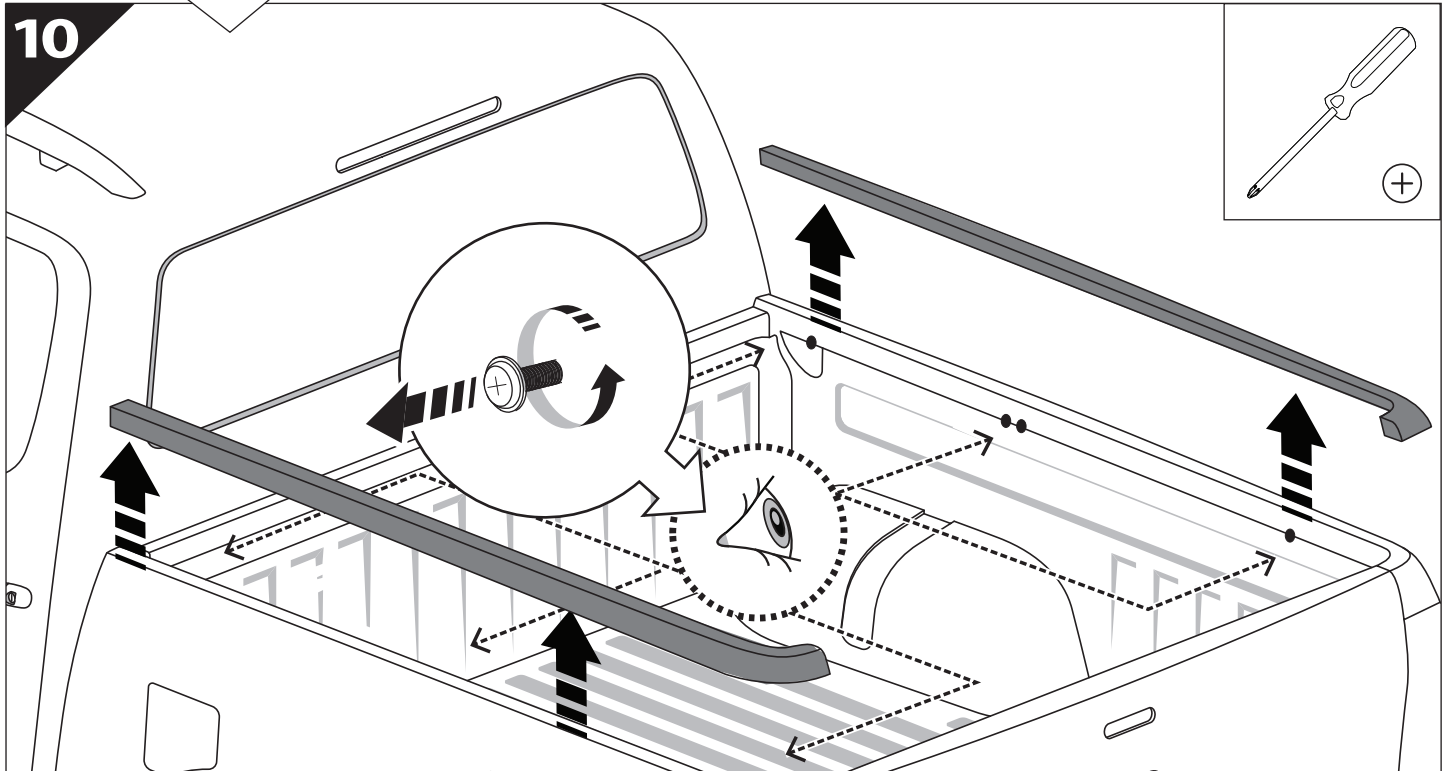
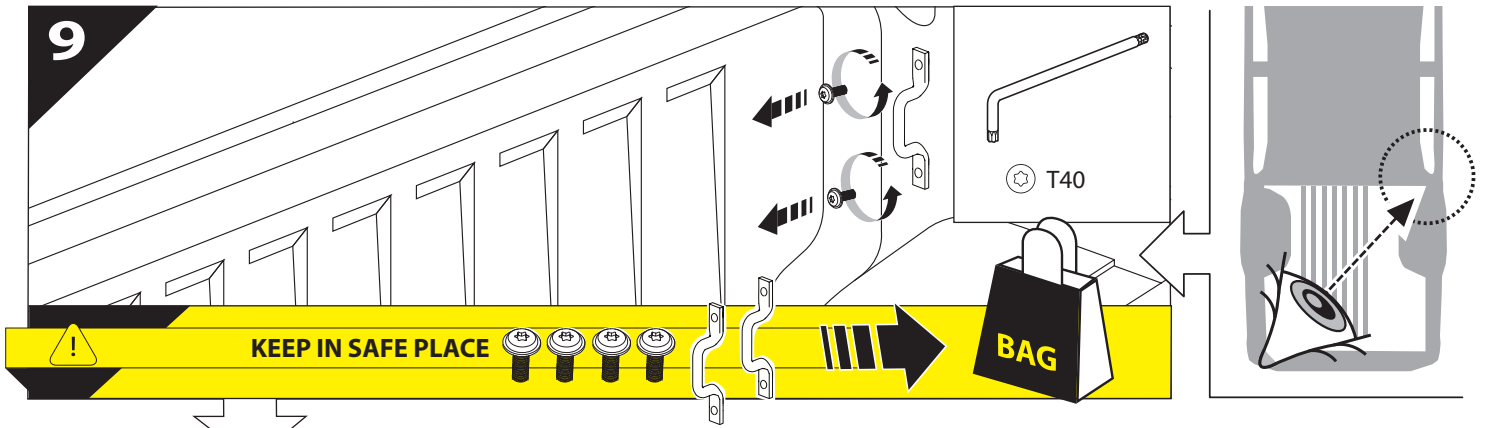


8

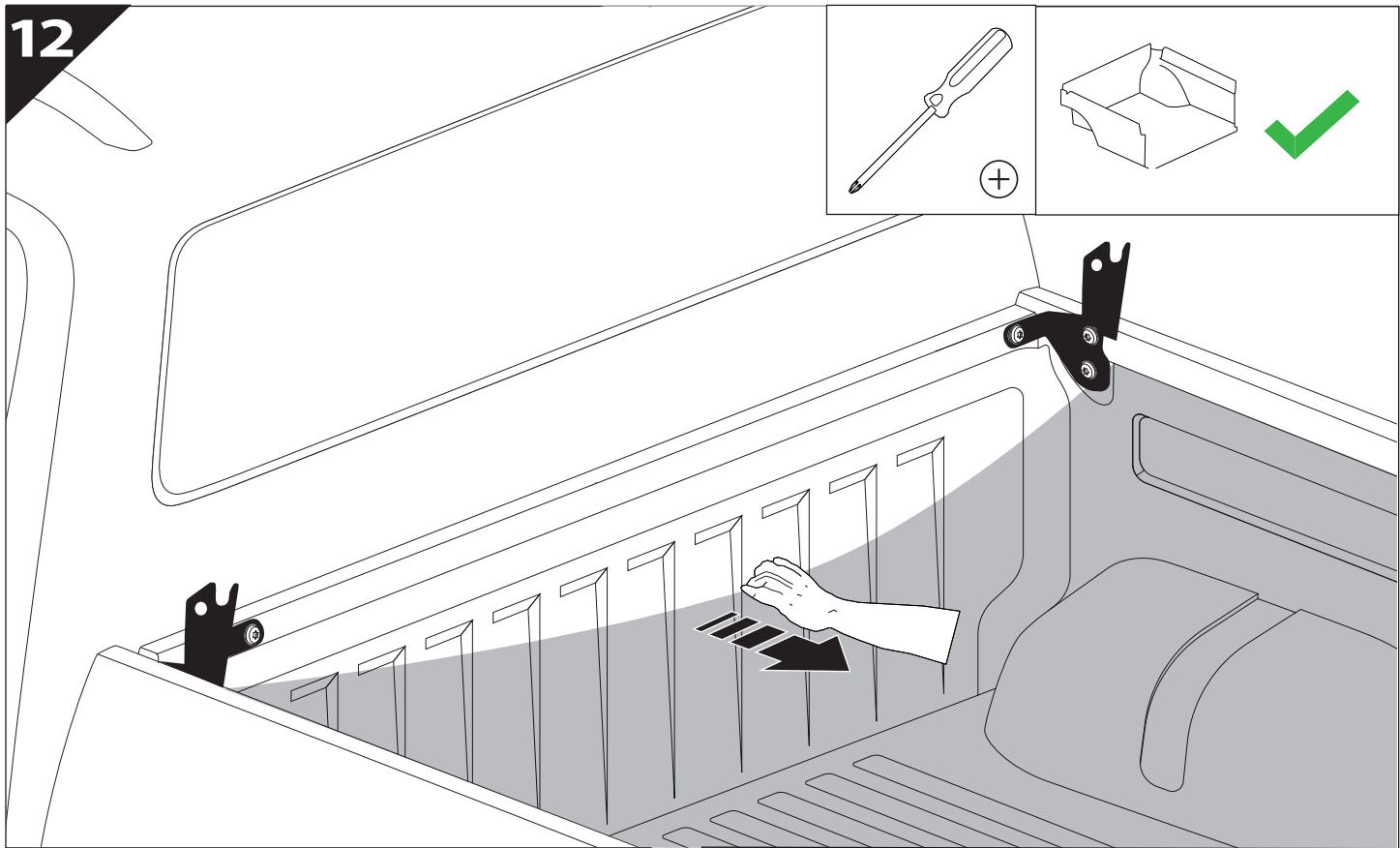


T40

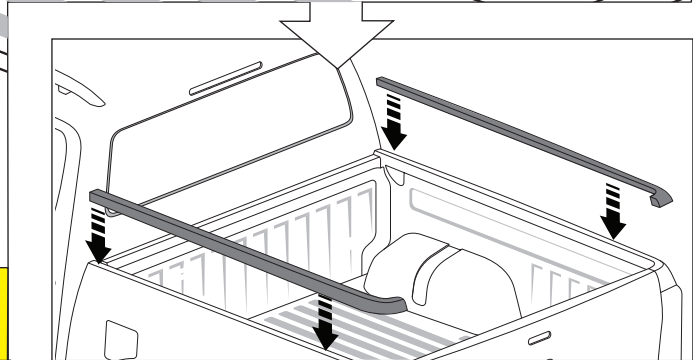
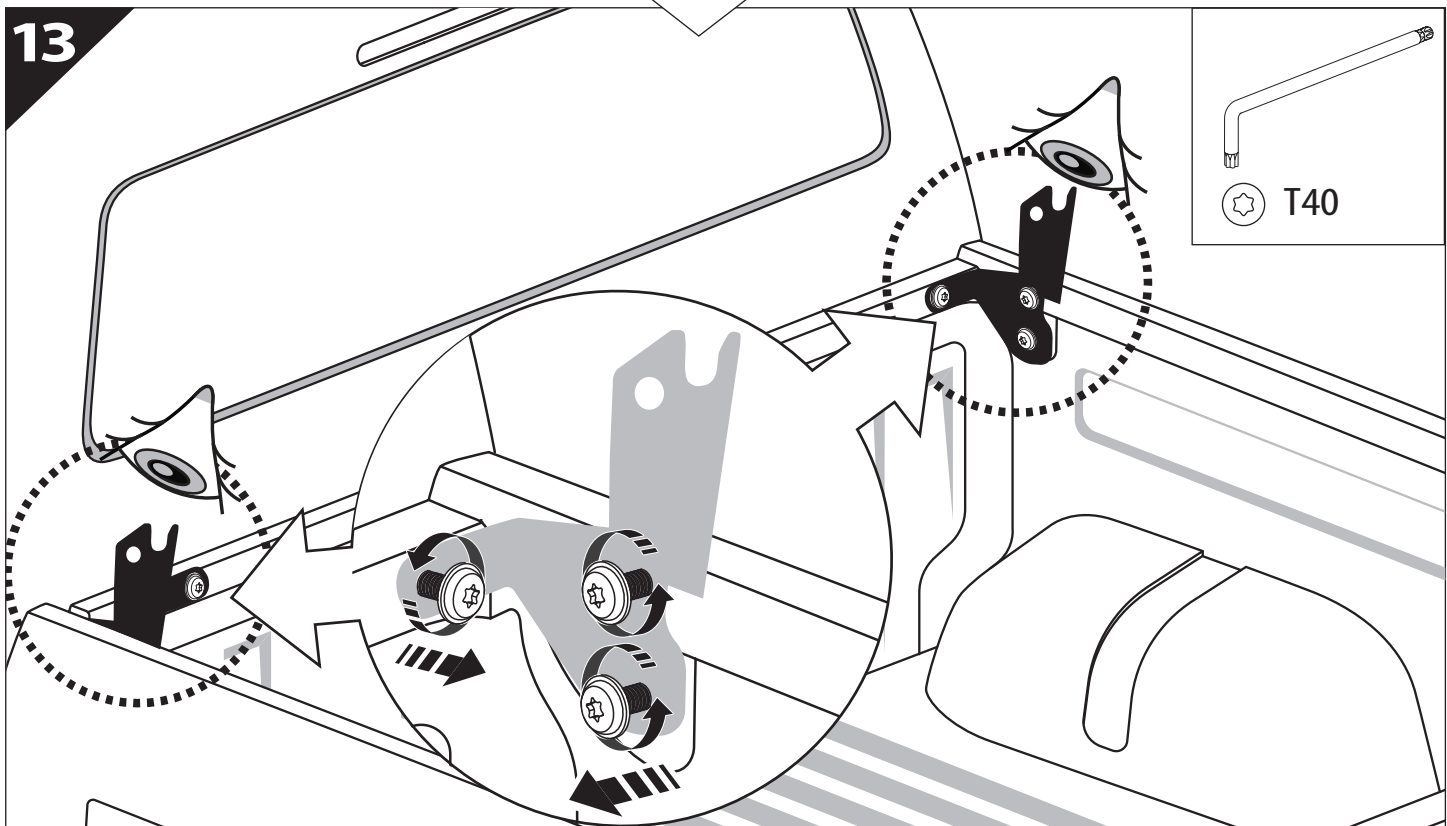




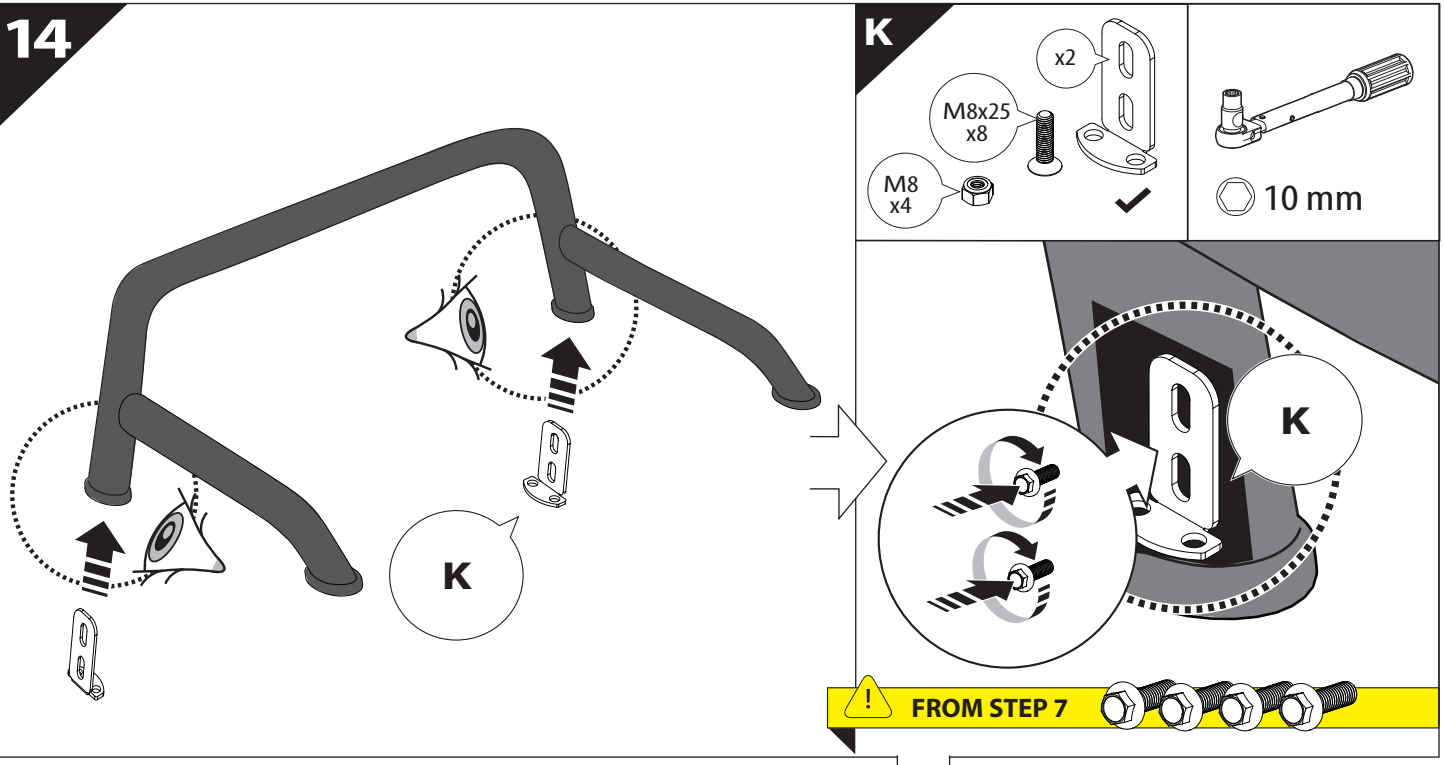
12



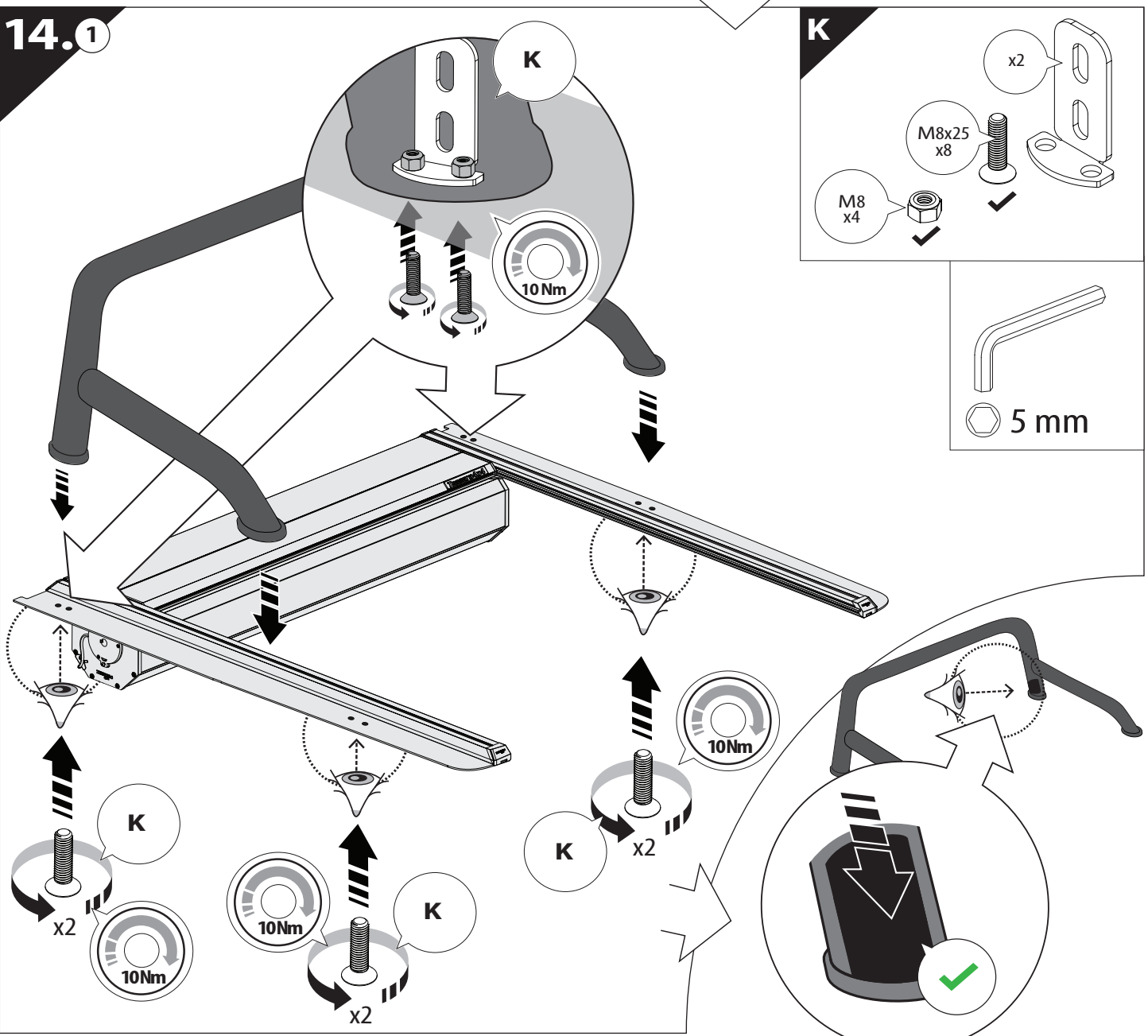
13



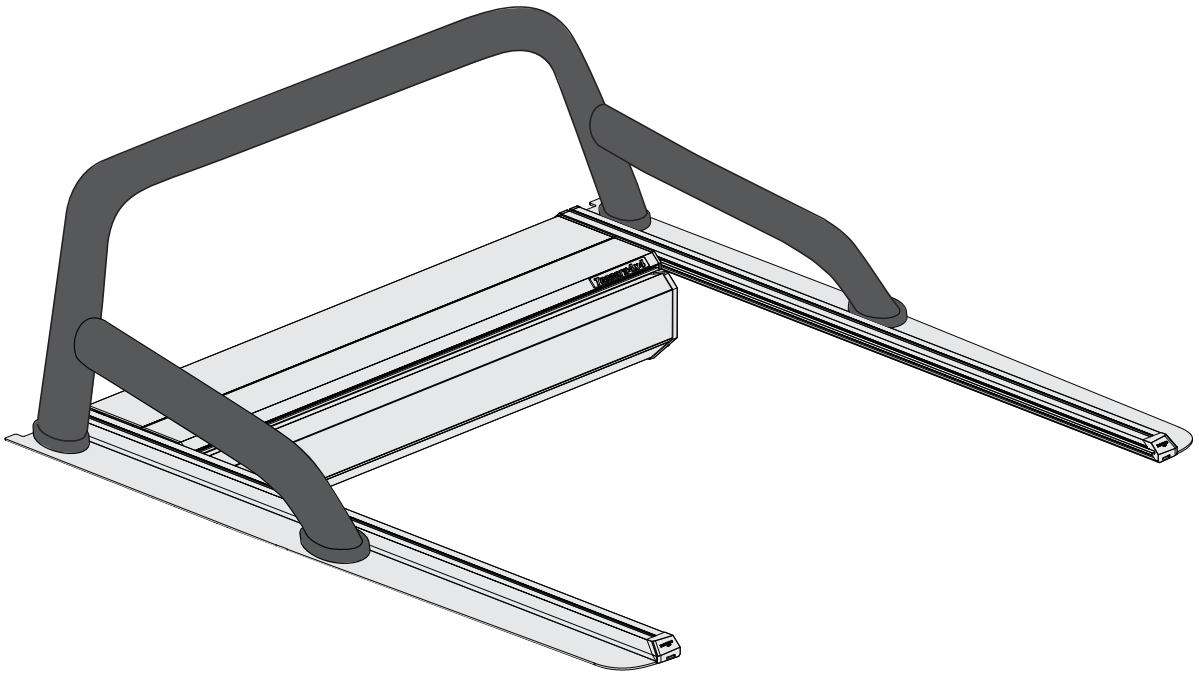
14



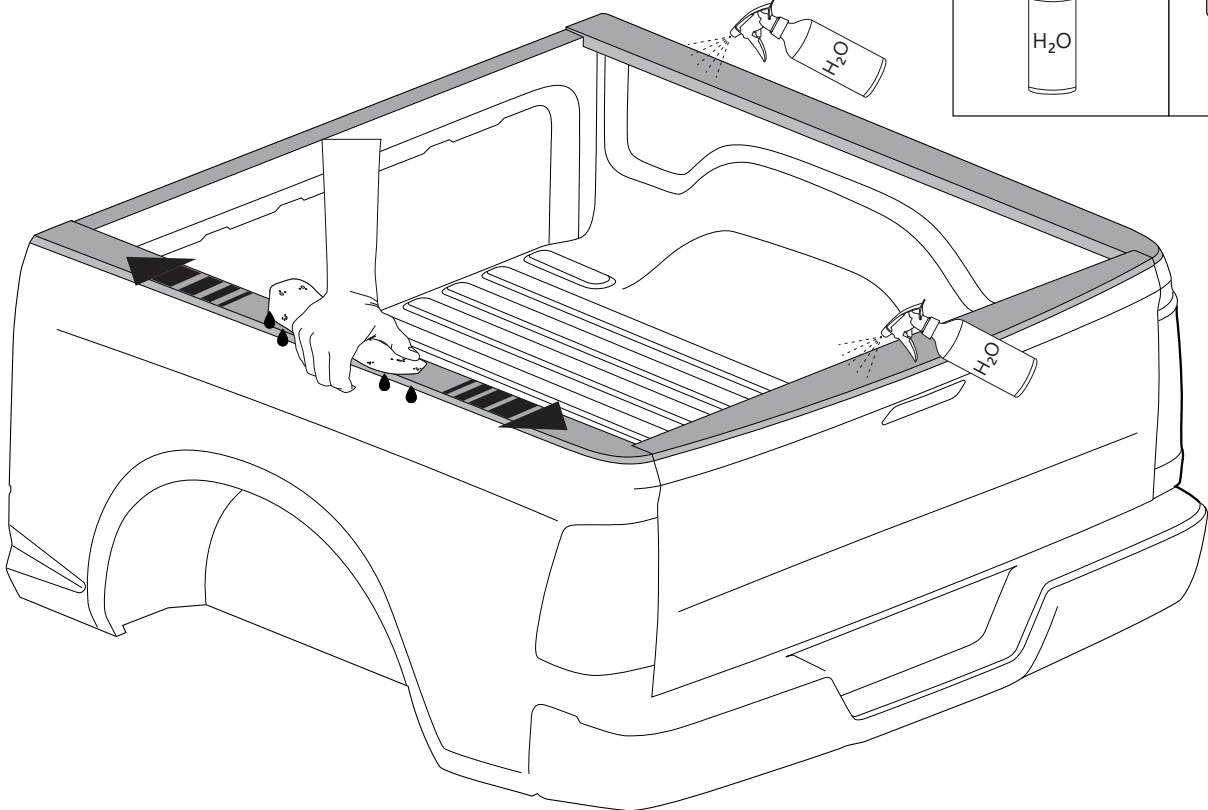
14.0



15



16





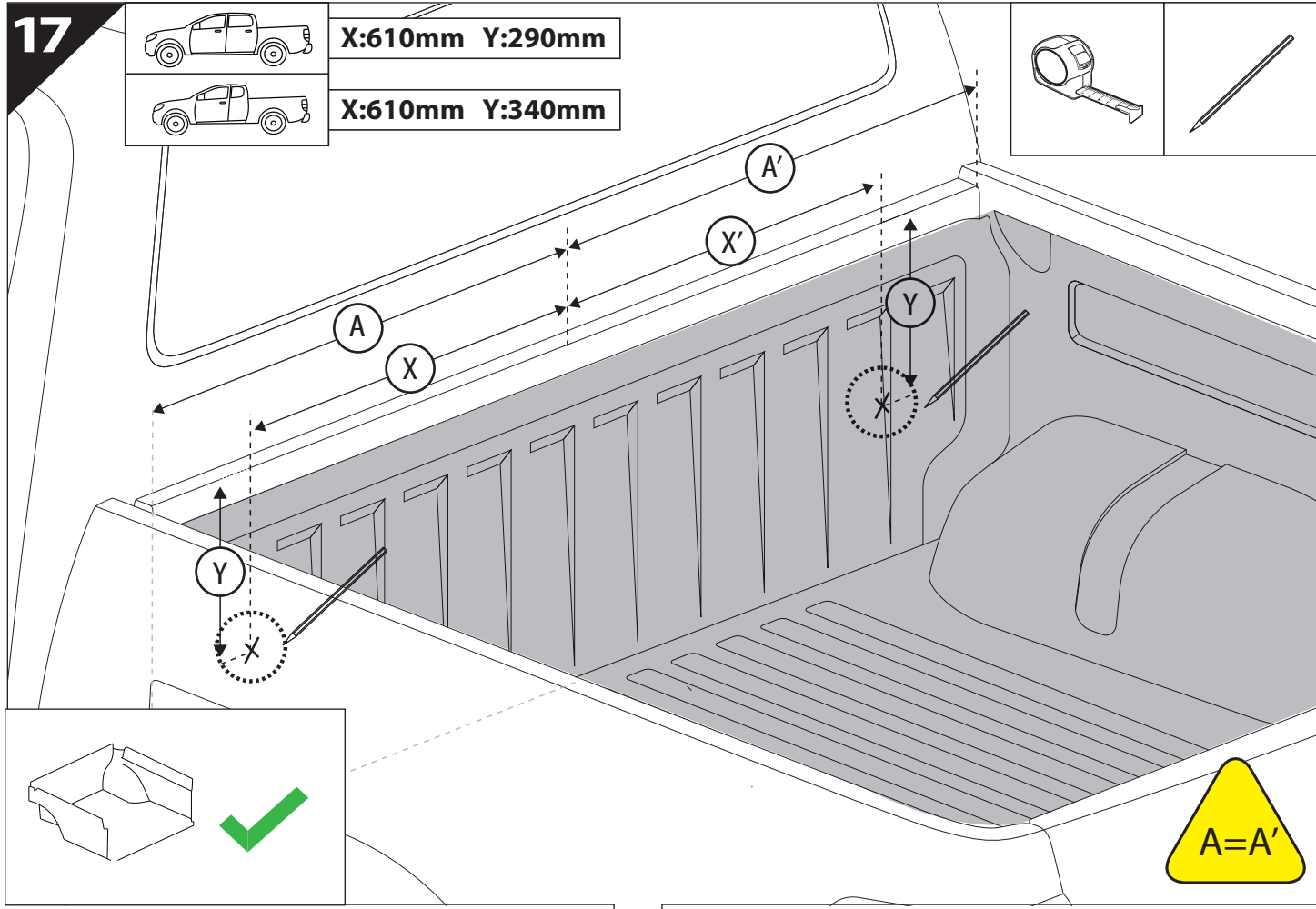
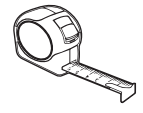
17



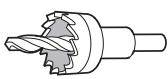
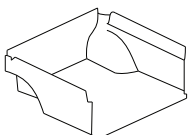
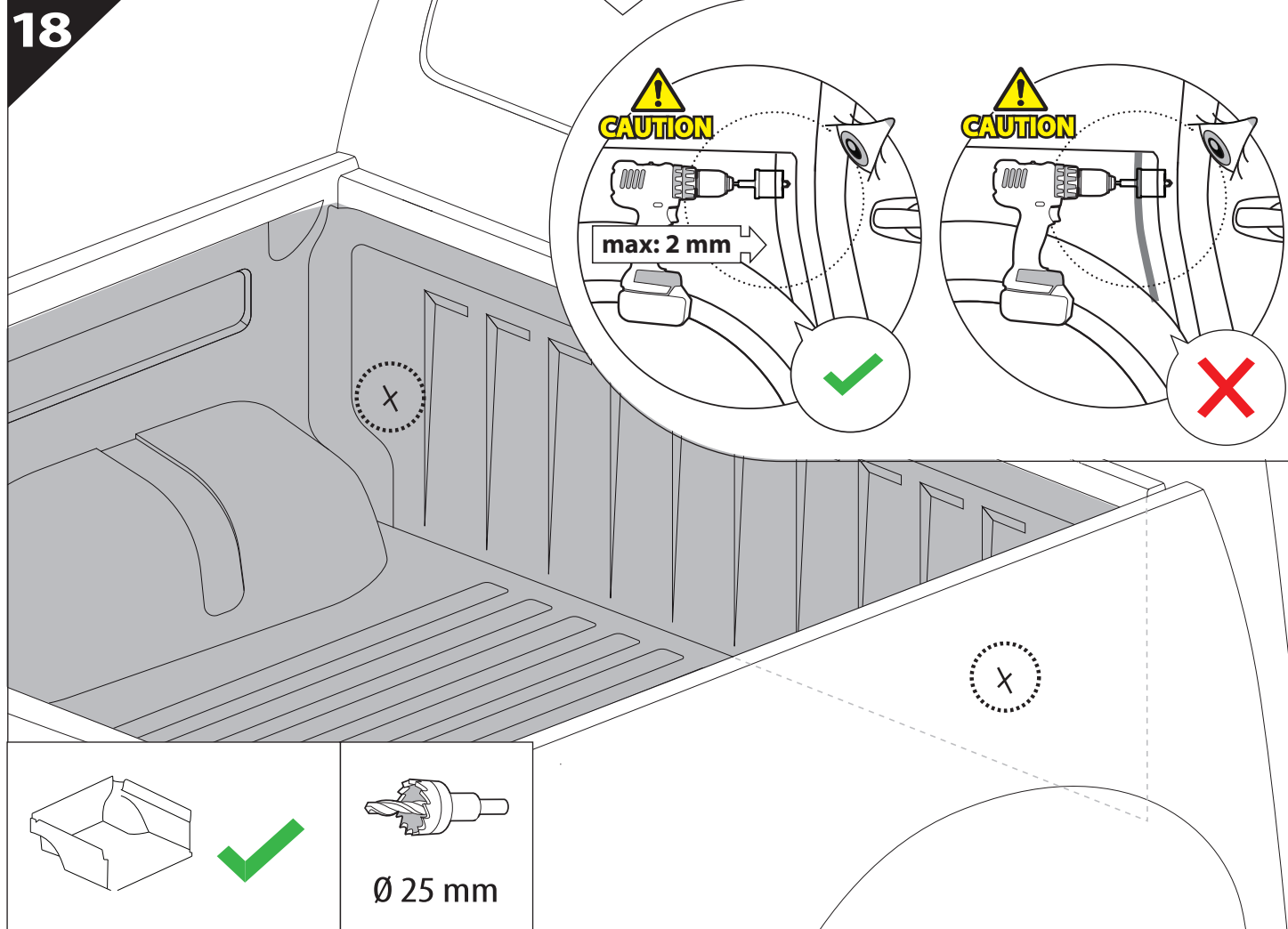
X:610mm Y:290mm



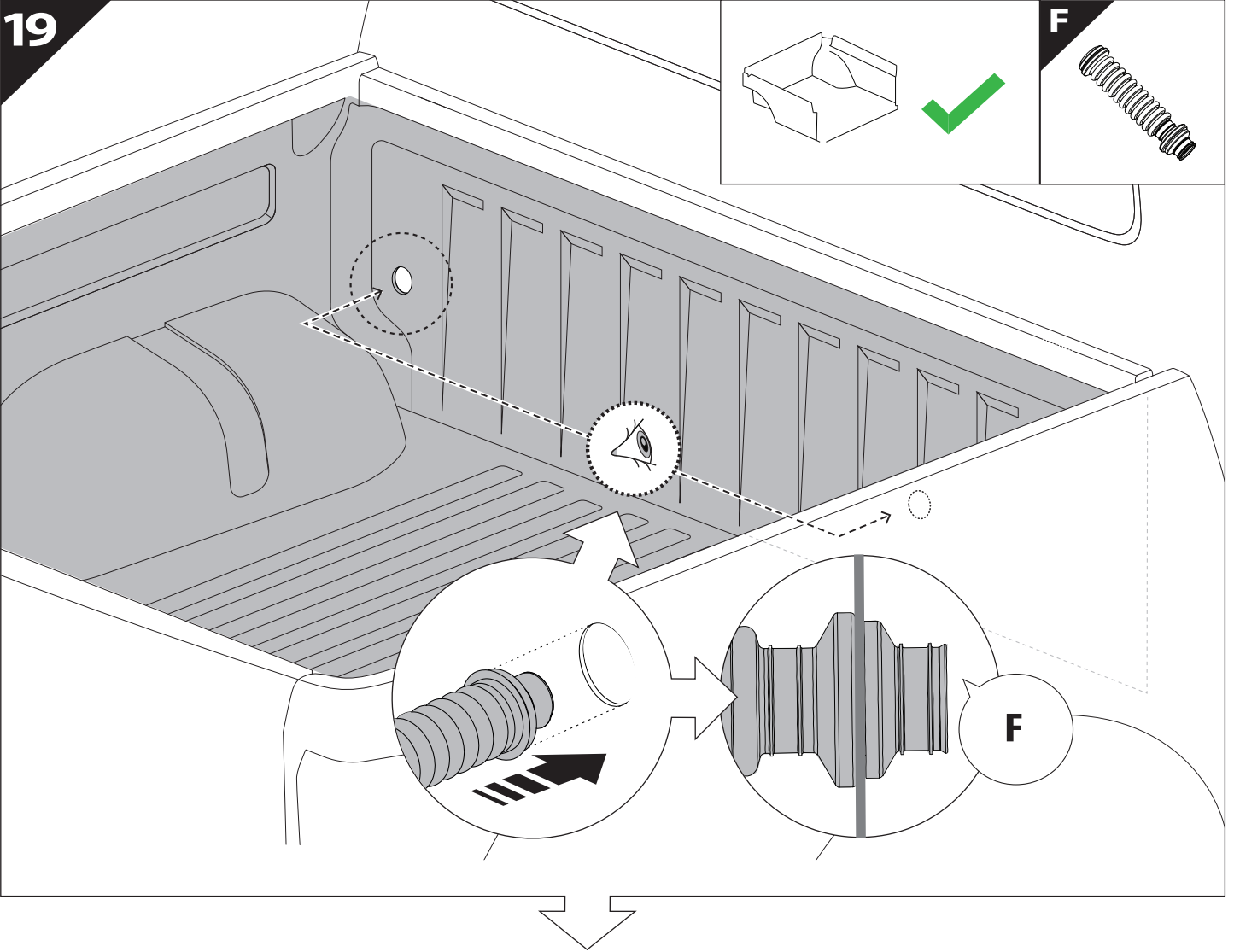
X:610mm Y:340mm

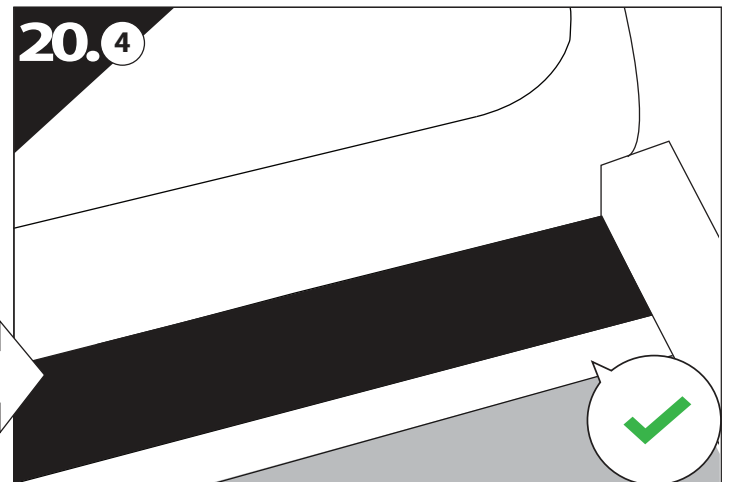
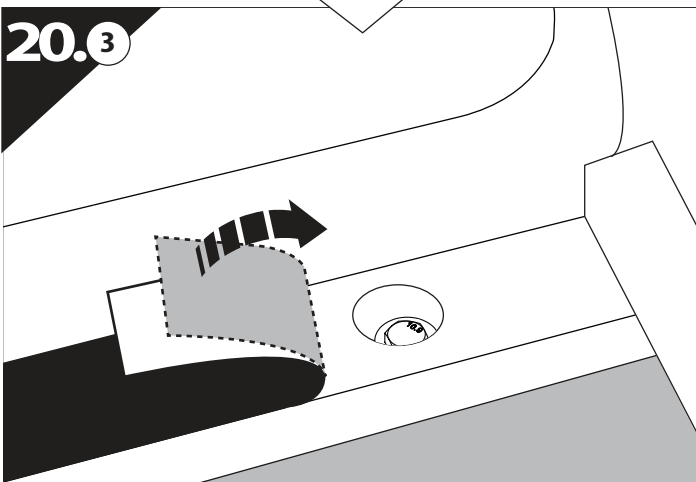
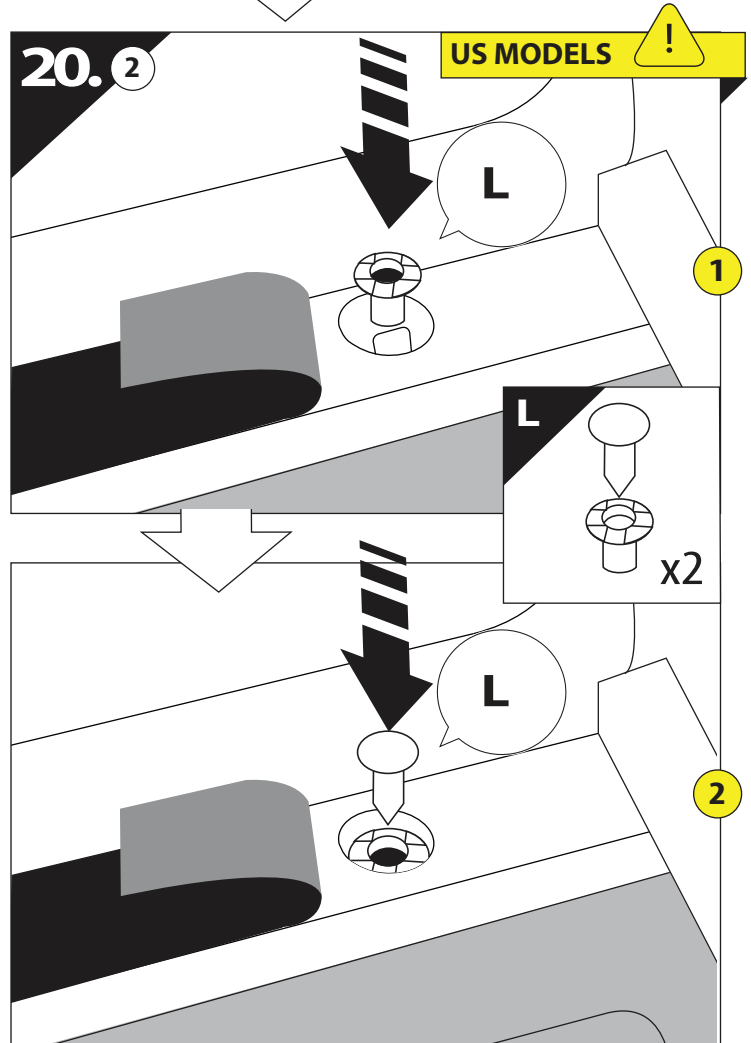
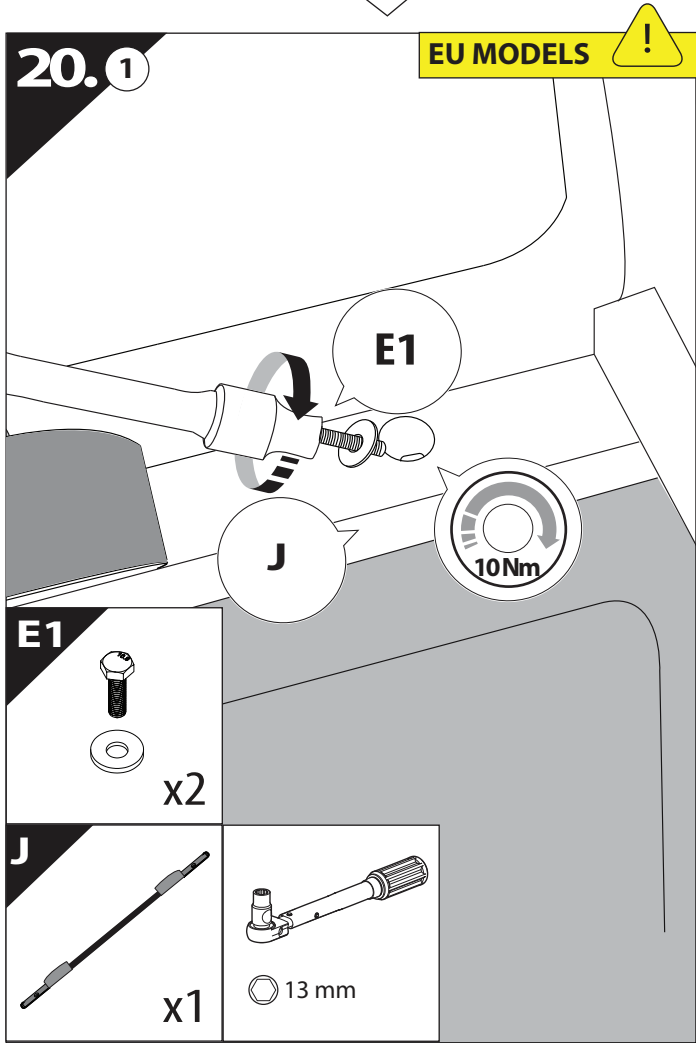
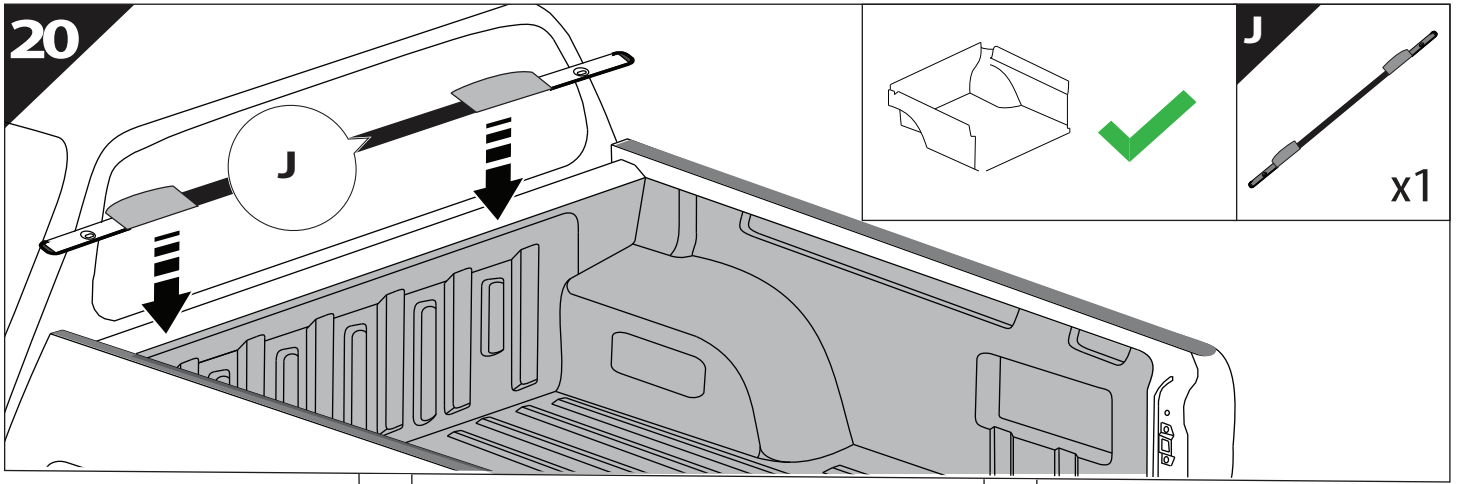


18



Ø 25 mm

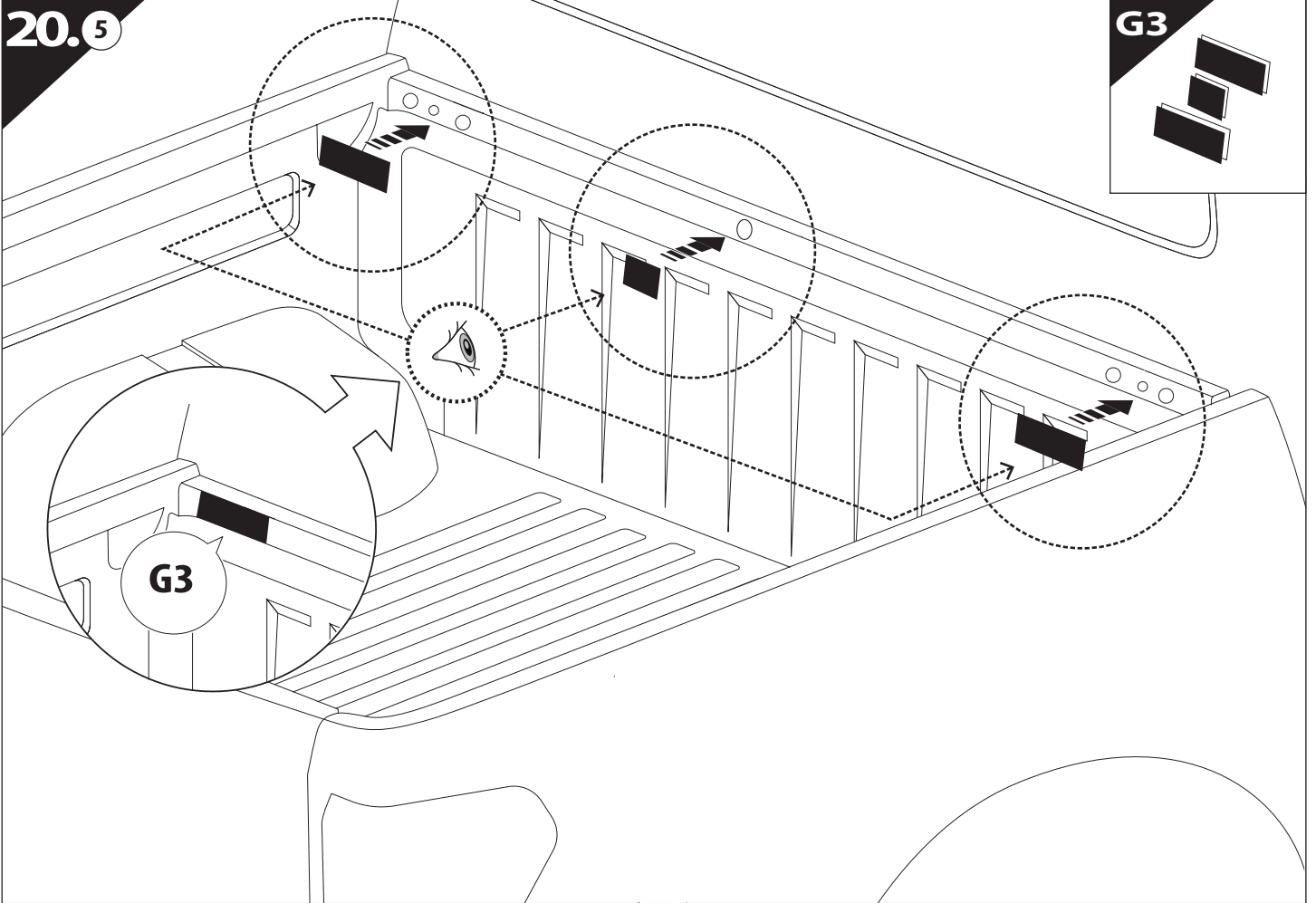






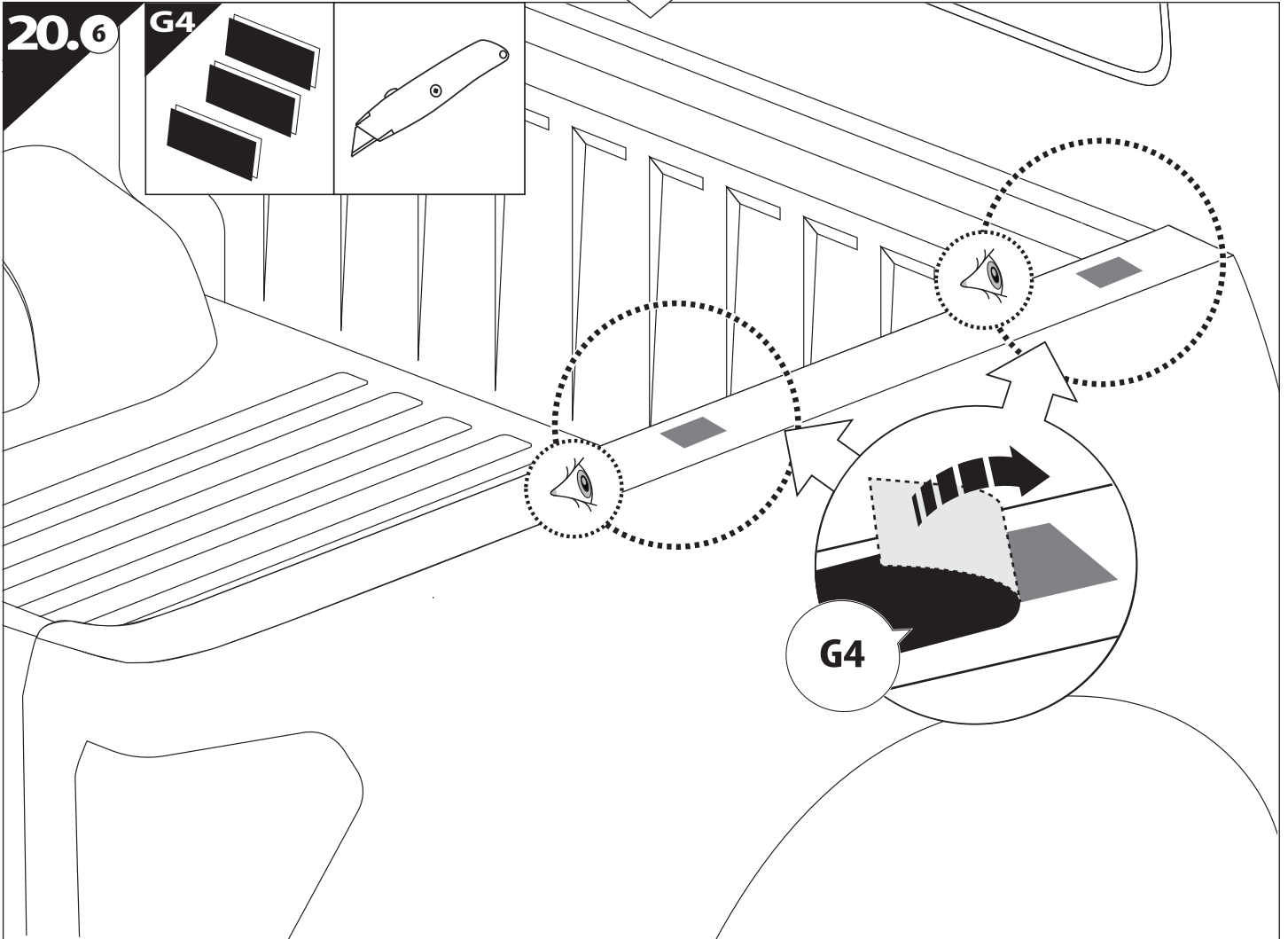
20.5

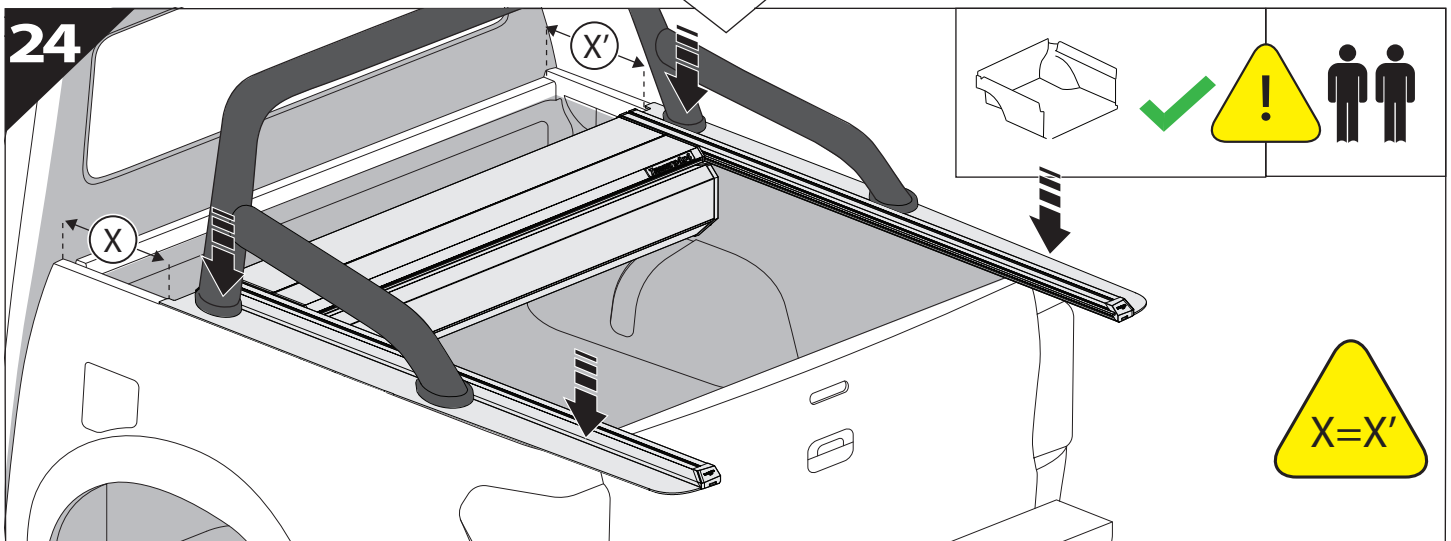
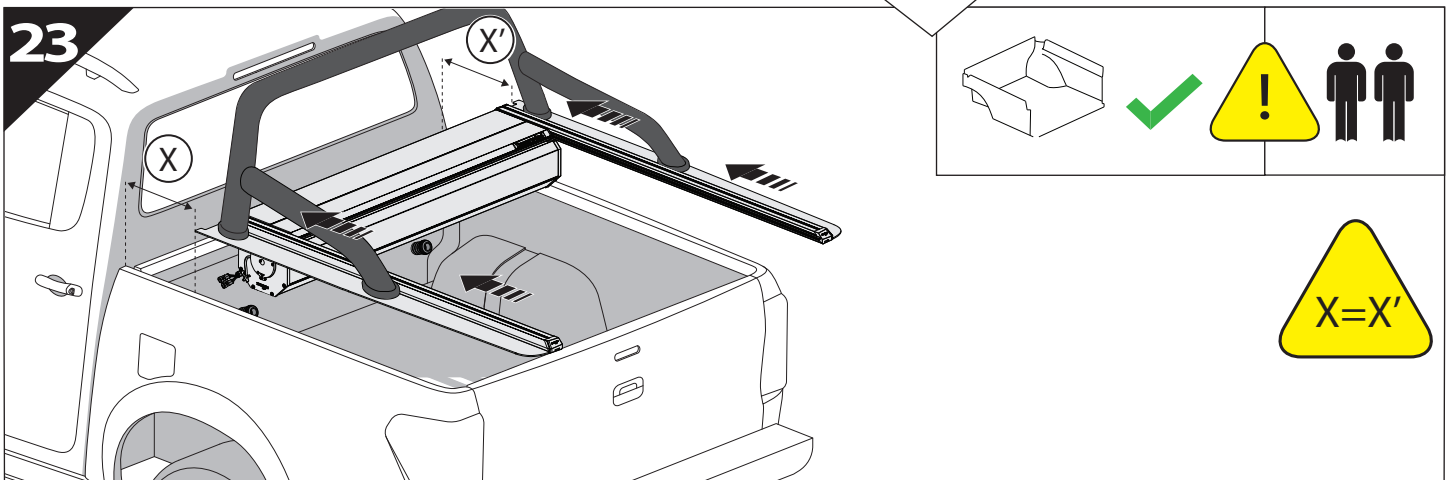
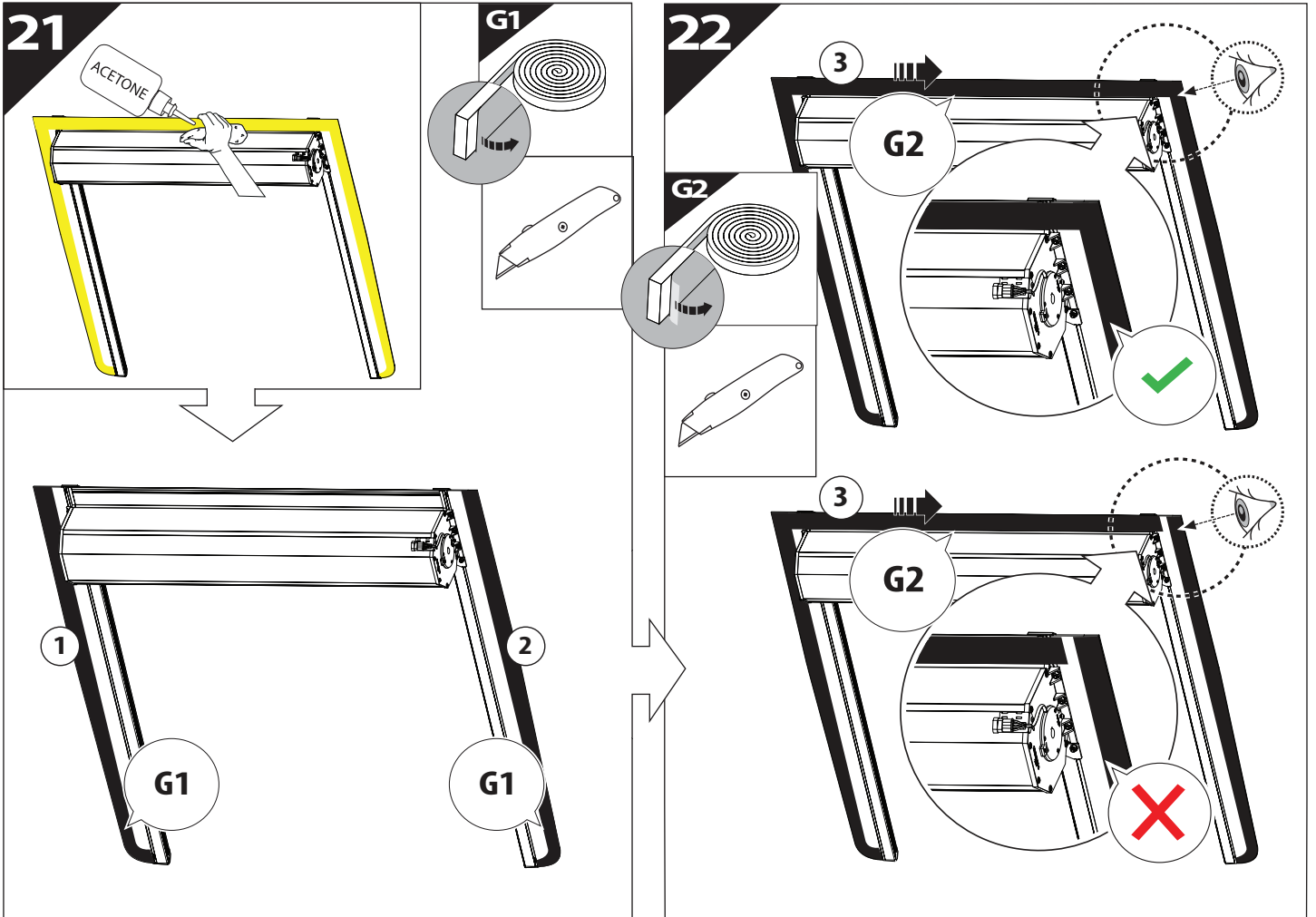
G3



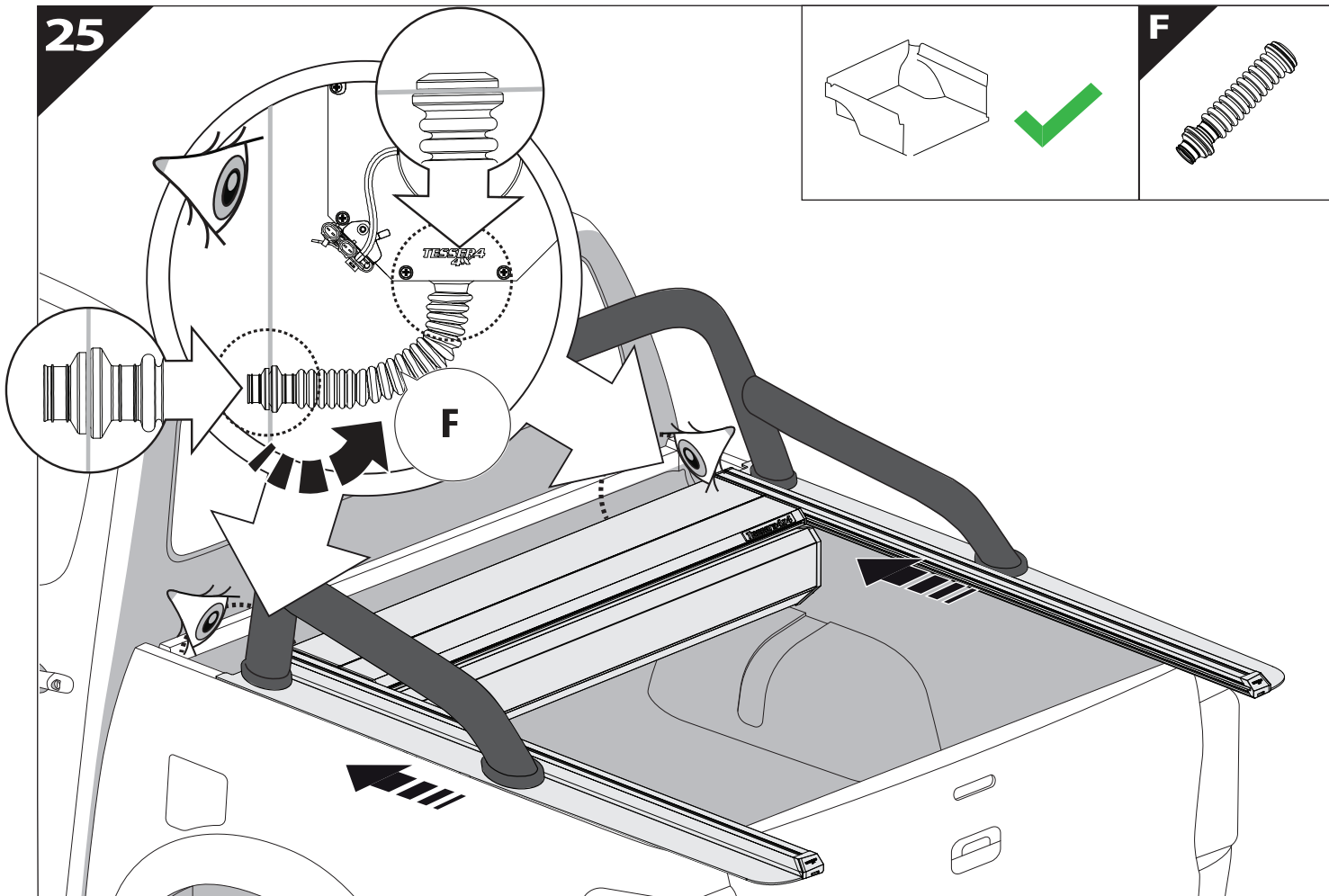
20.6

G4

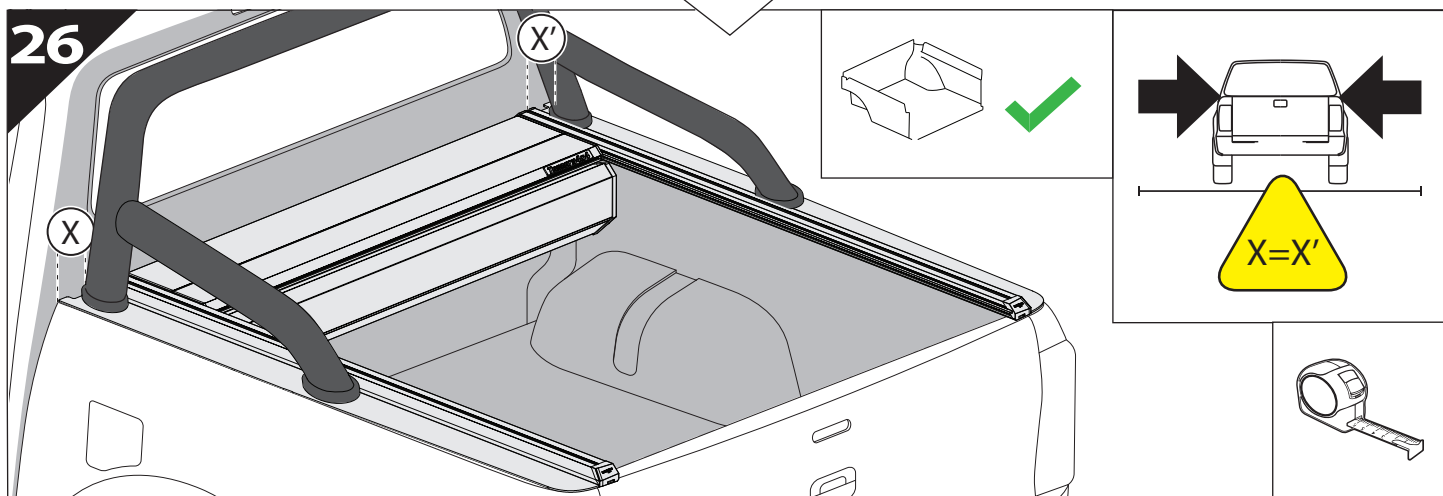




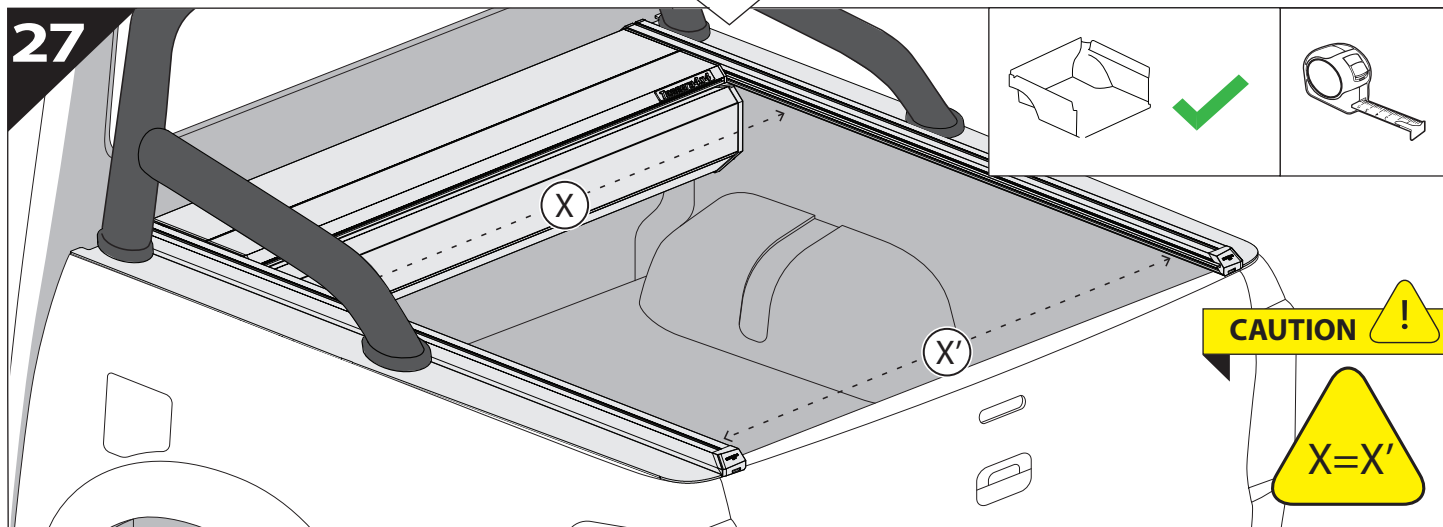
25



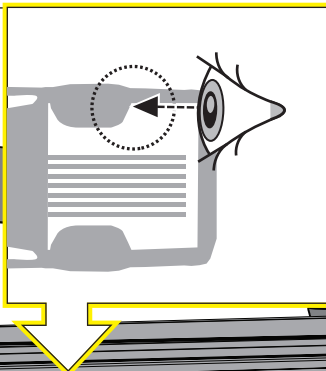
26



27



28



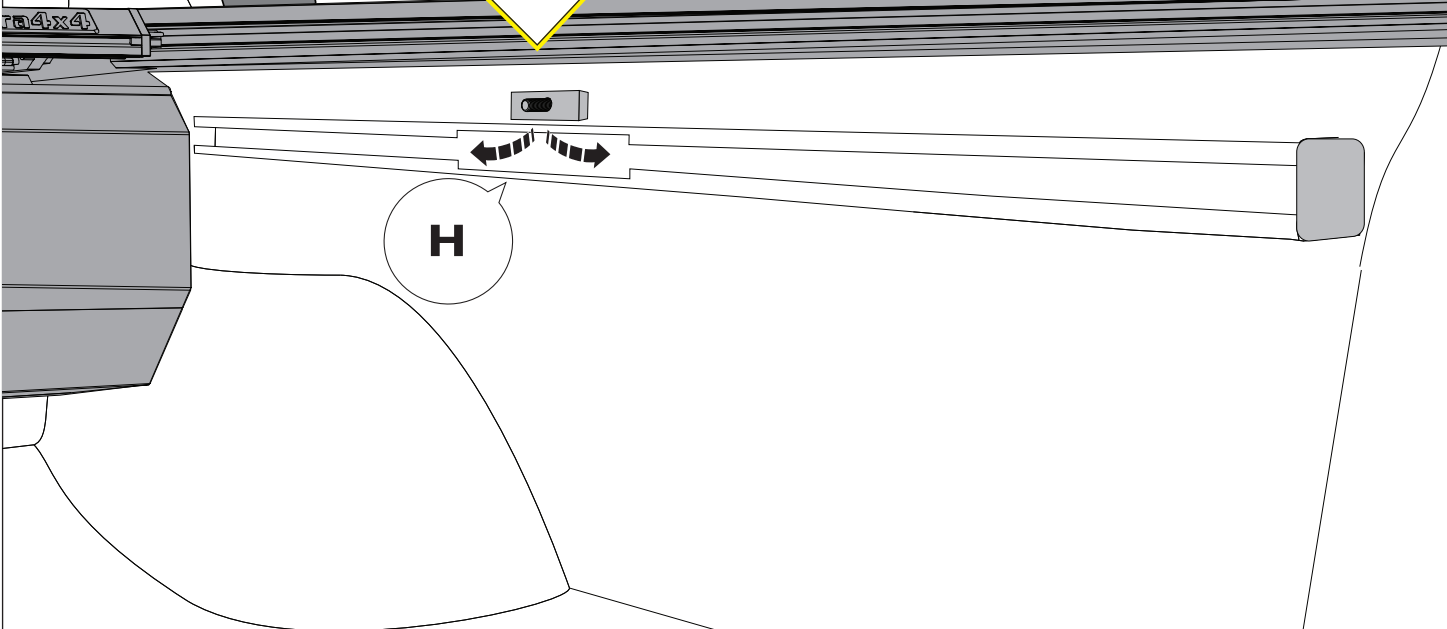
**H**

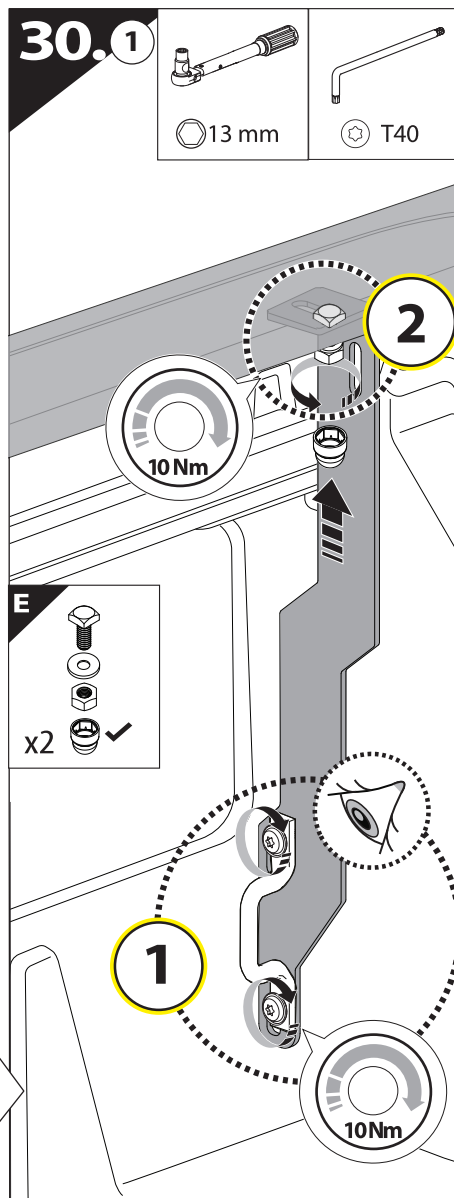
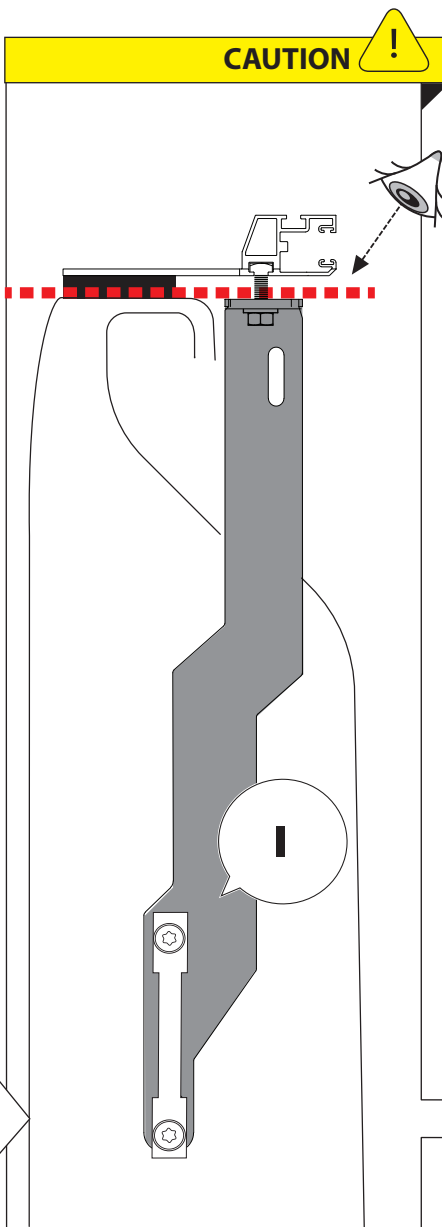
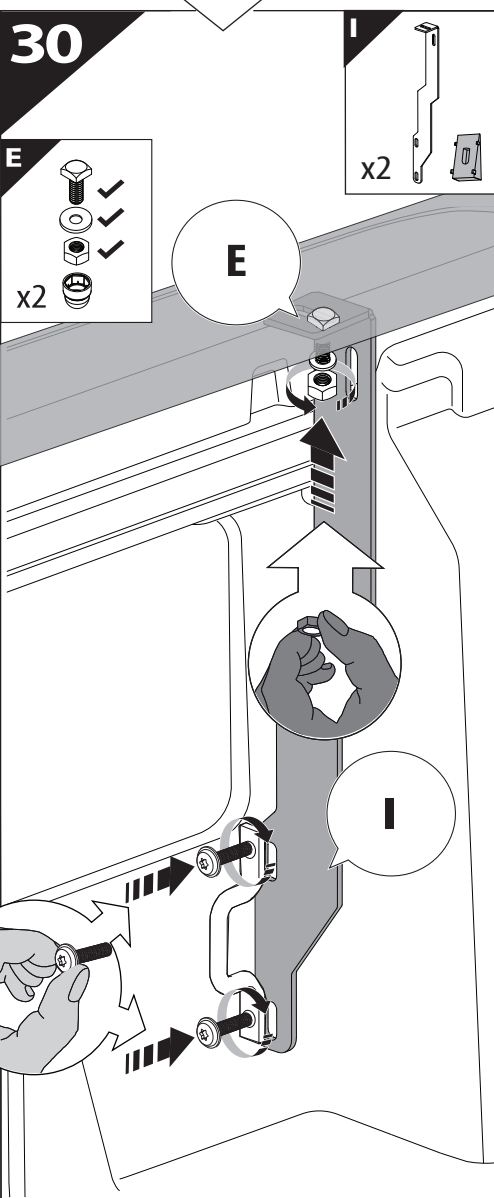
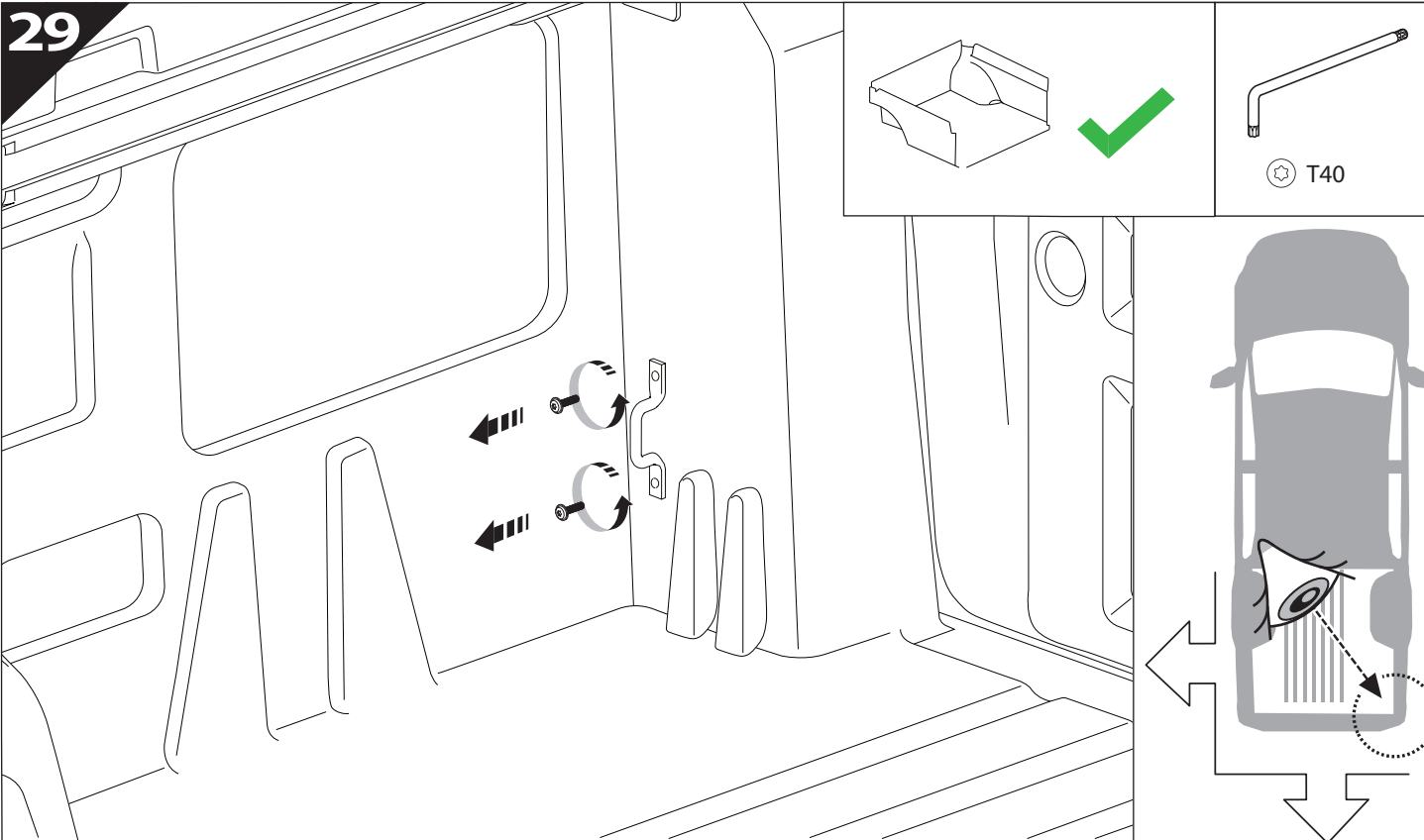
- Vertical bracket
- Small rectangular component
- Circular cap
- Switch

✓

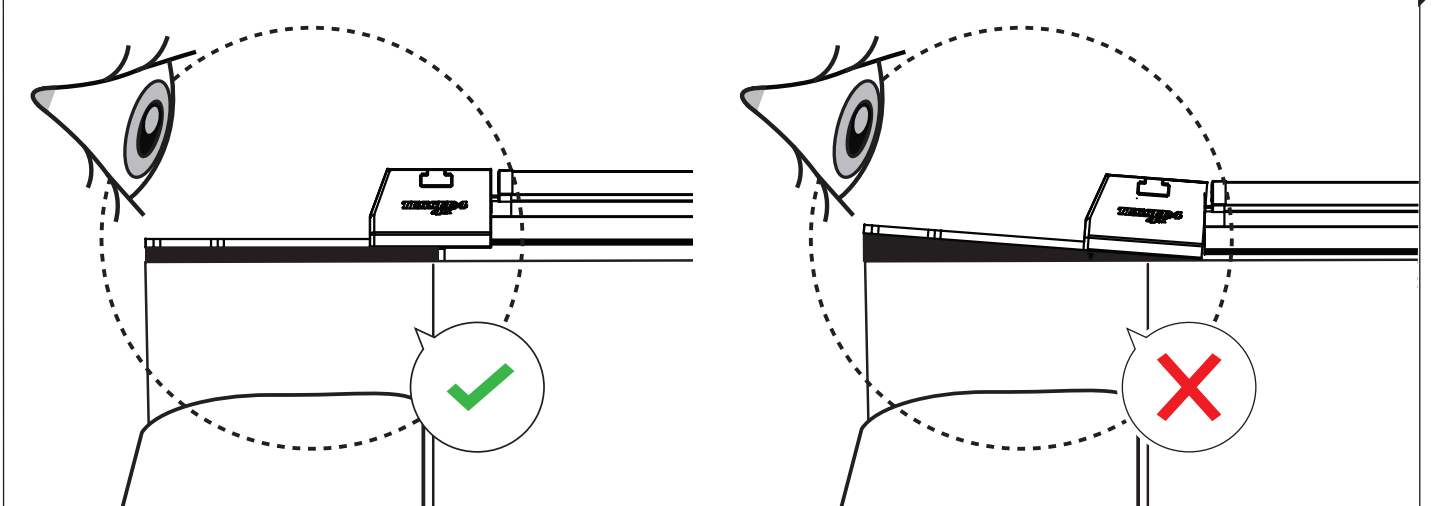
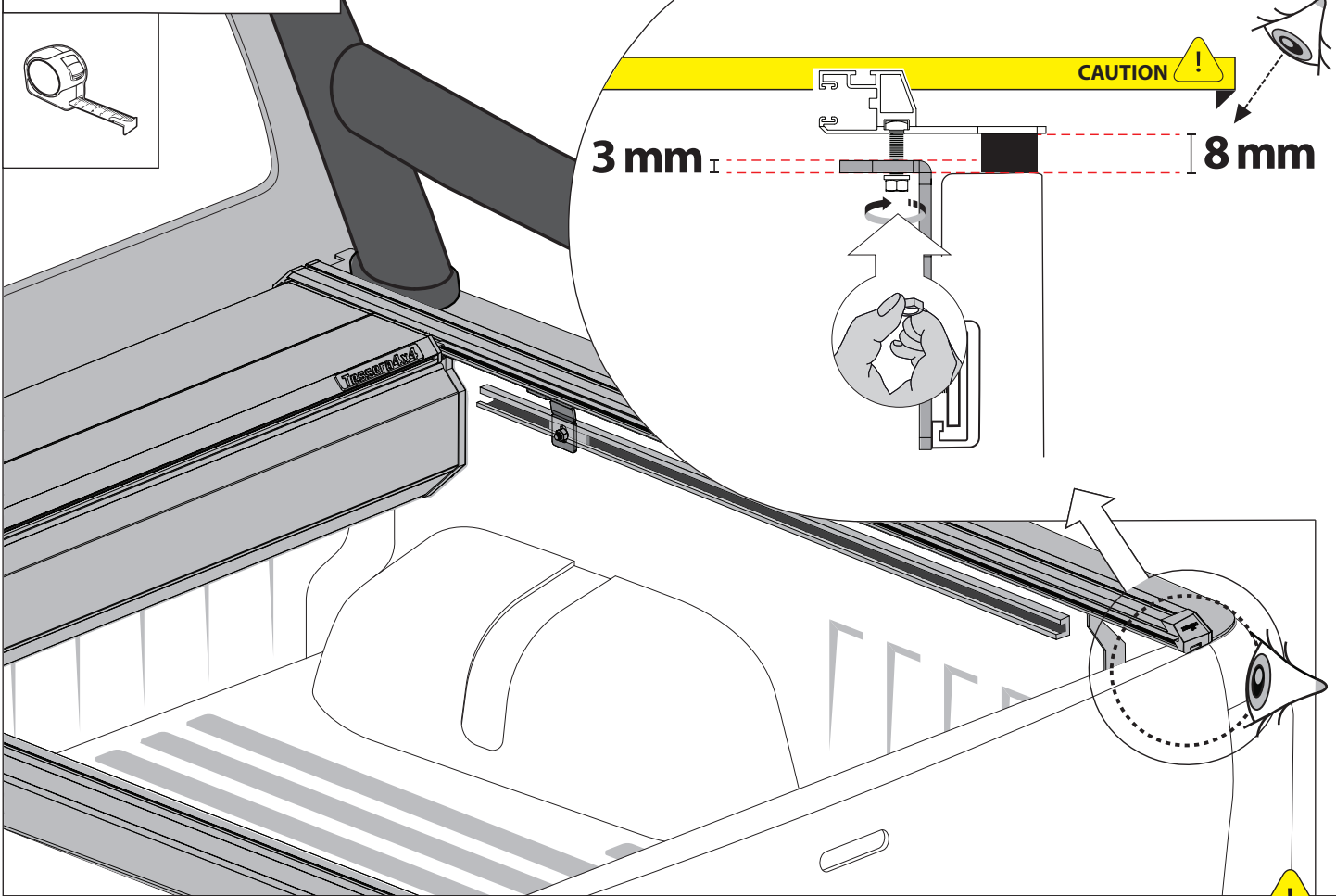
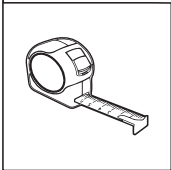
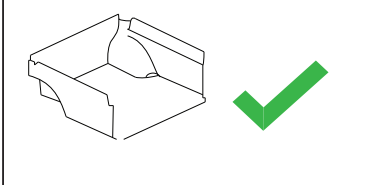
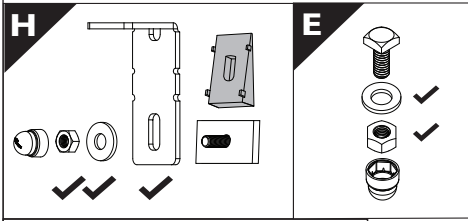
x2

x4

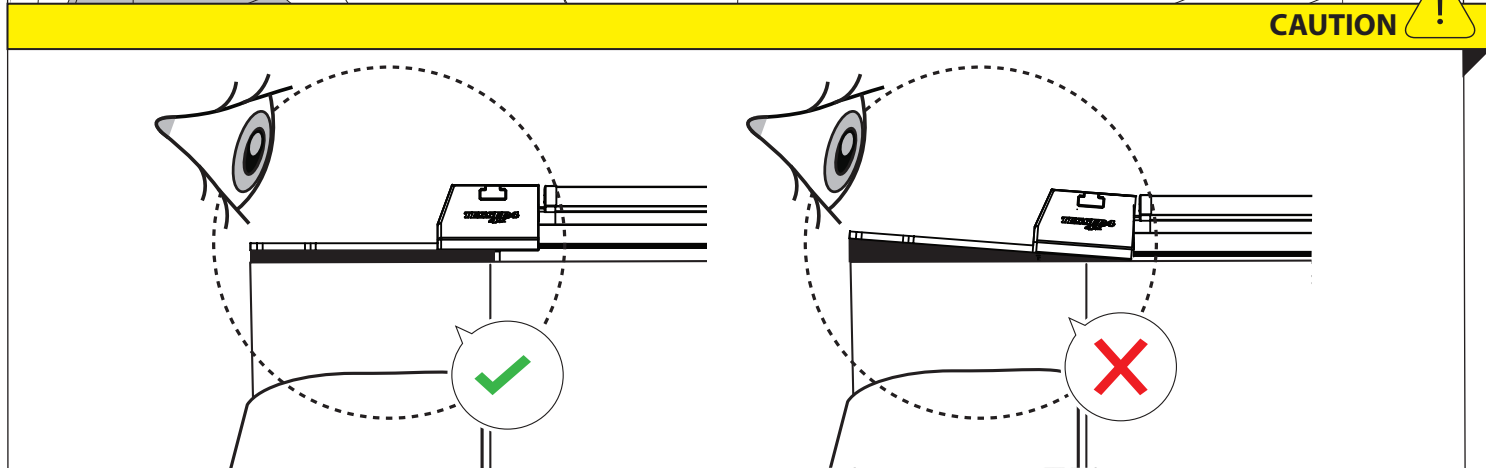
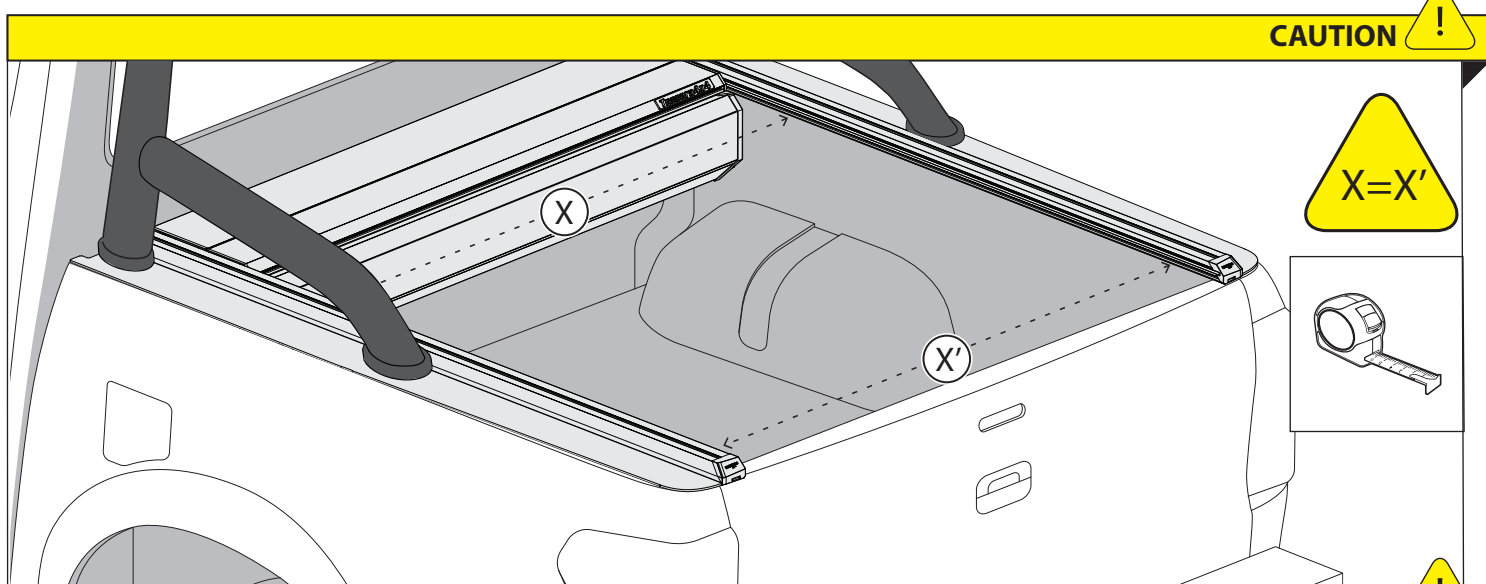
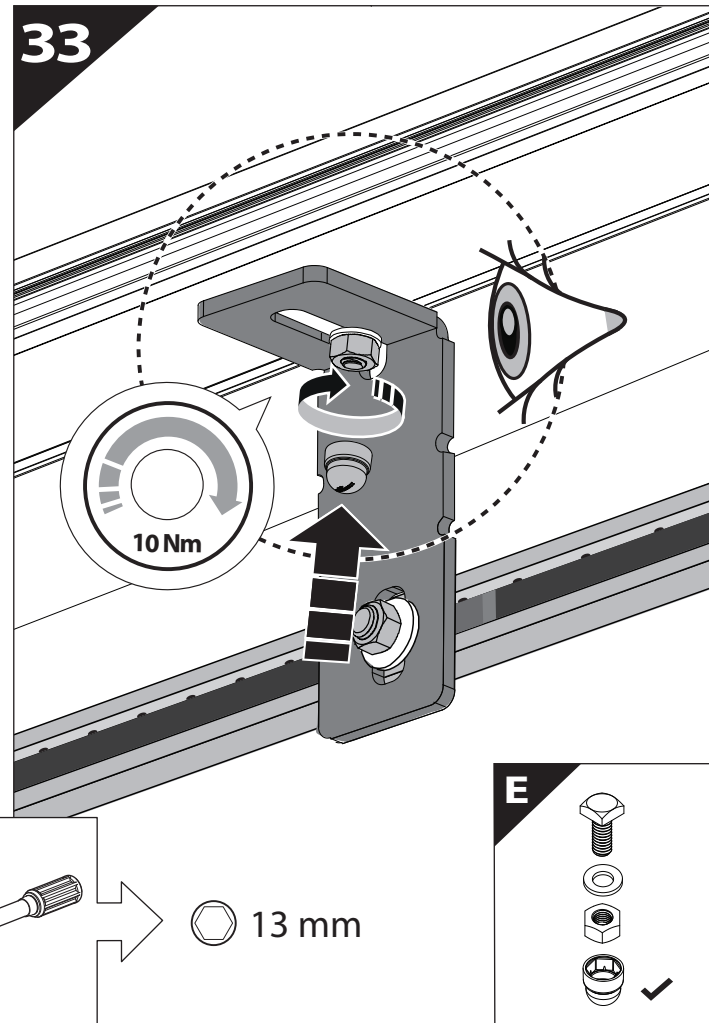
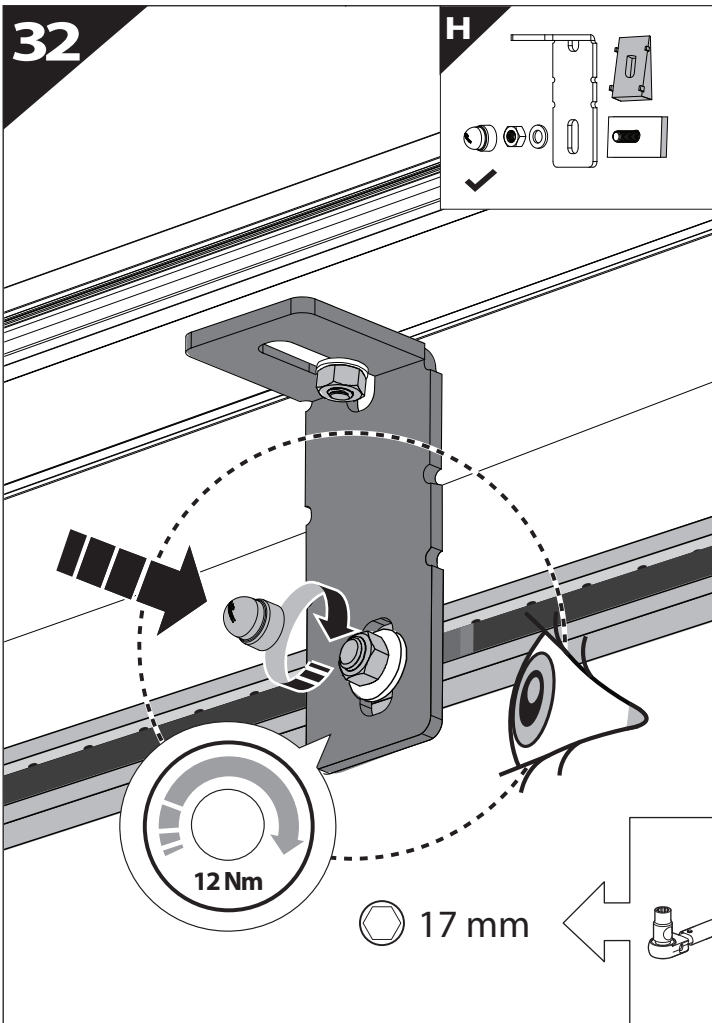


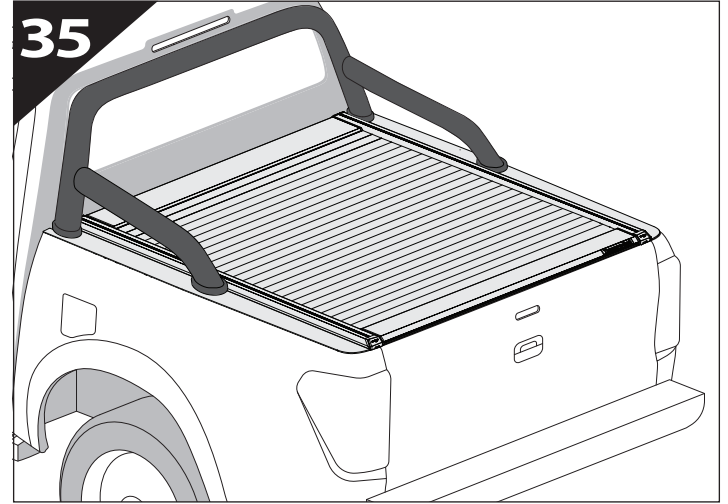
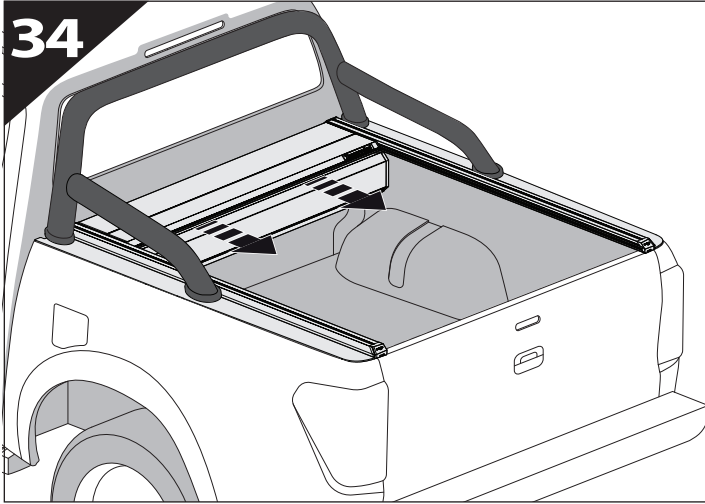


31









**GR:** Οδηγίες Εγκατάστασης  
**GB:** Installation manual  
**SF:** Asennusohje  
**F:** Notice de montage  
**PL:** Instrukcja montażu  
**NL:** Installatie-instructies  
**TR:** Montaj Talimatı  
**S:** Monteringsanvisning  
**E:** Instrucciones de montaje

**H:** Szerelési utasítás  
**P:** Instruções de instalação  
**RUS:** Инструкция по установке  
**N:** Monteringsveiledning  
**D:** Einbauanleitung  
**CZ:** Návod k instalaci  
**I:** Istruzioni de montaggio  
**DK:** Monteringsvejledning  
**RO:** Instructiuni de instalare

Customer Service:

+30 (210) 5541161, +30 (210) 5541154 (08:00 - 16:00 EET)

Support department:

info@gianso.gr

Website:

www.tessera4x4.com

Address:

19.5 km of National road Athens-Korinthos (Elefsina) Greece, P.C: 19200