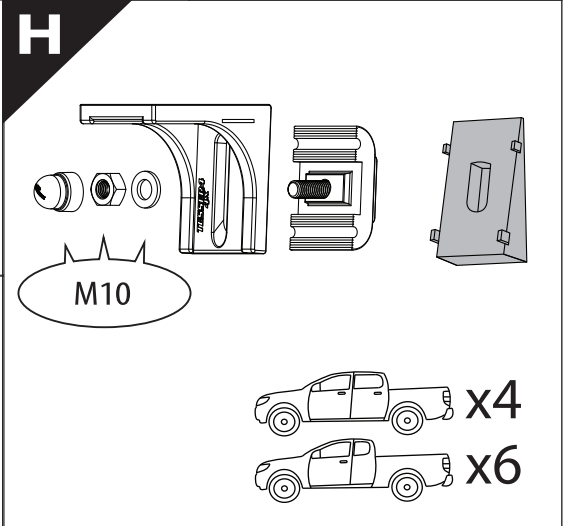
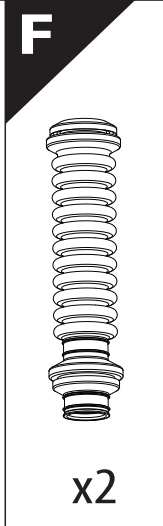
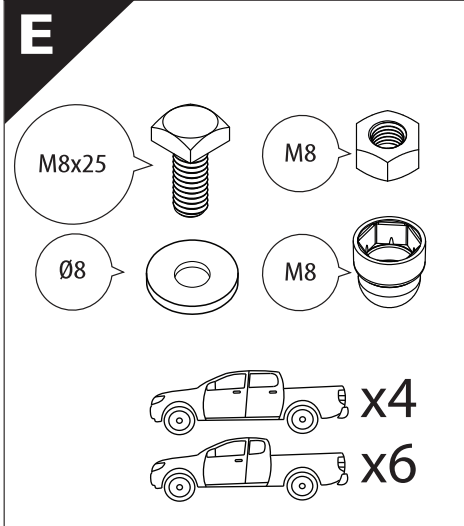
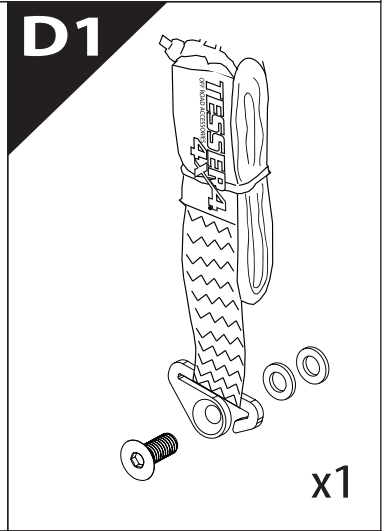
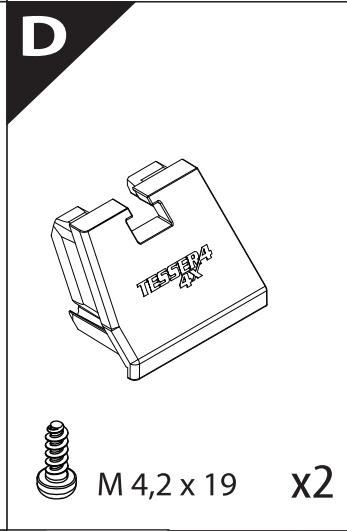
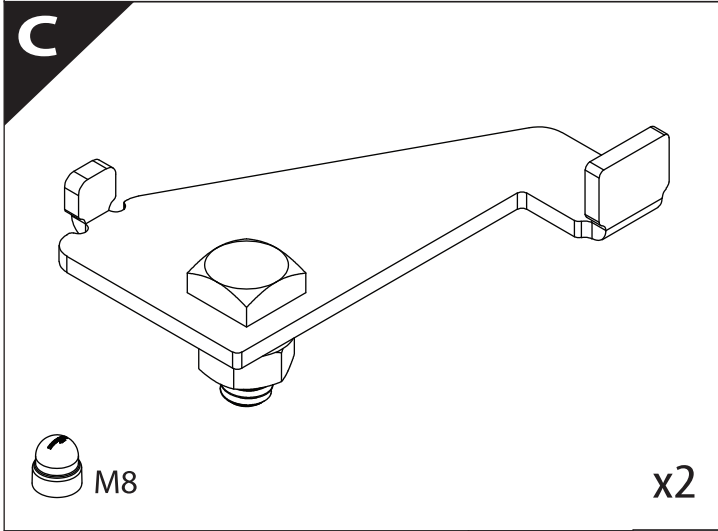
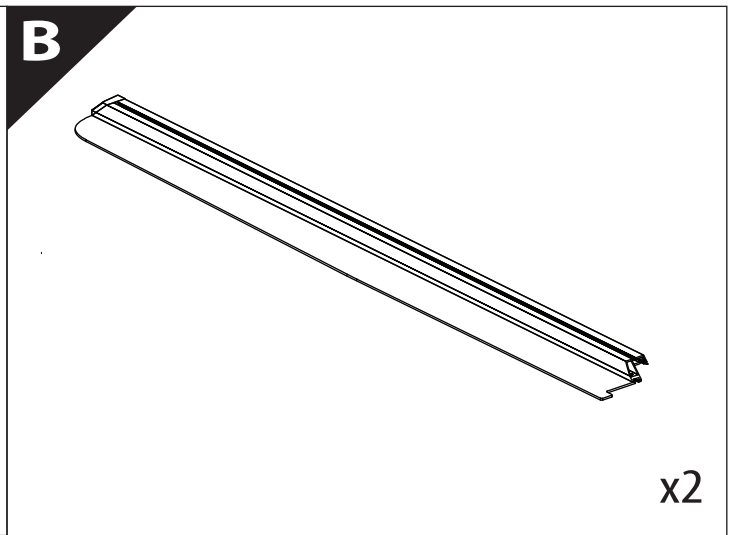
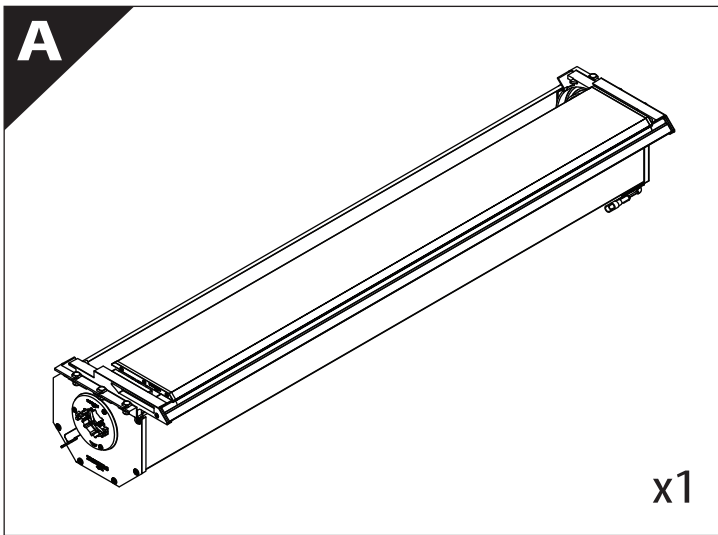
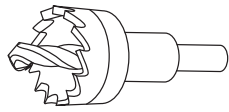


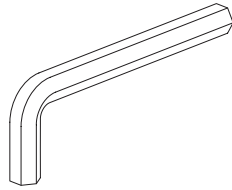
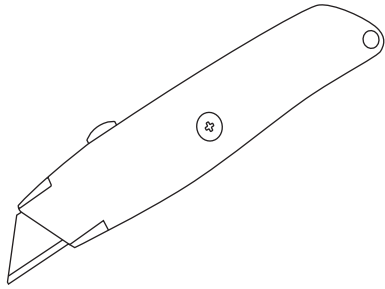
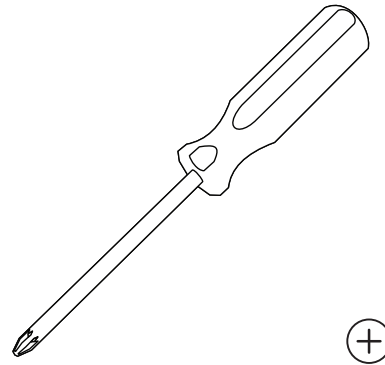
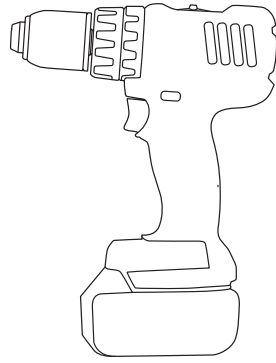
Installation Manual

PART NUMBER(S)	Model Year
TESS 15041 SE	ISUZU DMAX 2021+
TESS 15051 SE	
Cab(s)	Installation Time / Weight
Double Cab & Space cab	40-60 minutes / 53-57 kg



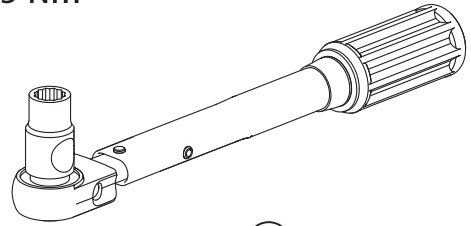


Ø 25 mm / Ø 40 mm



4 mm

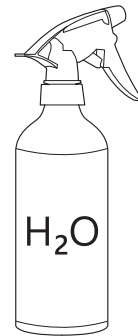
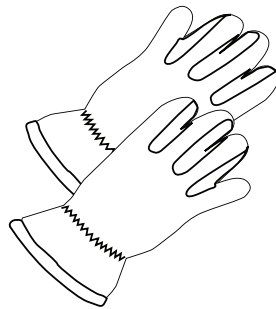
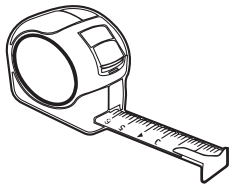
1 - 25 Nm



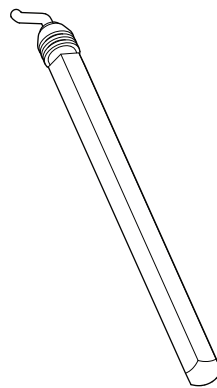
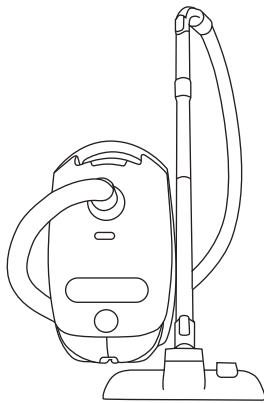
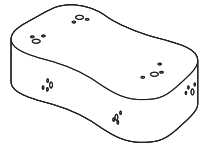
12, 13, 17 mm



ACETONE



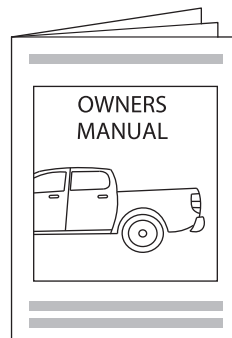
H₂O



ANTI-RUST

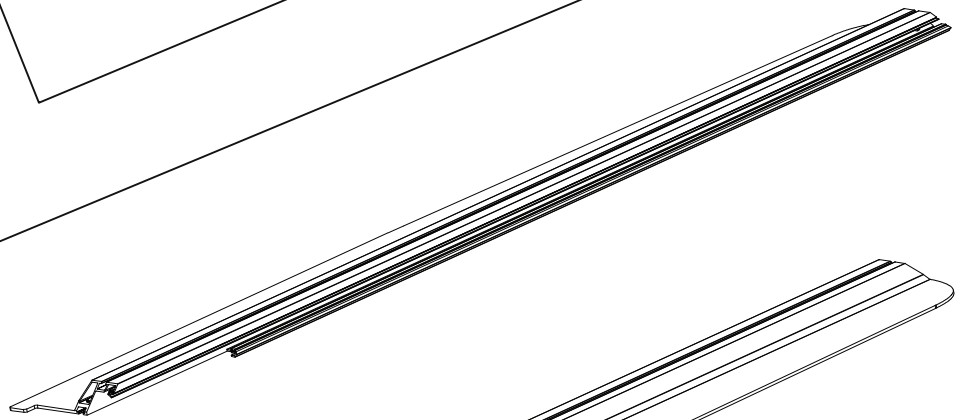
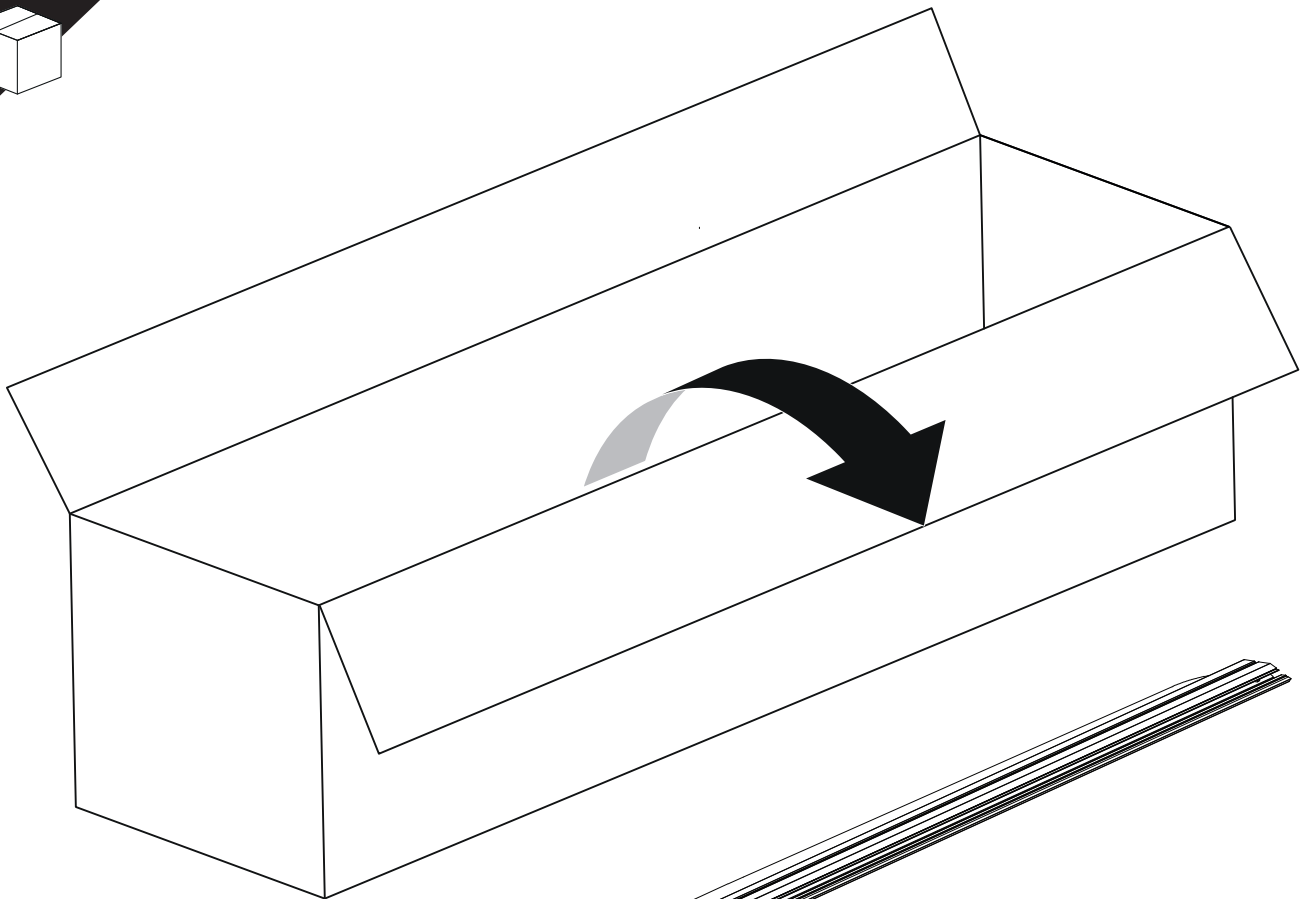


INSTALLATION
MANUAL

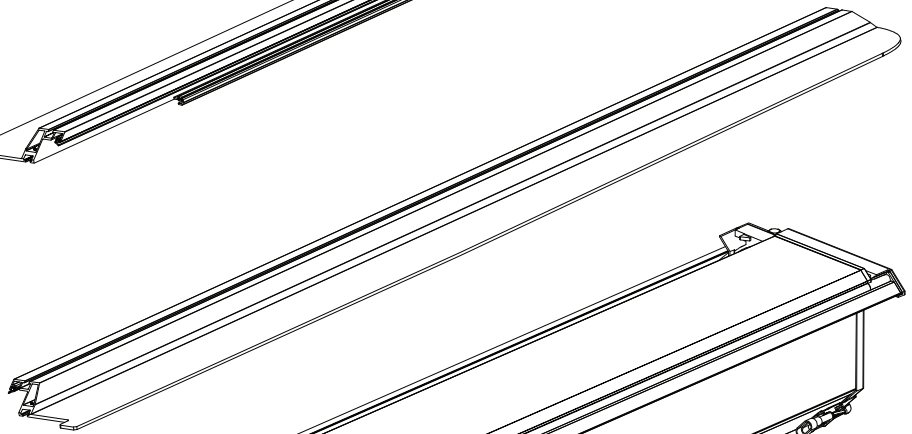


OWNERS
MANUAL

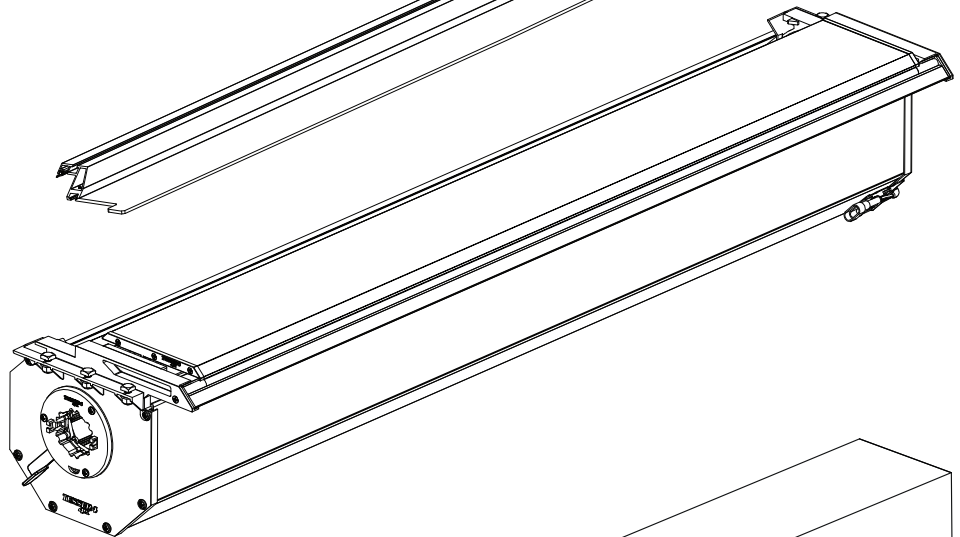
x1



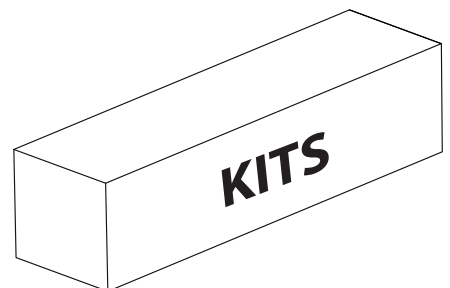
B



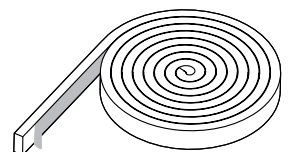
A

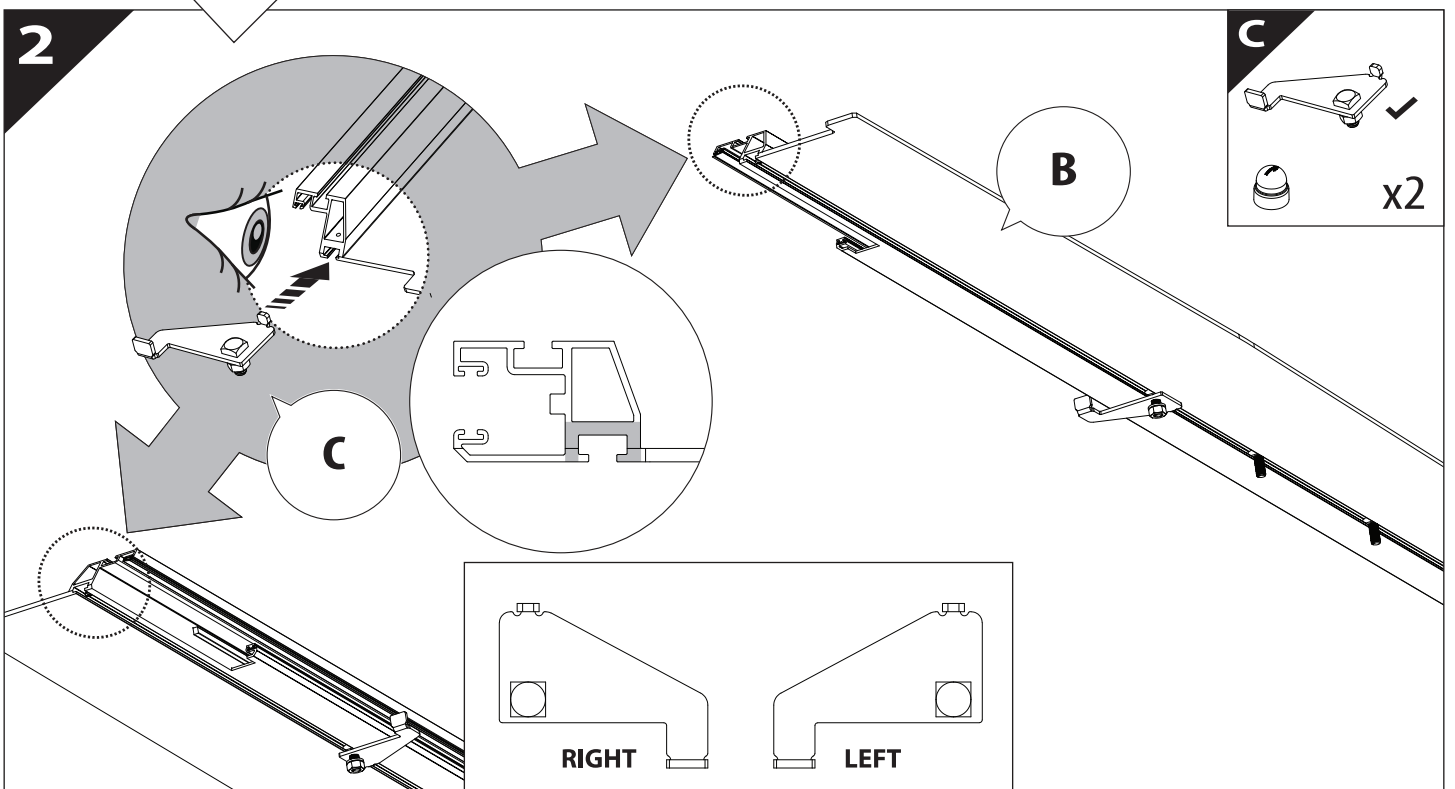
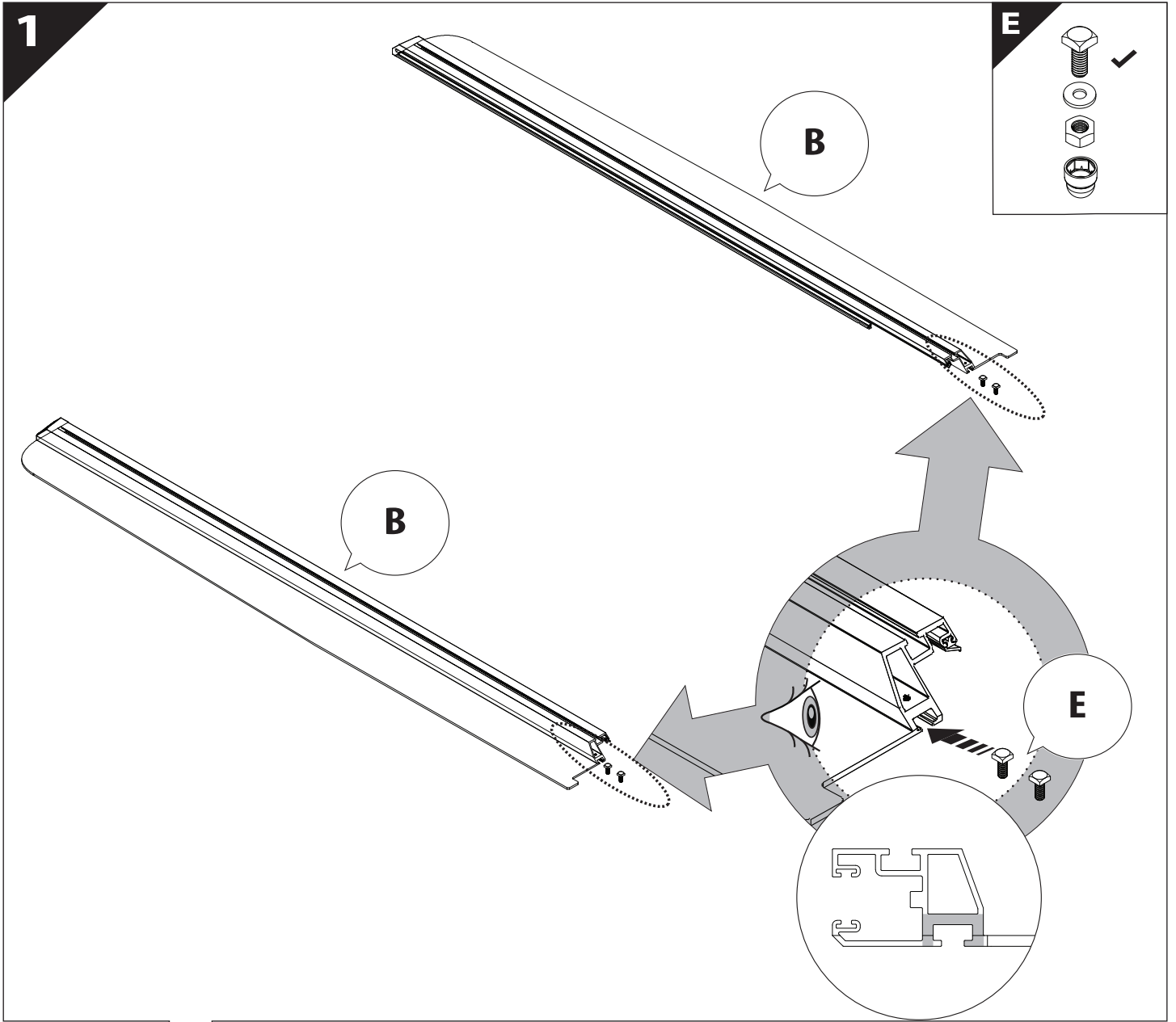


KITS

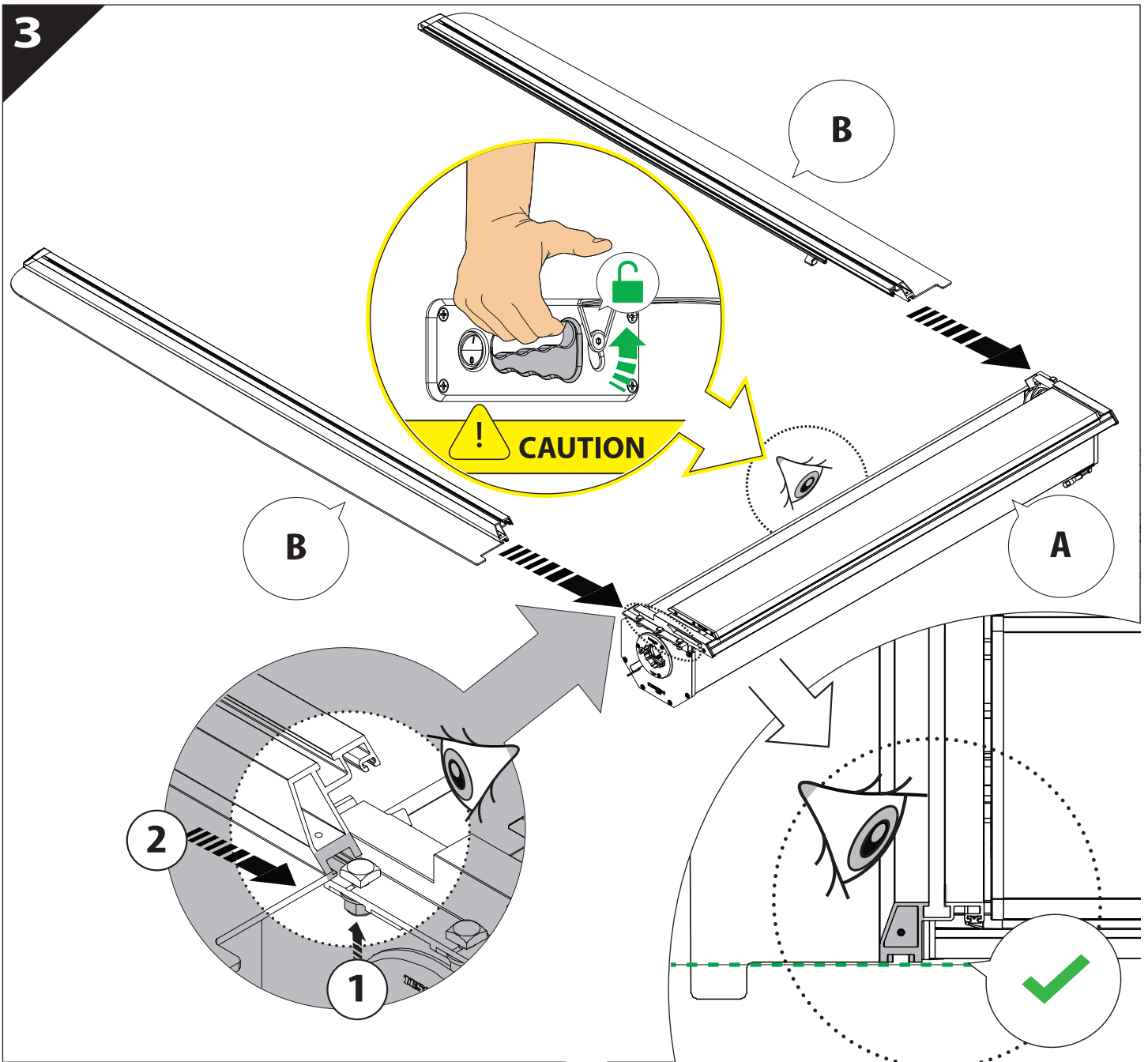


G

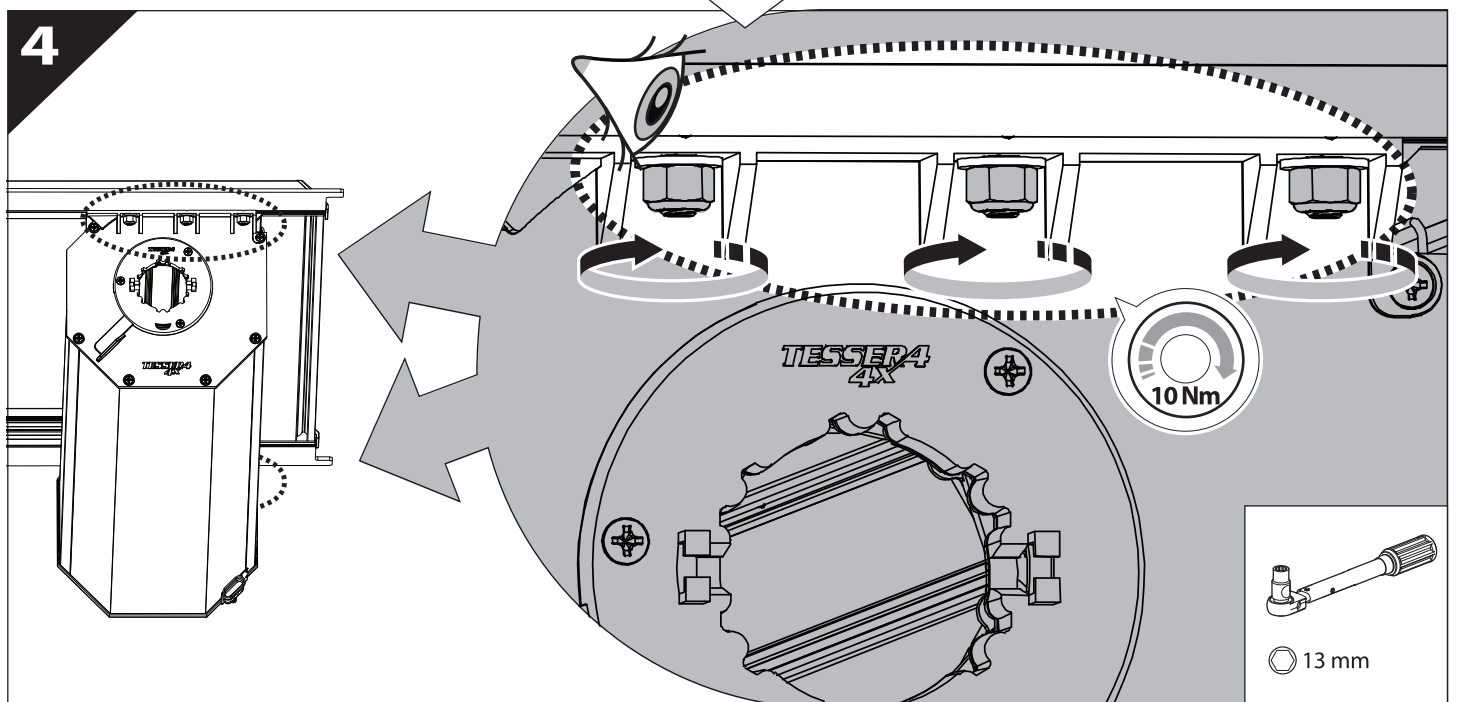


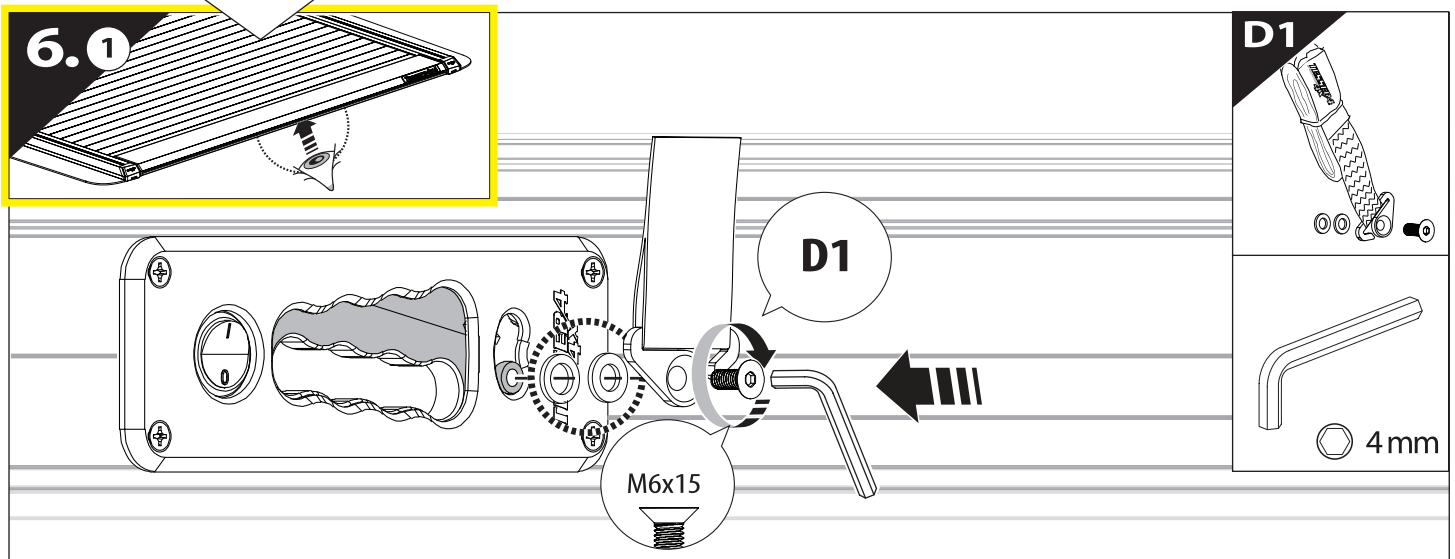
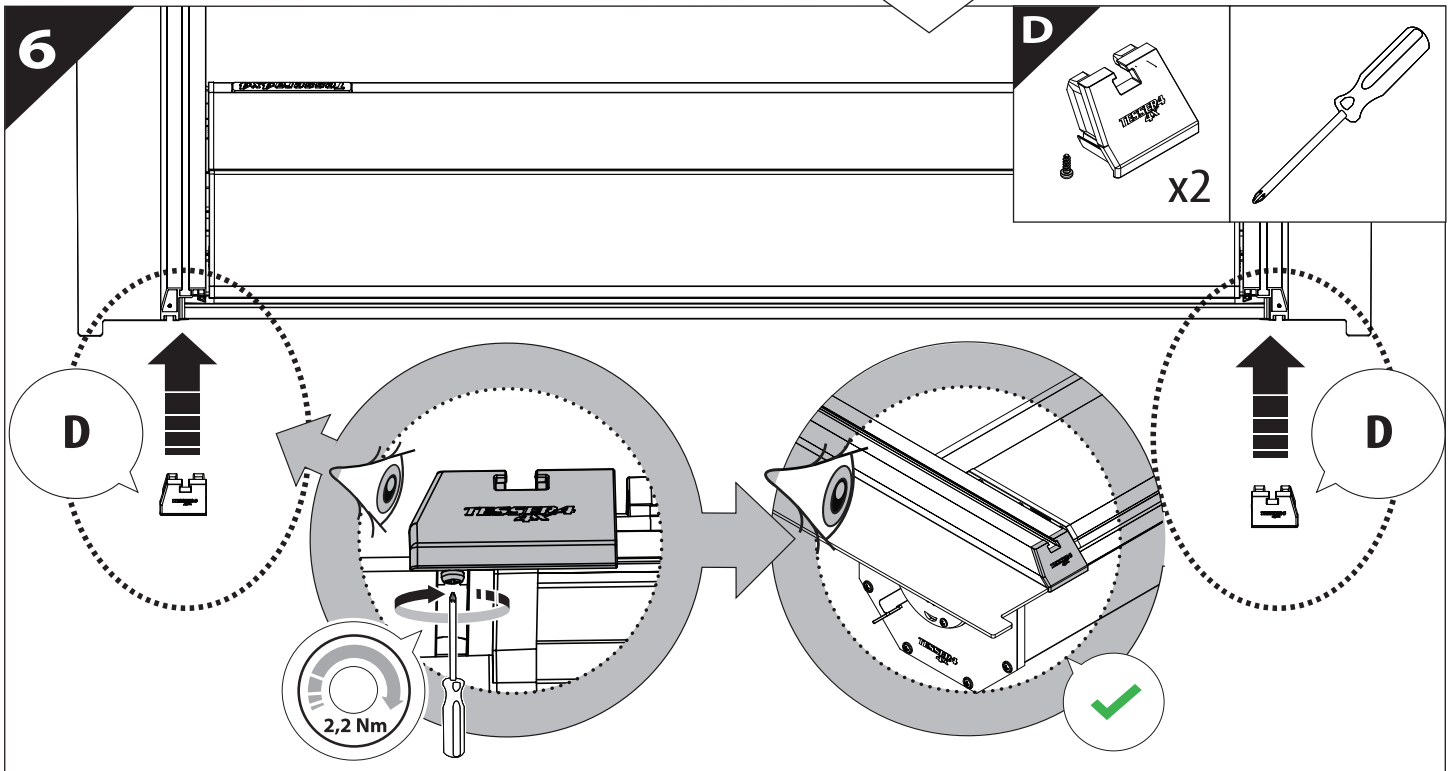
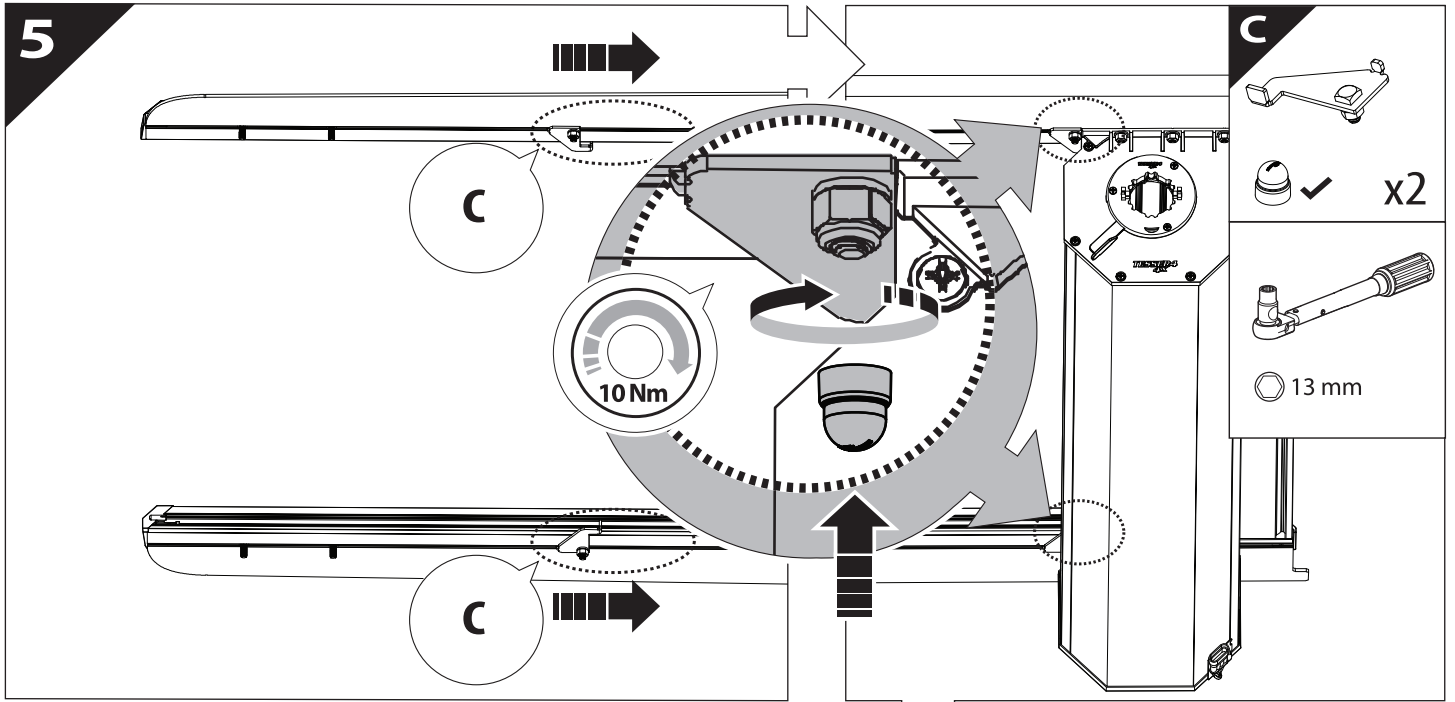


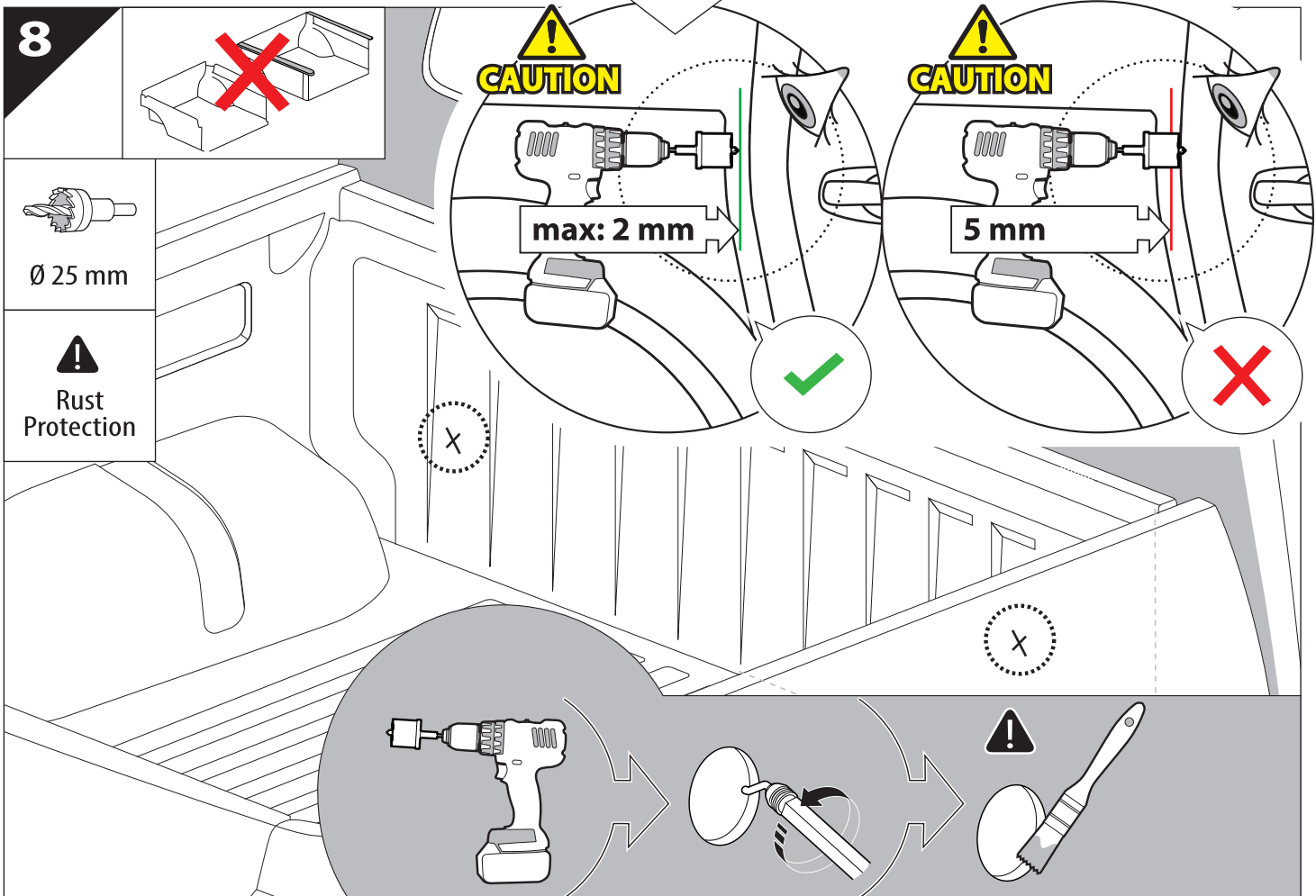
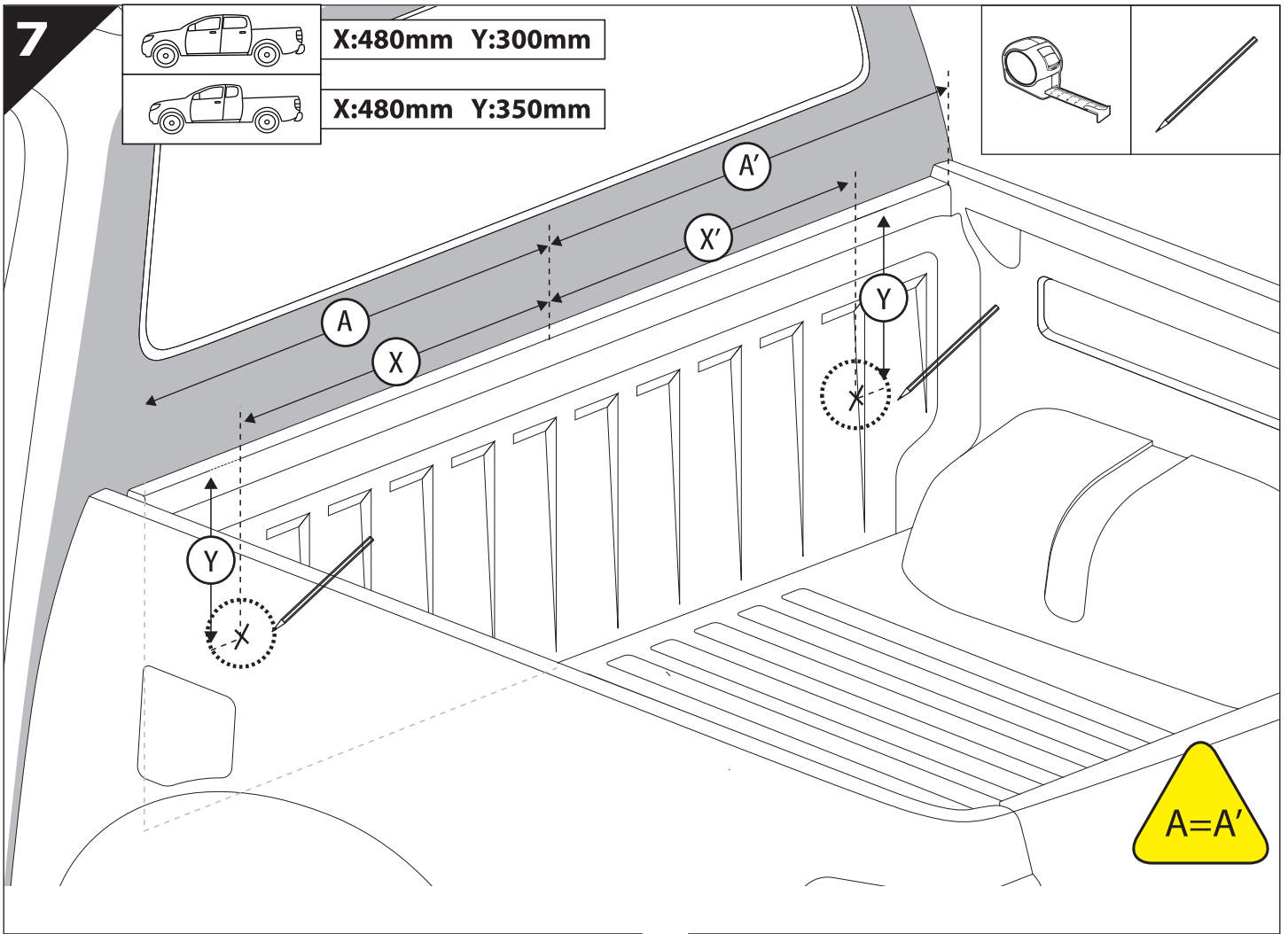
3



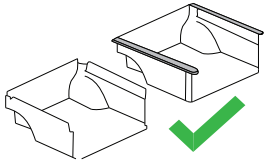
4





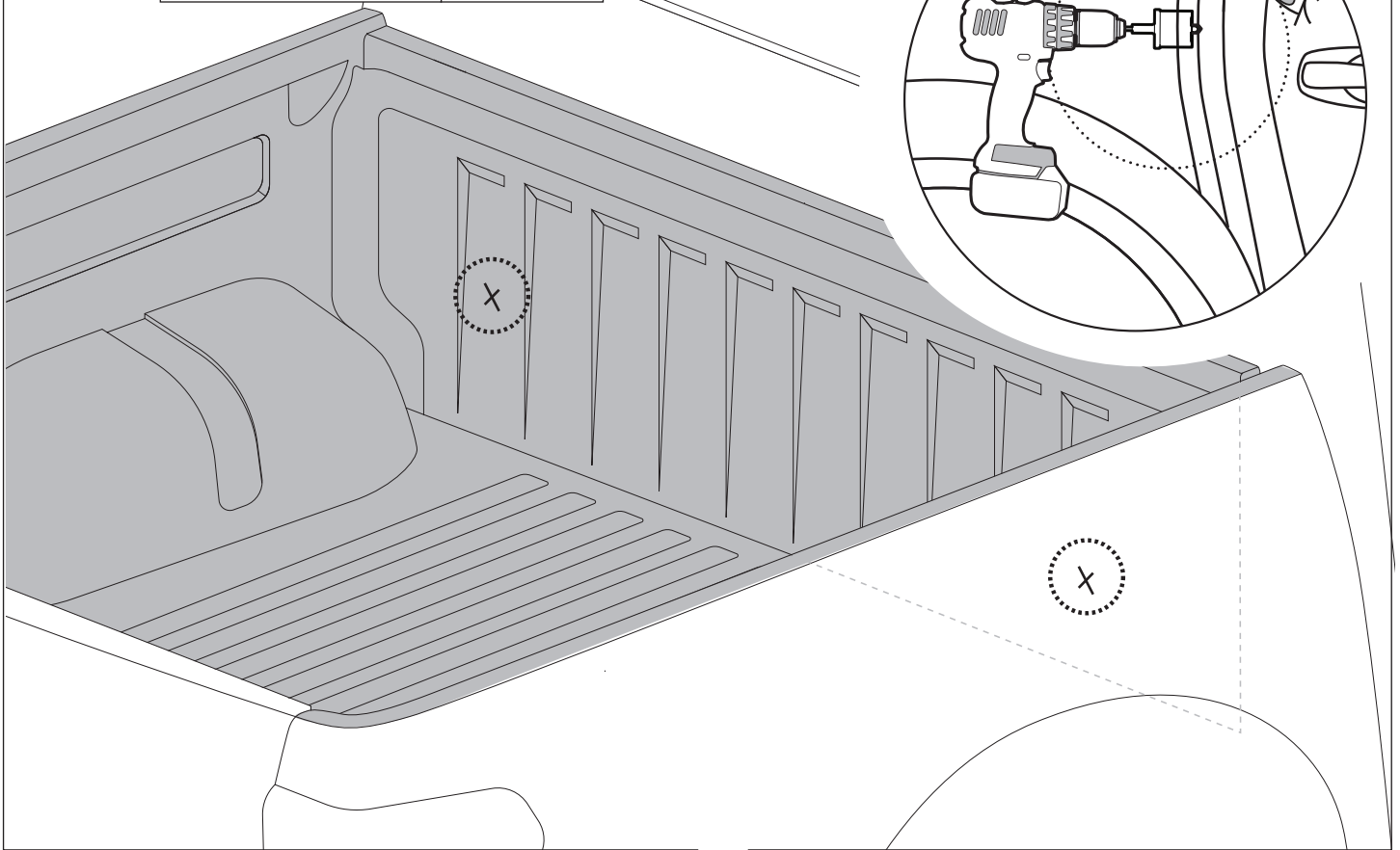
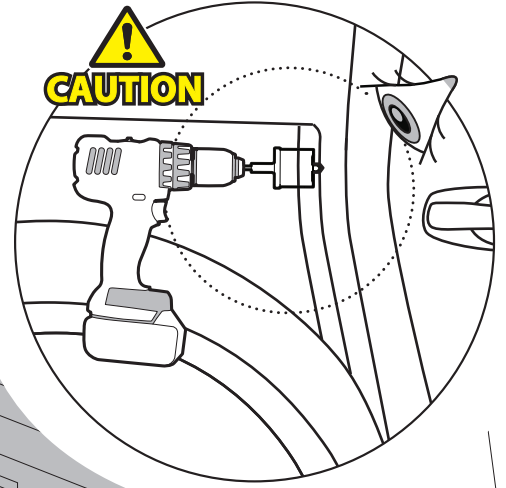


9

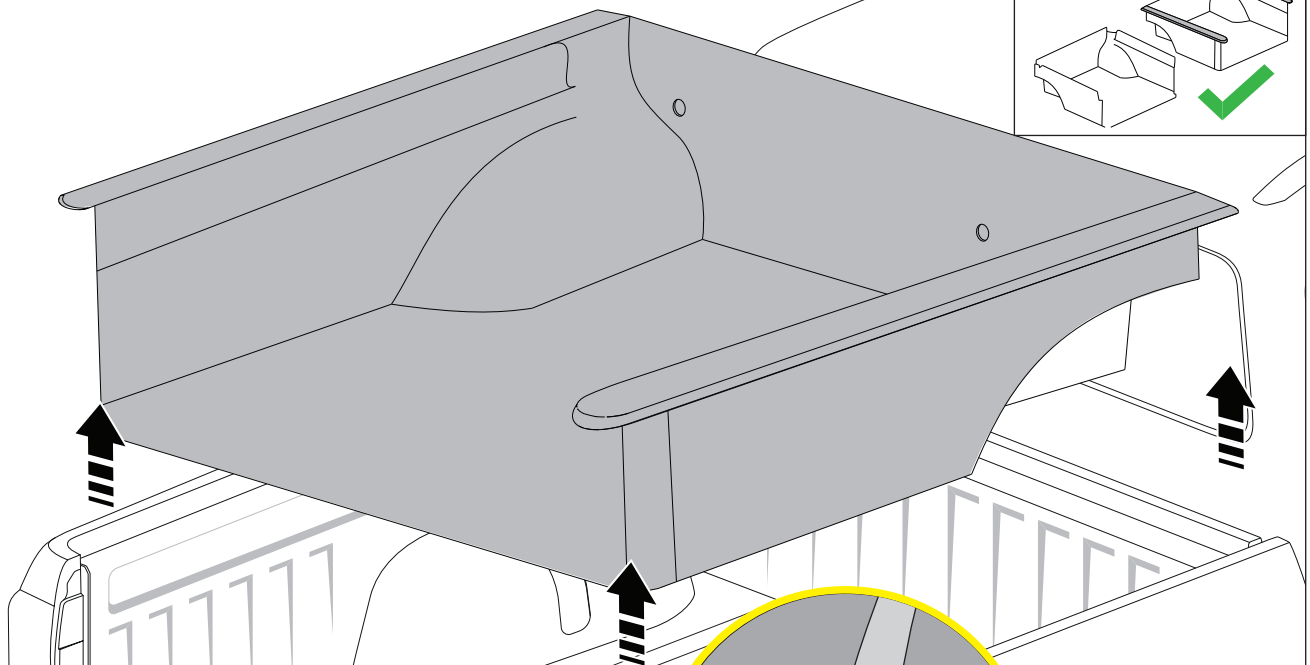
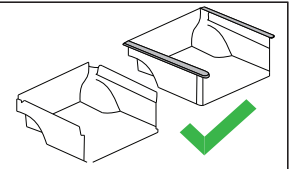


Ø 40 mm

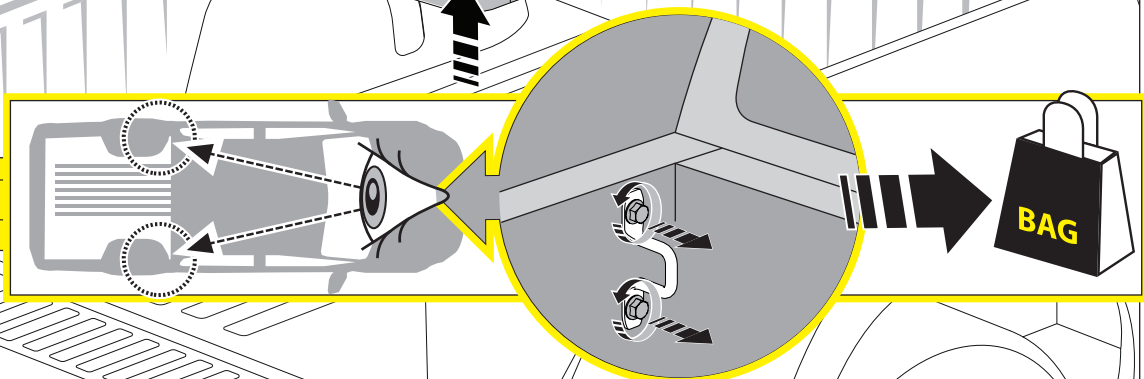
CAUTION

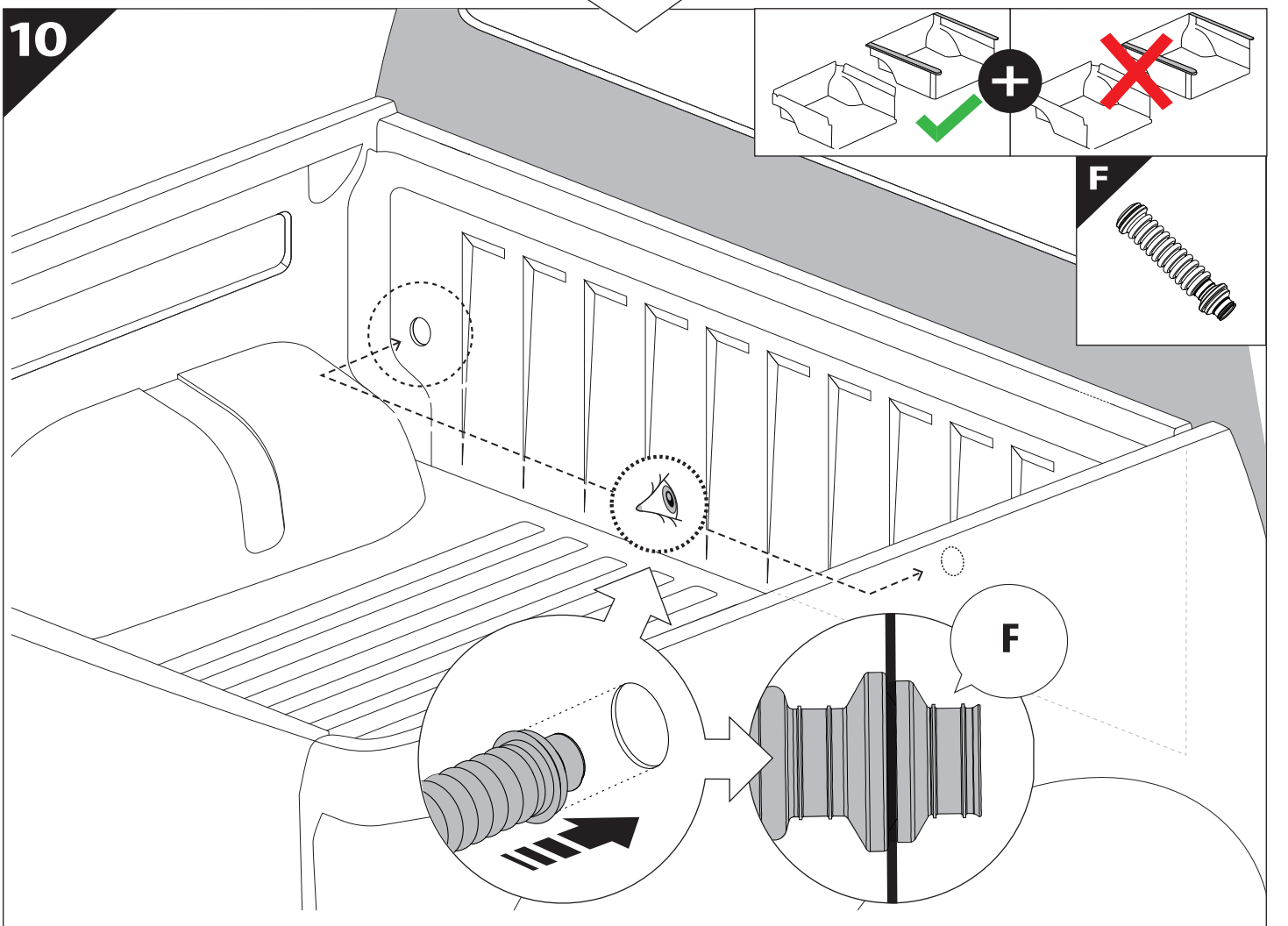
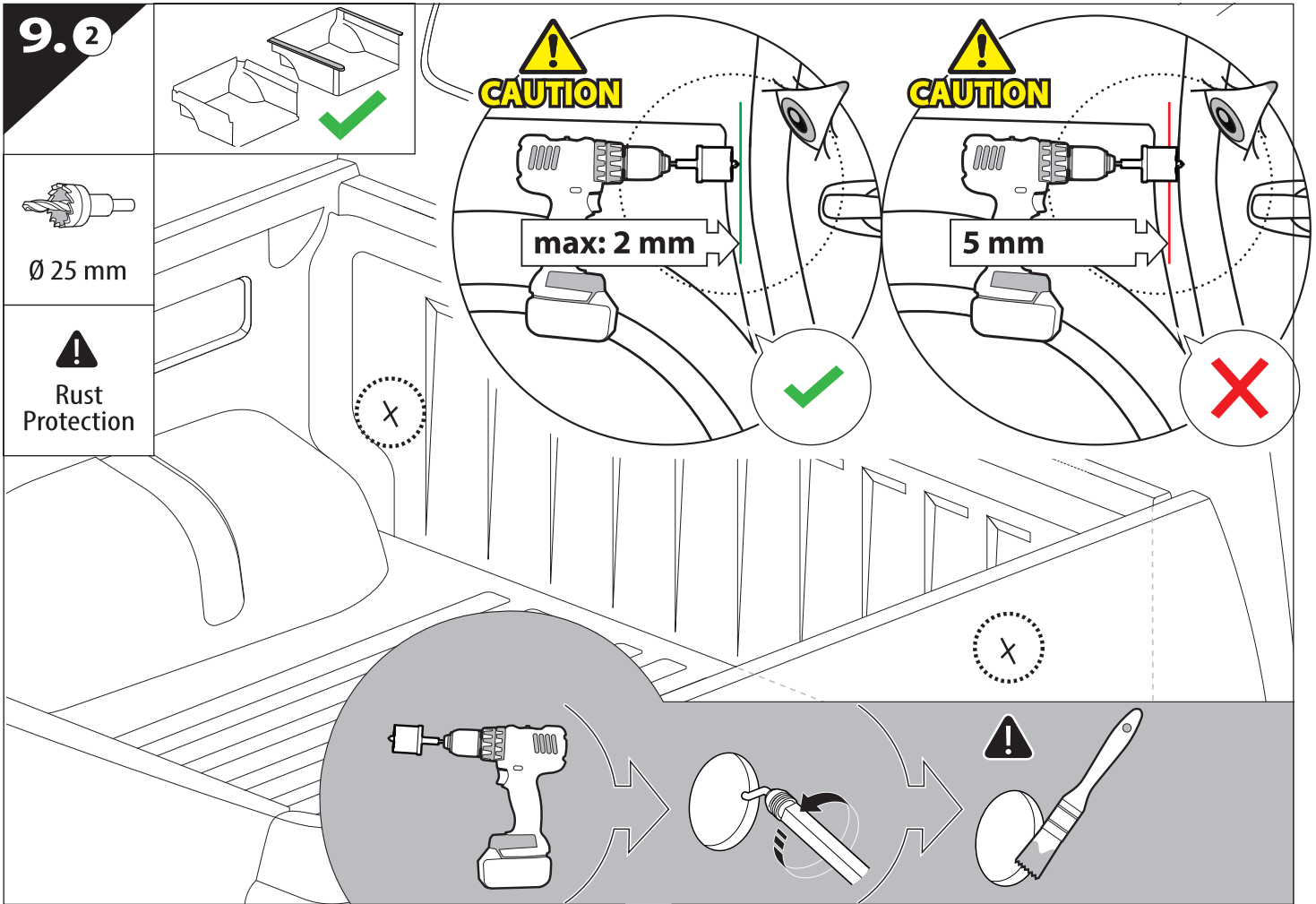


9.0

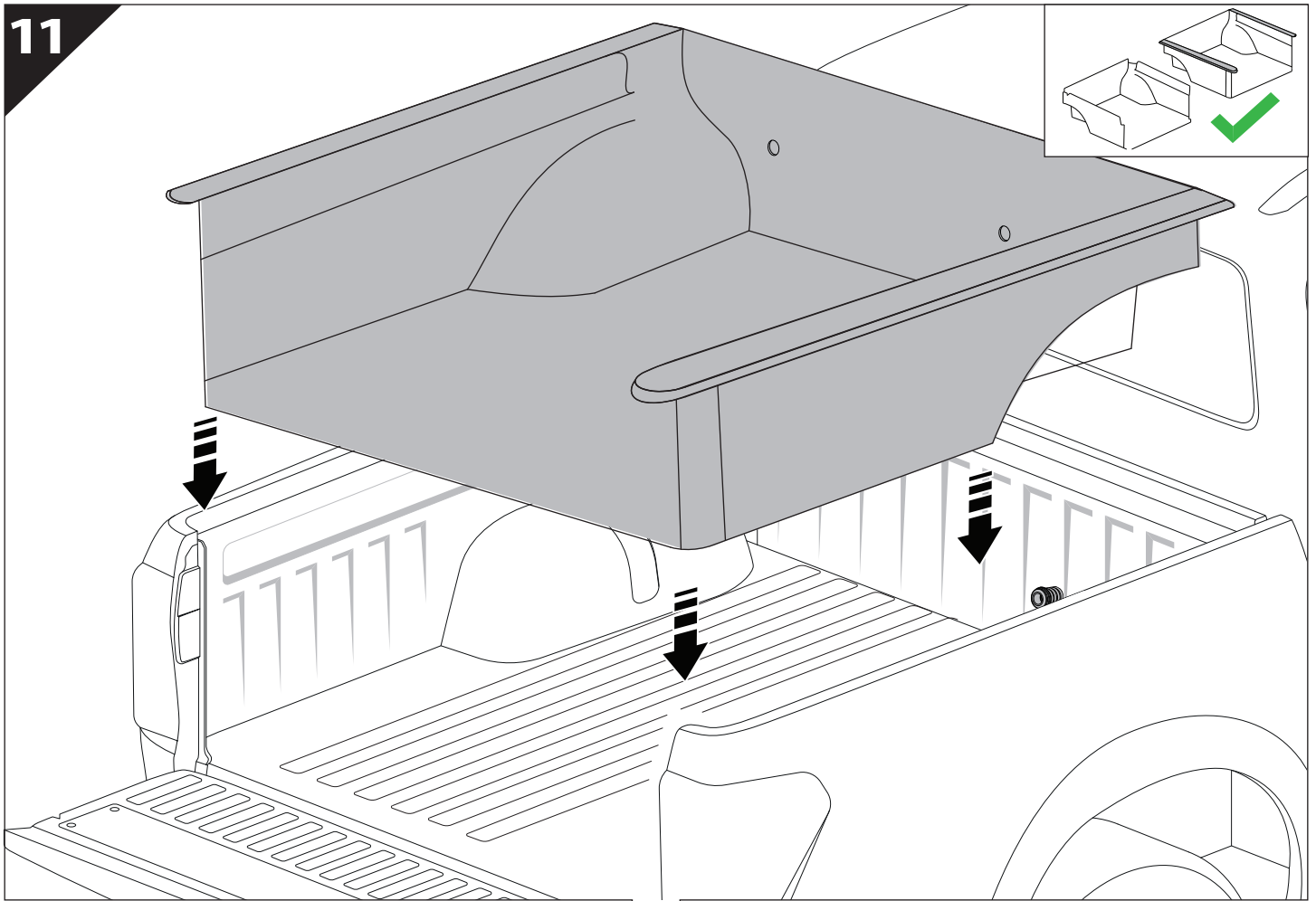


KEEP IN SAFE PLACE

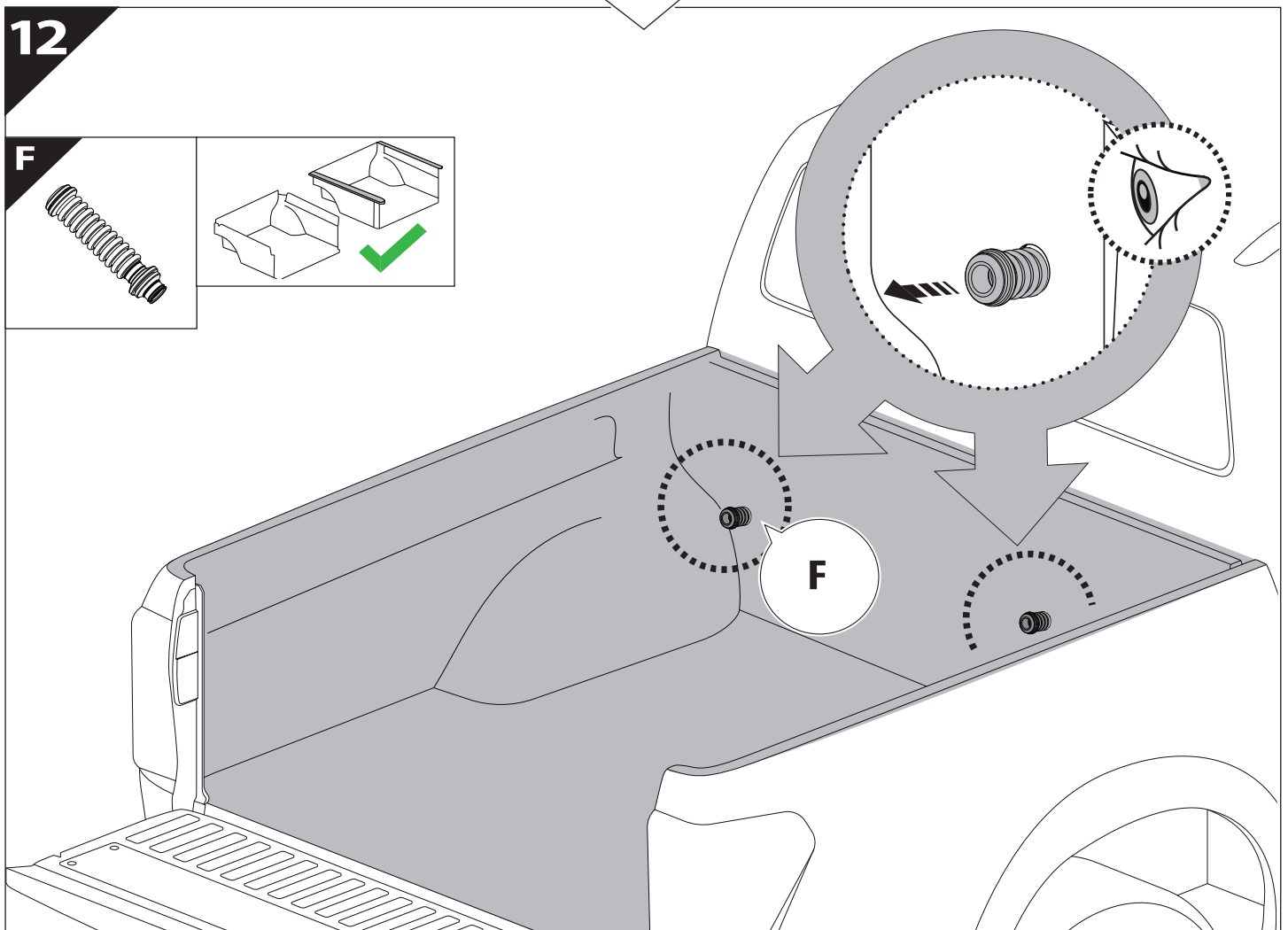




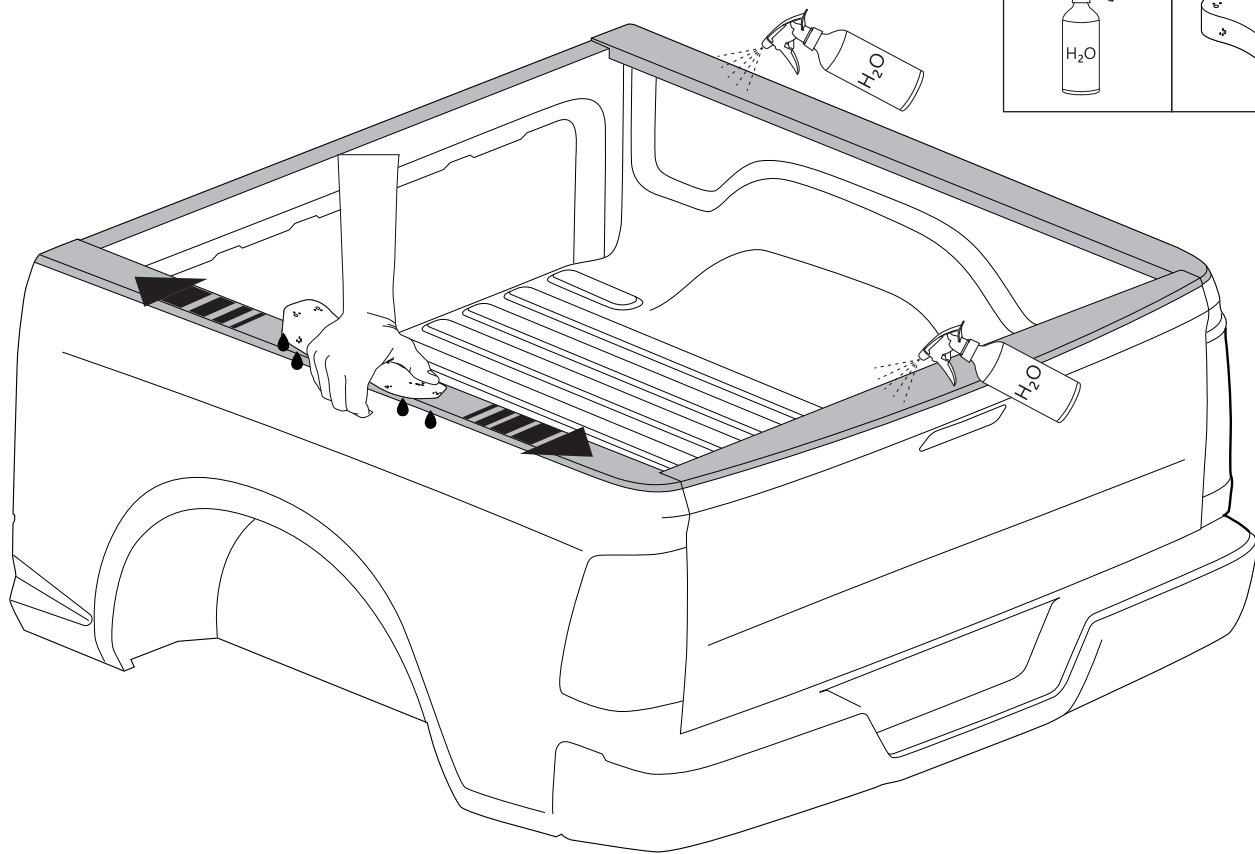
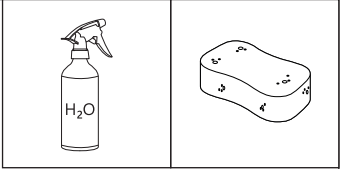
11



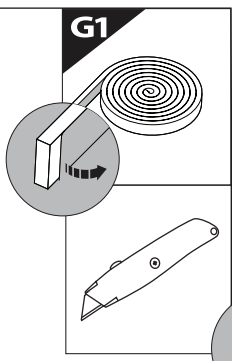
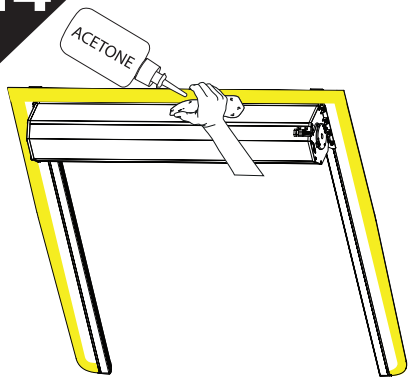
12



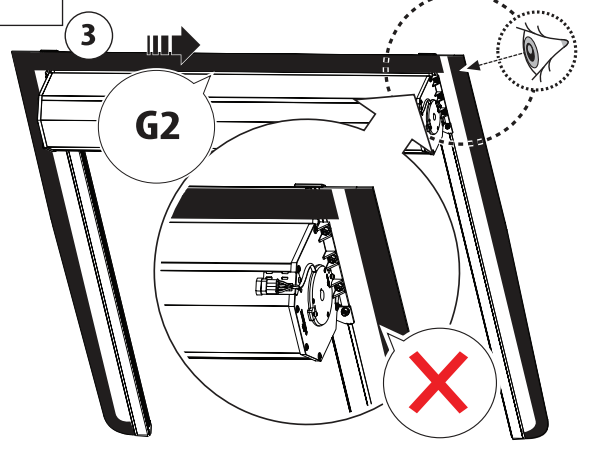
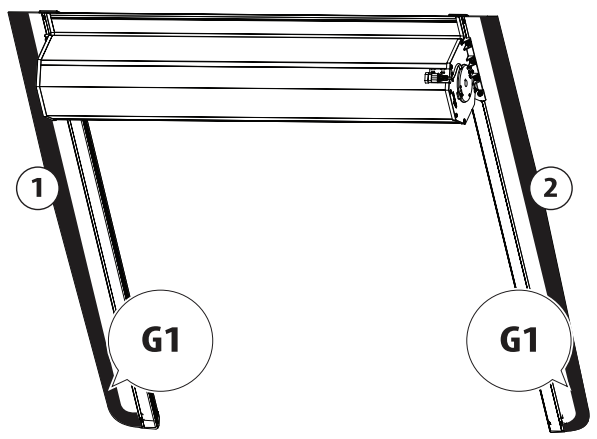
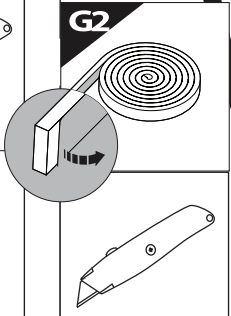
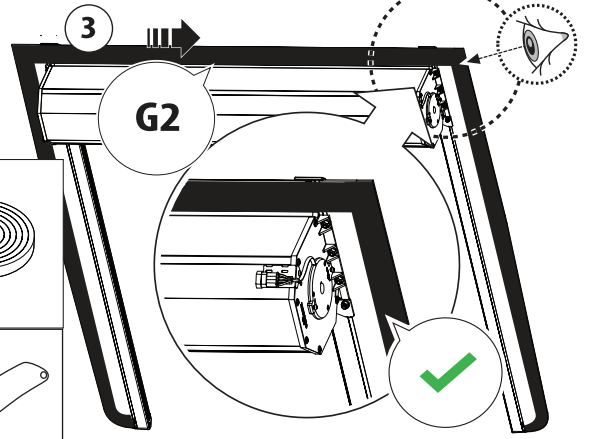
13

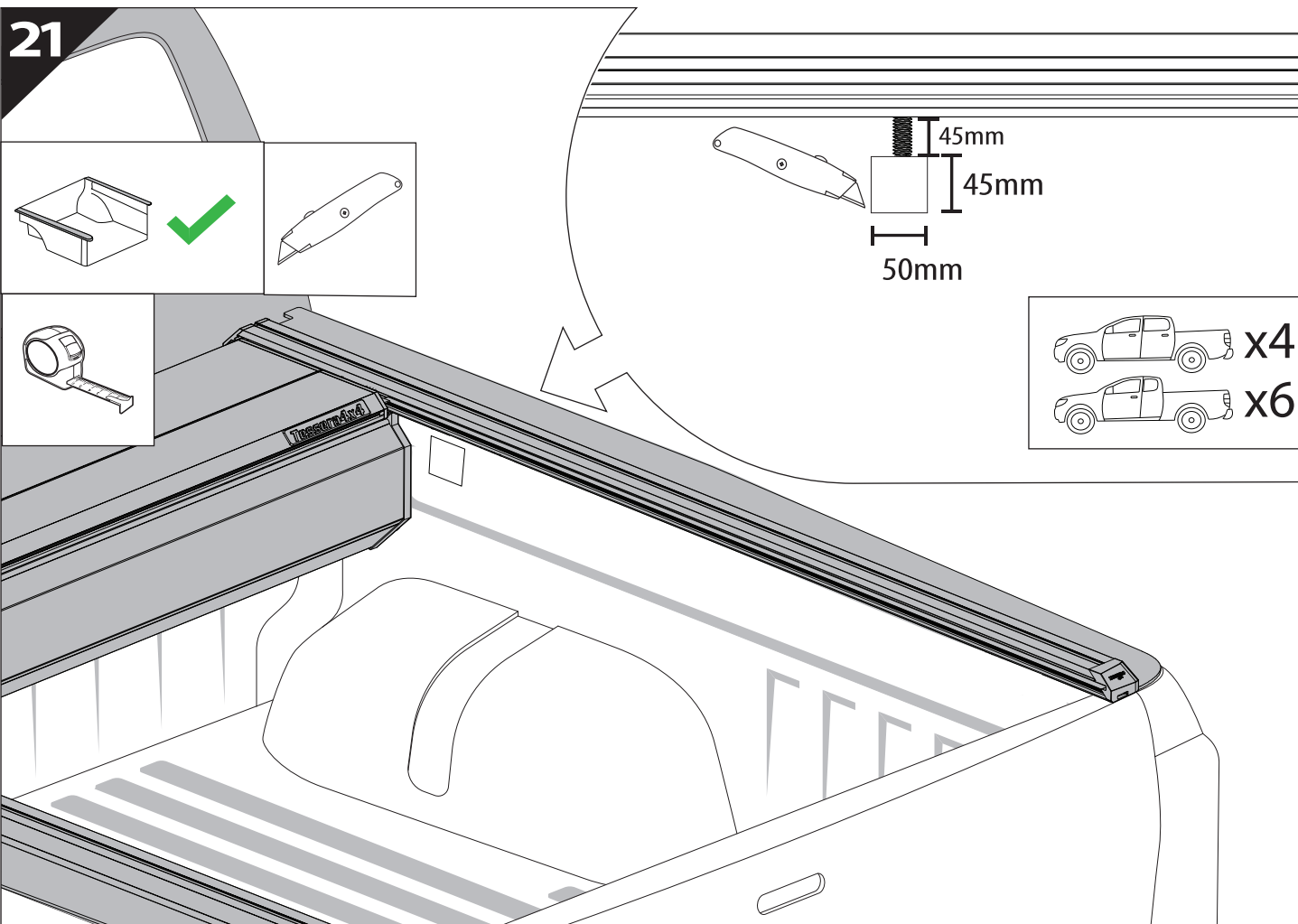
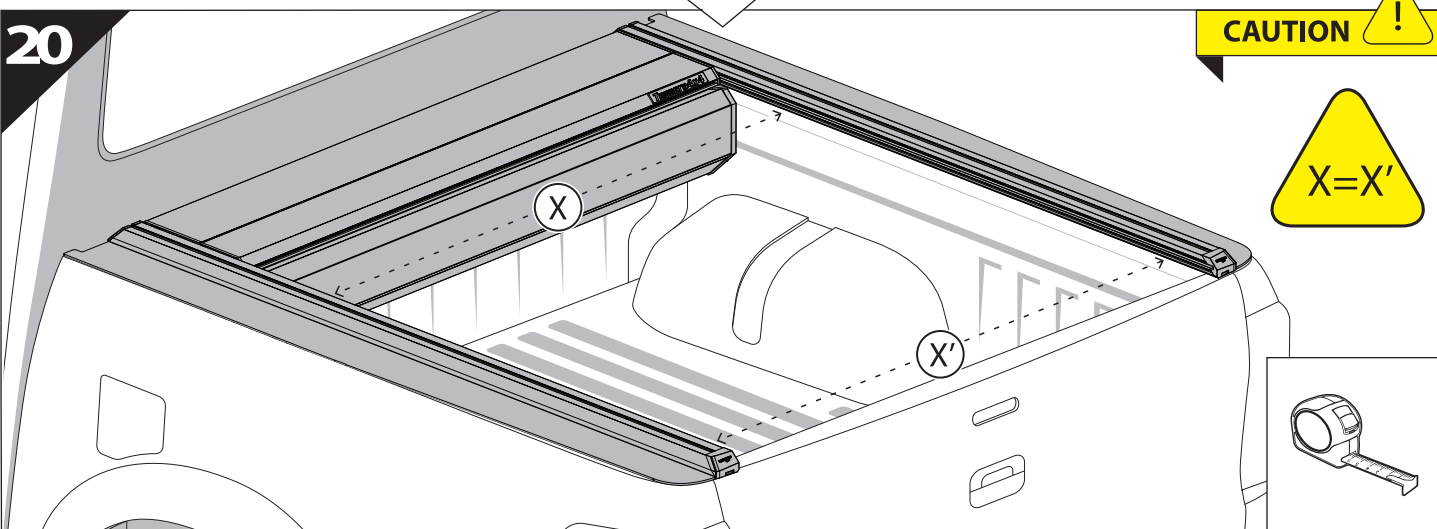
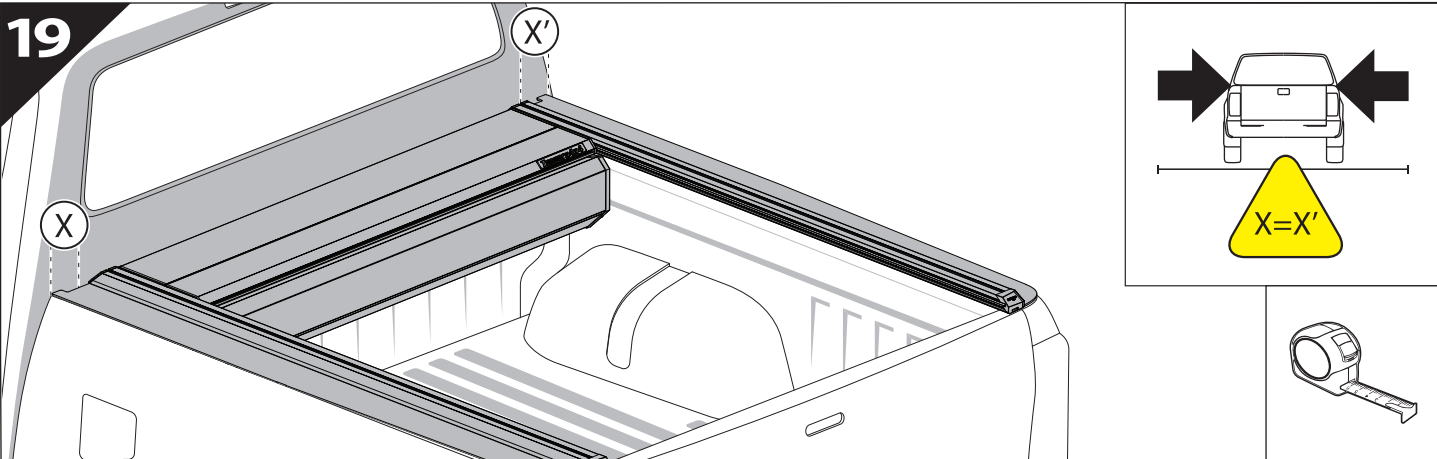


14



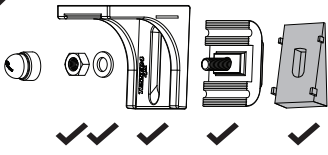
15



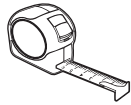
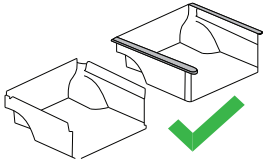
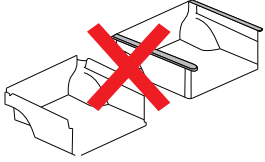
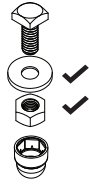


22

H



E



3 mm

CAUTION !

9 mm

85 mm

95 mm



3 mm

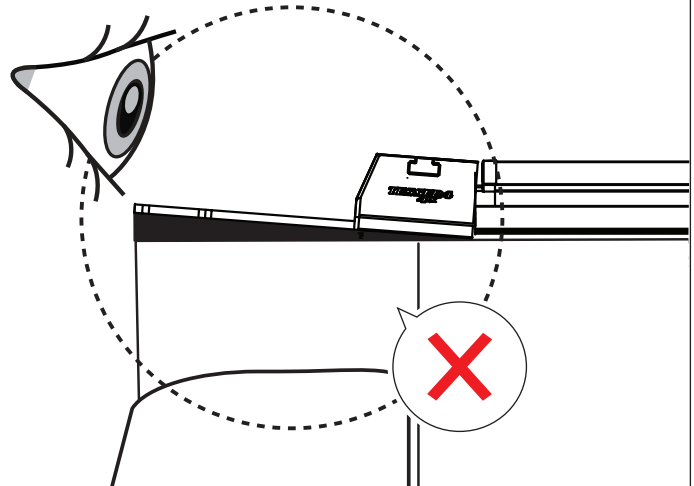
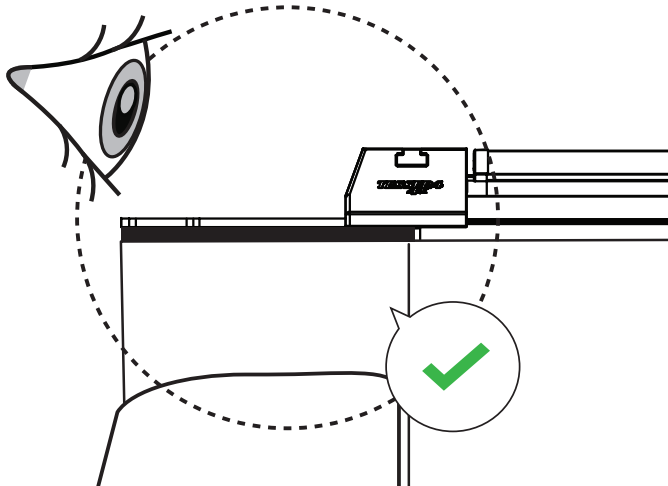
CAUTION !

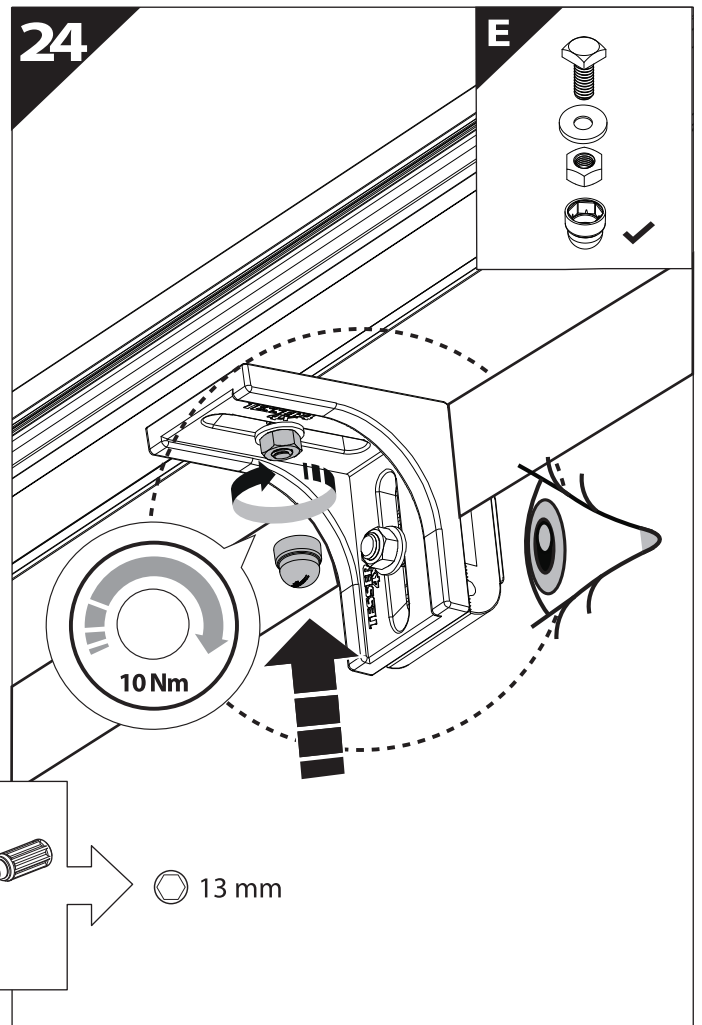
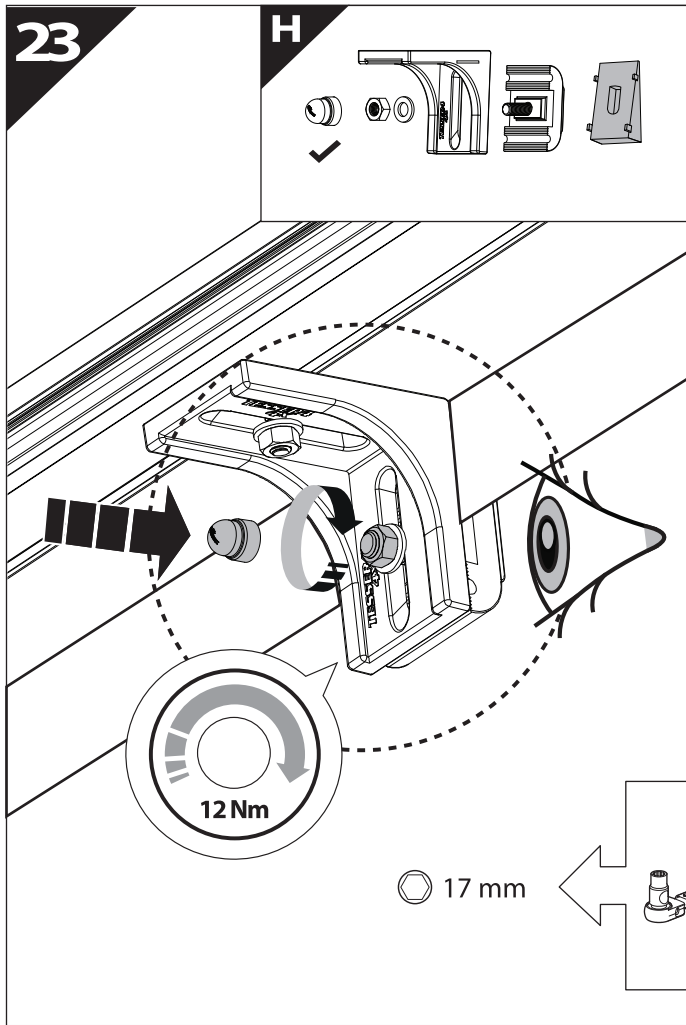
9 mm

or

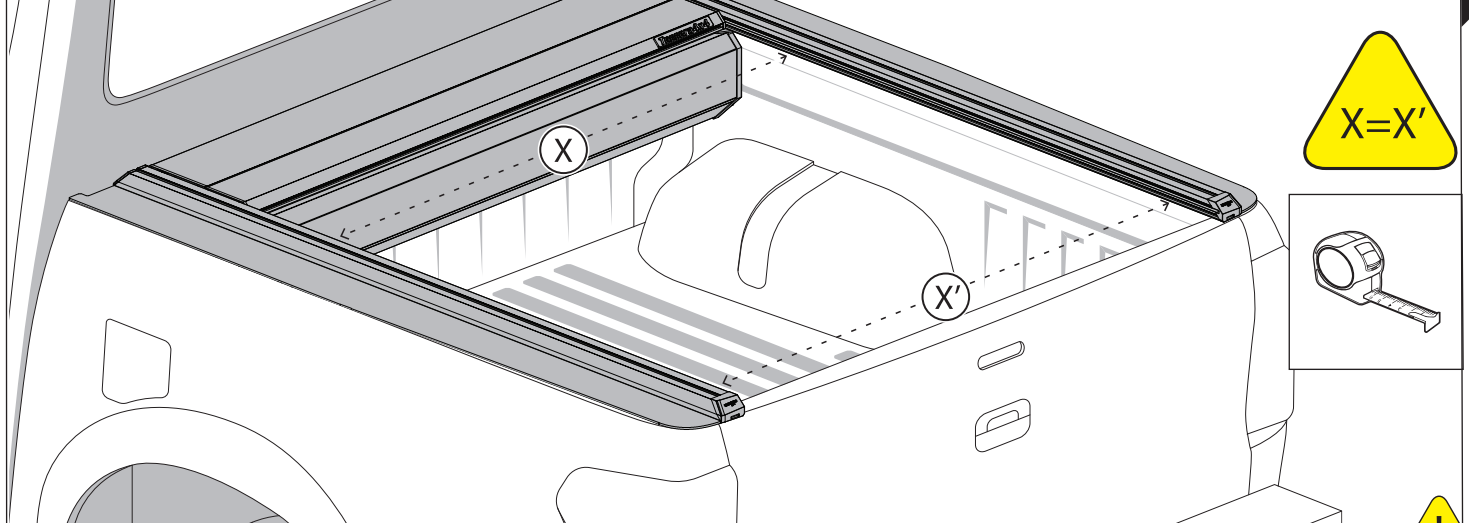
or

CAUTION !

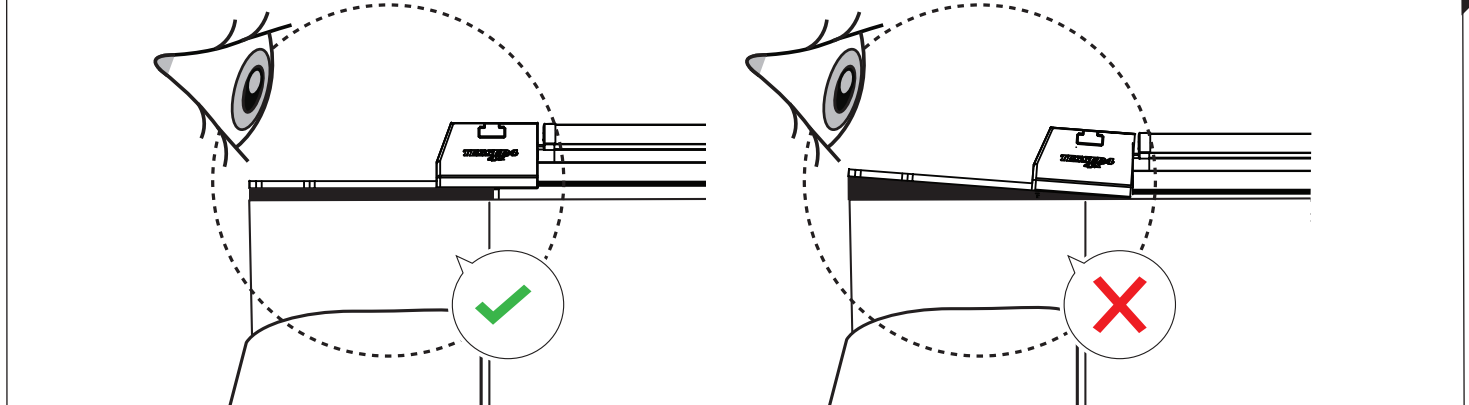




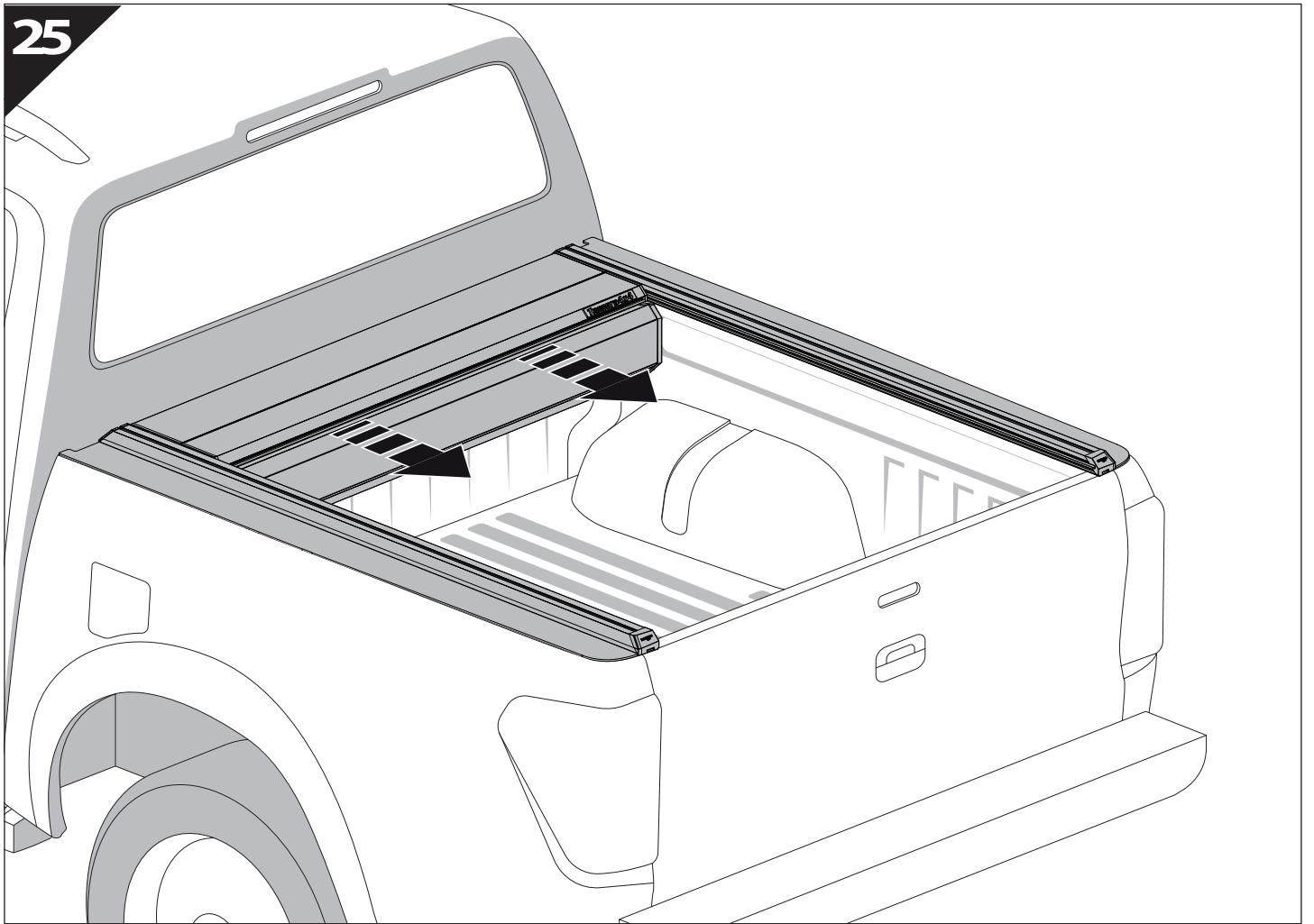
CAUTION !



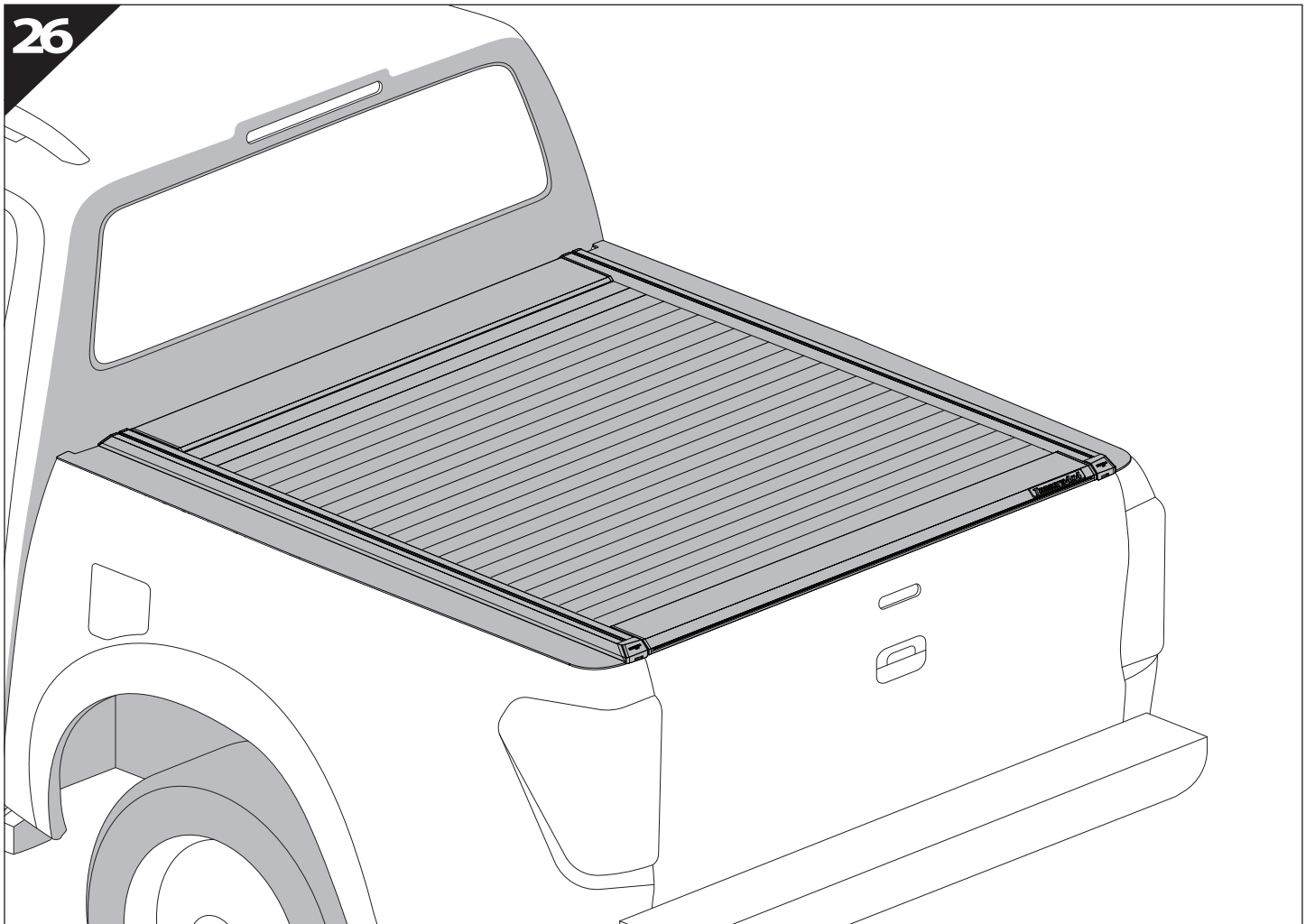
CAUTION !



25



26





GR: Οδηγίες Εγκατάστασης
GB: Installation manual
SF: Asennusohje
F: Notice de montage
PL: Instrukcja montażu
NL: Installatie-instructies
TR: Montaj Talimatı
S: Monteringsanvisning
E: Instrucciones de montaje

H: Szerelési utasítás
P: Instruções de instalação
RUS: Инструкция по установке
N: Monteringsveiledning
D: Einbauanleitung
CZ: Návod k instalaci
I: Istruzioni de montaggio
DK: Monteringsvejledning
RO: Instructiuni de instalare

Customer Service:

+30 (210) 5541161, +30 (210) 5541154 (08:00 - 16:00 EET)

Support department:

info@gianso.gr

Website:

www.tessera4x4.com

Address:

19.5 km of National road Athens-Korinthos (Elefsina) Greece, P.C: 19200