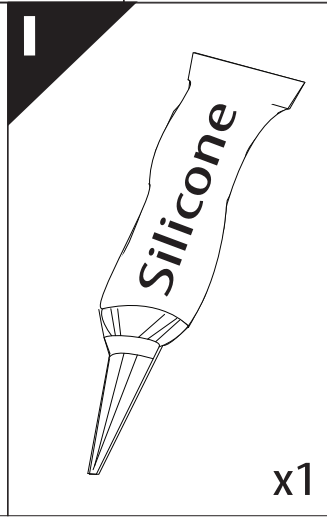
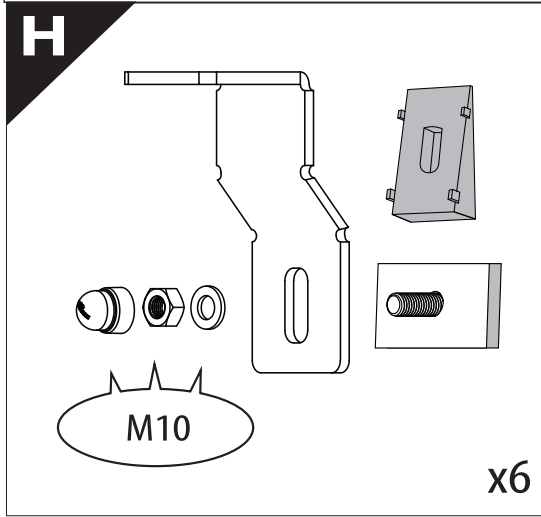
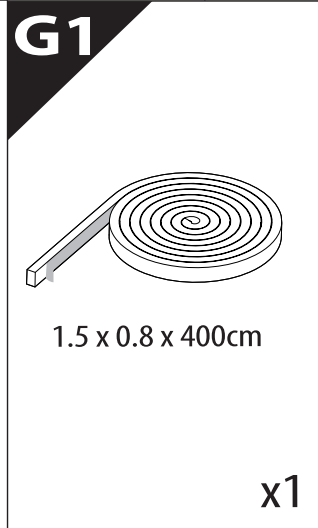
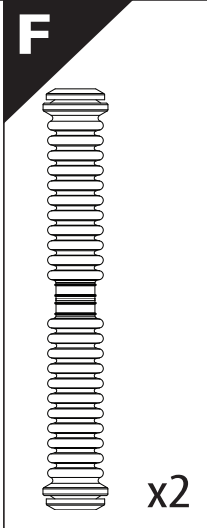
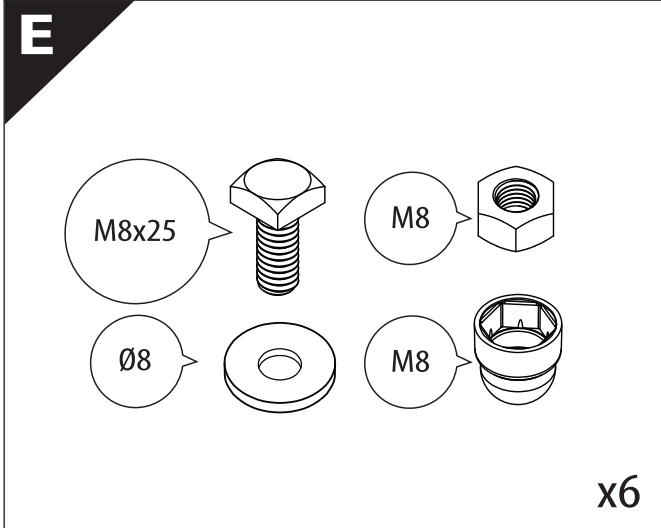
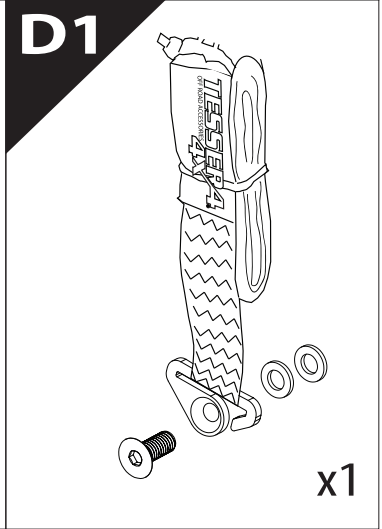
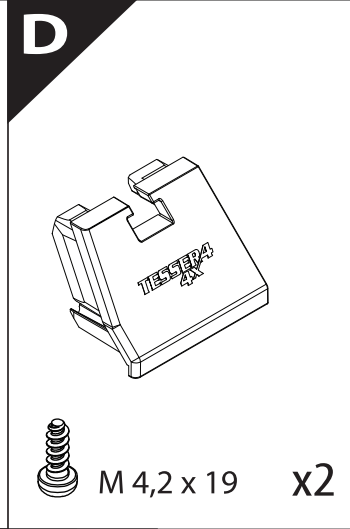
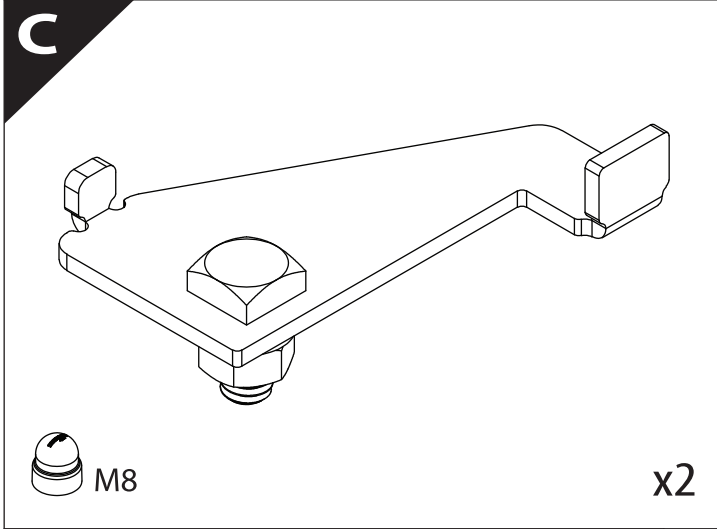
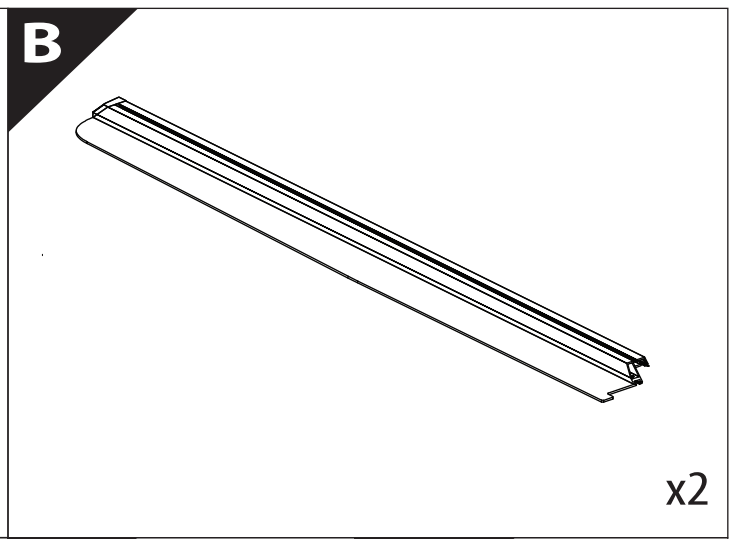
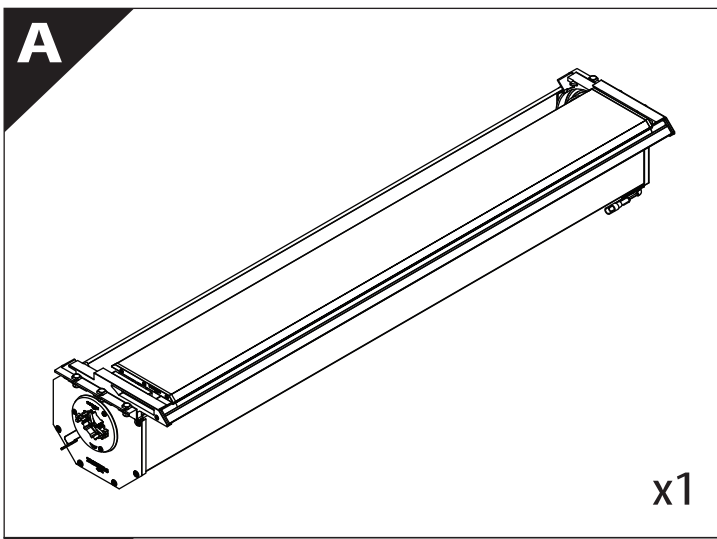
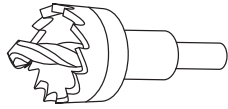




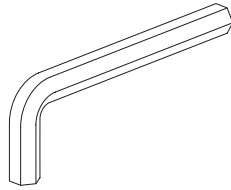
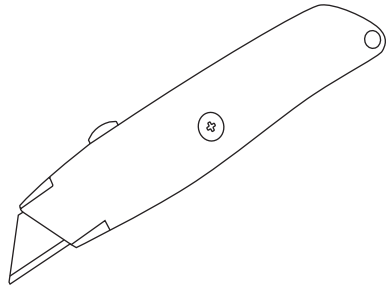
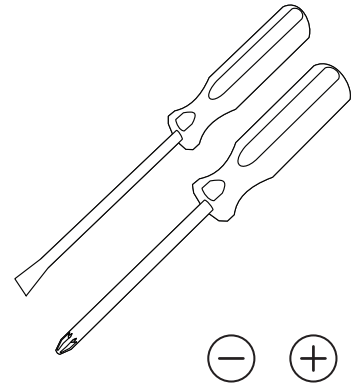
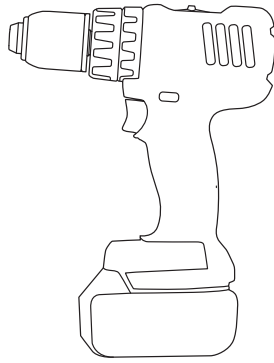
Installation Manual

PART NUMBER(S)	Model Year
TESS 1519 SE	Mercedes X-Class 2018+ (with c-channels)
Cab(s)	Installation Time / Weight
Double Cab	40-60 minutes / 53-57 kg



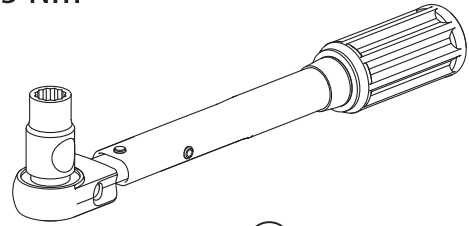


Ø 25 mm



4 mm

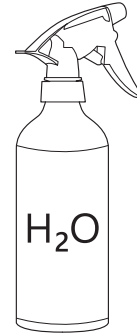
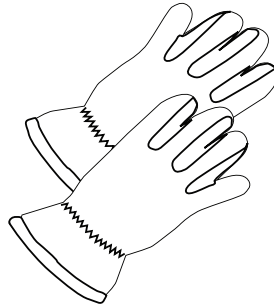
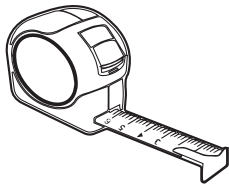
1 - 25 Nm



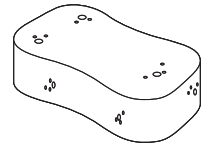
13, 17 mm



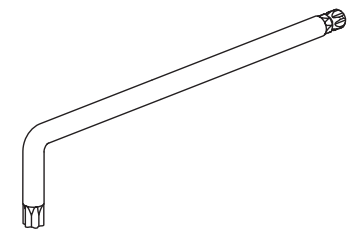
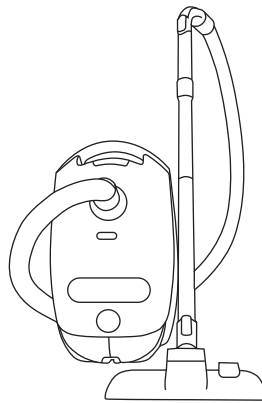
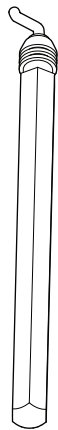
ACETONE



H₂O



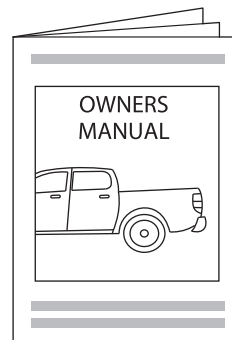
ANTI-RUST



T30, T40

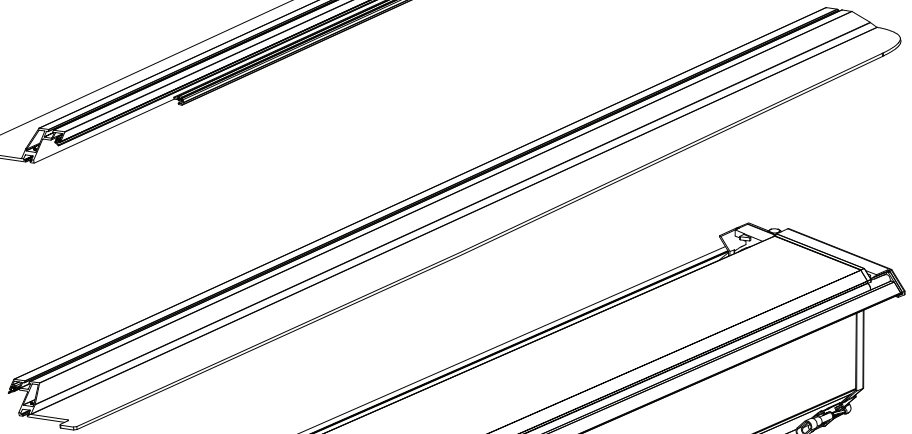
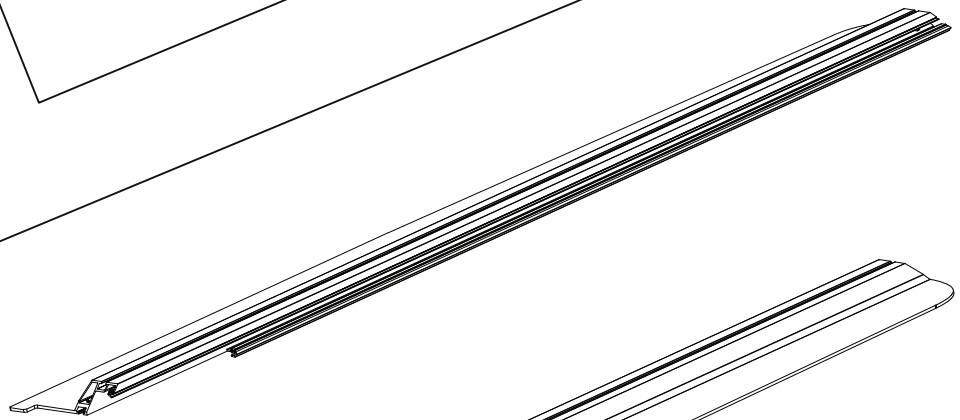
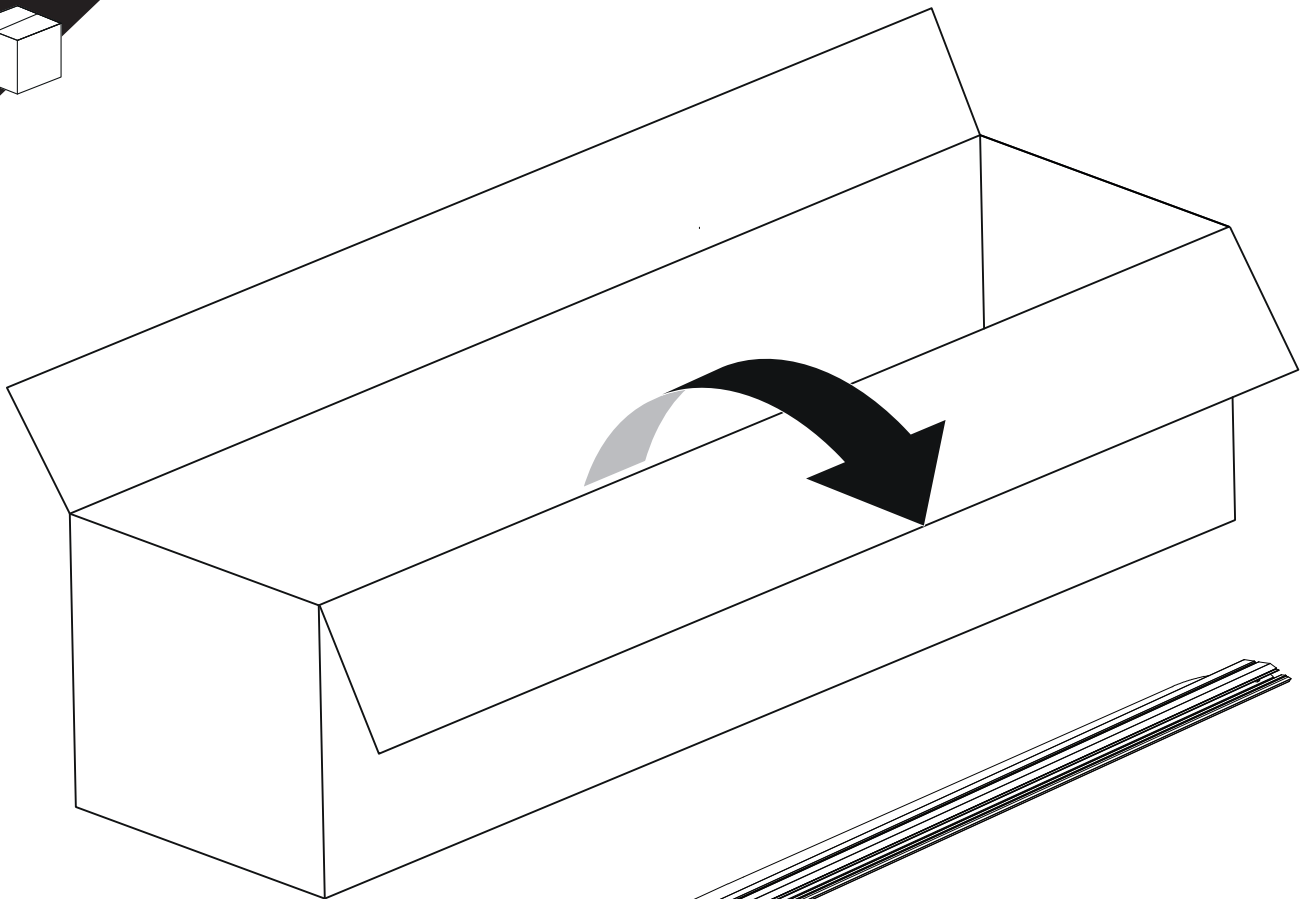


INSTALLATION
MANUAL

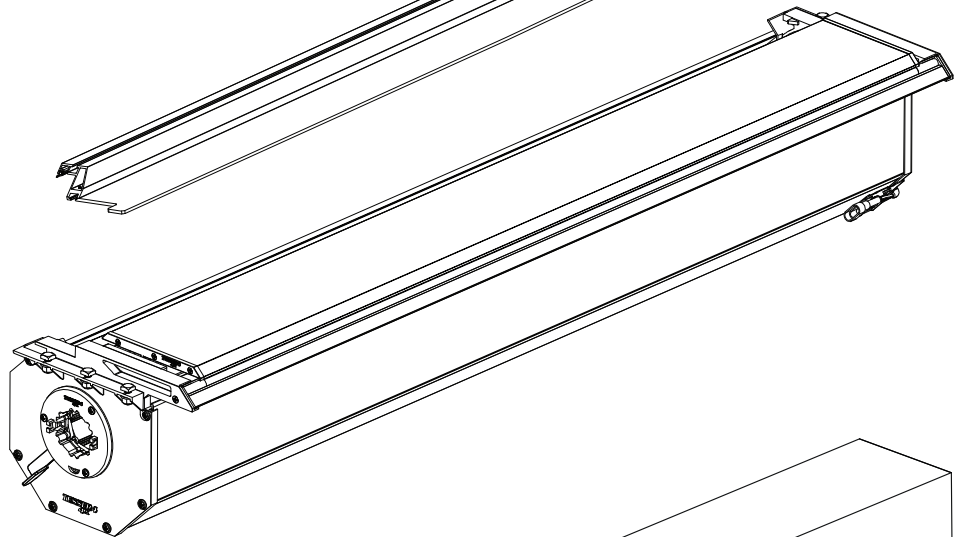


OWNERS
MANUAL

x1

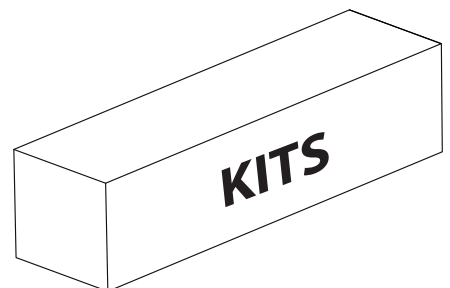


B

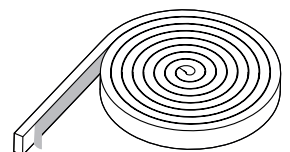


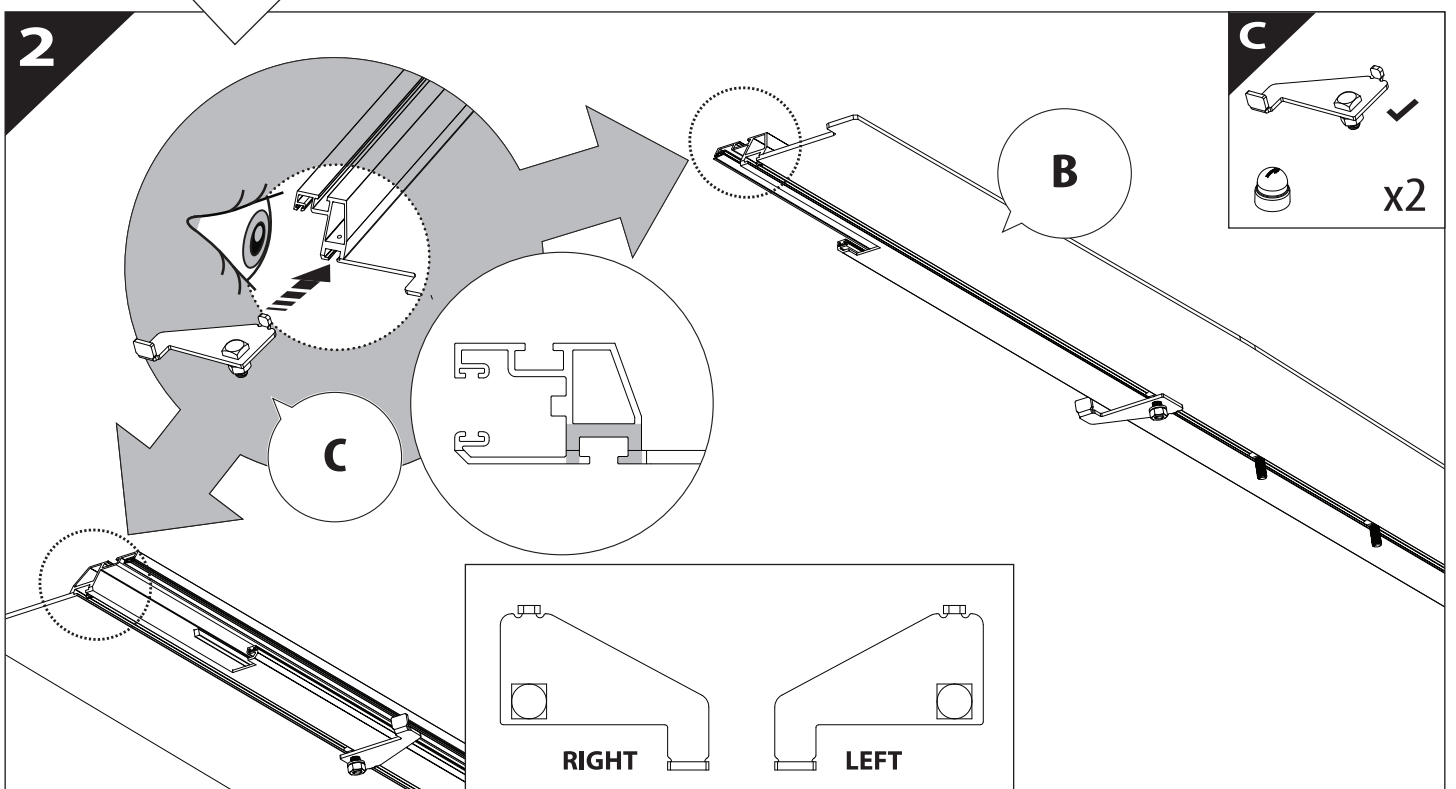
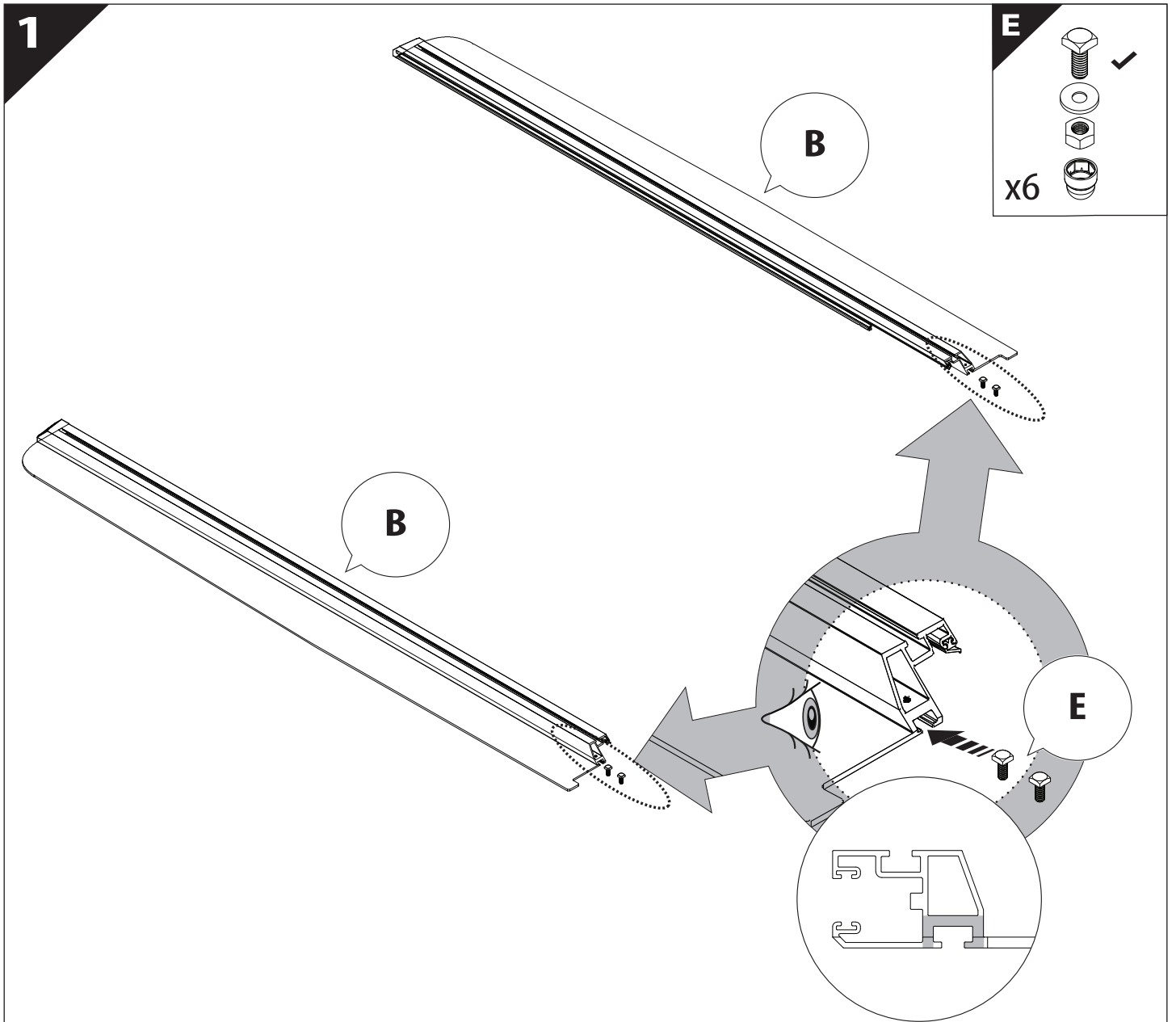
A

KITS

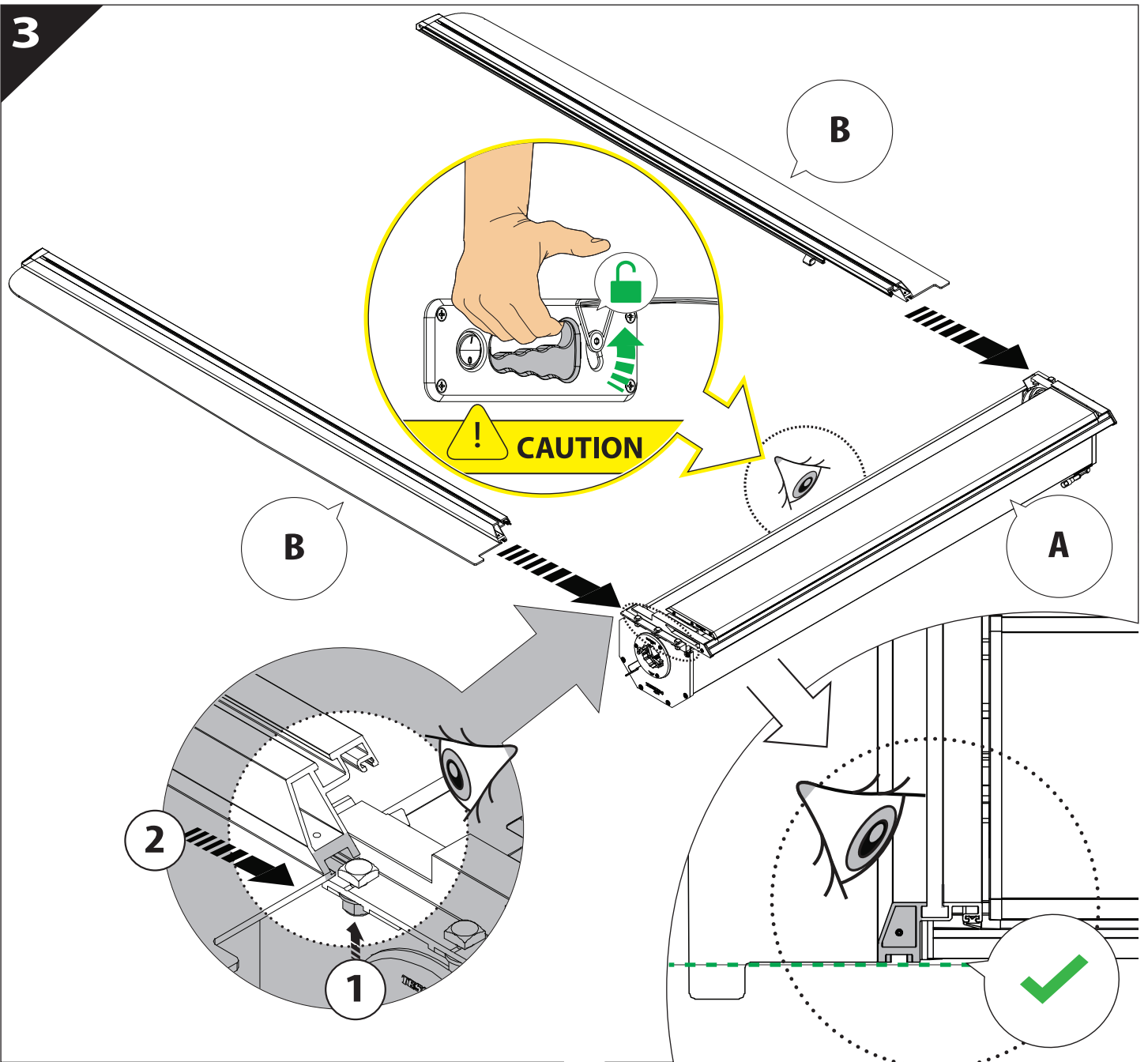


L

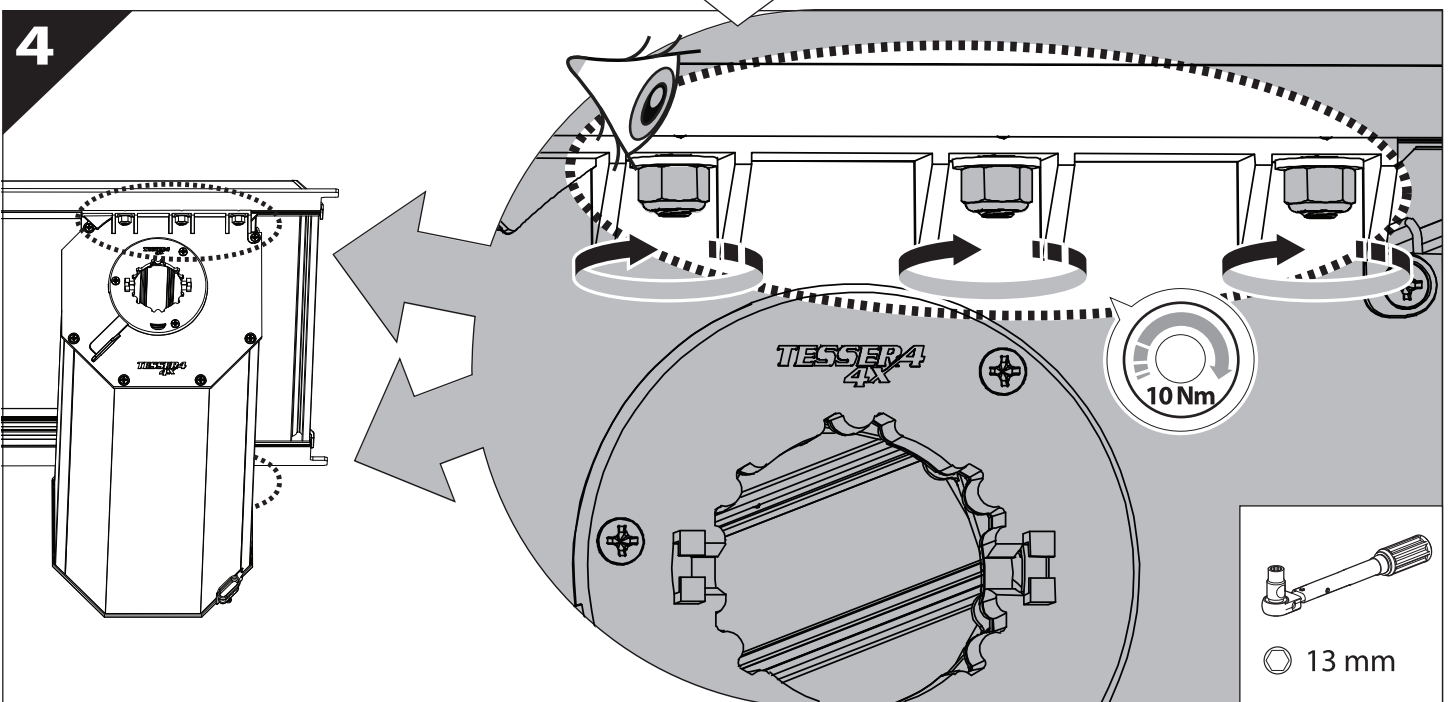


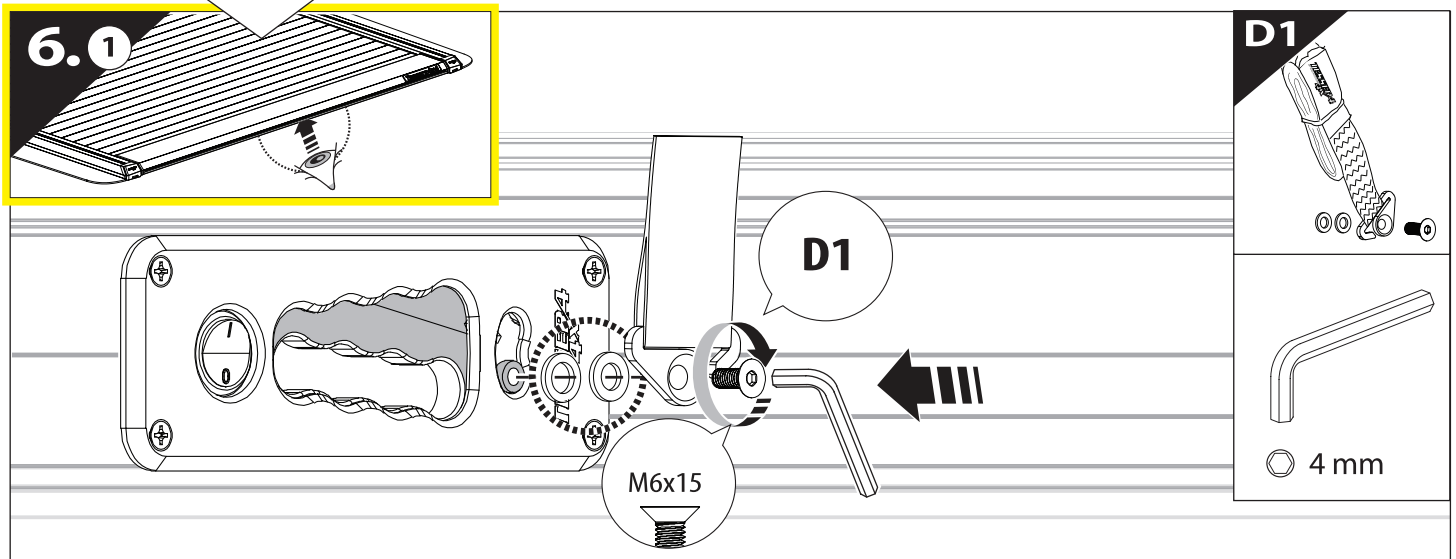
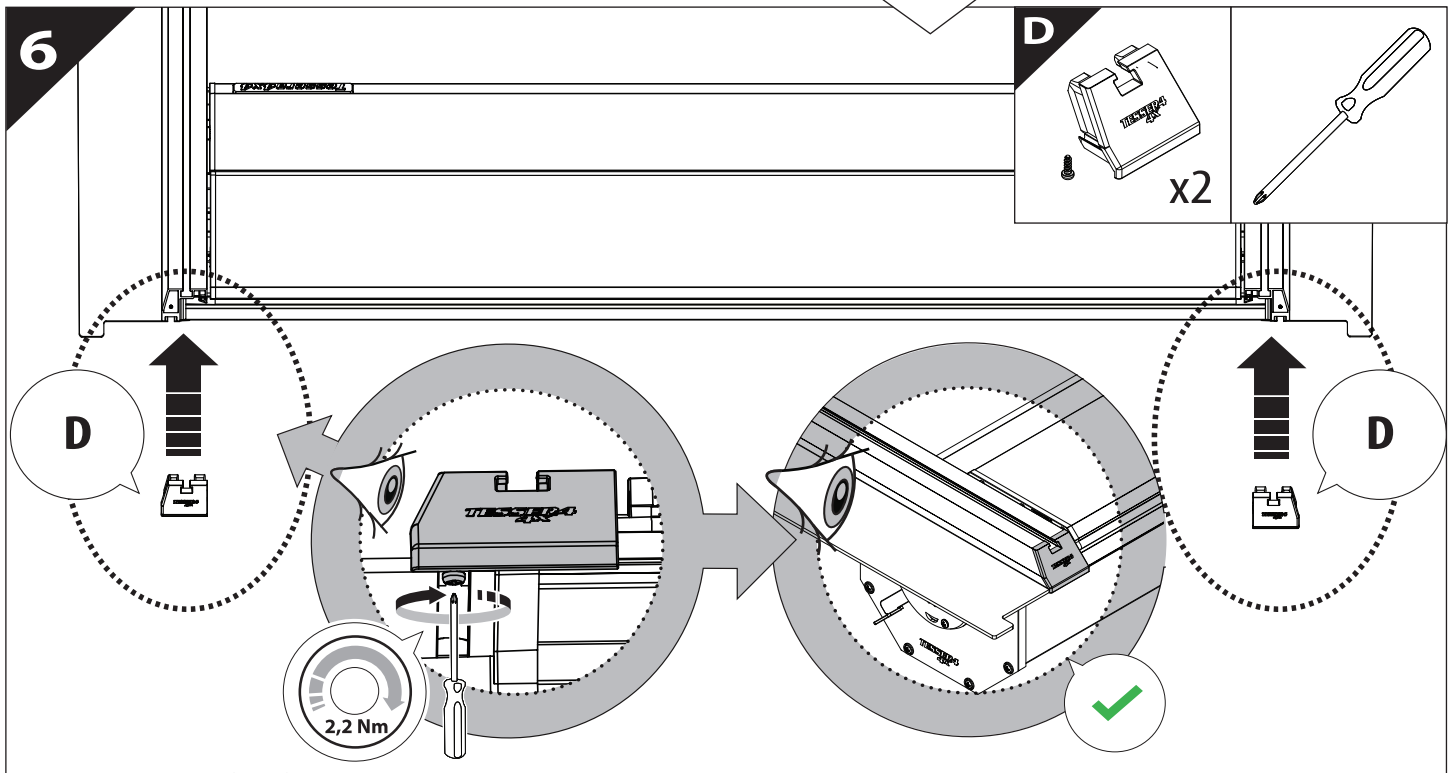
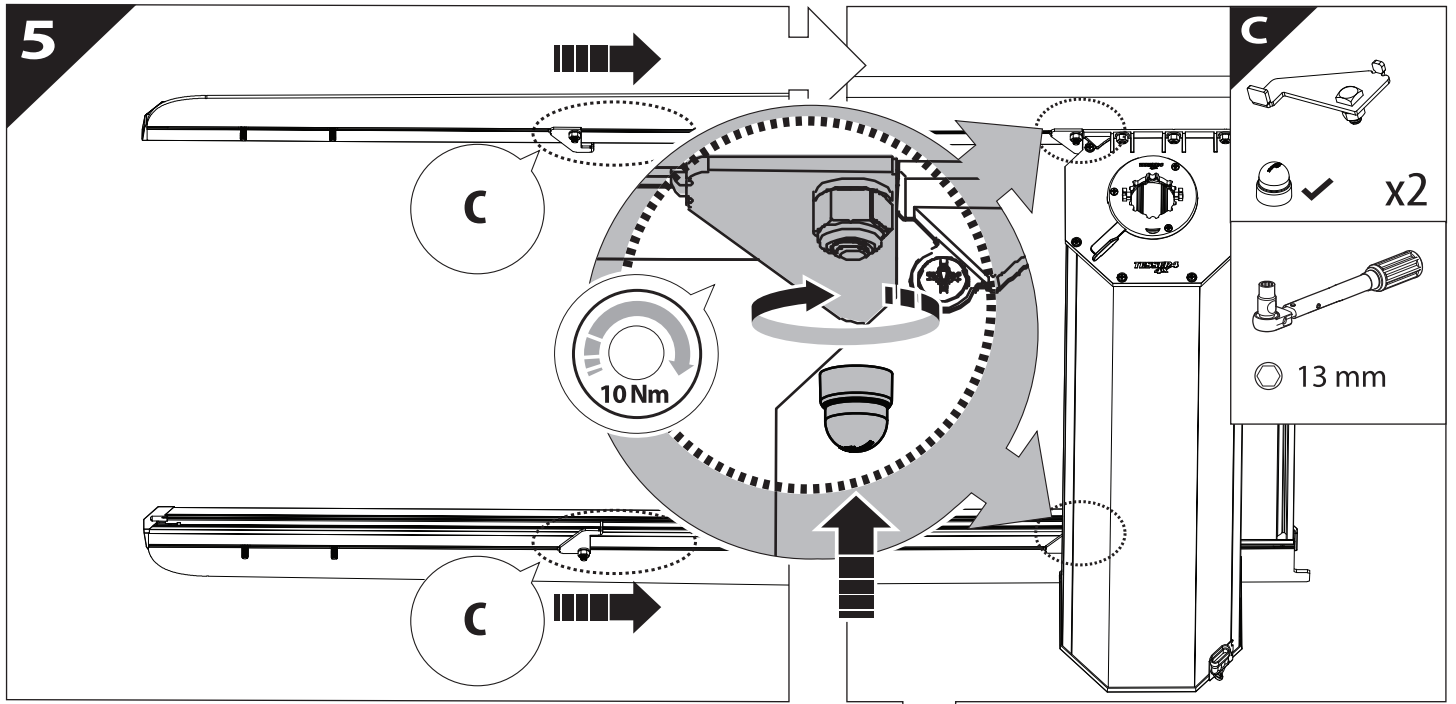


3



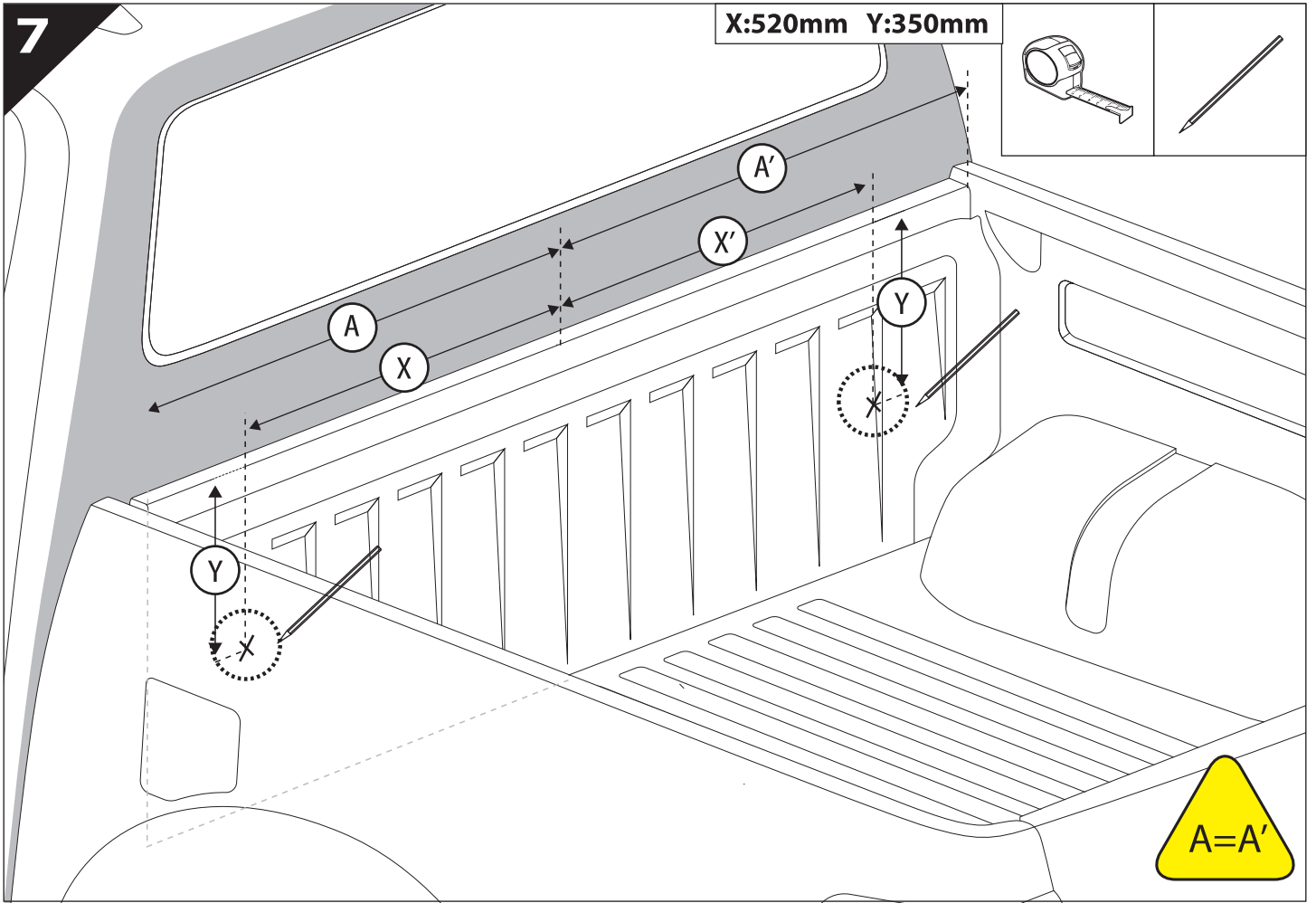
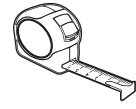
4

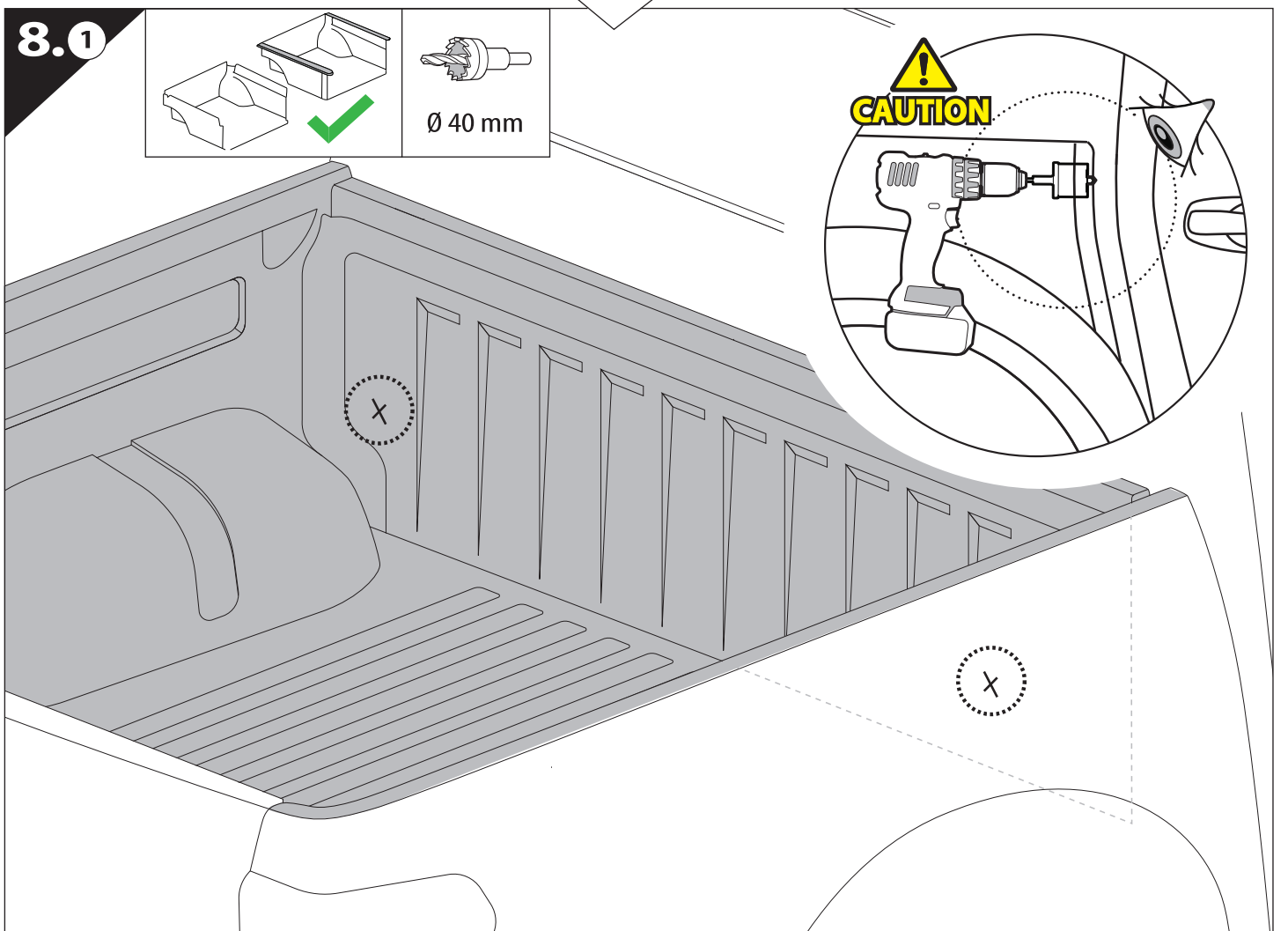
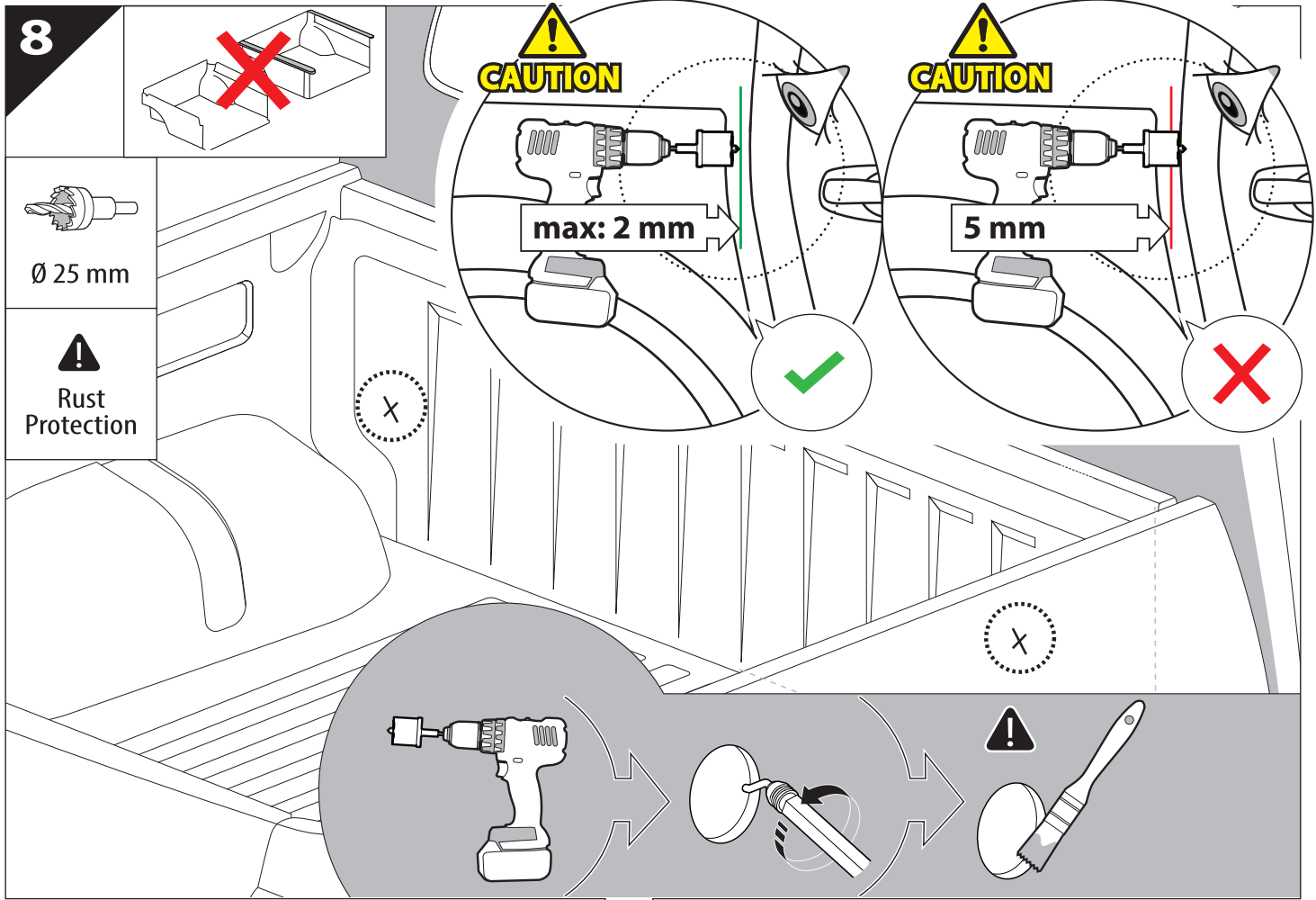




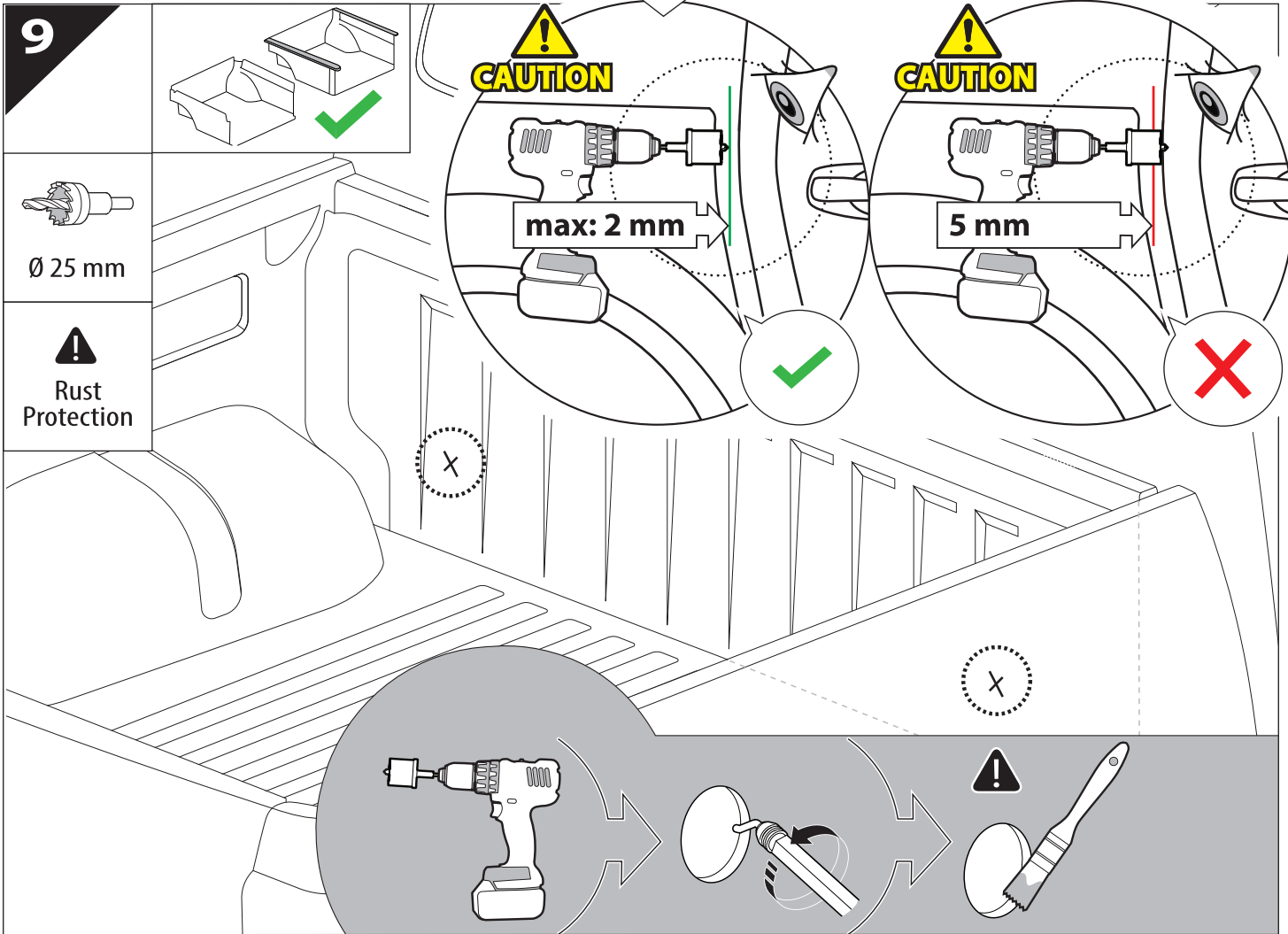
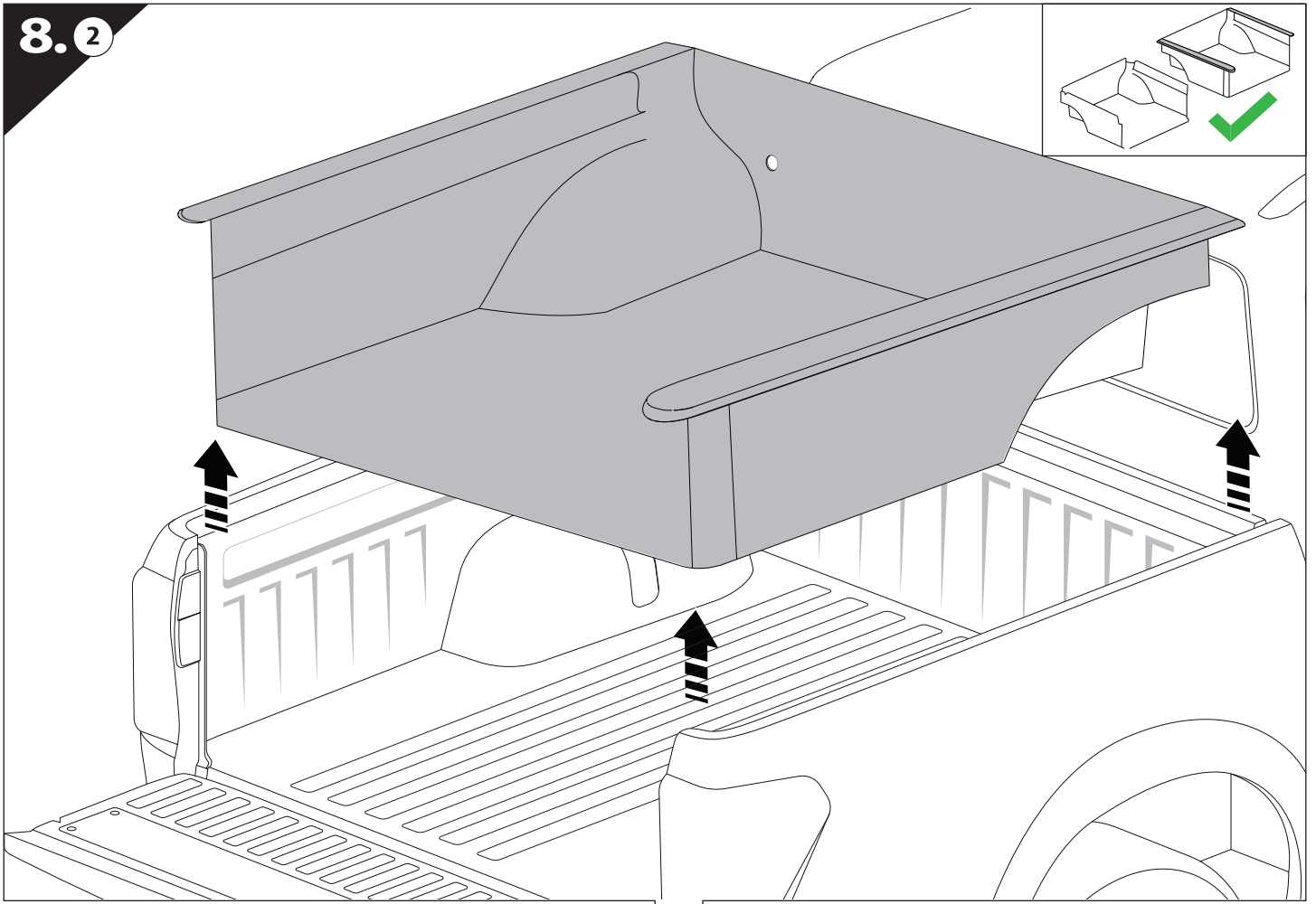
7

X:520mm Y:350mm

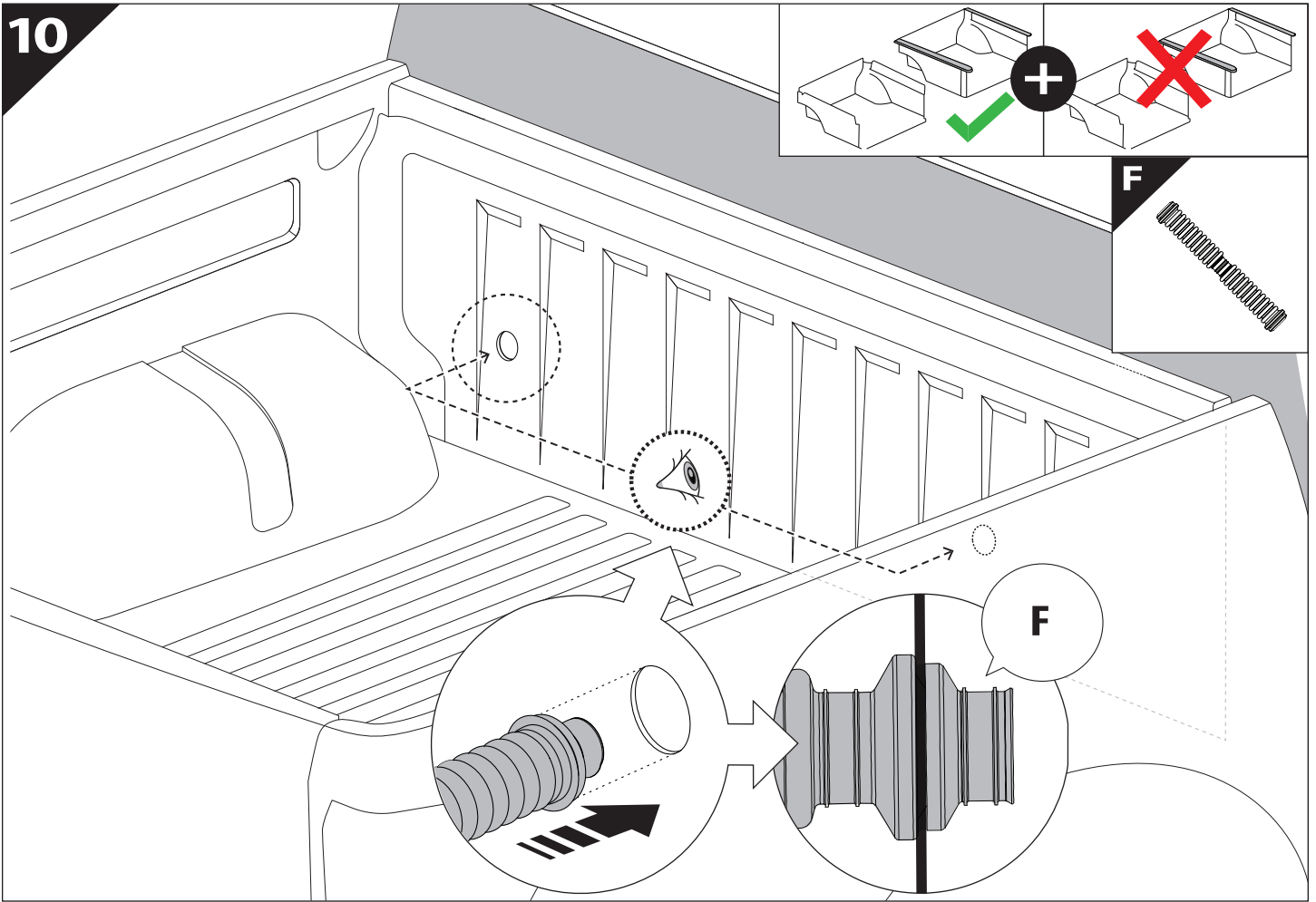




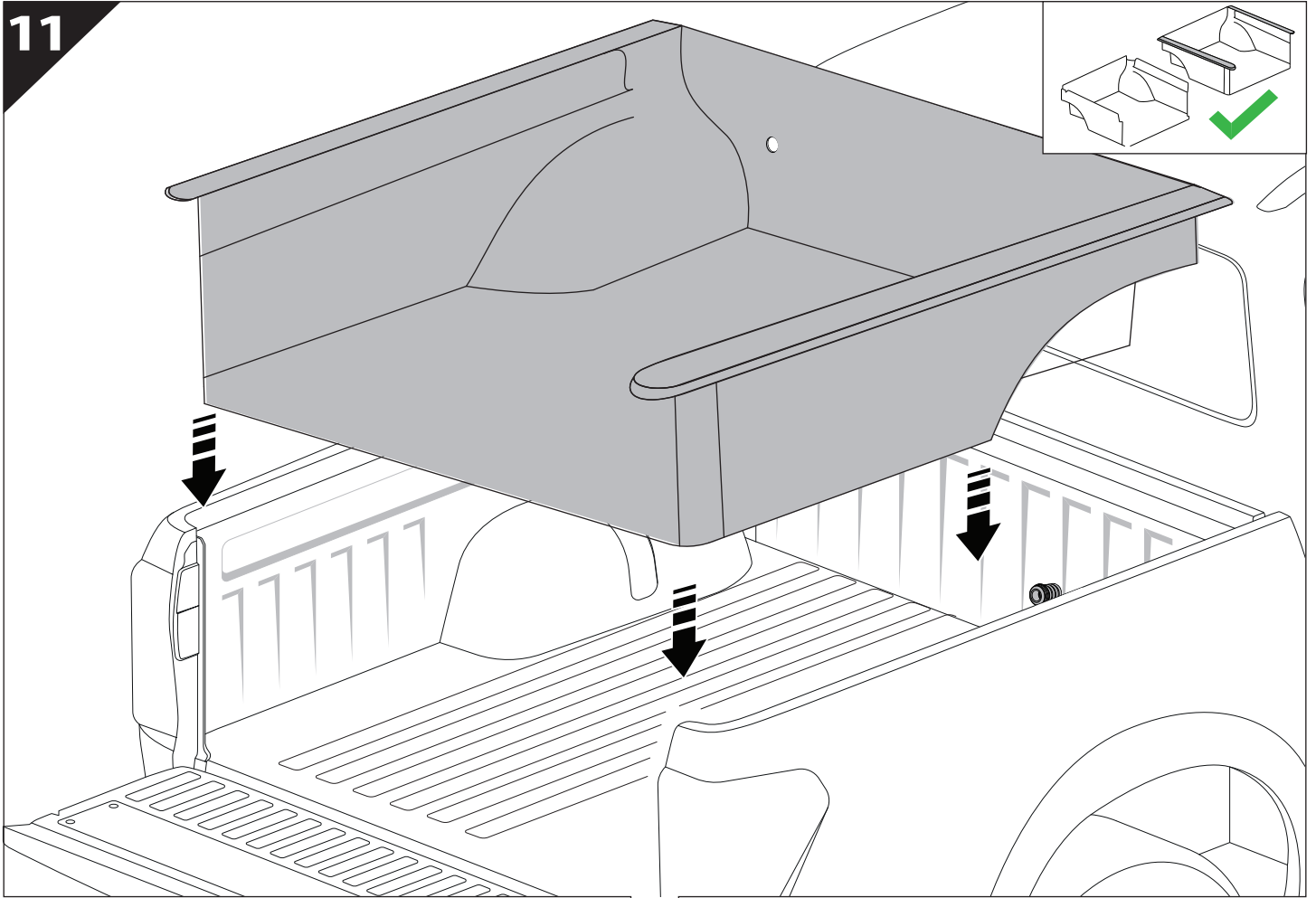
8.2



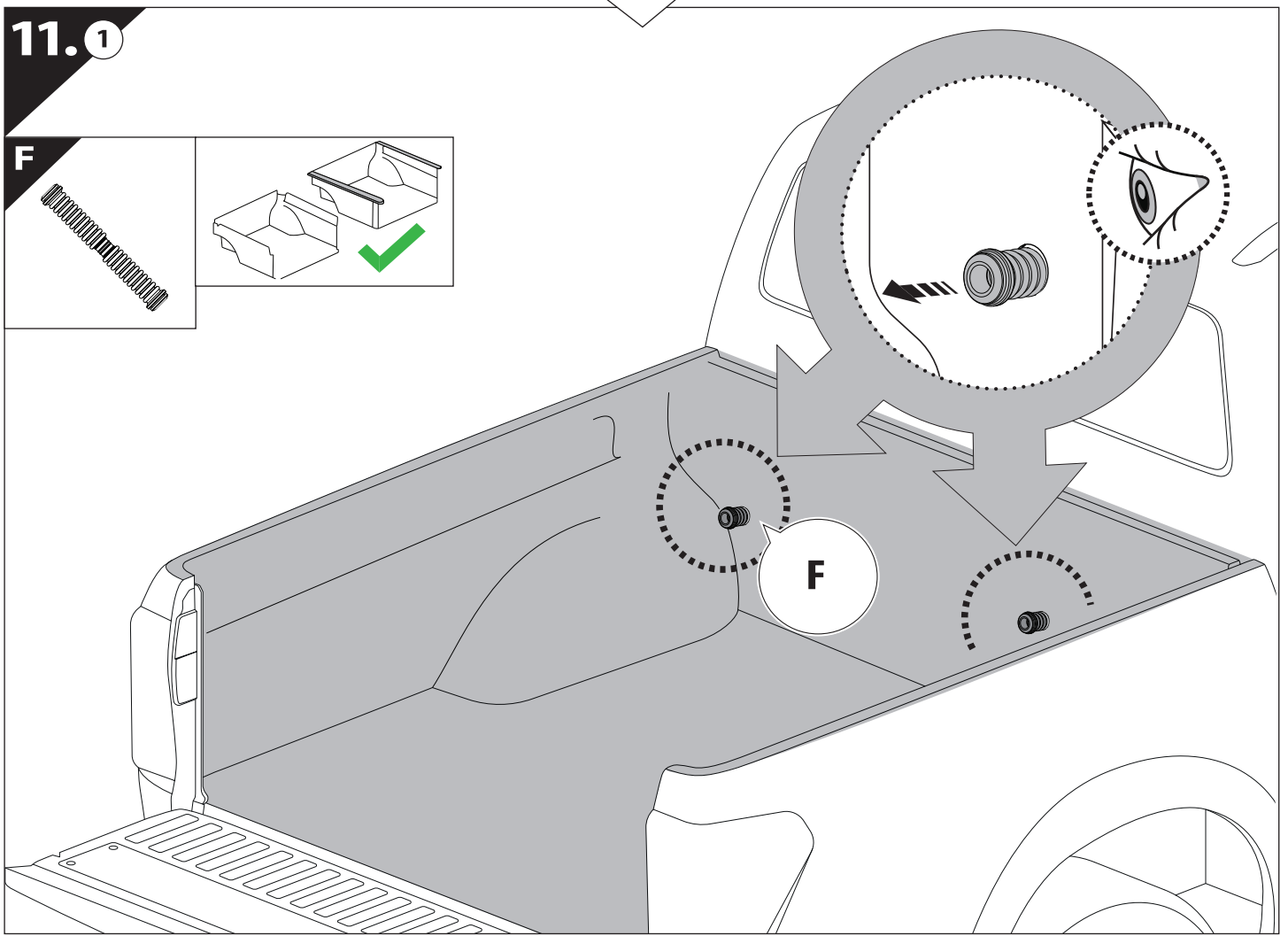
10



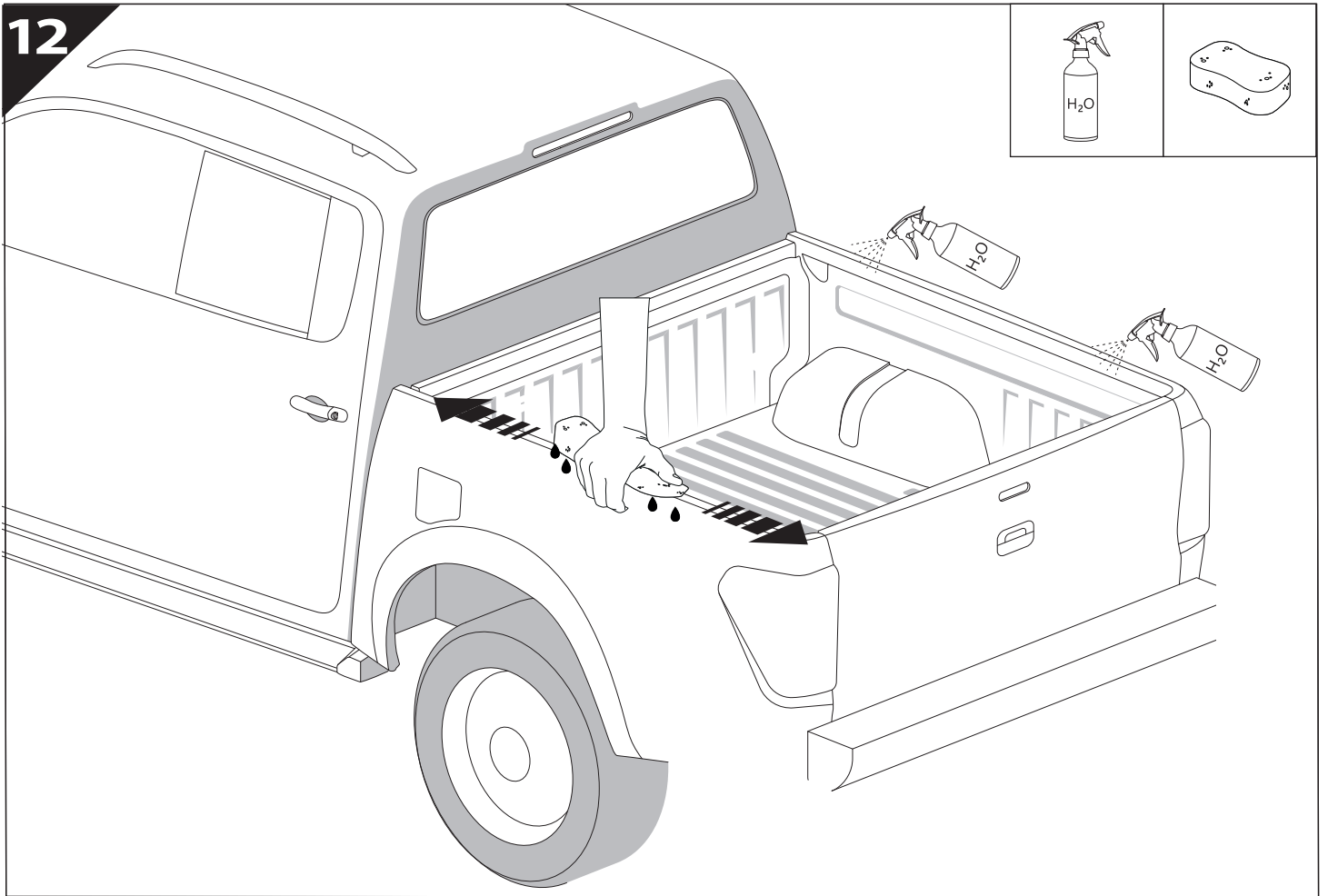
11



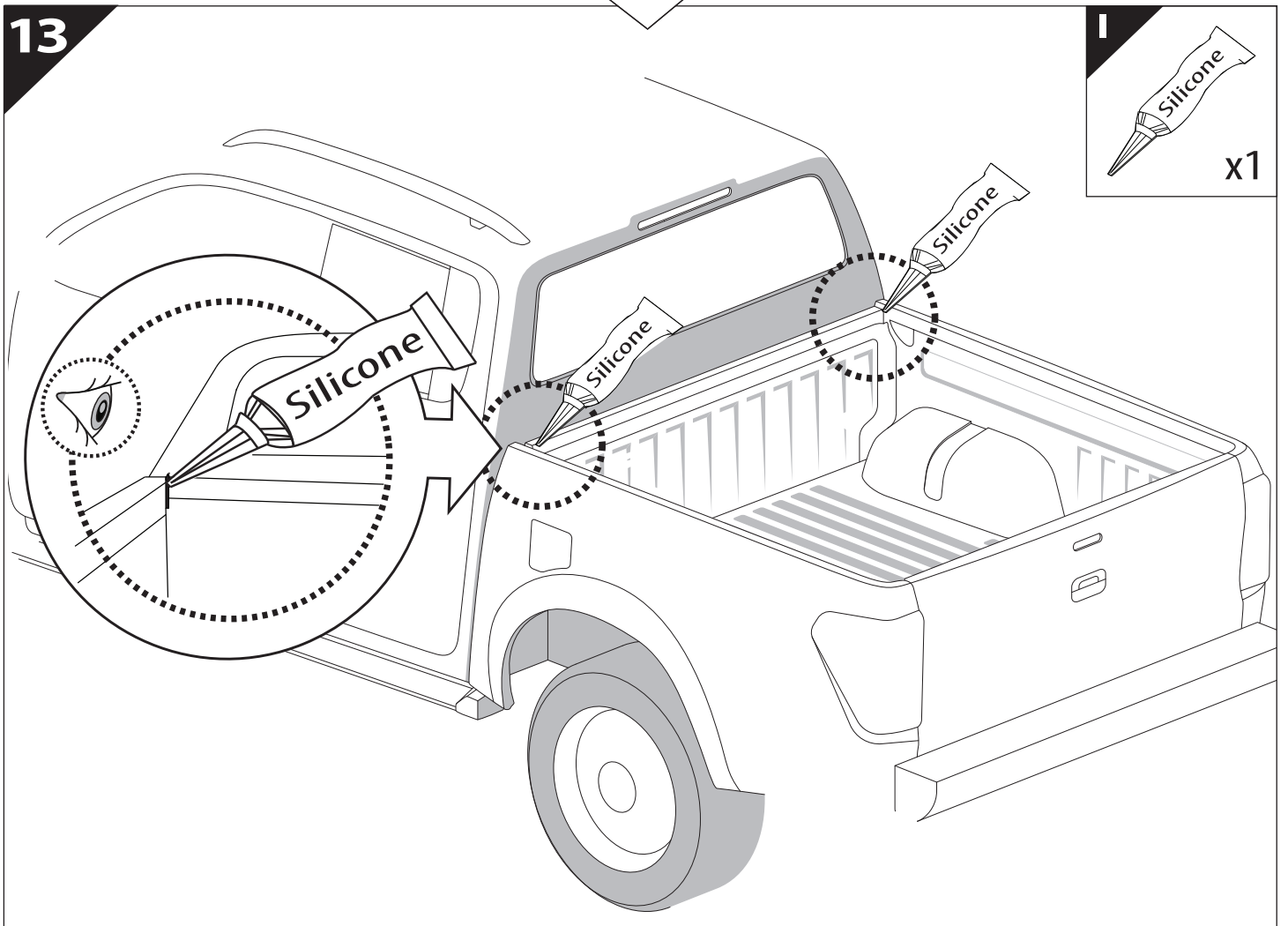
11.1

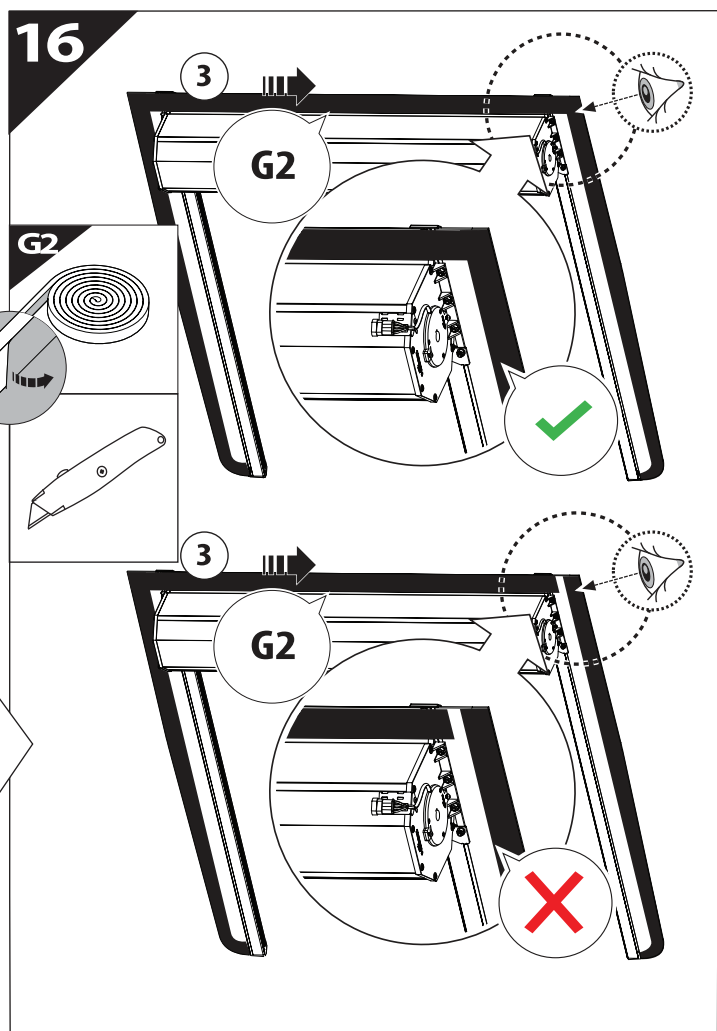
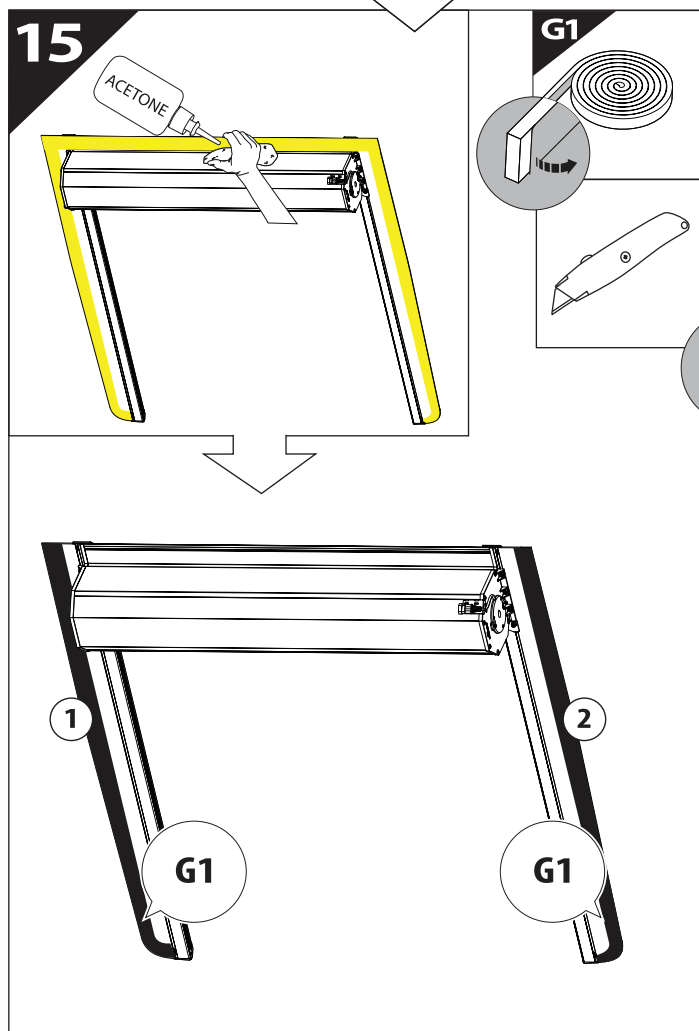
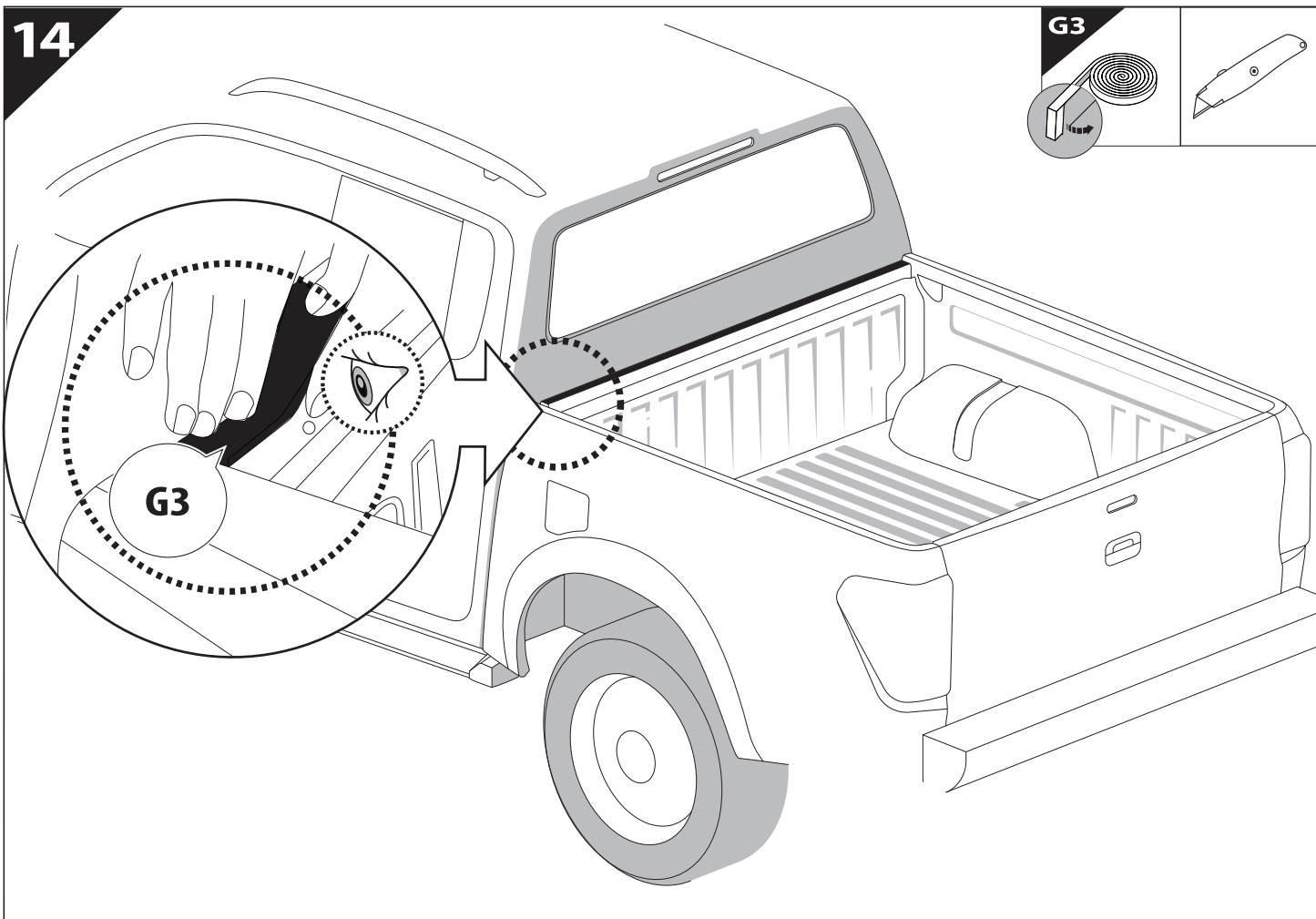


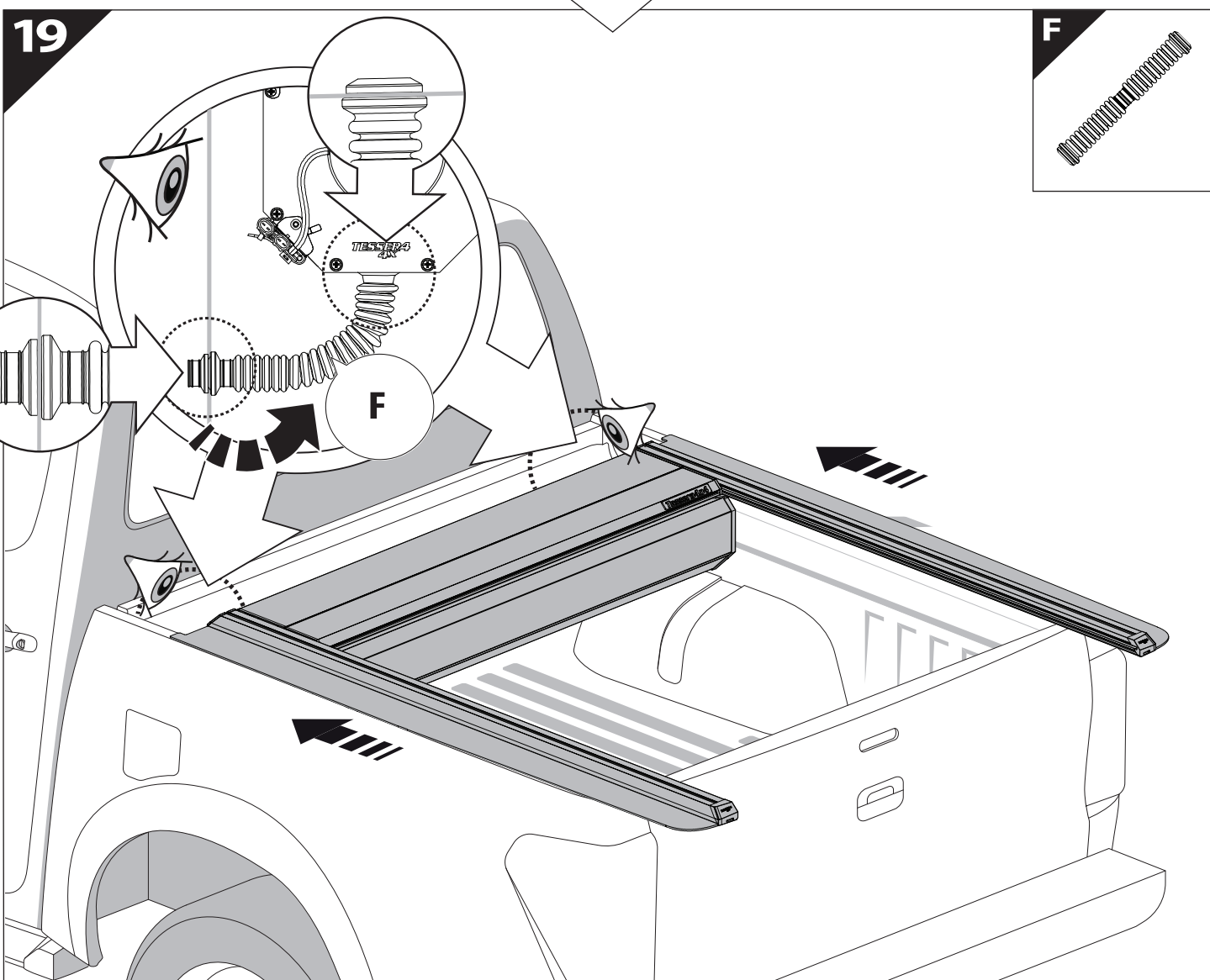
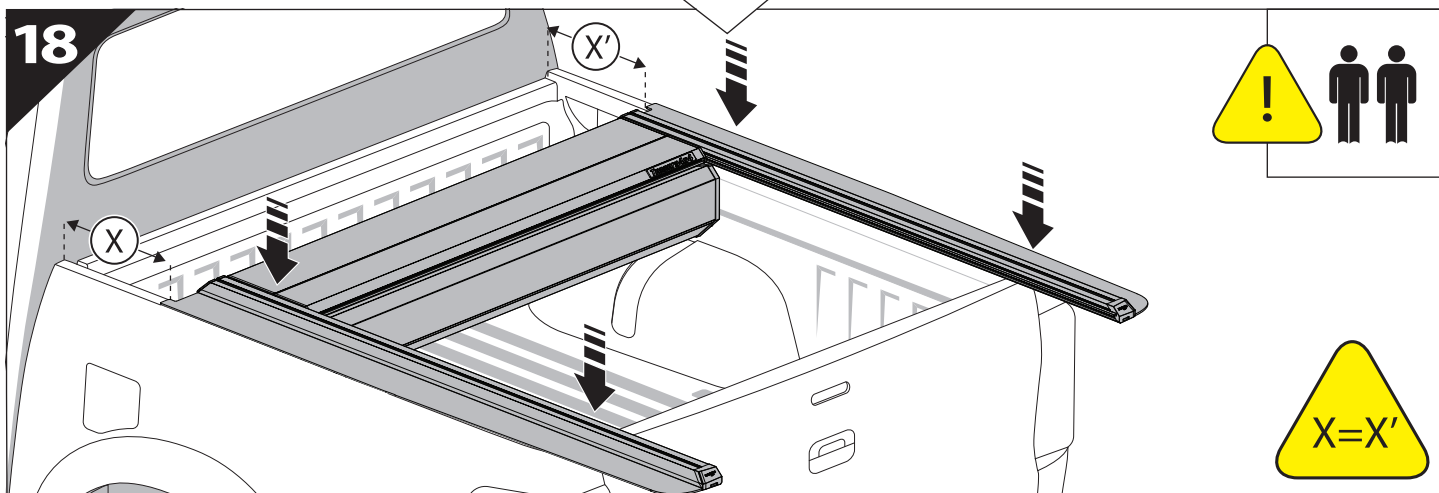
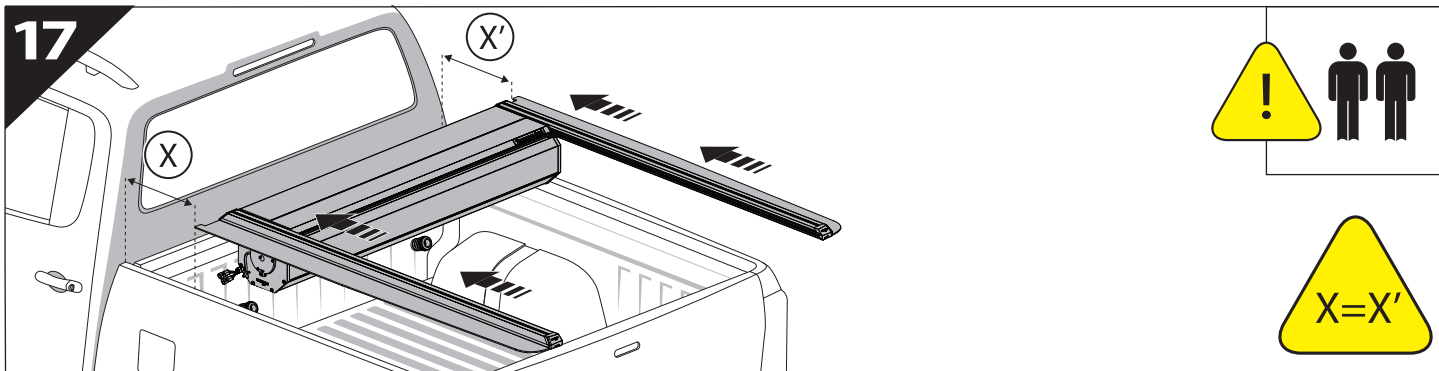
12

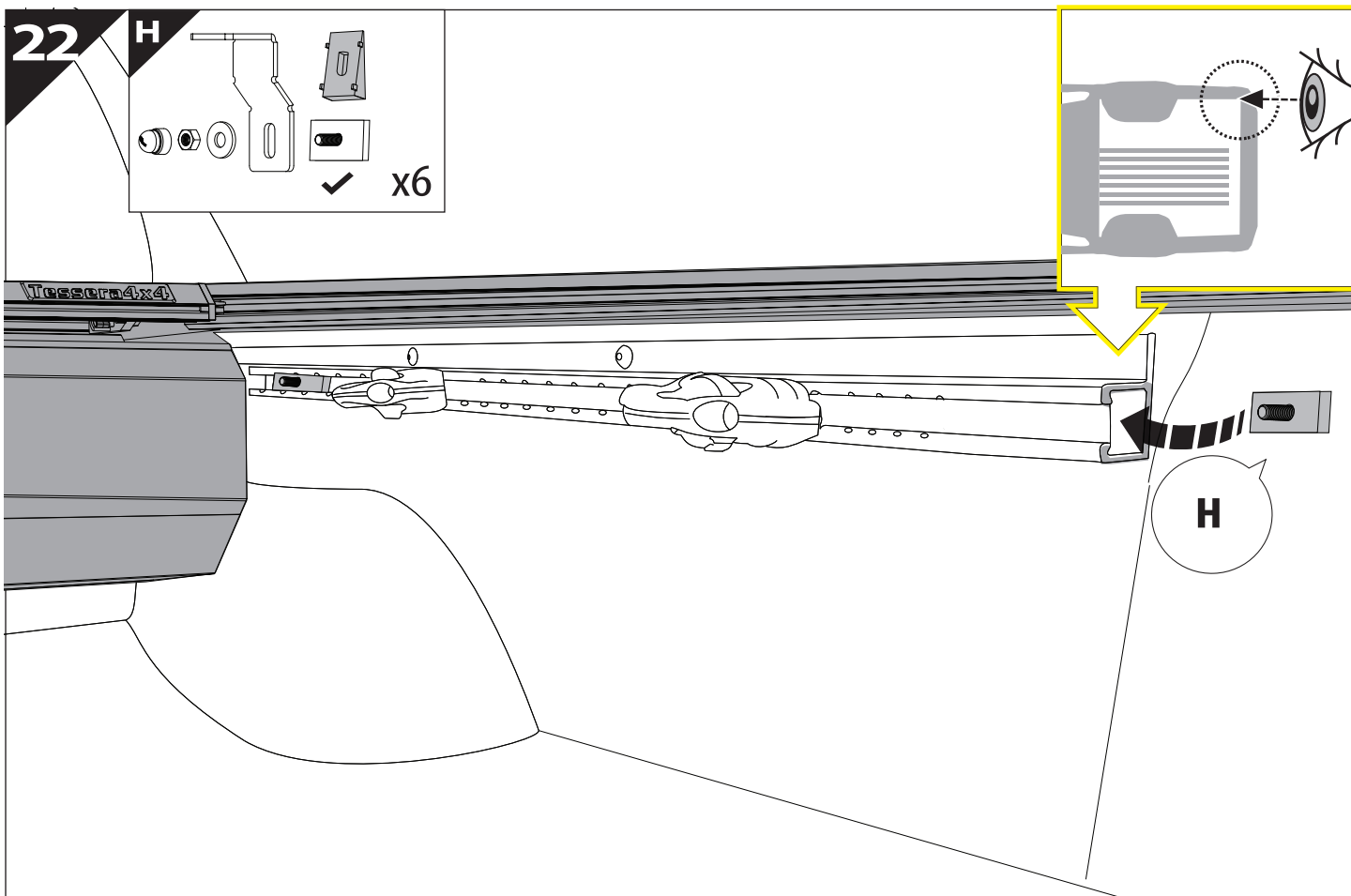
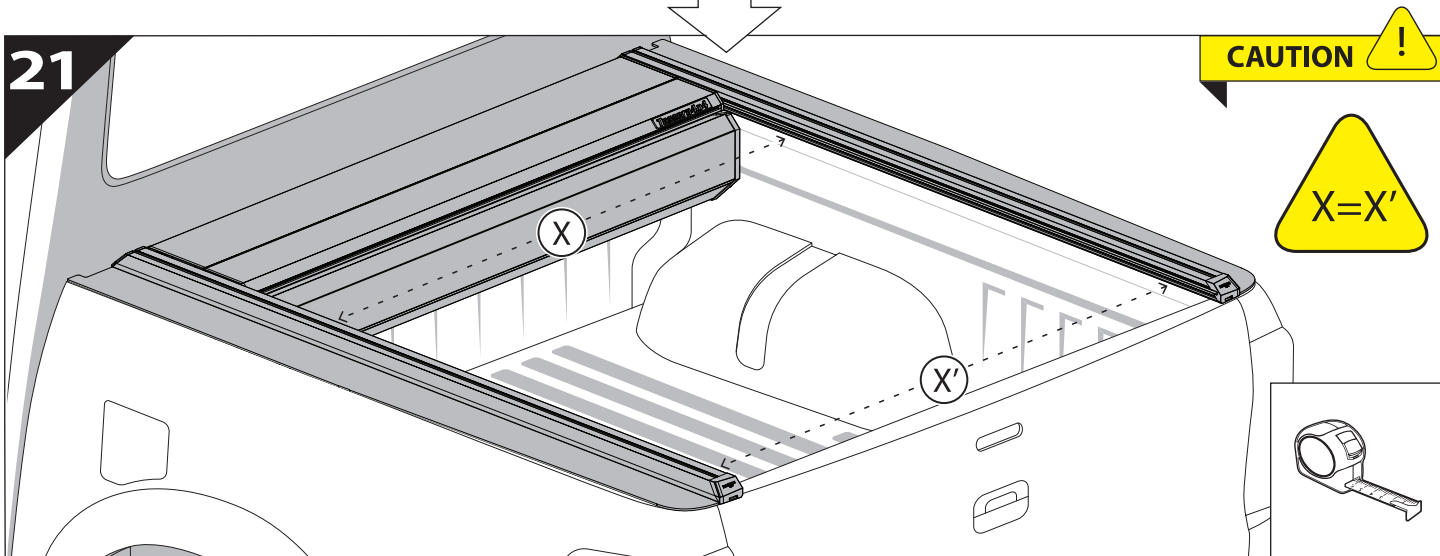
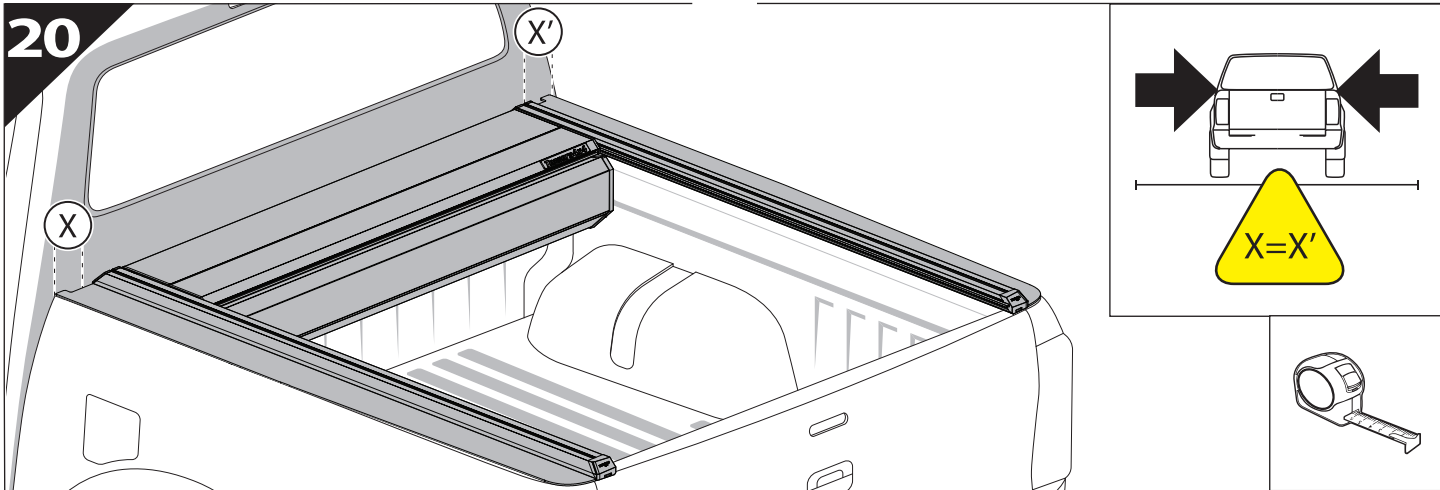


13

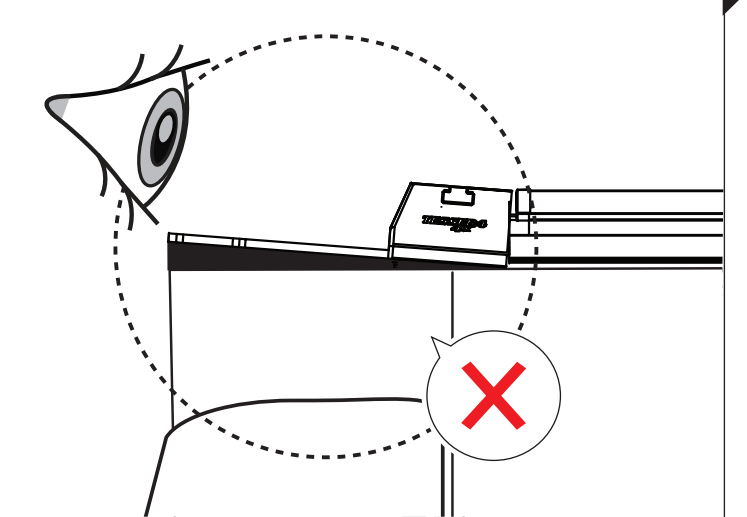
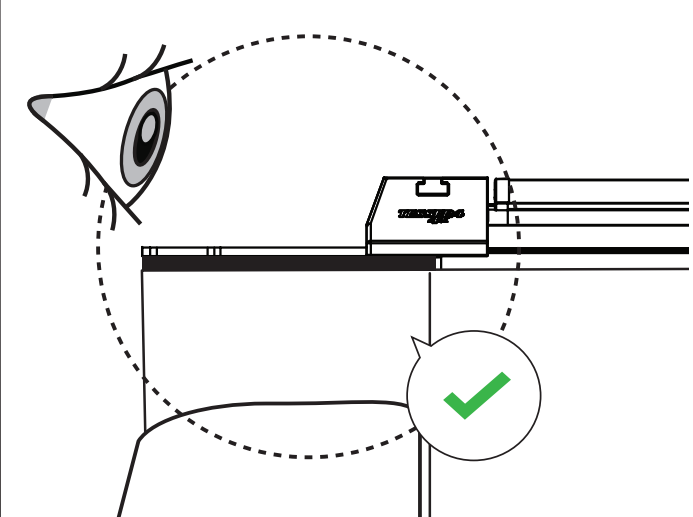
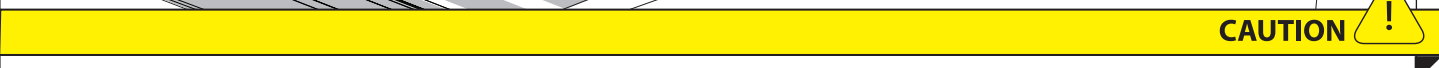
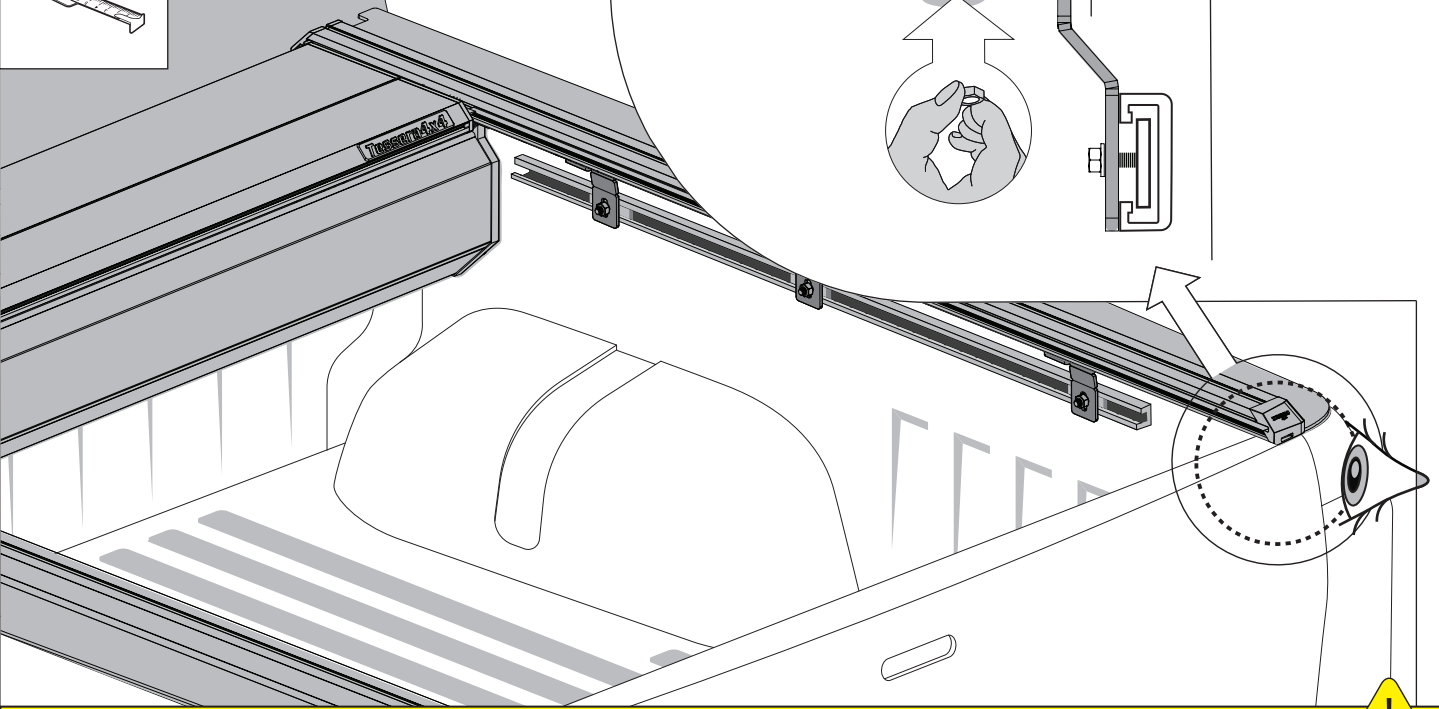
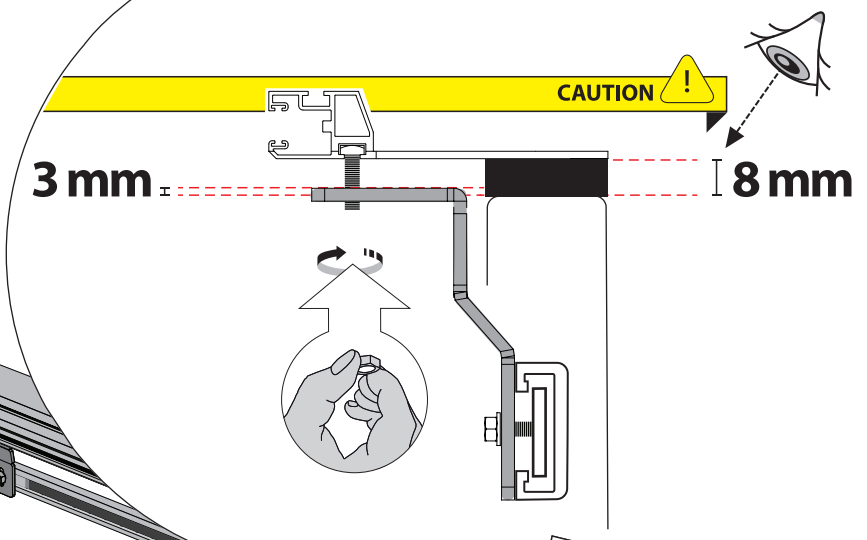
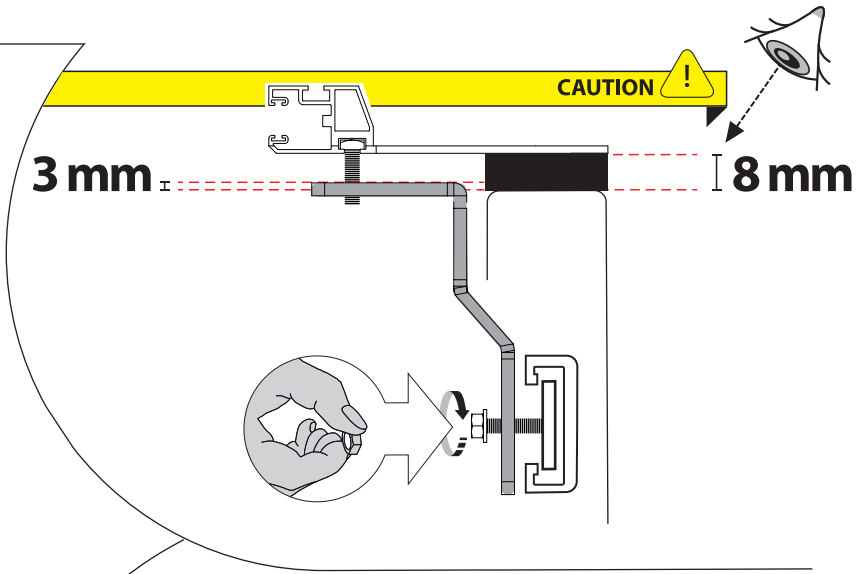
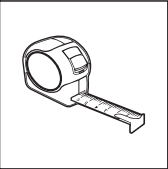
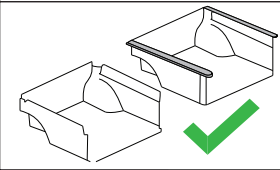
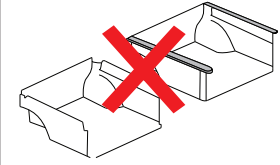
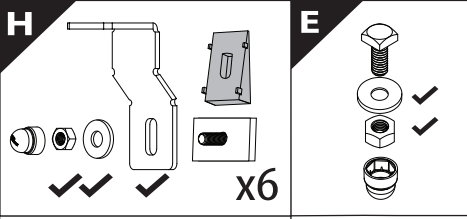


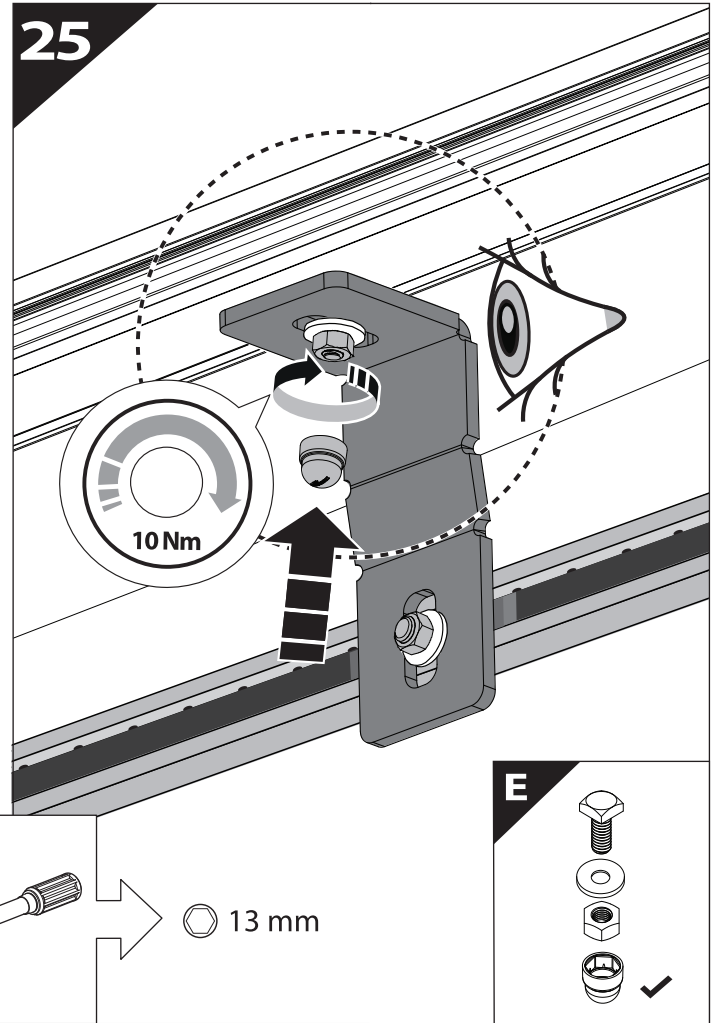
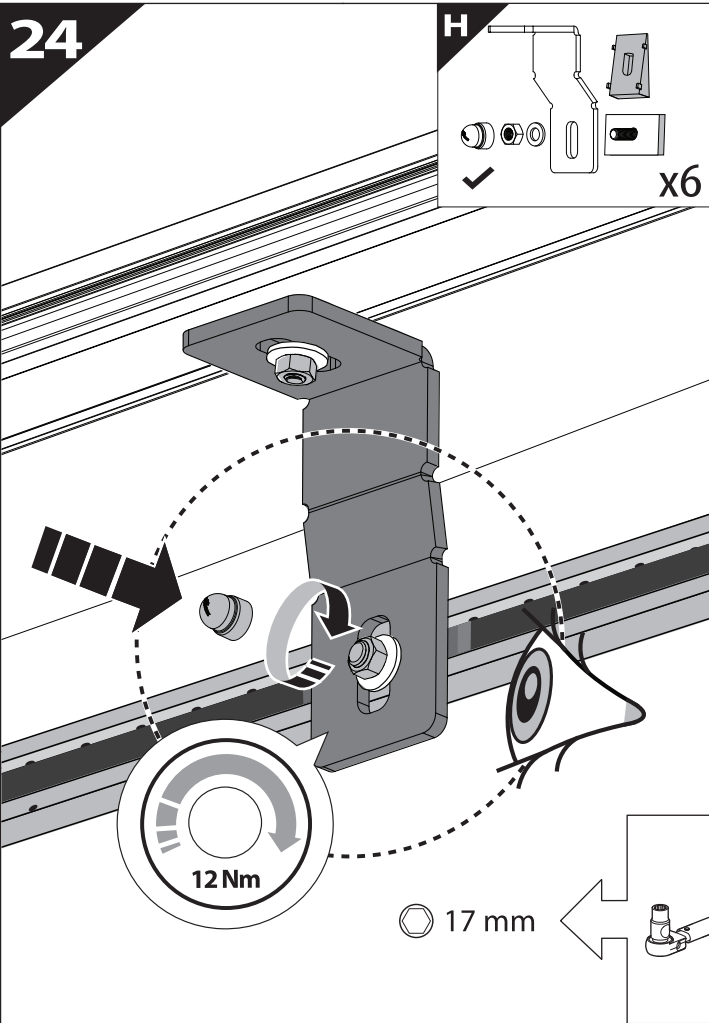




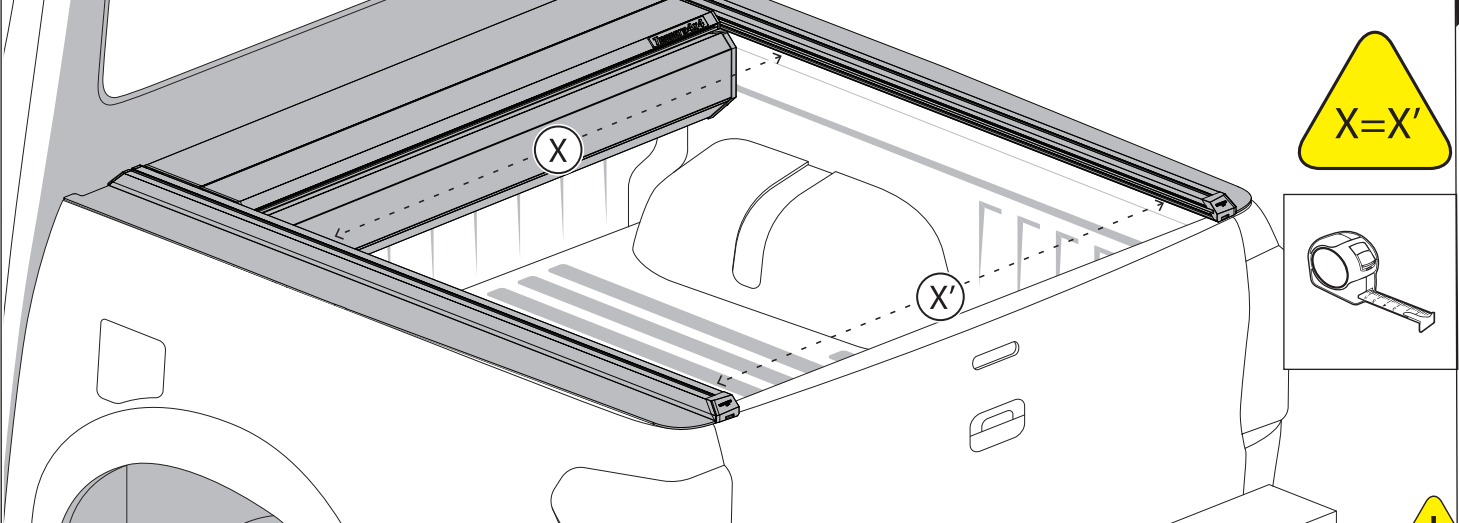


23

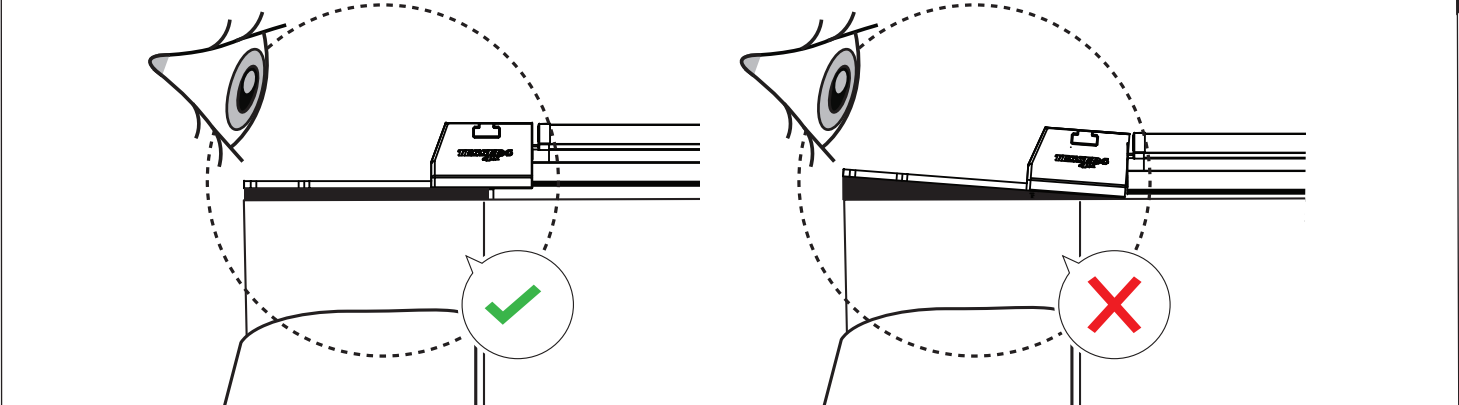


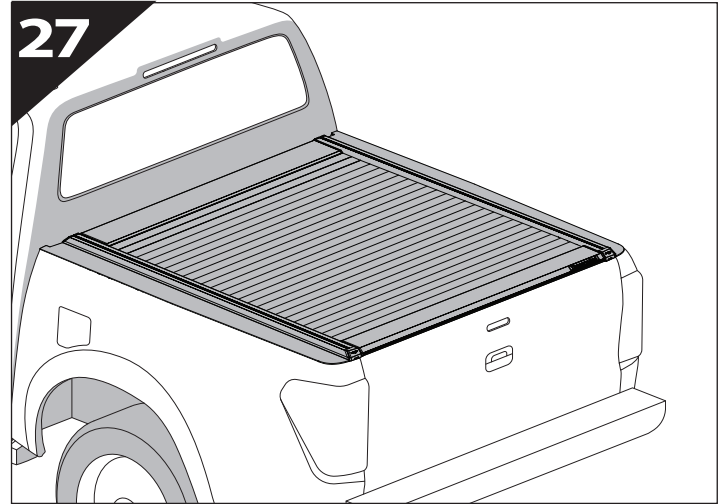
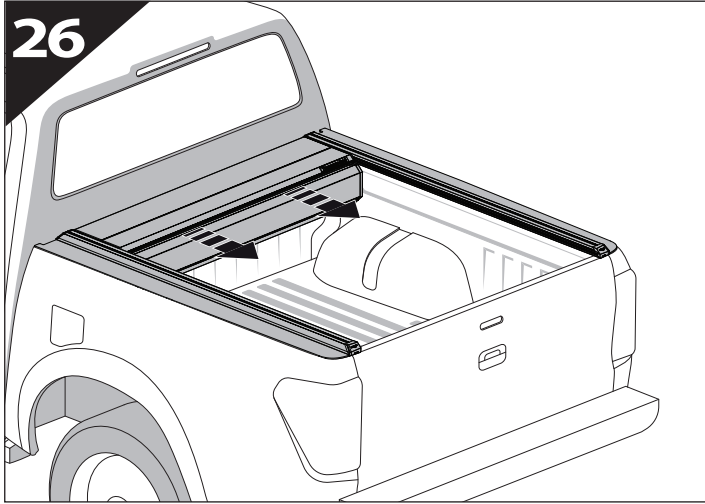


CAUTION !



CAUTION !





GR: Οδηγίες Εγκατάστασης
GB: Installation manual
SF: Asennusohje
F: Notice de montage
PL: Instrukcja montażu
NL: Installatie-instructies
TR: Montaj Talimatı
S: Monteringsanvisning
E: Instrucciones de montaje

H: Szerelési utasítás
P: Instruções de instalação
RUS: Инструкция по установке
N: Monteringsveiledning
D: Einbauanleitung
CZ: Návod k instalaci
I: Istruzioni de montaggio
DK: Monteringsvejledning
RO: Instructiuni de instalare

Customer Service:

+30 (210) 5541161, +30 (210) 5541154 (08:00 - 16:00 EET)

Support department:

info@gianso.gr

Website:

www.tessera4x4.com

Address:

19.5 km of National road Athens-Korinthos (Elefsina) Greece, P.C: 19200