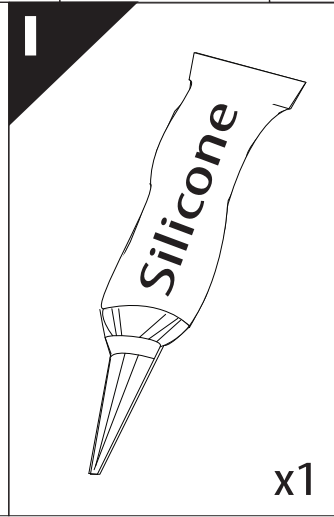
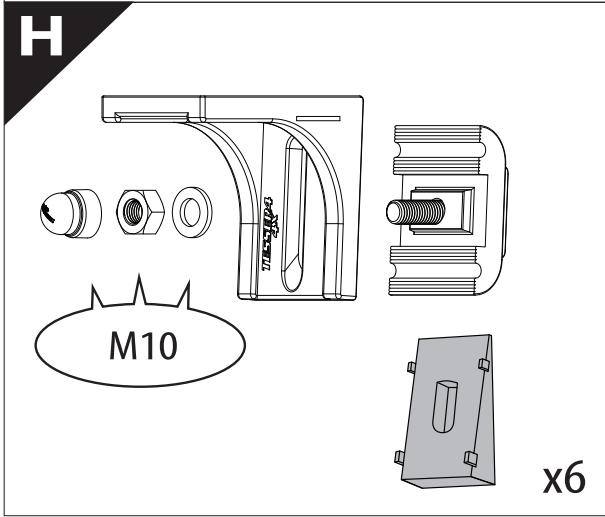
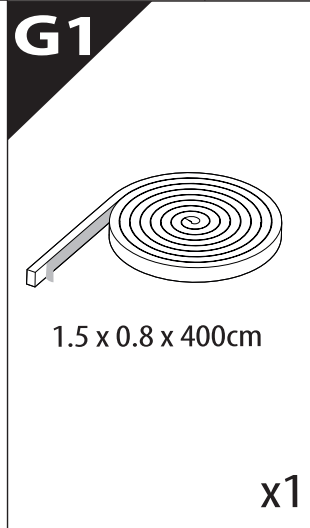
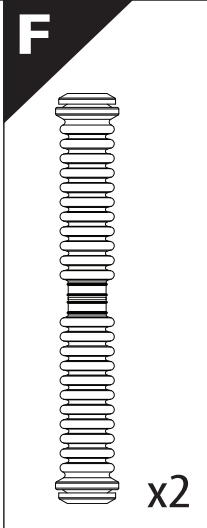
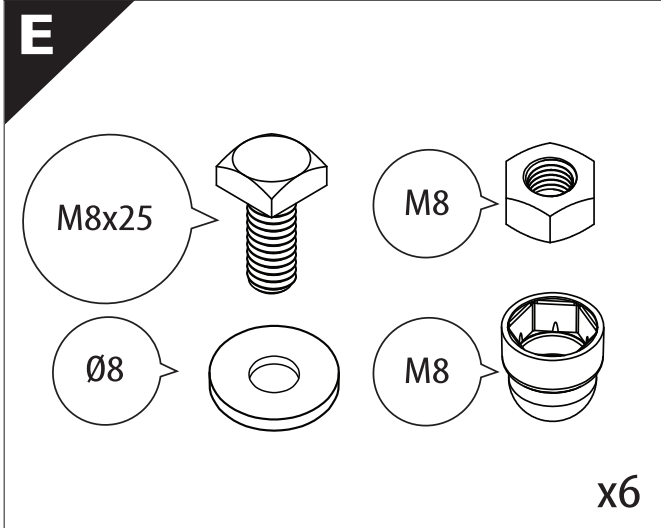
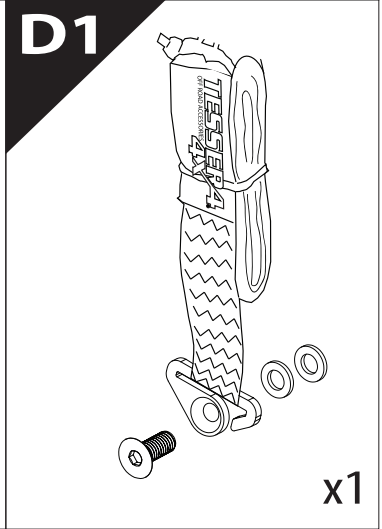
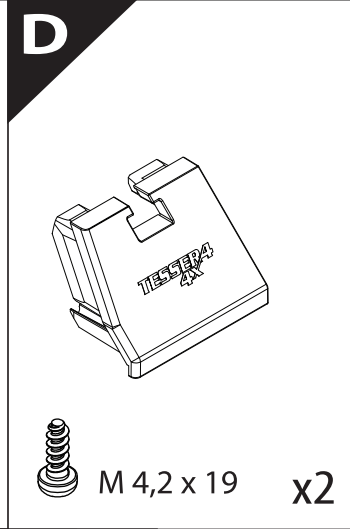
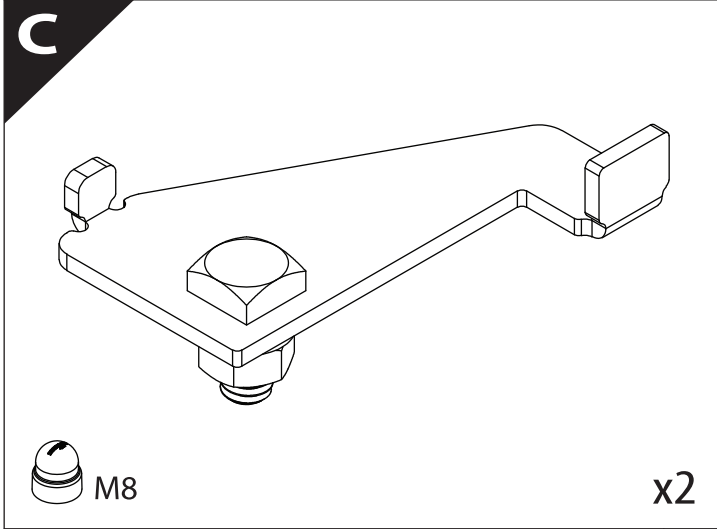
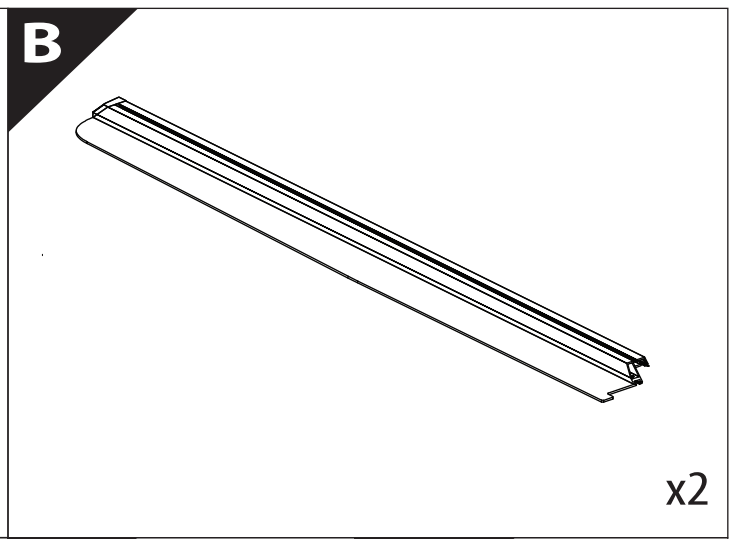
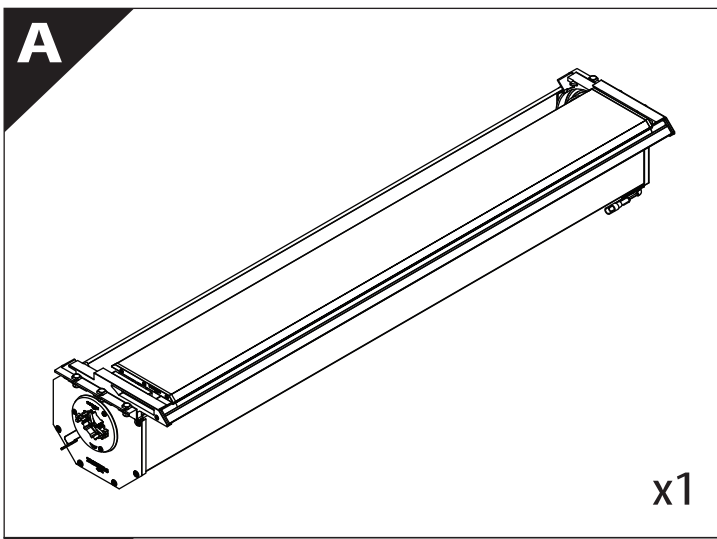
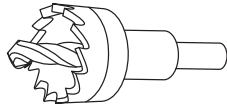




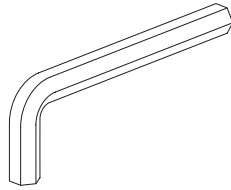
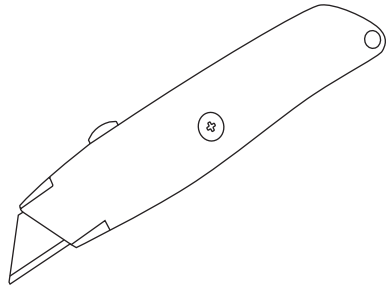
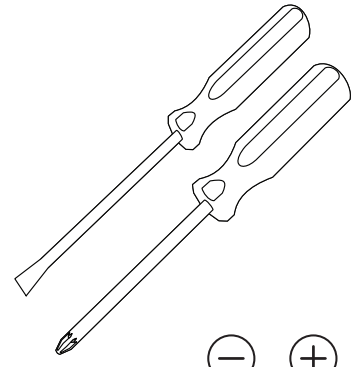
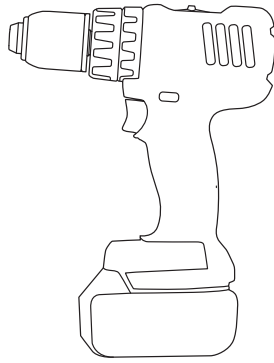
Installation Manual

PART NUMBER(S)	Model Year
TESS 1519 SE	Mercedes X-Class 2018+ (no-c-channels)
Cab(s)	Installation Time / Weight
Double Cab	40-60 minutes / 53-57 kg



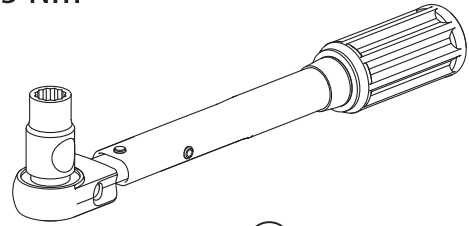


Ø 25 mm



4 mm

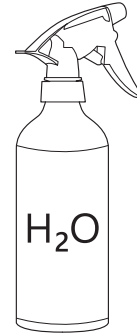
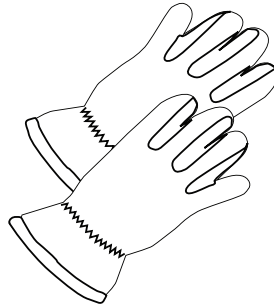
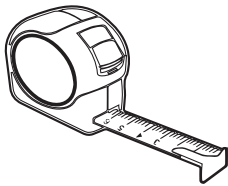
1 - 25 Nm



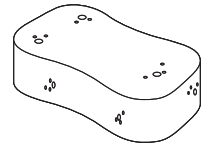
13, 17 mm



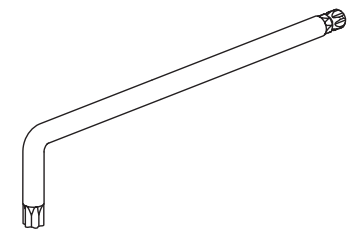
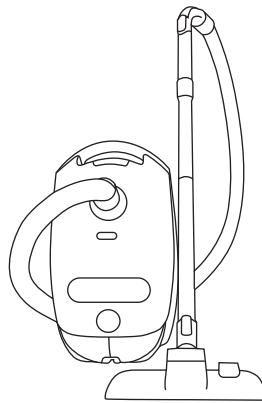
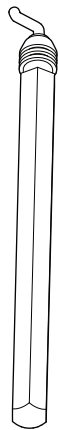
ACETONE



H₂O



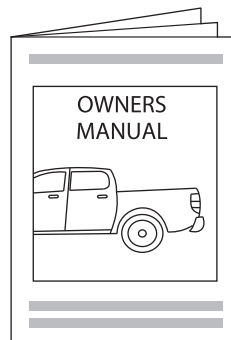
ANTI-RUST



T30, T40

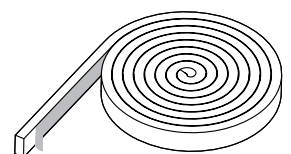
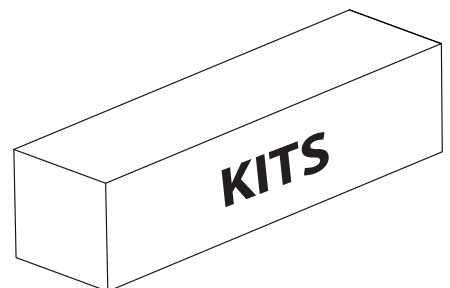
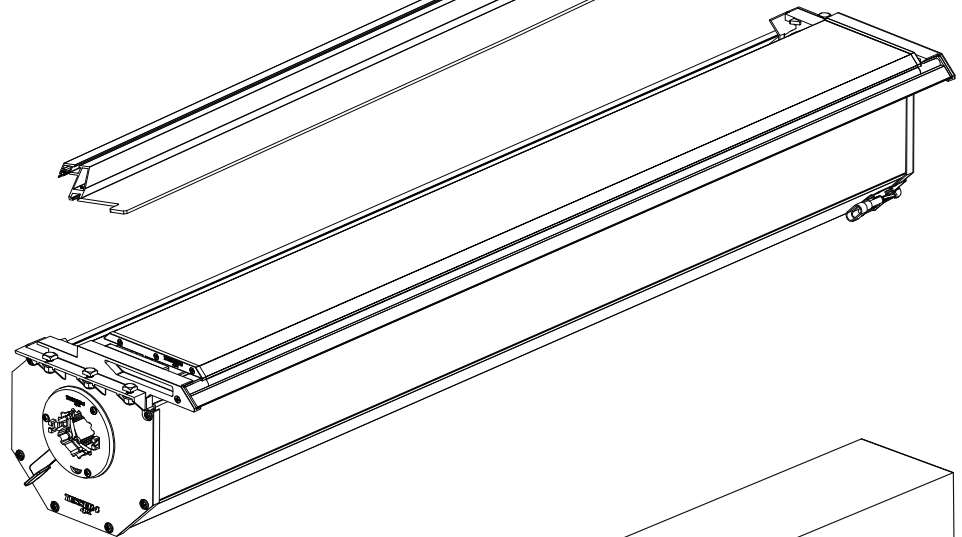
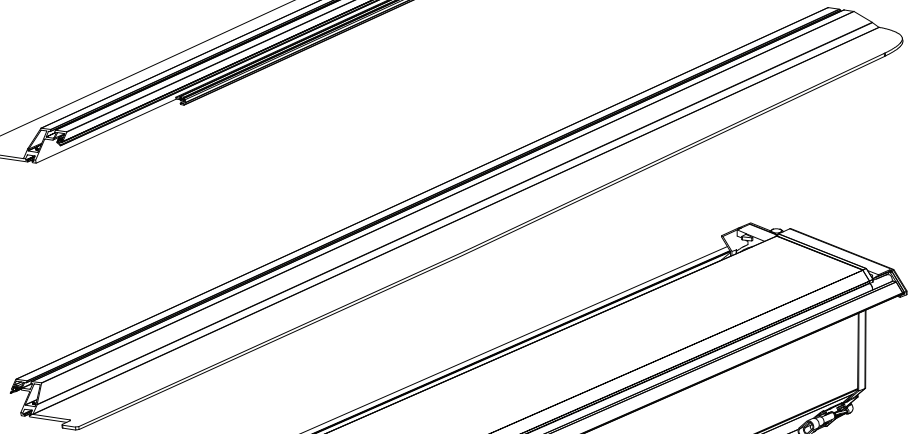
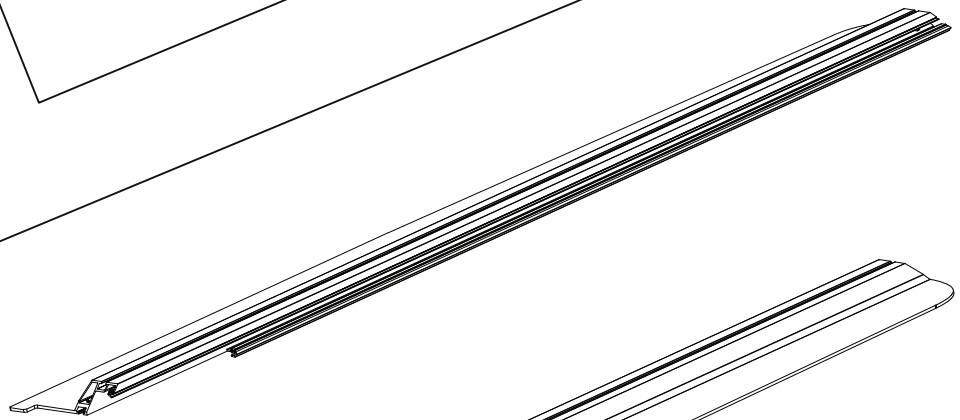
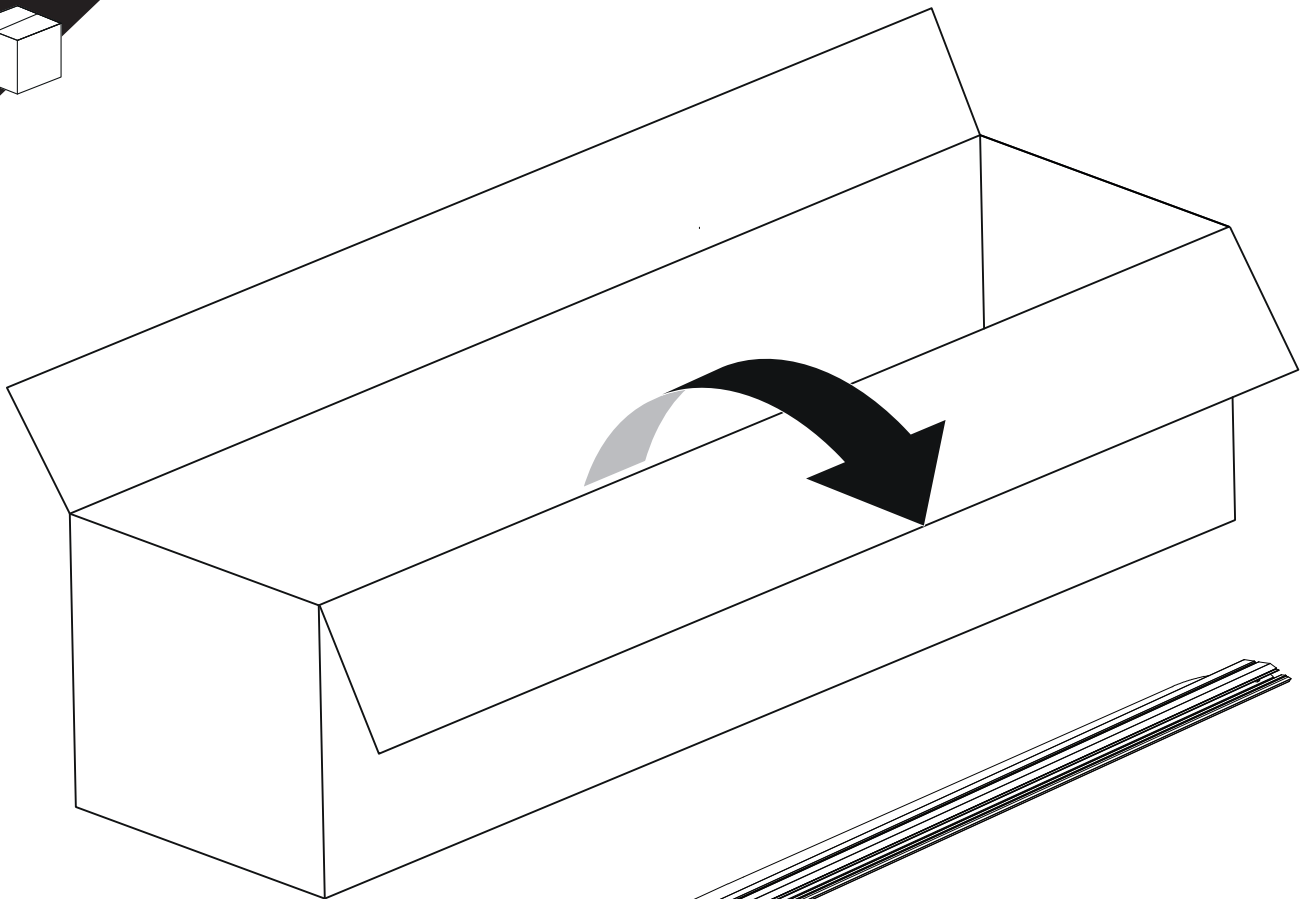


INSTALLATION
MANUAL



OWNERS
MANUAL

x1

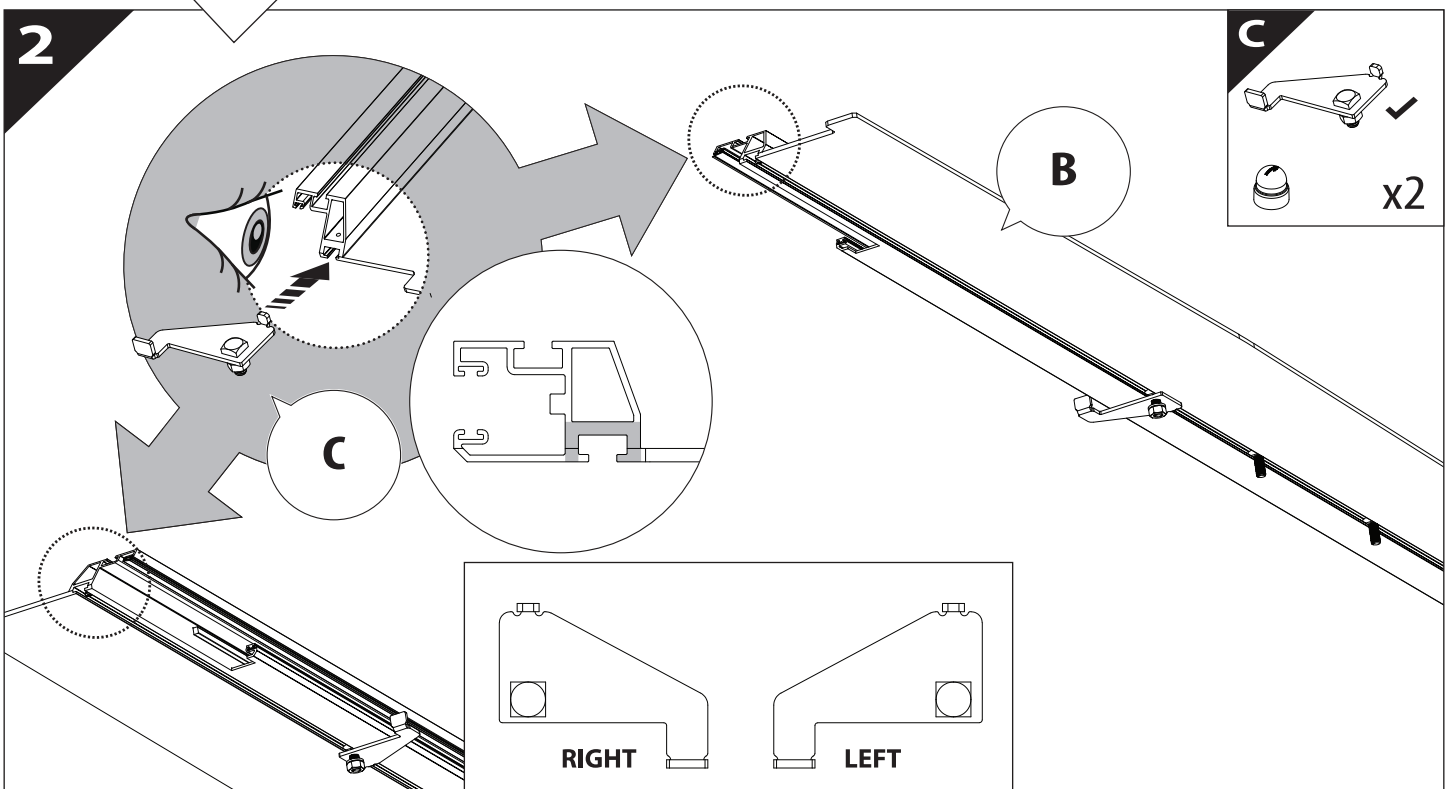
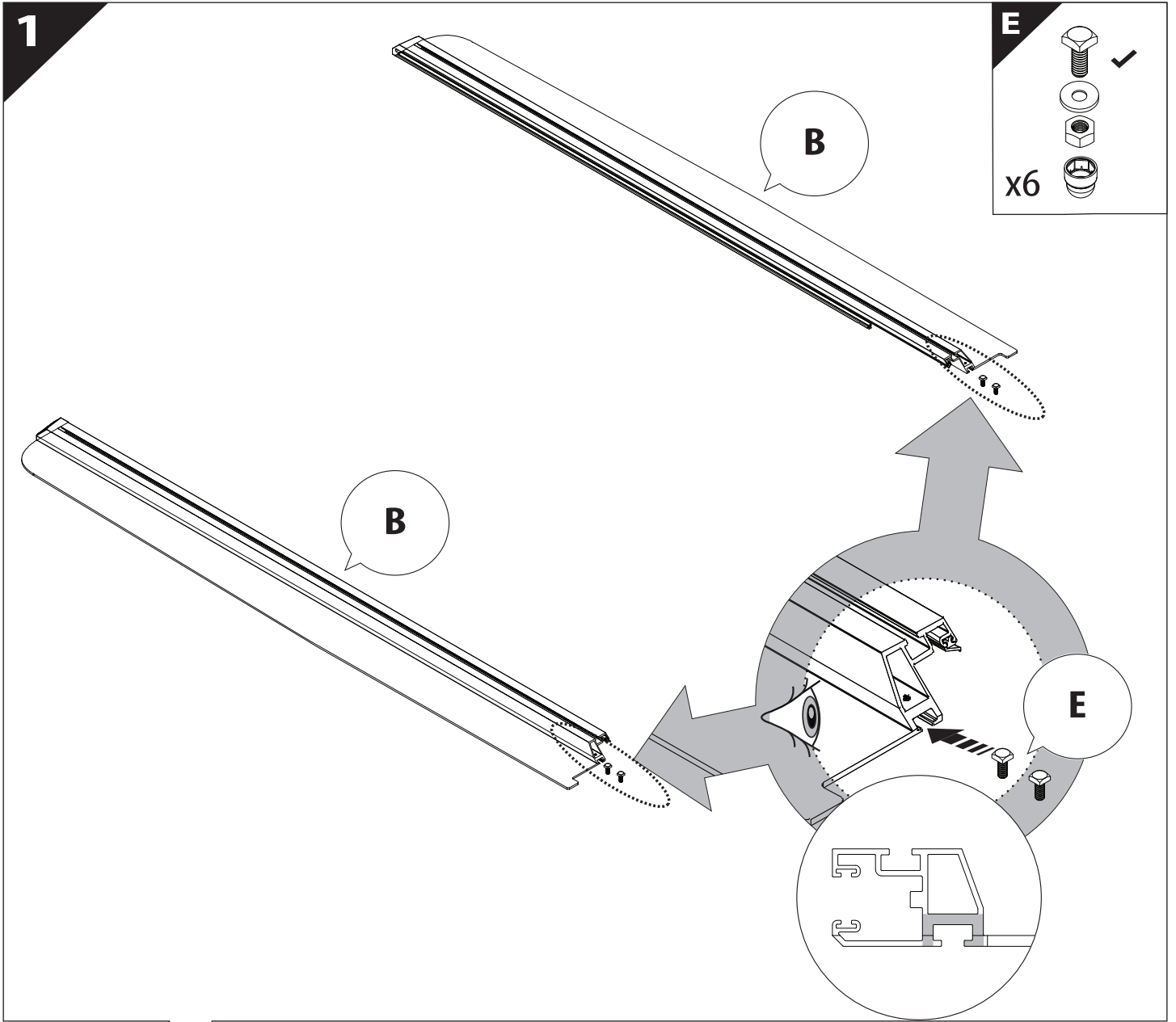


B

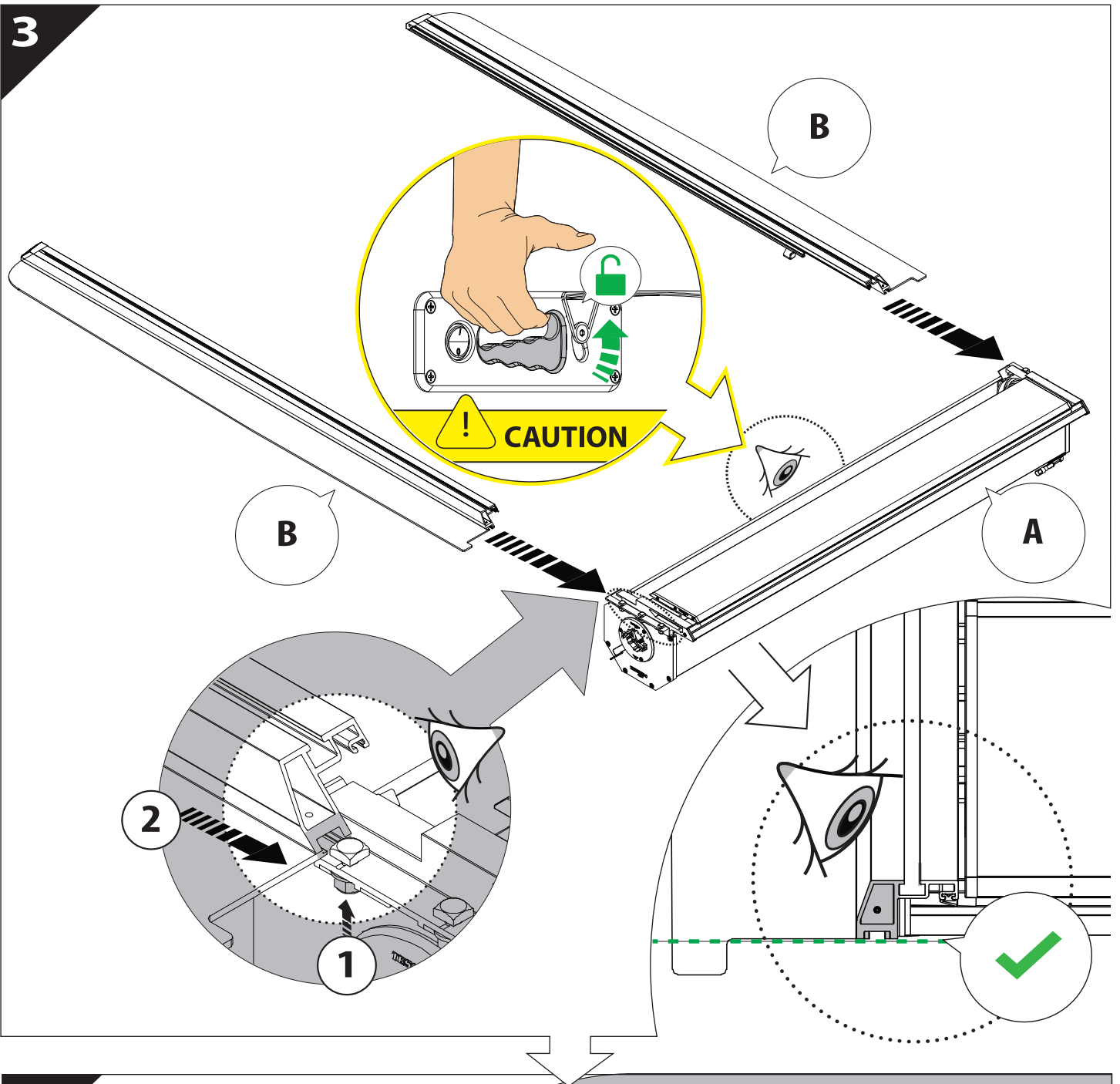
A

KITS

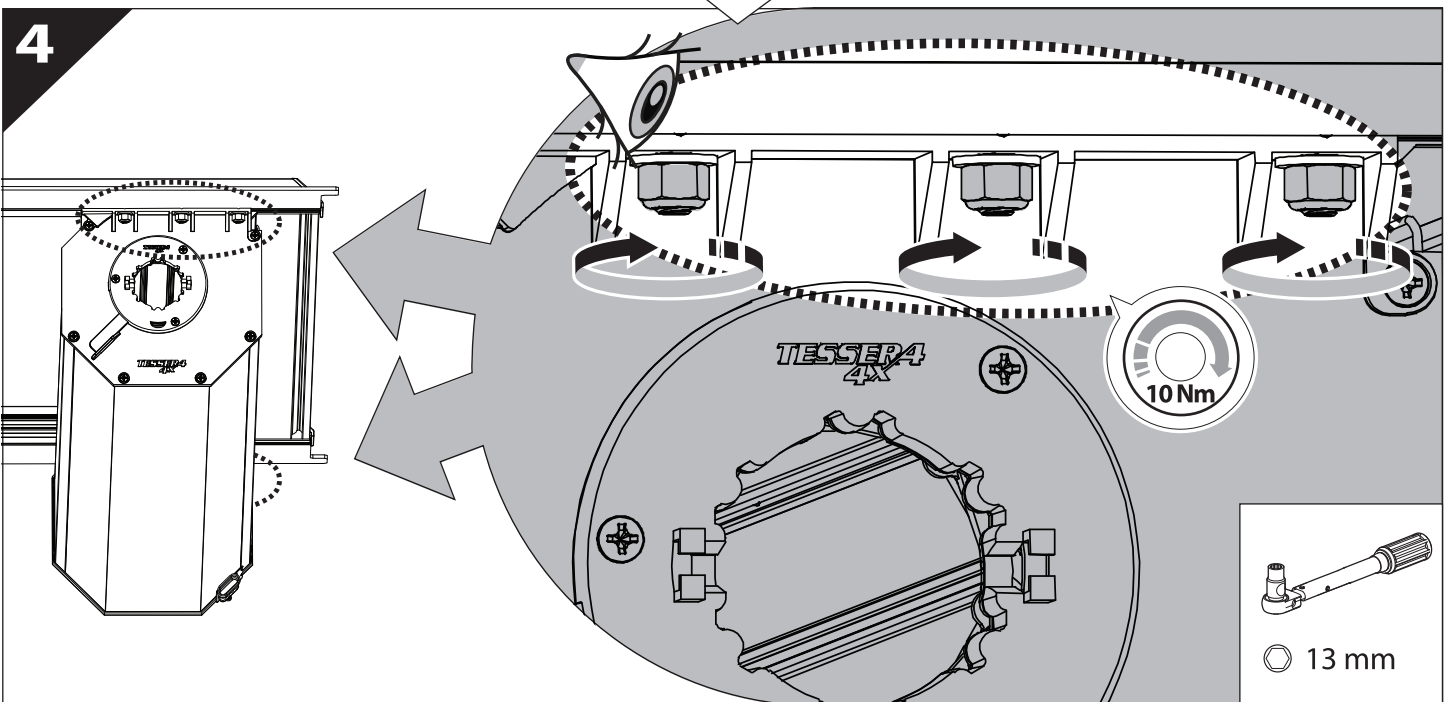
L

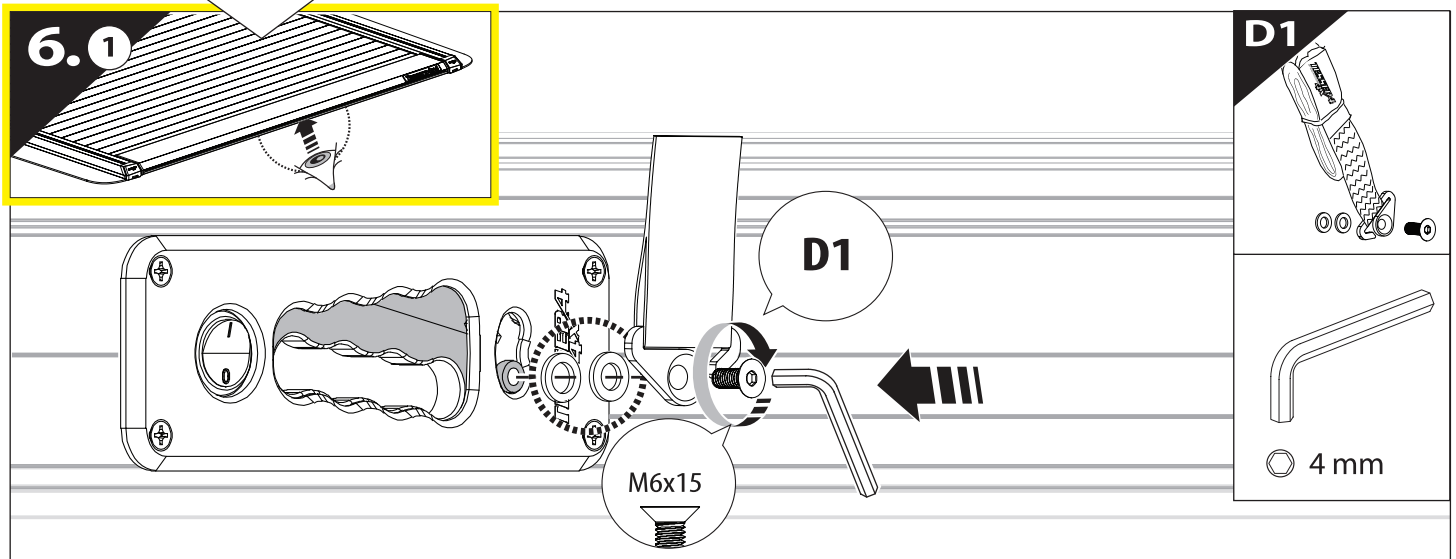
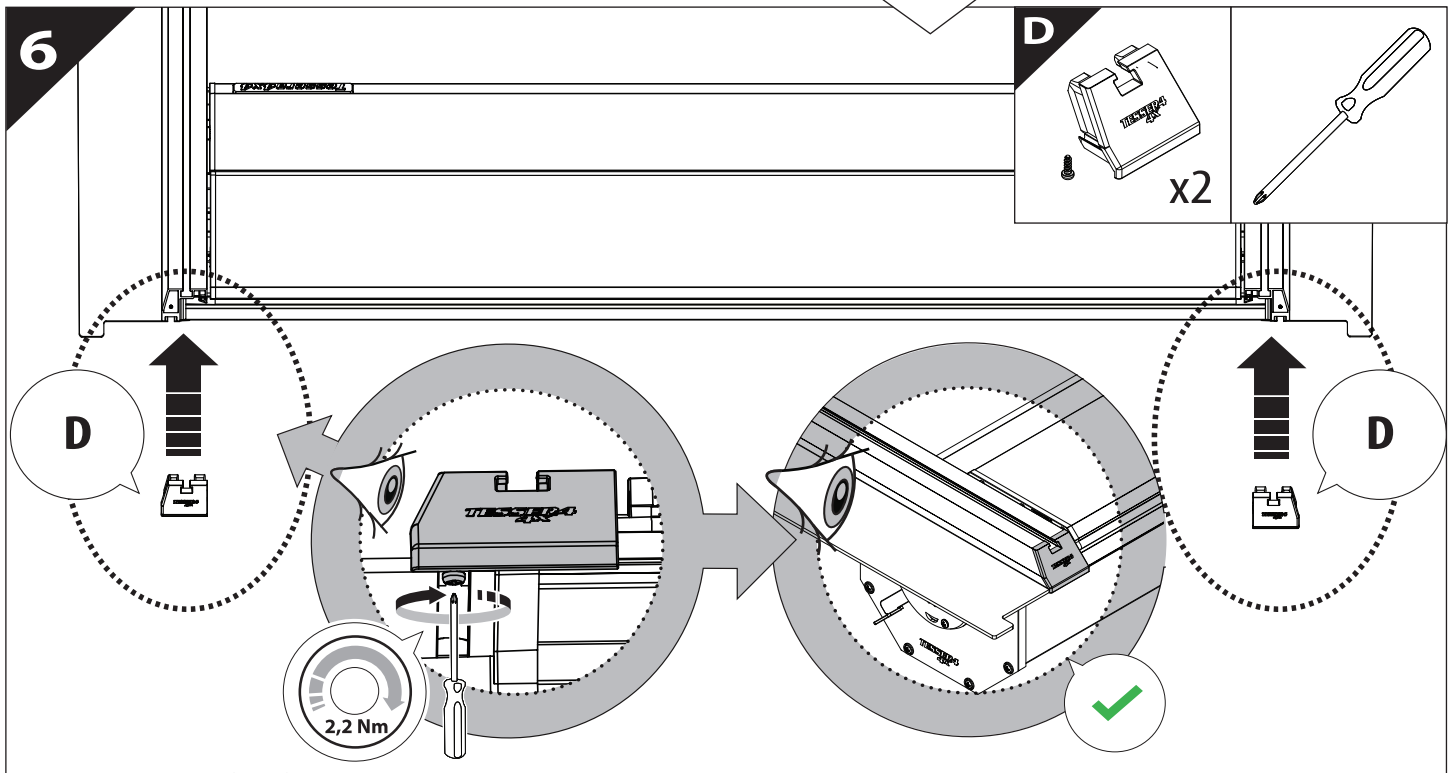
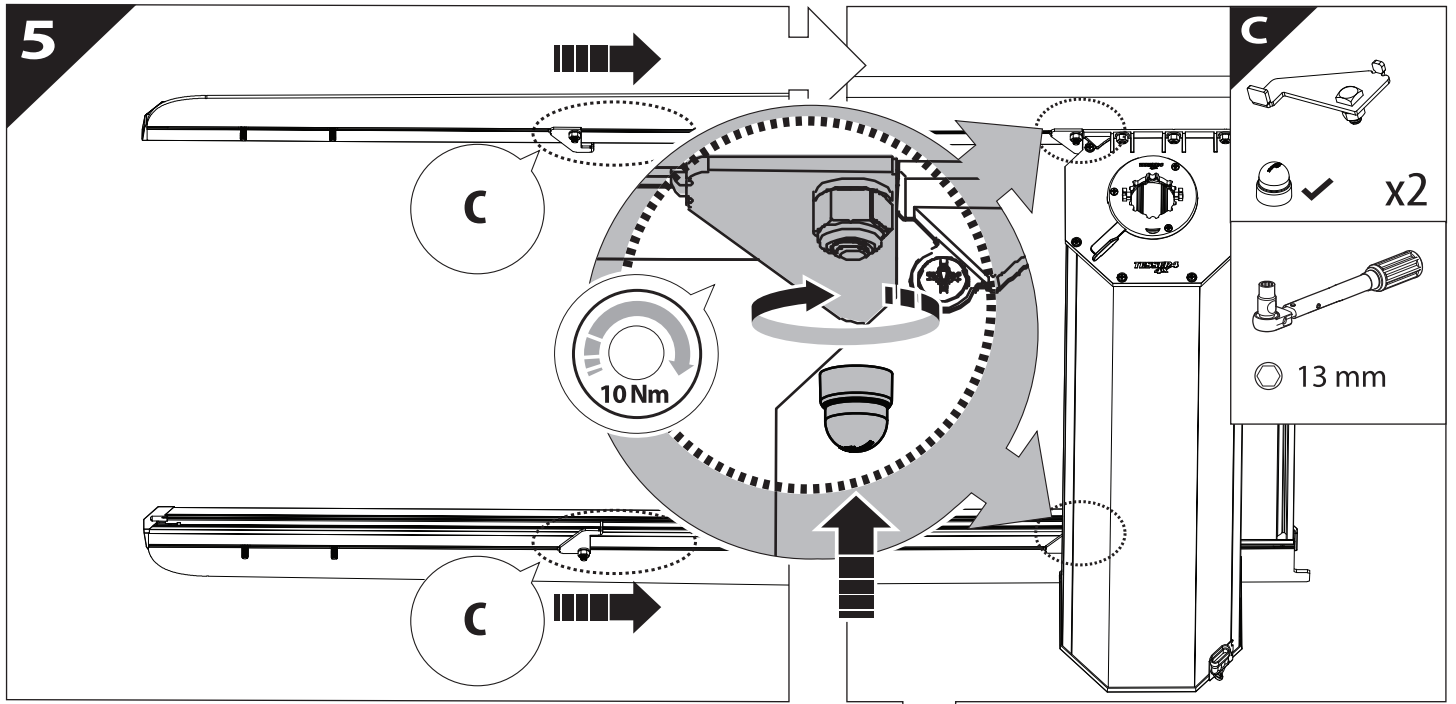


3



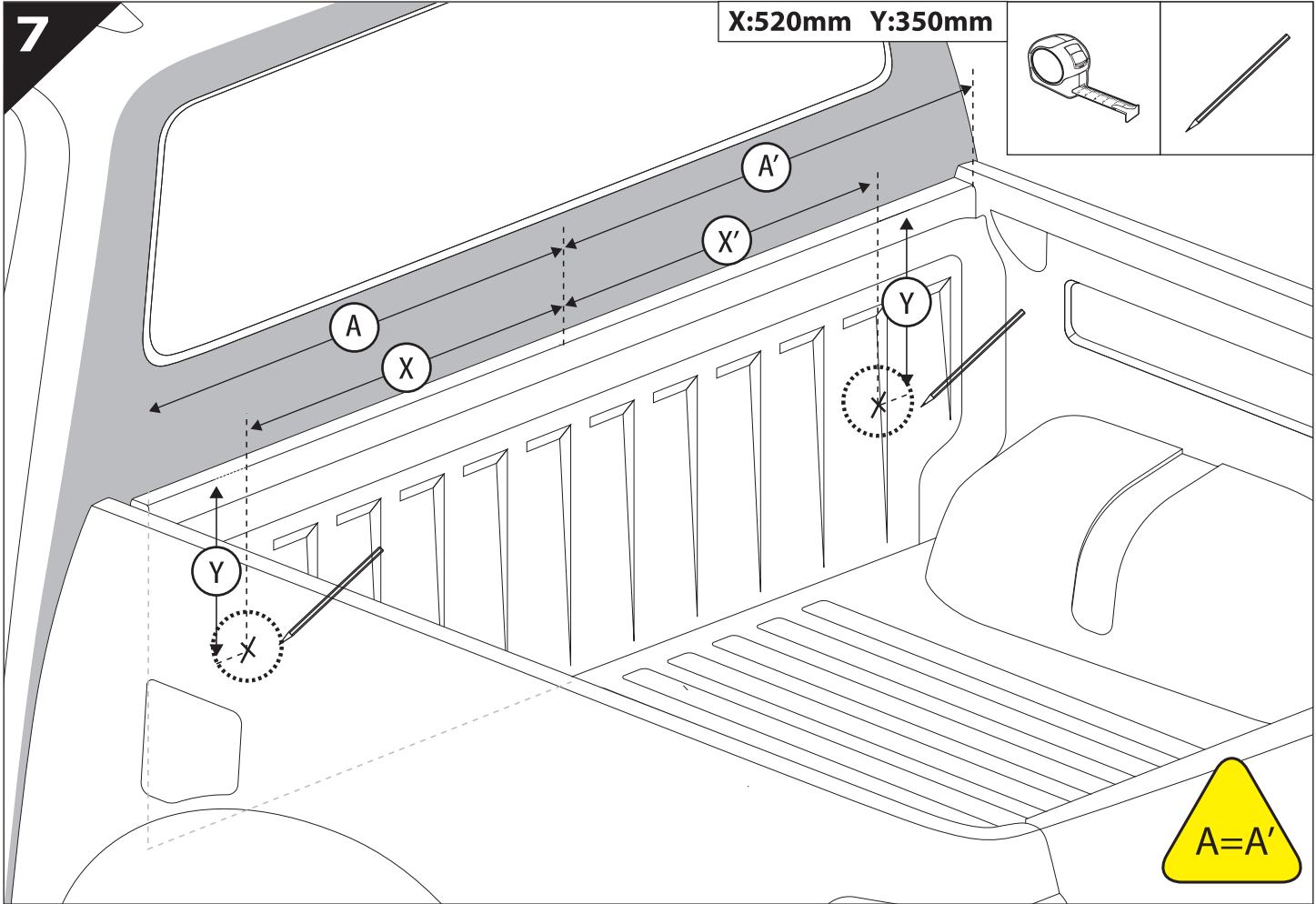
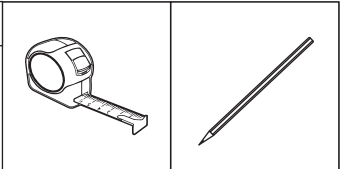
4



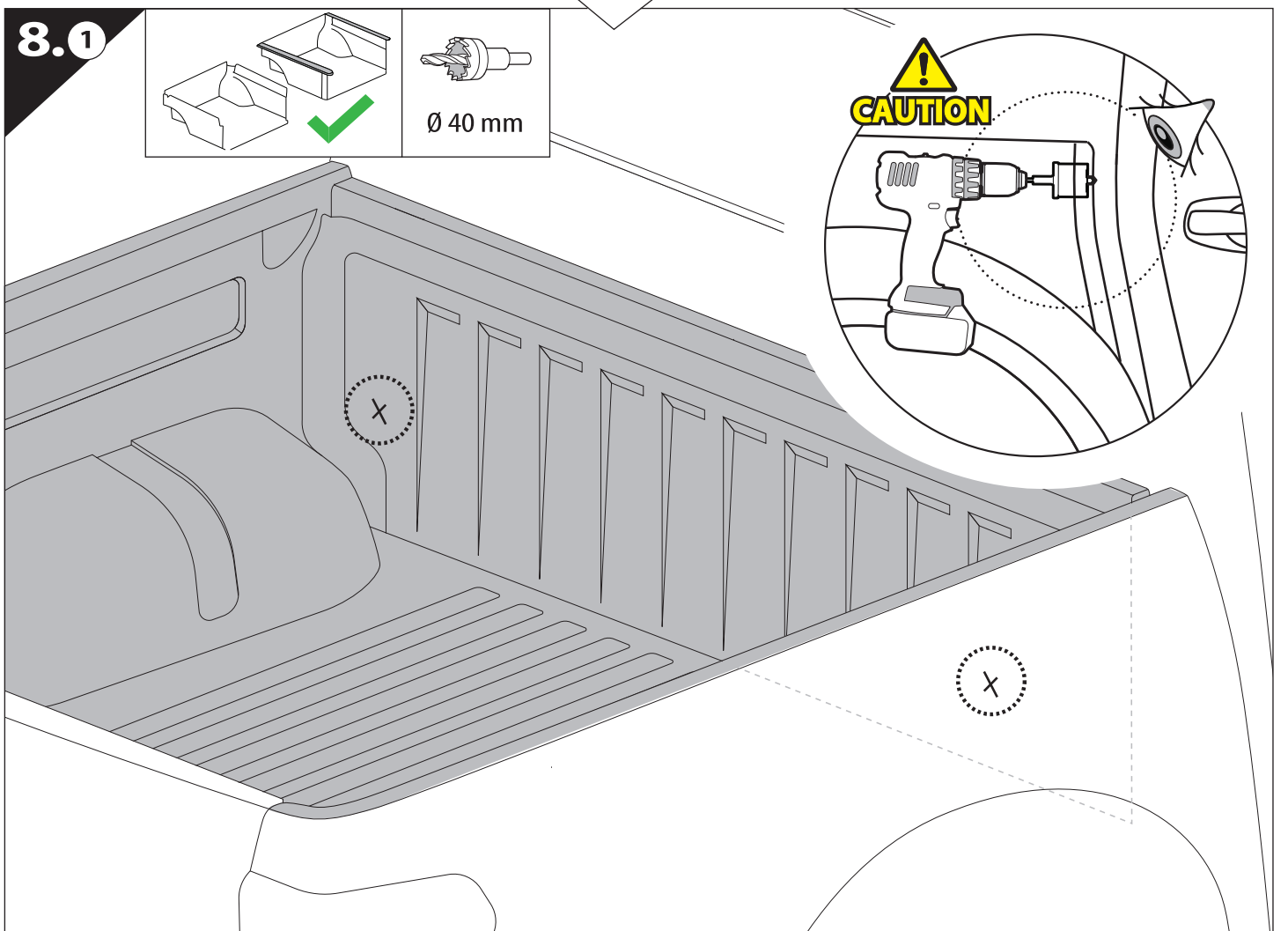
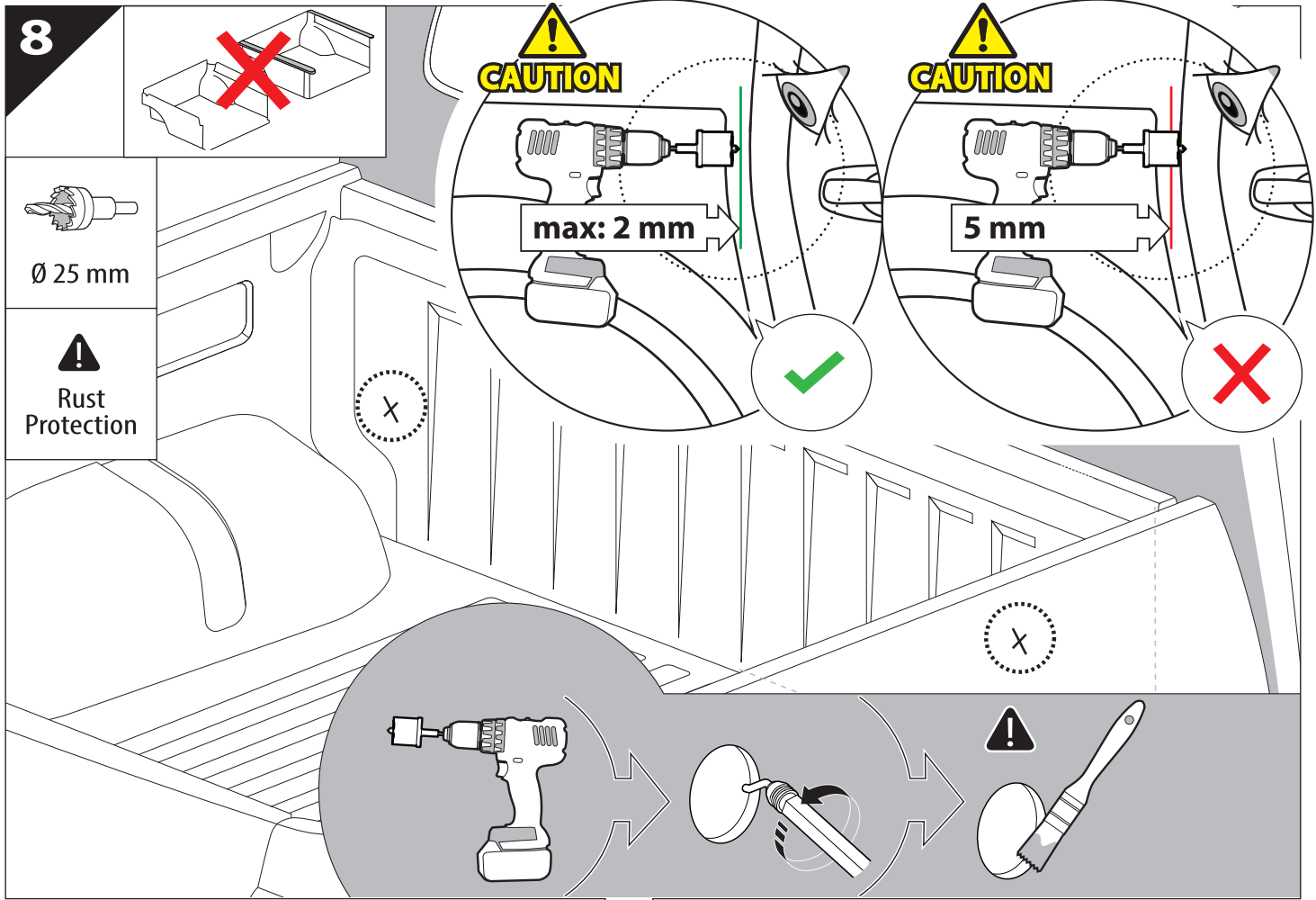


7

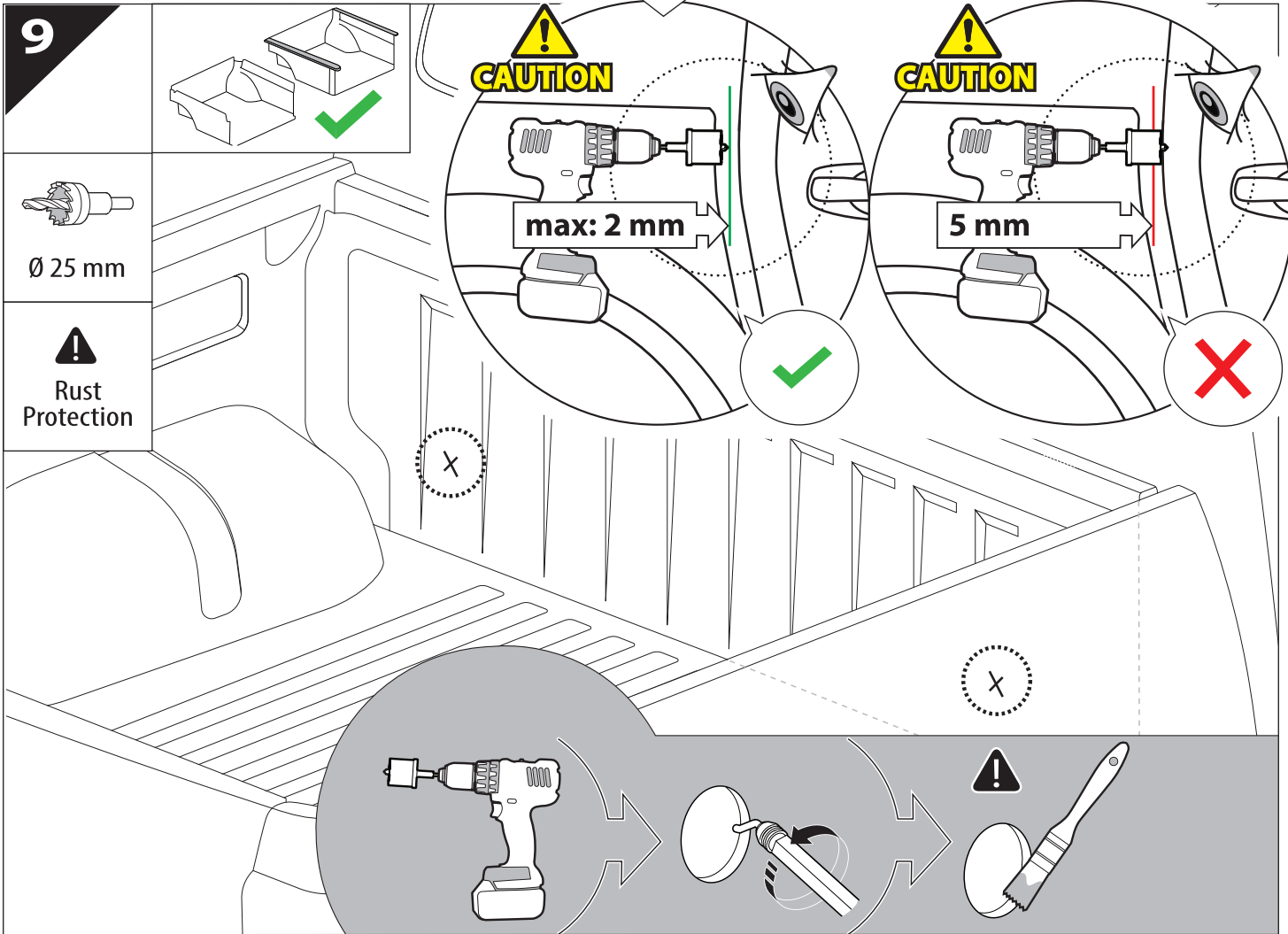
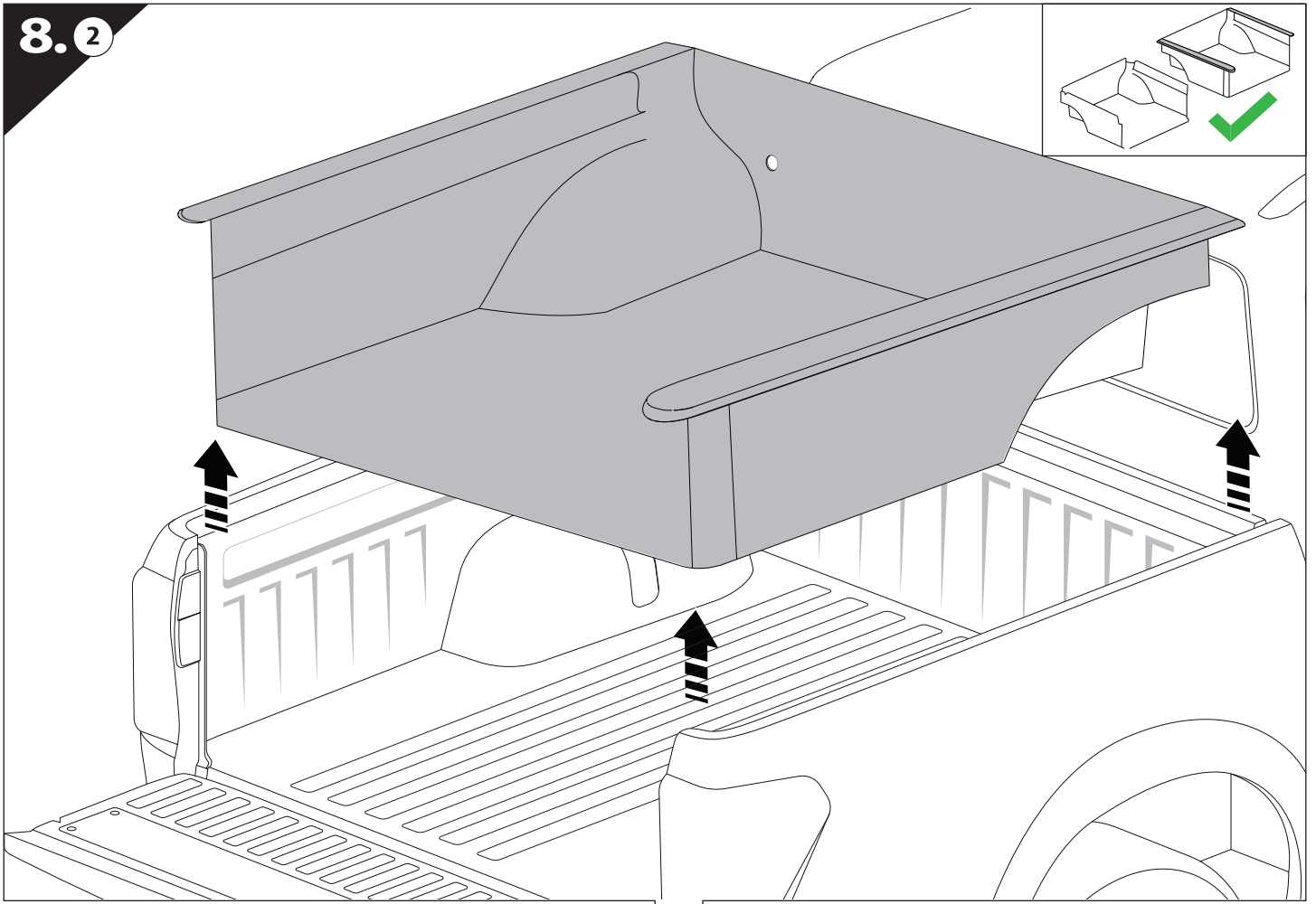
X:520mm Y:350mm



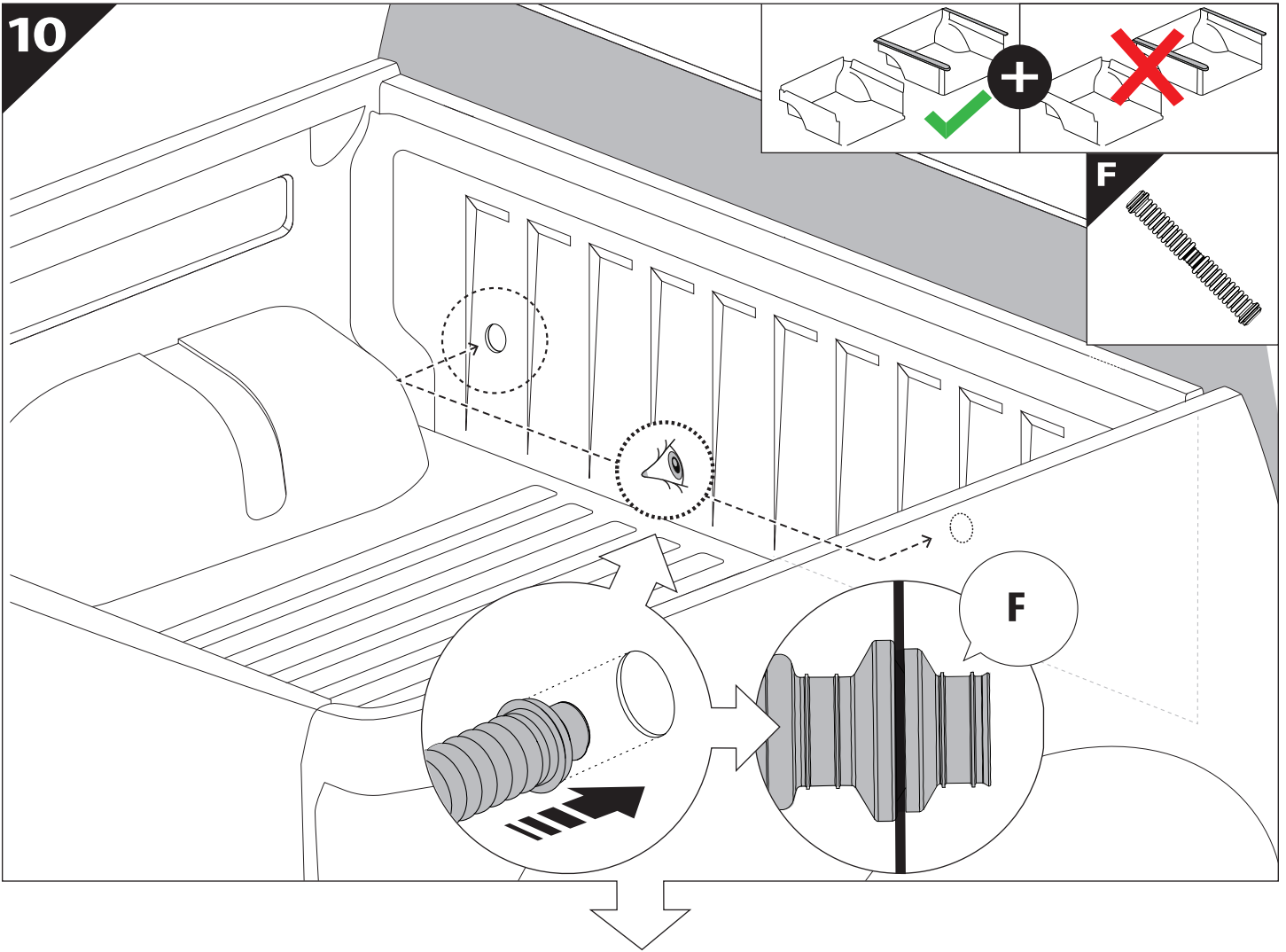
A=A'



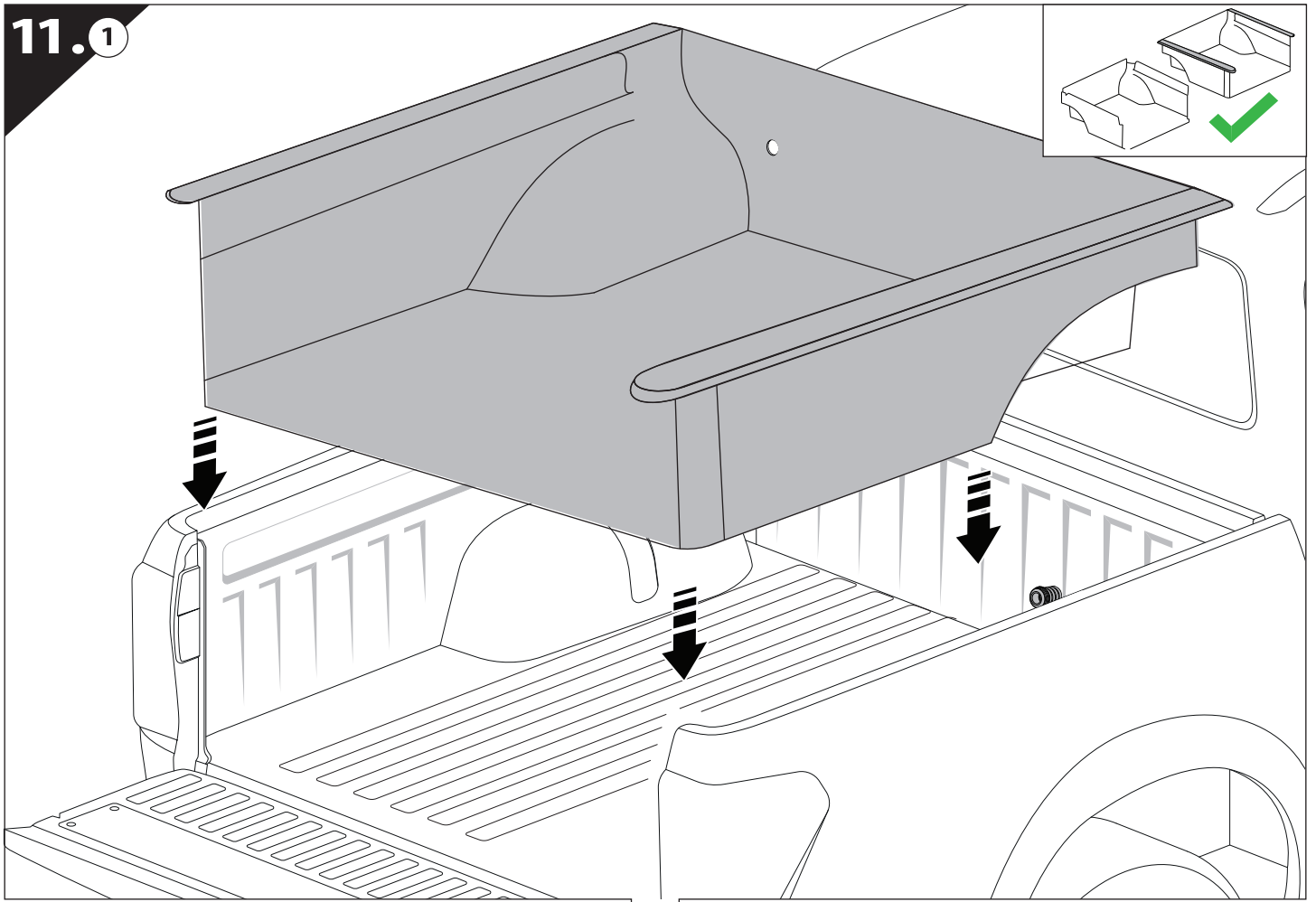
8.2



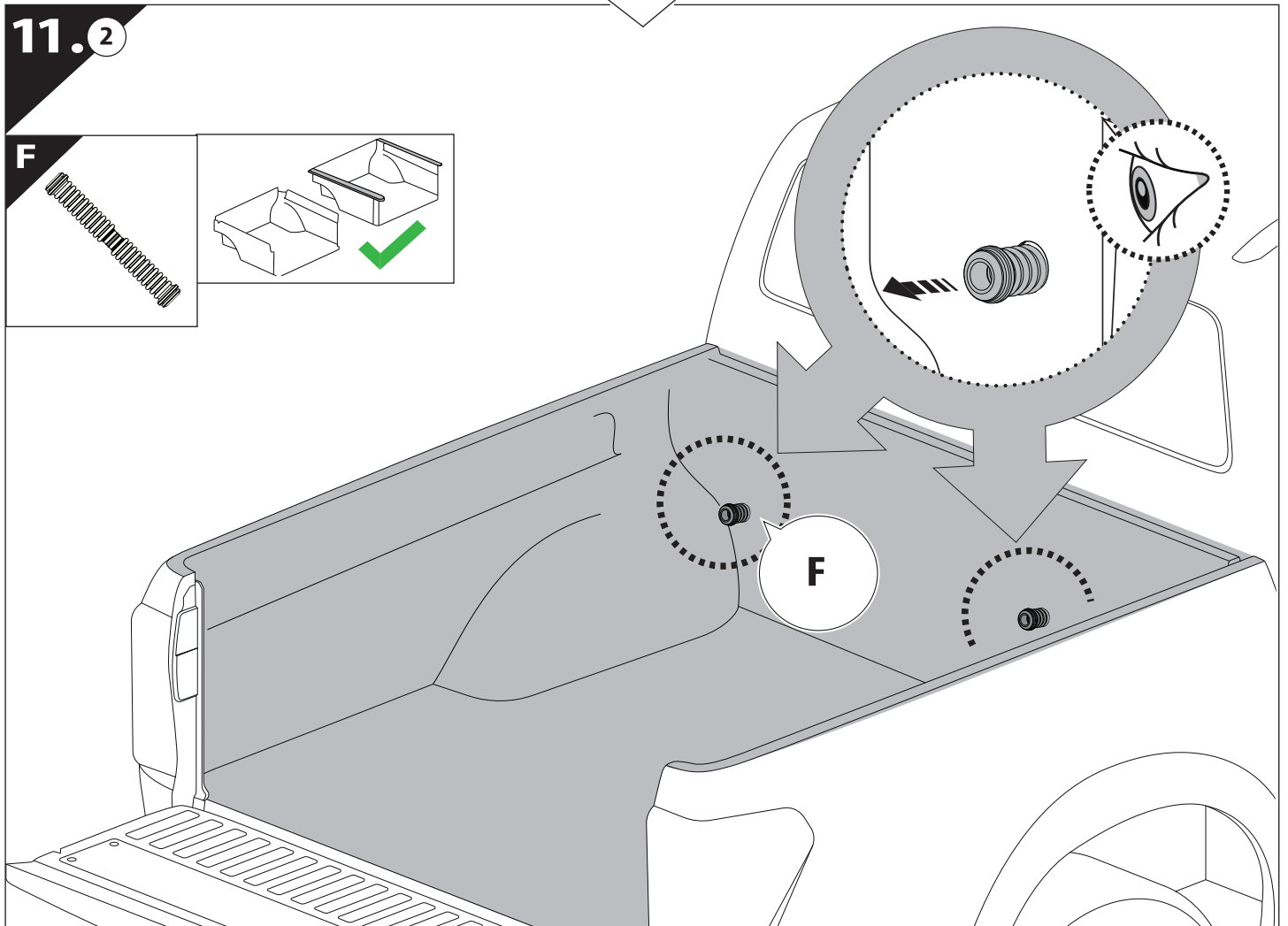
10



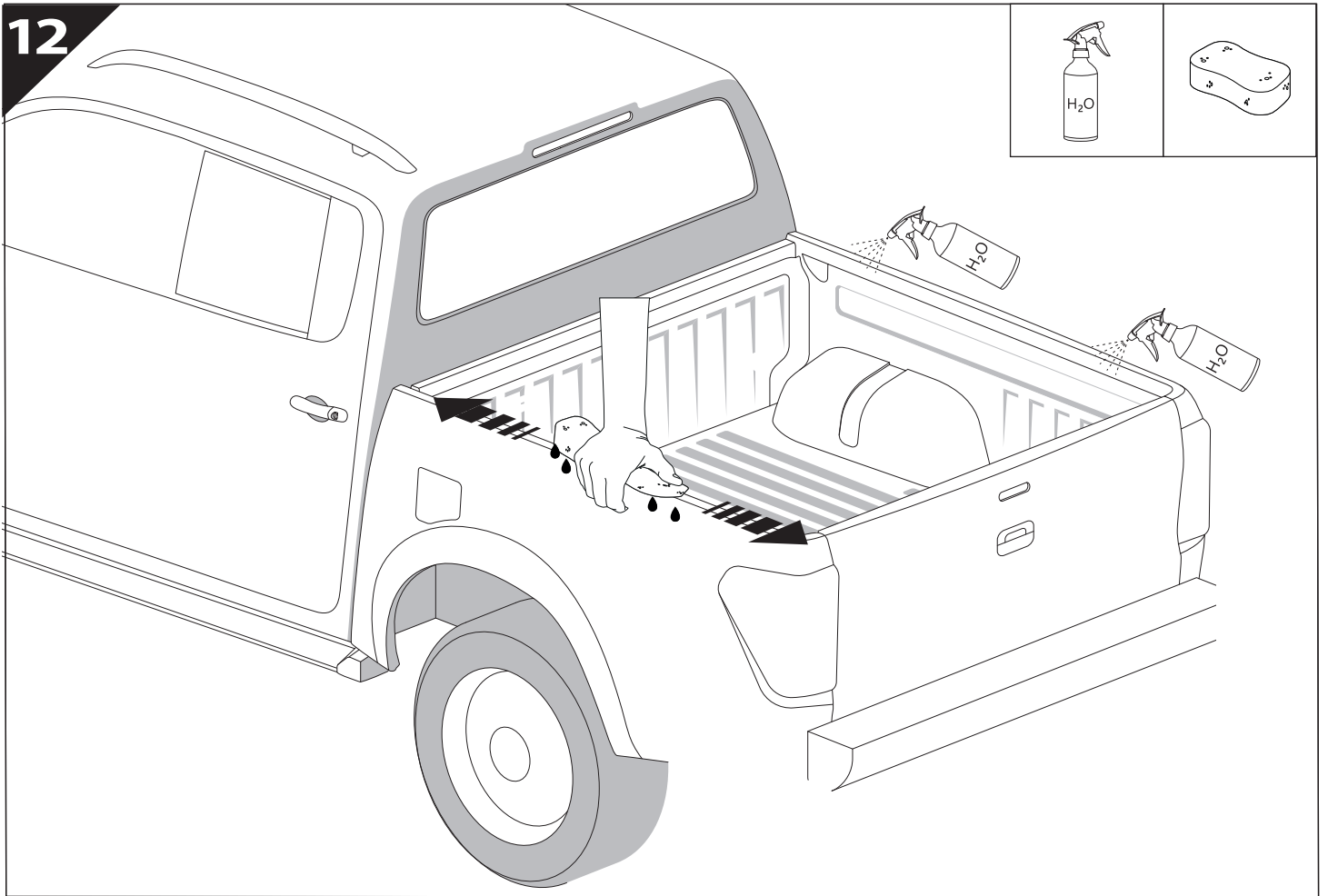
11.①



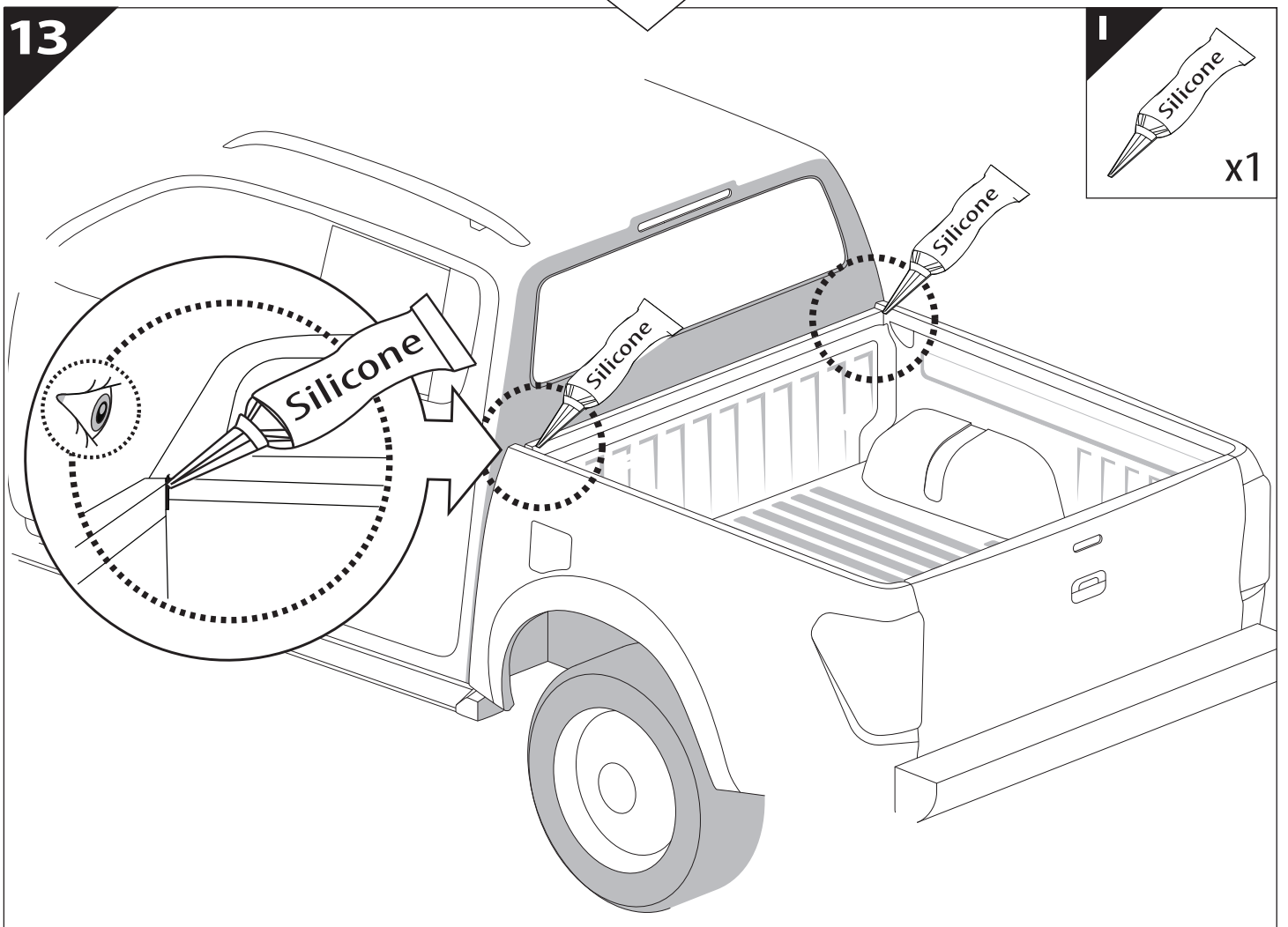
11.②

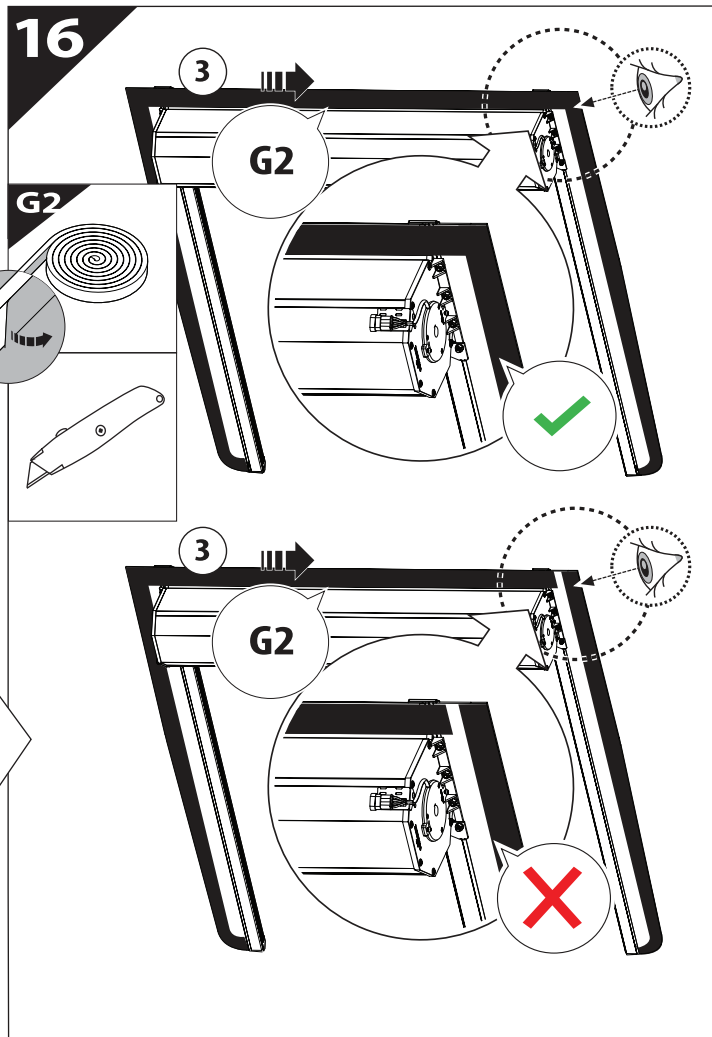
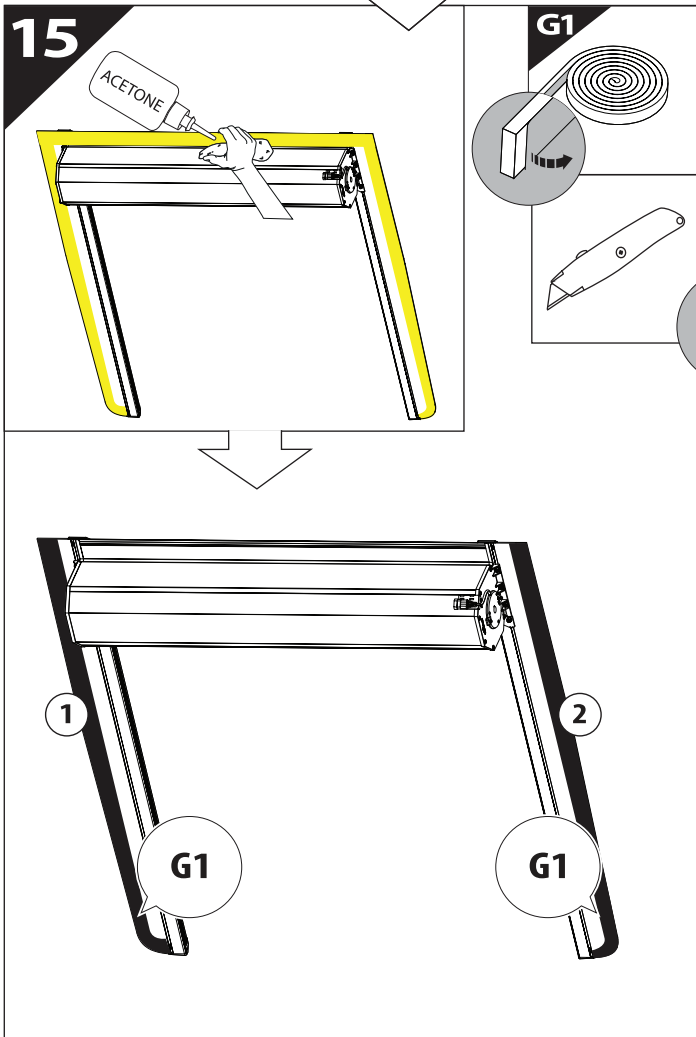
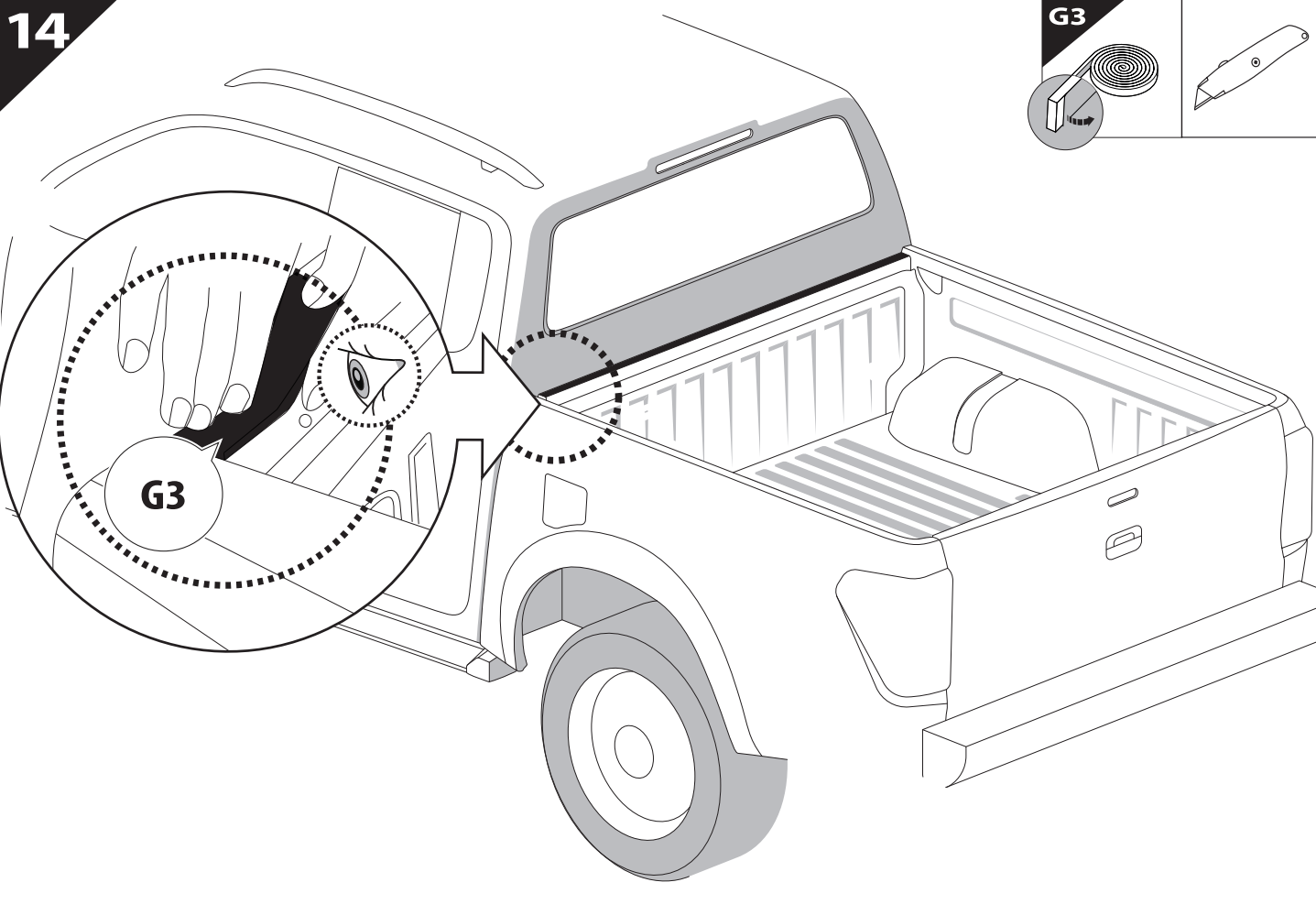


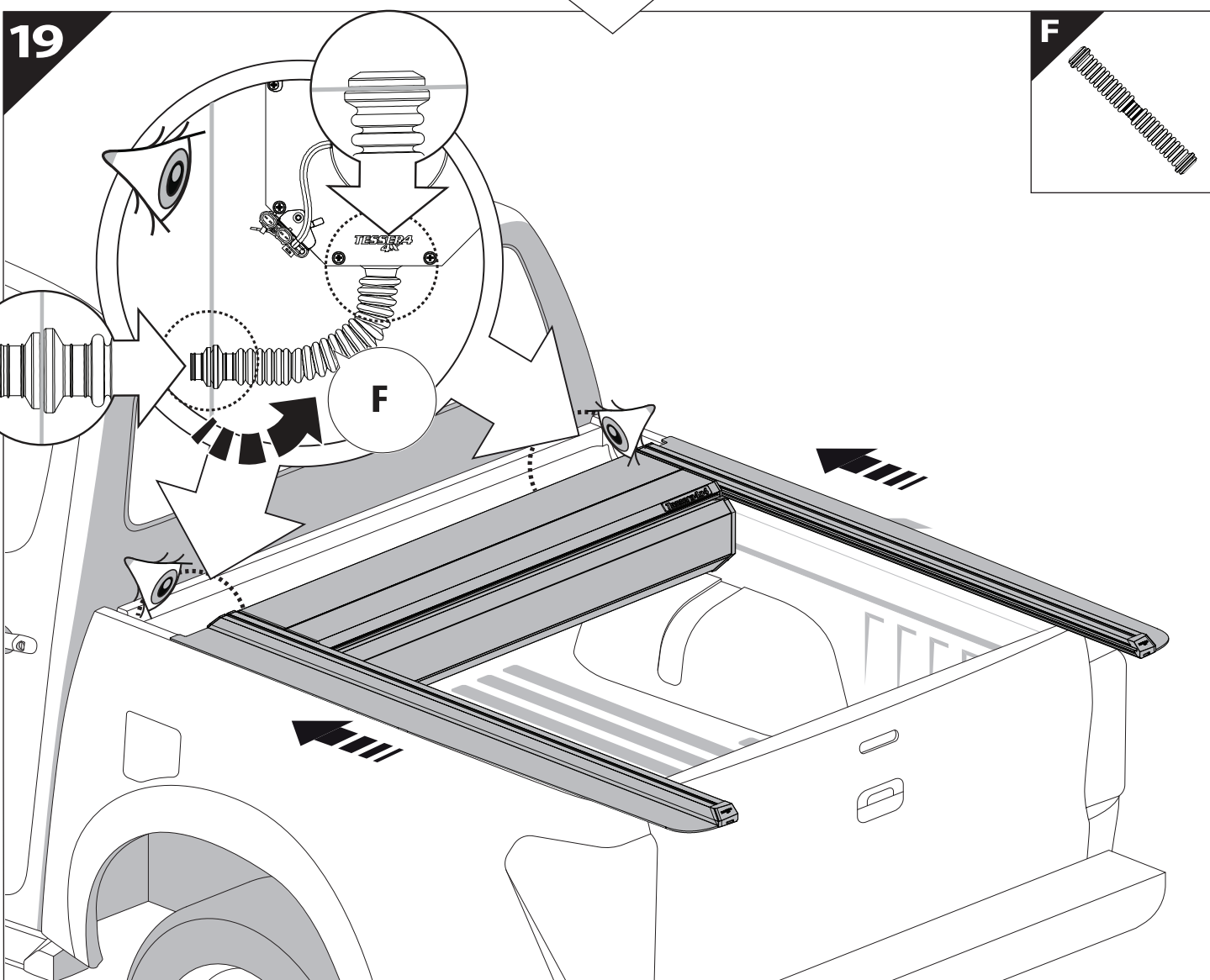
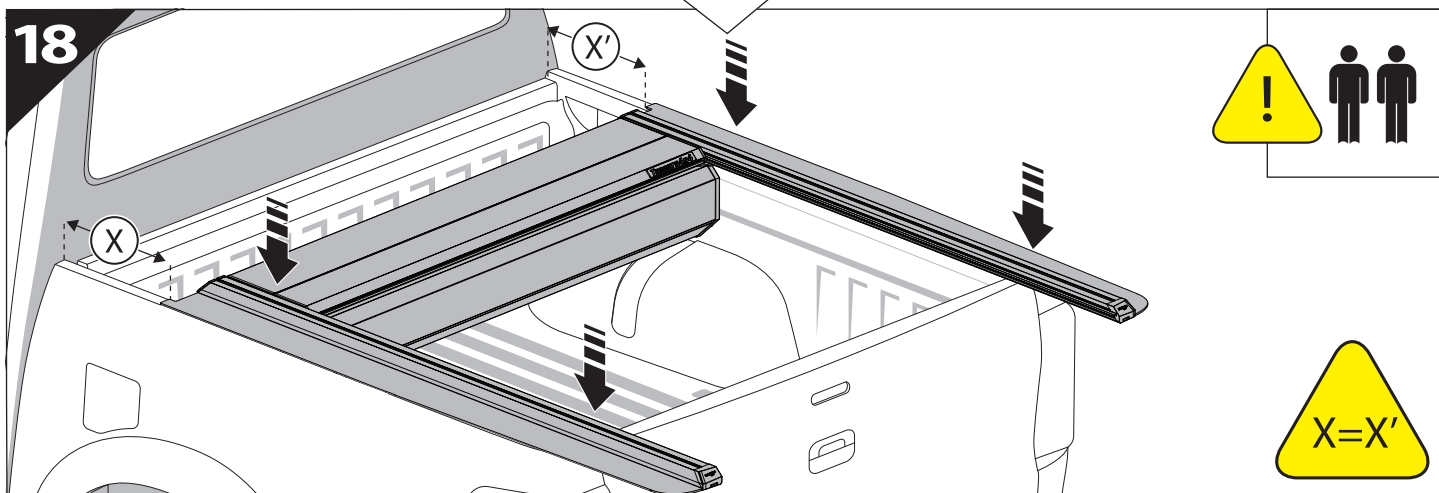
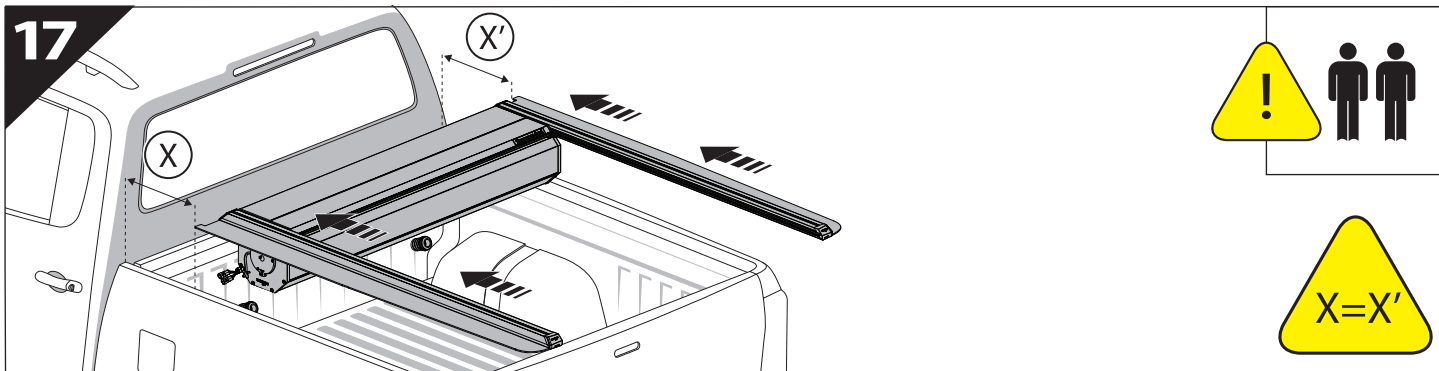
12

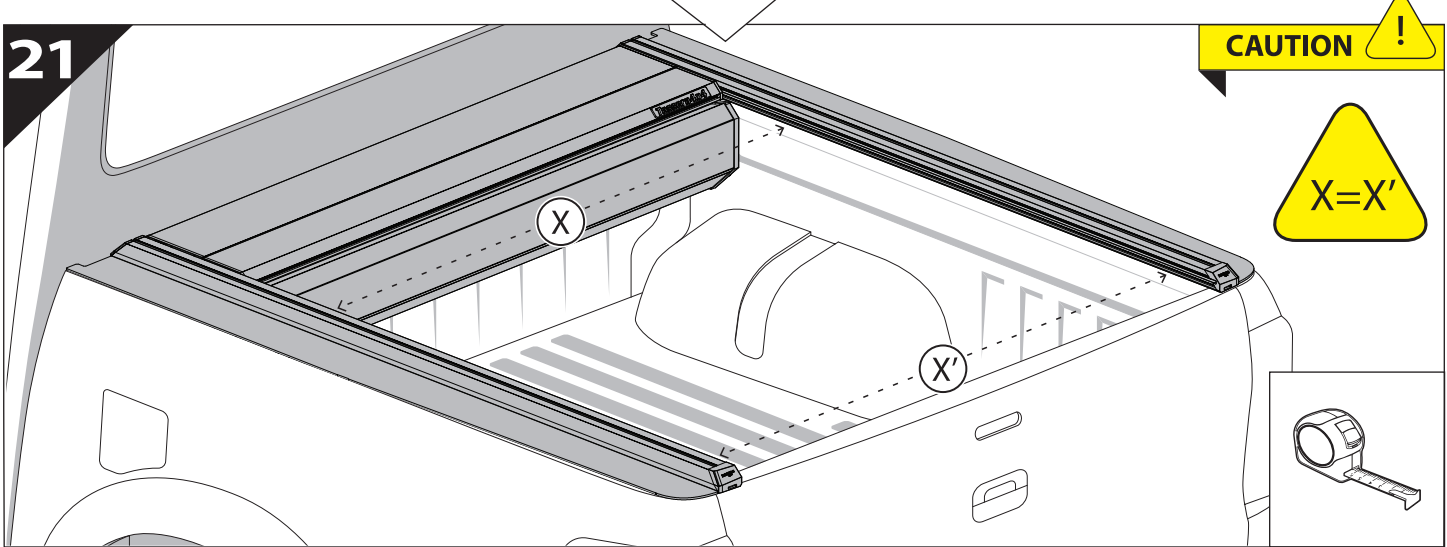
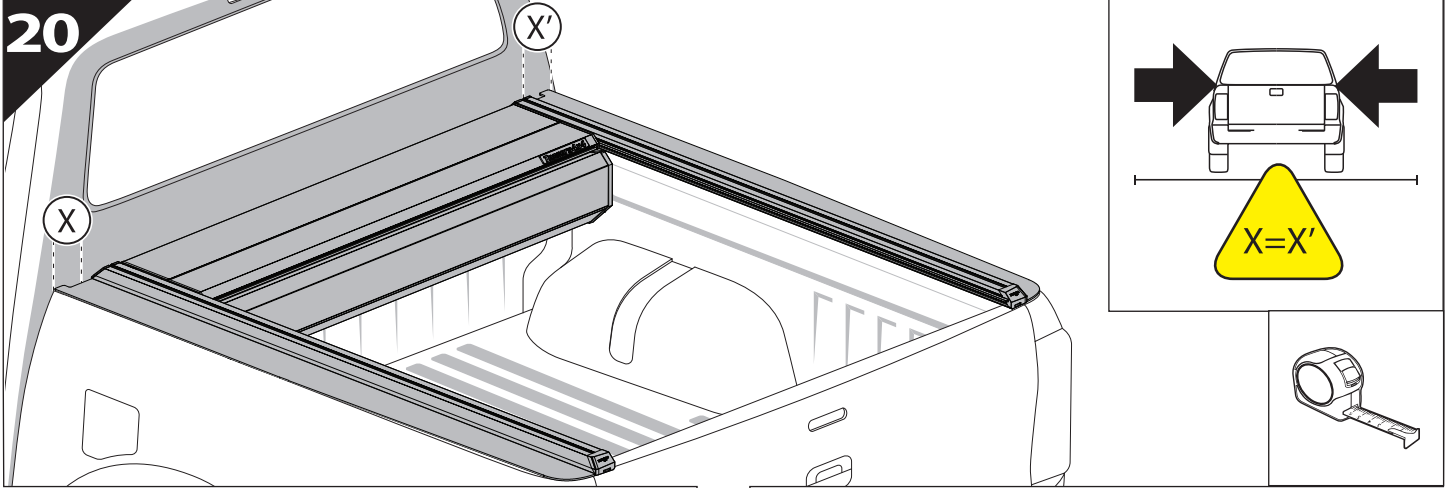


13



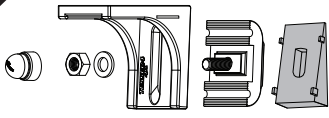




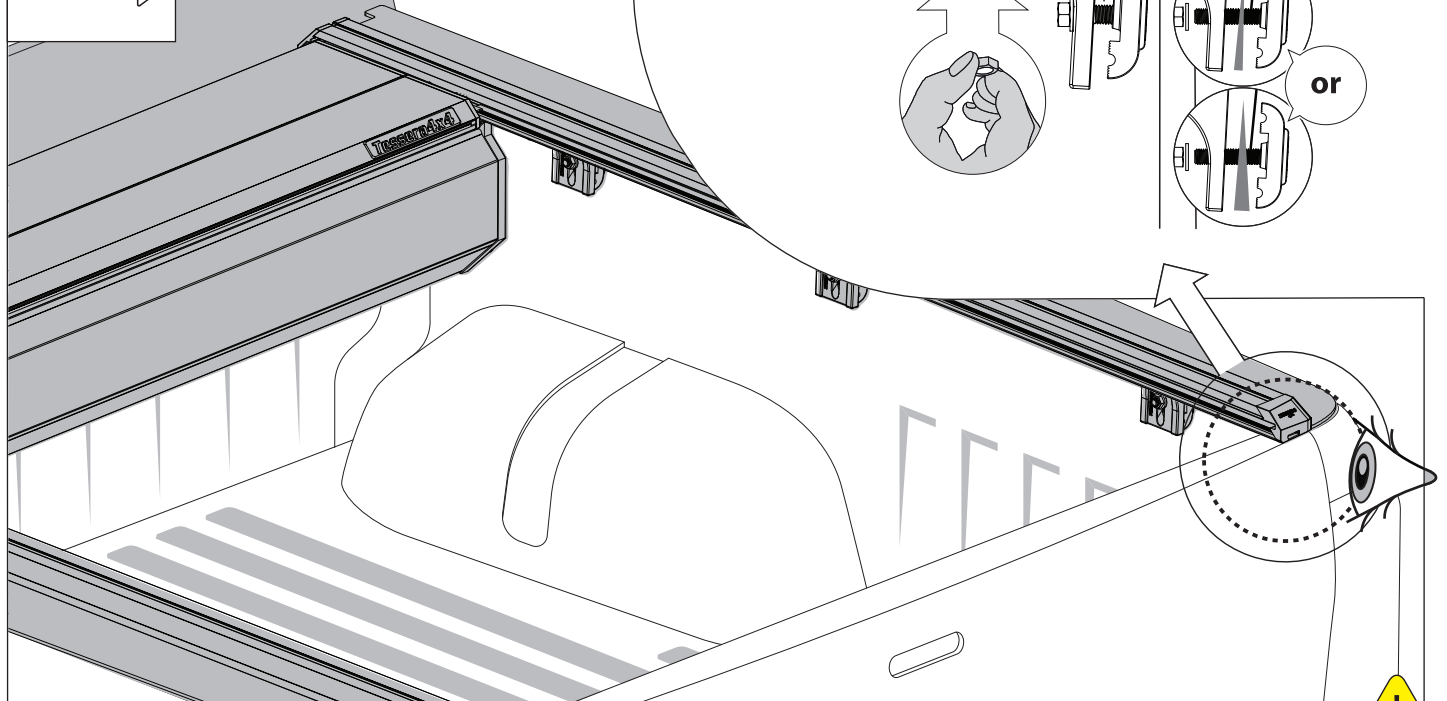
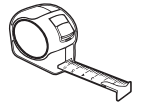
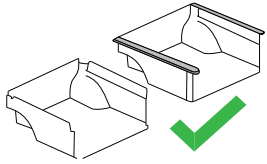
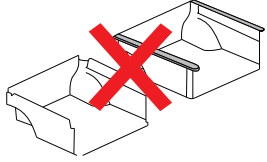
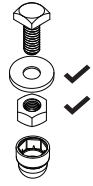


H

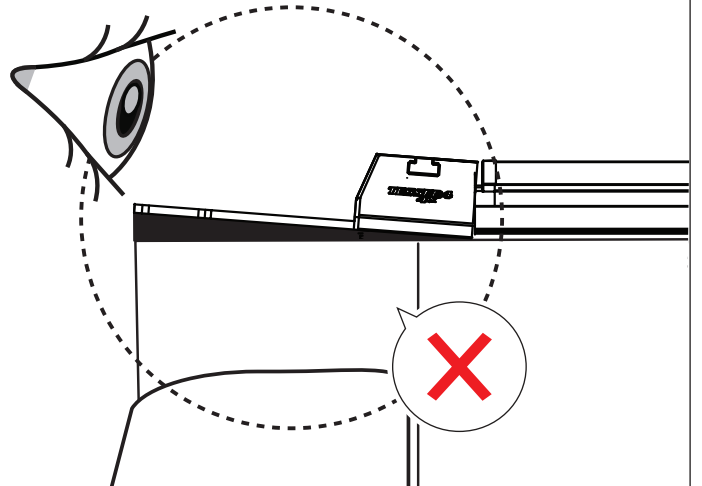
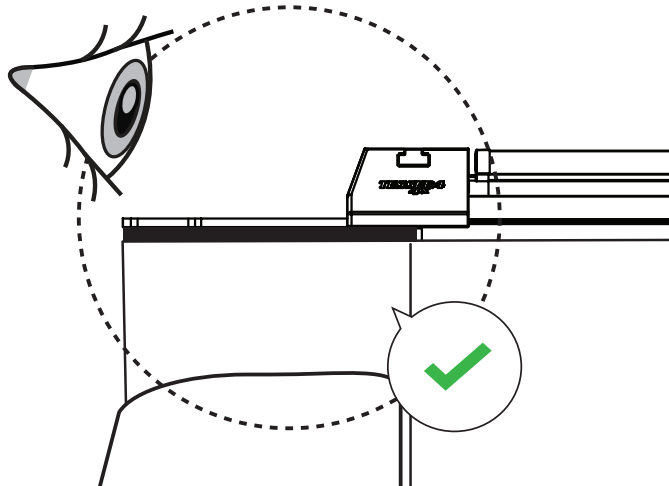
x6

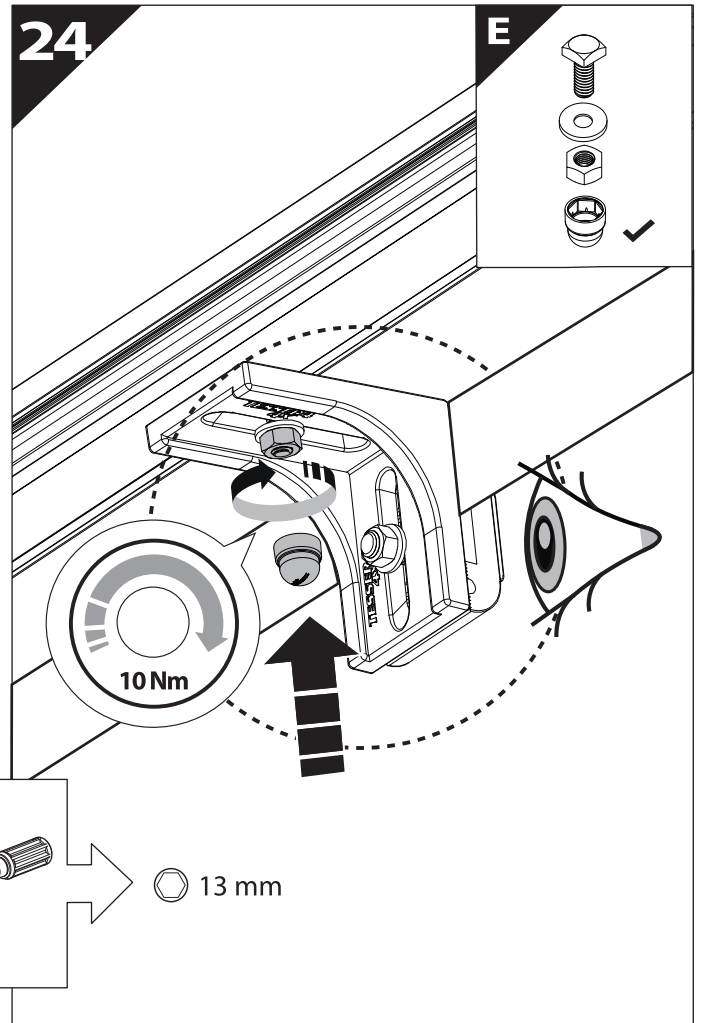
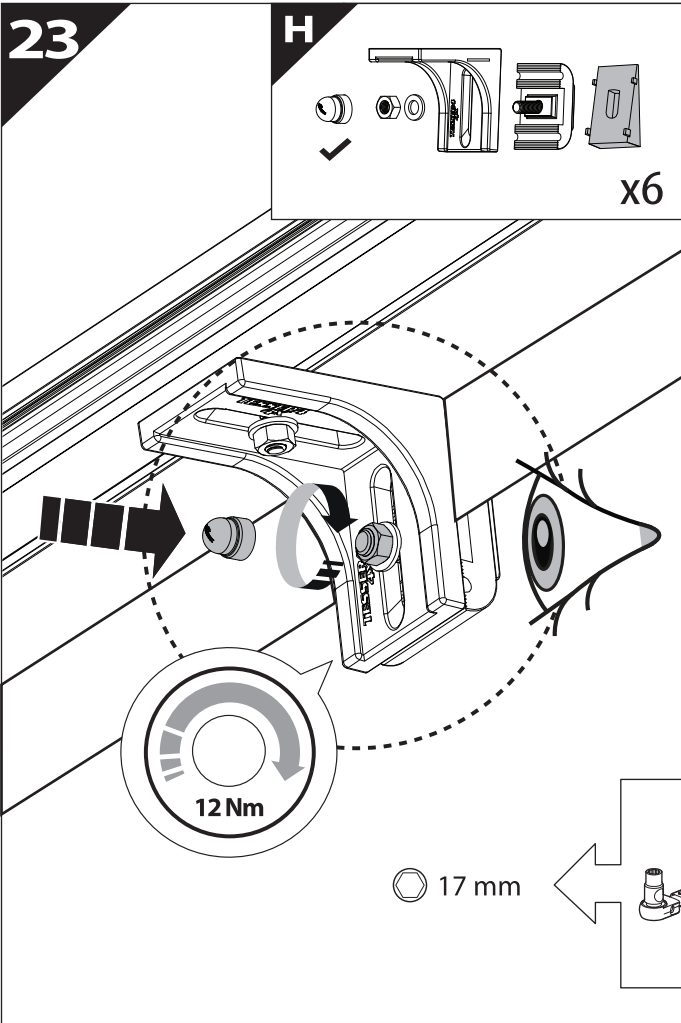


E

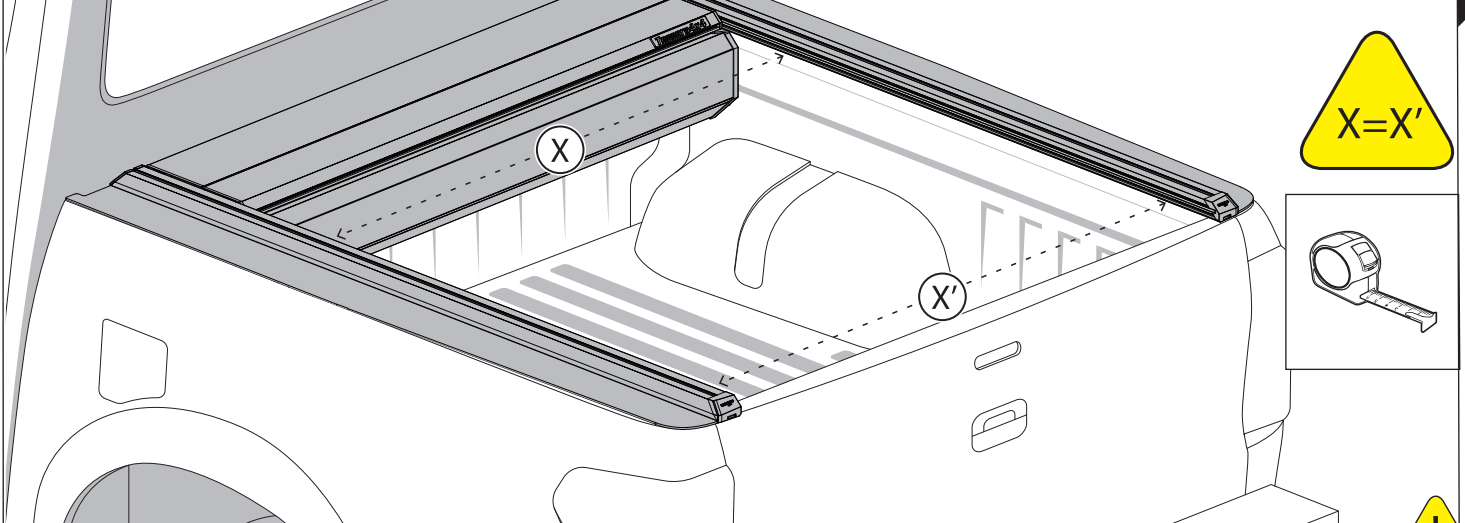


CAUTION

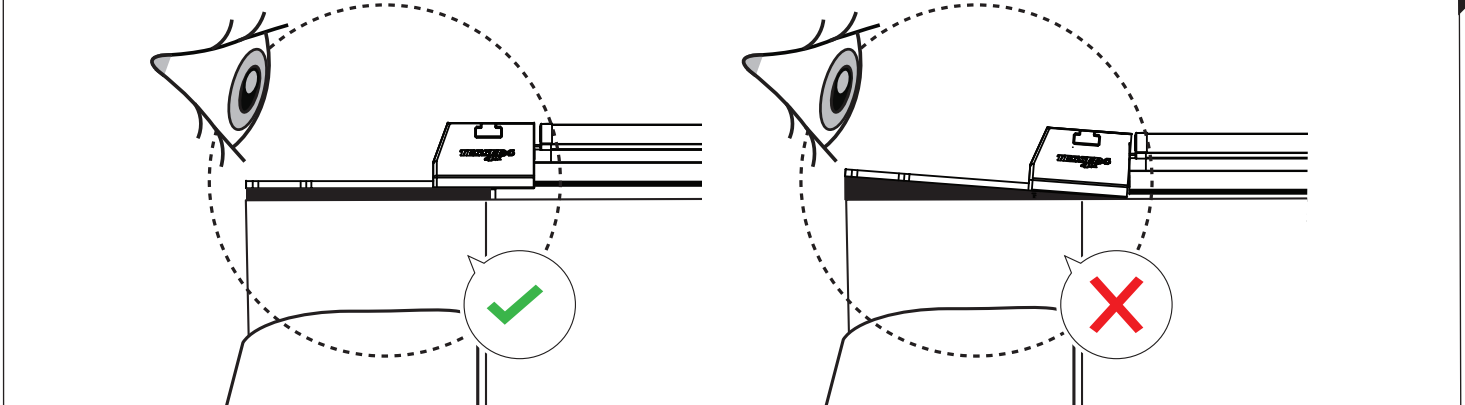


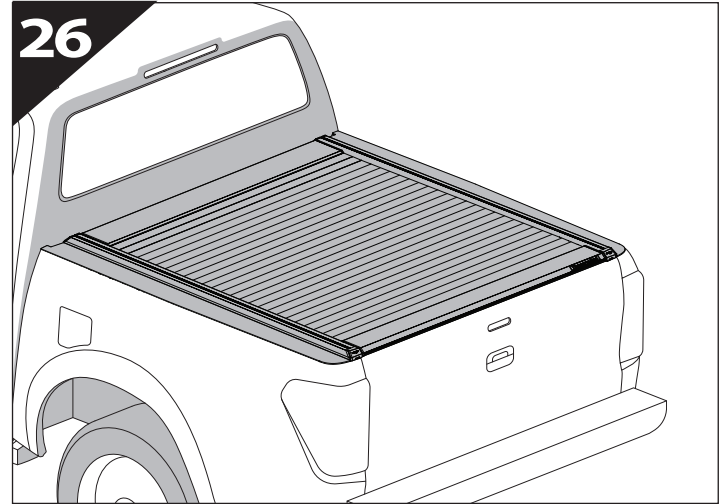
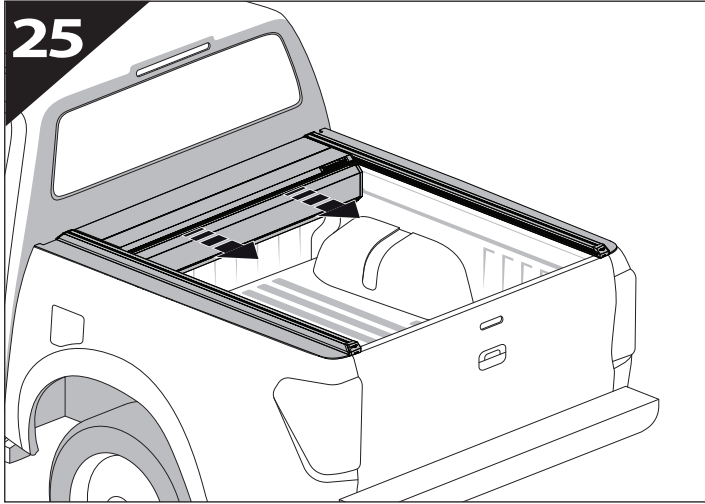


CAUTION !



CAUTION !





GR: Οδηγίες Εγκατάστασης
GB: Installation manual
SF: Asennusohje
F: Notice de montage
PL: Instrukcja montażu
NL: Installatie-instructies
TR: Montaj Talimatı
S: Monteringsanvisning
E: Instrucciones de montaje

H: Szerelési utasítás
P: Instruções de instalação
RUS: Инструкция по установке
N: Monteringsveiledning
D: Einbauanleitung
CZ: Návod k instalaci
I: Istruzioni de montaggio
DK: Monteringsvejledning
RO: Instructiuni de instalare

Customer Service:

+30 (210) 5541161, +30 (210) 5541154 (08:00 - 16:00 EET)

Support department:

info@gianso.gr

Website:

www.tessera4x4.com

Address:

19.5 km of National road Athens-Korinthos (Elefsina) Greece, P.C: 19200