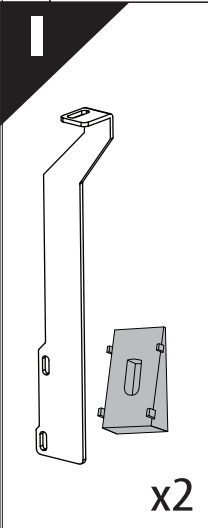
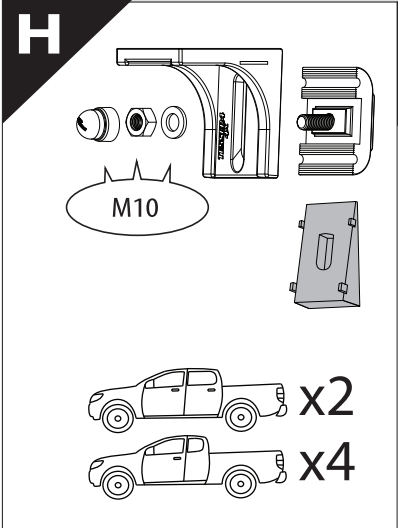
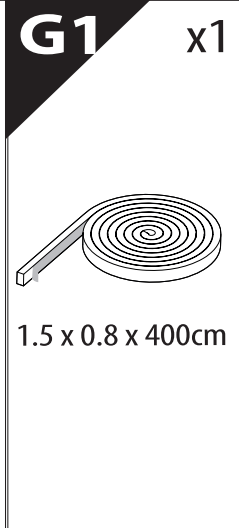
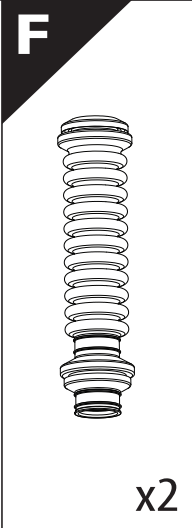
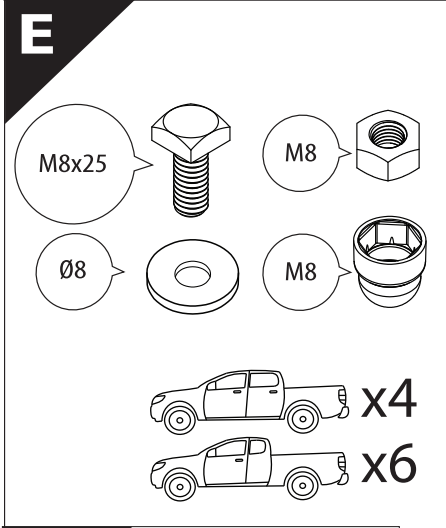
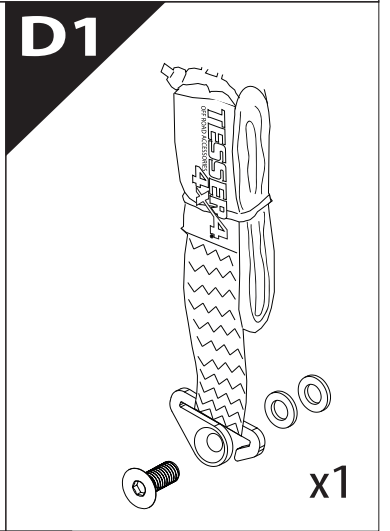
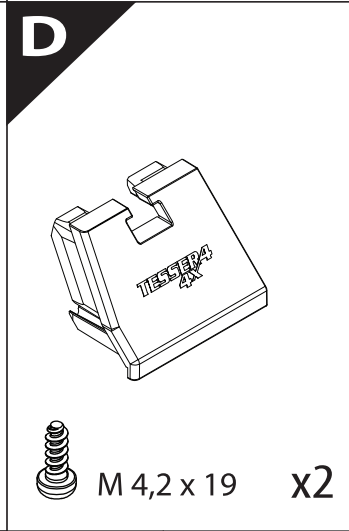
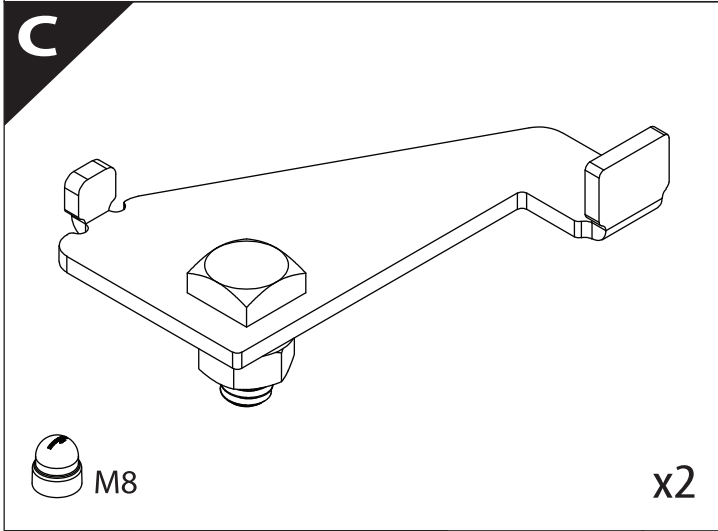
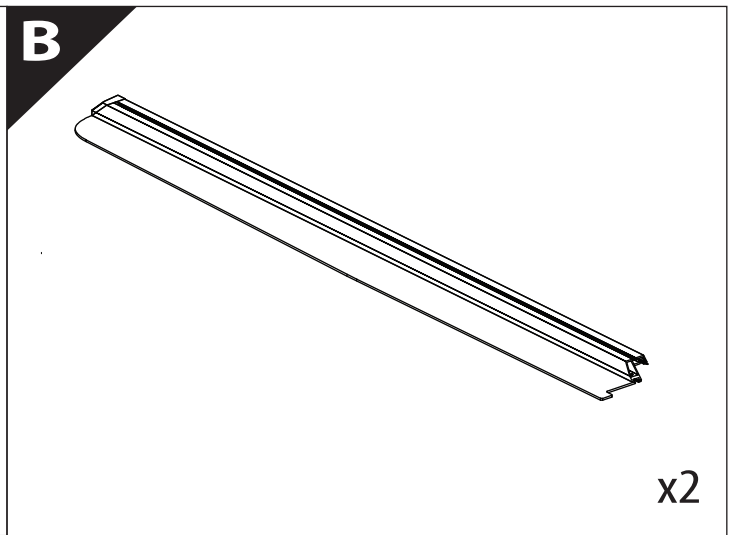
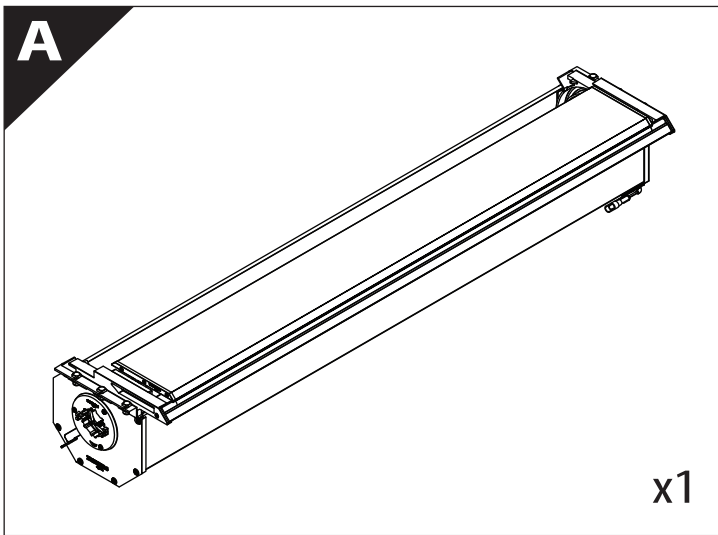
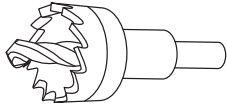


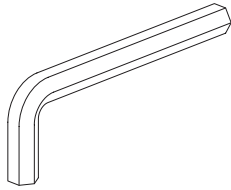
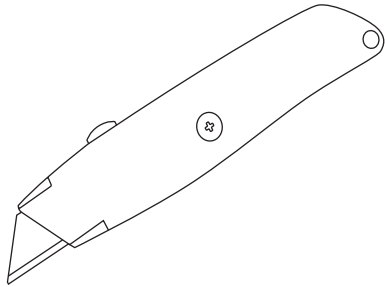
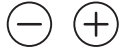
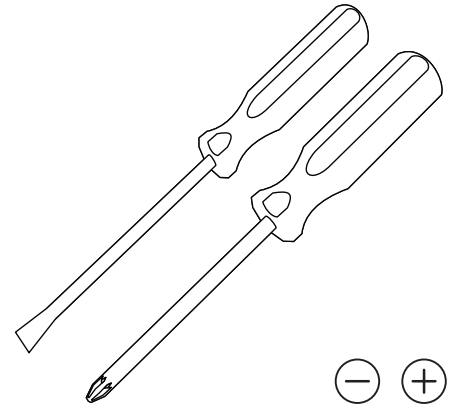
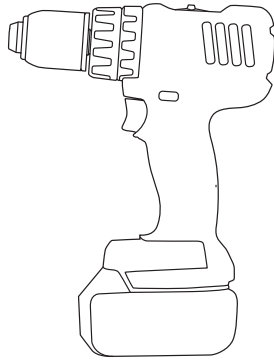
Installation Manual

PART NUMBER(S)	Model Year
TESS 1506 SE + ADAPT 008	FORD RANGER 2012+ / 2016+ / 2020+ WITH OEM ROLL BAR
TESS 1507 SE + ADAPT 008	
Cab(s)	Installation Time / Weight
Double Cab & Space cab	40-60 minutes / 53-57 kg



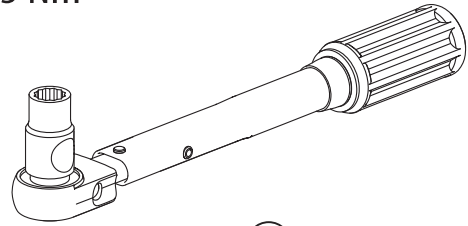


Ø 25 mm / Ø 40 mm



4 mm

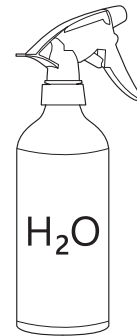
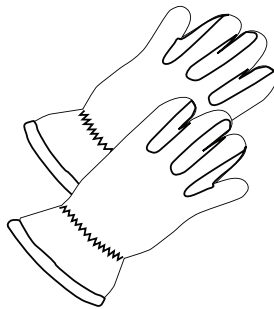
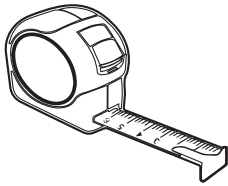
1 - 25 Nm



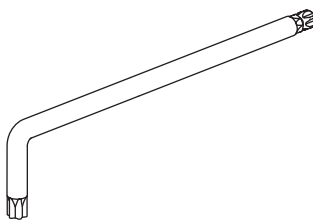
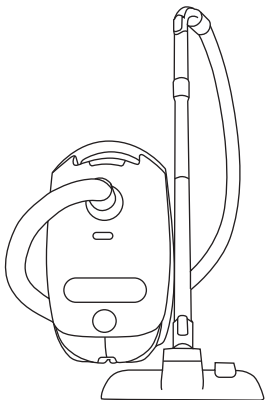
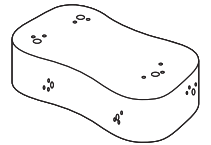
13, 17 mm



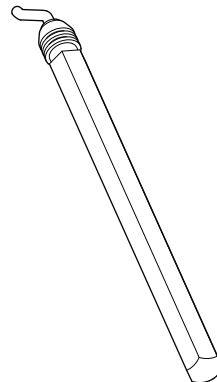
ACETONE



H₂O



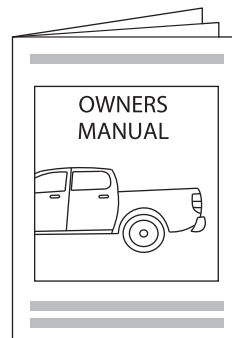
T40



ANTI-RUST

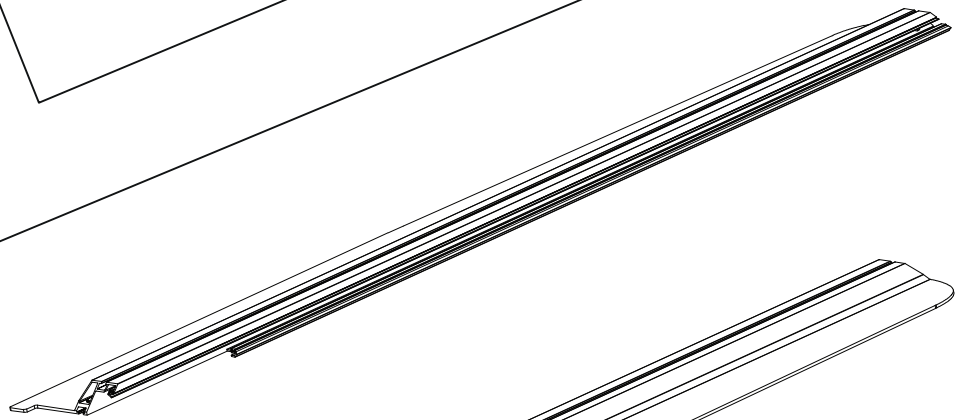
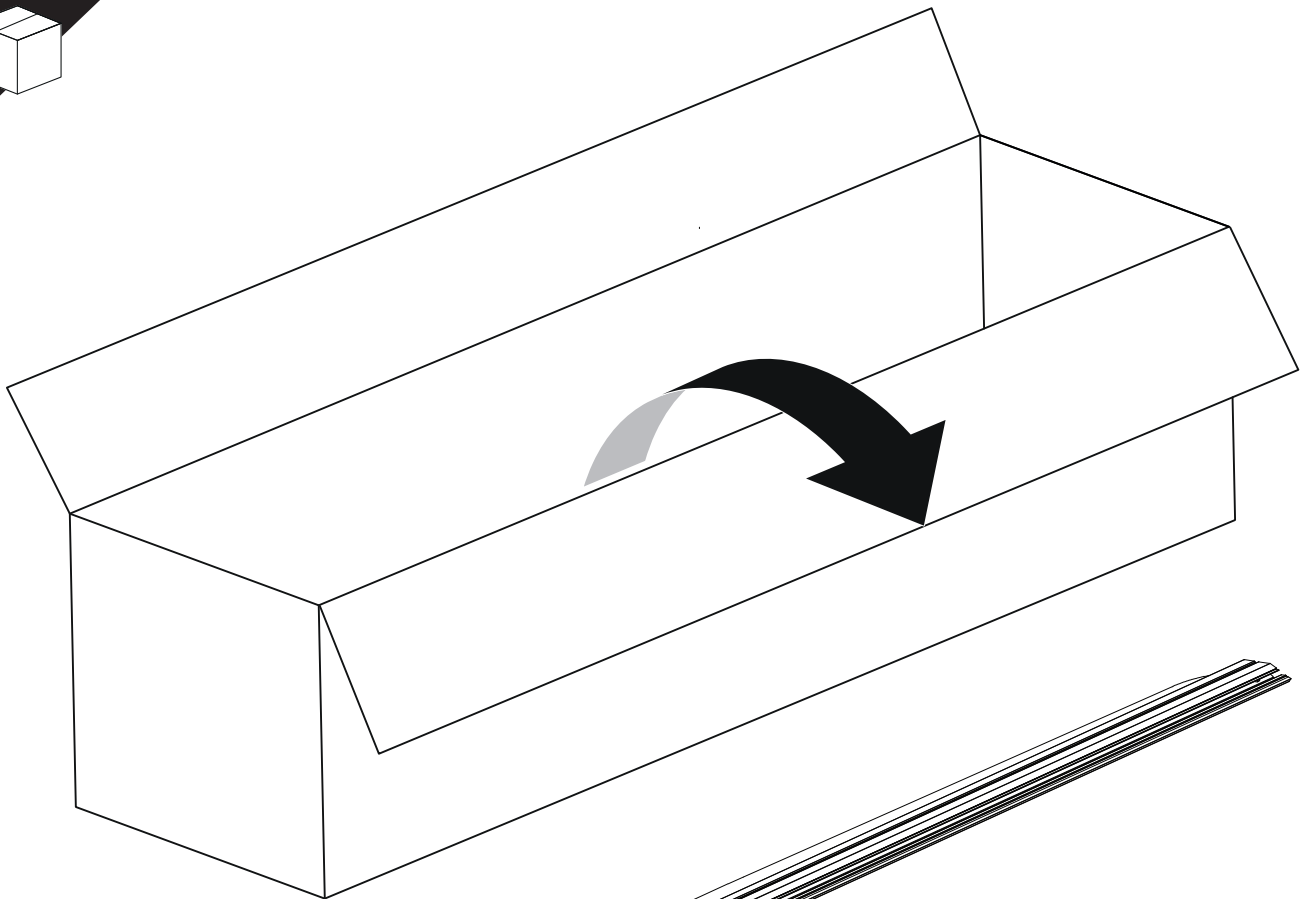


INSTALLATION
MANUAL

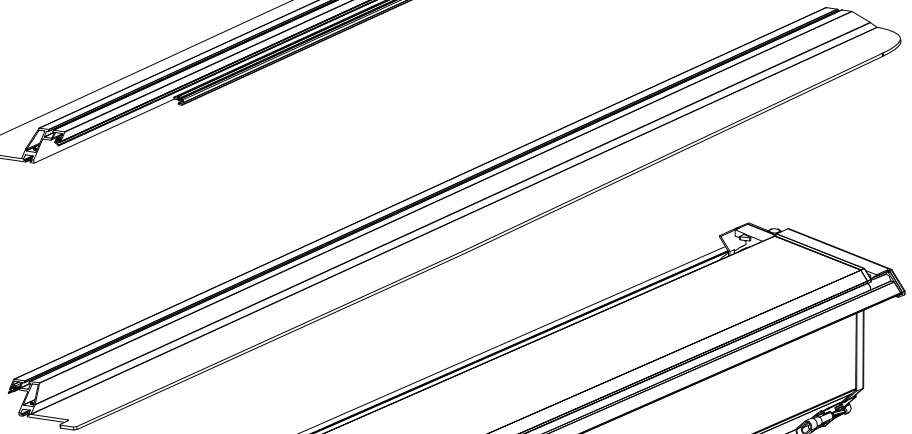


OWNERS
MANUAL

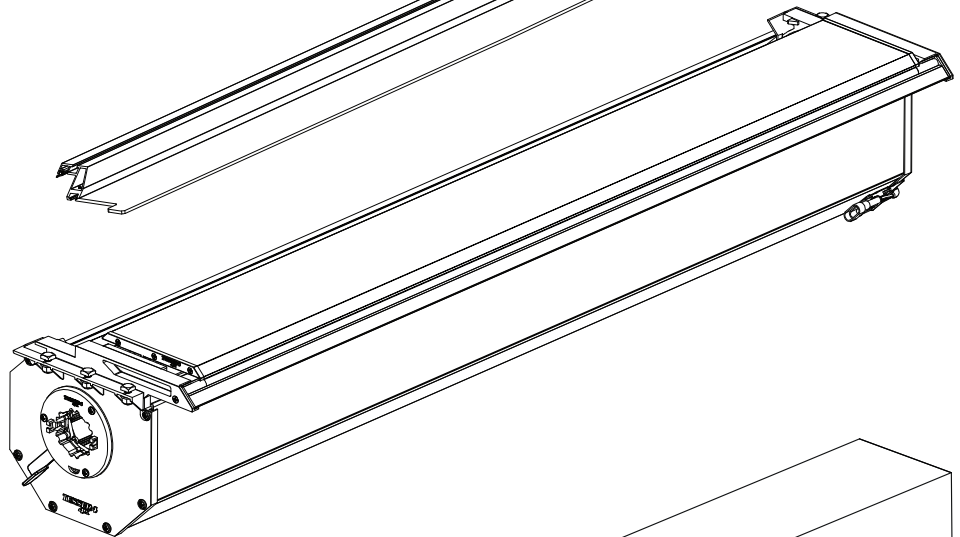
x1



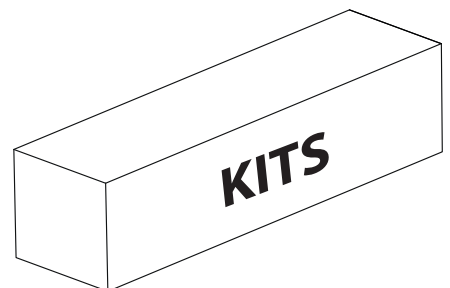
B



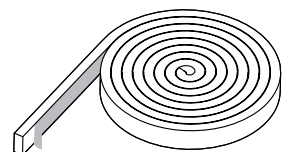
A

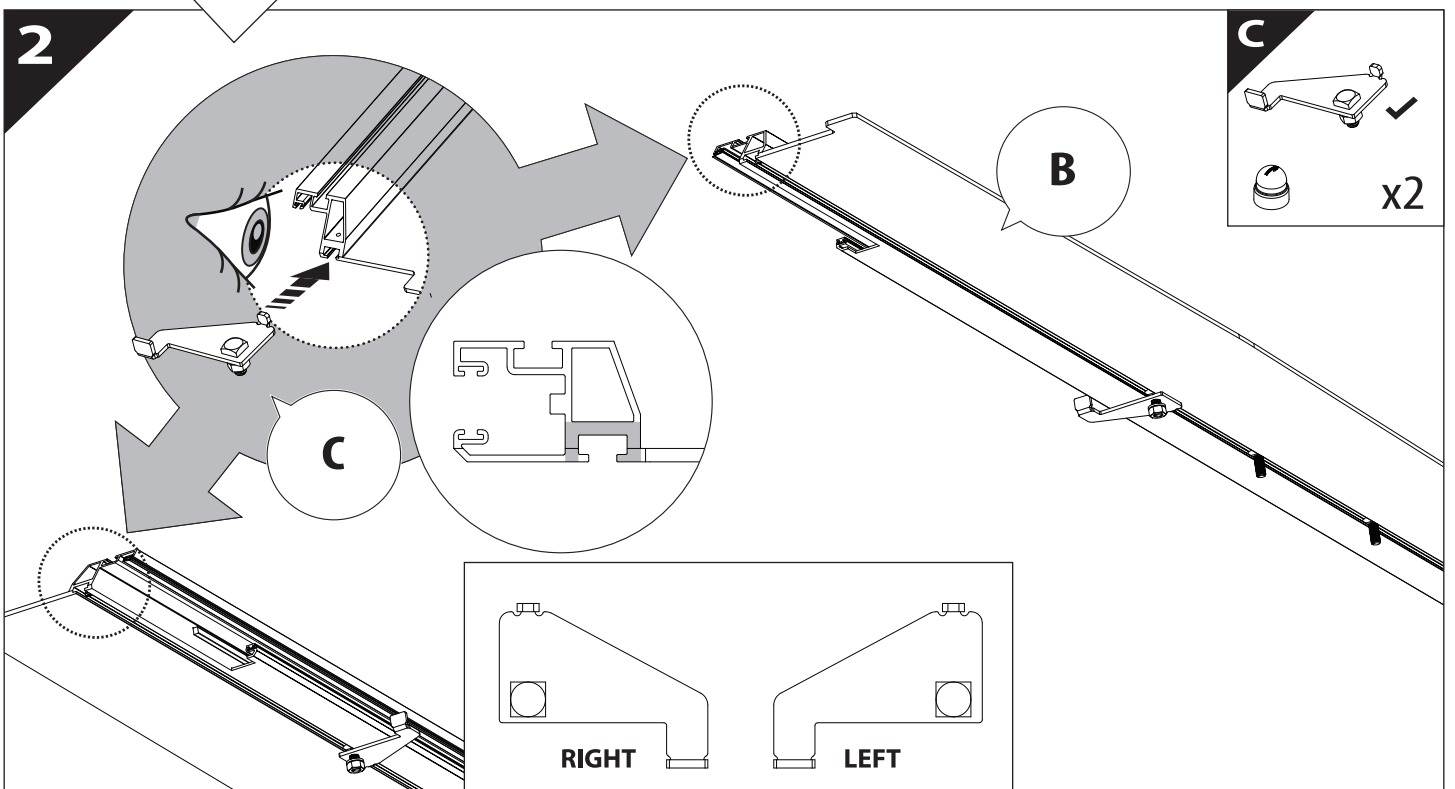
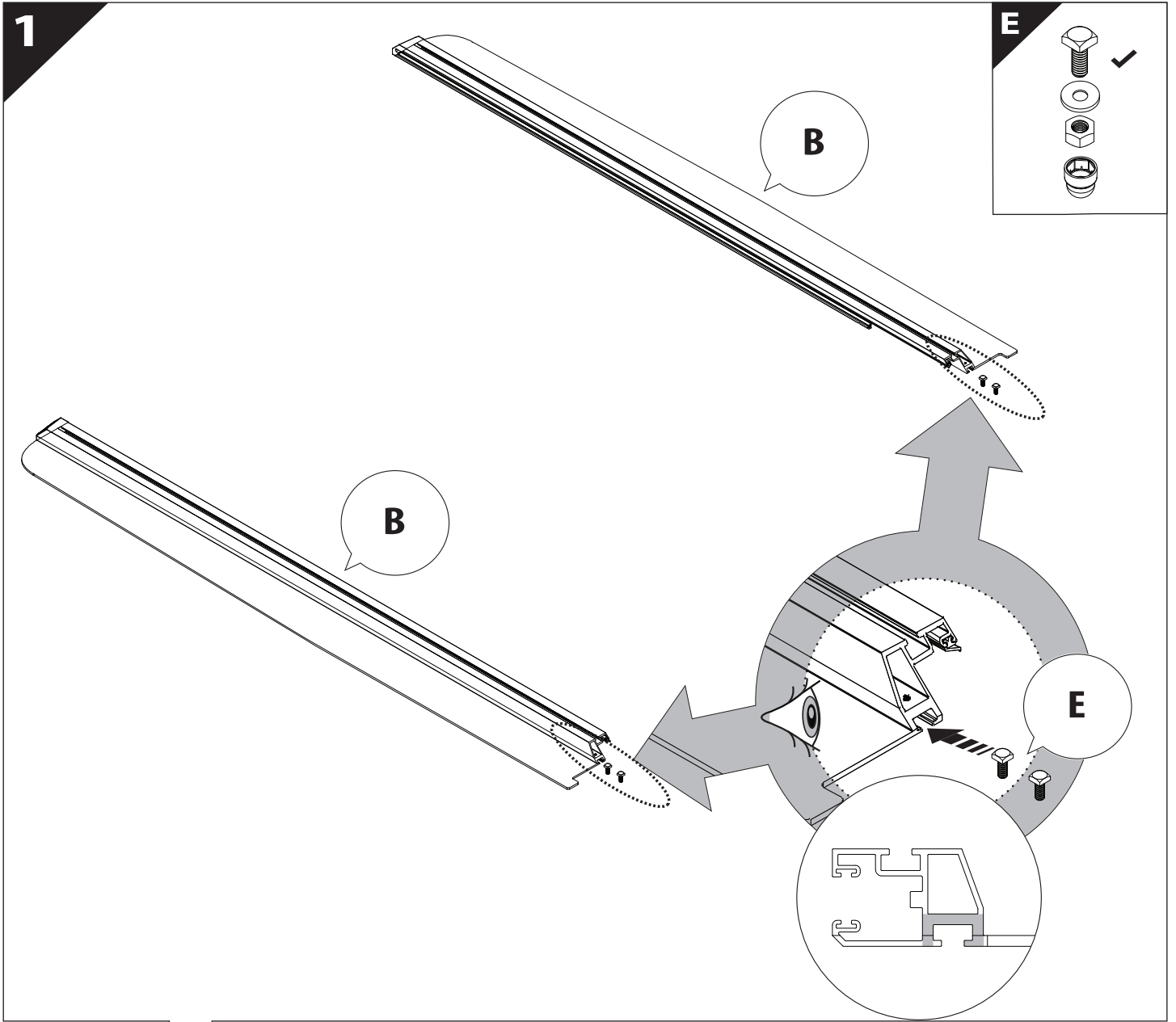


KITS

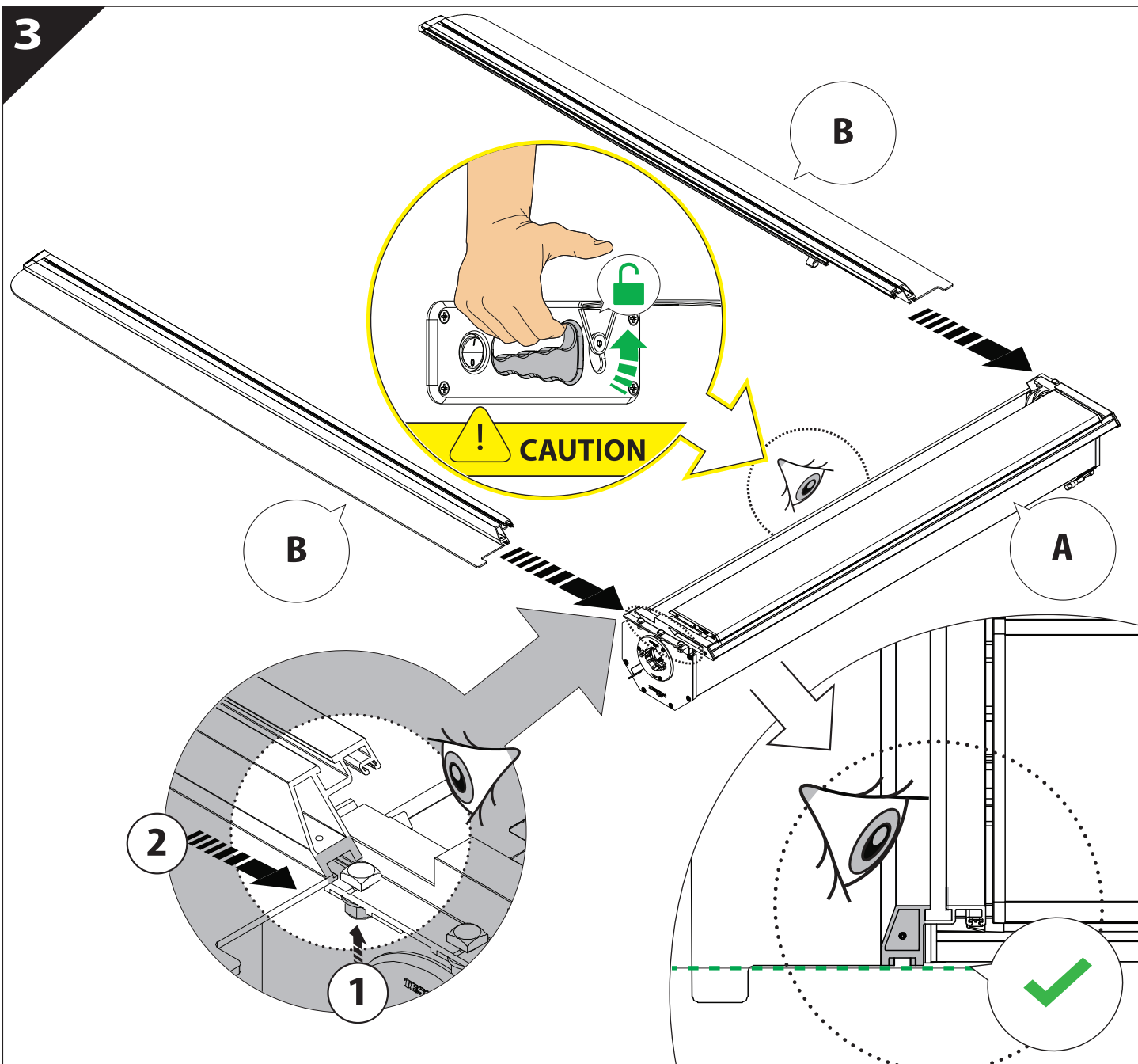


G

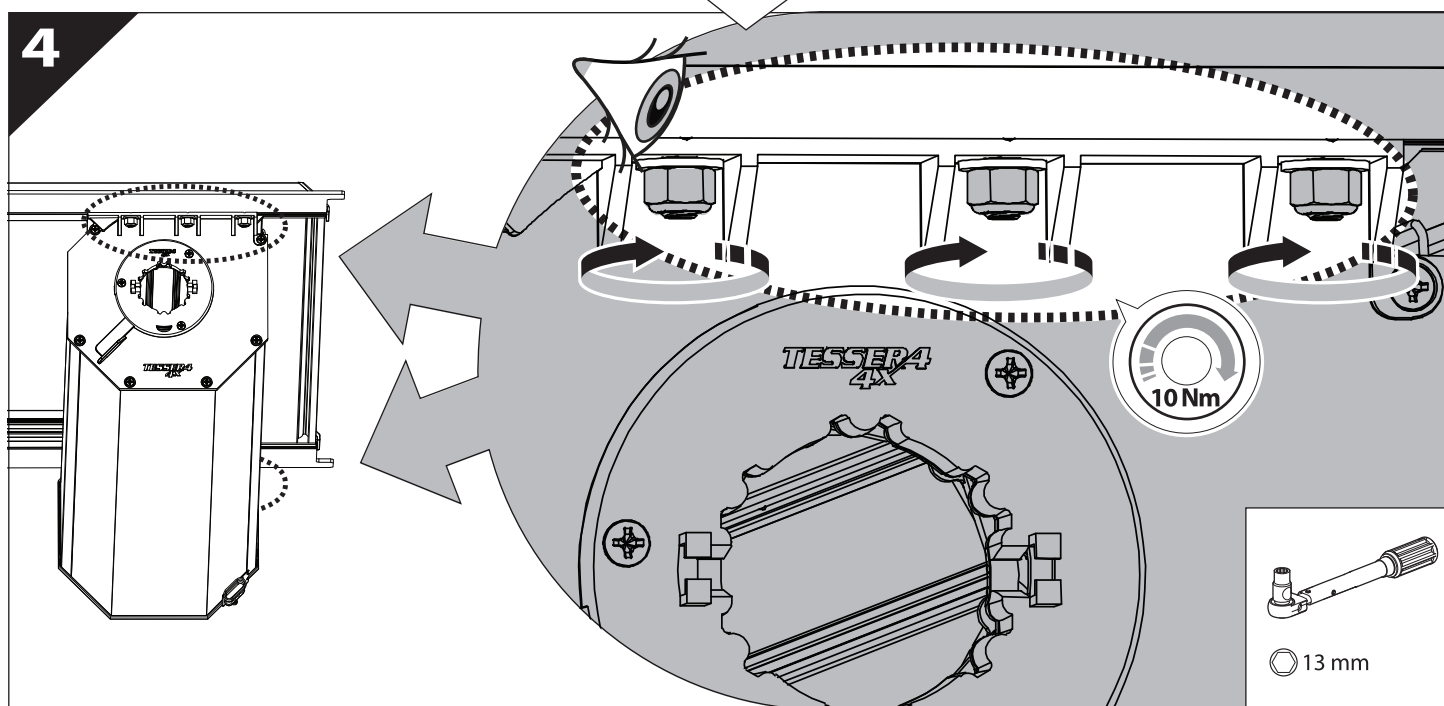


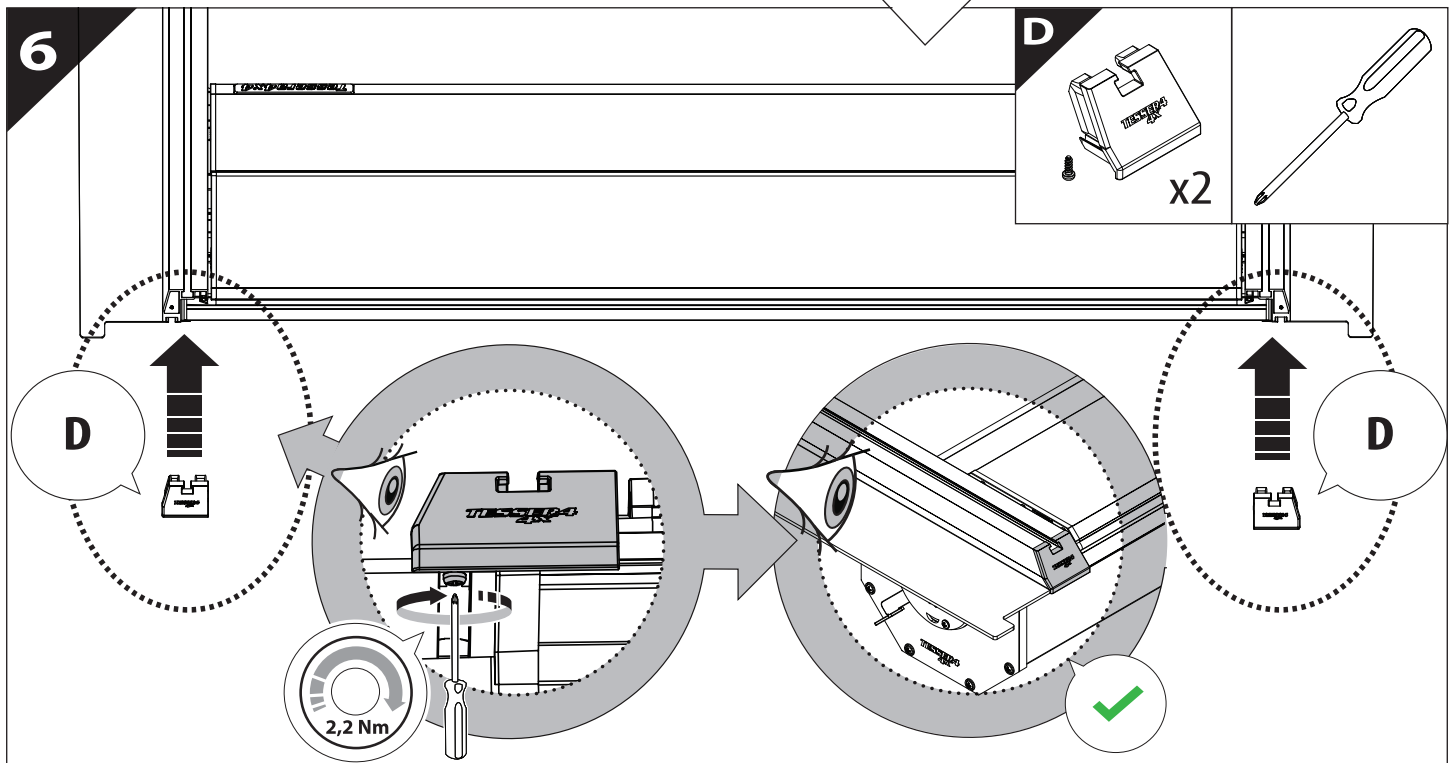
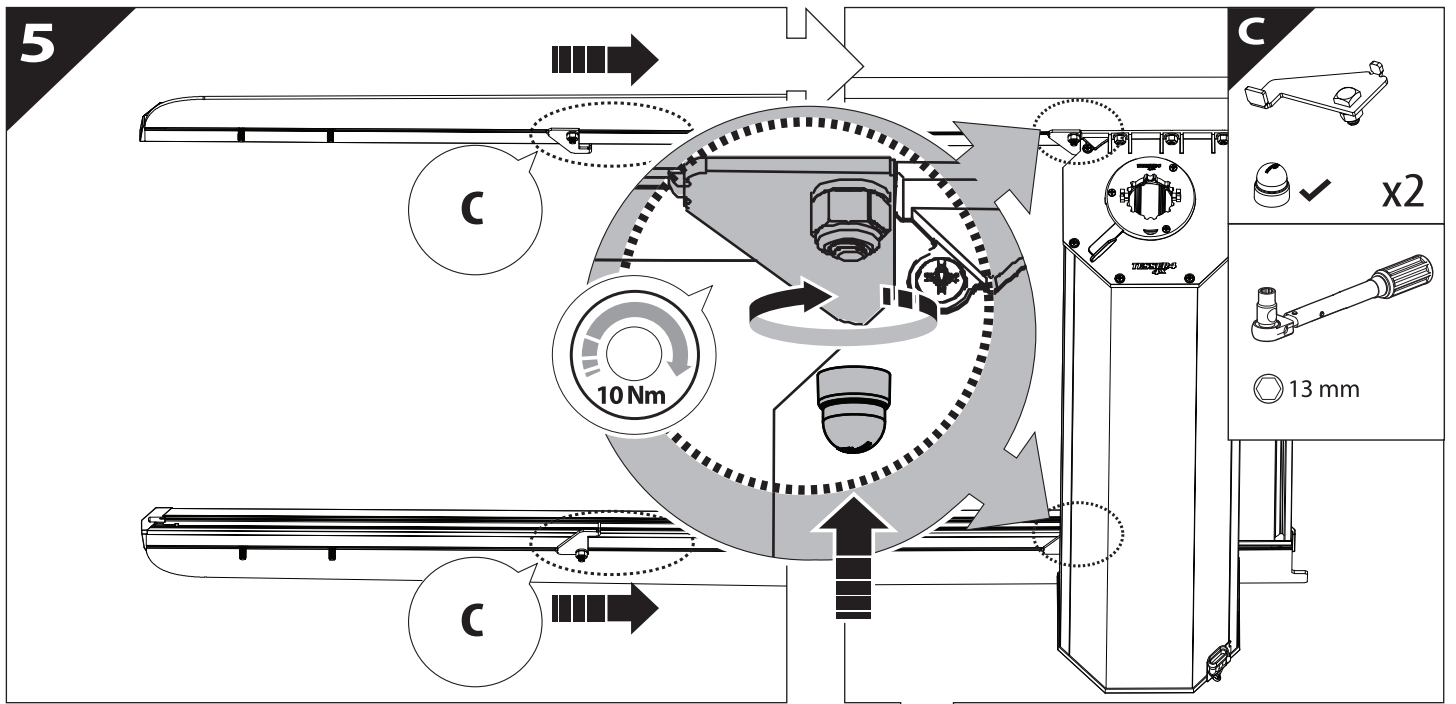


3

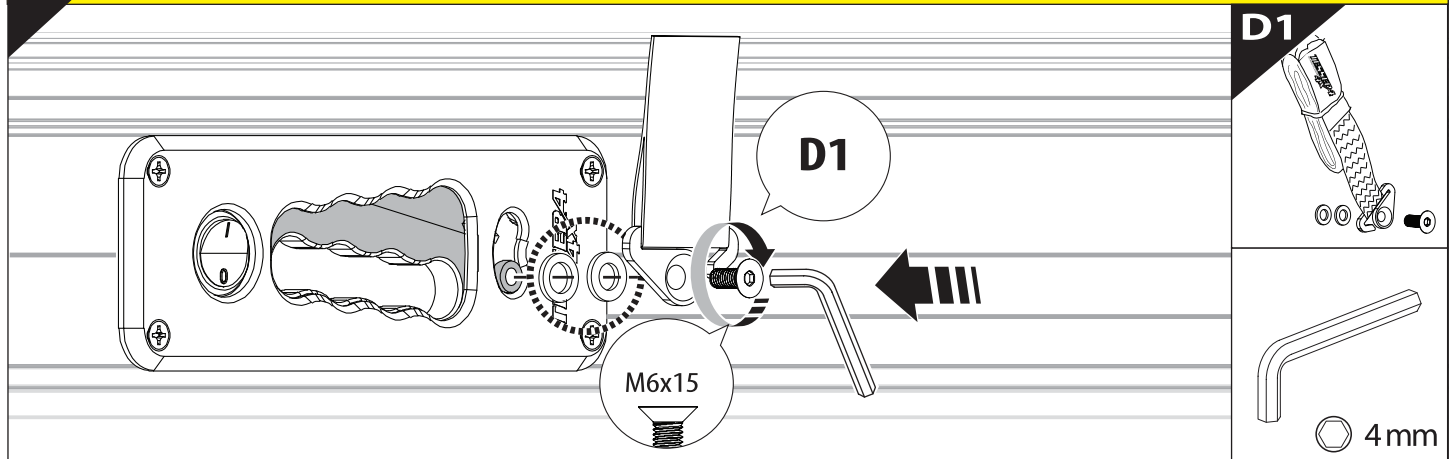


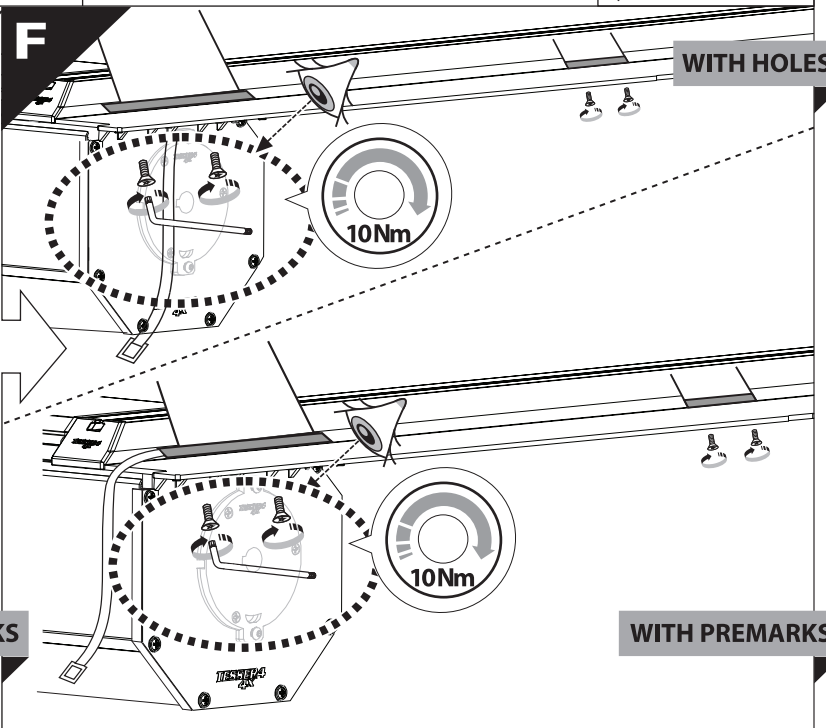
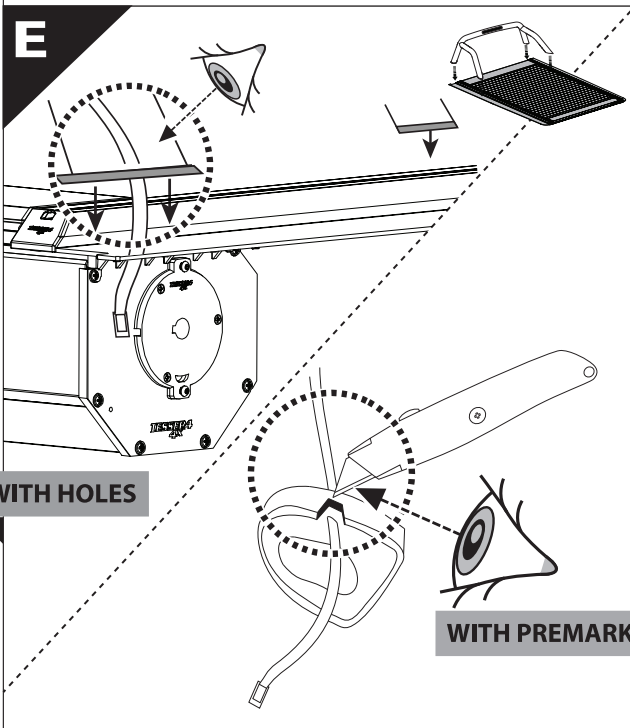
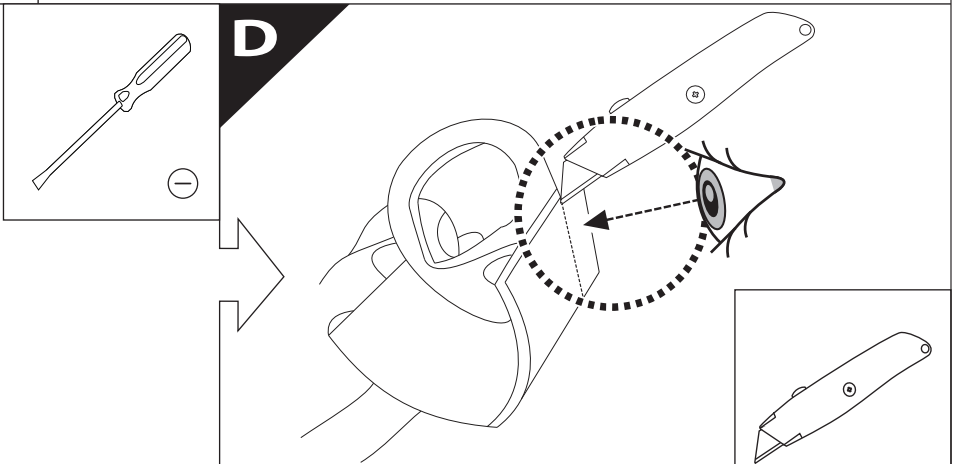
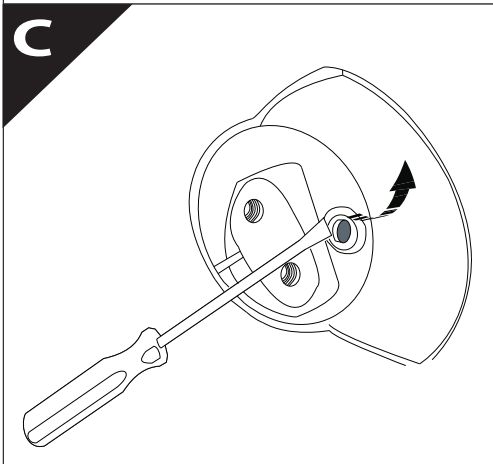
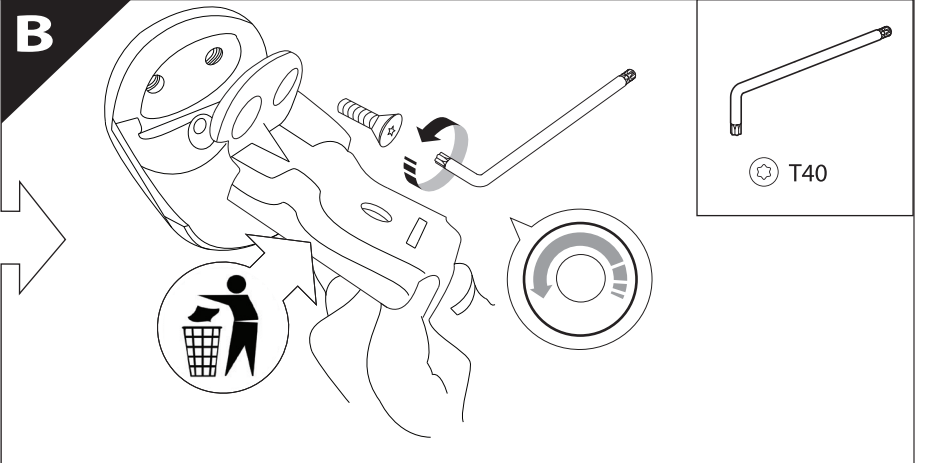
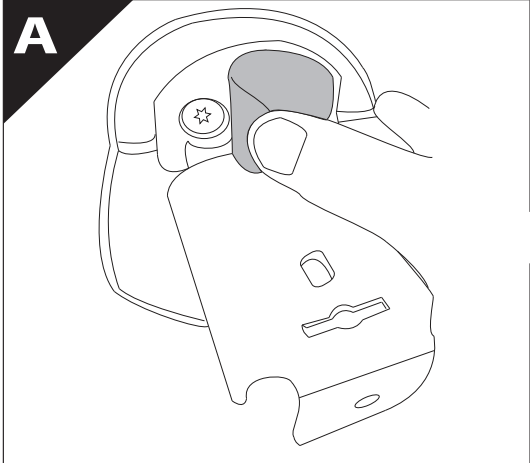
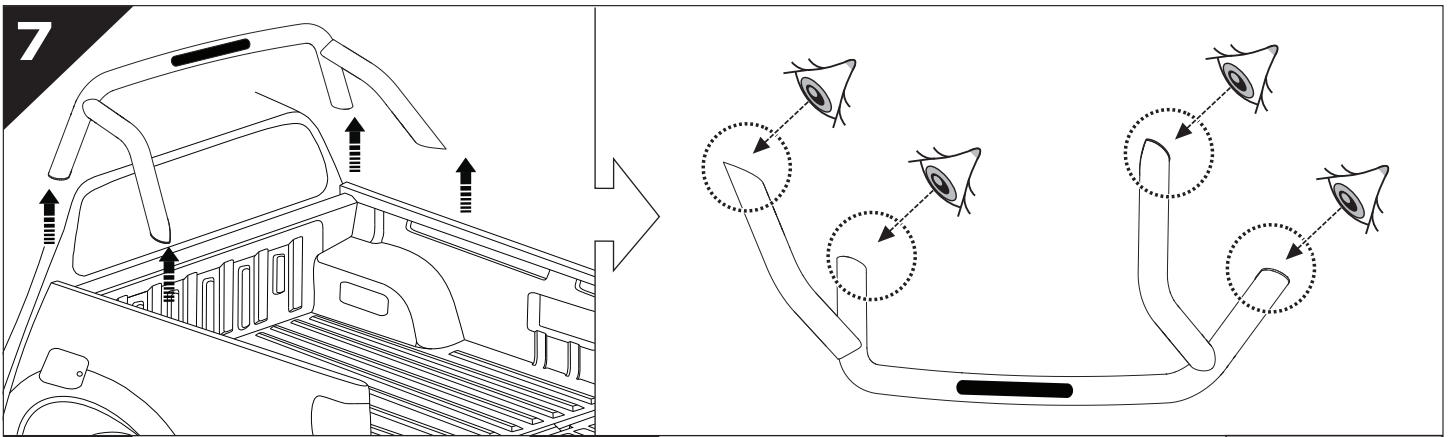
4





6.1 **CAUTION** Basic Version ✓ & Basic+S-KIT Version ✓





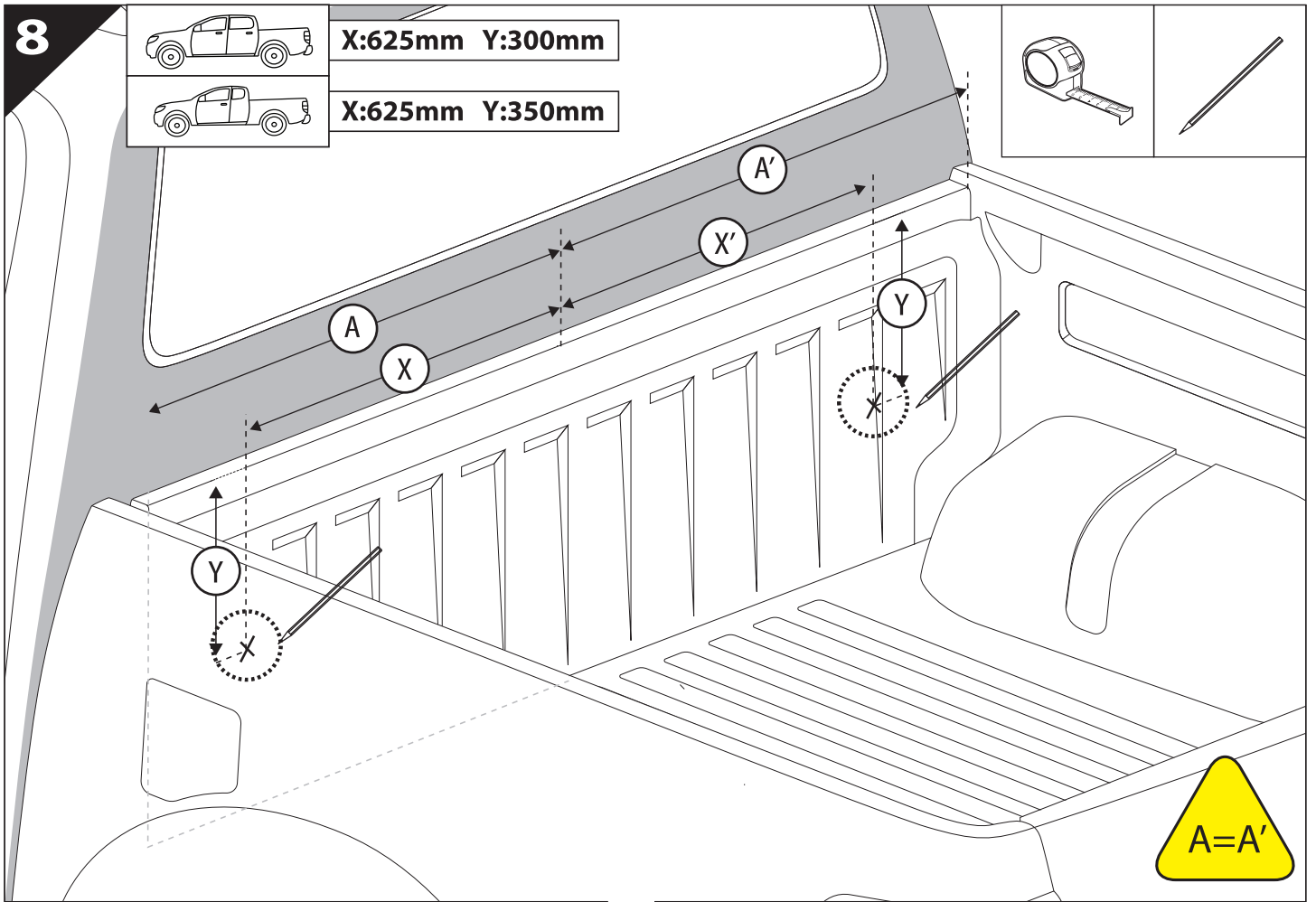
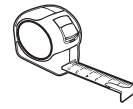
8



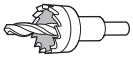
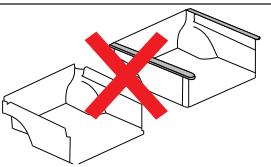
X:625mm Y:300mm



X:625mm Y:350mm



9

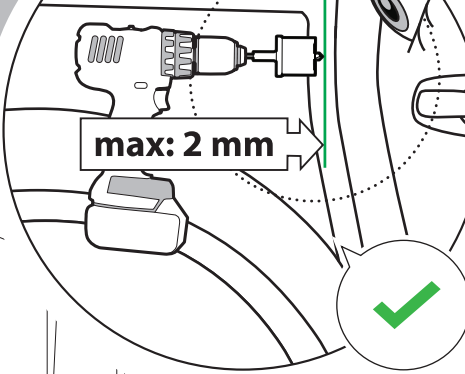


Ø 25 mm

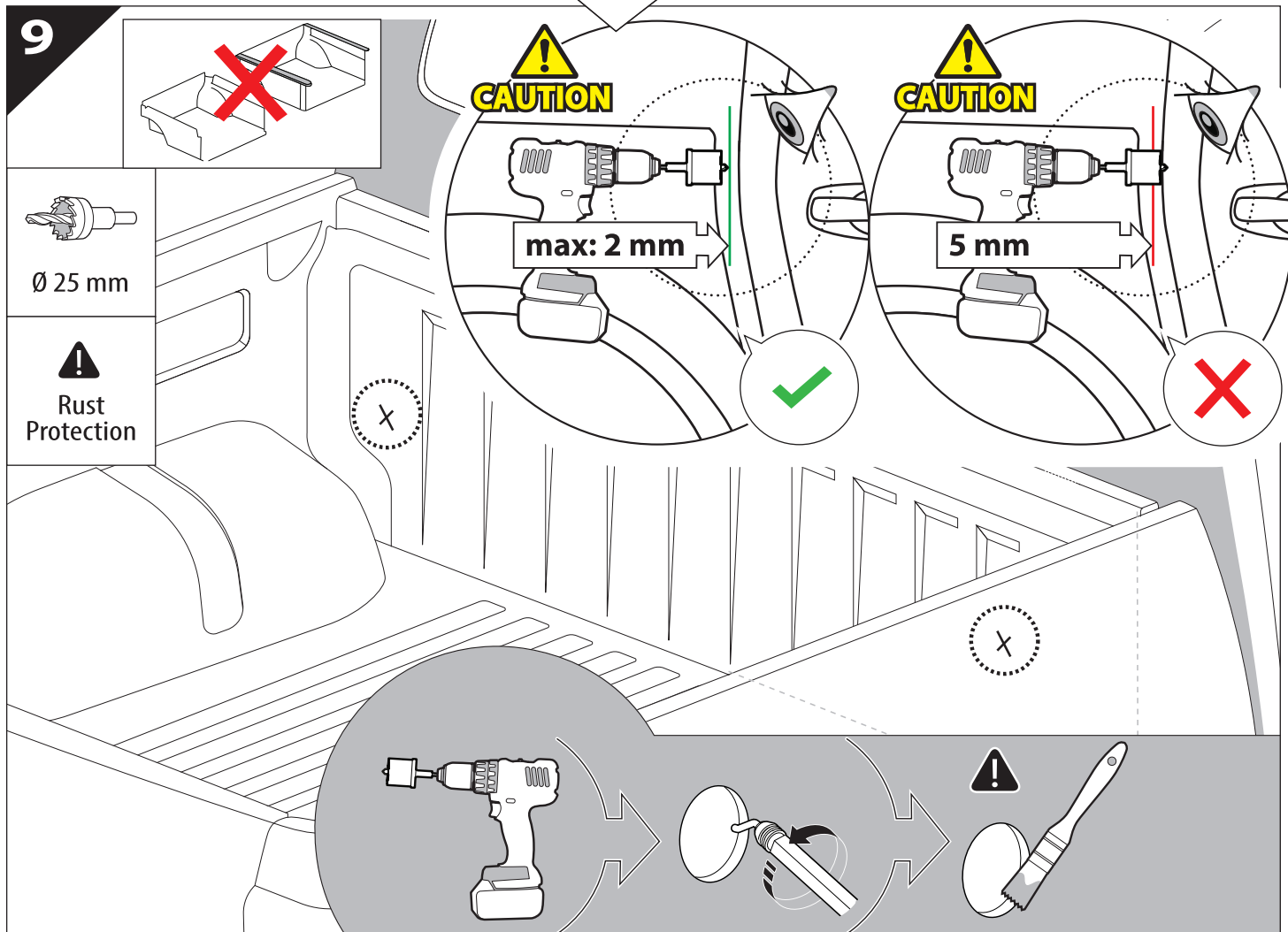
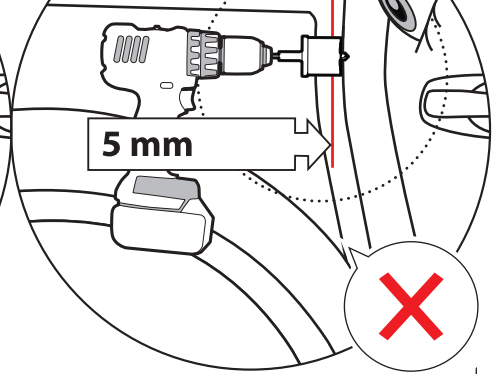


Rust Protection

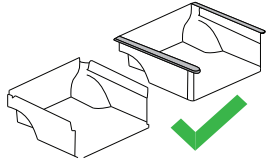
CAUTION



CAUTION

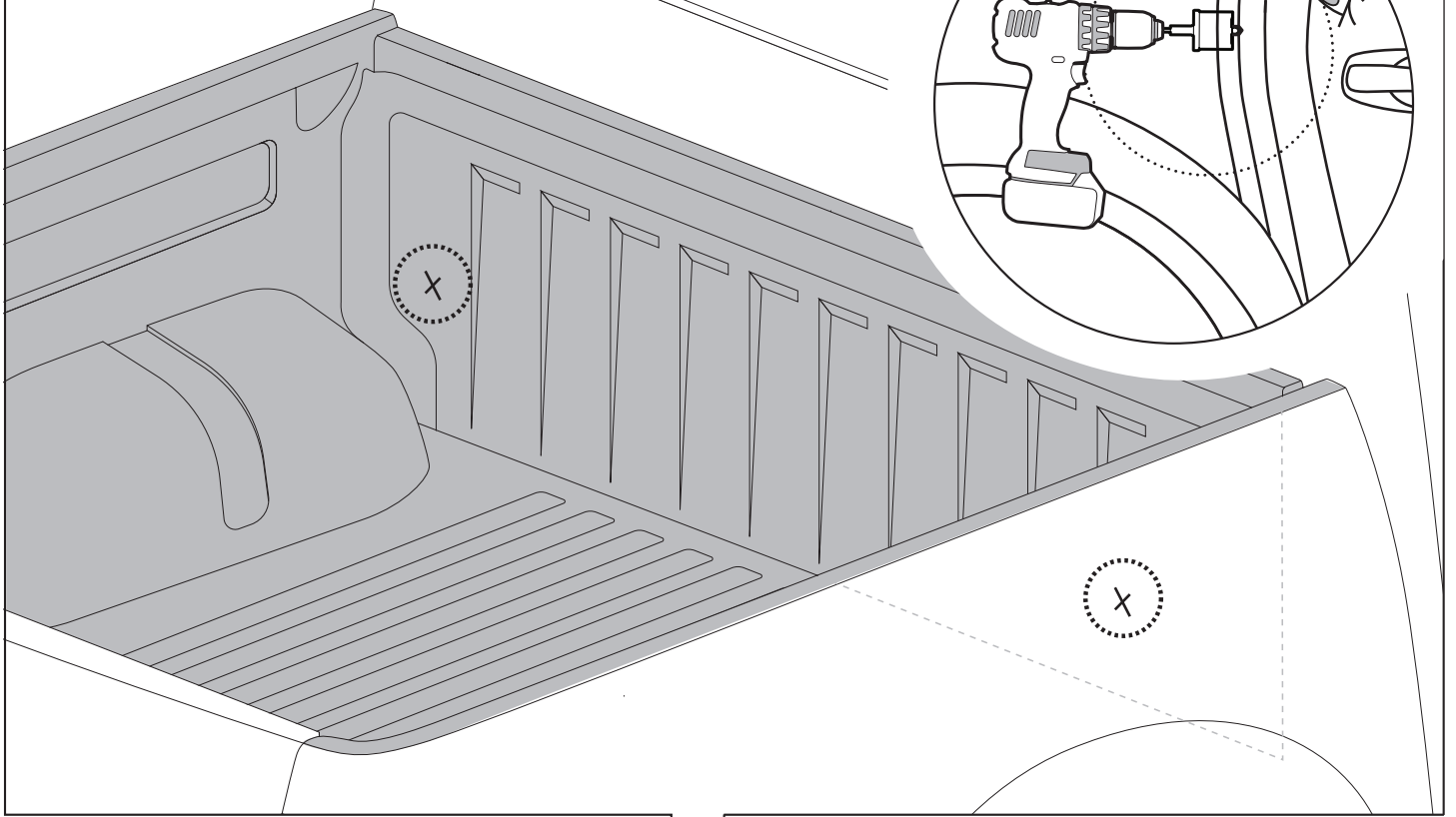
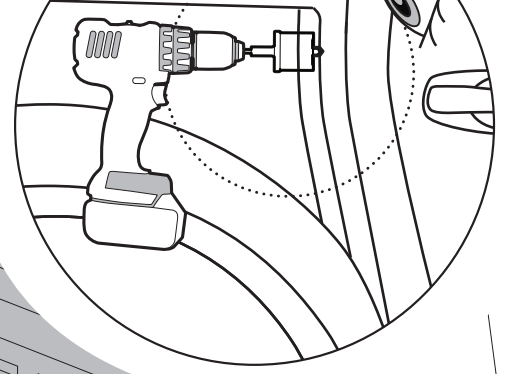


10

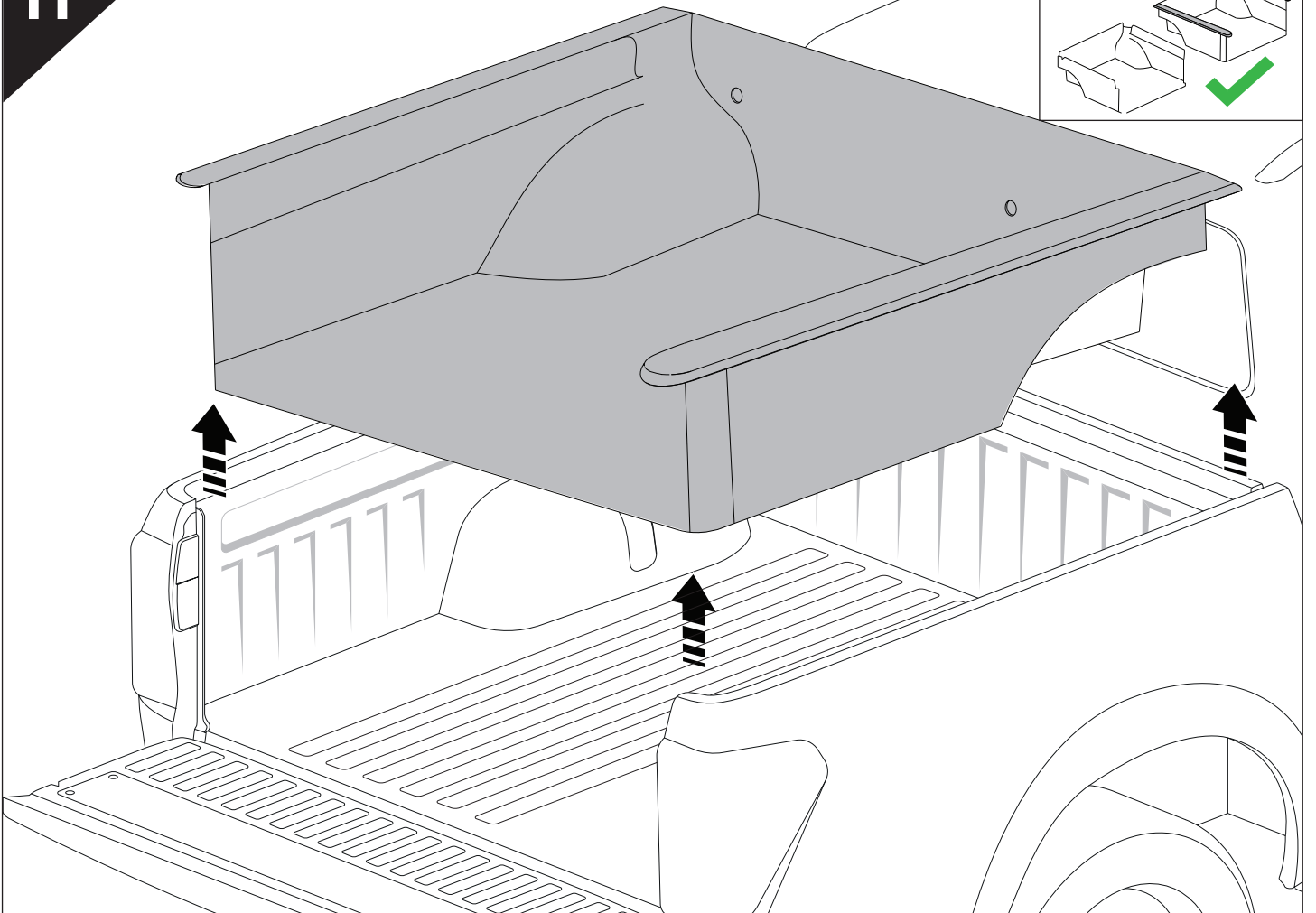
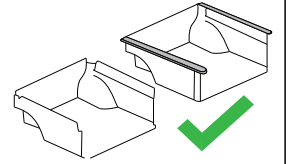


Ø 40 mm

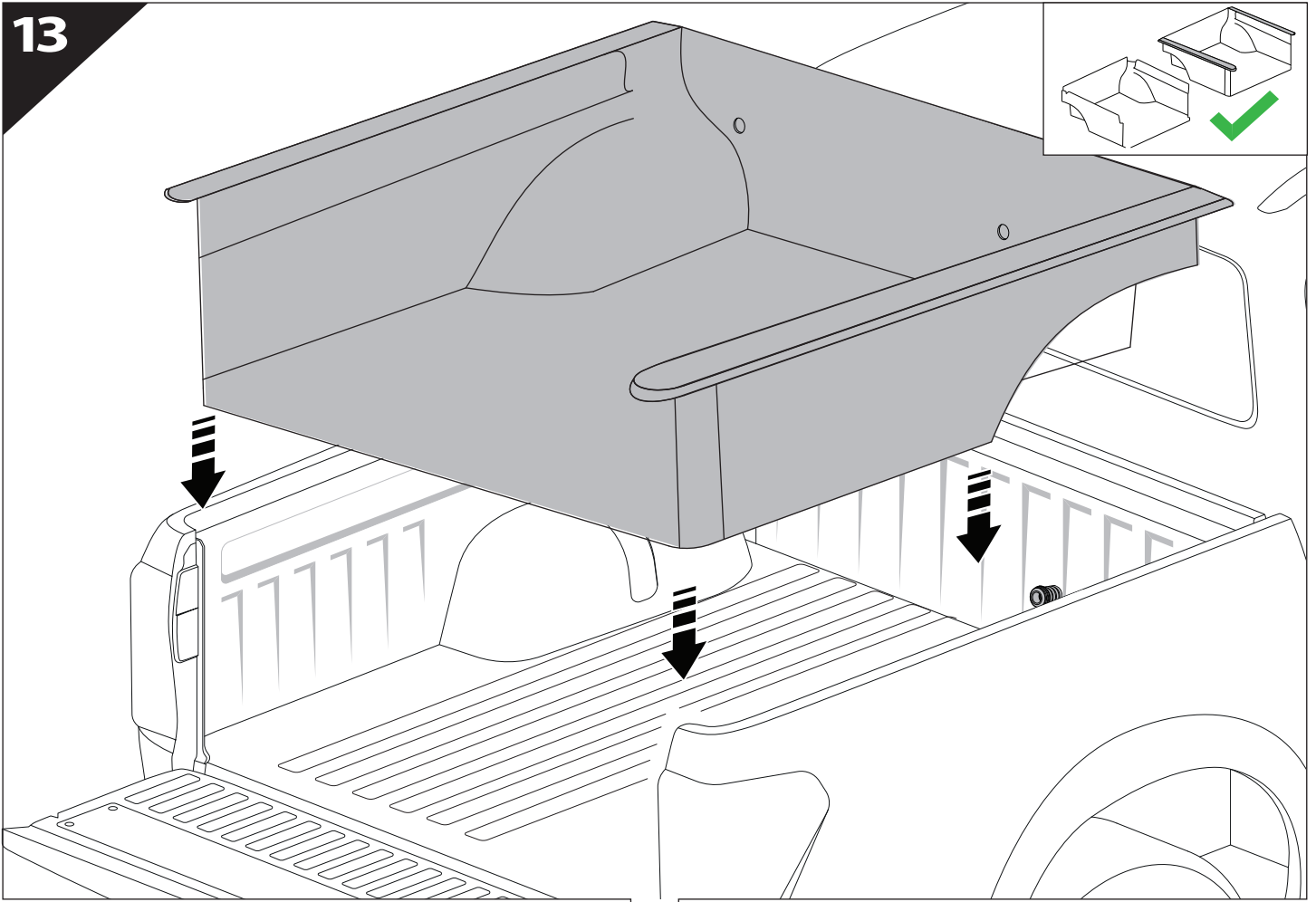
 **CAUTION**



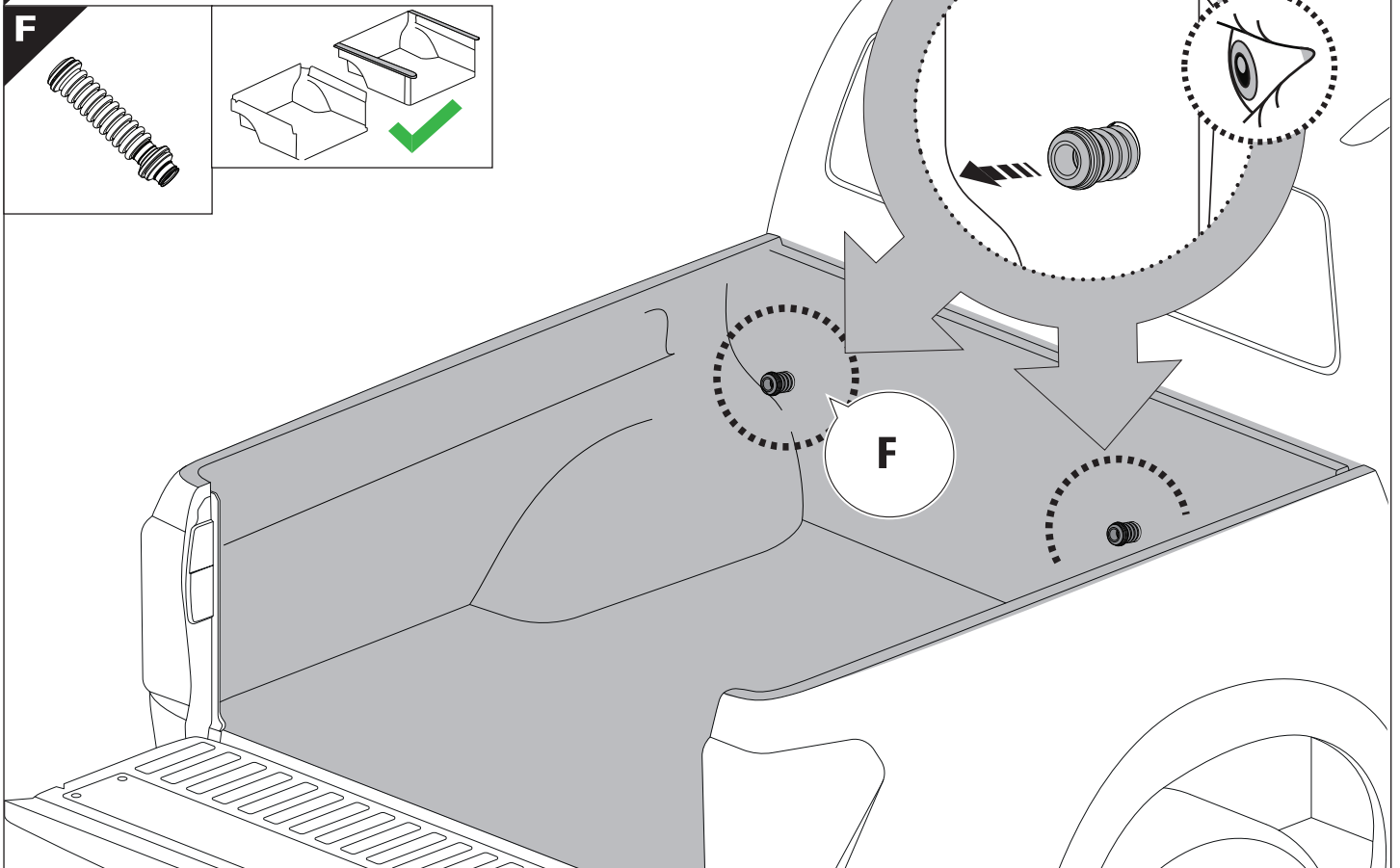
11

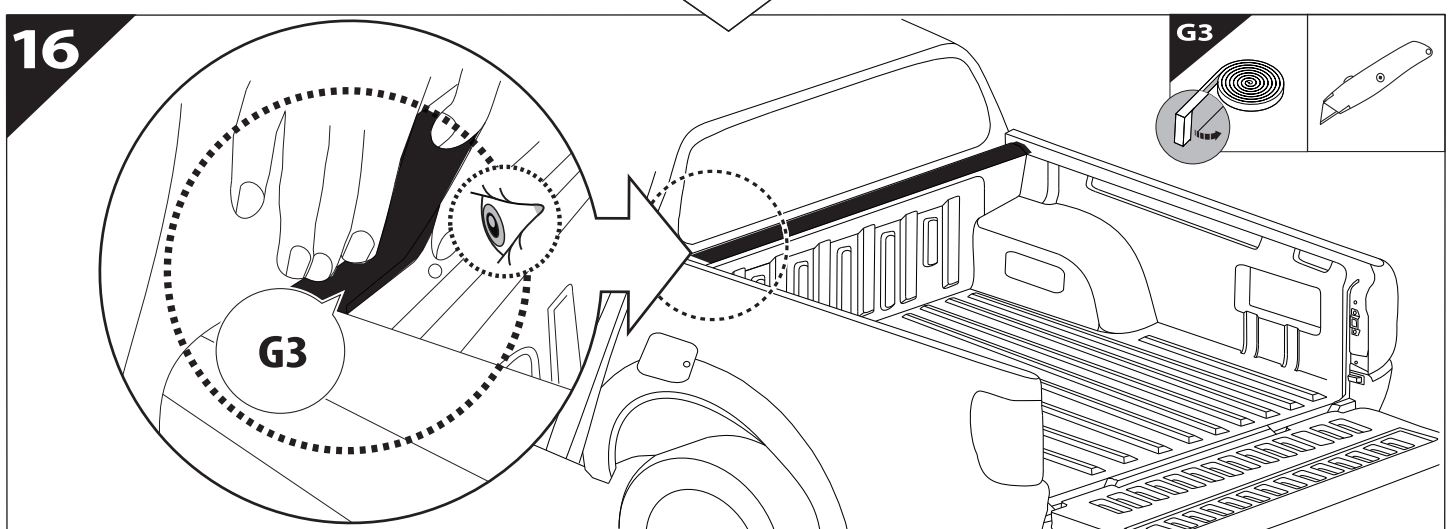
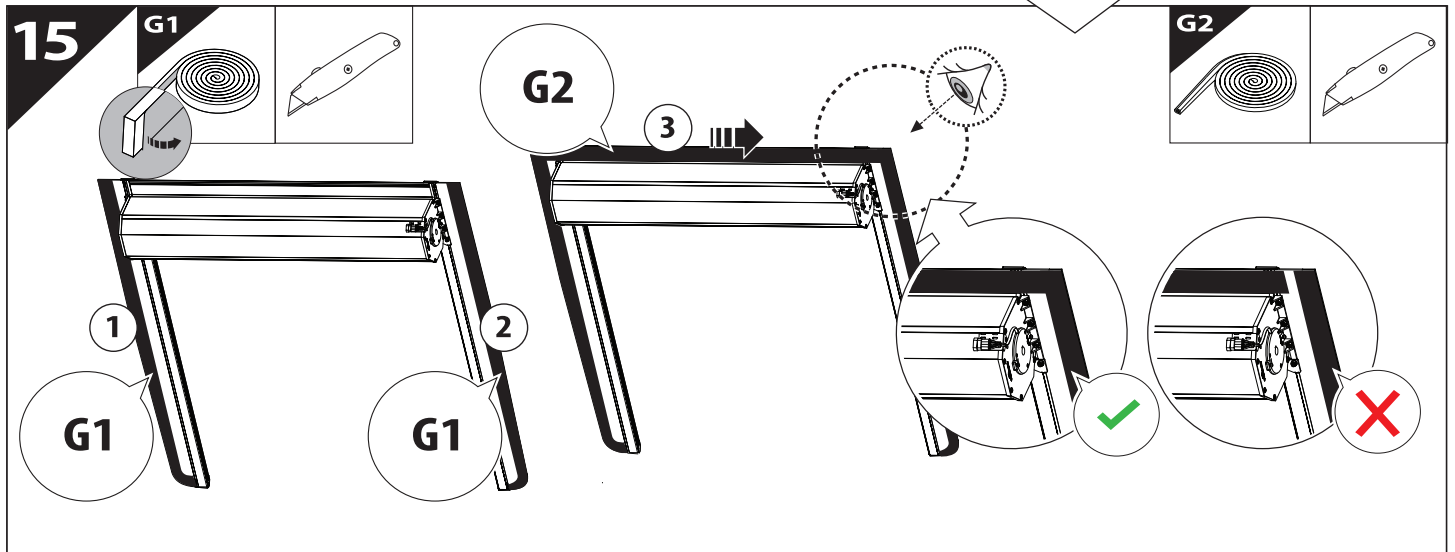
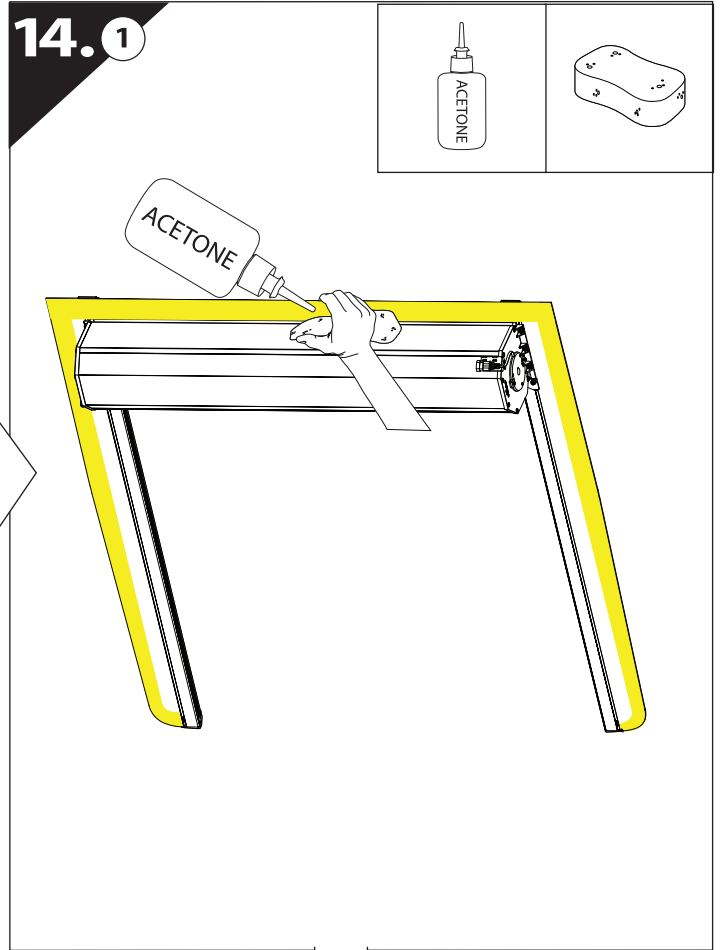
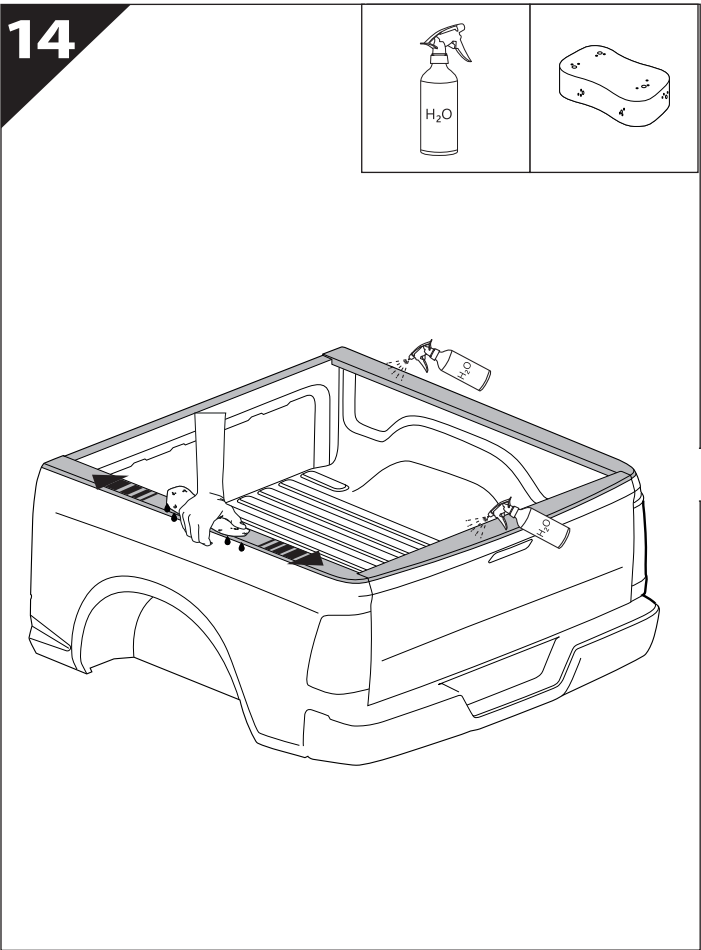


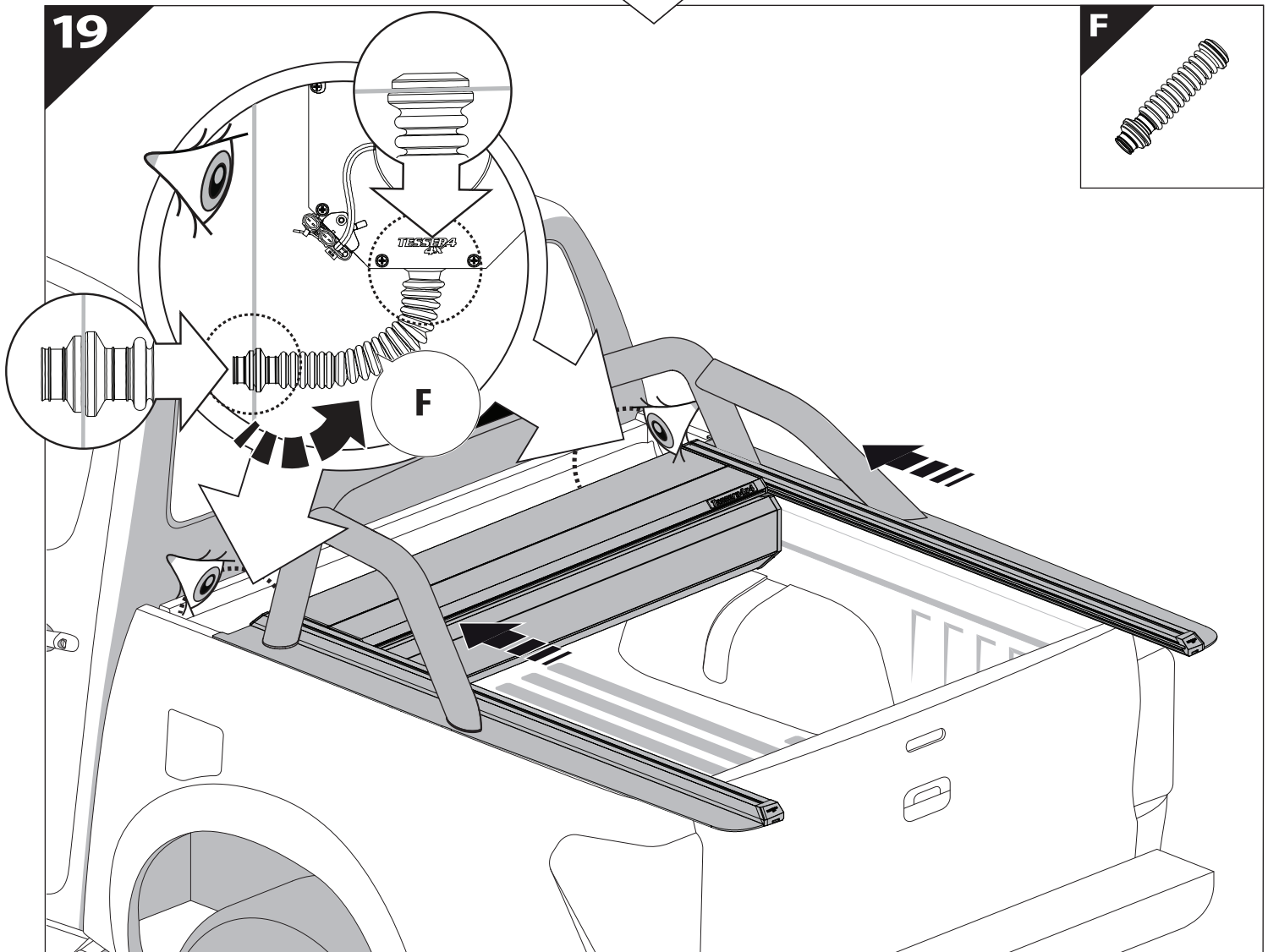
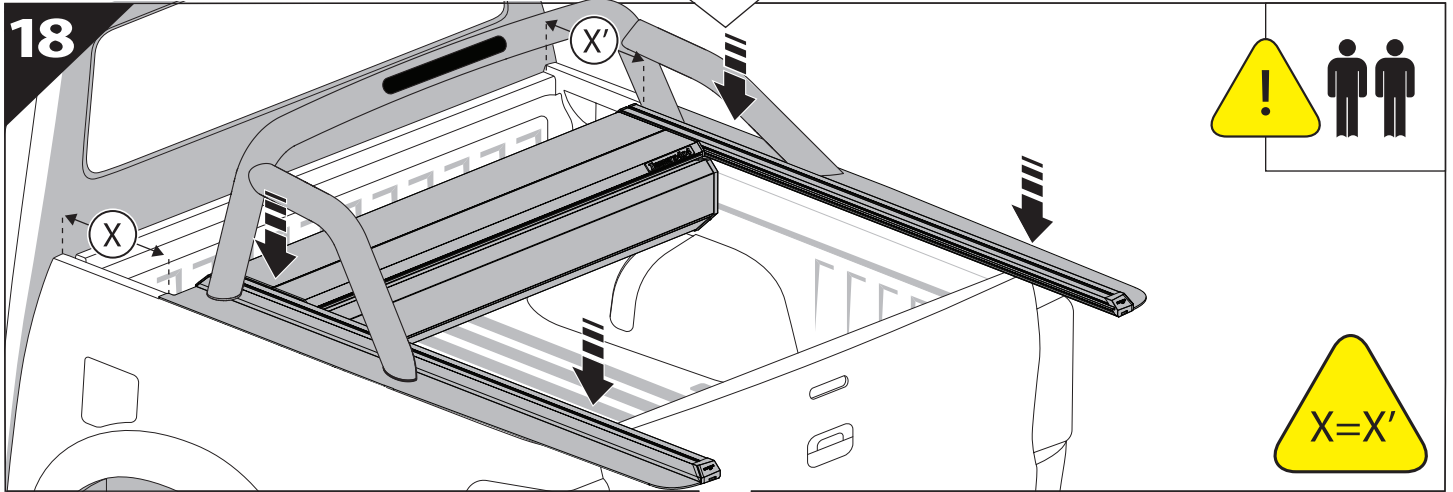
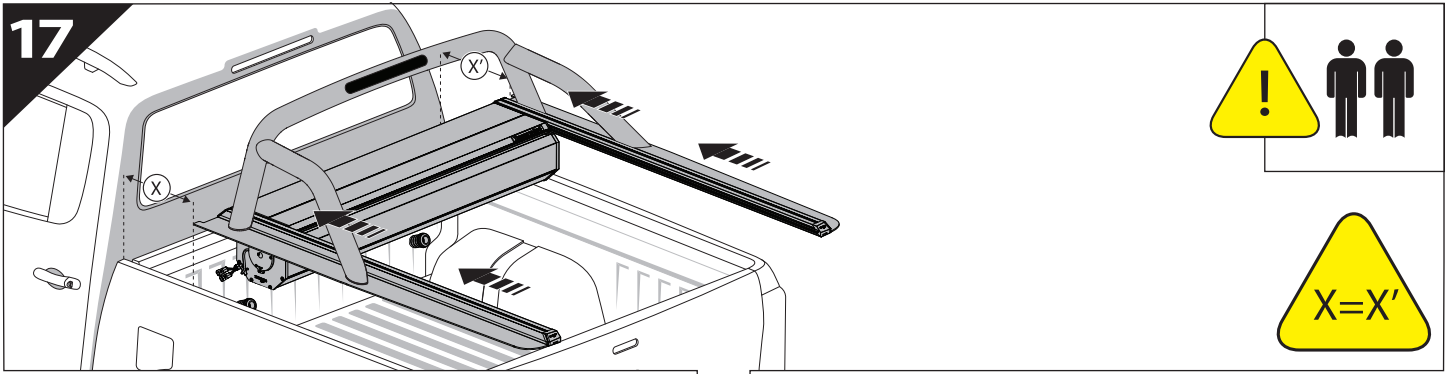
13

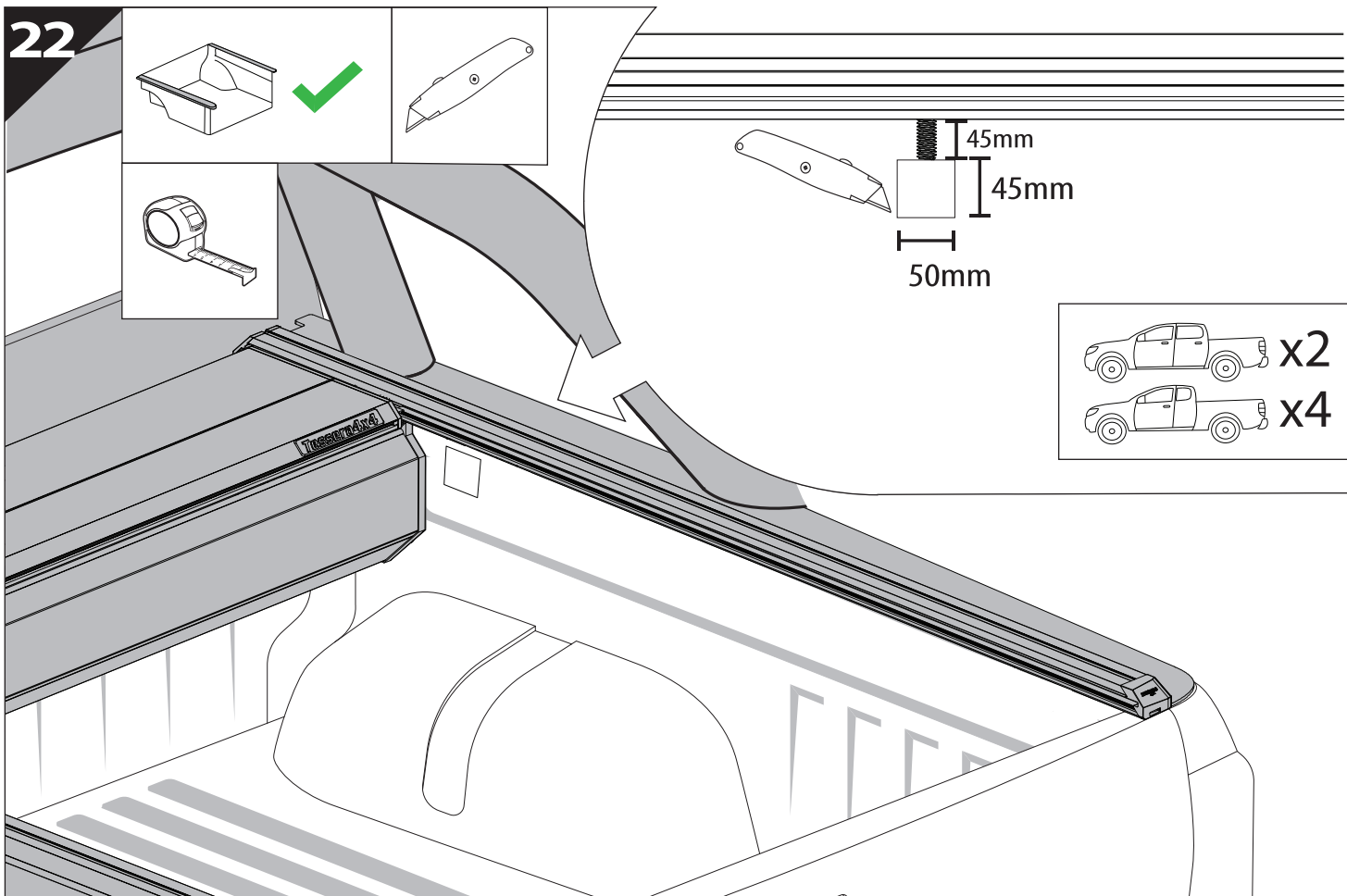
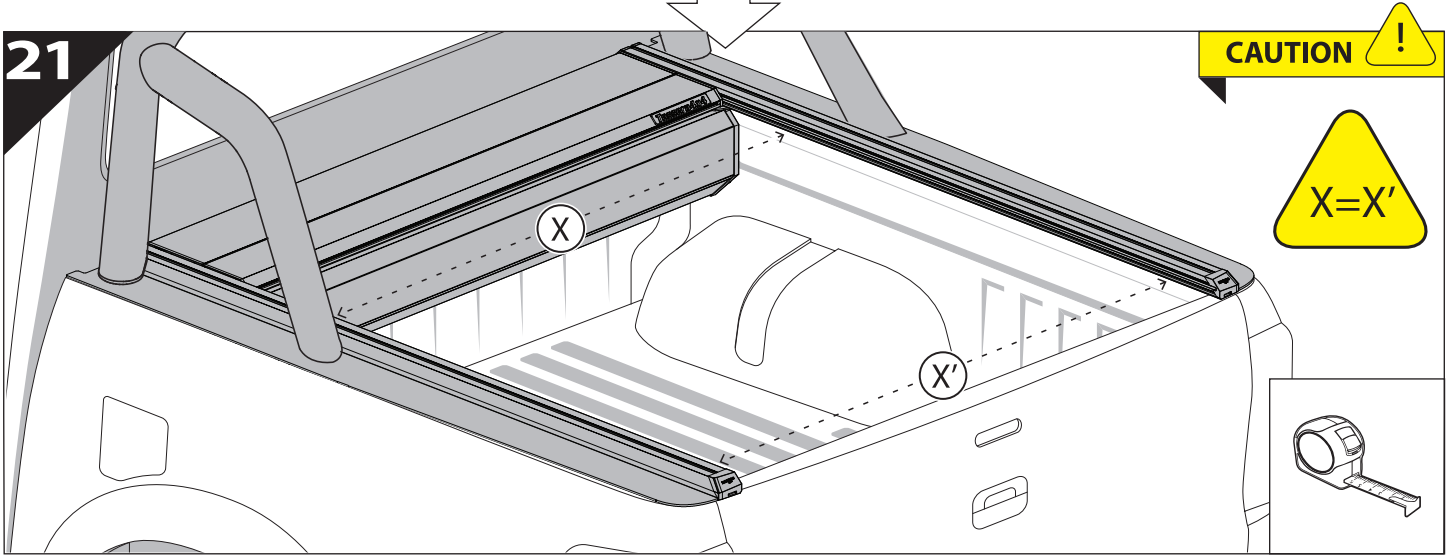
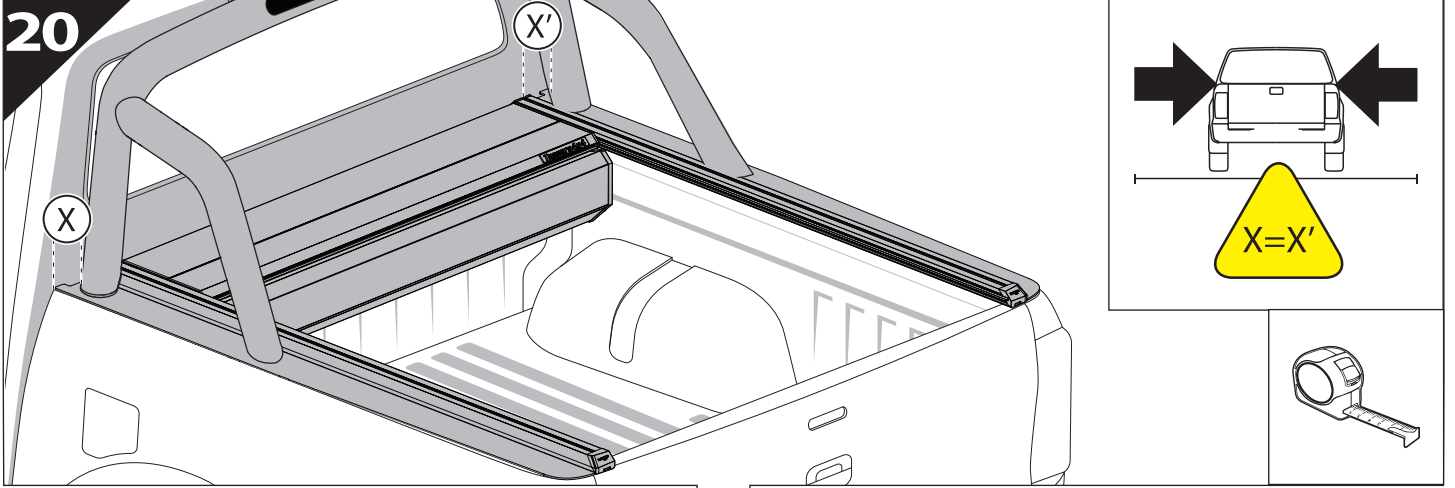


13.0

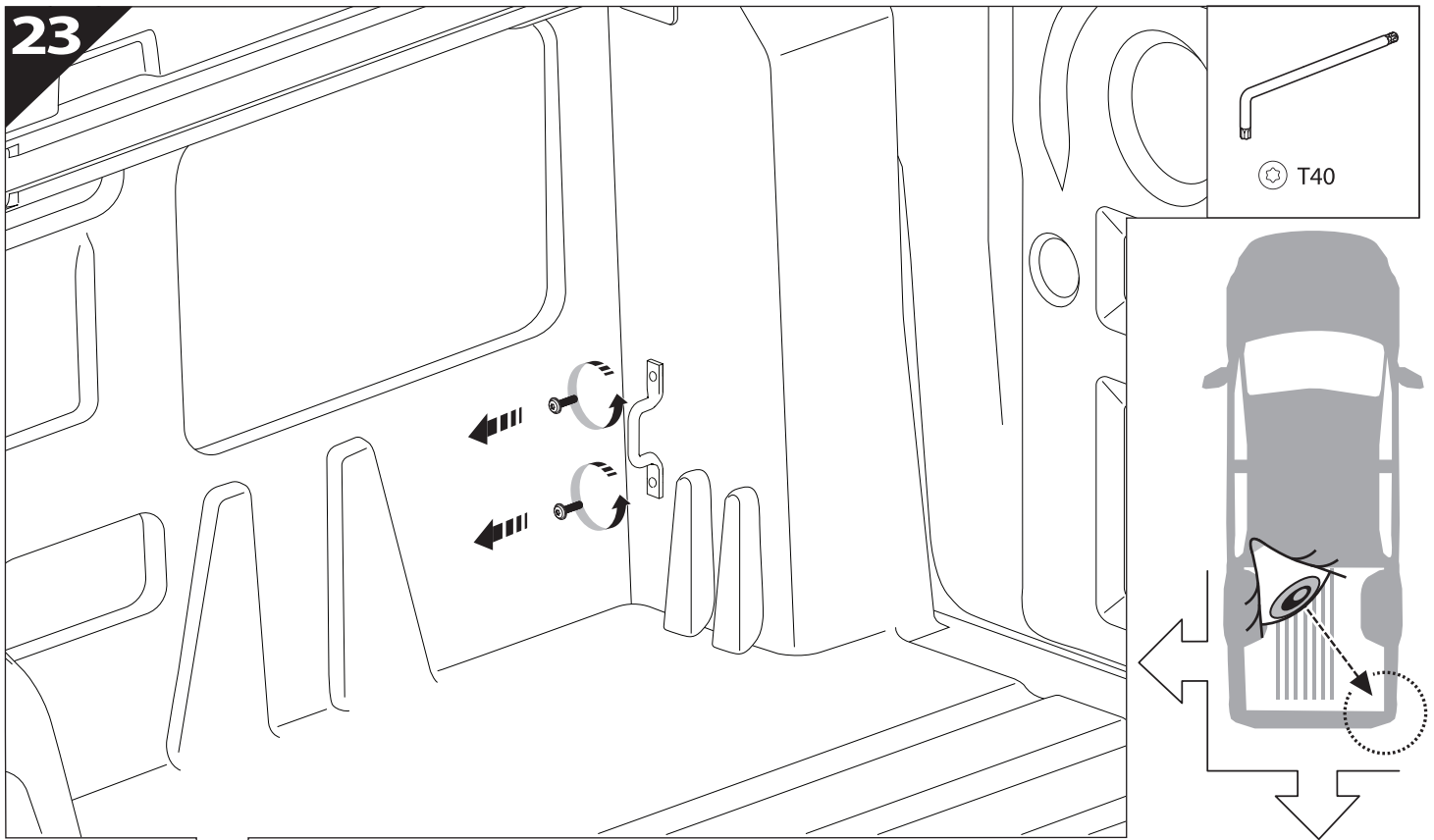




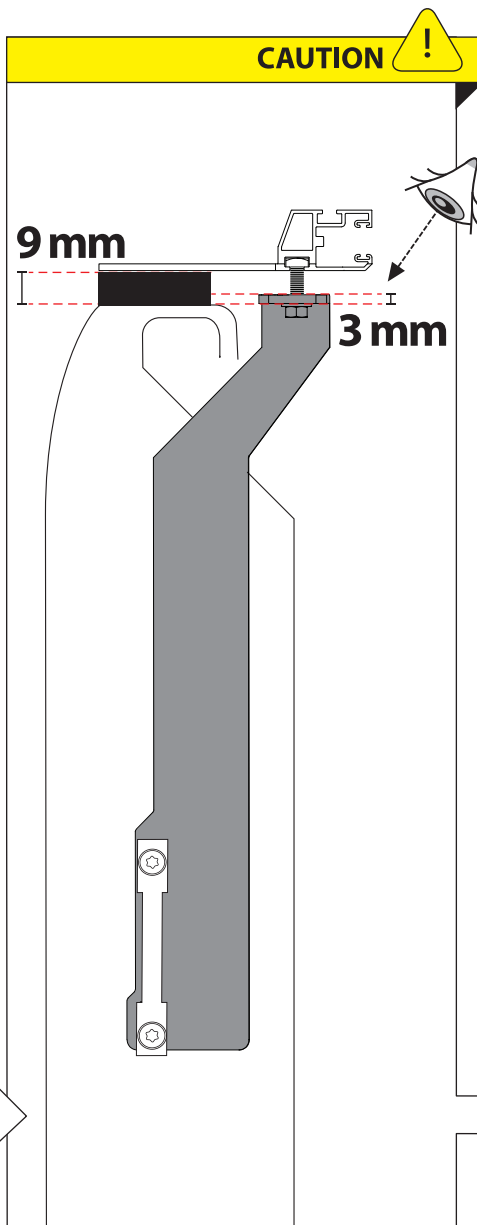
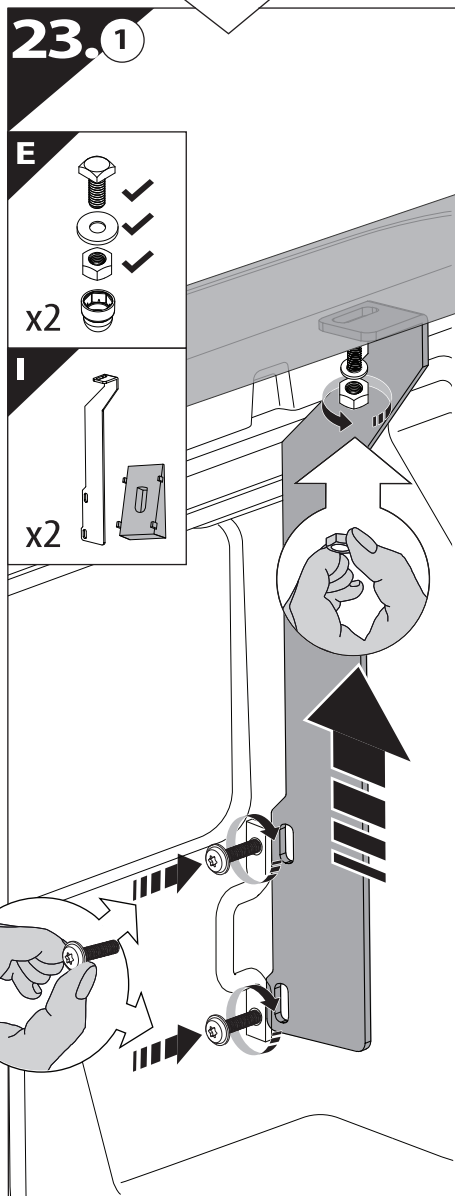




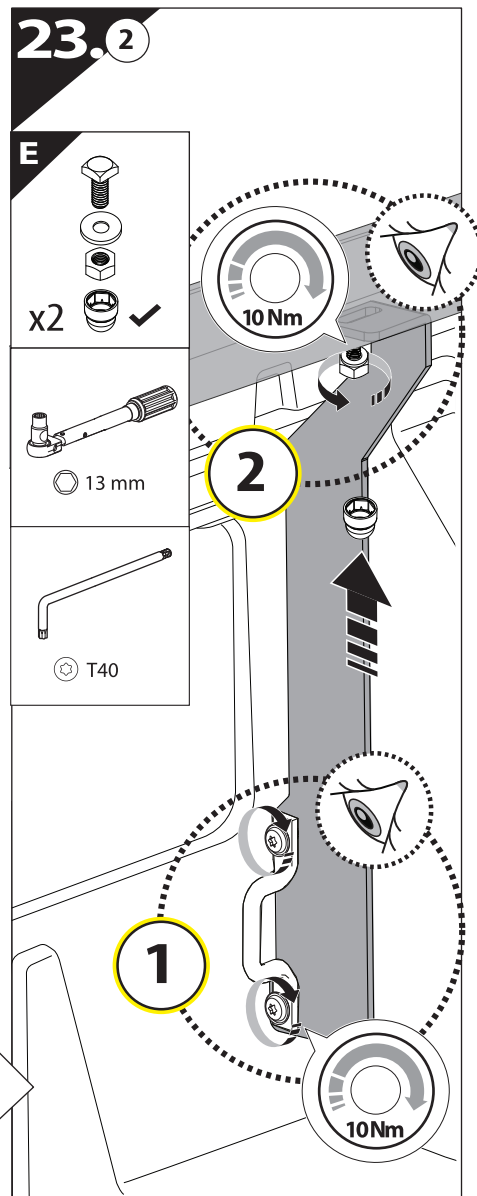
23



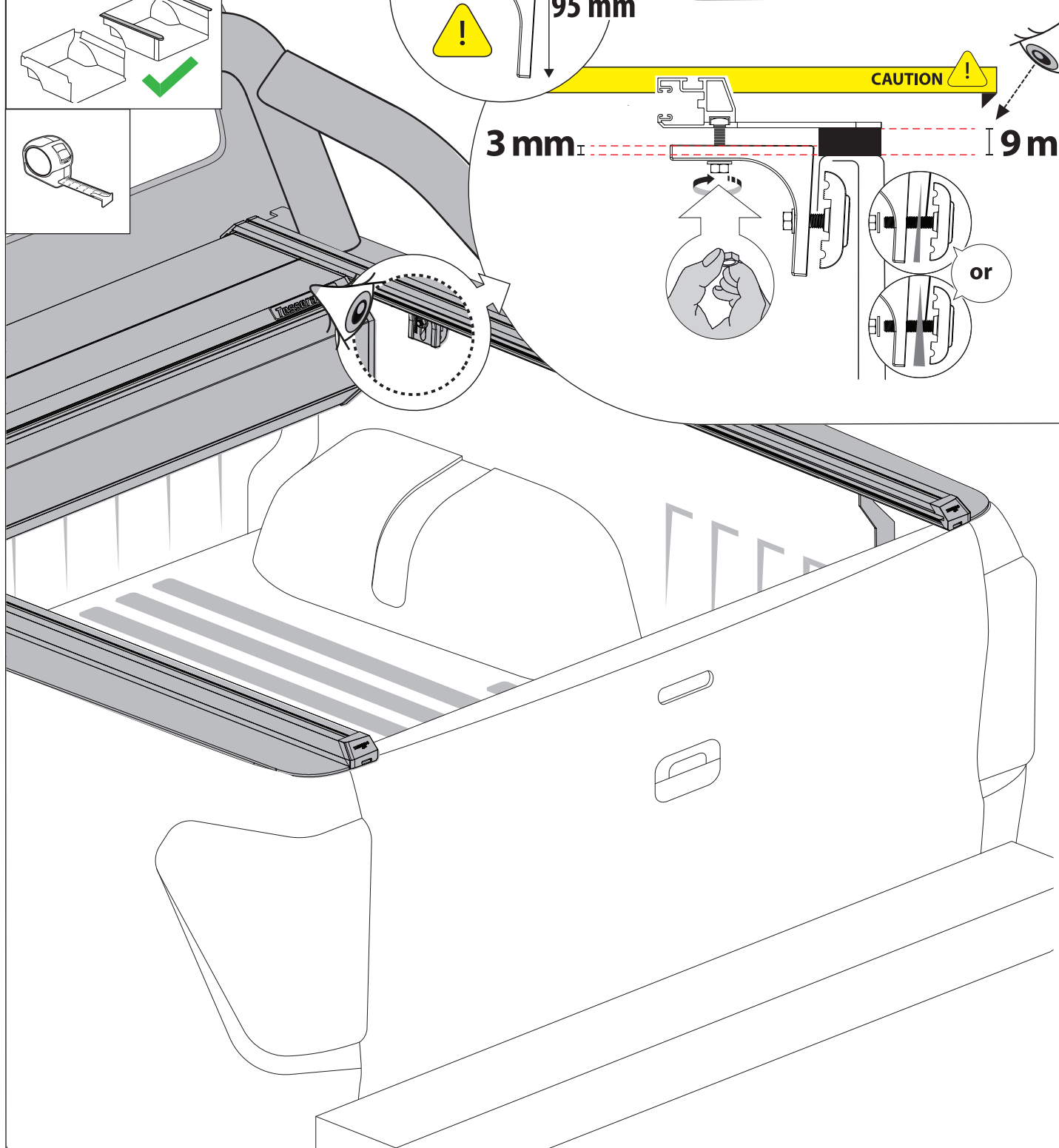
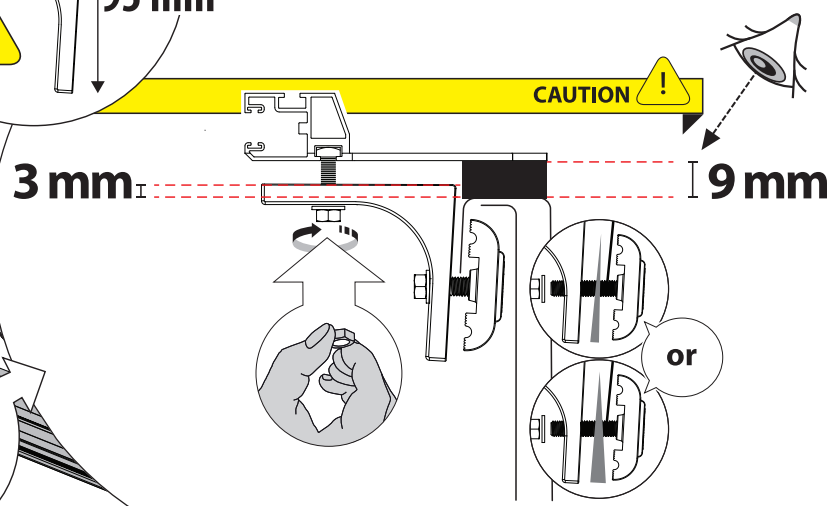
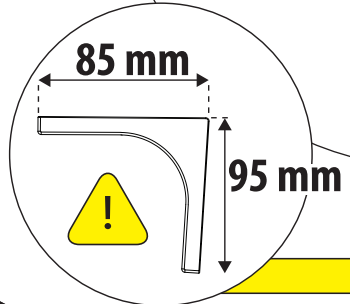
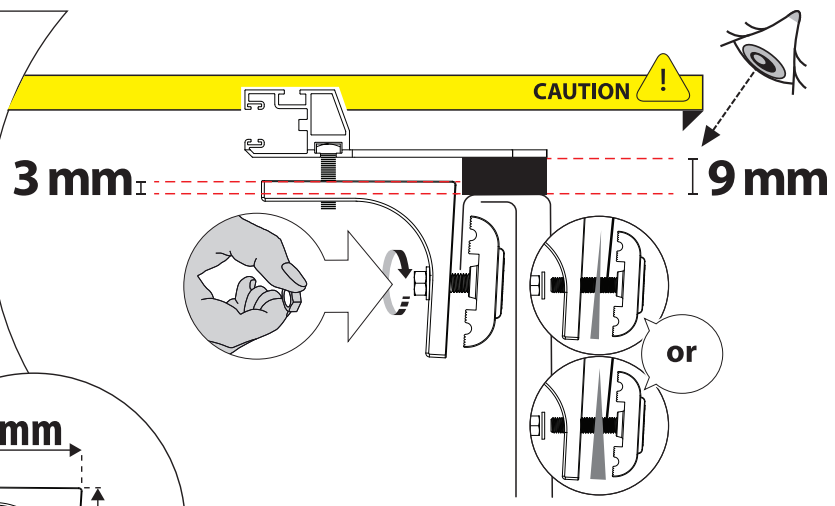
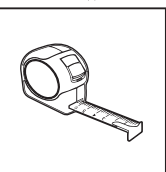
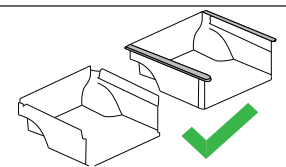
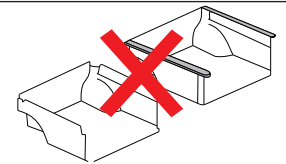
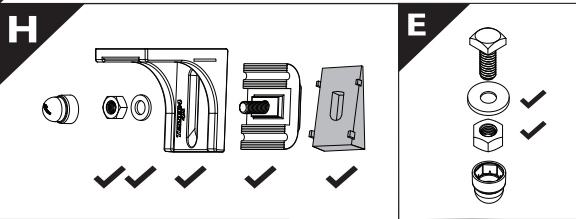
23.1

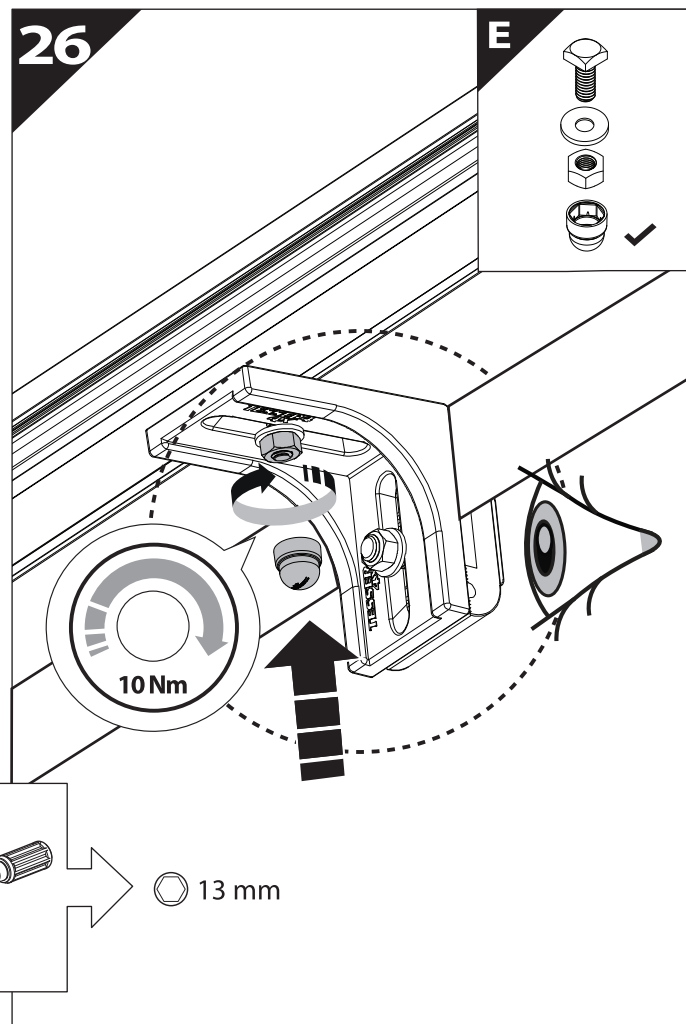
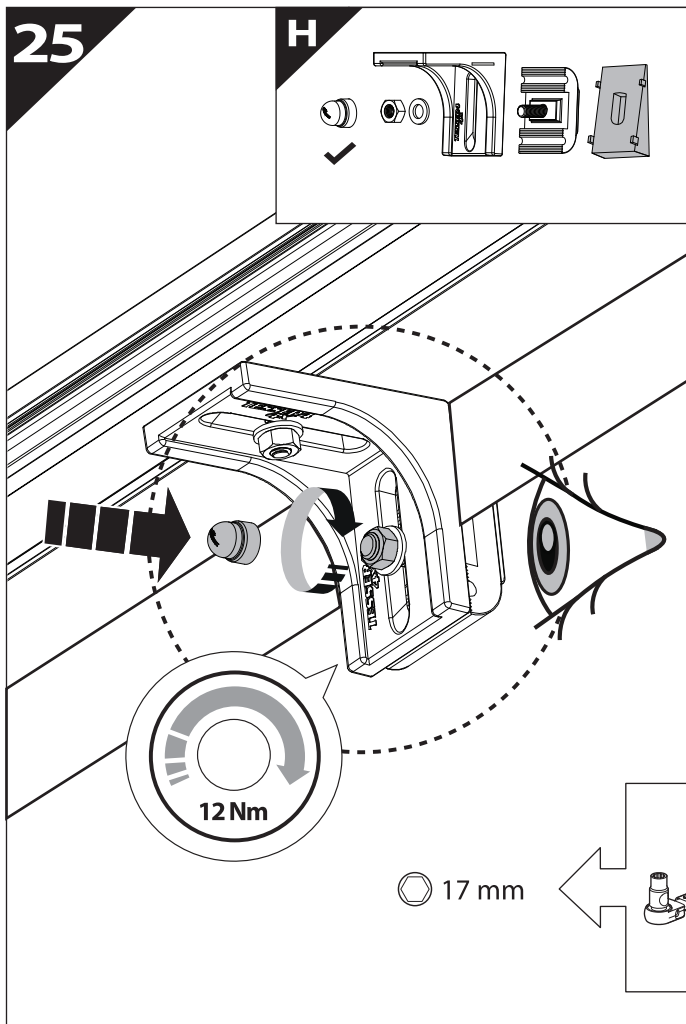


23.2

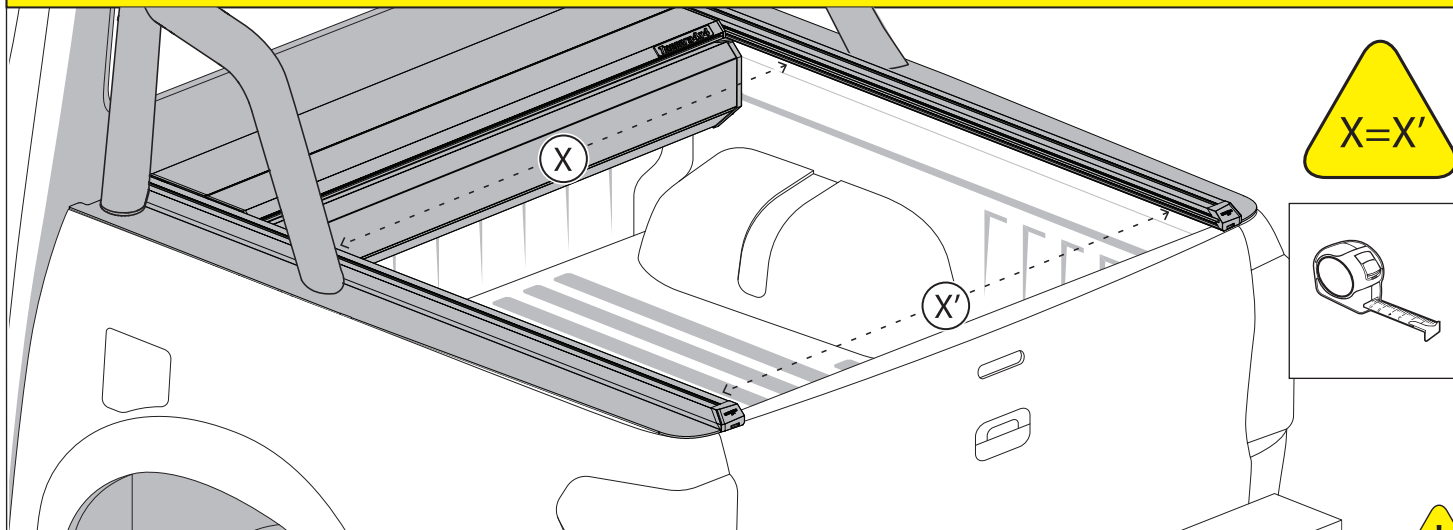


24

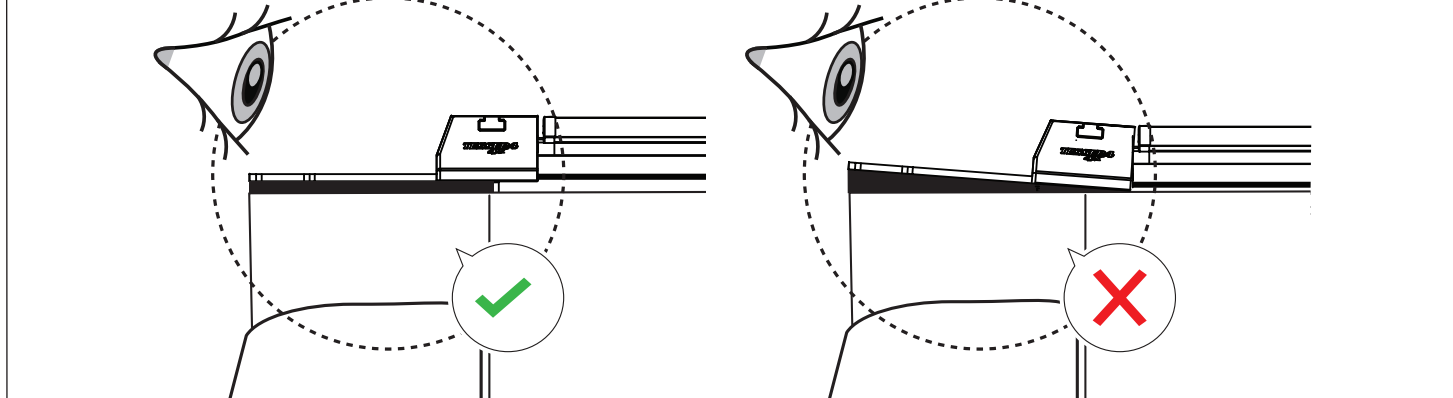




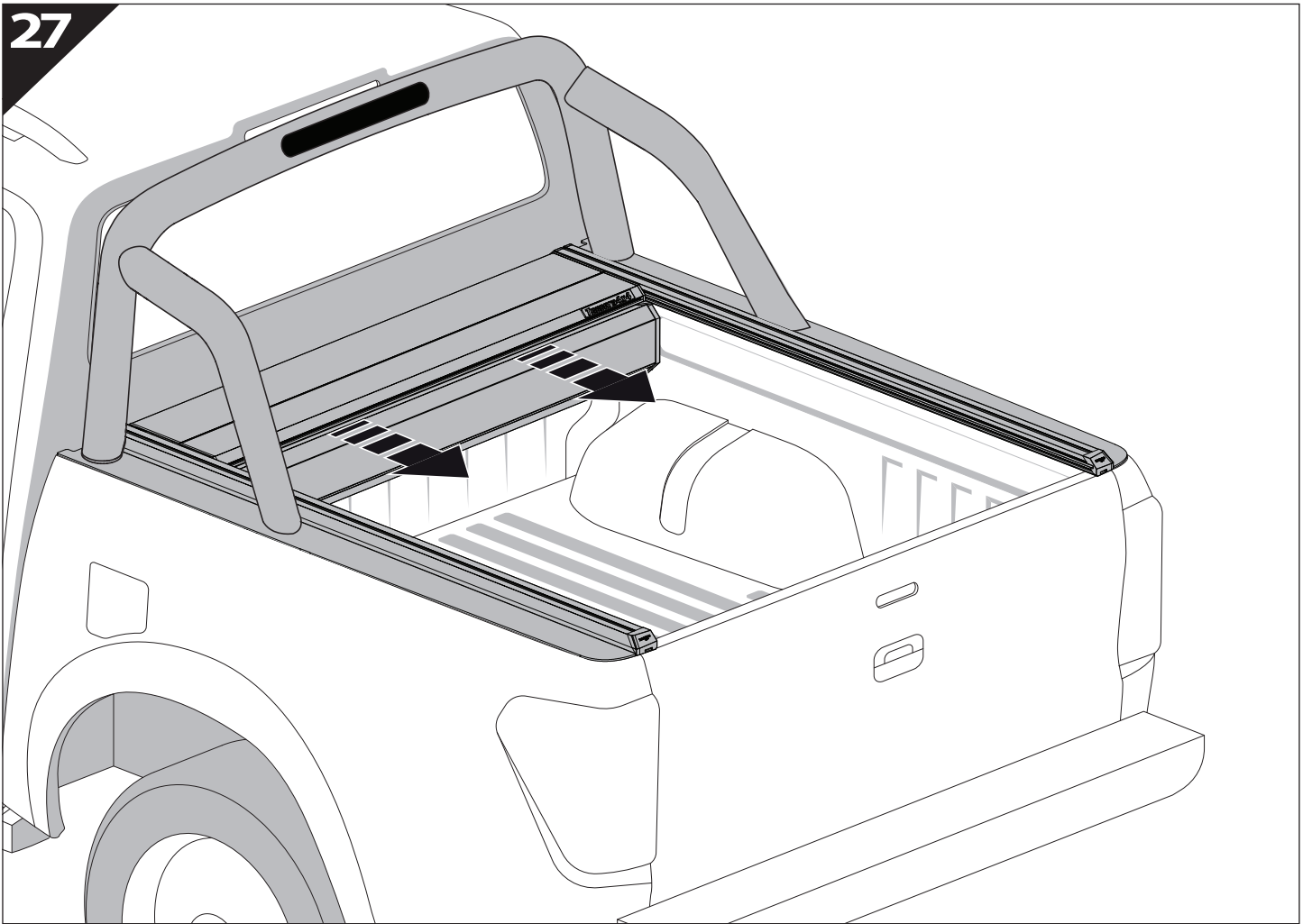
CAUTION !



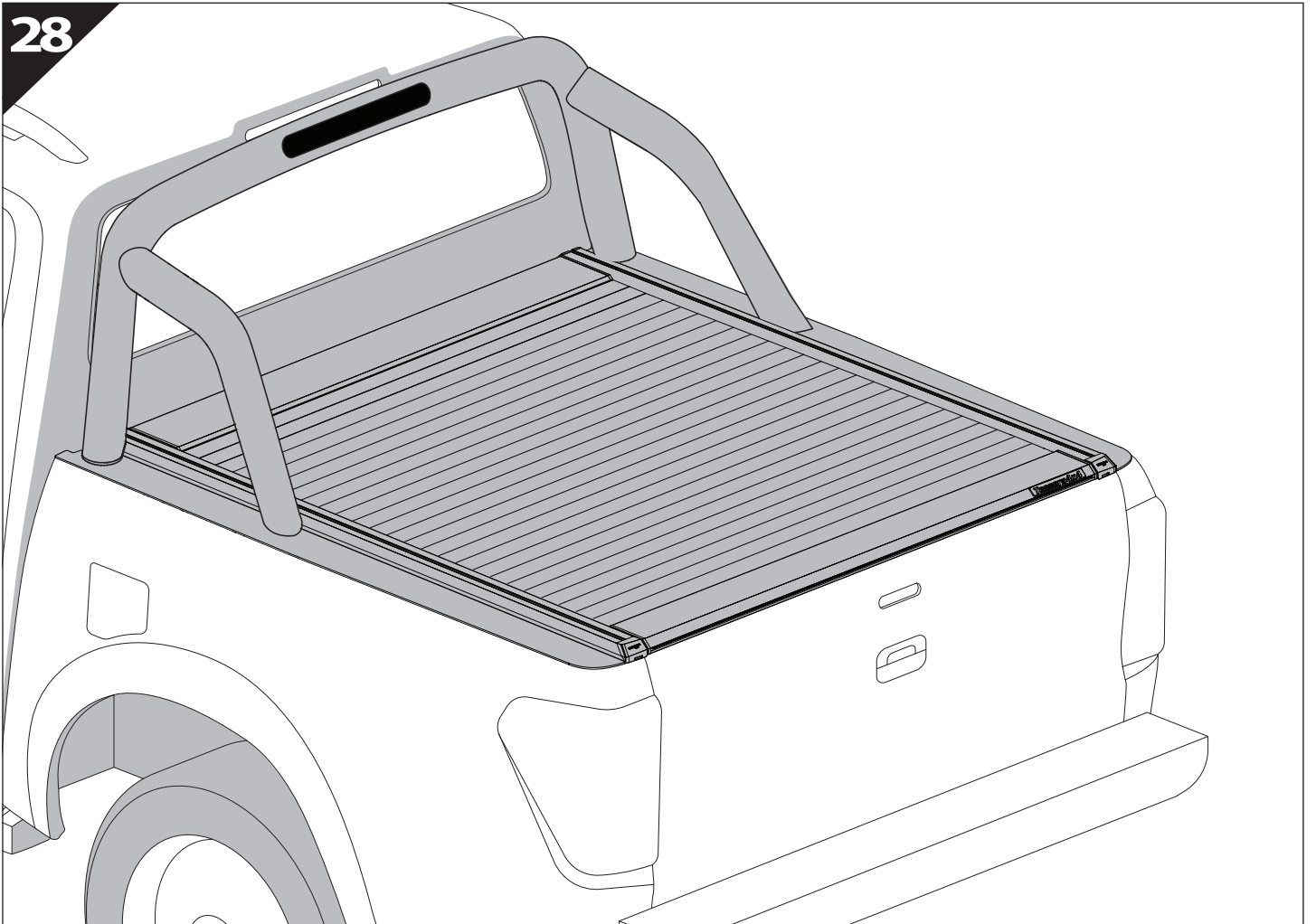
CAUTION !



27



28





GR: Οδηγίες Εγκατάστασης
GB: Installation manual
SF: Asennusohje
F: Notice de montage
PL: Instrukcja montażu
NL: Installatie-instructies
TR: Montaj Talimatı
S: Monteringsanvisning
E: Instrucciones de montaje

H: Szerelési utasítás
P: Instruções de instalação
RUS: Инструкция по установке
N: Monteringsveiledning
D: Einbauanleitung
CZ: Návod k instalaci
I: Istruzioni de montaggio
DK: Monteringsvejledning
RO: Instructiuni de instalare

Customer Service:

+30 (210) 5541161, +30 (210) 5541154 (08:00 - 16:00 EET)

Support department:

info@gianso.gr

Website:

www.tessera4x4.com

Address:

19.5 km of National road Athens-Korinthos (Elefsina) Greece, P.C: 19200