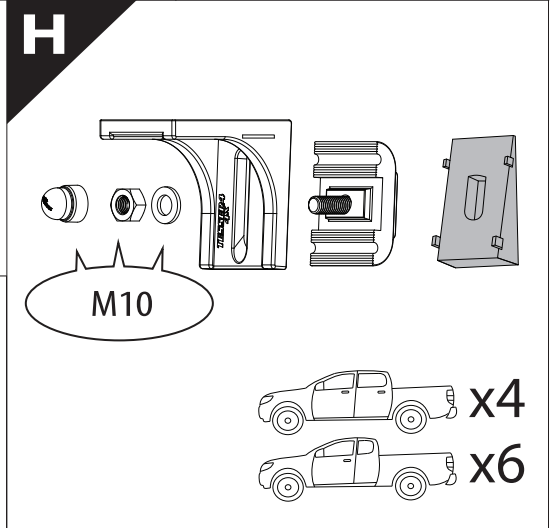
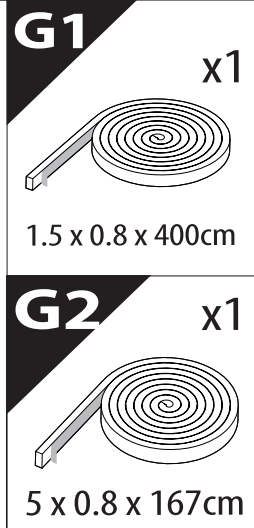
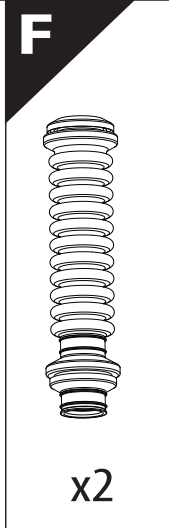
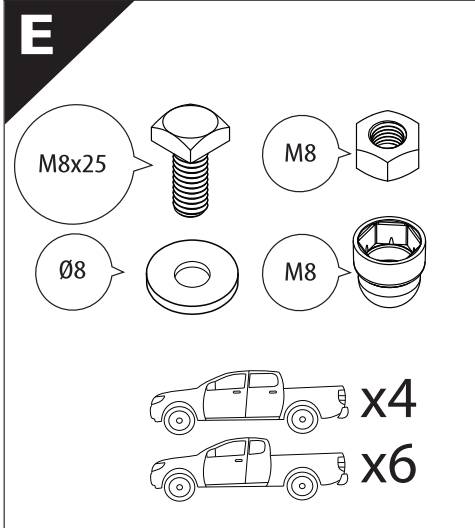
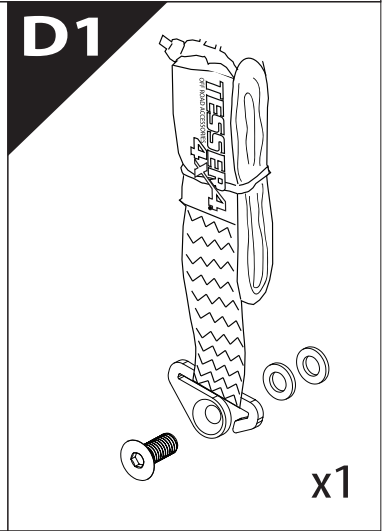
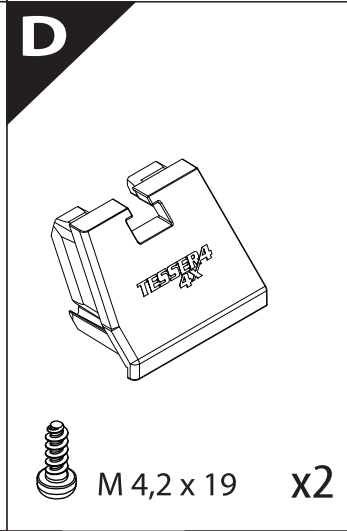
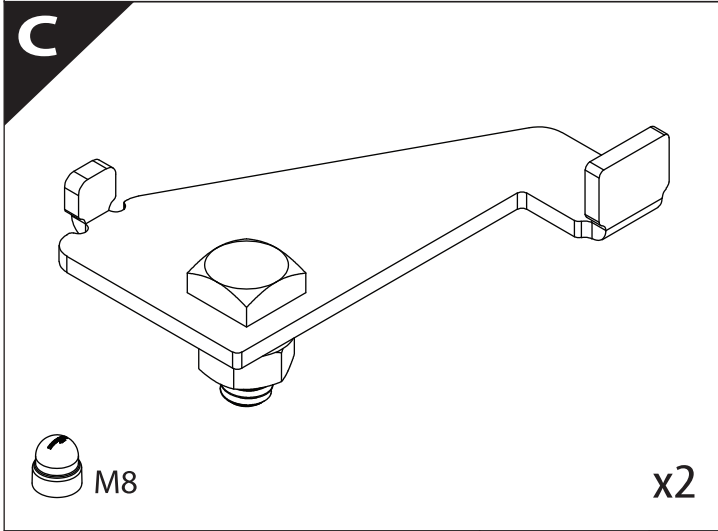
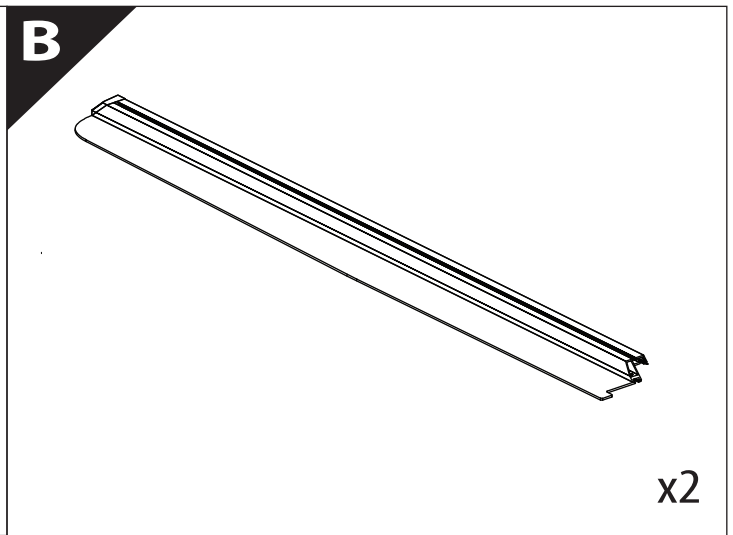
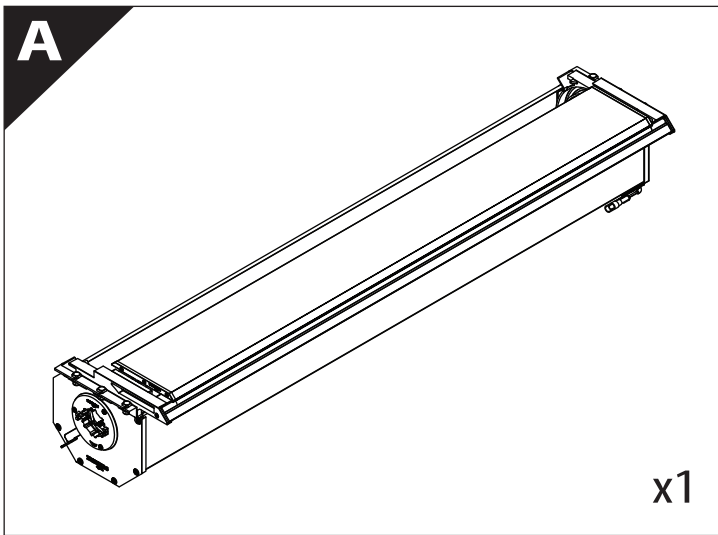
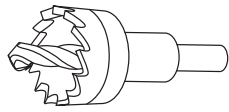


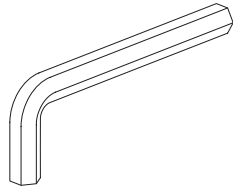
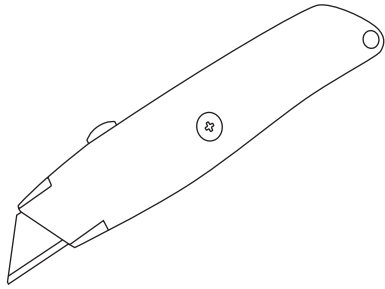
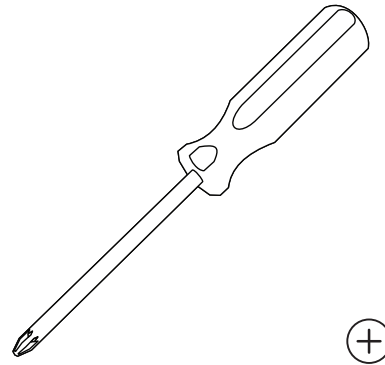
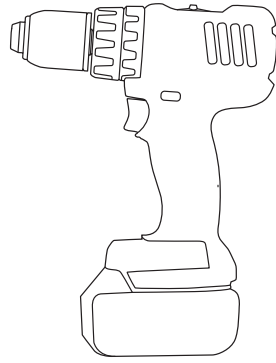
Installation Manual

PART NUMBER(S)	Model Year
TESS 1516 SE	Toyota Hilux (Revo) 2016+
TESS 1517 SE	
Cab(s)	Installation Time / Weight
Double Cab & Space cab	40-60 minutes / 53-57 kg



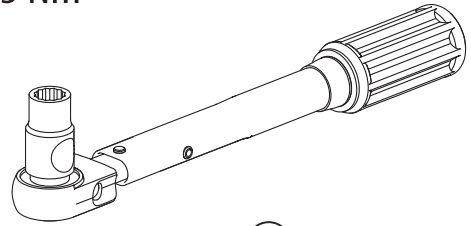


Ø 25 mm / Ø 40 mm



4 mm

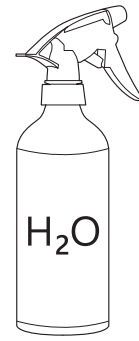
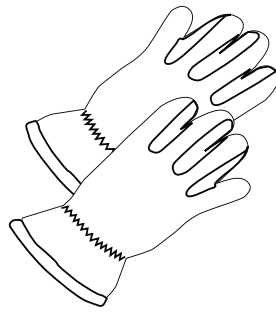
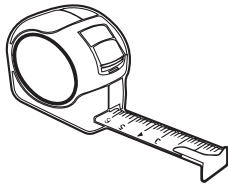
1 - 25 Nm



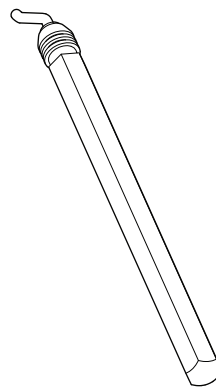
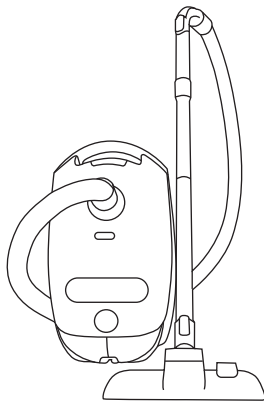
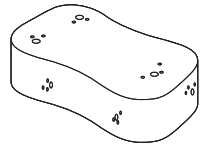
13, 17 mm



ACETONE



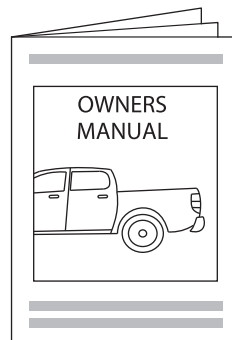
H₂O



ANTI-RUST

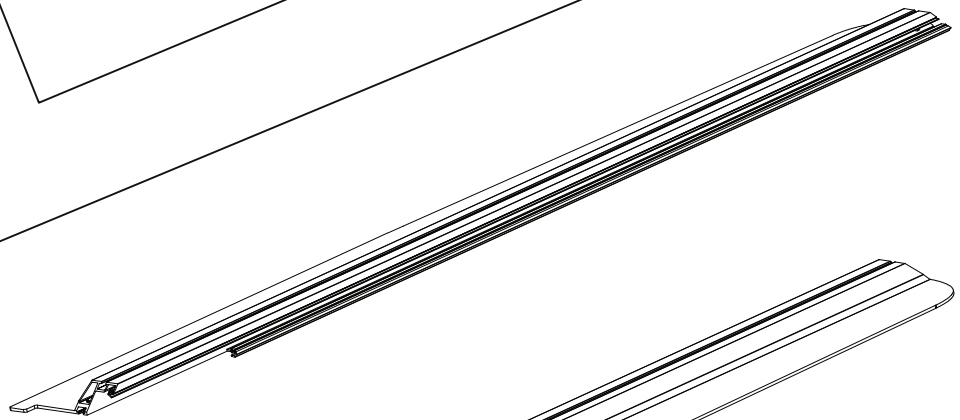
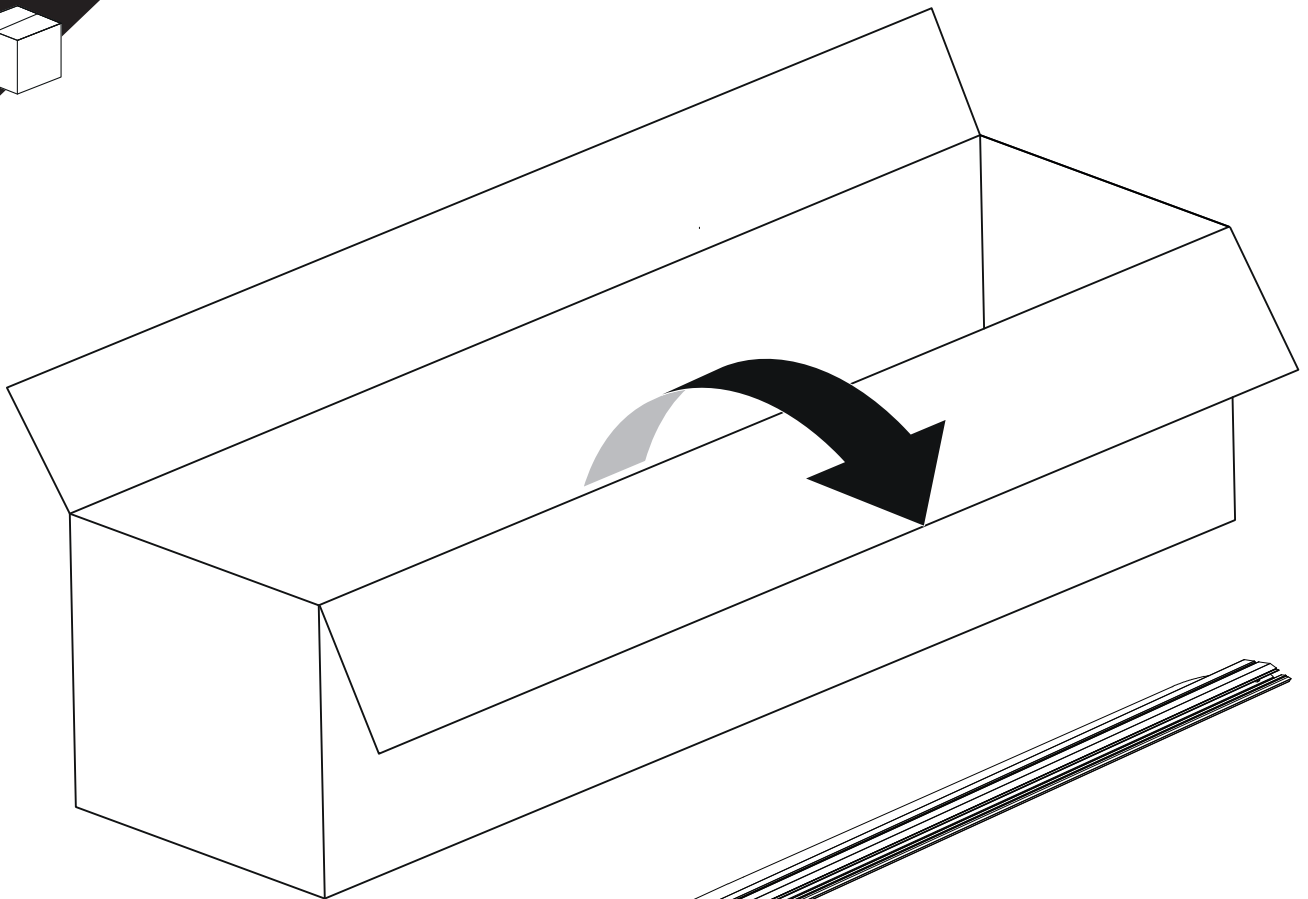


INSTALLATION
MANUAL

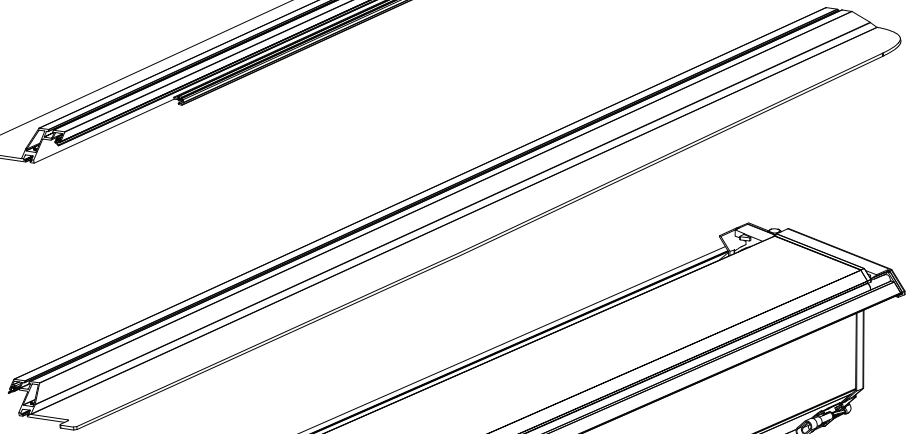


OWNERS
MANUAL

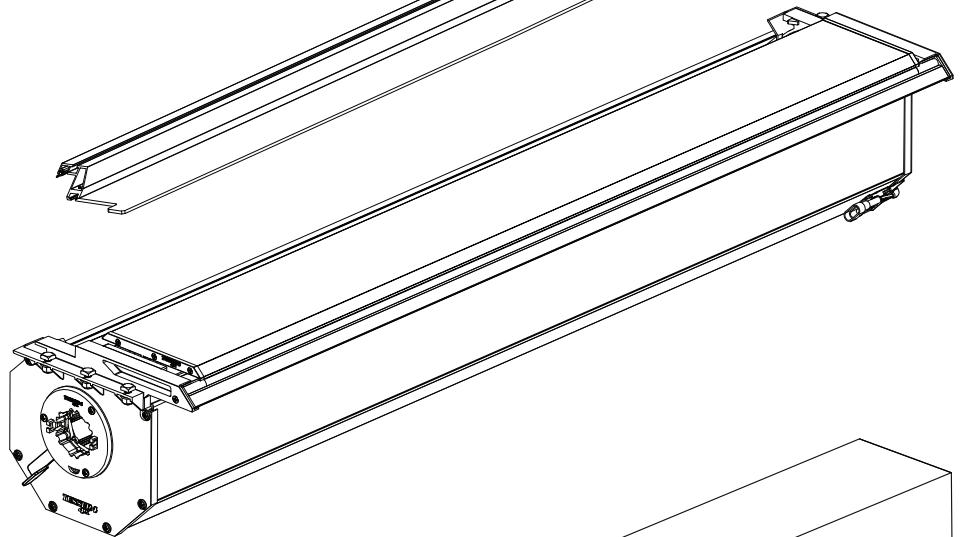
x1



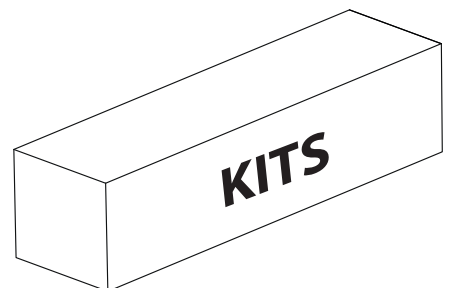
B



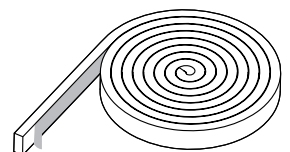
A

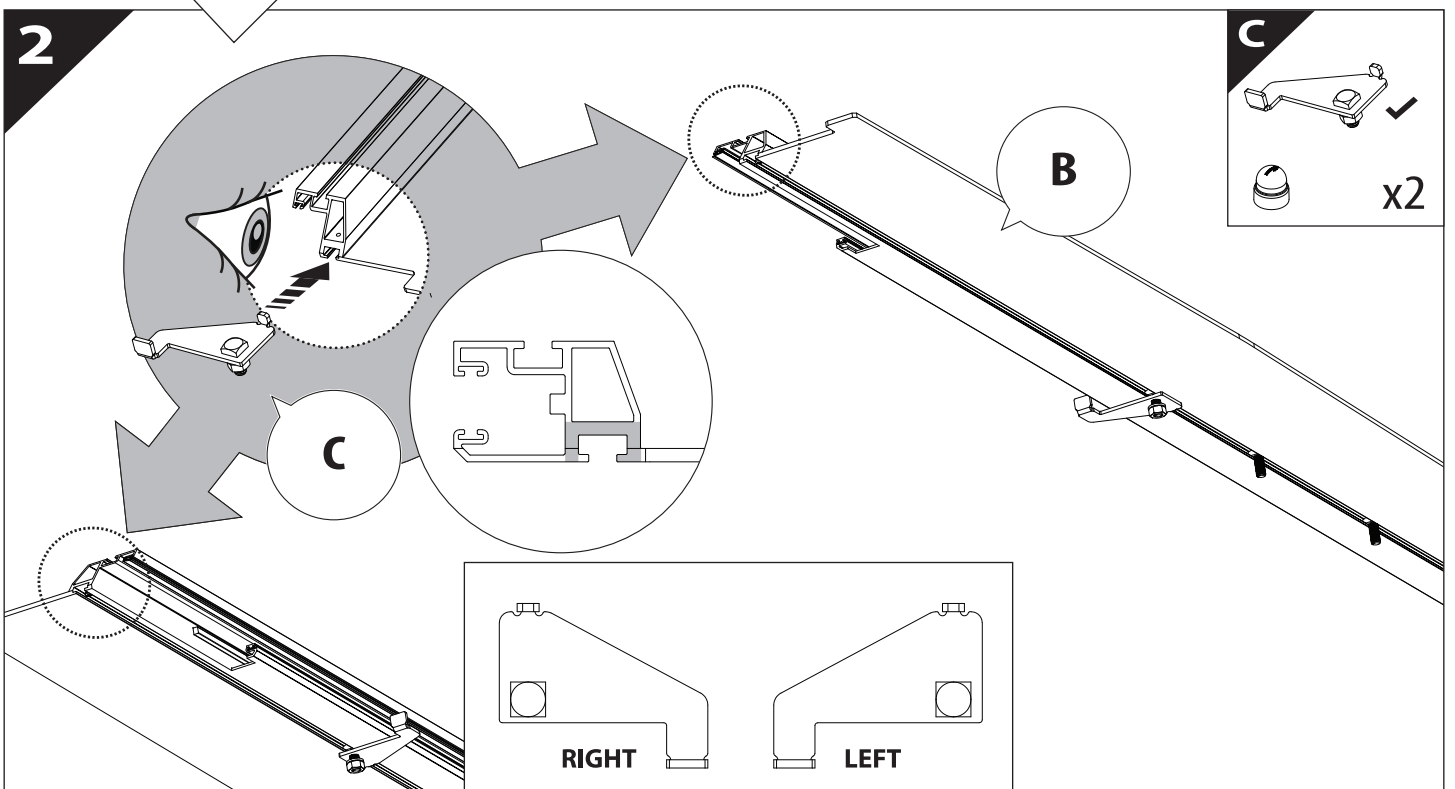
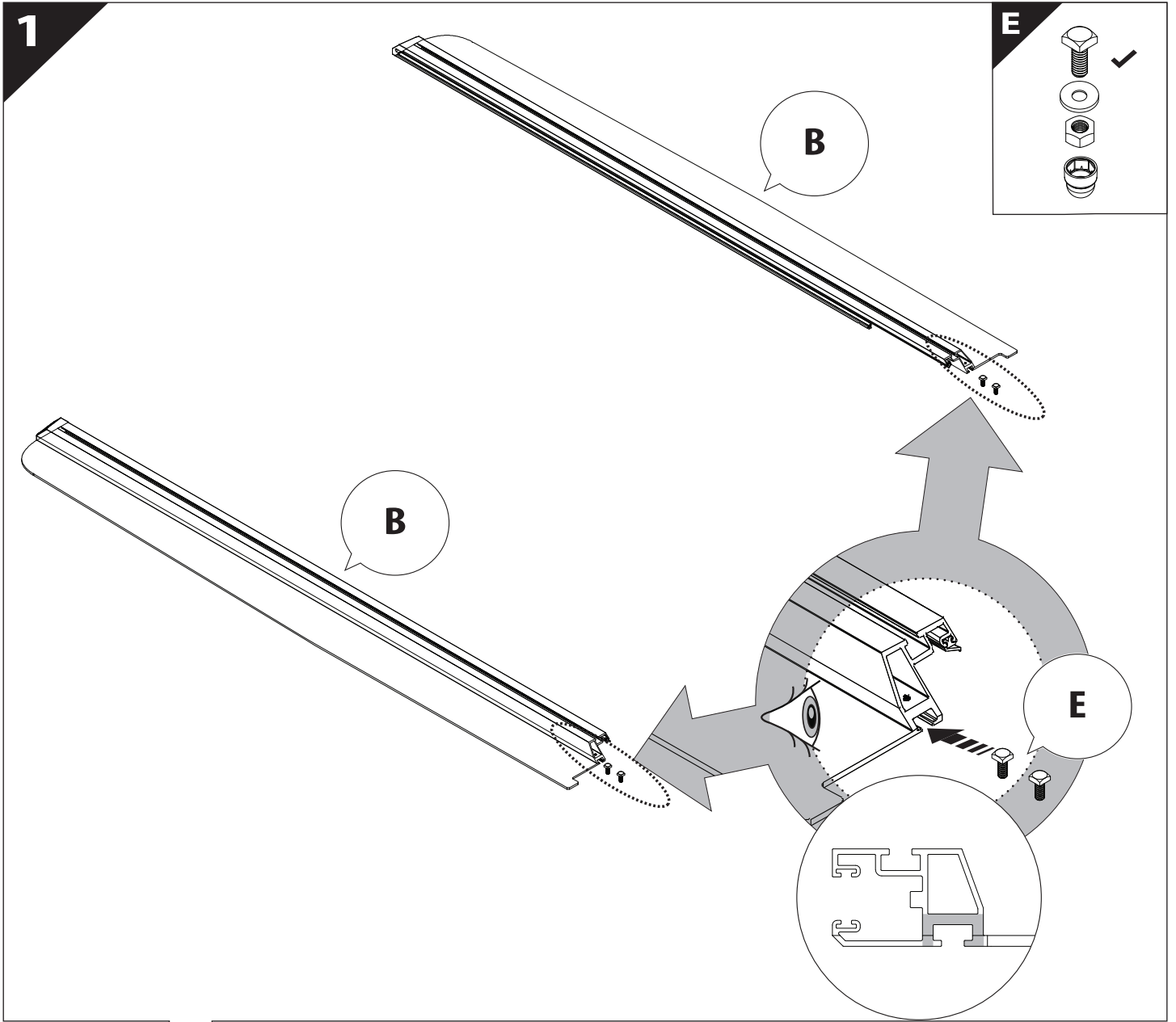


KITS

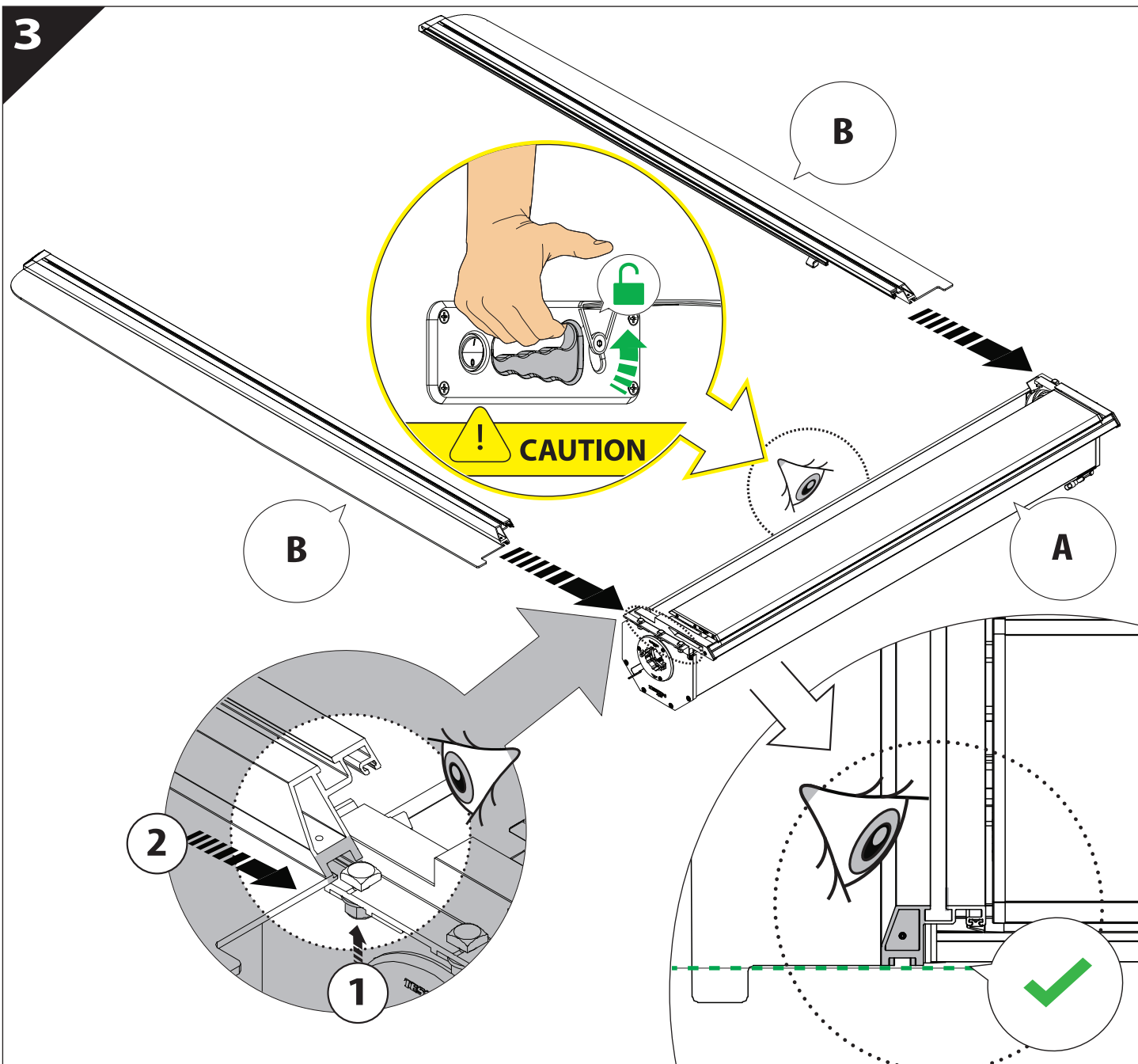


G

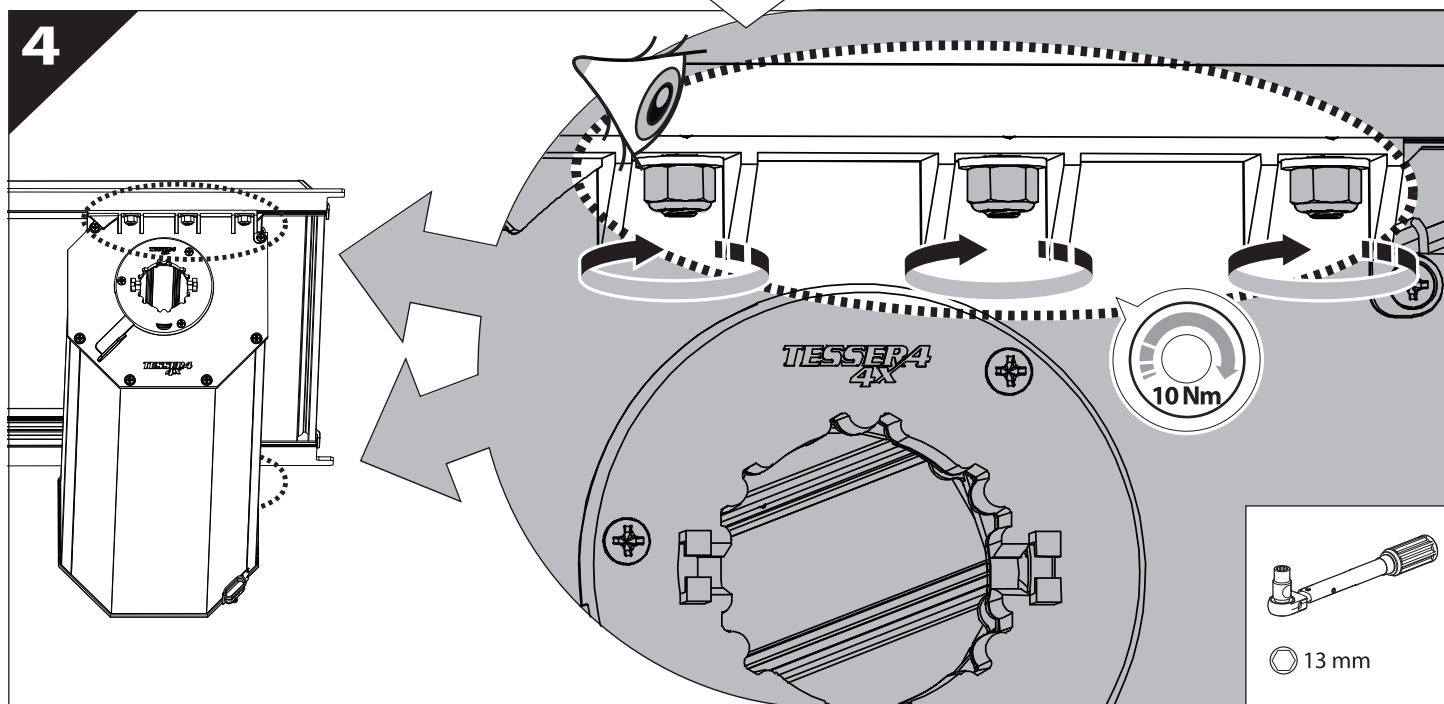


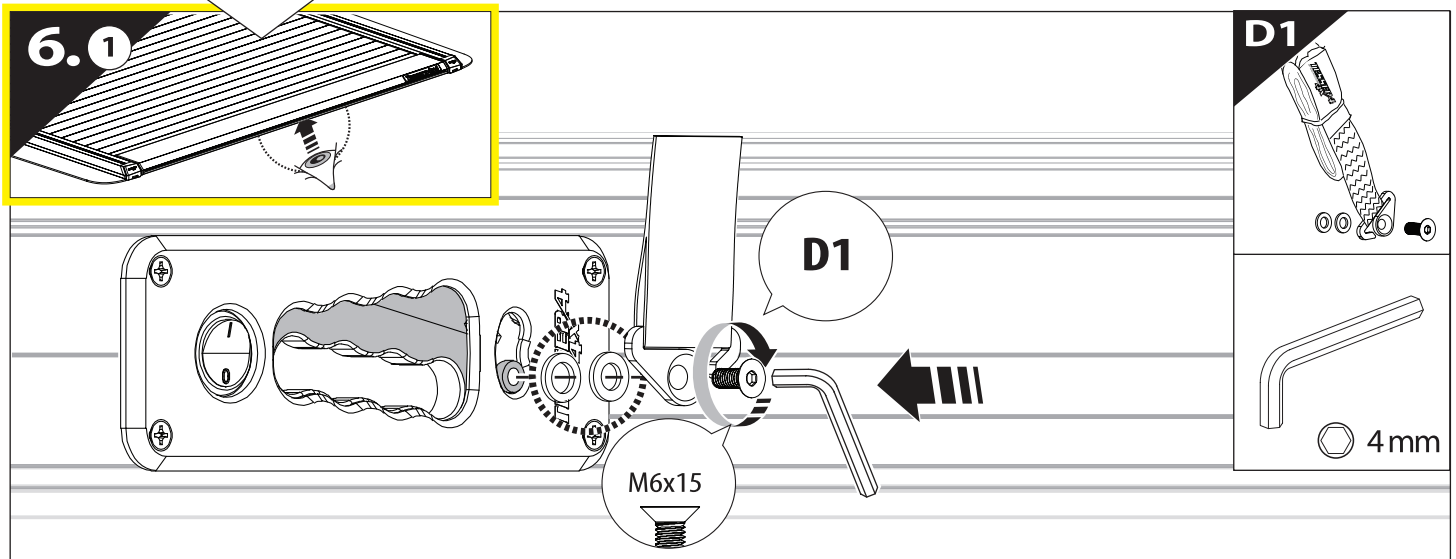
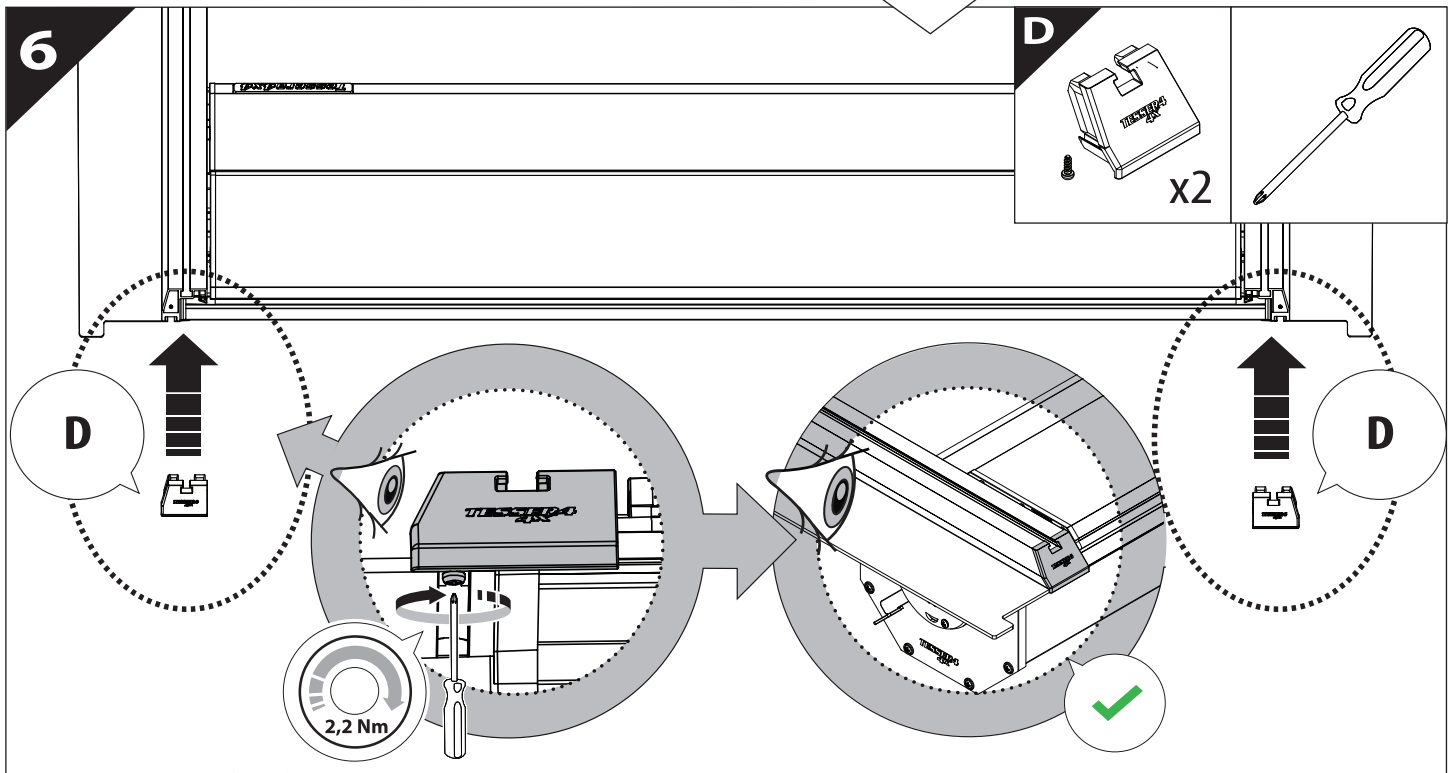
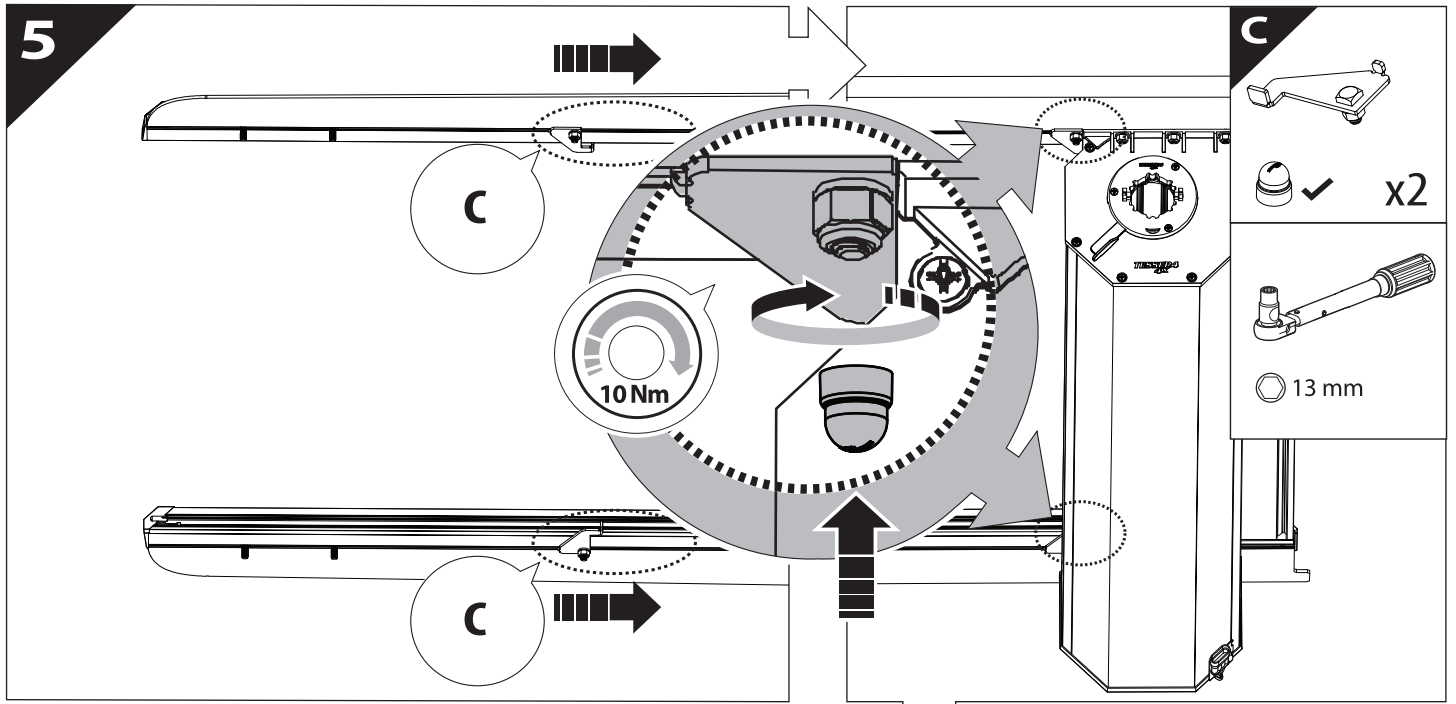


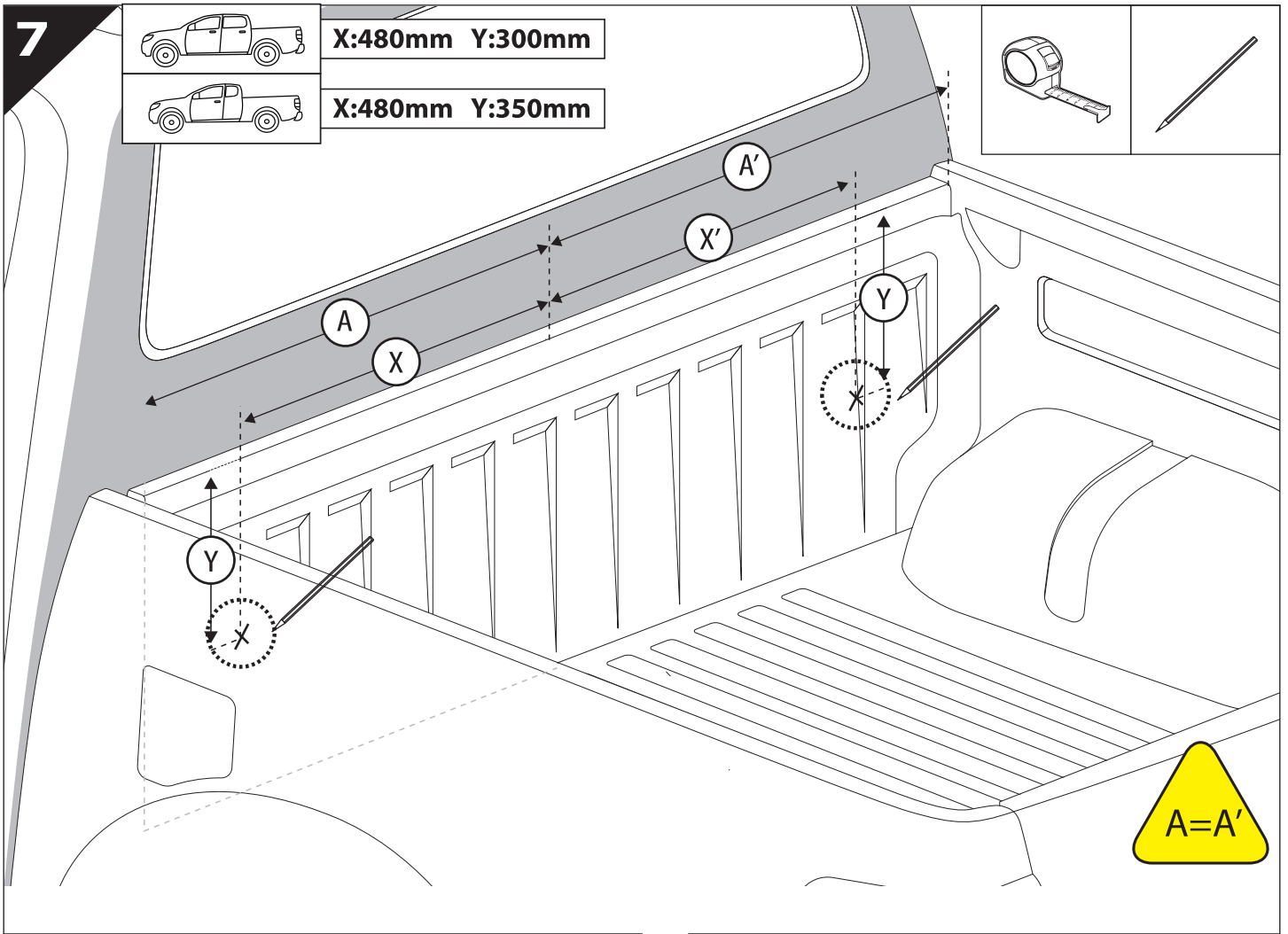
3

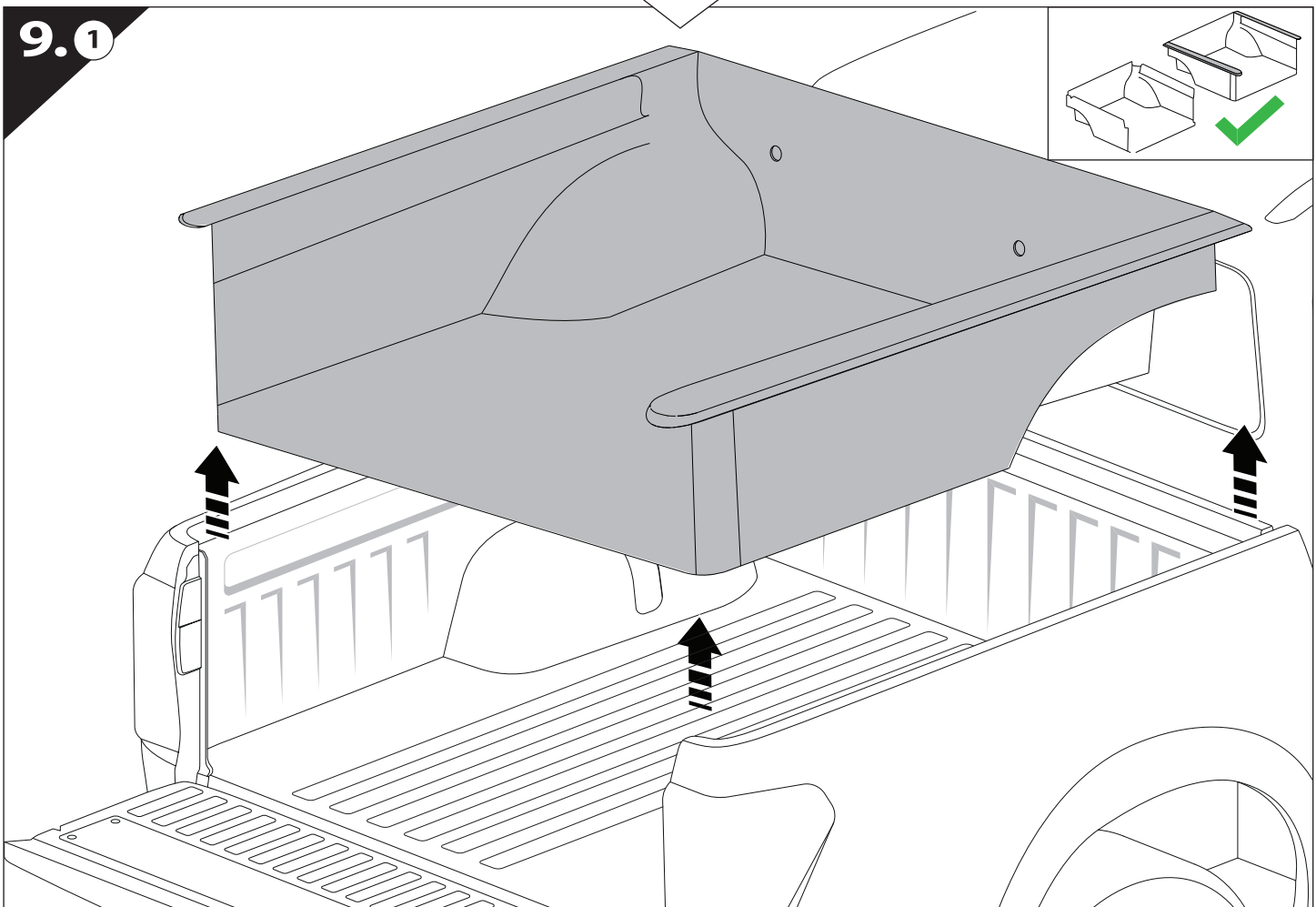
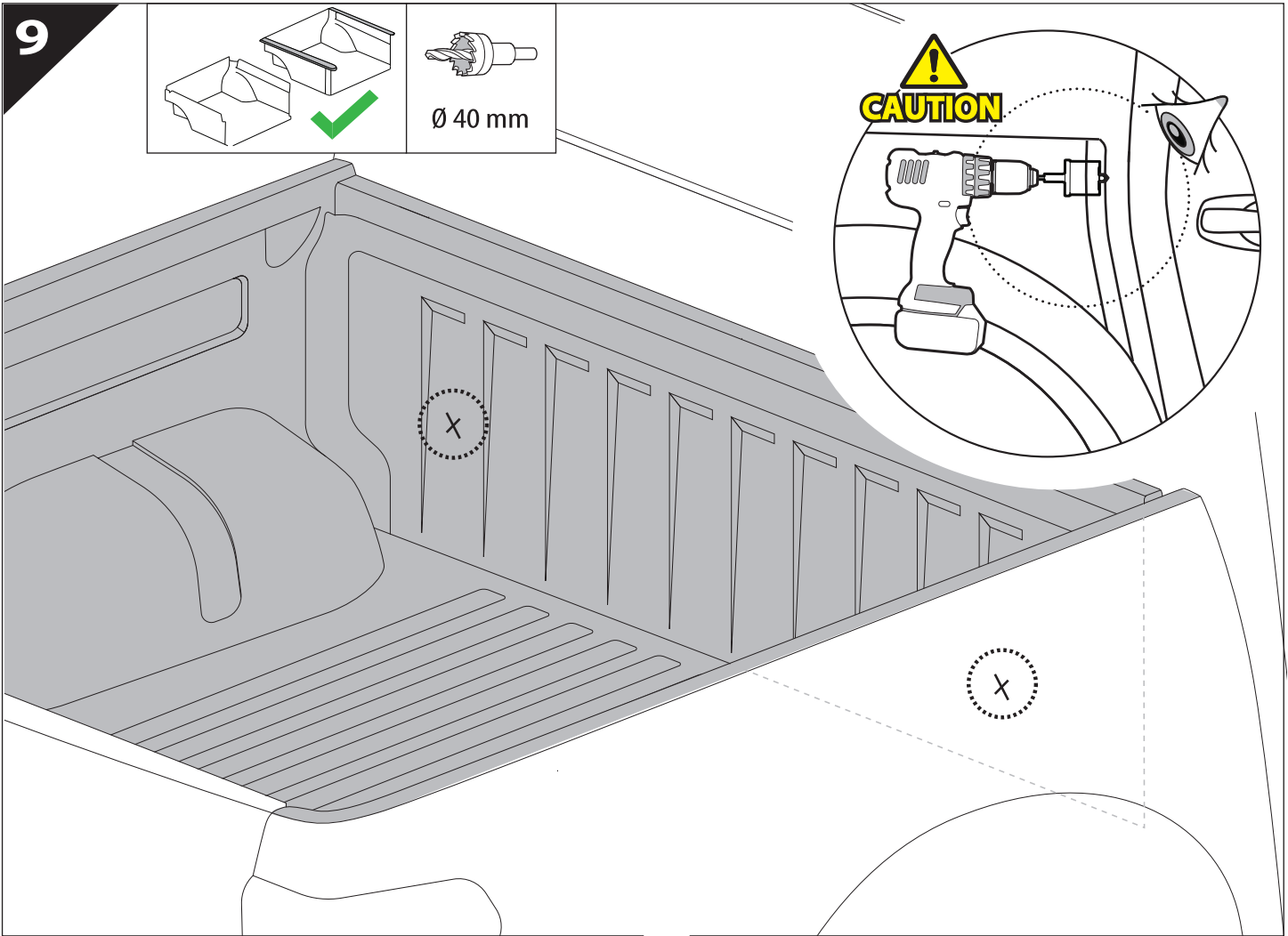


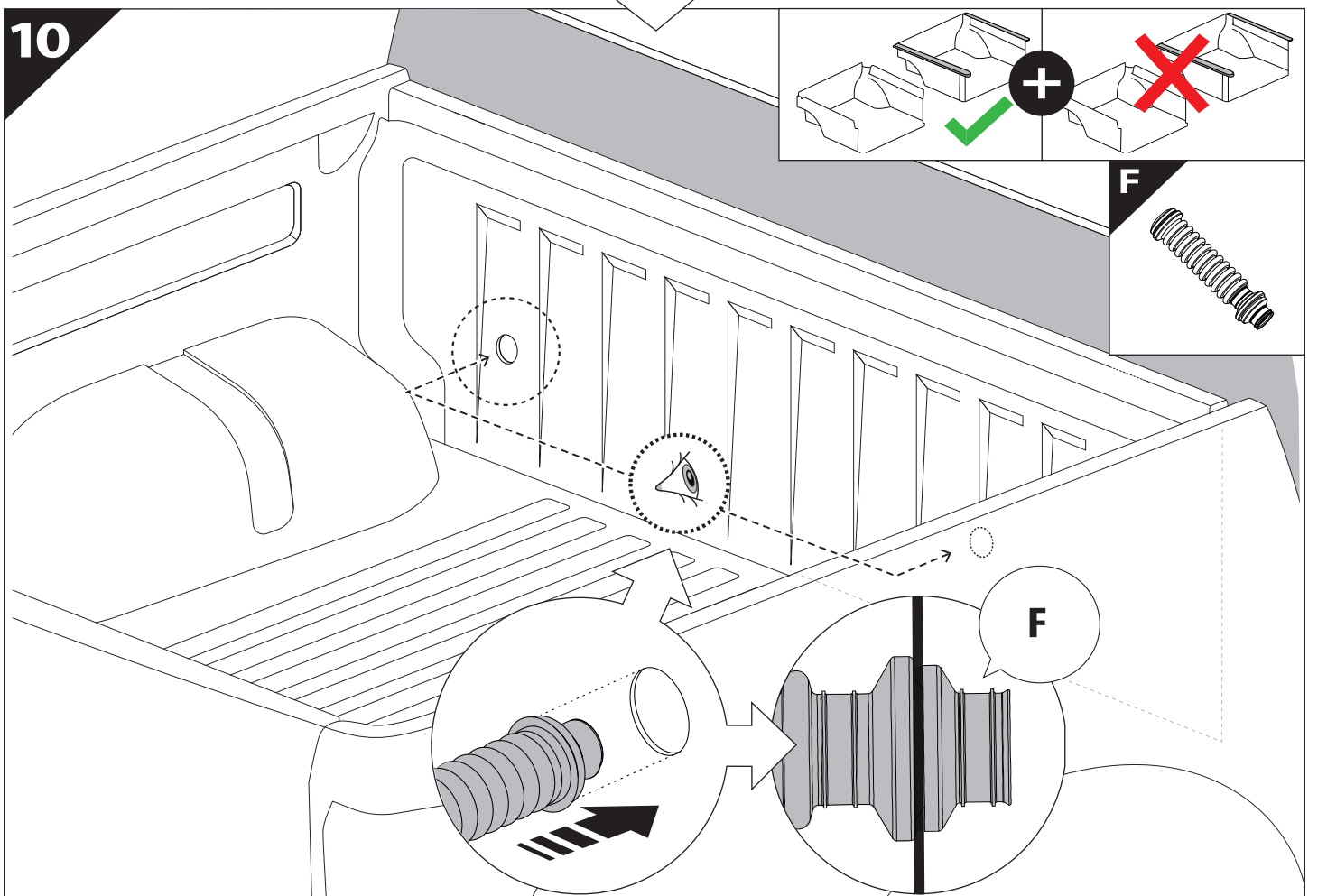
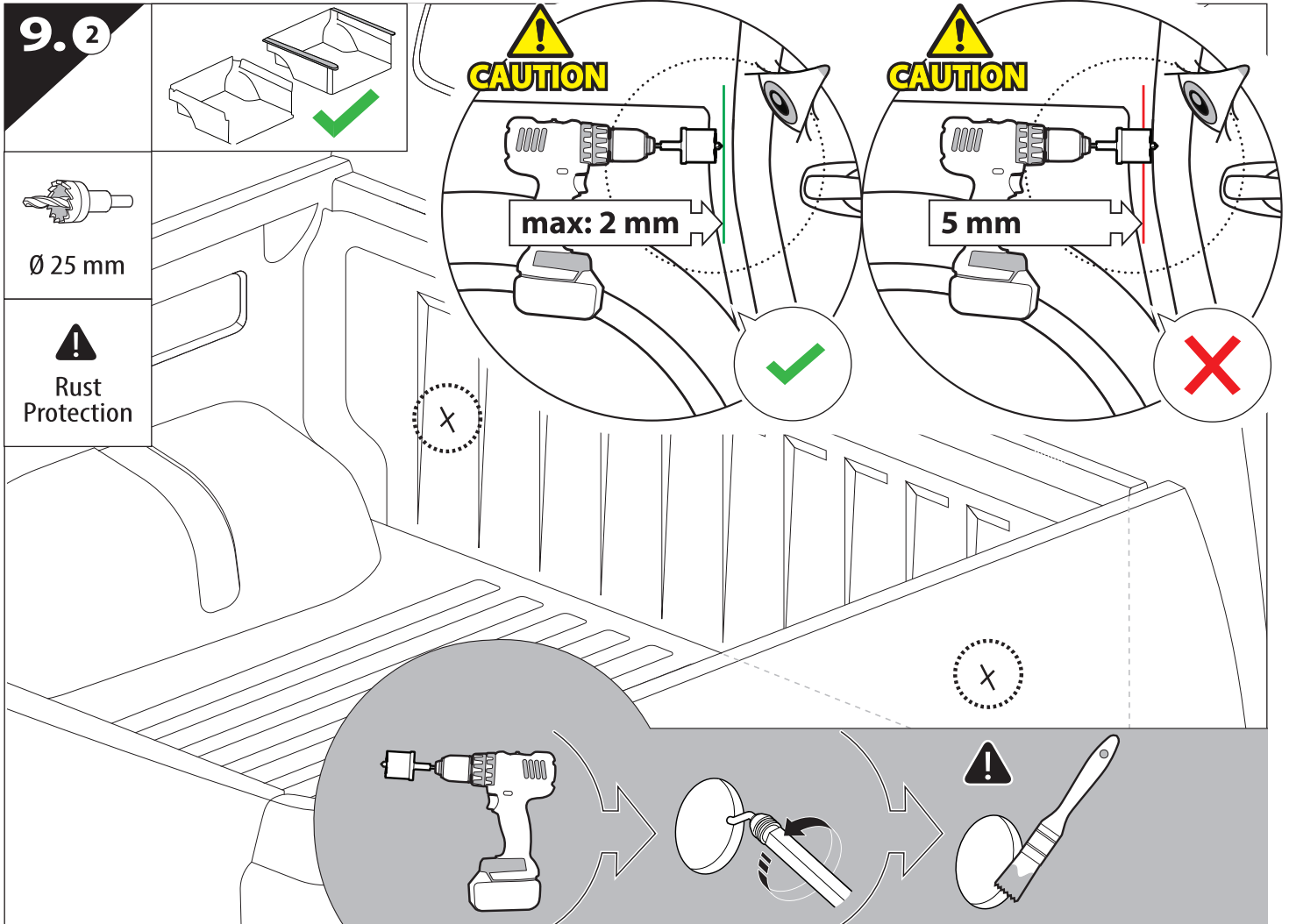
4



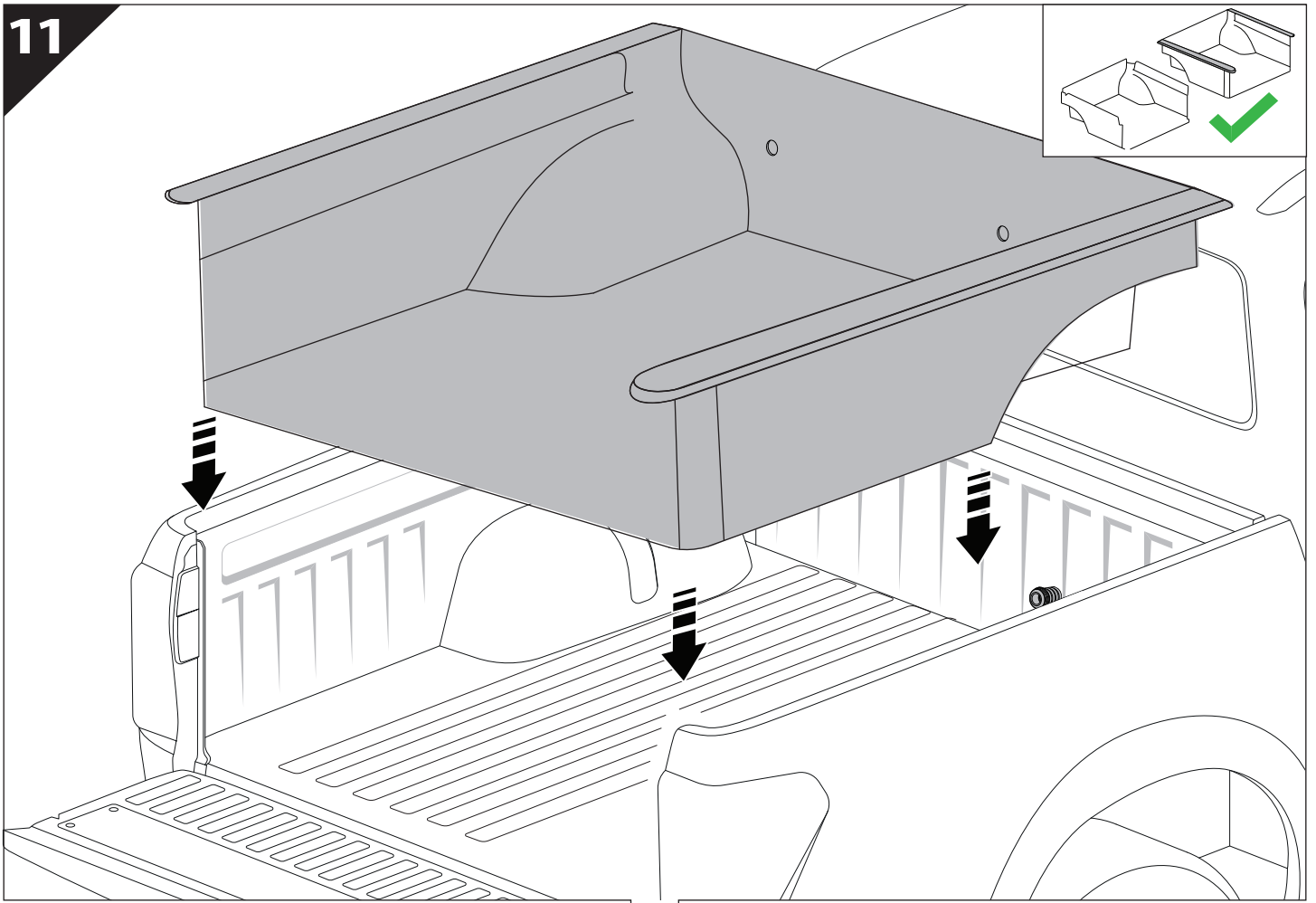




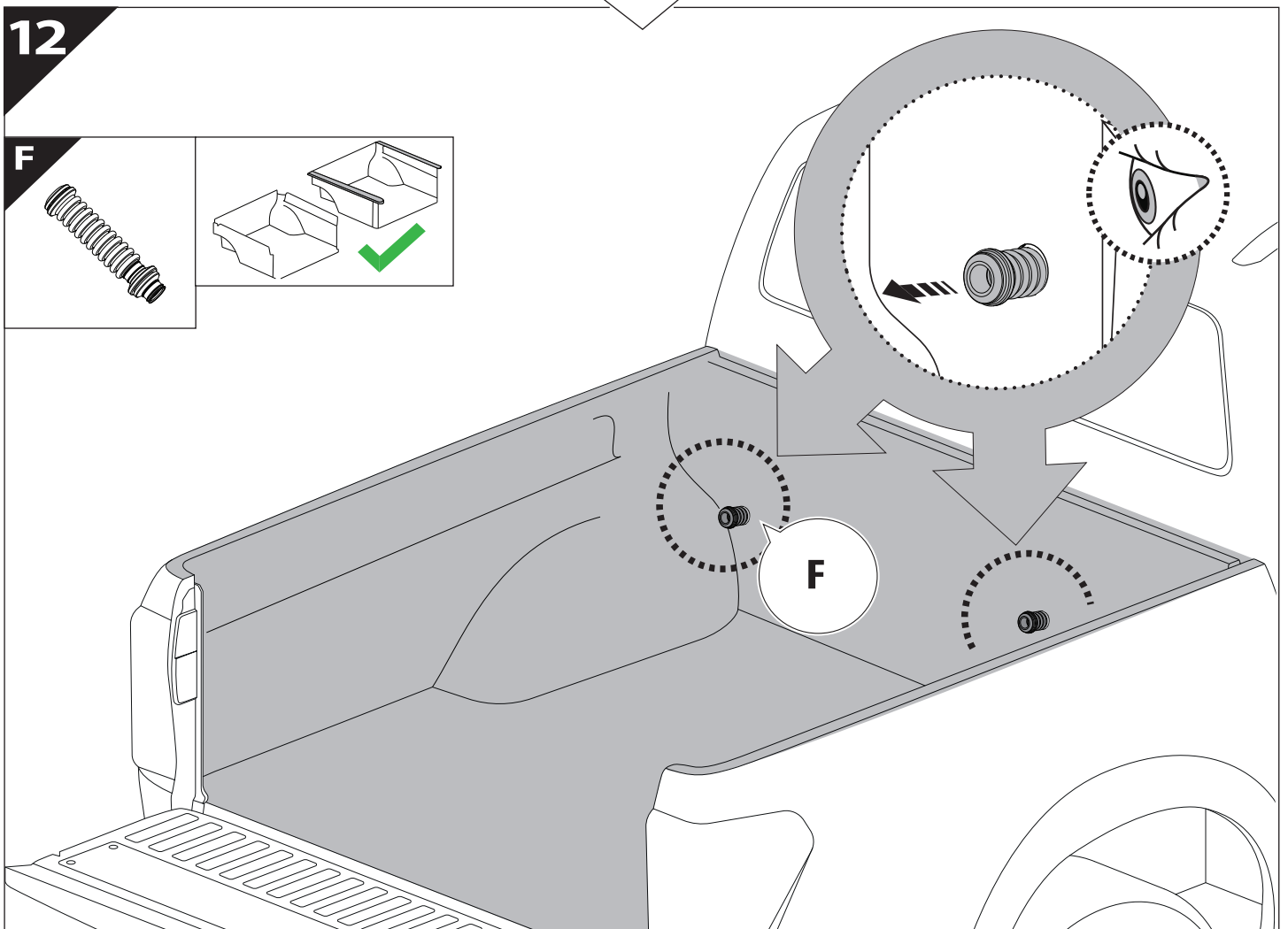




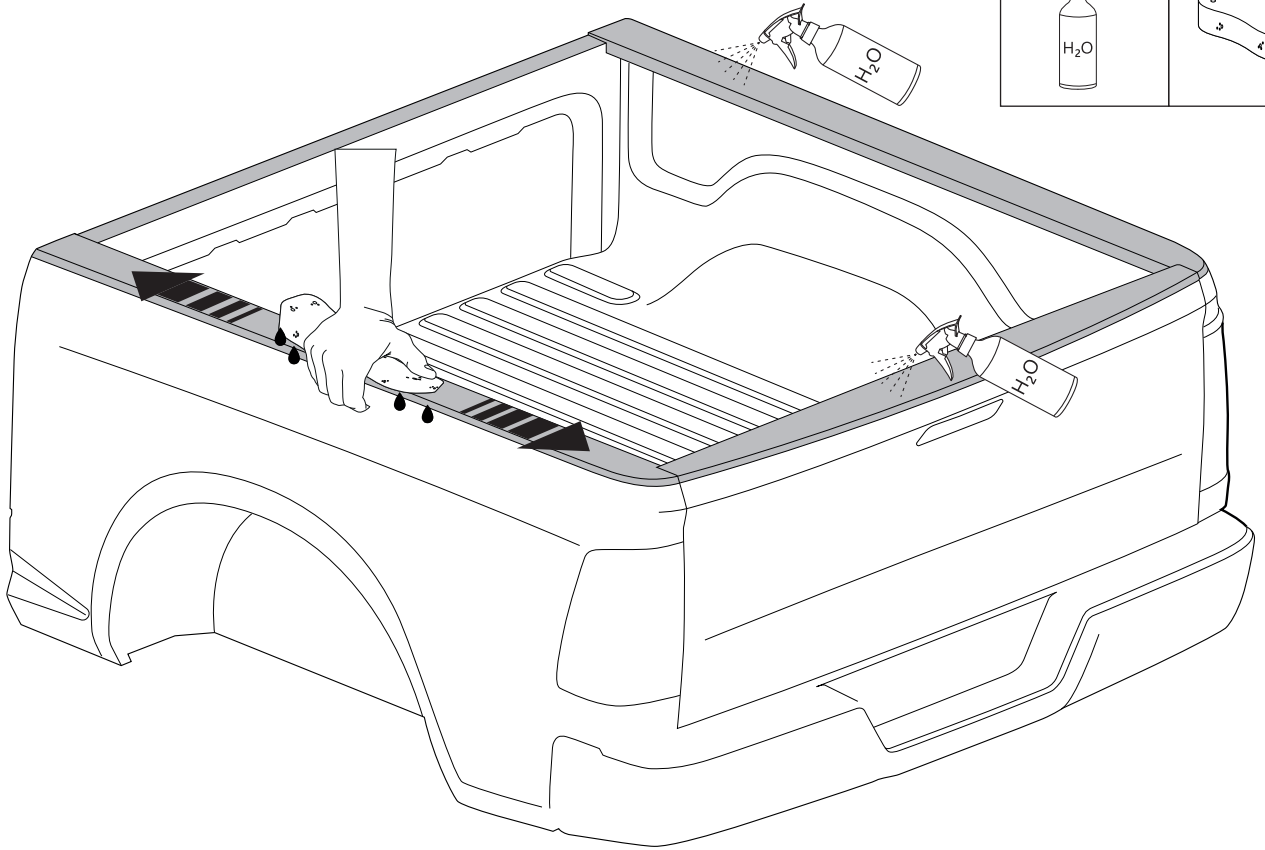
11



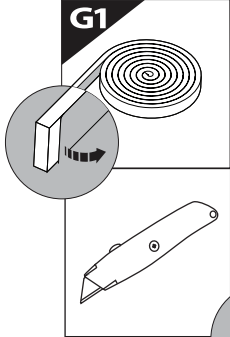
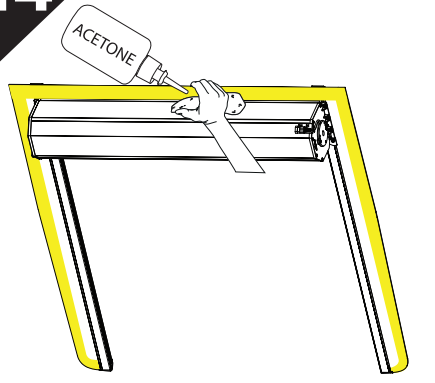
12



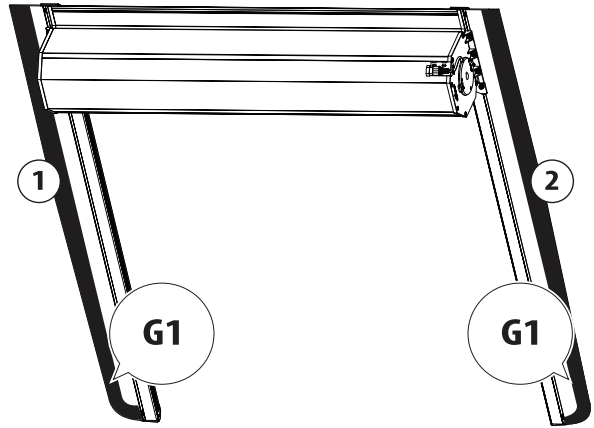
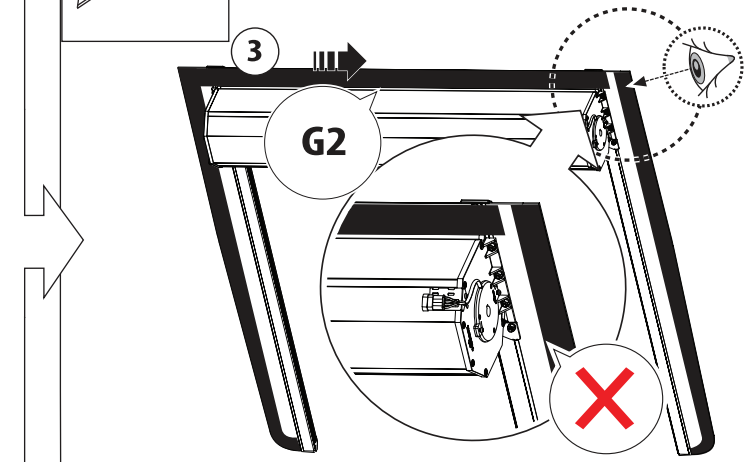
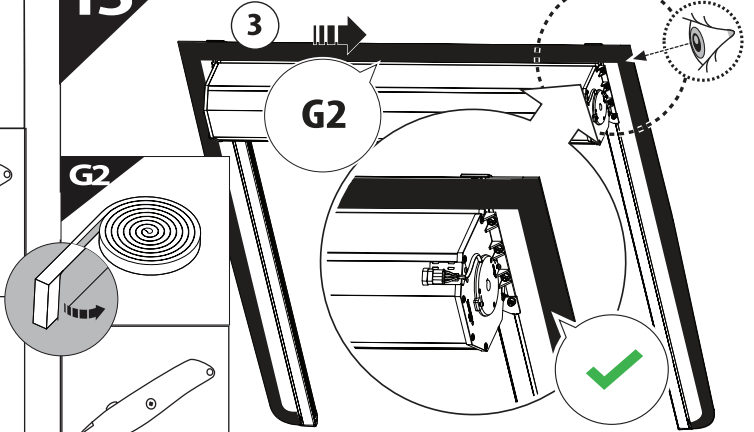
13

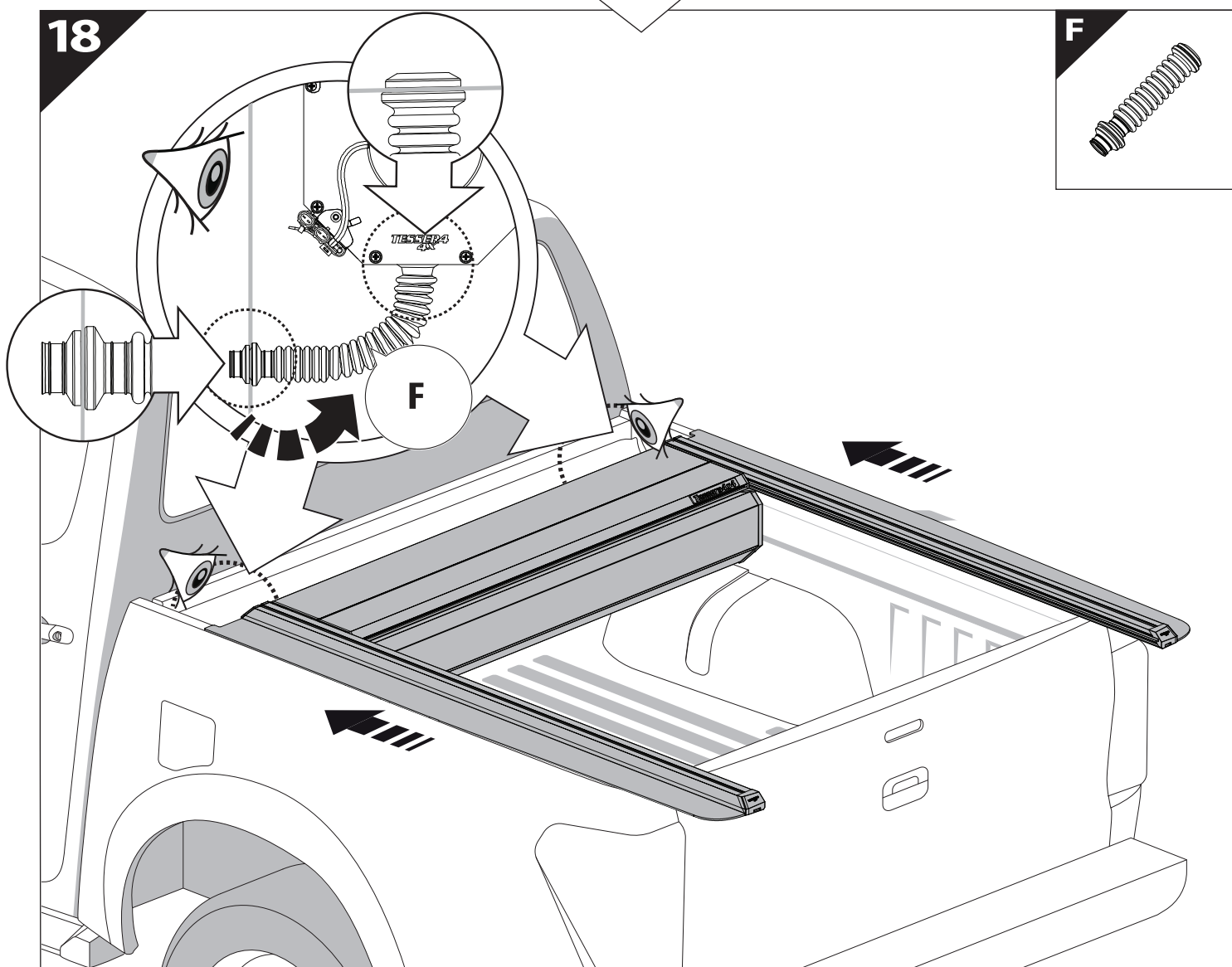
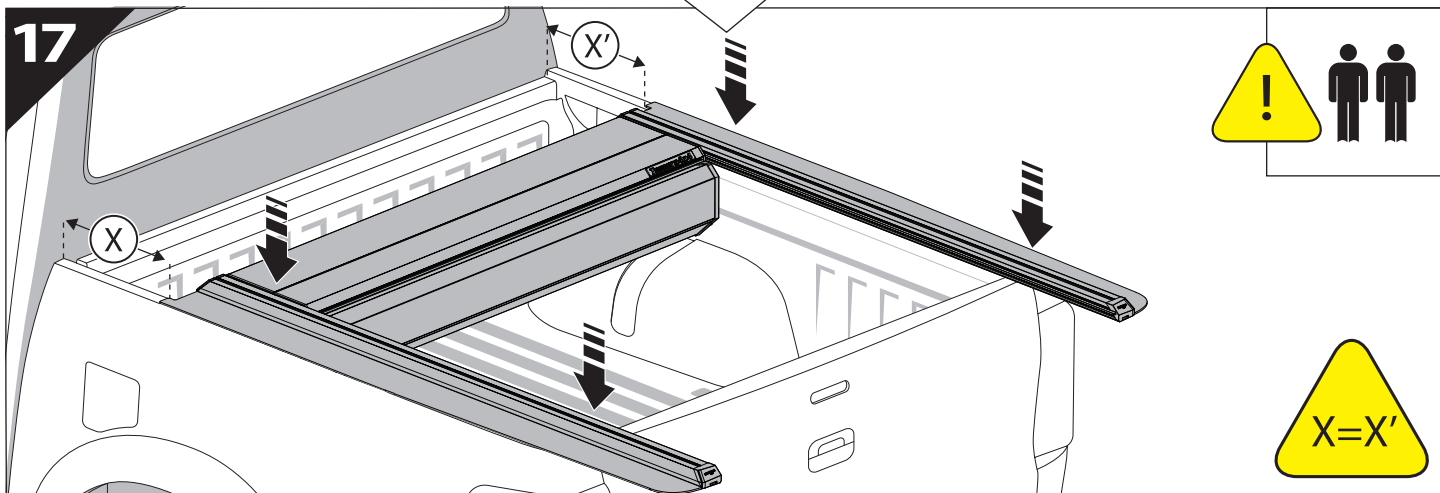
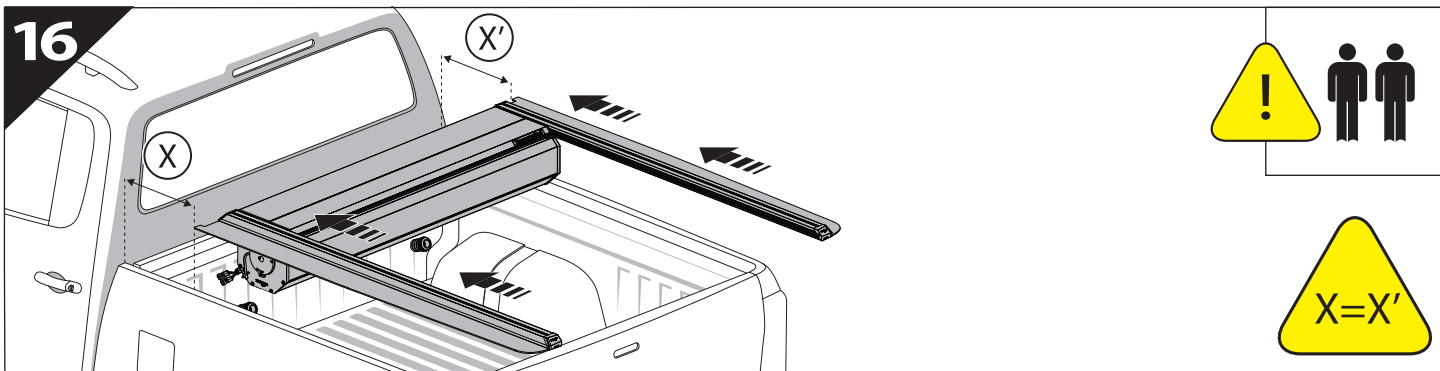


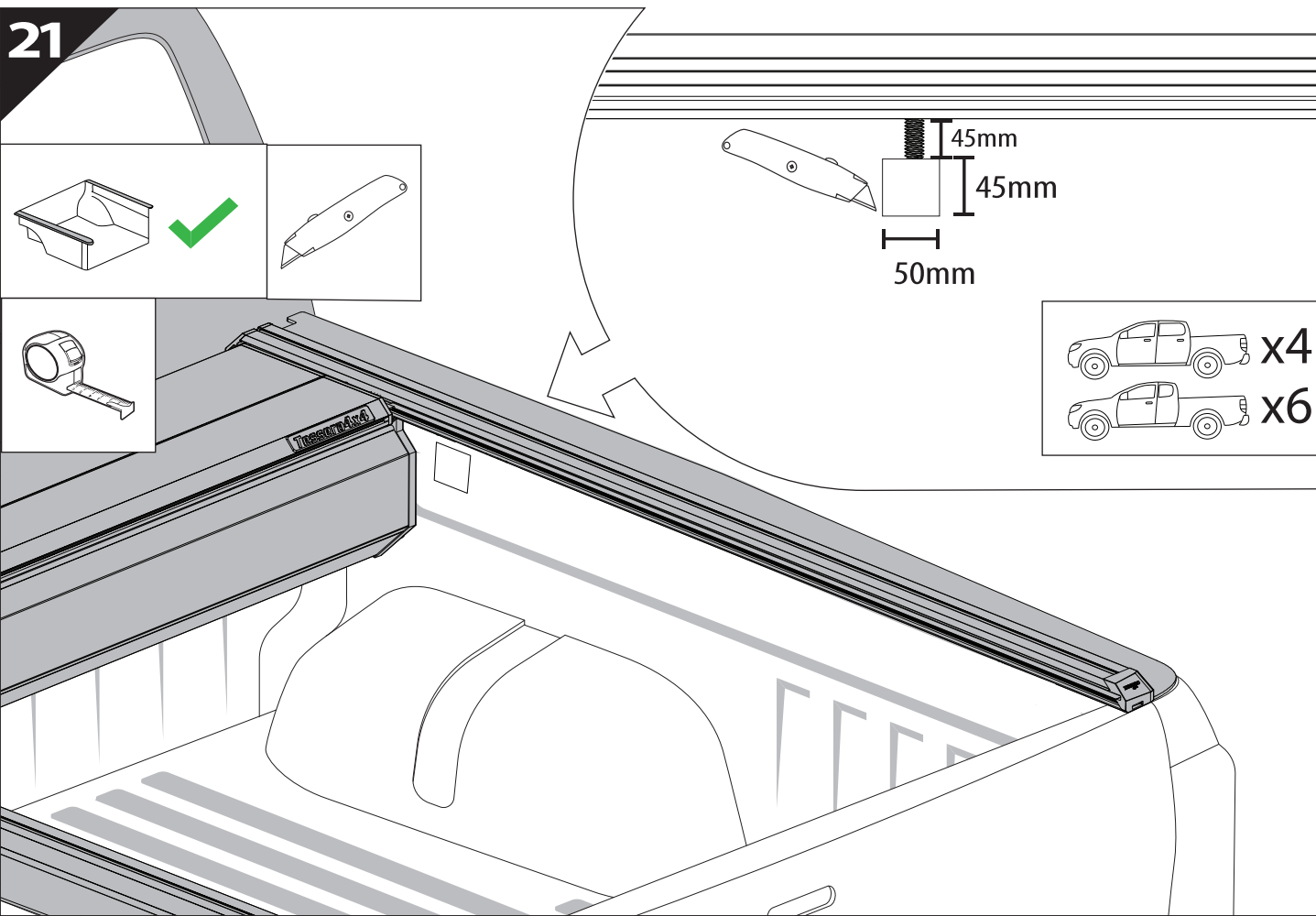
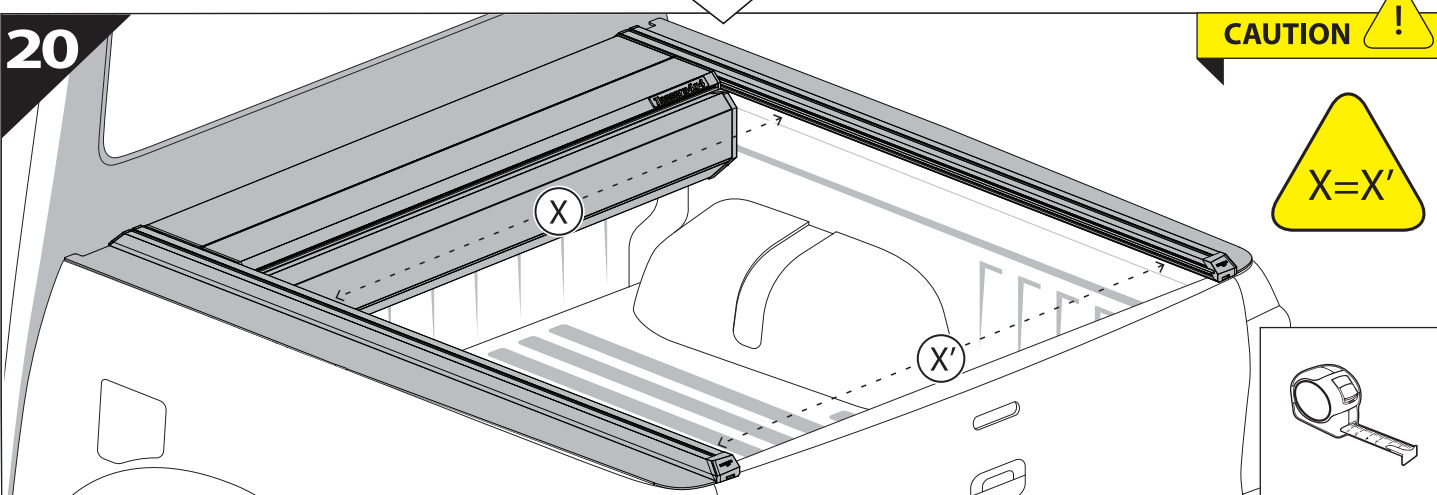
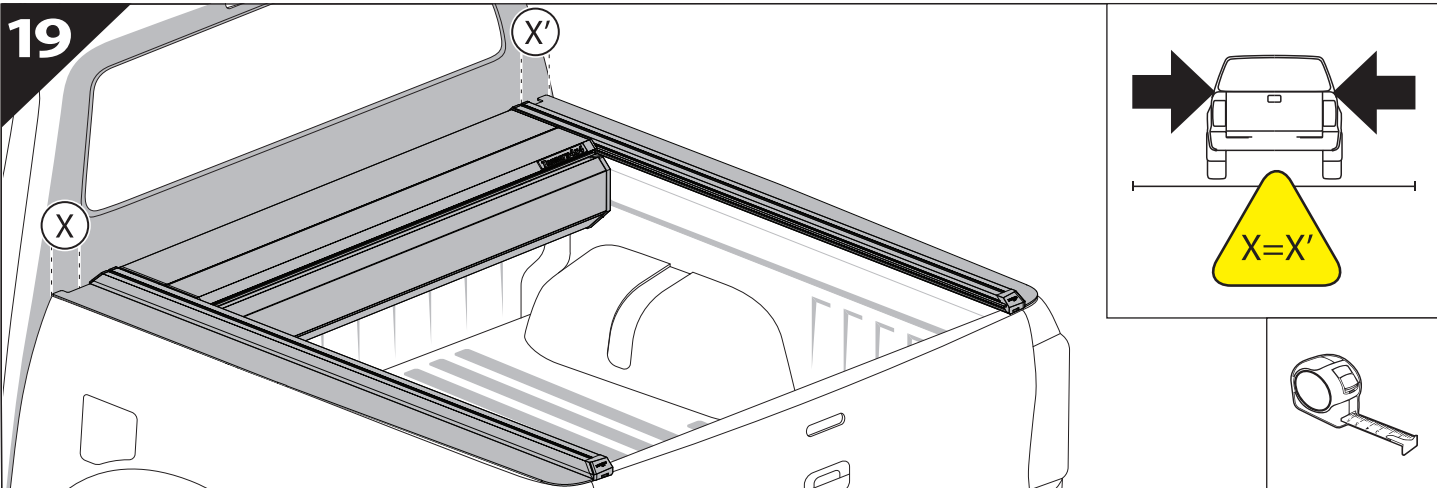
14



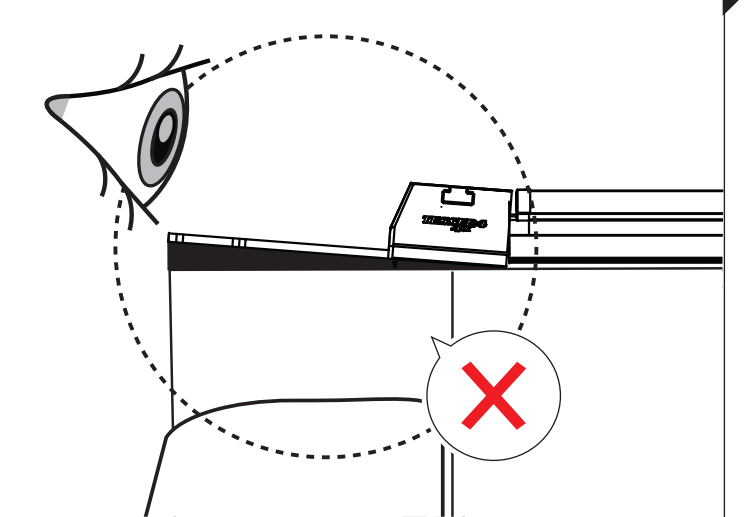
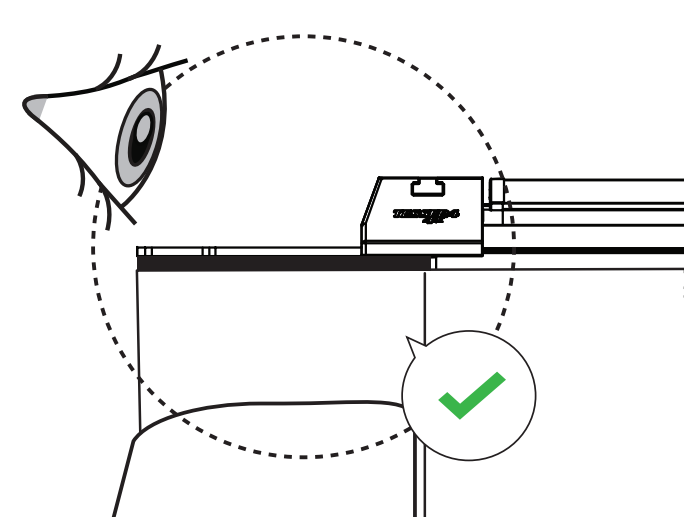
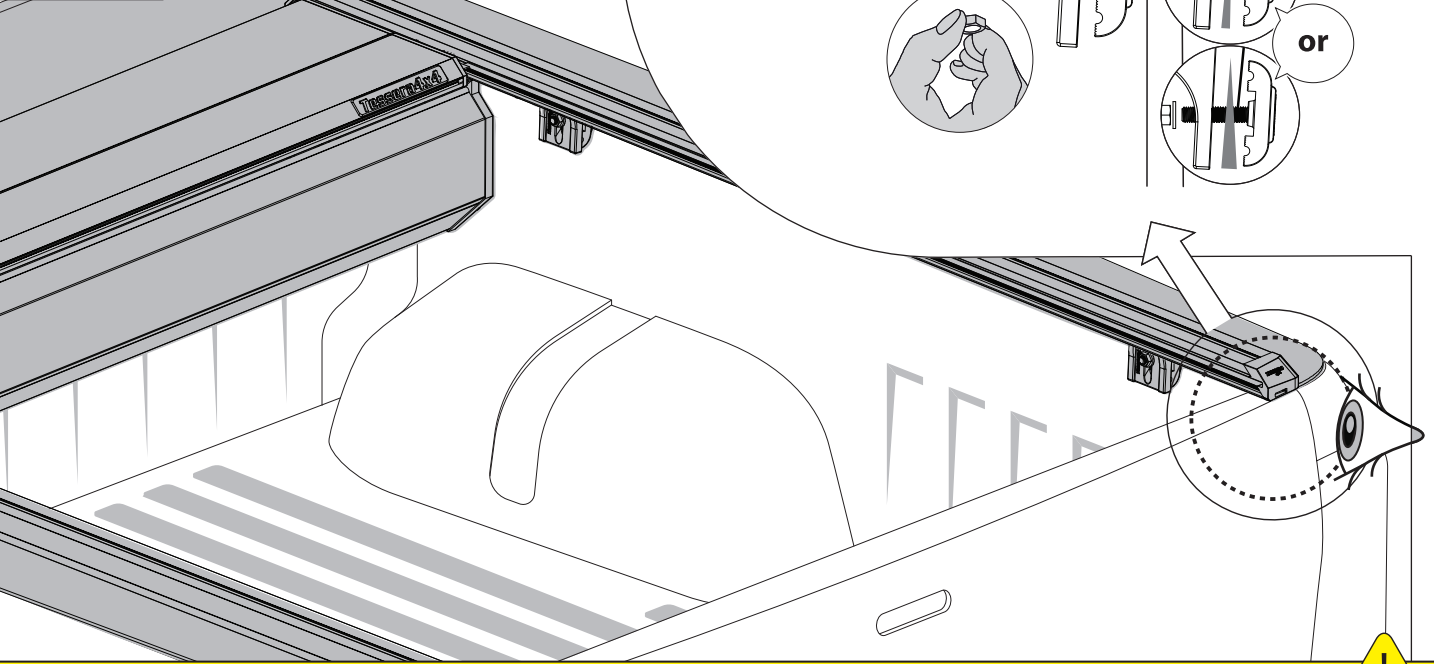
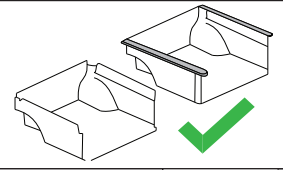
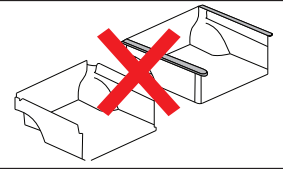
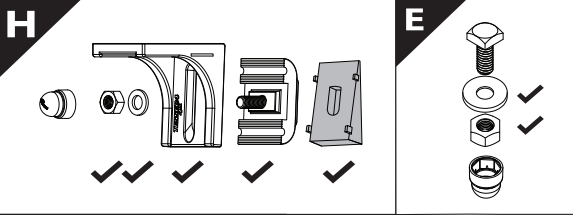
15

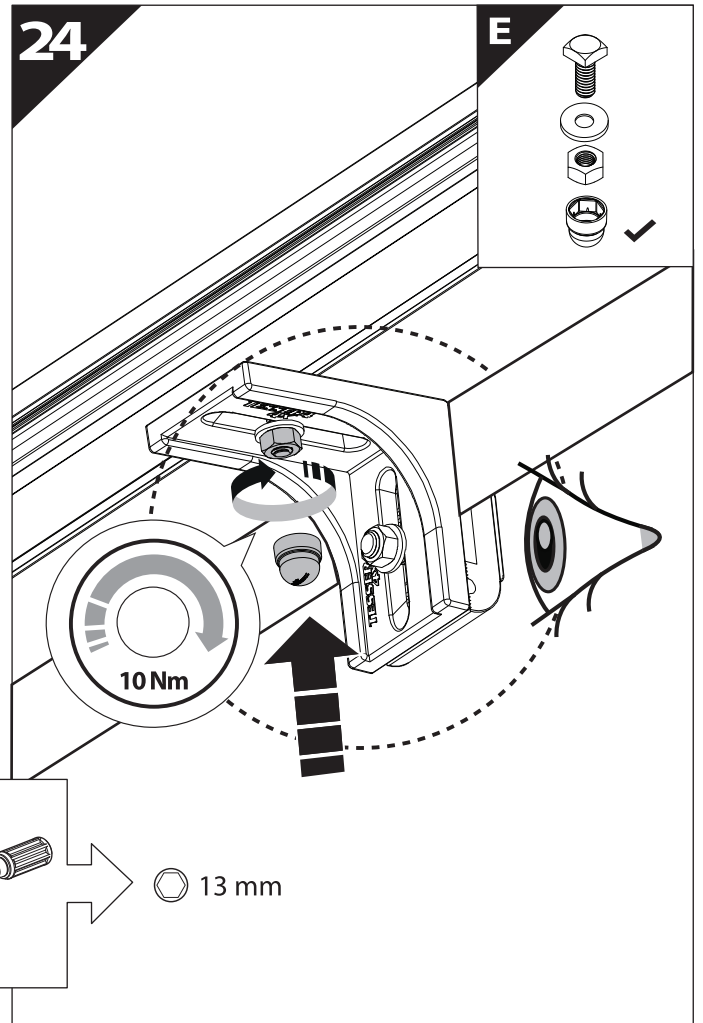
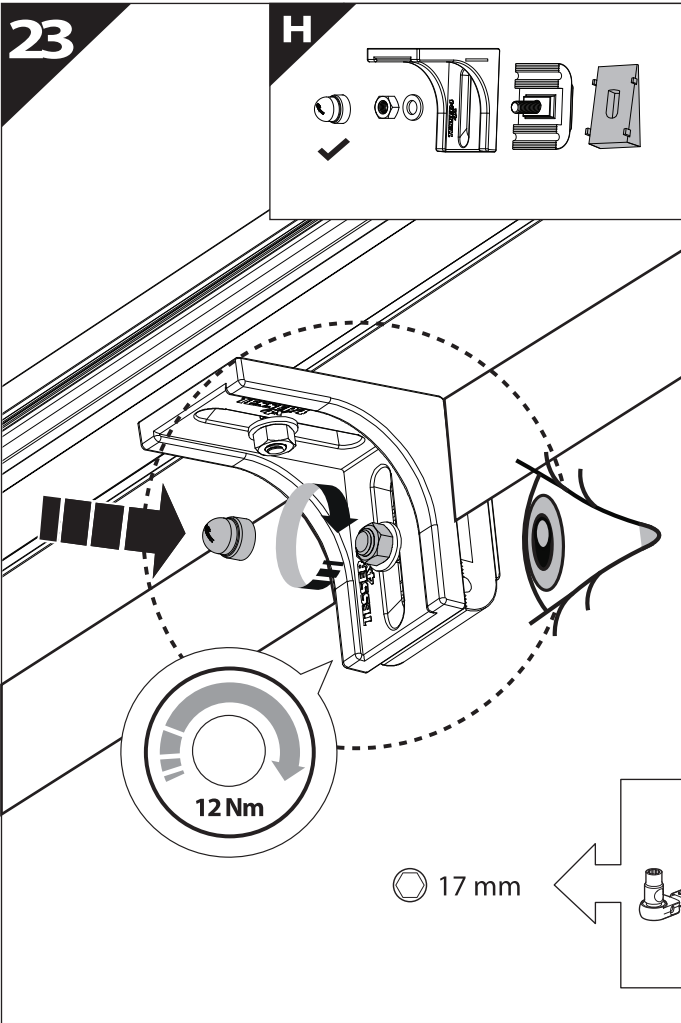




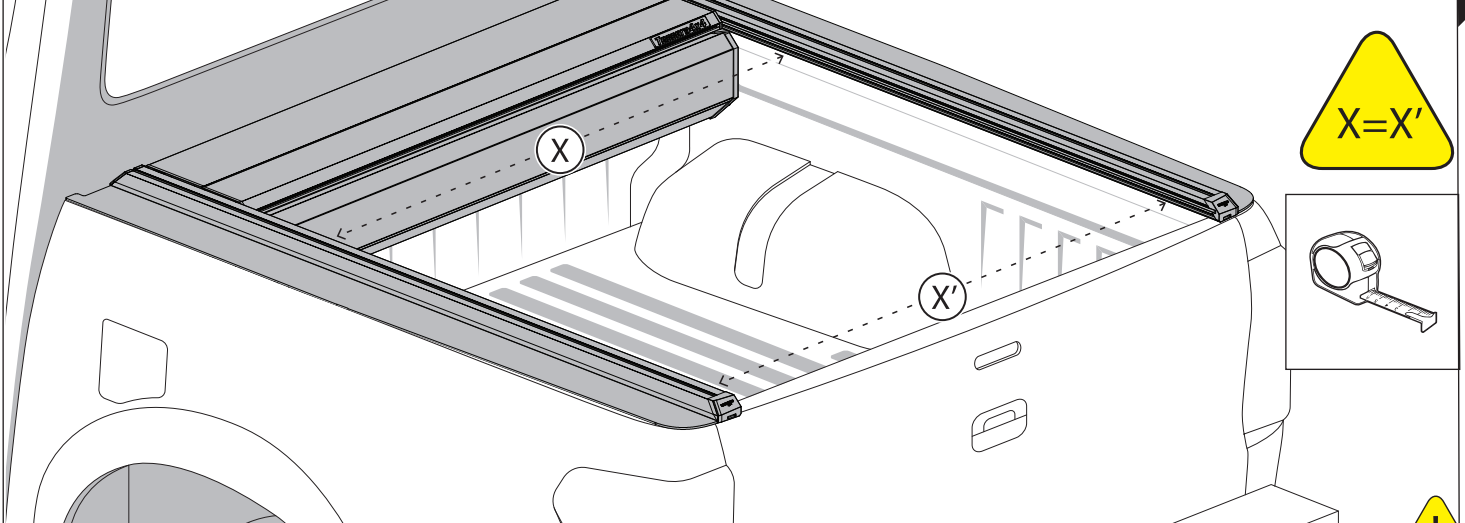


22

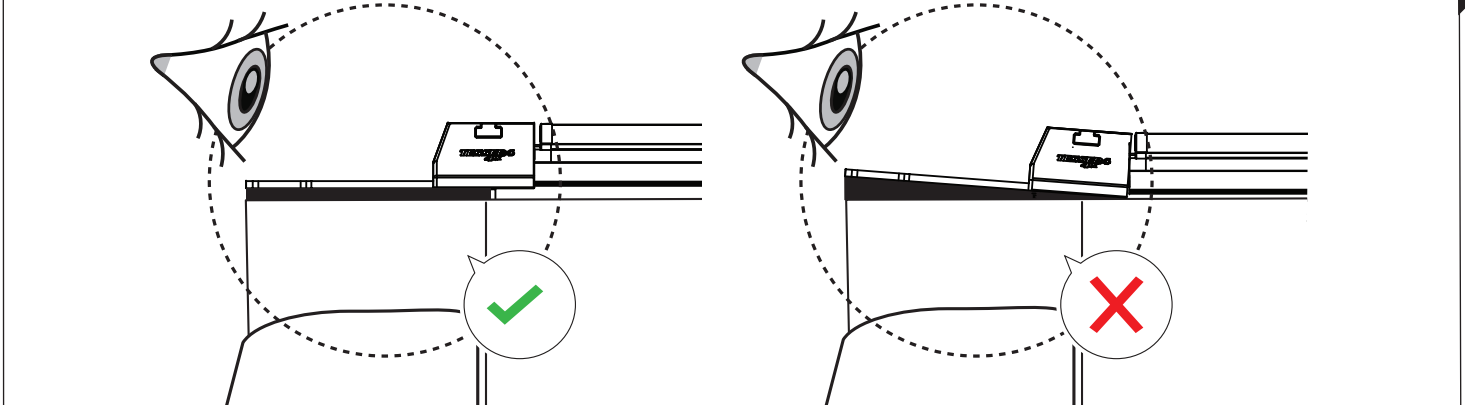




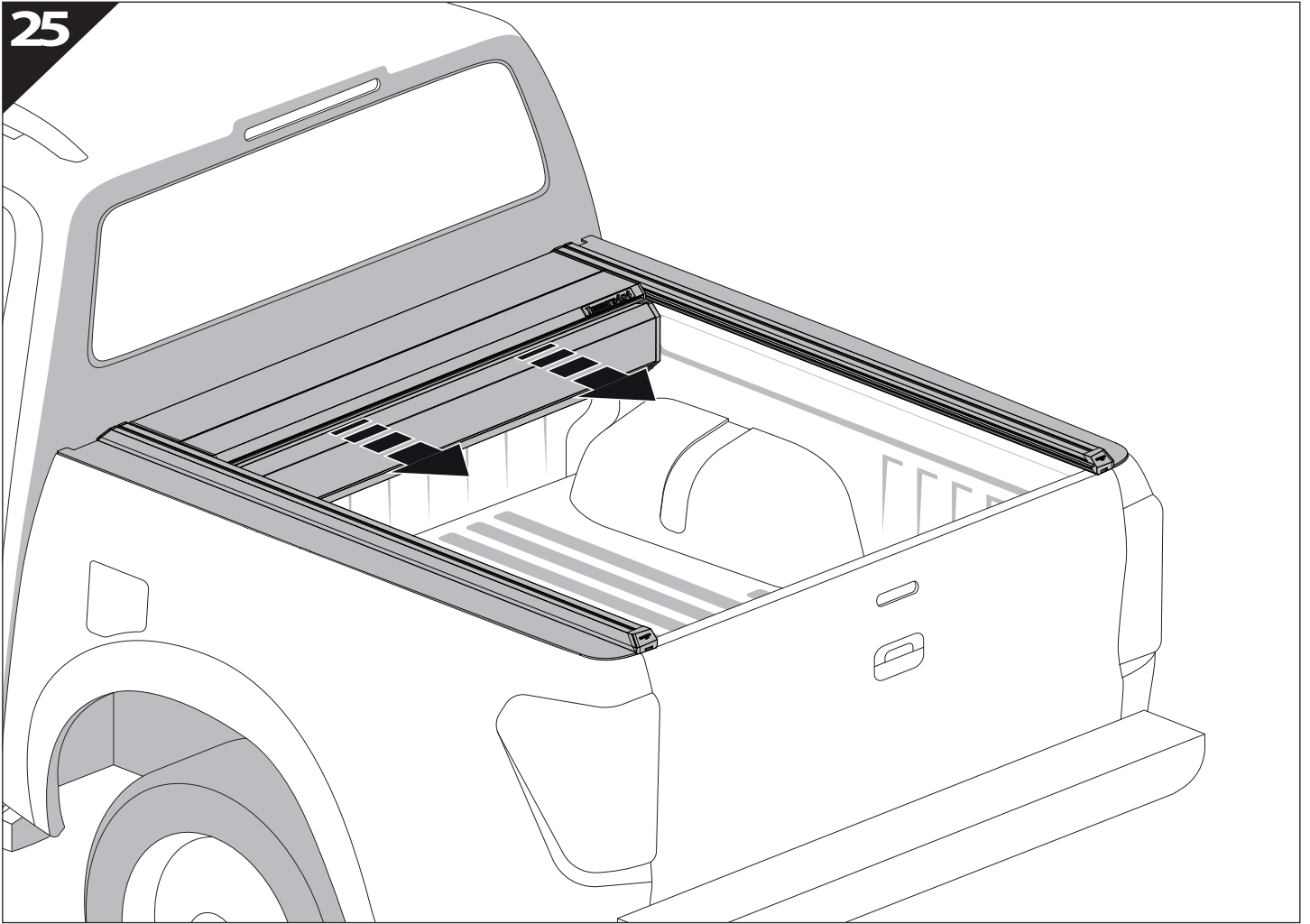
CAUTION !



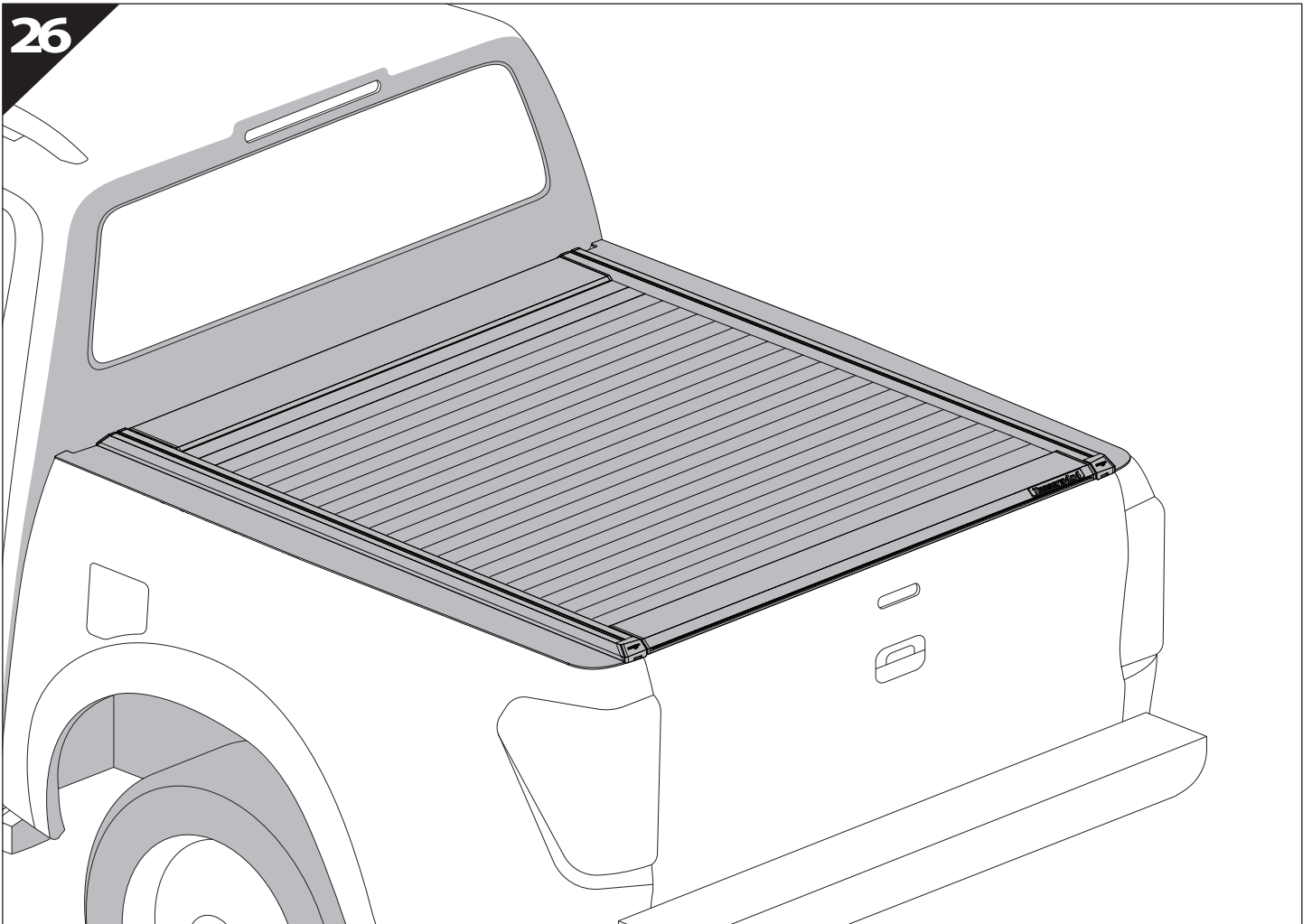
CAUTION !



25



26





GR: Οδηγίες Εγκατάστασης
GB: Installation manual
SF: Asennusohje
F: Notice de montage
PL: Instrukcja montażu
NL: Installatie-instructies
TR: Montaj Talimatı
S: Monteringsanvisning
E: Instrucciones de montaje

H: Szerelési utasítás
P: Instruções de instalação
RUS: Инструкция по установке
N: Monteringsveiledning
D: Einbauanleitung
CZ: Návod k instalaci
I: Istruzioni de montaggio
DK: Monteringsvejledning
RO: Instructiuni de instalare

Customer Service:

+30 (210) 5541161, +30 (210) 5541154 (08:00 - 16:00 EET)

Support department:

info@gianso.gr

Website:

www.tessera4x4.com

Address:

19.5 km of National road Athens-Korinthos (Elefsina) Greece, P.C: 19200