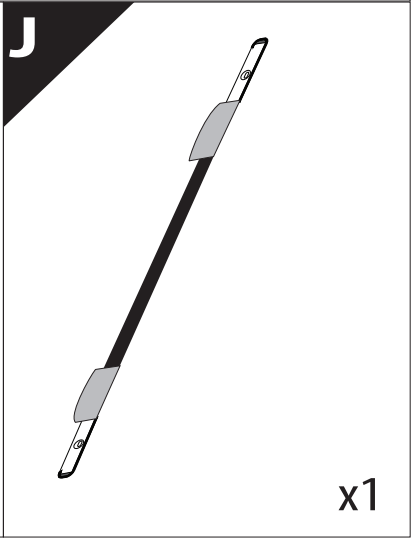
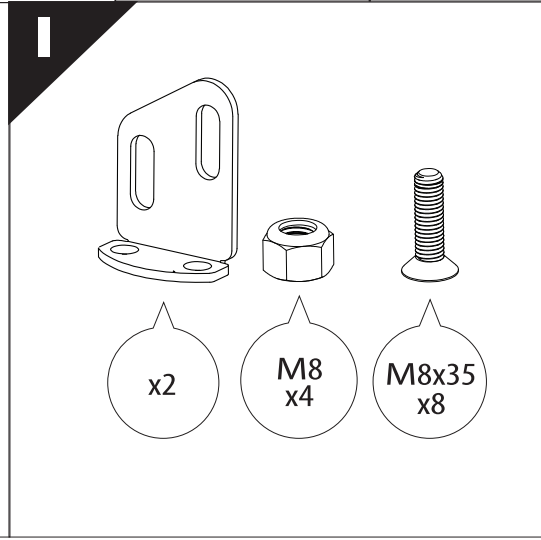
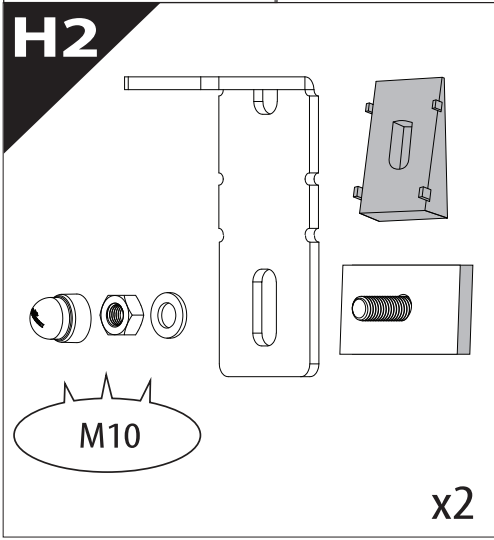
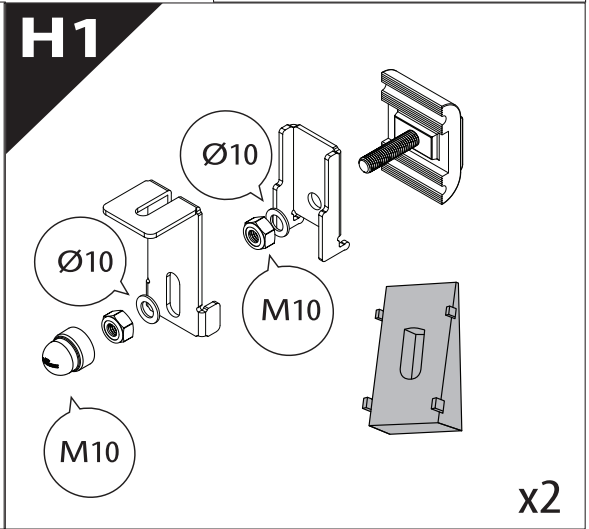
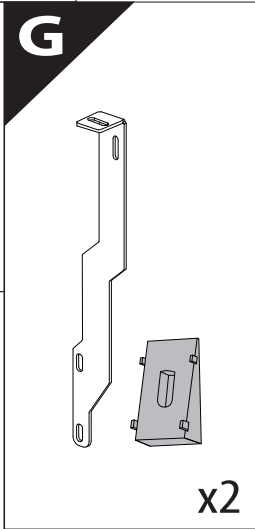
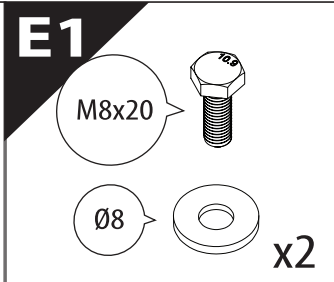
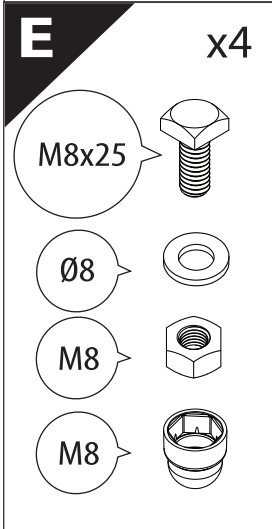
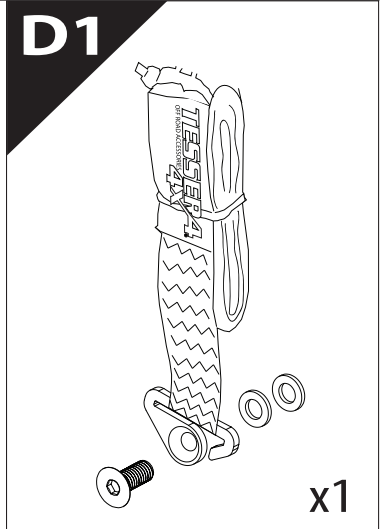
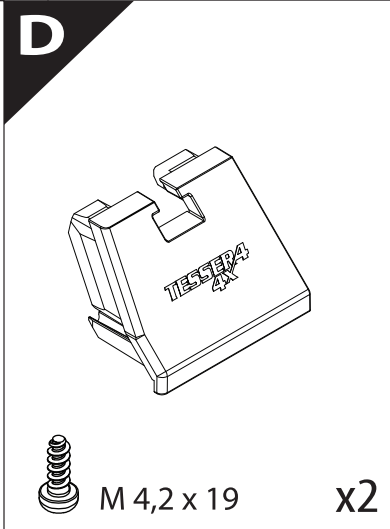
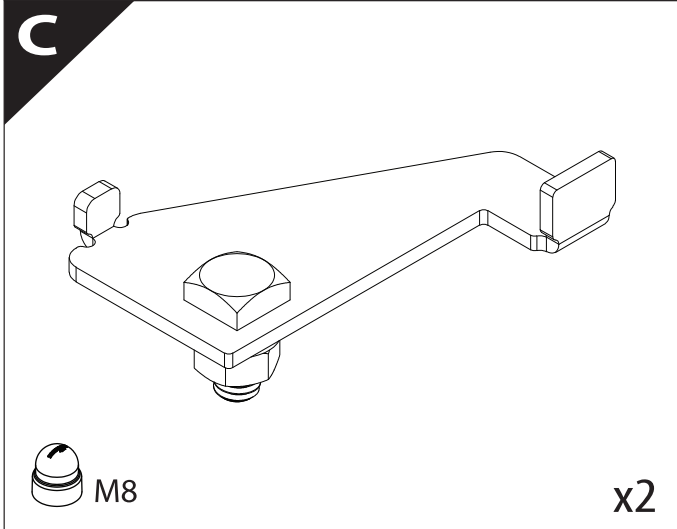
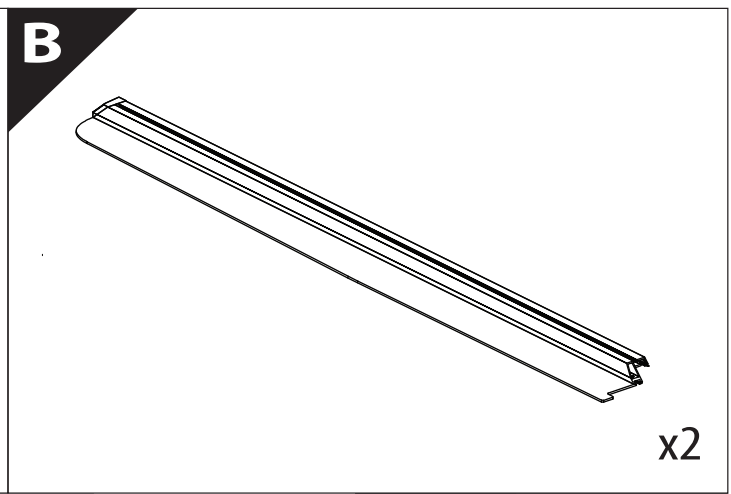
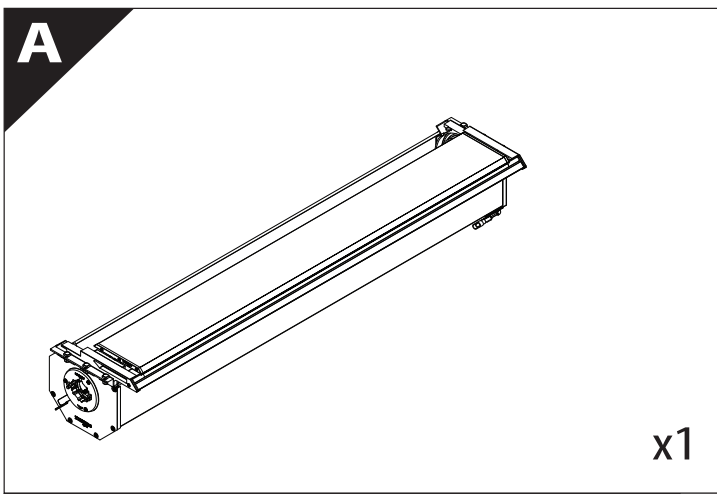
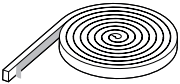
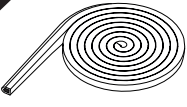

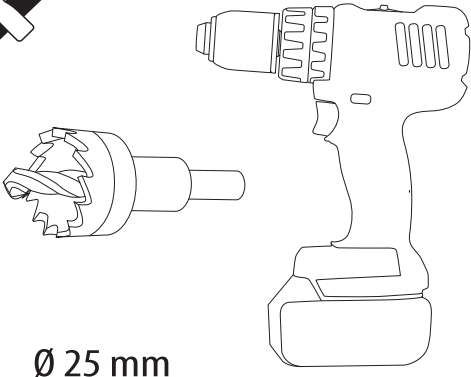


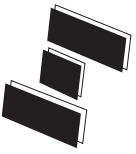

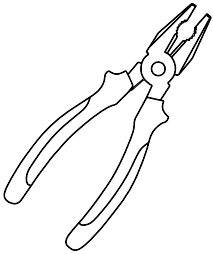
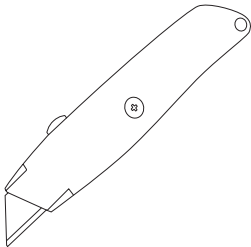
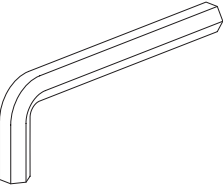

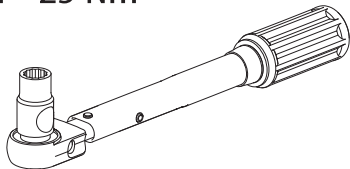



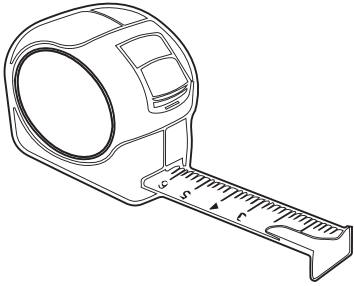
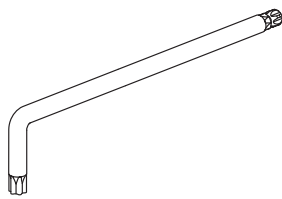

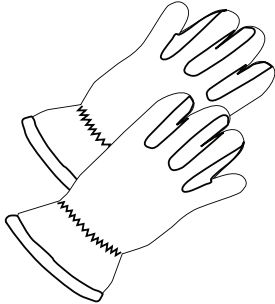
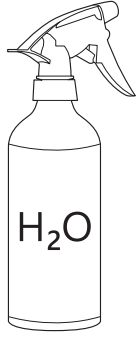
Installation Manual

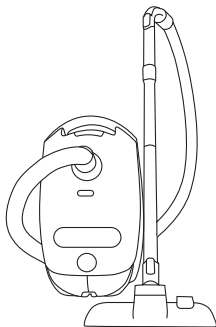


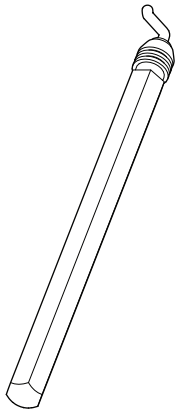


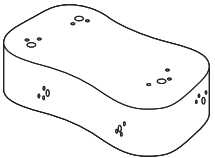
PART NUMBER(S)	Model Year
TESS 15012 SE	VW AMAROK PANAMERICANA 2023+ WITH OR WITHOUT C-CHANNELS
Cab(s)	Installation Time / Weight
Double Cab	40-60 minutes / 53-57 kg



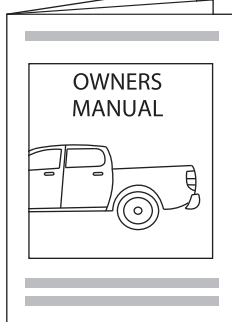


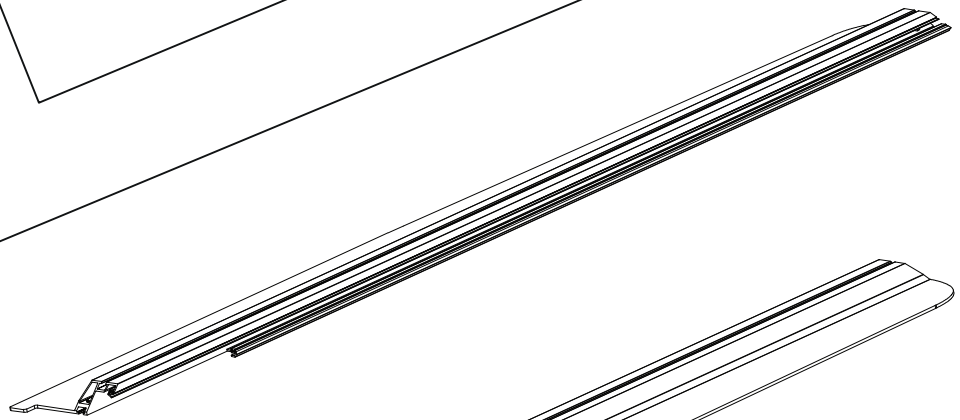
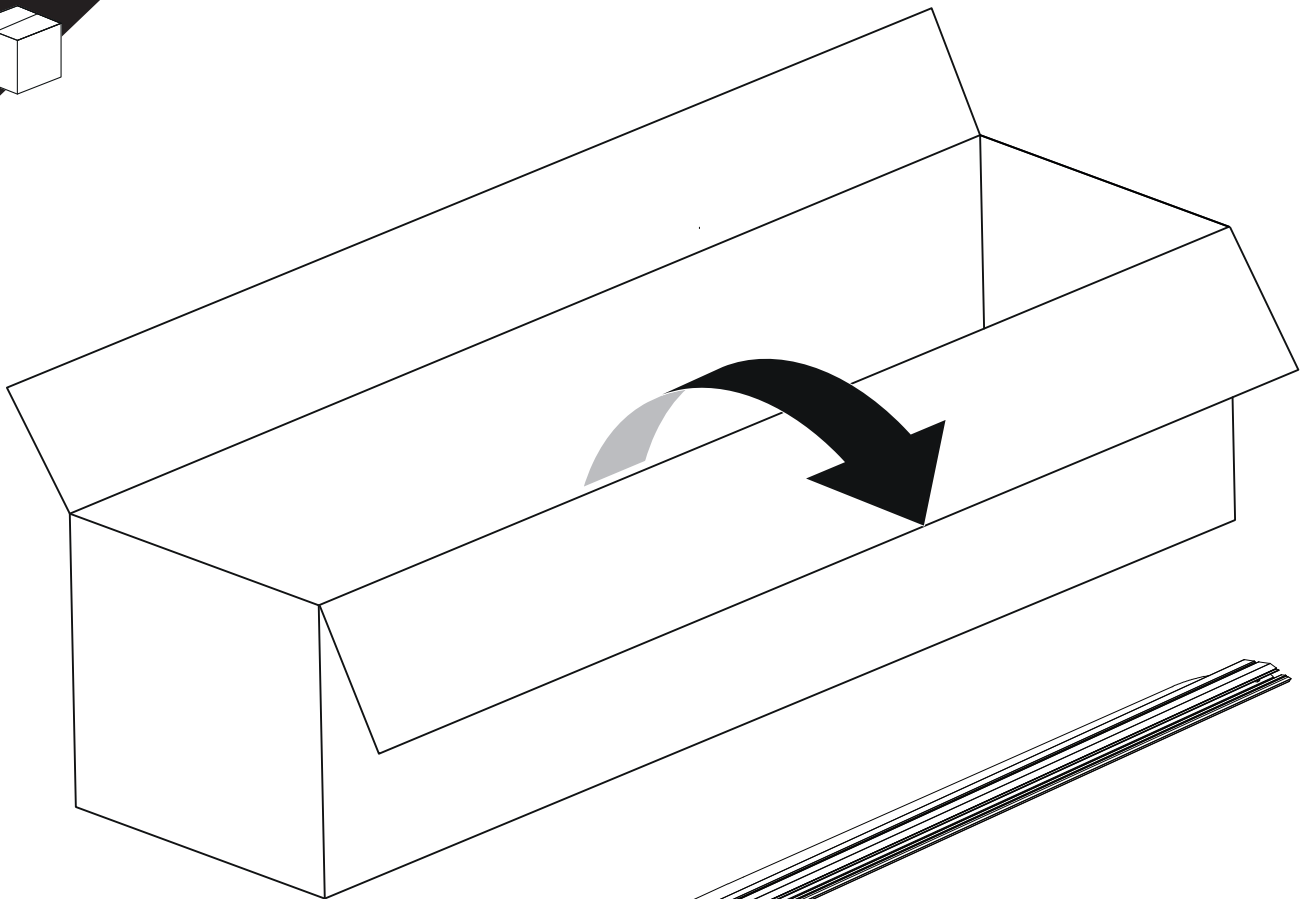
K1 x1  1.5 x 0.8 x 400cm	K2 x1  167 cm	  Ø 25 mm		 
K3 x1 	K4 x1 			

		  4 mm	1 - 25 Nm   10,12,13, 17 mm
--	---	---	---

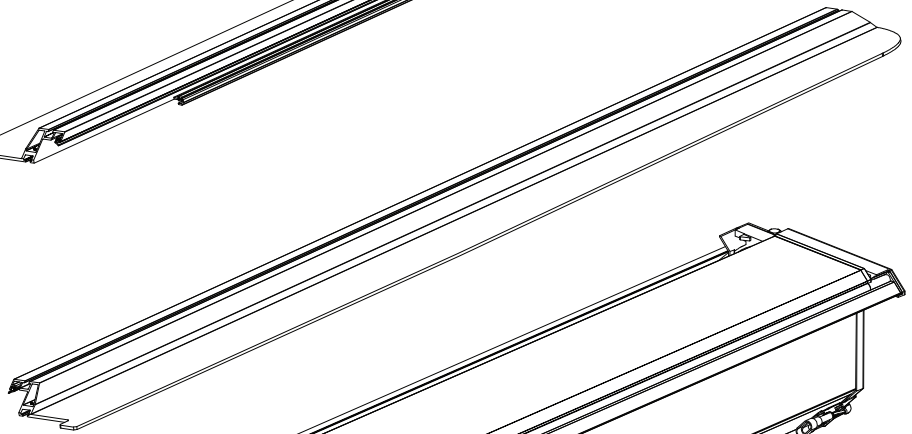
	  T40		 H ₂ O
--	---	---	--

	 ACETONE			  ANTI-RUST
				

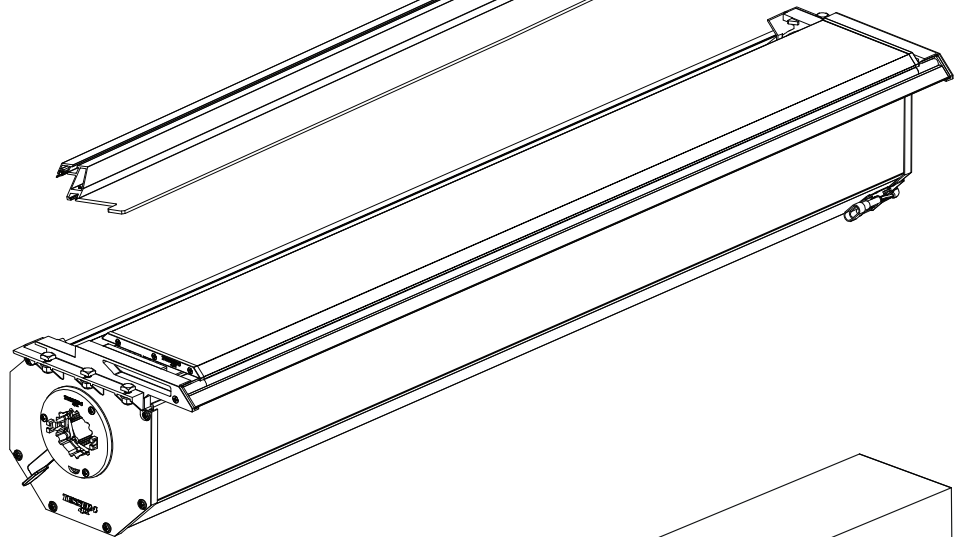
	 INSTALATION MANUAL	 OWNERS MANUAL x1
---	---	---



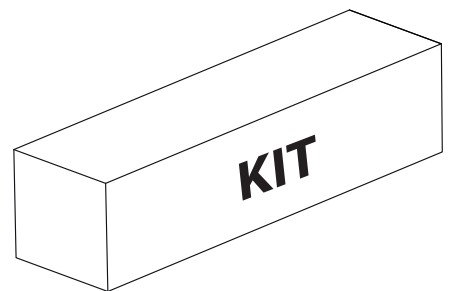
B



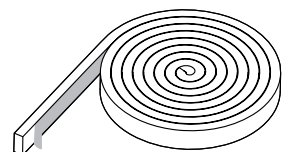
A

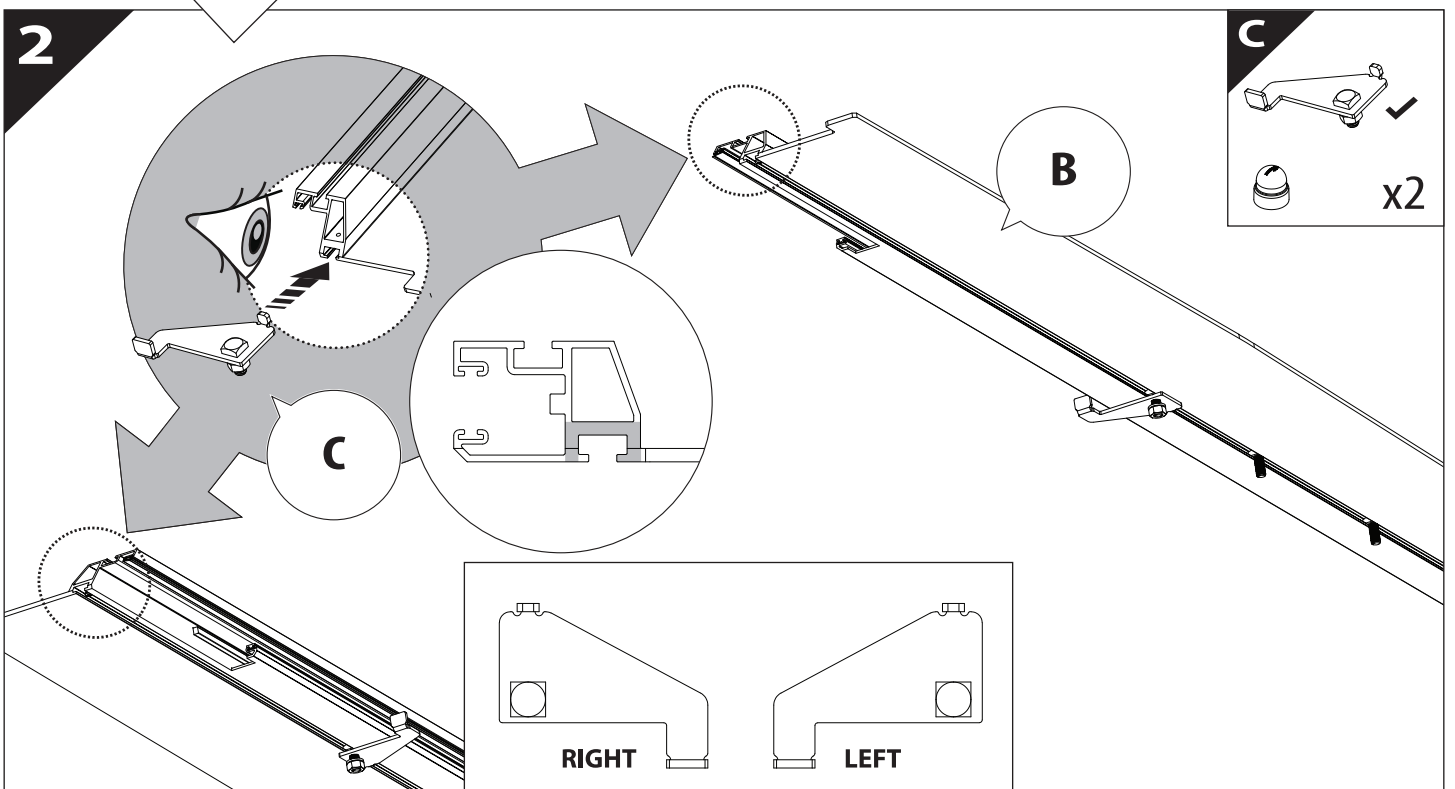
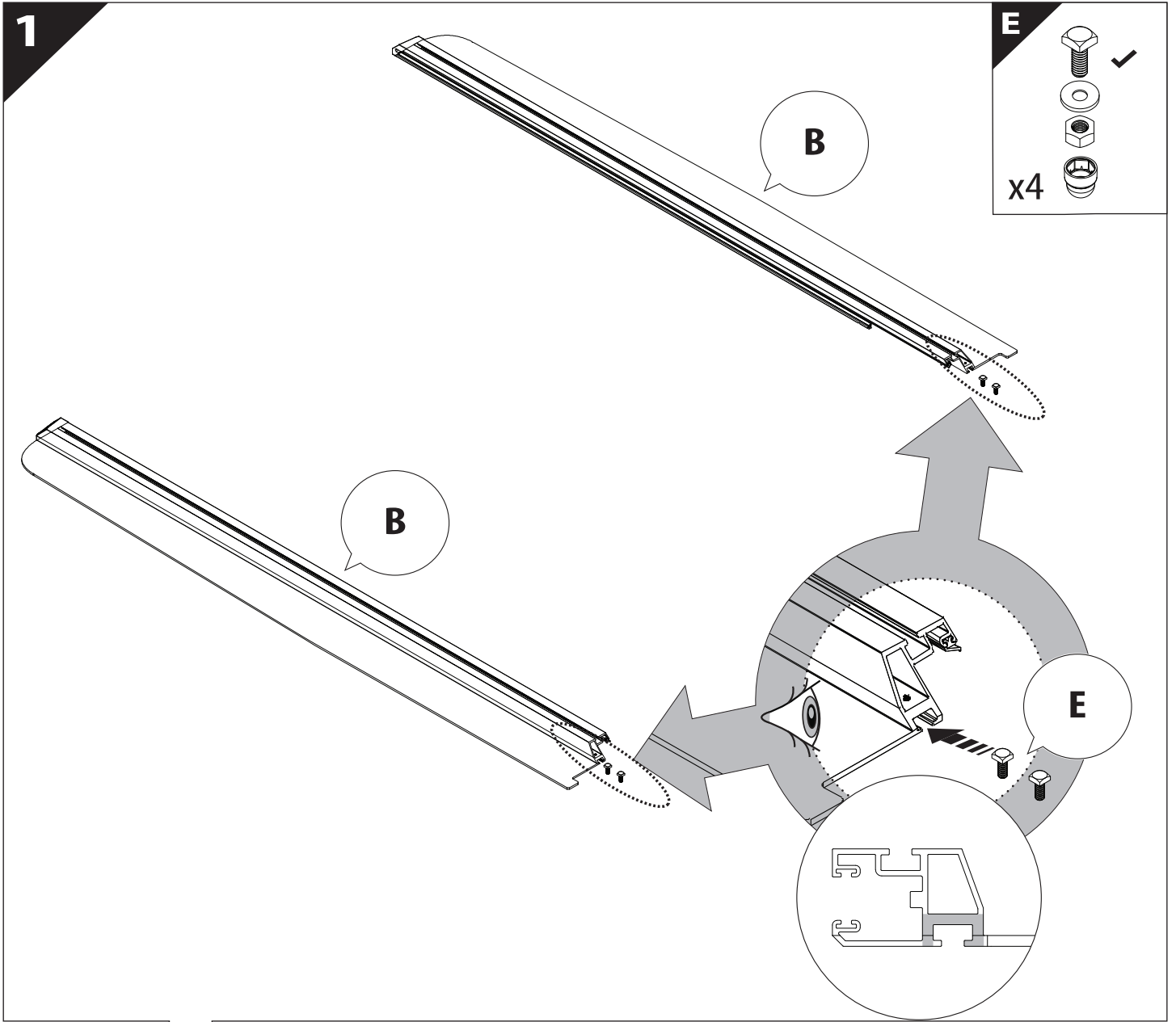


KITS

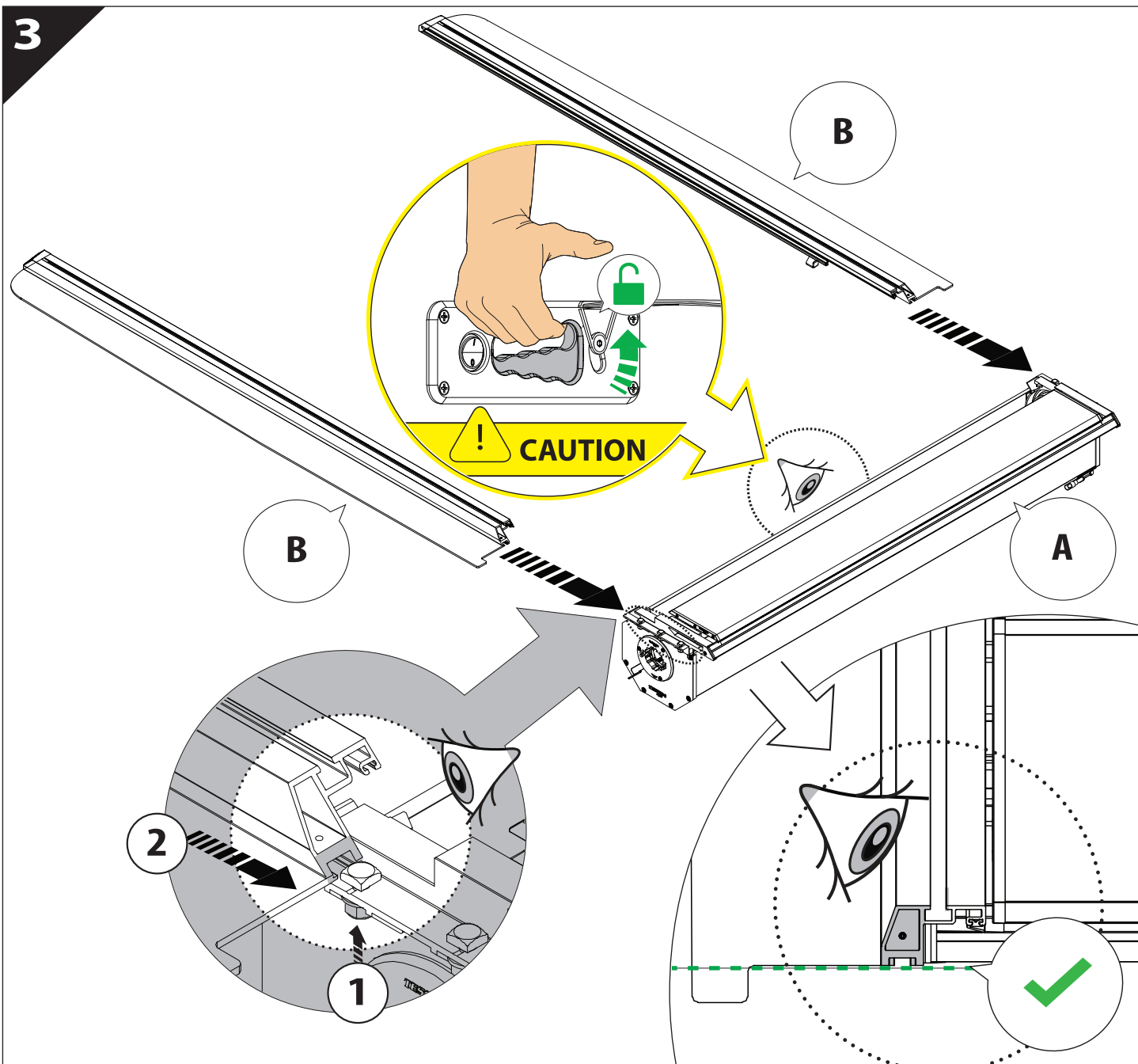


K

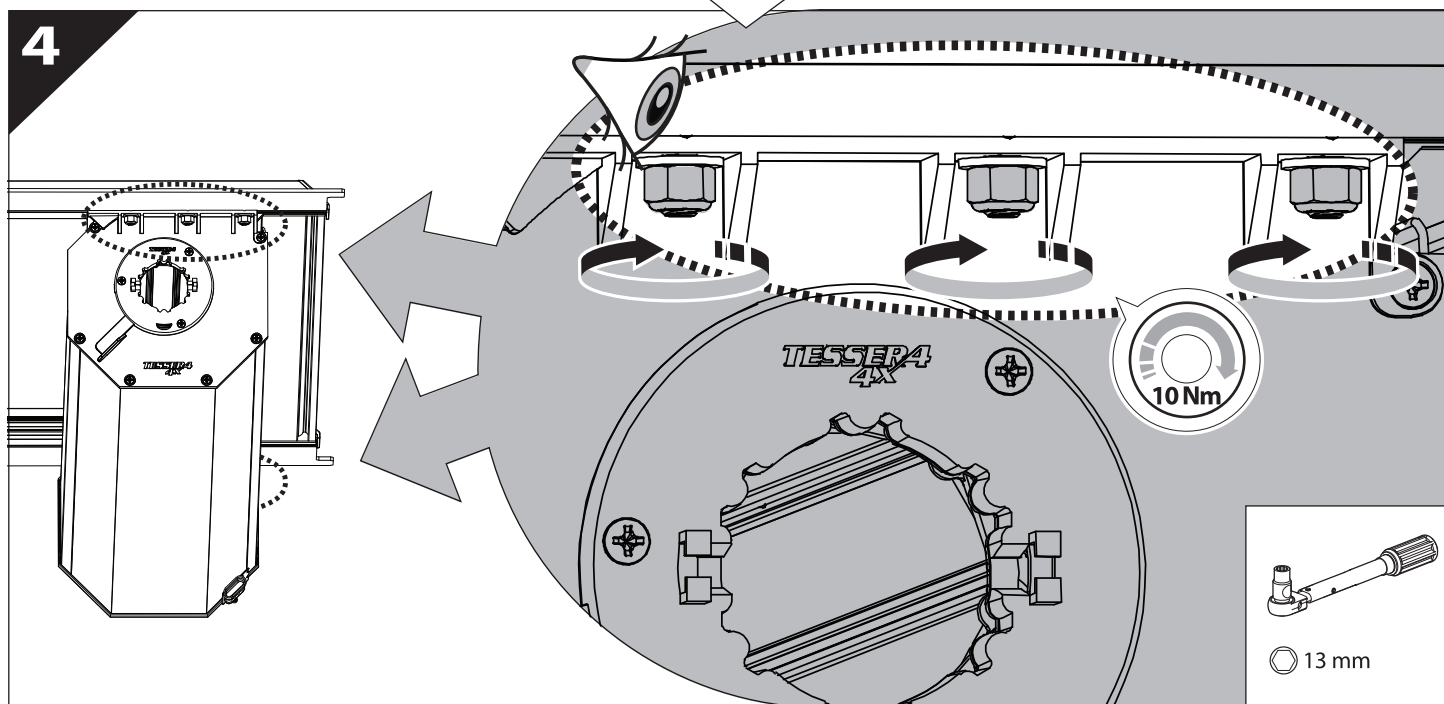


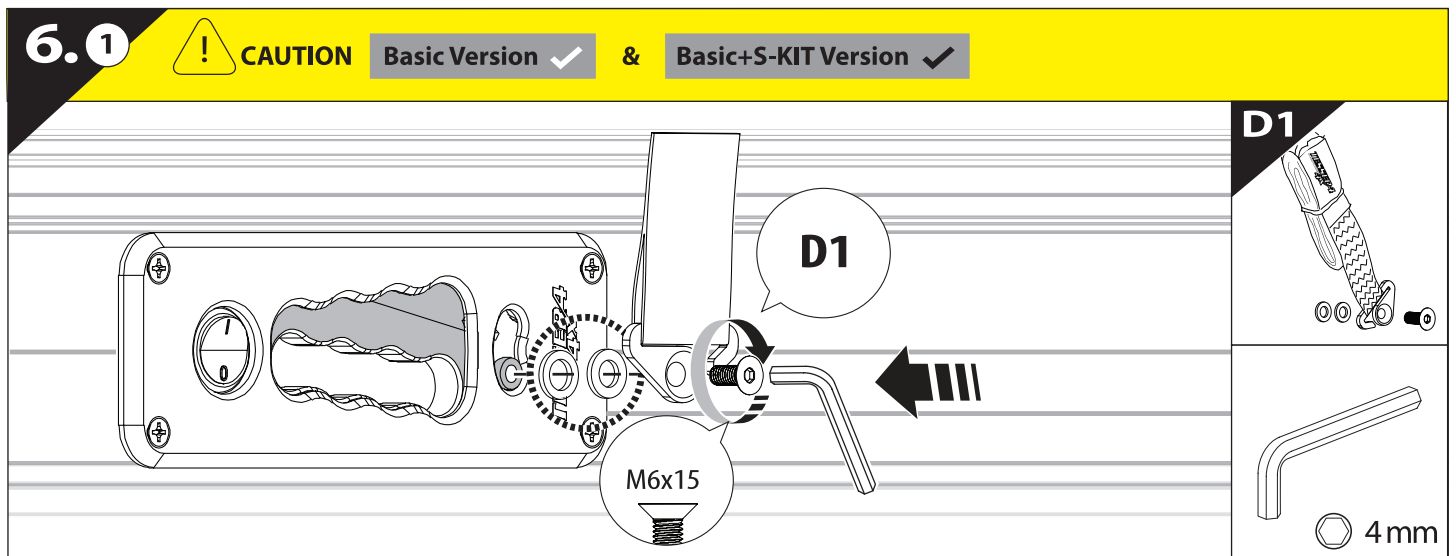
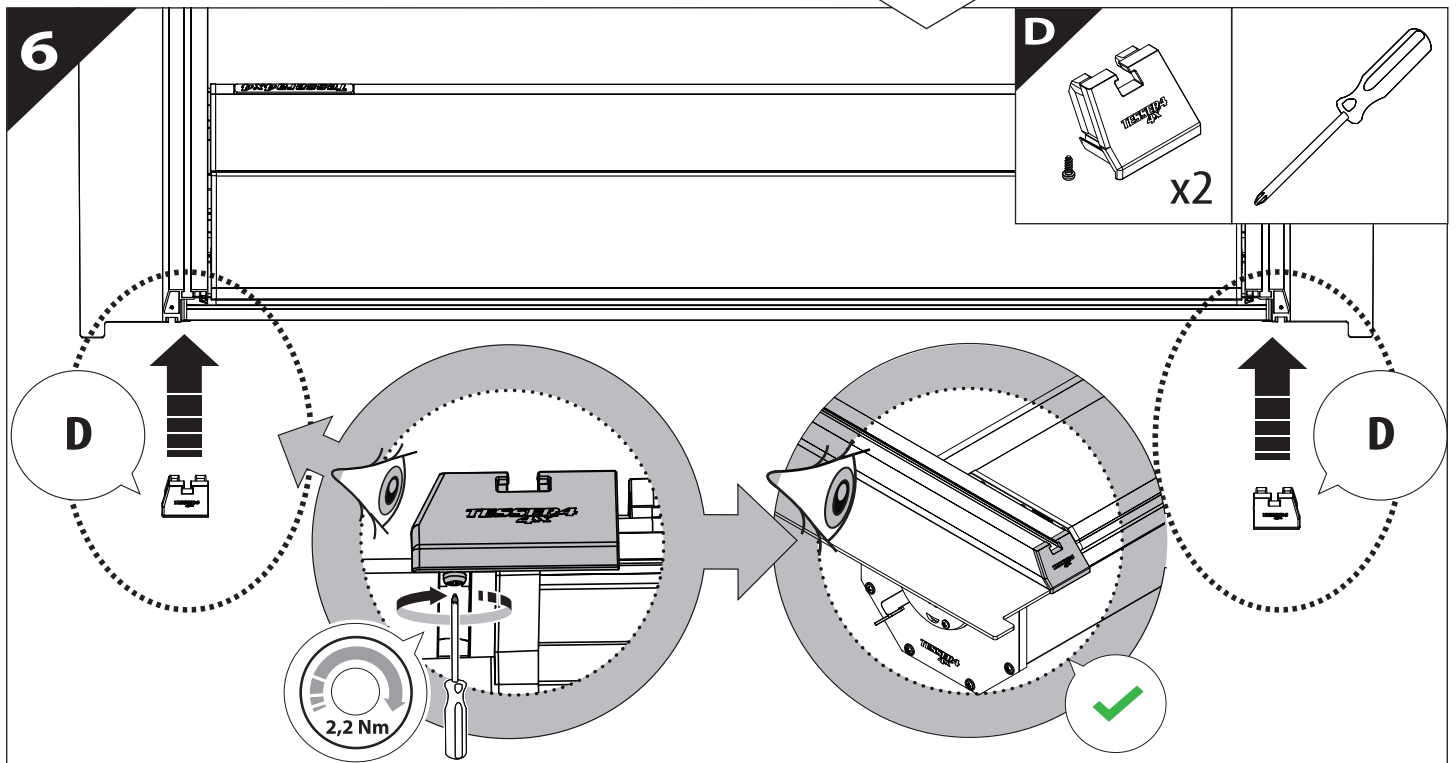
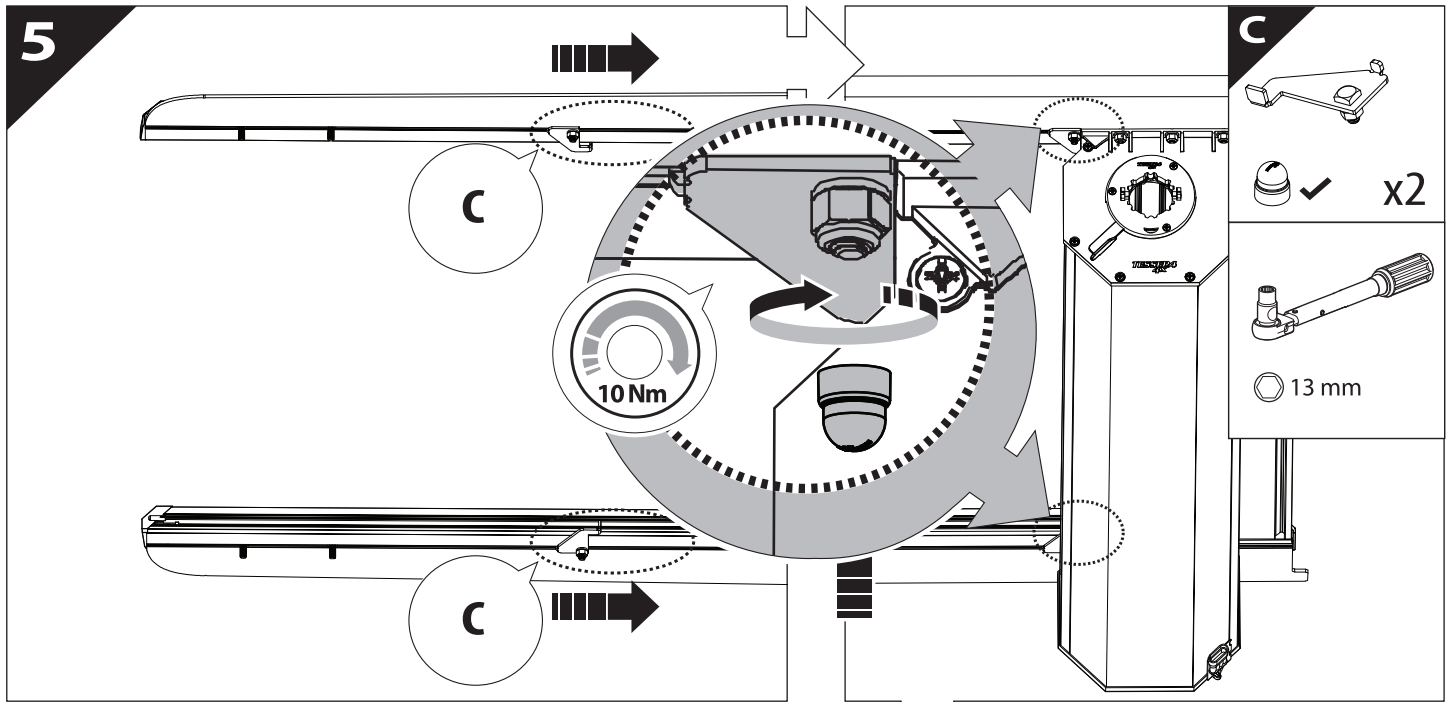


3

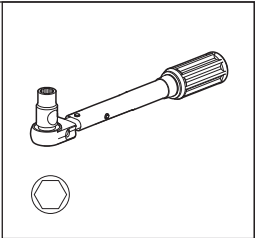


4

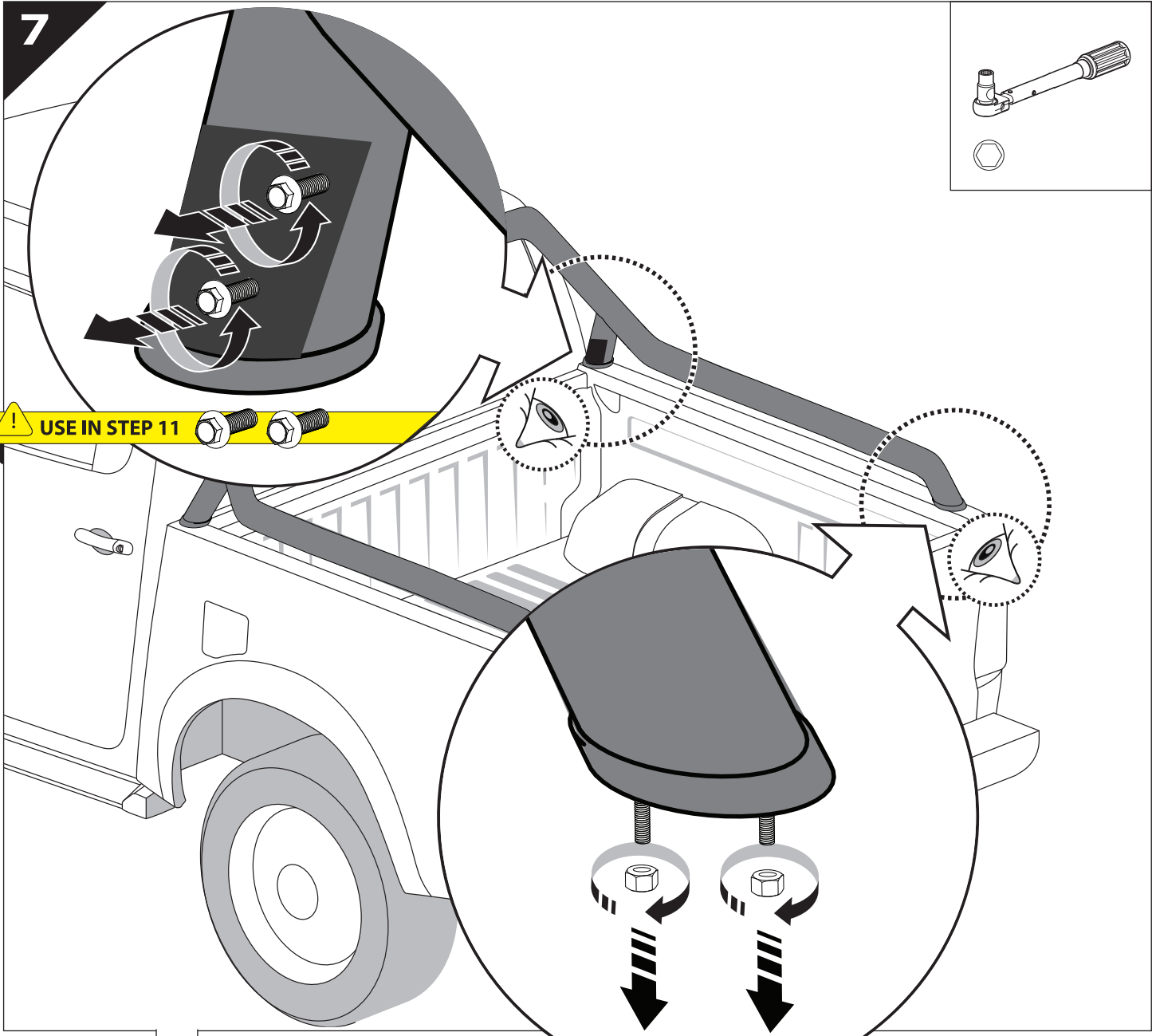




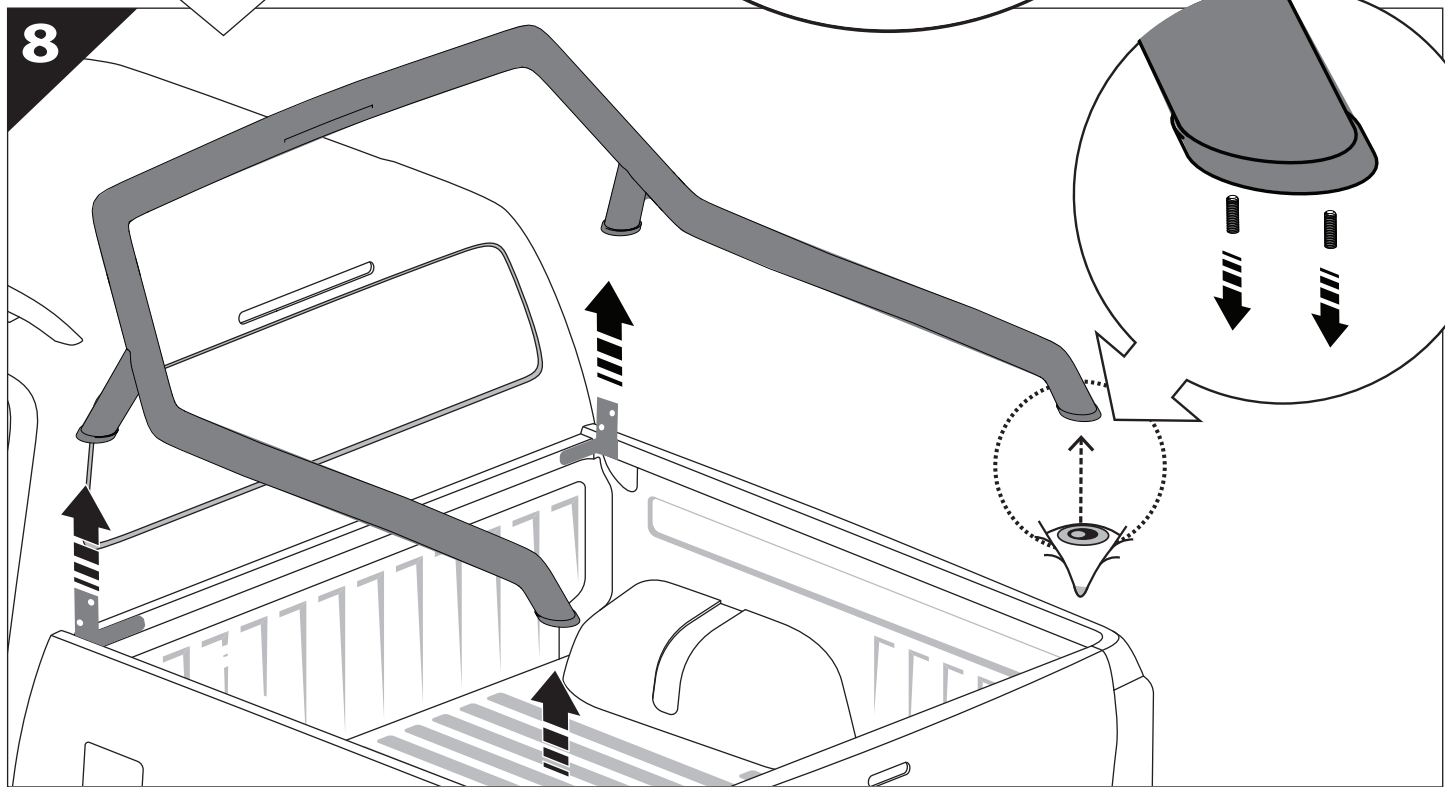
7

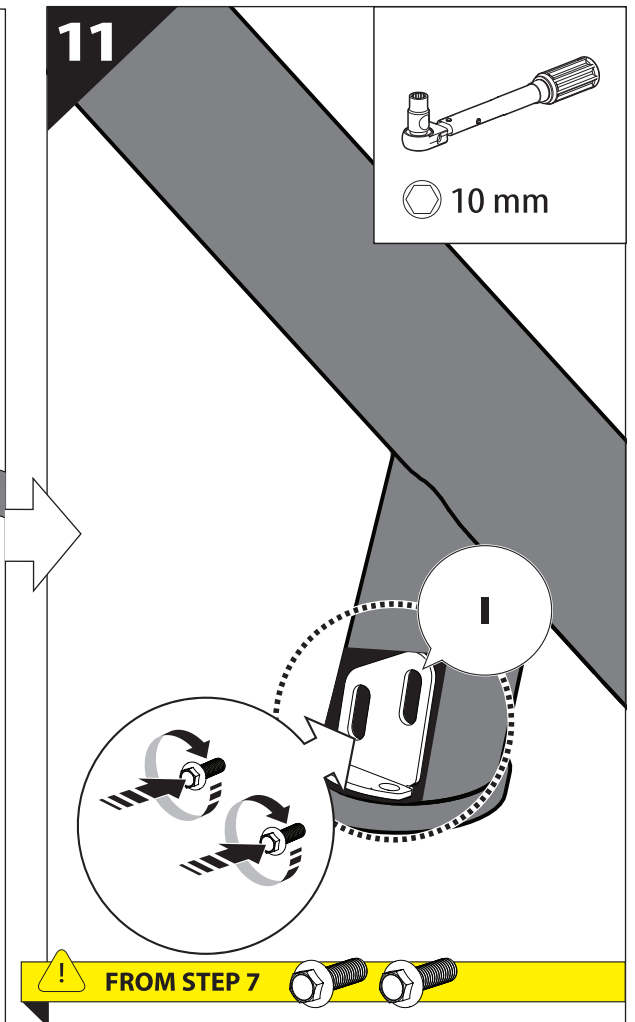
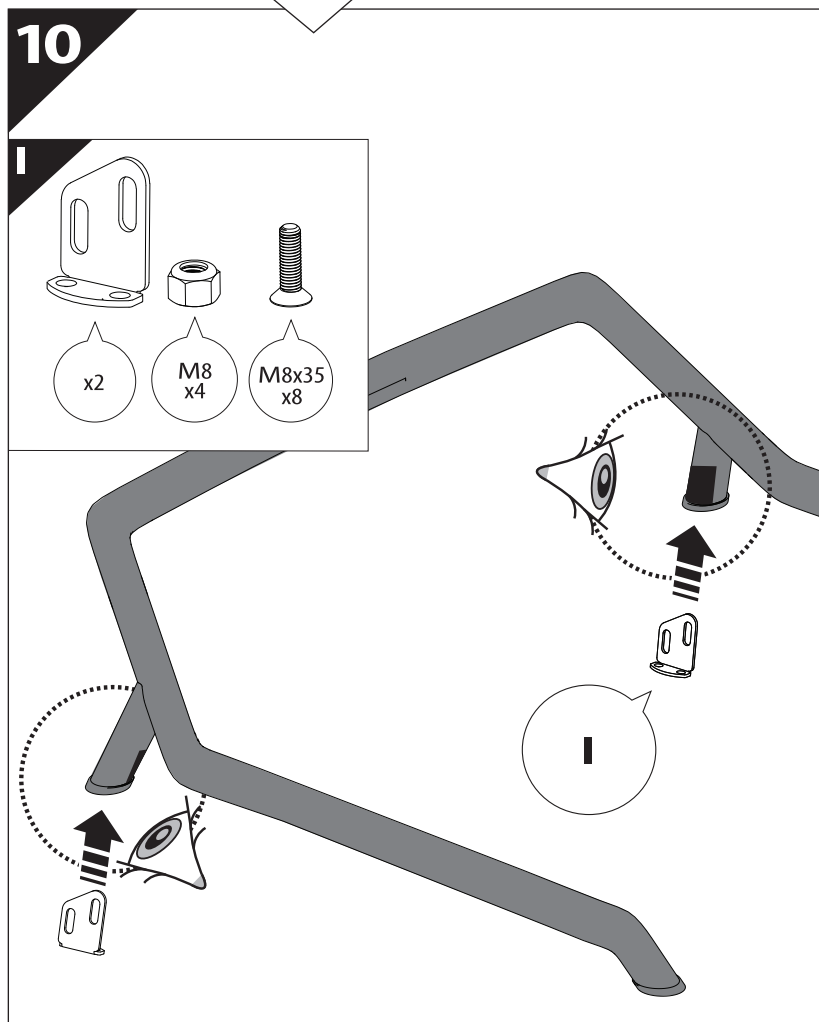
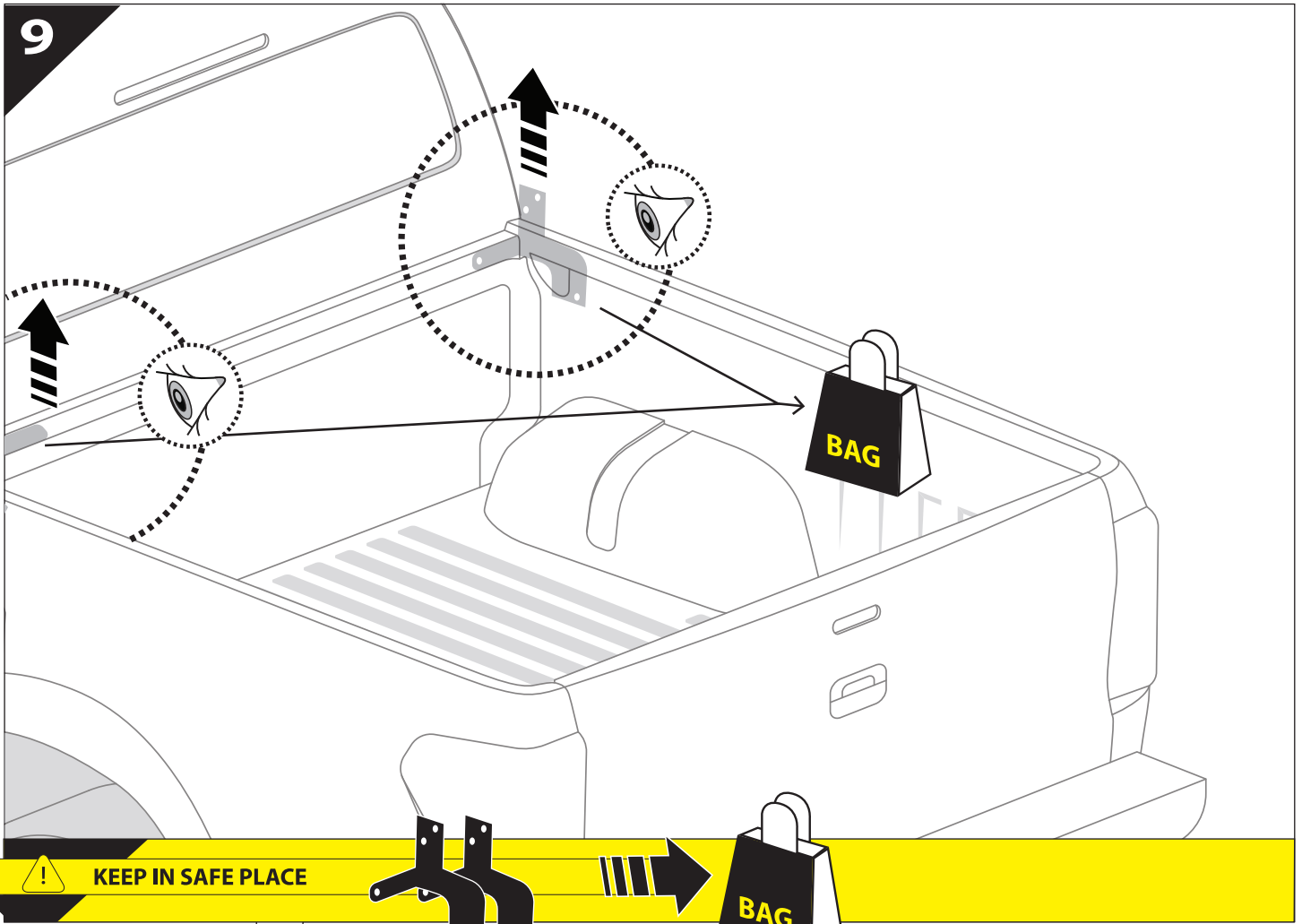


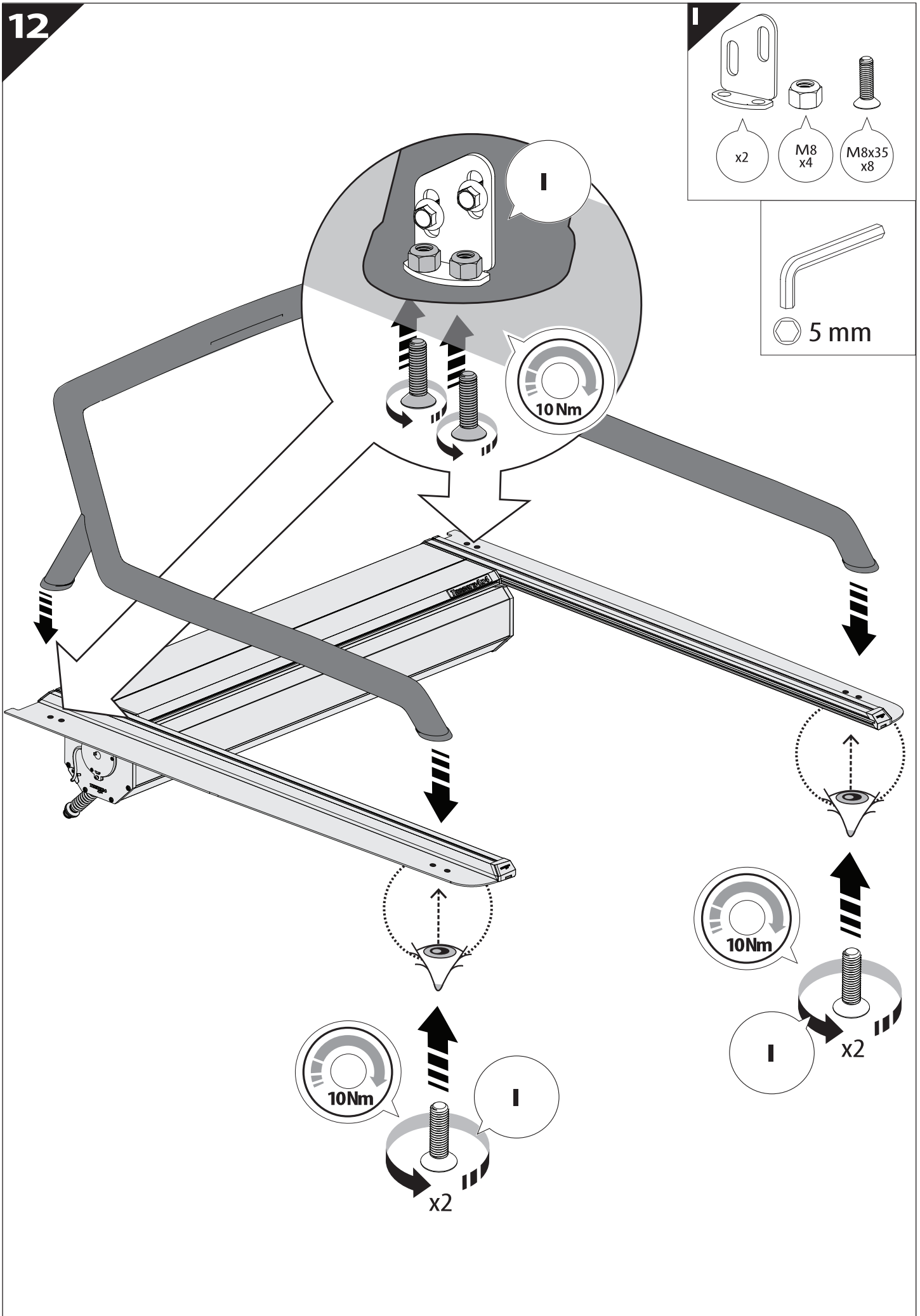
! USE IN STEP 11



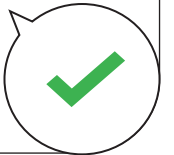
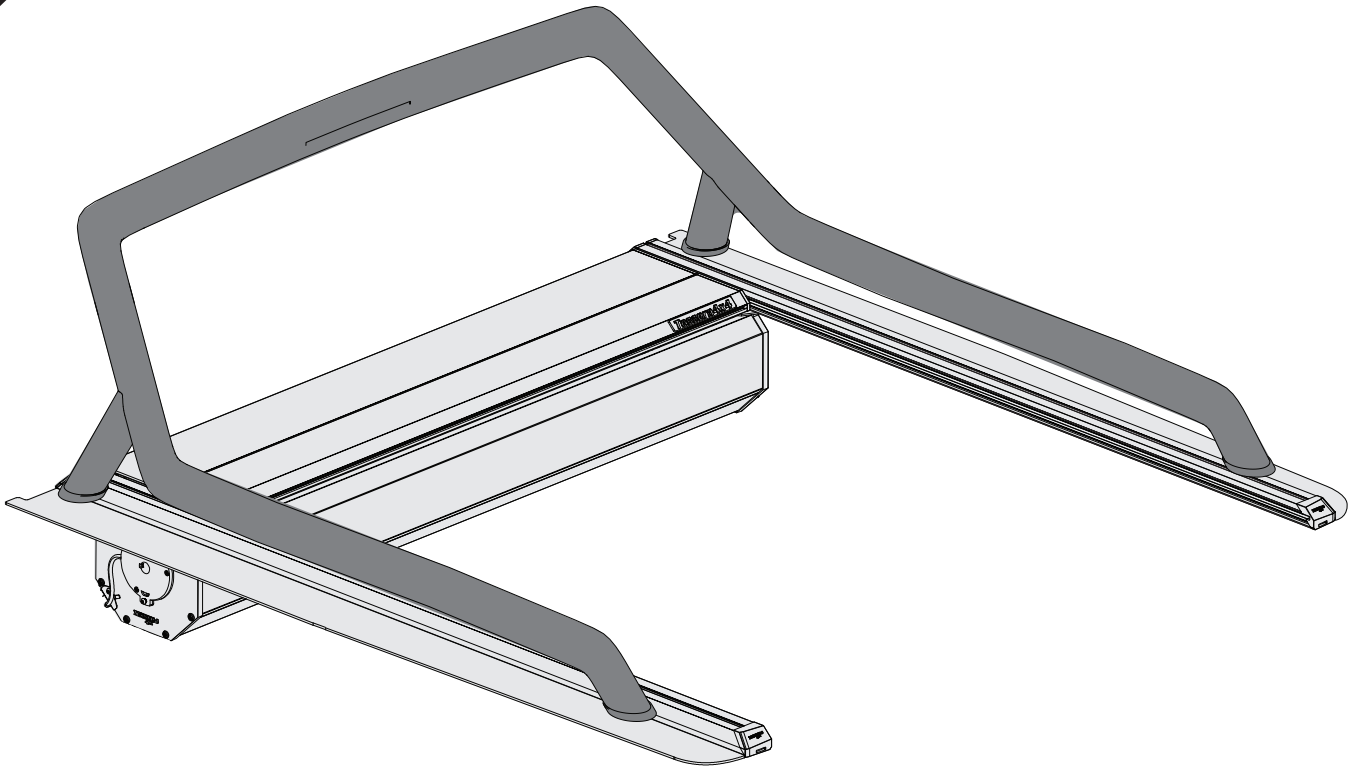
8



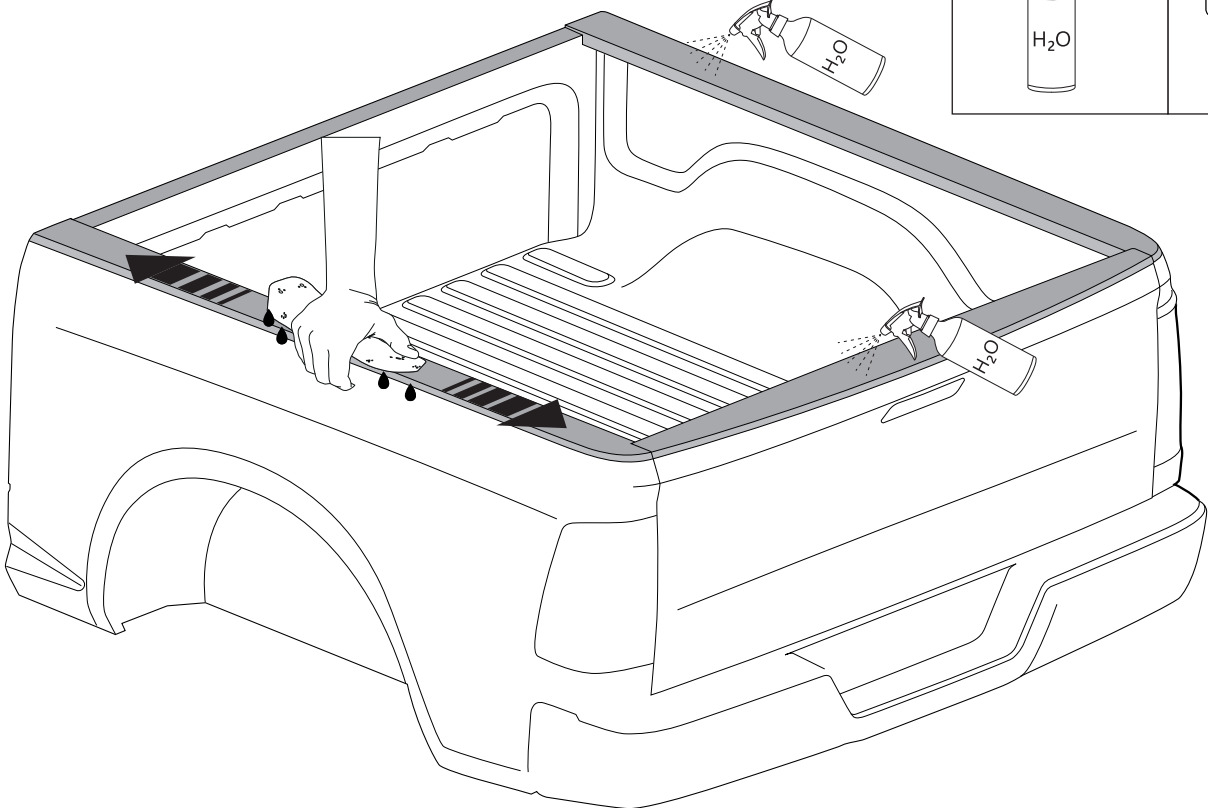




13

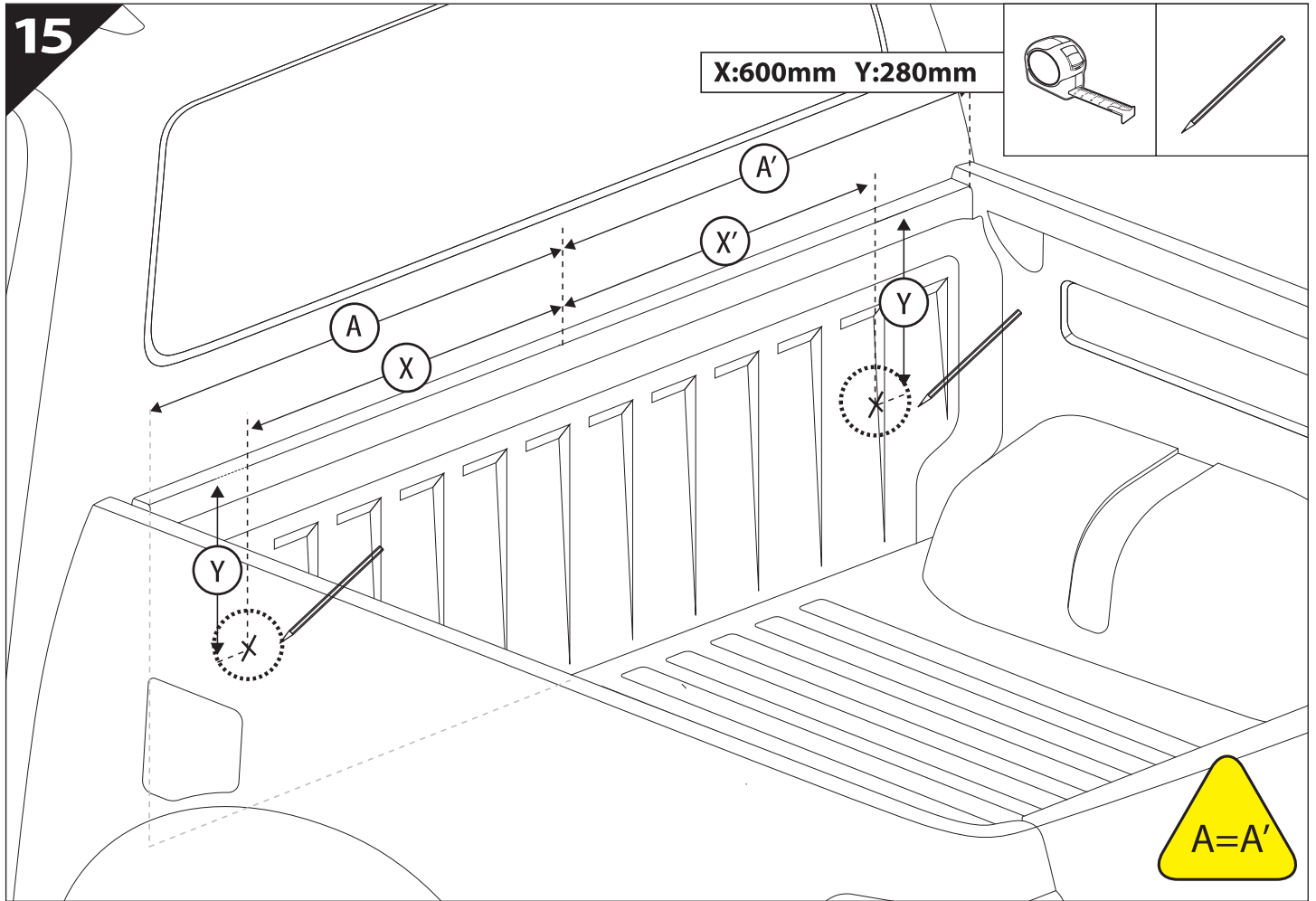
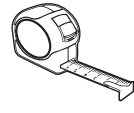


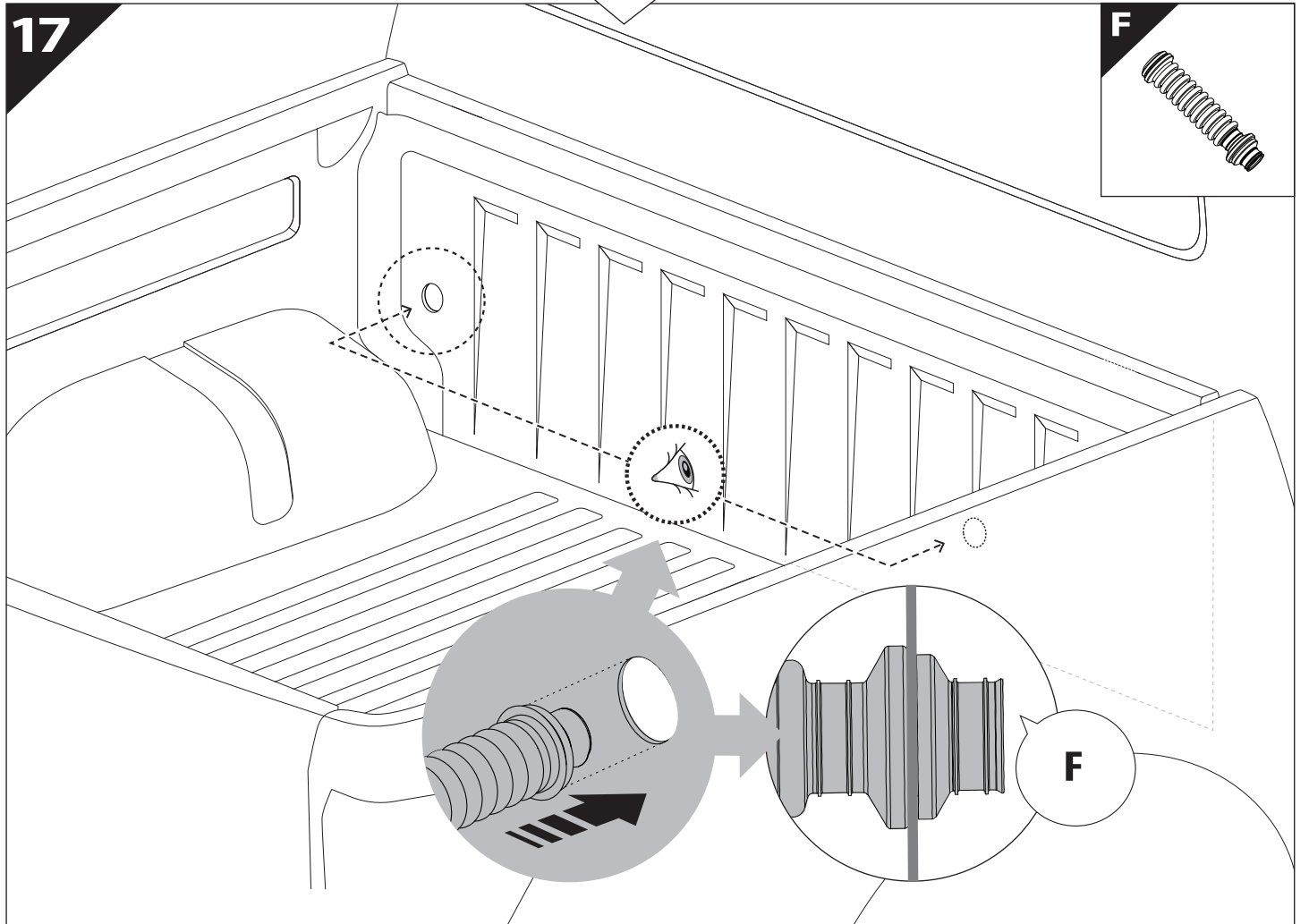
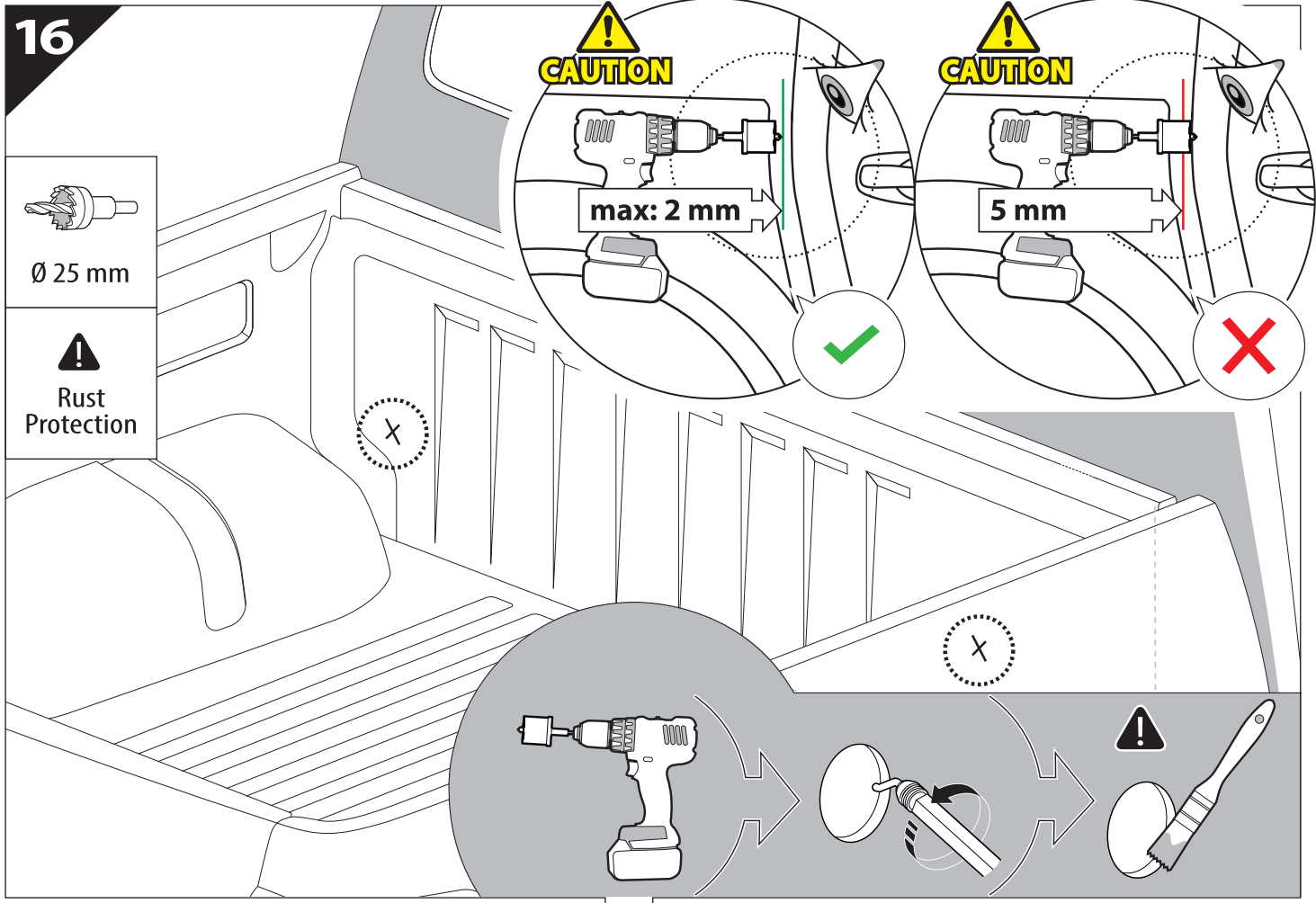
14

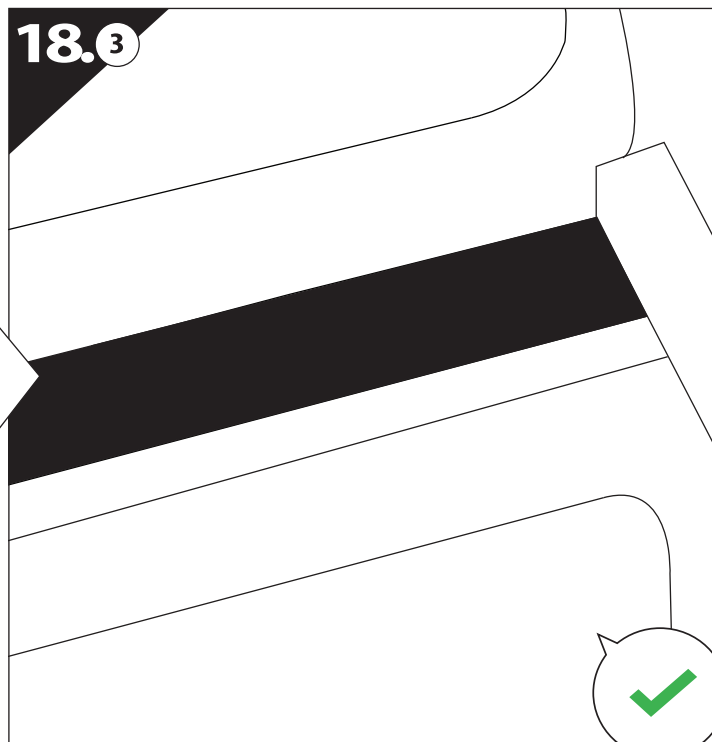
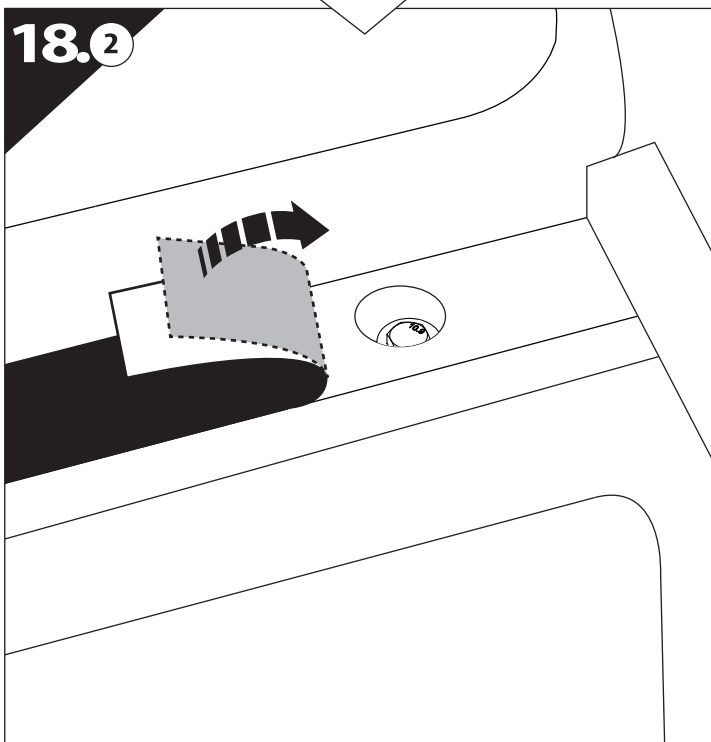
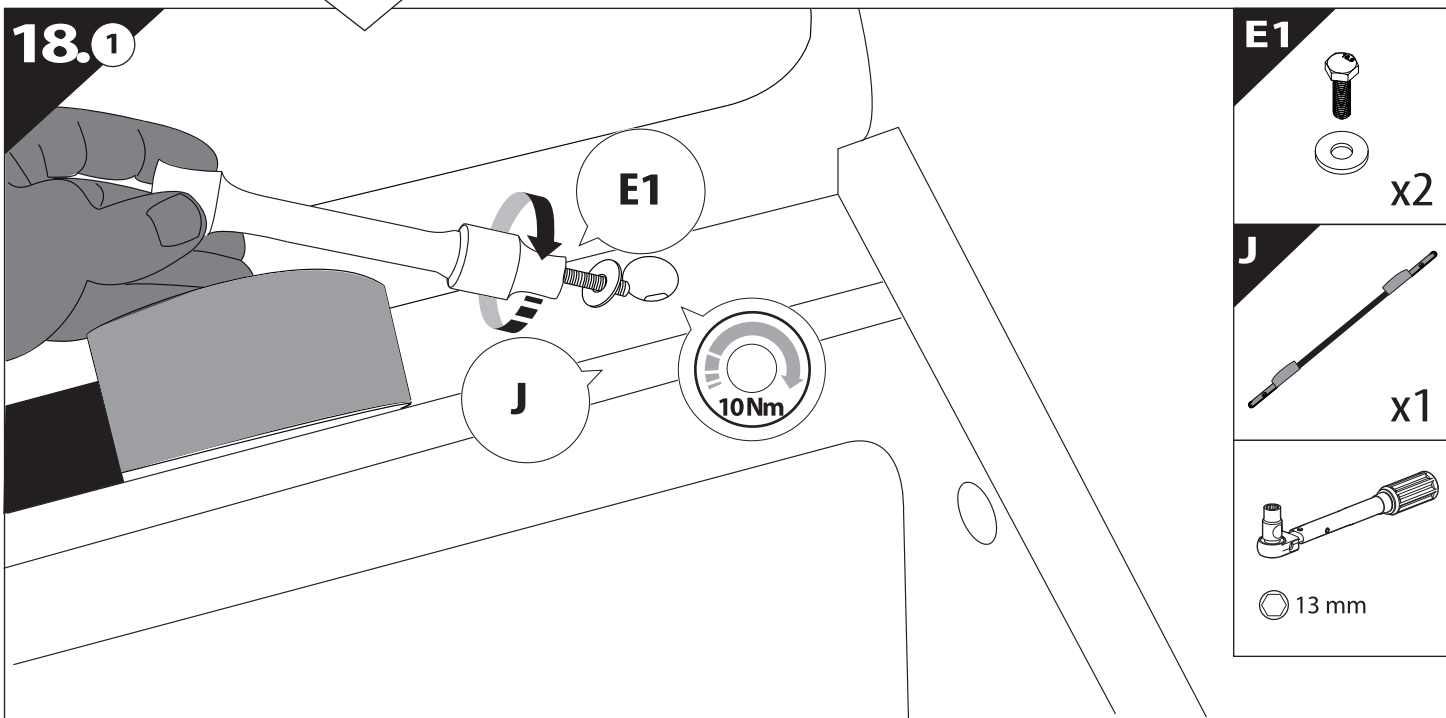
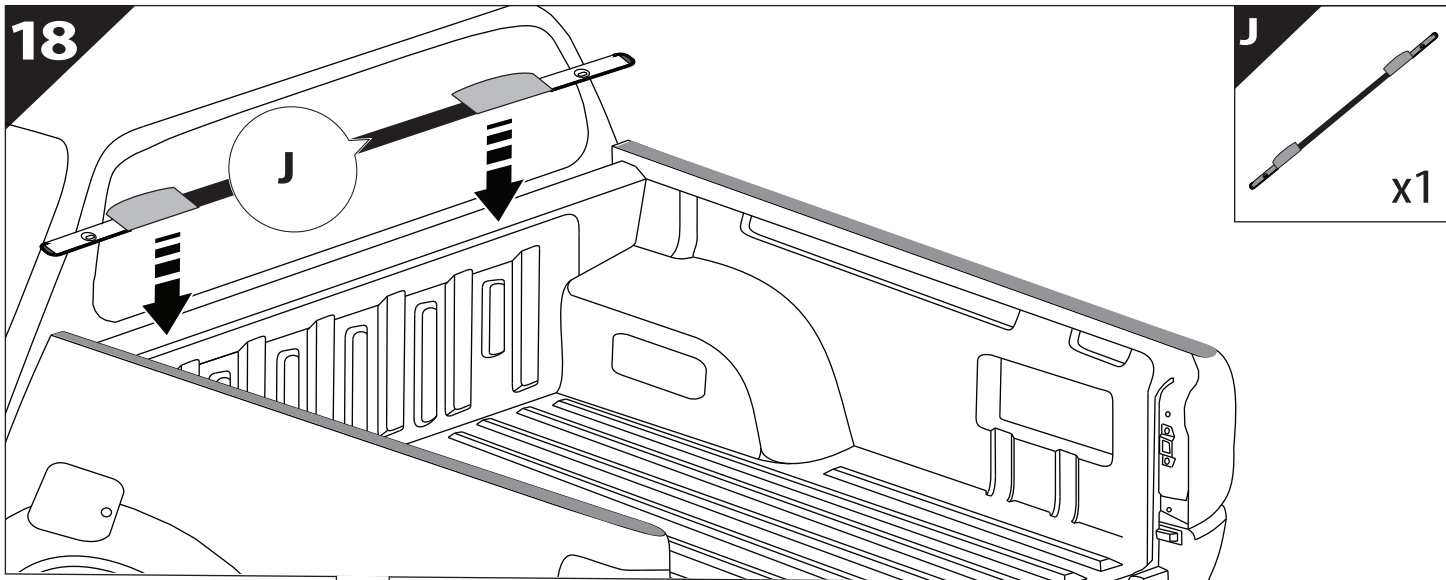


15

X:600mm Y:280mm

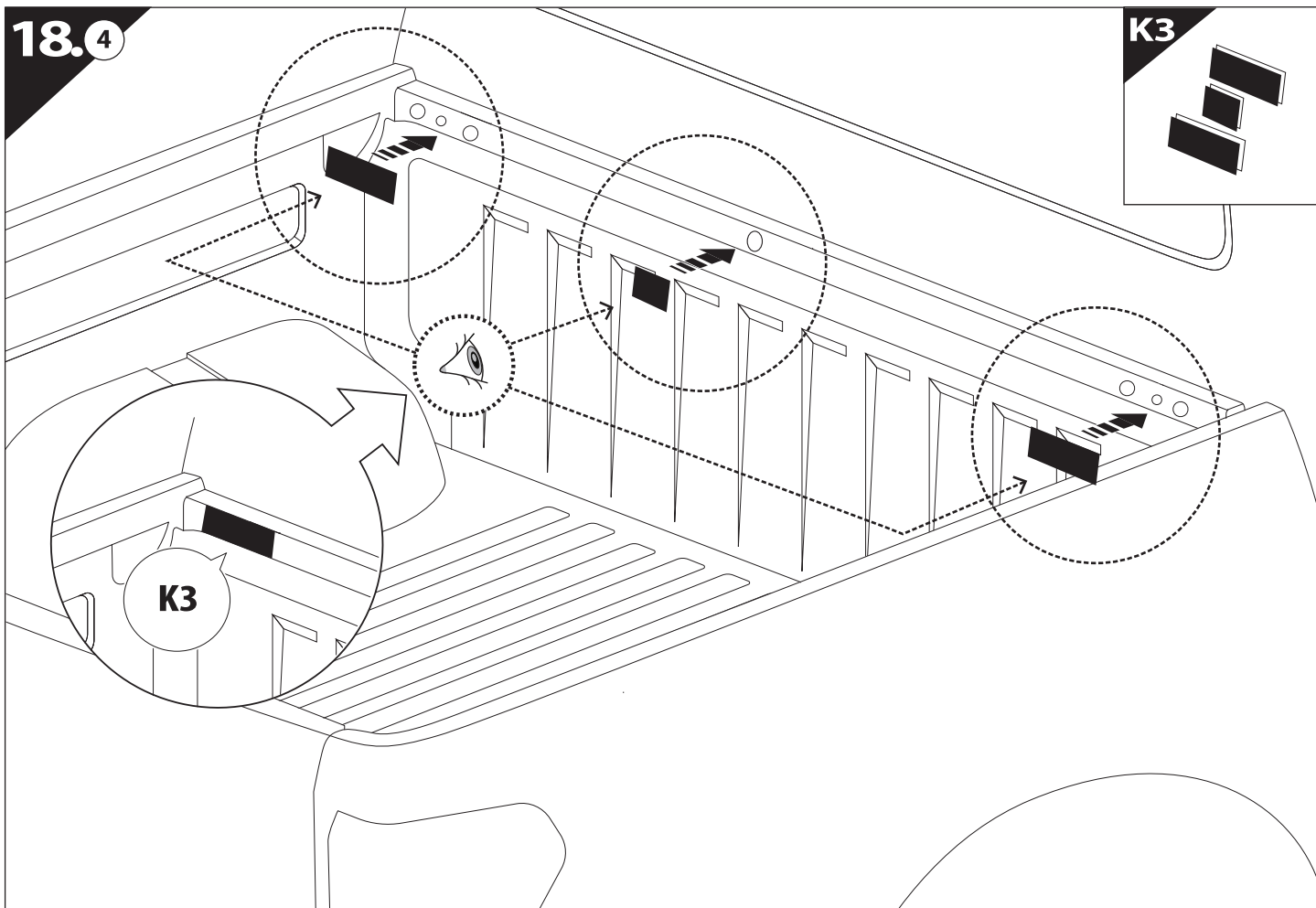






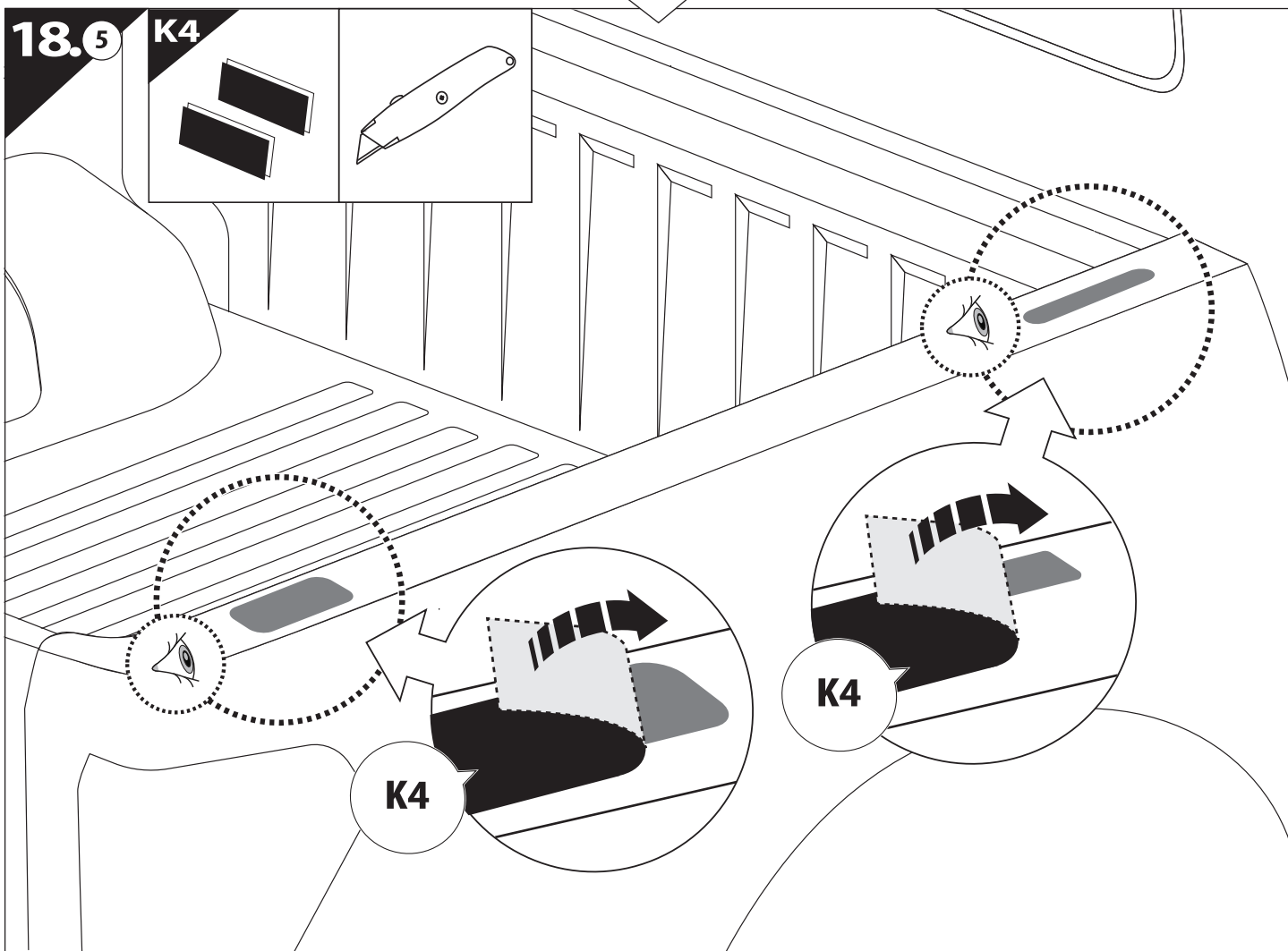
18.4

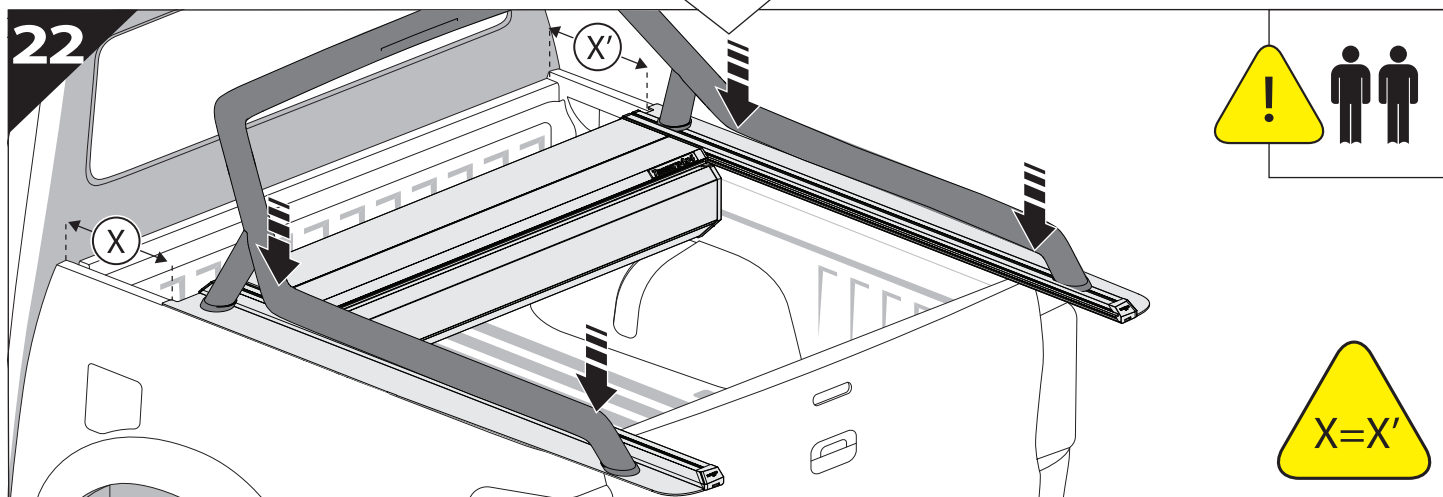
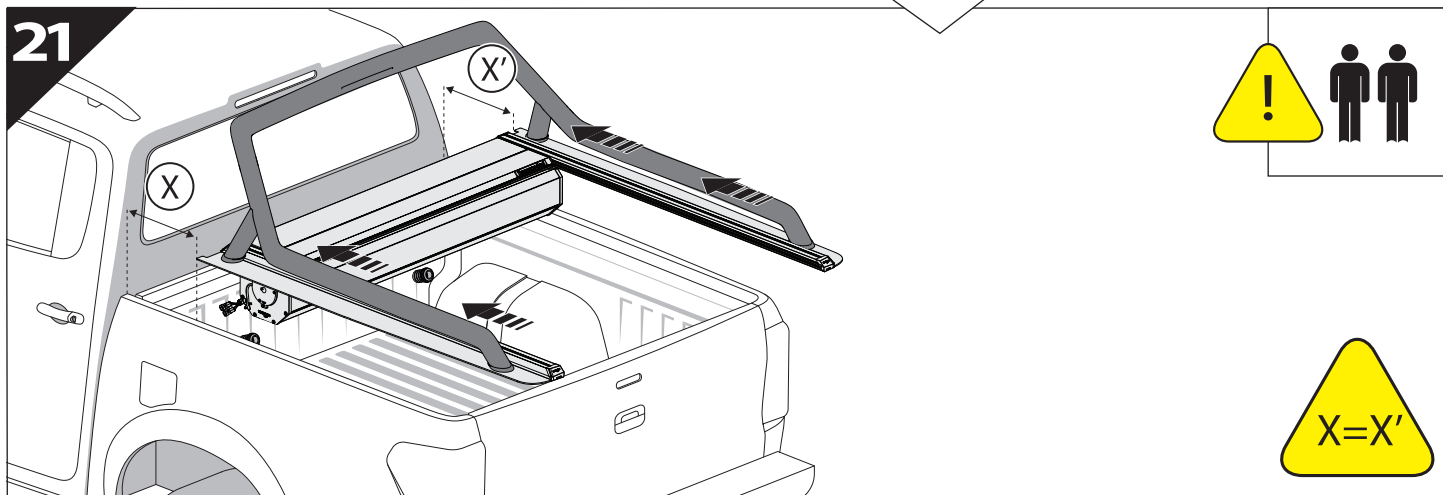
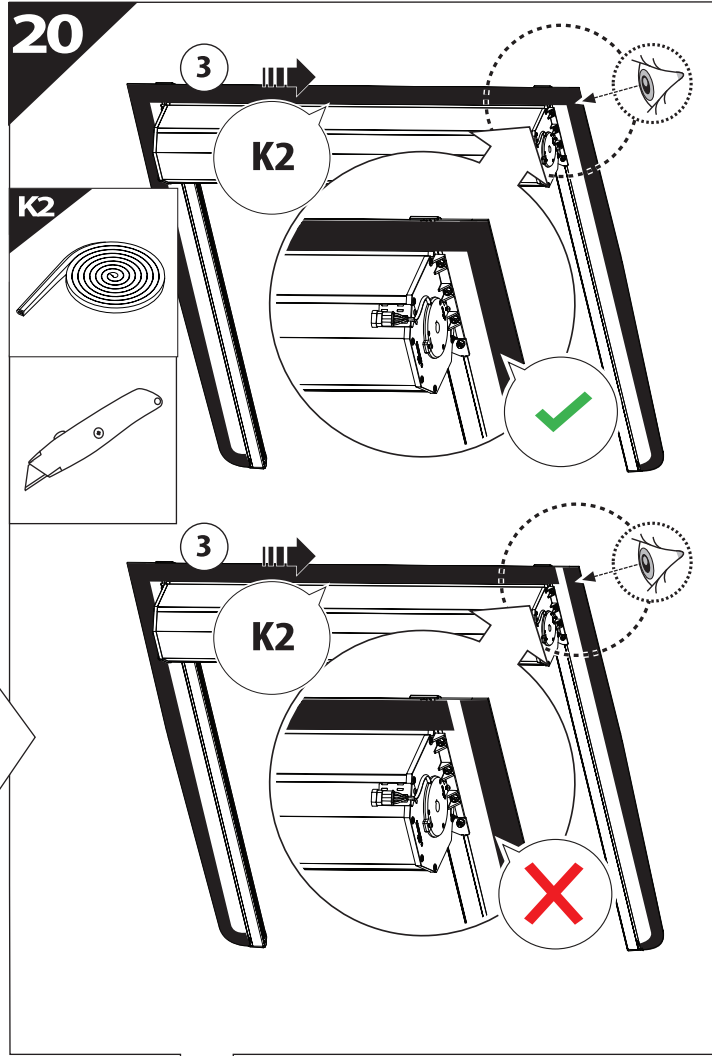
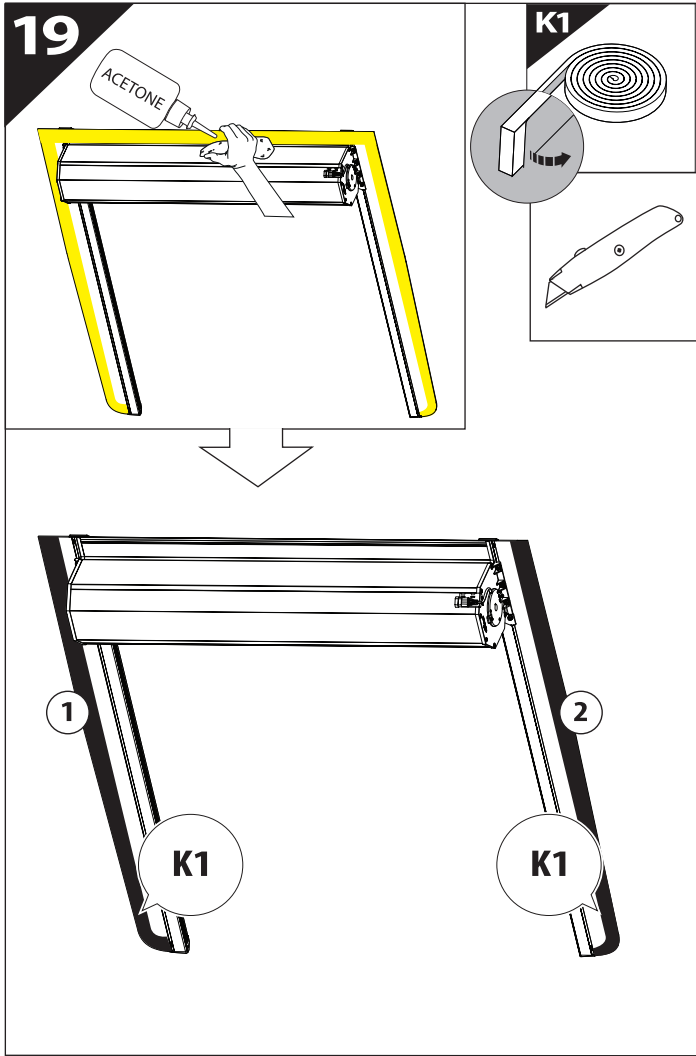
K3



18.5

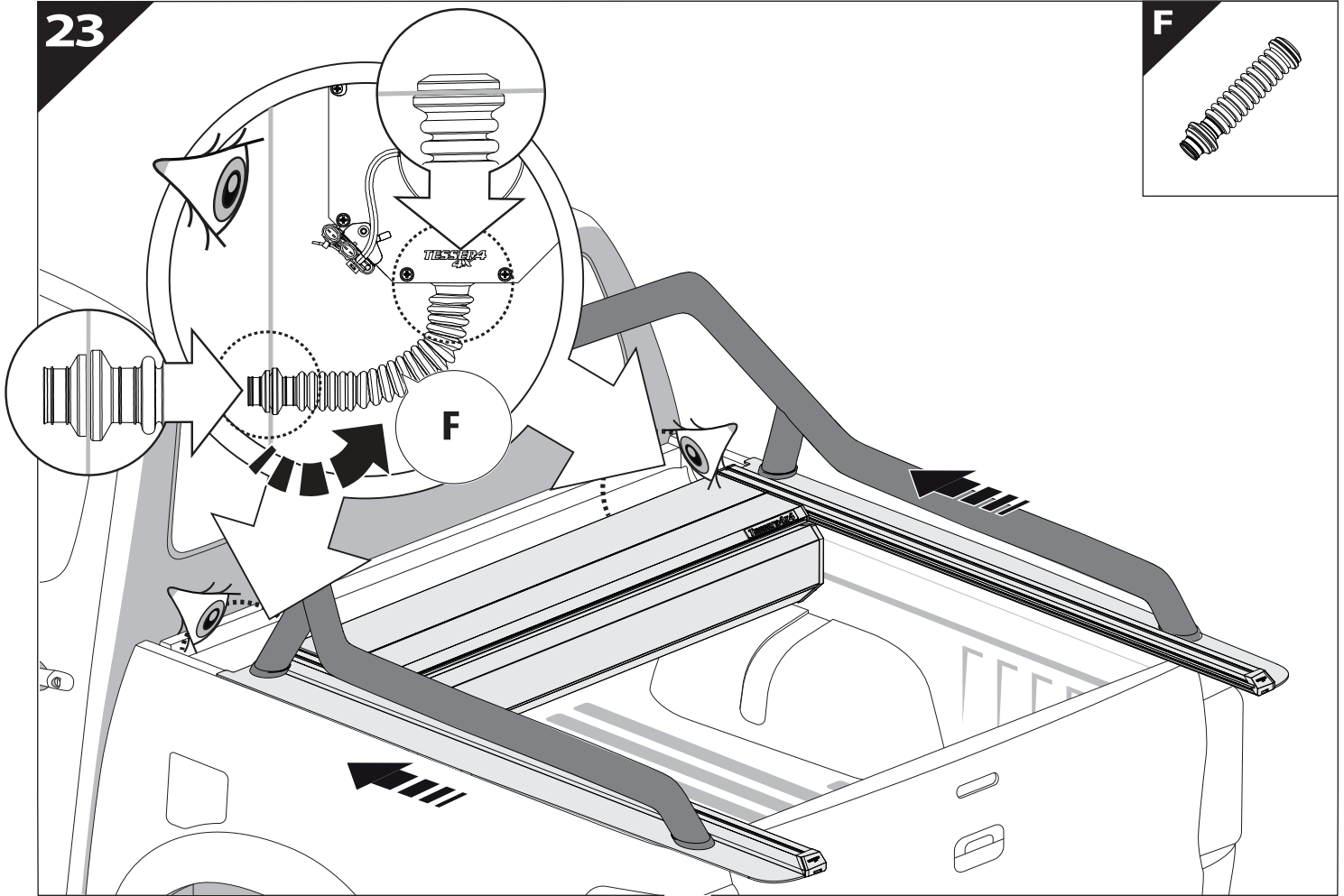
K4



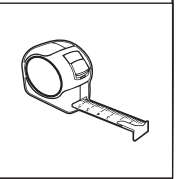
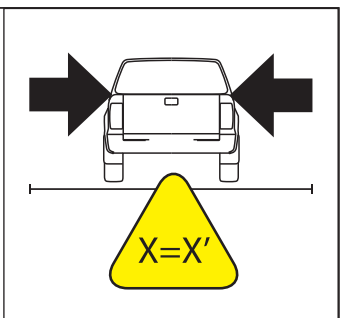
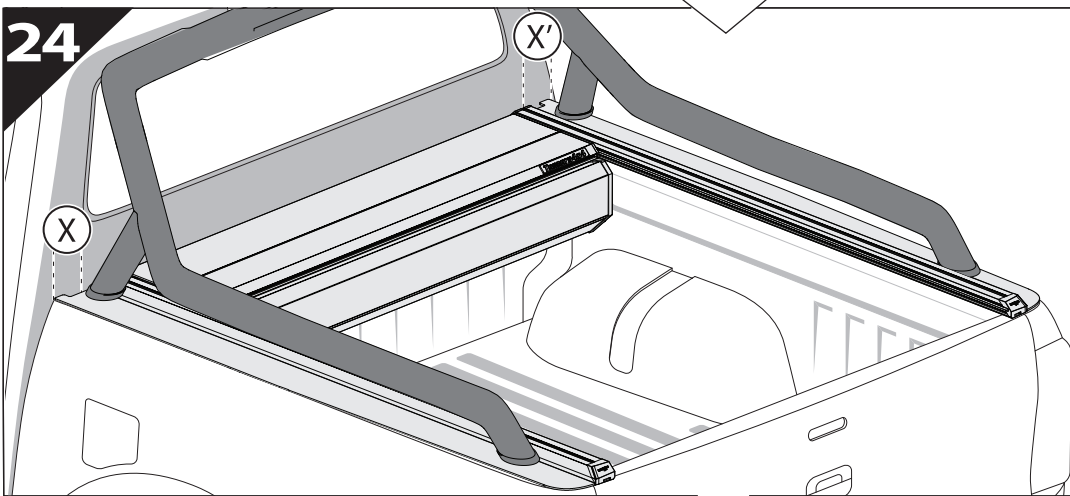


23

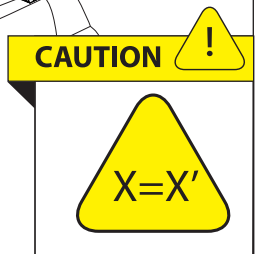
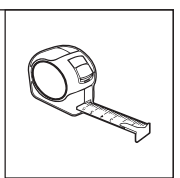
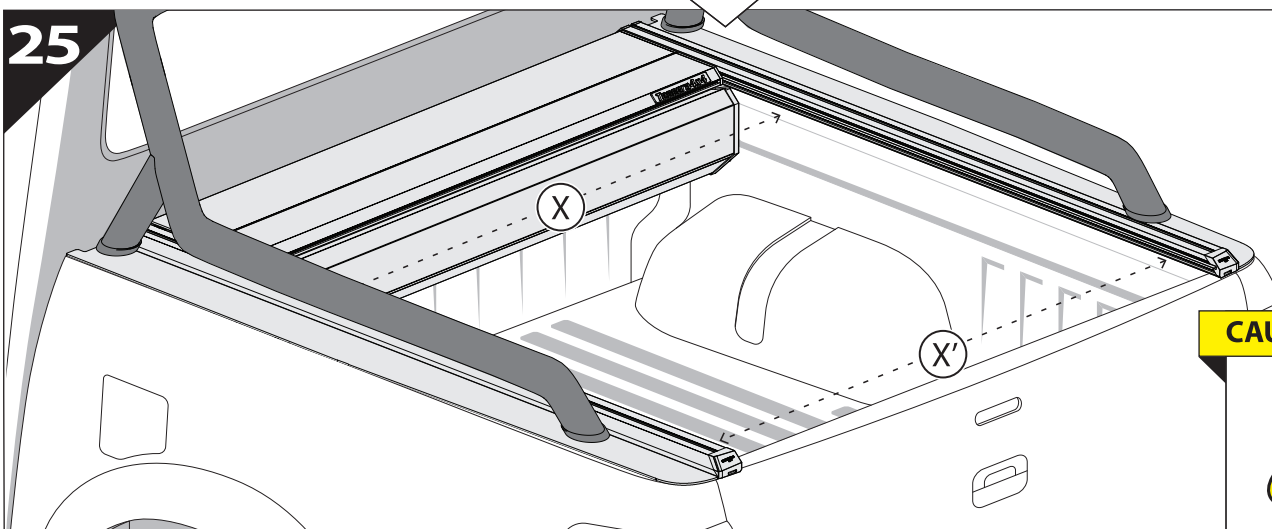
F



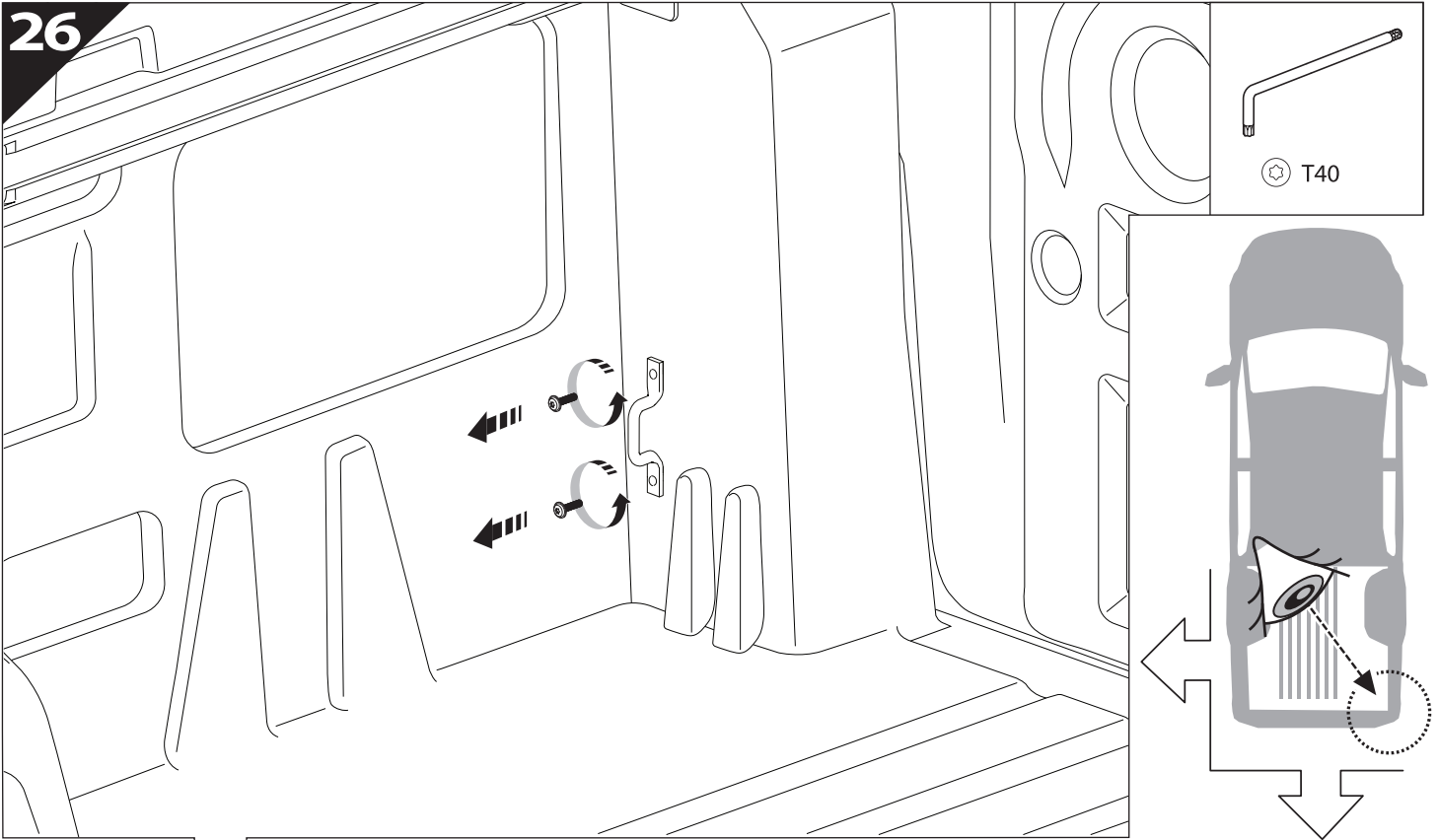
24



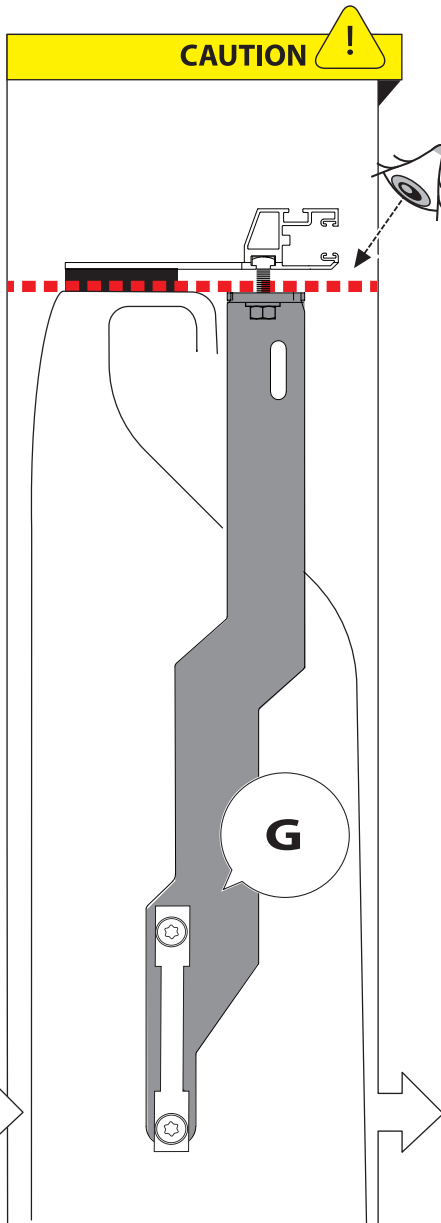
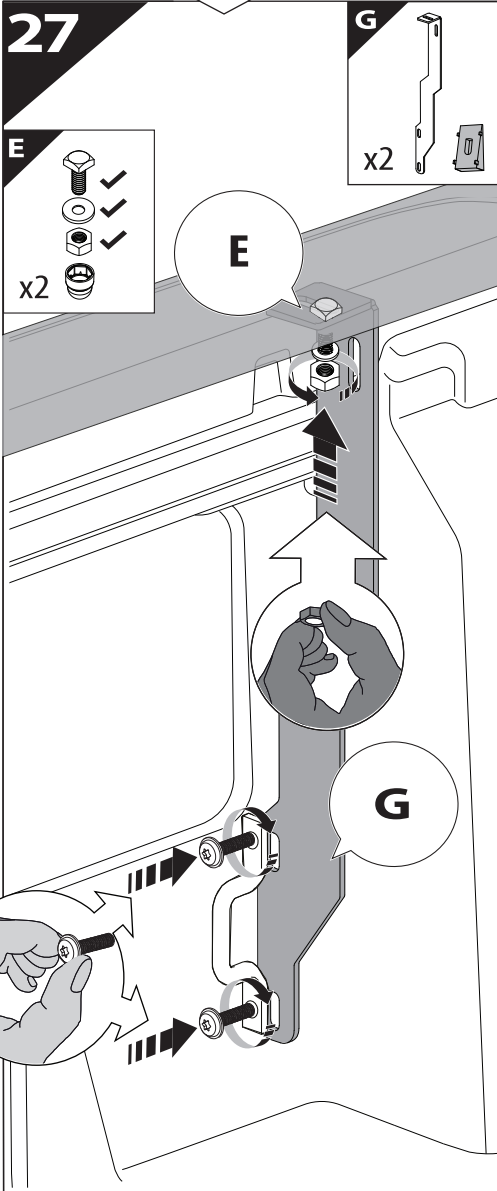
25



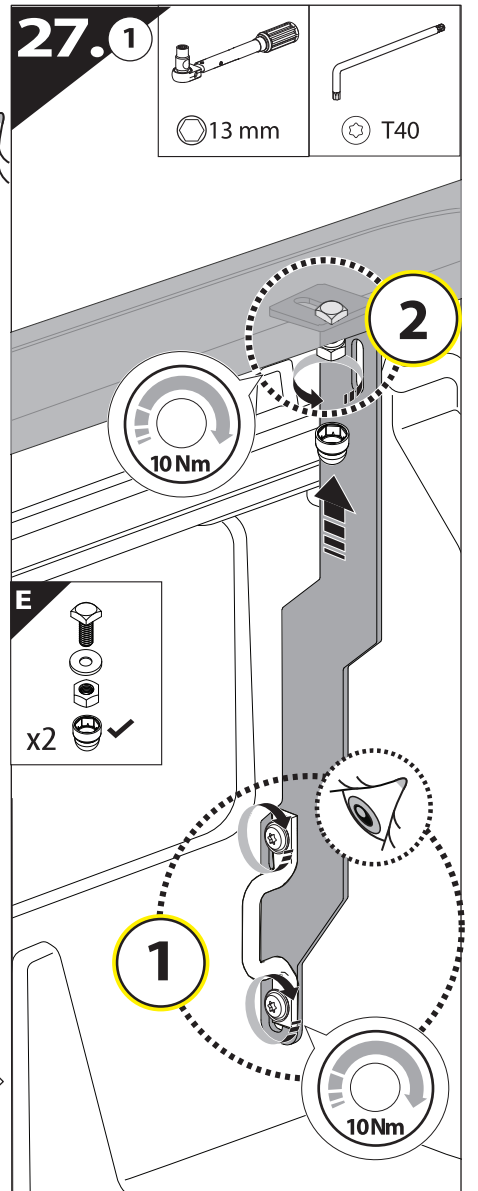
26



27



27.1



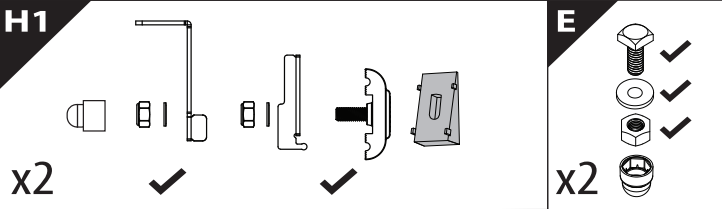
28 A



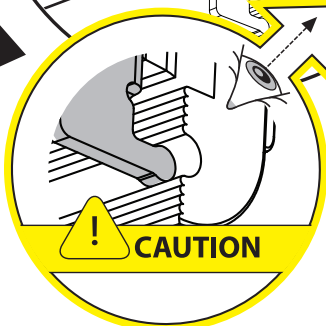
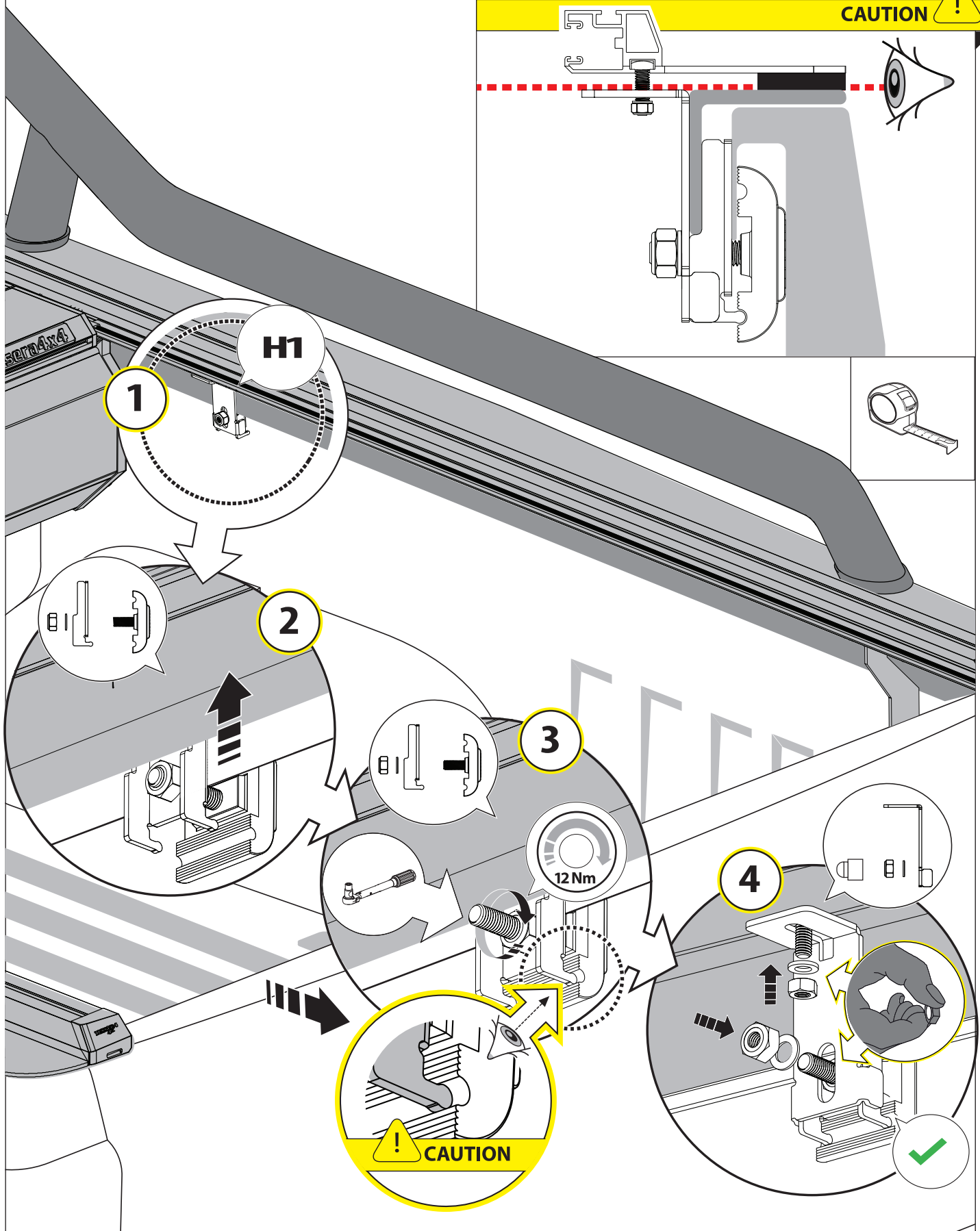
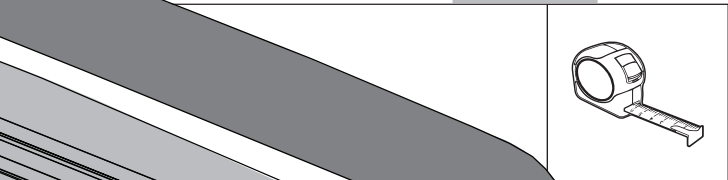
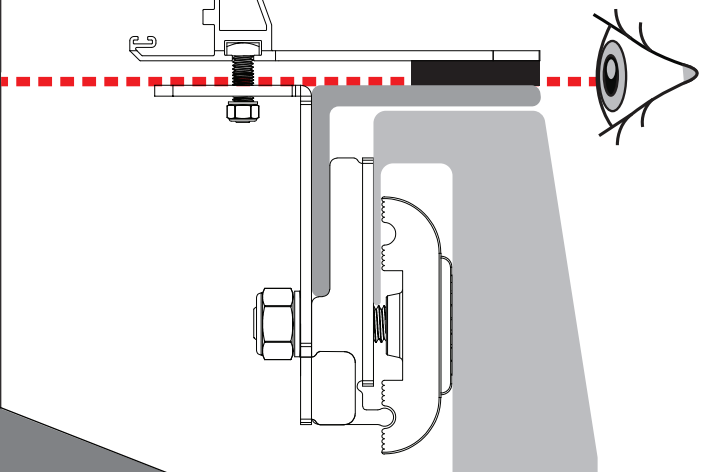
WITHOUT C - CHANNELS

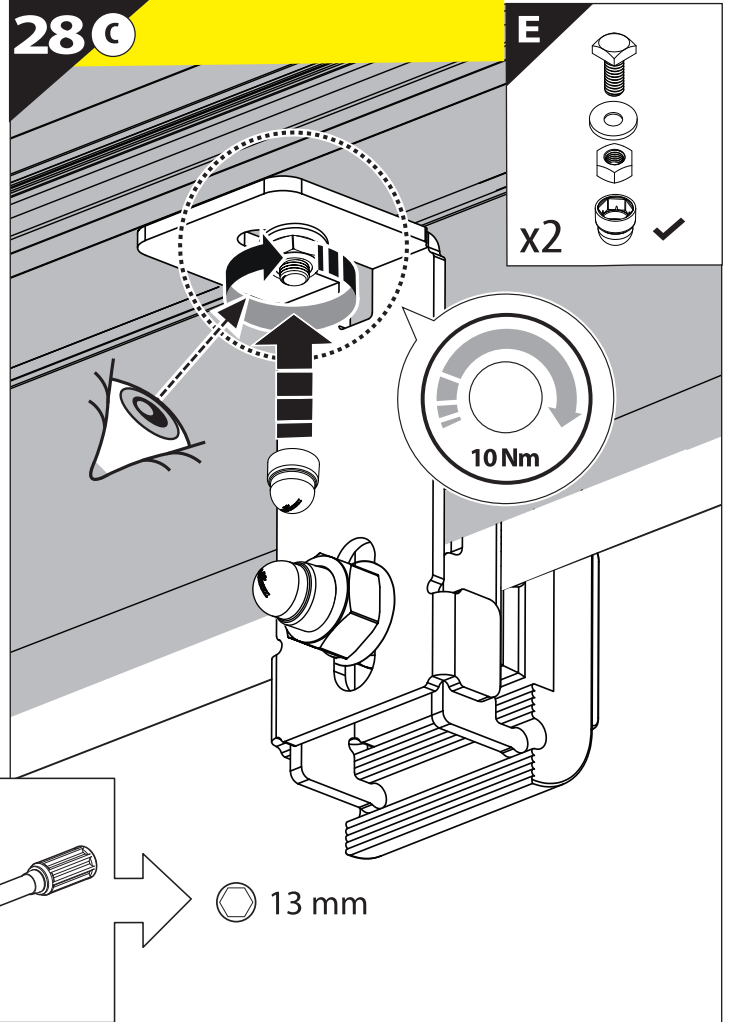
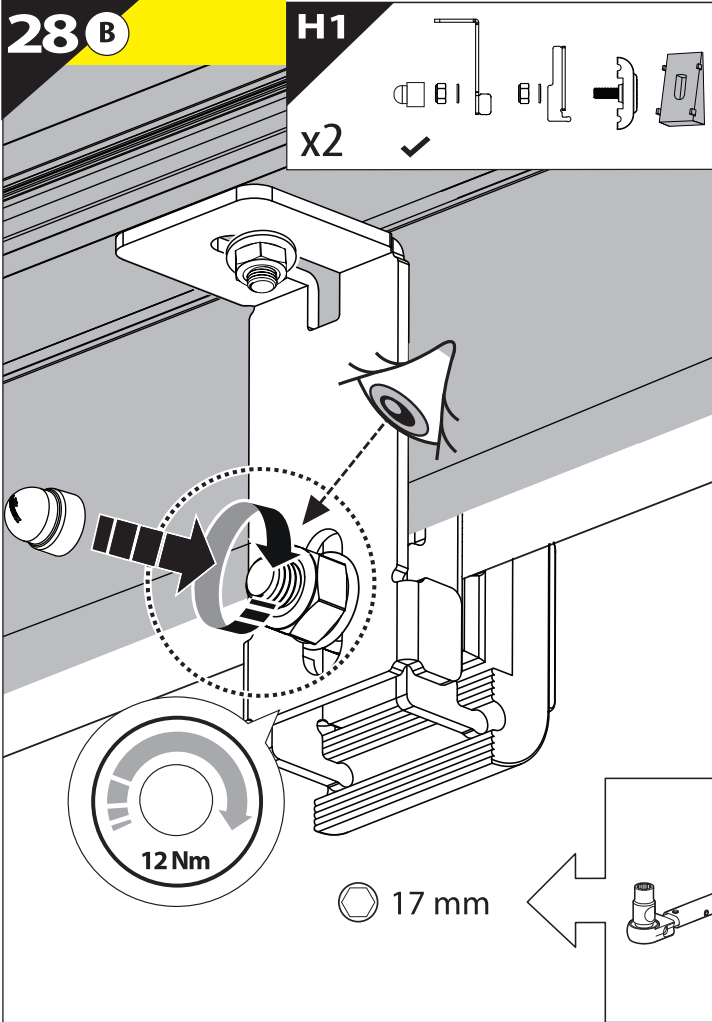
H1

E

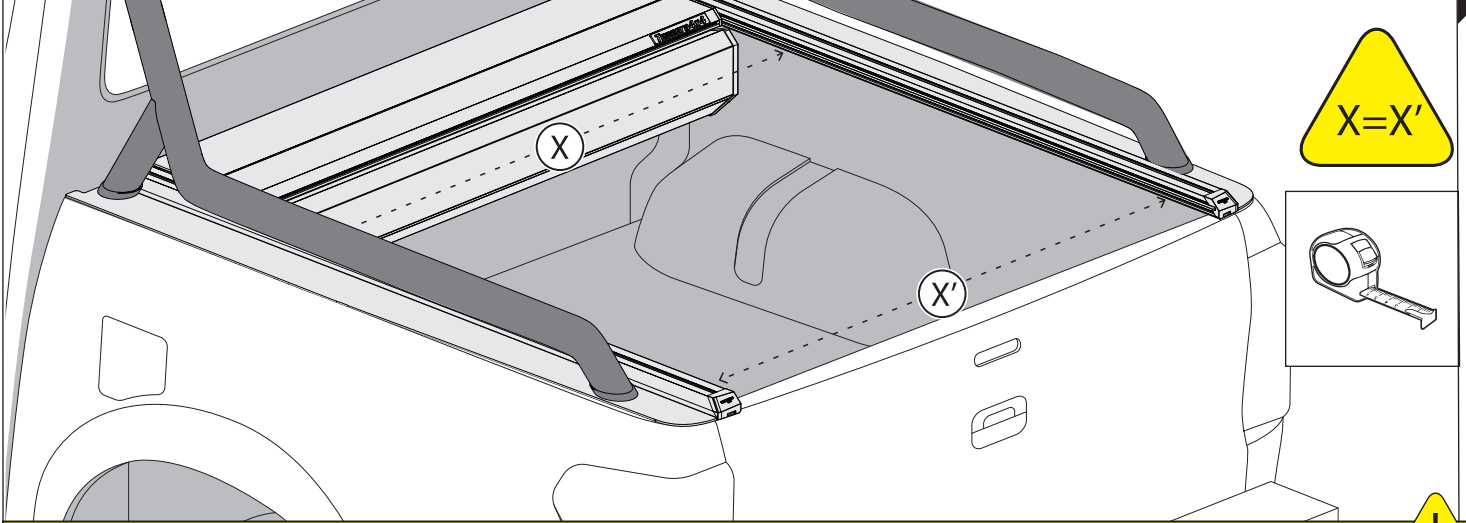


CAUTION !

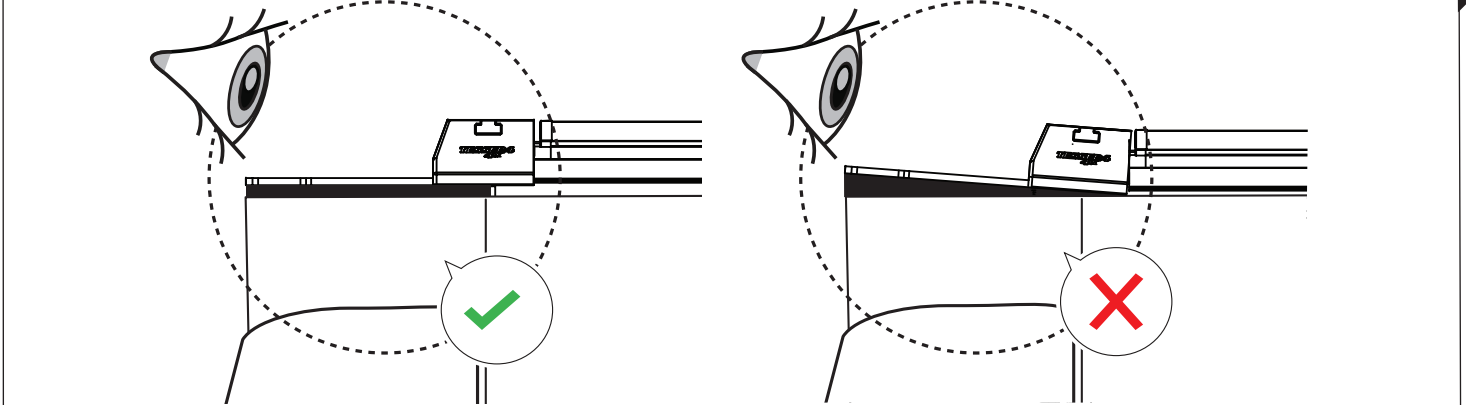




CAUTION !



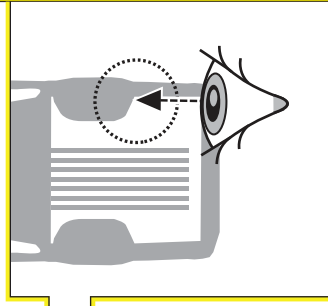
CAUTION !



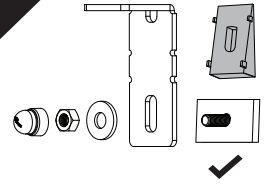
28 A



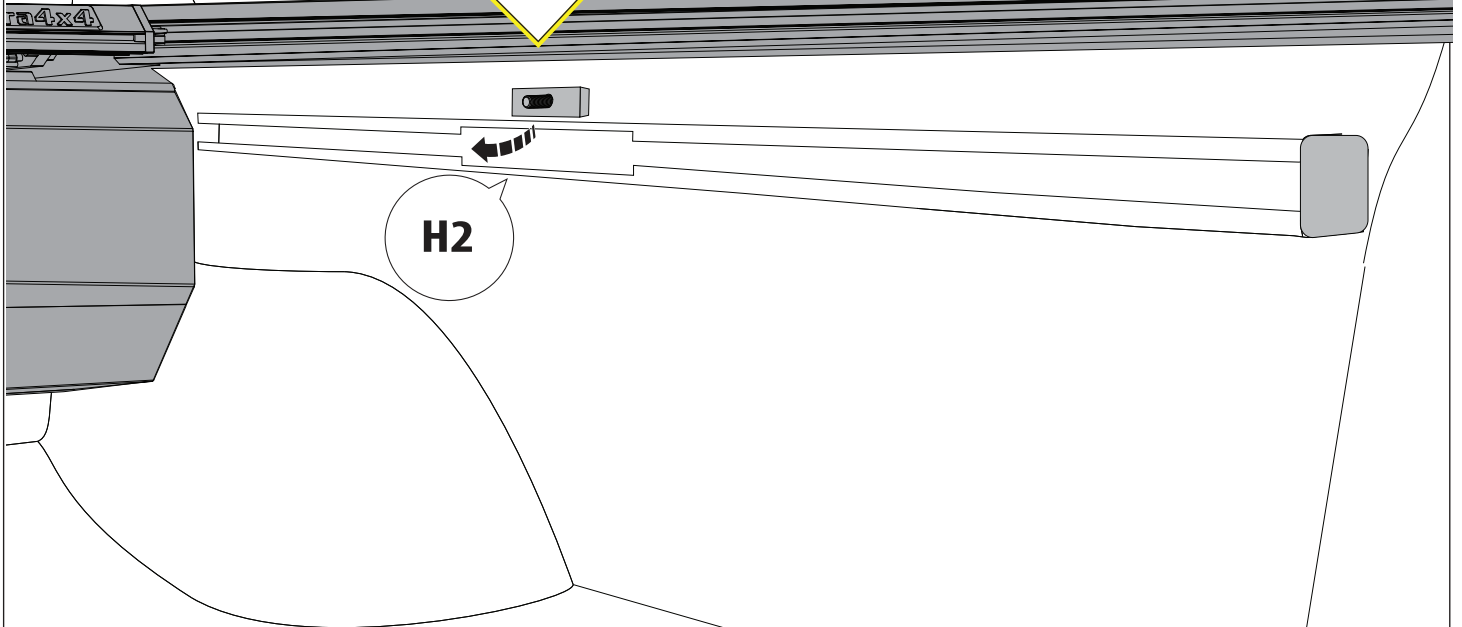
WITH C - CHANNELS



H2



x2

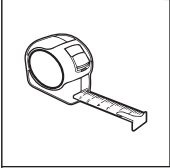
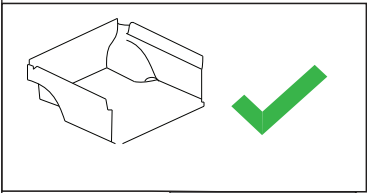
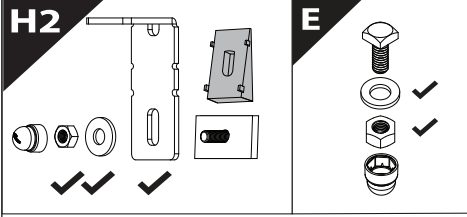


28 B

CAUTION !

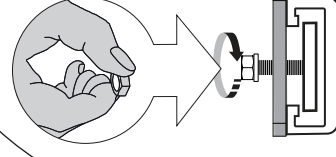
H2

E



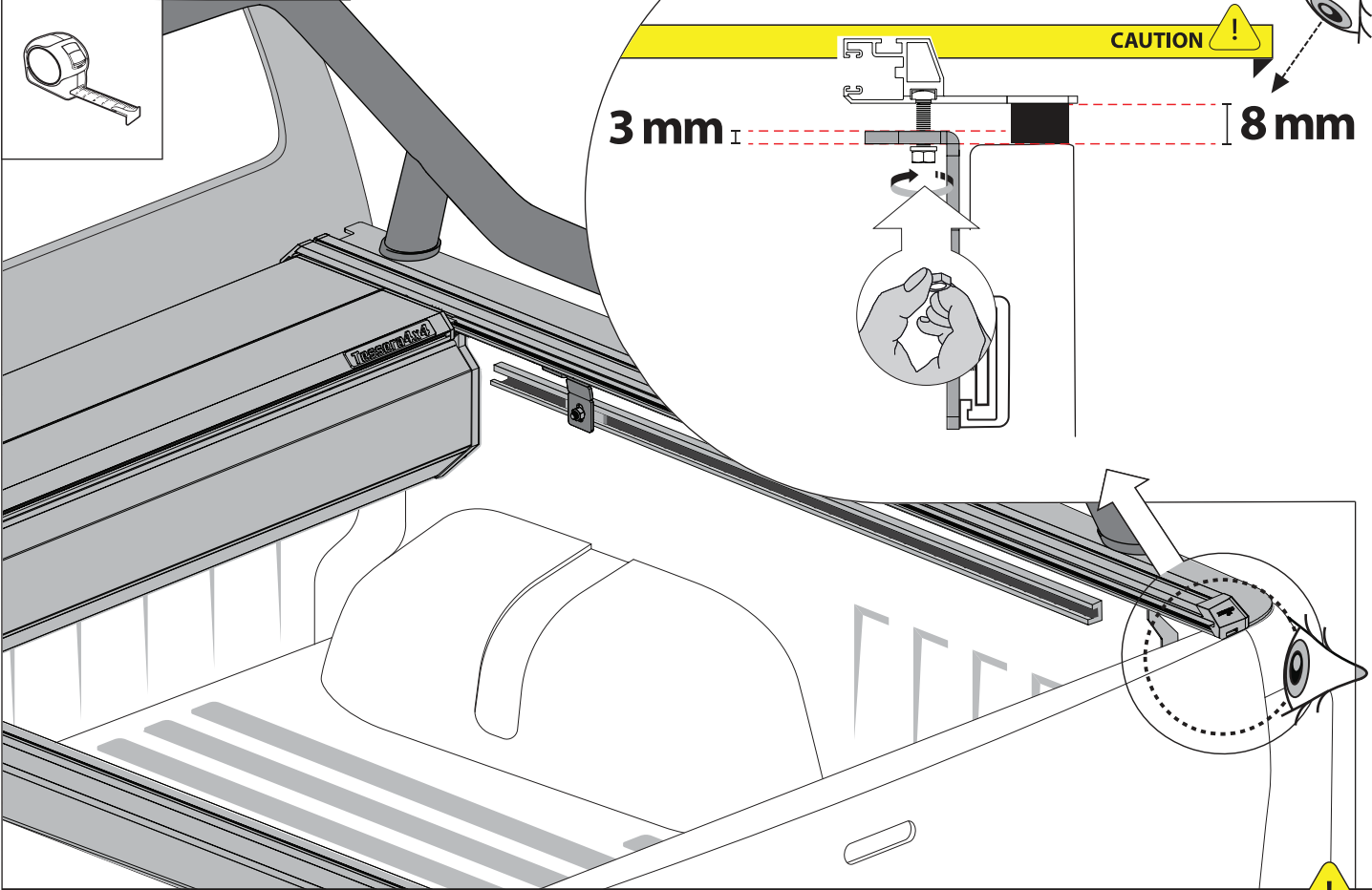
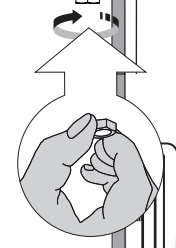
3 mm I

8 mm

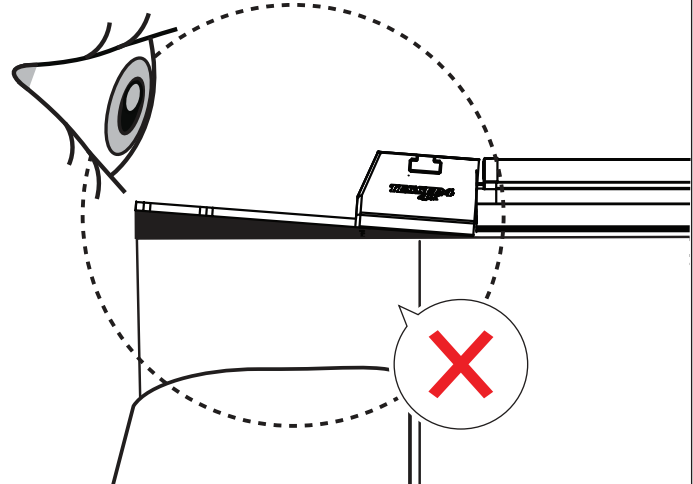
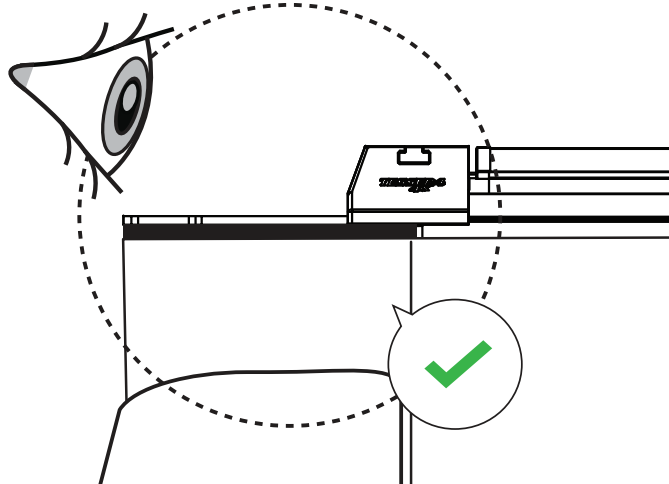


3 mm I

8 mm

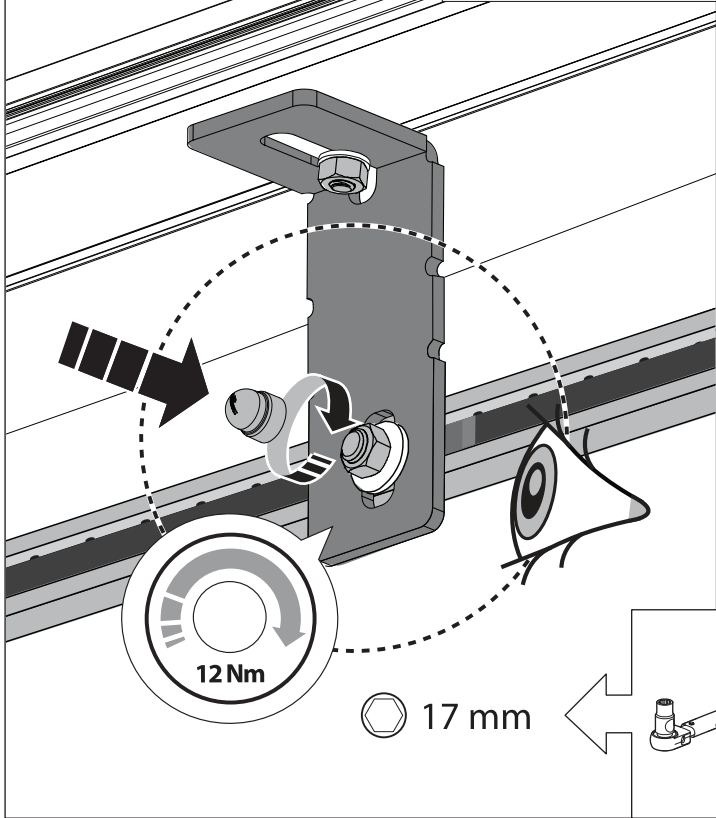
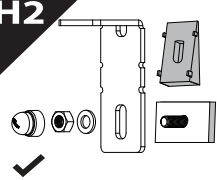


CAUTION !

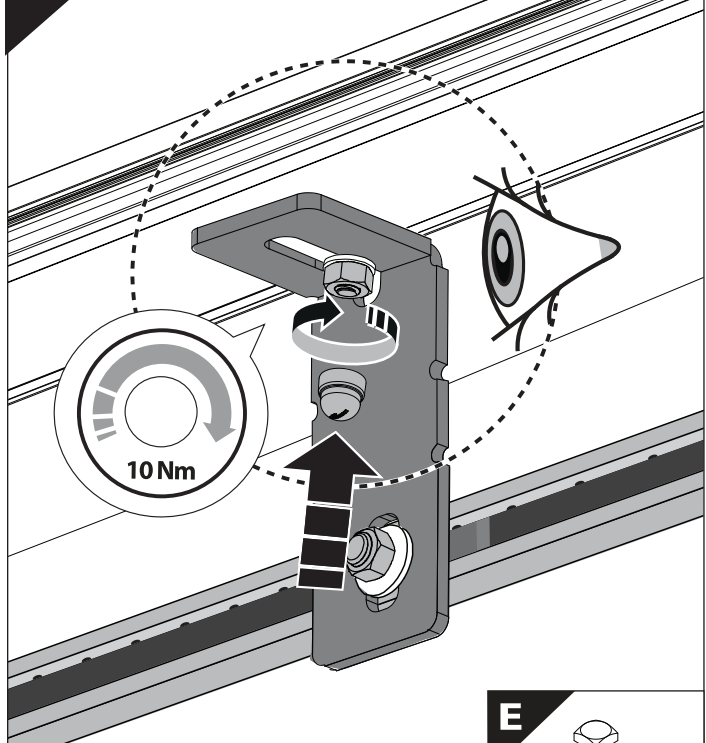


28 C

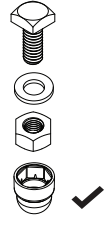
H2



28 D



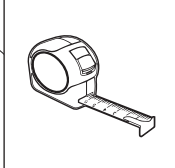
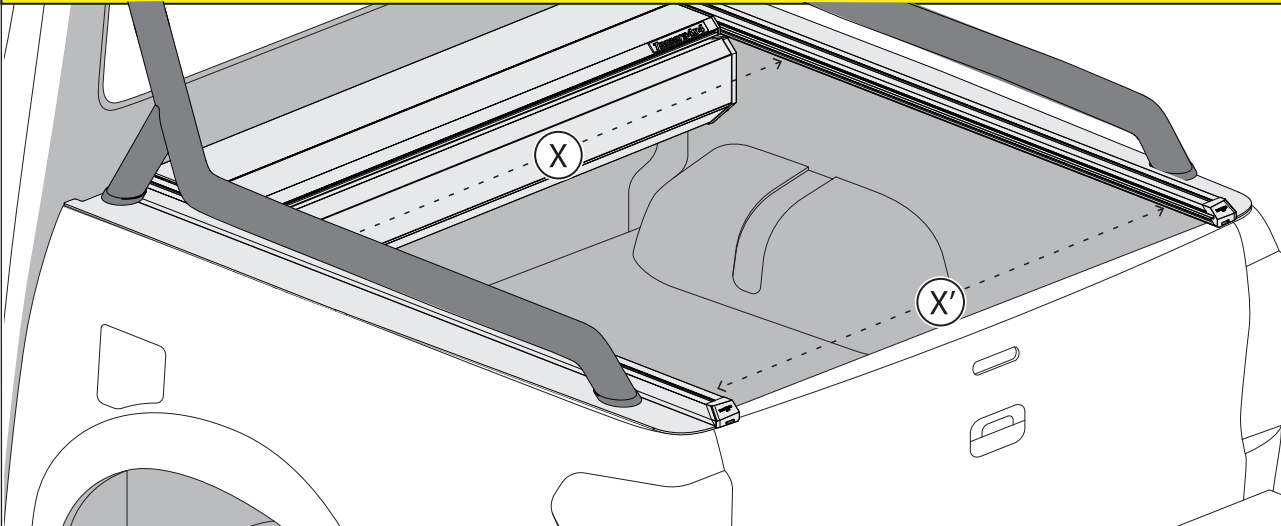
E



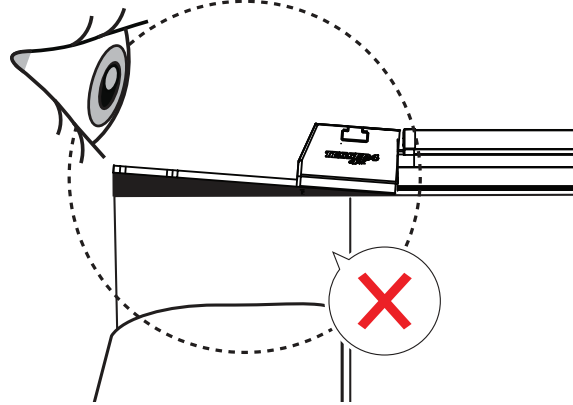
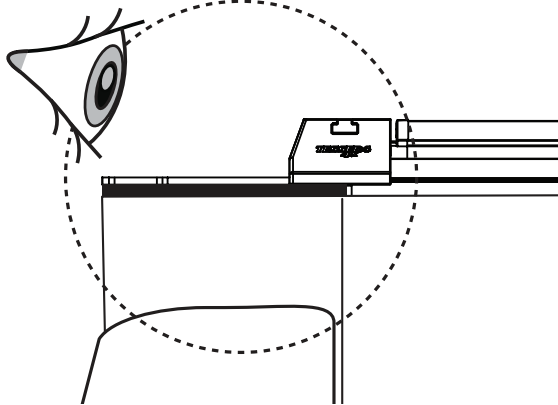
17 mm

13 mm

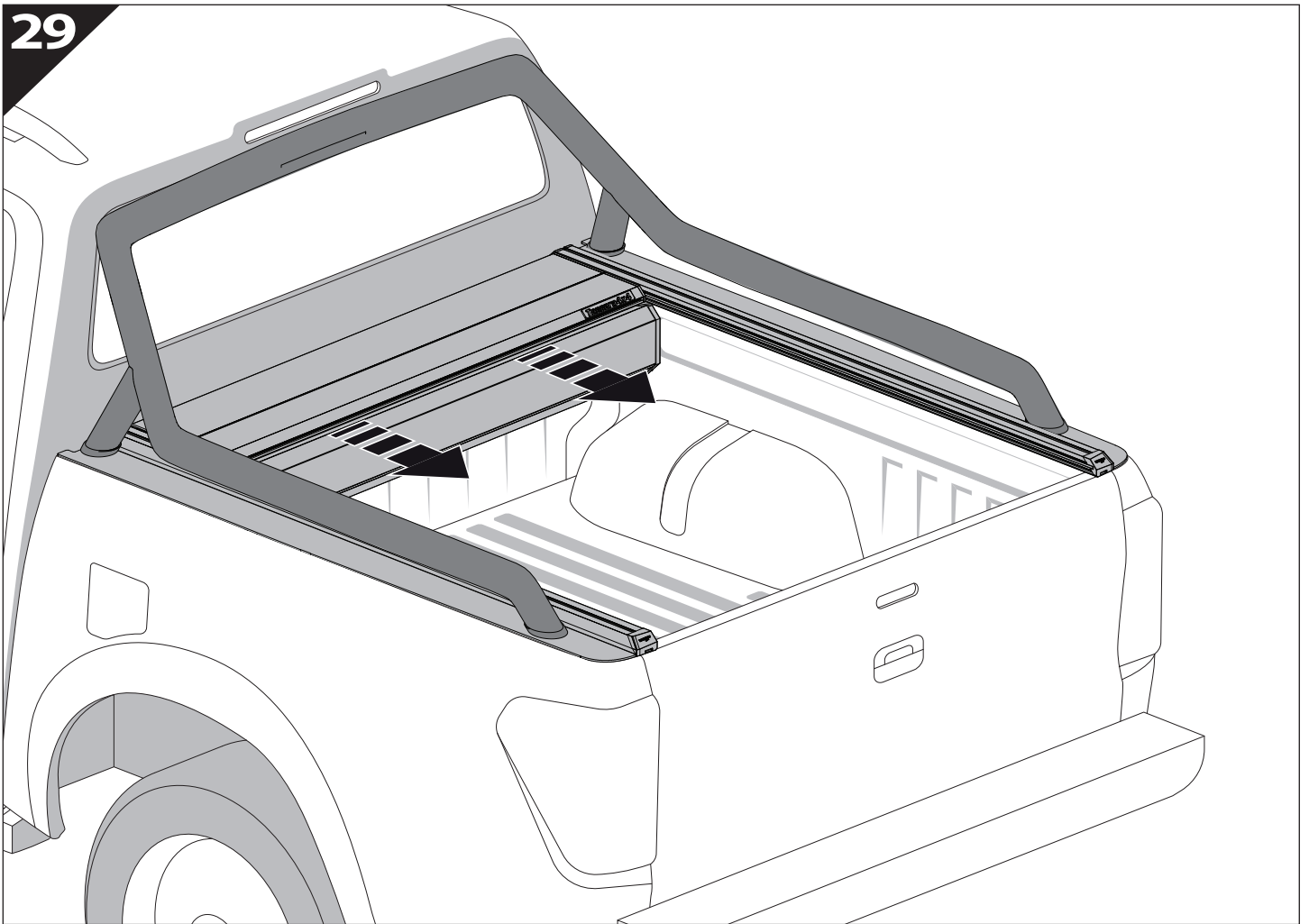
CAUTION !



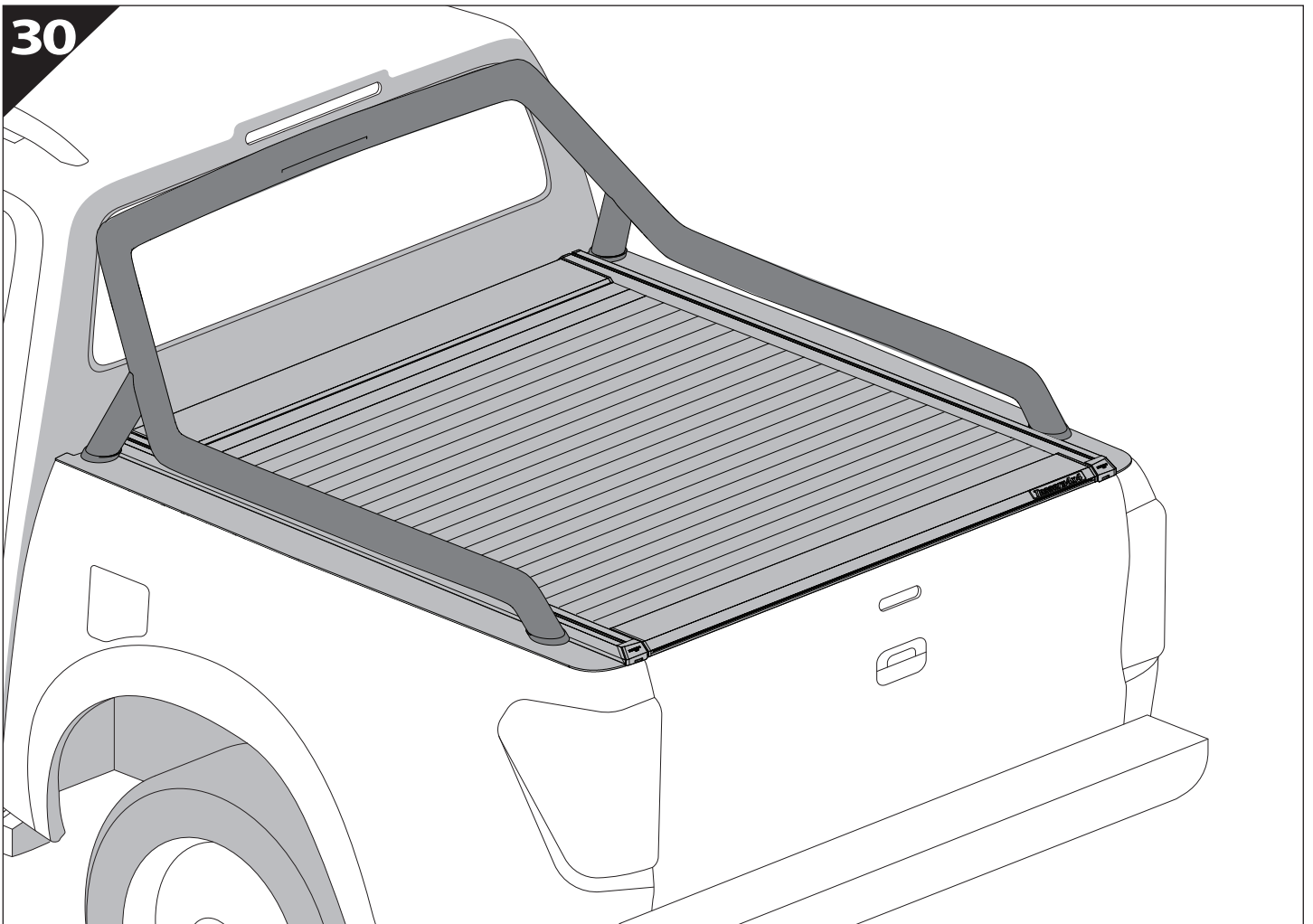
CAUTION !



29



30





GR: Οδηγίες Εγκατάστασης
GB: Installation manual
SF: Asennusohje
F: Notice de montage
PL: Instrukcja montażu
NL: Installatie-instructies
TR: Montaj Talimatı
S: Monteringsanvisning
E: Instrucciones de montaje

H: Szerelési utasítás
P: Instruções de instalação
RUS: Инструкция по установке
N: Monteringsveiledning
D: Einbauanleitung
CZ: Návod k instalaci
I: Istruzioni de montaggio
DK: Monteringsvejledning
RO: Instructiuni de instalare

Customer Service:

+30 (210) 5541161, +30 (210) 5541154 (08:00 - 16:00 EET)

Support department:

info@gianso.gr

Website:

www.tessera4x4.com

Address:

19.5 km of National road Athens-Korinthos (Elefsina) Greece, P.C: 19200