



VR EVO 10 and 10-S

10,000 lb. Capacity—The Perfect Blend of Speed and Power

Ideal weight capacity and line speed for 1/2-ton pickups, Jeeps, and larger SUVs. The VR EVO 10 and 10-S feature IP68-rated waterproof construction, an ultra-reliable Albright® contactor inside a relocatable control pack, and a state-of-the-art, two-in-one remote for added ease of use and versatility. With its fast line-speed and lower amp draw, the VR EVO series of winches are the hardest-working standard-duty winches we've ever made, with tactical styling that looks great up front and at a price that won't pull you out of your budget.

- A powerful series-wound motor and planetary gear train deliver faster line speed under load, with lower amp draw
- IP68-rated waterproof winch construction keeps the elements out
- High-performance Albright contactor delivers maximum reliability
- Control packs can be relocated for low-profile installations
- Durable, one-piece cast-aluminum tie-plate for added strength and durability
- Two-in-one remote with wired AND wireless options for ease of use and versatility
- Available with wire or synthetic rope
- Limited lifetime warranty for mechanical parts and 7 years on the electrical
- Designed, engineered, and tested by WARN engineers in the U.S.A.



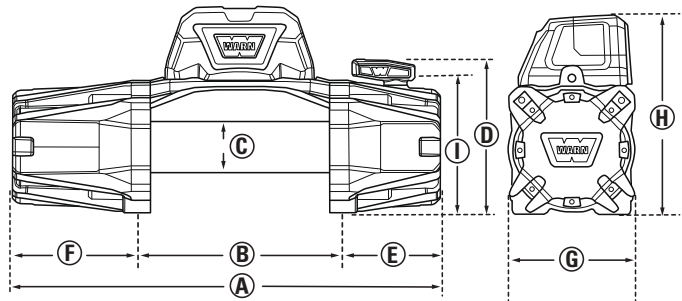


SPECIFICATIONS

Winch Model: VR EVO 10, VR EVO 10-S
Parts Numbers: 103252 (VR EVO 10), 103253 (VR EVO 10-S)
Rated Line Pull: 10000 lbs. (4536 kg)
Motor: 12V DC, series wound
Electrical Controls: Albright Contactor
Remote Control: 2-in-1 plug-in remote with wireless capability and 11.5' (3.5m) lead
Gear Train: 3-stage planetary
Gear Ratio: 218:1
Clutch (freespooling): Rotating ring gear clutch
Brake: Spring Brake
Drum Diameter/ Length: Steel and Synthetic: 2.5"/9.0" (6.73cm/23cm)
Weight:
Shipping Steel: 91.93 lbs. (41.7 kg)
Shipping Synthetic: 72.40 lbs. (32.84 kg)
Net Product Steel: 74.74 lbs. (33.9 kg)
Net Product Synthetic: 55.20 lbs. (25.04 kg)
Rope:
Steel: .354" x 90' (9mm x 27.4m)
Synthetic: 3/8" x 90' (9.5mm x 27.4m)
Fairlead: Steel: Roller, Synthetic: Die Cast Hawse
Recommended Battery: 650 CCA min. for winching
Battery Leads: 0.98" x 6.5' (25mm x 2m)
Finish: Powder coating over primer undercoating
Warranty: Limited lifetime

12V DC performance specs (first layer of drum)

Line Pull Lbs. (Kg)	Line Speed Ft./min. (M/min.)	Motor Current	Pull by layer: layer/Lbs (Kg)
0	27.1 (8.3)	58 amps	1/10000 (4536)
2000 (910)	13.9 (4.2)	125 amps	2/7996 (3627)
4000 (1810)	9.9 (3.0)	185 amps	3/6661 (3021)
6000 (2720)	8.2 (2.5)	244 amps	4/5708 (2589)
8000 (3630)	6.5 (2.0)	303 amps	5/4993 (2265)
10000 (4536)	5.2 (1.6)	358 amps	



A 21.02" (534mm)	D 7.5" (191.4mm)	G 6.3" (160.5mm)
B 10" (254mm)	E 4.84" (123mm)	H 10.08" (256mm)
C 2.54" (64mm)	F 6.18" (157mm)	I 6.79" (172.4mm)

Winch Dimensions: 21" L x 6.3" D x 10.1" H
 (534mm L x 160.5mm D x 256mm H)

Mounting Bolt Pattern: 10.0" x 4.5" (254mm x 114.3mm)

Warn Industries, Inc.
 12900 S.E. Capps Road,
 Clackamas, OR USA 97015-8903



Customer Service (North America):
1-800-543-9276

International Sales Support:
+1 503 722 1200

warn.com