



VR EVO 8 and 8-S

8,000 lb. Capacity—Fast, Efficient and Reliable Pulling Power

Ideal on 2-door Jeeps and lighter SUVs for everyday pulls and getting yourself out of trouble. The VR EVO 8 and 8-S feature IP68-rated waterproof construction, an ultra-reliable Albright® contactor inside a relocatable control pack, and a state-of-the-art, two-in-one remote for added ease of use and versatility. With its fast line-speed and lower amp draw, the VR EVO series of winches are the hardest-working standard-duty winches we've ever made, with tactical styling that looks great up front and at a price that won't pull you out of your budget.

- A powerful series-wound motor and planetary gear train deliver faster line speed under load, with lower amp draw
- IP68-rated waterproof winch construction keeps the elements out
- High-performance Albright contactor delivers maximum reliability
- Control packs can be relocated for low-profile installations
- Durable, one-piece cast-aluminum tie-plate for added strength and durability
- Two-in-one remote with wired AND wireless options for ease of use and versatility
- Available with wire or synthetic rope
- Limited lifetime warranty for mechanical parts and 7 years on the electrical
- Designed, engineered, and tested by WARN engineers in the U.S.A.





SPECIFICATIONS

Winch Model: VR EVO 8, VR EVO 8-S

Parts Numbers: 103250 (VR EVO 8), 103251 (VR EVO 8-S)

Rated Line Pull: 8000 lbs. (3629 kg)

Motor: 12V DC, series wound

Electrical Controls: Albright Contactor

Remote Control: 2-in-1 plug-in remote with wireless capability and 11.5' (3.5m) lead

Gear Train: 3-stage planetary

Gear Ratio: 218:1

Clutch (freespooling): Rotating ring gear clutch

Brake: Spring Brake

Drum Diameter/ Length:

Steel and Synthetic: 2.5"/9.0" (6.73cm/23cm)

Weight:

Shipping Steel: 83.53 lbs. (37.89 kg)

Shipping Synthetic: 72.40 lbs. (32.84 kg)

Net Product Steel: 66.34 lbs. (30.09 kg)

Net Product Synthetic: 55.20 lbs. (25.04 kg)

Rope:

Steel: 5/16" x 90' (8mm x 27.4m)

Synthetic: 3/8" x 90' (9.5mm x 27.4m)

Fairlead: Steel: Roller, Synthetic: Die Cast Hawse

Recommended Battery: 650 CCA min. for winching

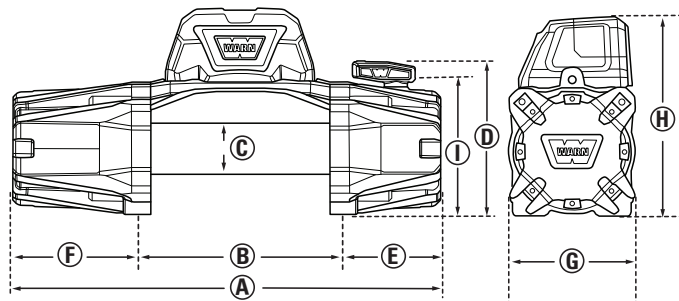
Battery Leads: 0.98" x 6.5' (25mm x 2m)

Finish: Powder coating over primer undercoating

Warranty: Limited lifetime

12V DC performance specs (first layer of drum)

Line Pull Lbs. (Kg)	Line Speed Ft./min. (M/min.)	Motor Current	Pull by layer: layer/Lbs (Kg)
0	24.8 (7.6)	57 amps	1/8000 (3630)
2000 (910)	13.1 (4.0)	122 amps	2/6545 (2969)
4000 (1810)	9.6 (2.9)	183 amps	3/5538 (2512)
6000 (2720)	7.6 (2.3)	242 amps	4/4800 (2177)
8000 (3630)	6.0 (1.8)	298 amps	



A 21.02" (534mm)	D 7.5" (191.4mm)	G 6.3" (160.5mm)
B 10" (254mm)	E 4.84" (123mm)	H 10.08" (256mm)
C 2.54" (64mm)	F 6.18" (157mm)	I 6.79" (172.4mm)

Winch Dimensions: 21" L x 6.3" D x 10.1" H
(534mm L x 160.5mm D x 256mm H)

Mounting Bolt Pattern: 10.0" x 4.5" (254mm x 114.3mm)

Warn Industries, Inc.
12900 S.E. Capps Road,
Clackamas, OR USA 97015-8903



Customer Service (North America):
1-800-543-9276

International Sales Support:
+1 503 722 1200

warn.com